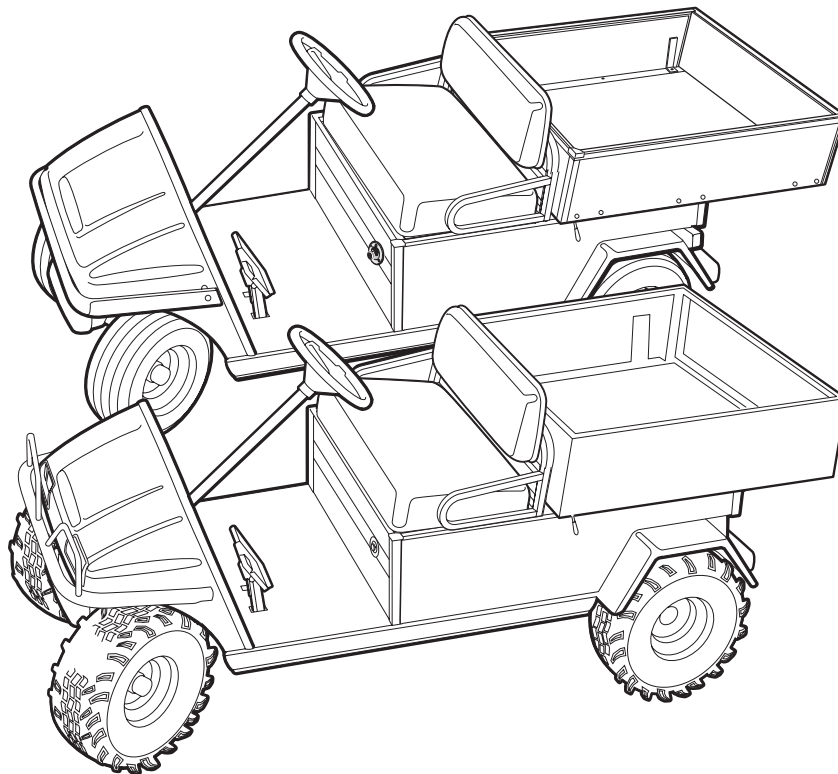




**2007**  
**Turf/Carryall 2, 252, 2 Plus,**  
**and XRT 900**  
**Illustrated Parts List**



**Turf/Carryall 2, 252, 2 Plus, and XRT 900**  
**Gasoline and Electric Vehicles**

Manual Number 103209004  
Edition Code 0107M1114L



# **MASTERS**

## **GOLF & UTILITY VEHICLES**

[www.mastersgolfcarts.com](http://www.mastersgolfcarts.com) - 905-436-0606 - 1-855-226-0606

# USING THE ILLUSTRATED PARTS LIST

---

## **⚠ WARNING**

- **This manual is to be used only for identification and ordering of service parts. Be sure to read and use the maintenance and service manual before attempting any vehicle repairs.**

This manual covers all Turf/Carryall 2, 252, 2 Plus and XRT 900 vehicles built during the 2007 model year.

The manual is divided into sections. Note that there are two or three flags on the outside edge of each page. The first flag contains the section number of which that page is a part. The other flag (or flags) contains the letter G or E, signifying that the page pertains to the electric or gasoline vehicles only.

Use the Table of Contents to find the sections and pages that contain the parts and assemblies you seek. The Table of Contents lists section numbers, and under them, the individual page titles and numbers to be found in that section. The index can be used to find specific parts and assemblies. The index is divided into numerical and alphabetical listings with the page numbers in italic text.

There is a two-page spread for each individual page title in the Table of Contents. On the left-hand page is an illustration showing the parts in their relative positions; the parts are each tagged with an item number in a balloon. The right-hand page is the parts list page, and gives the page title at the top, then the item numbers (corresponding to the numbers on the illustration), part descriptions, and quantity of parts used.

Note that a part description may be indented. This indention corresponds to a parts assembly level indicated by the numbers 1, 2, 3, and 4 at the top left corner of the parts description area of the parts list page. A part that is indented to *level 2* is a component of the *level 1* part (assembly) that it is listed under. A *level 3* part is a component of the *level 2* part that it is listed under, and a *level 4* part is a component of the *level 3* part preceding it. In each case, the part quantity given for a level 2, 3, or 4 part is the *quantity used per next higher level assembly of which it is a component*. A part that is not indented is a *level 1* part. This means that the quantity given is the quantity used per the portion of the vehicle illustrated on that particular spread.

## **HOW TO ORDER PARTS**

Replacement parts and accessories can be obtained from our network of authorized dealers and distributors. You can obtain the name and phone number of your closest authorized Club Car dealer or distributor by visiting our web site at [www.clubcar.com](http://www.clubcar.com) and clicking on the "Distributor Search" link or by calling our toll-free Service Parts and Technical Assistance hotline at (800) 872-2246 or (706) 863-3000, extension 3887.



**P. O. Box 204658**  
**Augusta, Georgia 30917-4658 USA**  
**Telephone 706-863-3000**  
**Service Parts Fax 706-855-7413**  
**[www.clubcar.com](http://www.clubcar.com)**

**NOTE:** *This illustrated parts list represents the most current information at the time of publication. Club Car, Inc. is continually working to further improve its vehicles and other products. These improvements may affect the parts used to service the vehicle. Any modification and/or significant change in specifications will be forwarded to all Club Car and Carryall distributors/dealers and will, when applicable, appear in future editions of this illustrated parts list.*

*Club Car, Inc. reserves the right to change specifications and designs at any time without notice and without the obligation of making changes to units previously sold.*

Copyright © 2007, 2014 Club Car, Inc.  
*Club Car* and *ArmorFlex*  
are registered trademarks of Club Car, Inc.  
This manual effective July 31, 2006.

*2007 Turf/Carryall 2, 252, 2 Plus, and XRT 900 Gasoline and Electric Vehicle Illustrated Parts List*

# CONTENTS

---

## SECTION 1 – BODY AND TRIM

---

Front Body and Trim – Turf/Carryall 2 and Carryall 2 Plus .....	1-3
Front Body and Trim – Turf/Carryall 252 and XRT 900 .....	1-5
Dash Pockets and Floormat .....	1-7
Beverage Holder .....	1-9
Seat Bottom .....	1-11
Seat Back Assembly .....	1-13
Hip Restraints and Seat Back Mounting .....	1-15
Tilt Bed, Hinge, and Latch – Turf/Carryall 2, 252, 2 XRT, and Carryall 2 Plus .....	1-17
Latch Plate .....	1-19
Prop Rod .....	1-21
Cargo Box (Aluminum) .....	1-23
Cargo Box Mounting .....	1-25
Cargo Box (Steel) .....	1-27
Trailer Hitch .....	1-29
Receiver Hitch – XRT 900 .....	1-31
Rear Body Trim – Turf/Carryall 2, and Carryall 2 Plus .....	1-33
Rear Body Trim – Turf/Carryall 252 and XRT 900 .....	1-35

---

## SECTION 2 – WHEELS AND TIRES

---

Wheels and Tires – Turf/Carryall 2 .....	2-3
Wheels and Tires, Off-Road Tread – Turf/Carryall 252 and XRT 900 .....	2-5
Wheels and Tires, Turf Tread – Turf/Carryall 252 and XRT 900 .....	2-7

---

## SECTION 3 – DECALS

---

Decals – Turf/Carryall 2 IQ Plus Vehicles .....	3-3
Decals – Turf/Carryall 2 IQ Plus Vehicles, Continued .....	3-5
Decals – Turf/Carryall 252 and XRT 900 IQ Plus Vehicles .....	3-7
Decals – Turf/Carryall 252 and XRT 900 IQ Plus Vehicles, Continued .....	3-9
Decals – Turf/Carryall 2 Gasoline Vehicles .....	3-11
Decals – Turf/Carryall 2 Gasoline Vehicles, Continued .....	3-13
Decals – Carryall 2 Plus Gasoline Vehicles .....	3-15
Decals – Carryall 2 Plus Gasoline Vehicles, Continued .....	3-17
Decals – Turf/Carryall 252 Gasoline Vehicles .....	3-19
Decals – Turf/Carryall 252 Gasoline Vehicles, Continued .....	3-21
Decals – XRT 900 Gasoline Vehicles .....	3-23
Decals – XRT 900 Gasoline Vehicles, Continued .....	3-25
Decals, Logo – Turf/Carryall 2, and Carryall 2 Plus .....	3-27

# CONTENTS

---

Decals, Logo – Turf/Carryall 252 .....	3-29
Decals, Logo – XRT 900 .....	3-31

## **SECTION 4 – BRAKES, PEDAL, AND CABLE ASSEMBLIES**

---

Rear Brake Assembly, Self-Adjusting – Vehicle with 2-Wheel Brakes .....	4-3
Rear Brake Assembly, Manually-Adjusted – Vehicles with 4-Wheel Brakes .....	4-5
Brake Pedal Assembly – Vehicles with Two-Wheel Brakes .....	4-7
Brake Pedal Assembly – IQ Plus Vehicles .....	4-9
Front Brake Assembly – Vehicles with Four-Wheel Brakes .....	4-11
Front Brake Cables and Equalizer – Vehicles with Four-Wheel Brakes .....	4-13
Front Brake Cable Clips and Hardware – Vehicles with Front-Wheel Brakes .....	4-15
Rear Brake Cables and Equalizer – IQ Plus Electric Vehicles .....	4-17
Brake Cables and Equalizer – Turf/Carryall 2 Vehicles with Two-Wheel Brakes .....	4-19
Accelerator Pedal Assembly – Electric Vehicles .....	4-21
Accelerator Rod .....	4-23

## **SECTION 5 – STEERING, FRONT AND REAR SUSPENSION**

---

Steering Column – All Vehicles Except Turf/Carryall 252 and XRT 900 .....	5-3
Steering Column – Turf/Carryall 2 XRT and Turf/Carryall 252 Vehicles .....	5-5
Steering Wheel – Turf Vehicles .....	5-7
Steering Wheel – Carryall and XRT Vehicles .....	5-9
Steering Gear Assembly .....	5-11
Front Frame Plates – Turf/Carryall 252 and XRT 900 .....	5-13
Front Suspension, Upper – Vehicles with Two-Wheel Brakes .....	5-15
Front Suspension, Lower – Vehicles with Two-Wheel Brakes .....	5-17
Front Suspension, Upper – Turf/Carryall 252 and XRT 900 .....	5-19
Front Suspension, Lower – Turf/Carryall 252 and XRT 900 .....	5-21
Front Suspension, Upper – Turf/Carryall 2 and 2 Plus with Four-Wheel Brakes .....	5-23
Front Suspension, Lower – Turf/Carryall 2 and 2 Plus with Four-Wheel Brakes .....	5-25
Front Spindles and Hubs – Vehicles with Two-Wheel Brakes .....	5-27
Front Spindles and Hubs – Vehicles with Four-Wheel Brakes .....	5-29
Rear Suspension – Gasoline Turf/Carryall 2 and Carryall 2 Plus .....	5-31
Rear Suspension – Gasoline Turf/Carryall 252 and XRT 900 .....	5-33
Rear Suspension – Turf/Carryall 2 IQ Plus Vehicles .....	5-35
Rear Suspension – Turf/Carryall 252 and XRT 900 IQ Plus Vehicles .....	5-37
Stabilizer Bar – Turf/Carryall 2 and Carryall 2 Plus Gasoline Vehicles .....	5-39
Stabilizer Bar – Gasoline Turf/Carryall 252 and XRT 900 .....	5-41

# CONTENTS

---

## SECTION 6 – ELECTRICAL SYSTEM – GASOLINE VEHICLE

---

Wiring – Turf/Carryall 2 and 252 .....	6-5
Wiring – Carryall 2 Plus .....	6-9
Wiring – XRT 900 .....	6-13
Headlight and Horn Electrical Components .....	6-15
Headlights .....	6-17
Electrical Component Box – Turf/Carryall 2, and 252 .....	6-19
Electrical Component Box – XRT 900 .....	6-21
Electrical Component Box – Carryall 2 Plus .....	6-23
Instrument Panel and Electrical Components – XRT 900 and Carryall 2 Plus .....	6-25
Instrument panel and Electrical Components – Turf/Carryall 2 and 252 .....	6-27
Horn and Brake Switches .....	6-29
Starter/Generator Assembly .....	6-31
FE350 Starter/Generator Mounting .....	6-33
Battery .....	6-35
Operation and Maintenance Switch .....	6-37

---

## SECTION 7 – FE350 ENGINE WITH ACR (CARRYALL 2 PLUS)

---

FE350 Engine with ACR (Automatic Compression Release) – Shrouds and Brackets .....	7-3
FE350 Engine – Ignition Components and Flywheel .....	7-5
FE350 Engine – Oil Circulation .....	7-7
FE350 Engine – Cylinder Head .....	7-9
FE350 Engine with ACR – Crankcase, Camshaft, and Oil Sensor .....	7-11
FE350 Engine – Crankcase and Crankshaft .....	7-13
Engine Mounting – Turf/Carryall 252 and XRT 900 .....	7-15
FE350 Engine Mounting – Turf/Carryall 2 and Carryall 2 Plus .....	7-17

---

## SECTION 8 – FE350 ENGINE WITHOUT ACR (TURF/CA 2, 252 AND XRT 900)

---

FE350 Engine without ACR (Automatic Compression Release) – Shrouds and Brackets .....	8-3
FE350 Engine – Ignition Components and Flywheel .....	8-5
FE350 Engine – Oil Circulation .....	8-7
FE350 Engine – Cylinder Head .....	8-9
FE350 Engine without ACR – Crankcase, Camshaft, and Oil Sensor .....	8-11
FE350 Engine – Crankcase and Crankshaft .....	8-13
Engine Mounting – Turf/Carryall 252 and XRT 900 .....	8-15
FE350 Engine Mounting – Turf/Carryall 2 and Carryall 2 Plus .....	8-17

# CONTENTS

---

## SECTION 9 – EXHAUST SYSTEM

---

Exhaust System – FE350 Engine .....	9-3
-------------------------------------	-----

## SECTION 10 – FUEL, INTAKE, AND GOVERNOR SYSTEMS

---

Splash Guard .....	10-3
Fuel Tank with Sending Unit .....	10-5
Fuel System .....	10-7
Carburetor Assembly – FE350 .....	10-9
Carburetor Installation – FE350 .....	10-11
Governor and Accelerator Cables .....	10-13
Air Box and Intake Hose .....	10-15
Intake System .....	10-17

## SECTION 11 – TORQUE CONVERTER

---

Drive Clutch – Turf/Carryall 2, and 252 .....	11-3
Drive Clutch – XRT 900 .....	11-5
Drive Clutch – Carryall 2 Plus .....	11-7
Drive Belt – FE350 .....	11-9
Driven Clutch – Turf/Carryall 2, 252 .....	11-11
Driven Clutch – Carryall 2 Plus, and XRT 900 .....	11-13

## SECTION 12 – UNITIZED TRANSAXLE

---

Unitized Transaxle – Gear Cases and Brackets .....	12-3
Transaxle – Transmission and Gear Reduction .....	12-5
Transaxle – Differential and Axles .....	12-7
Forward/Reverse Shifter .....	12-9
Forward/Reverse Shifter Cable .....	12-13

## SECTION 13 – ELECTRICAL SYSTEM – ELECTRIC VEHICLES

---

Headlight and Horn Electrical Components .....	13-3
Wiring – Turf/Carryall 2 .....	13-7
Headlights .....	13-9
Instrument Panel with Electrical Components – Turf/Carryall 252, and XRT 900 .....	13-11
Horn and Brake Switches .....	13-13
Motor Controller Output Regulator (MCOR) .....	13-15
Instrument Panel and Electrical Components – Turf/Carryall 2 .....	13-17
Battery Charger Receptacle .....	13-19
Electrical Installation .....	13-23



# CONTENTS

---

Tow/Run Switch .....	13-25
Electrical Components .....	13-29
Hour Meter – Turf 2, 252, Carryall 252, XRT 900 .....	13-31
Batteries, T-105 .....	13-33
Batteries, T-145 .....	13-35

## **SECTION 14 – ELECTRIC MOTOR**

---

Motor (Model DA5-4006) .....	14-3
------------------------------	------

## **SECTION 15 – TRANSAXLE – ELECTRIC VEHICLES**

---

Transaxle .....	15-3
-----------------	------

## **SECTION 16 – BATTERY CHARGER**

---

IQ Plus Domestic Battery Charger (Model 25730) .....	16-3
IQ Plus Onboard Battery Charger (Model 25260) .....	16-5
Onboard Charger (Model 25260) and Reel Mounting .....	16-7
Onboard Charger (Model 25260) and Reel Mounting – IQ Plus Turf/Carryall 2, Continued .....	16-11
IQ Plus Battery Charger (Model 25880), Export and European .....	16-13
IQ Plus Onboard Battery Charger (Model 25660), Export .....	16-15
Onboard Charger (Model 25660) and Reel Mounting .....	16-17
Onboard Charger (Model 25660) and Reel Mounting – IQ Plus Turf/Carryall 2, Continued .....	16-21

## **SECTION 17 – MAINTENANCE AND SERVICE TOOLS**

---

Maintenance and Service Tools .....	17-3
Maintenance and Service Tools, Continued .....	17-5
Maintenance and Service Tools, Continued .....	17-7
Maintenance and Service Tools, Continued .....	17-9
Maintenance and Service Tools, Continued .....	17-11



# BODY AND TRIM

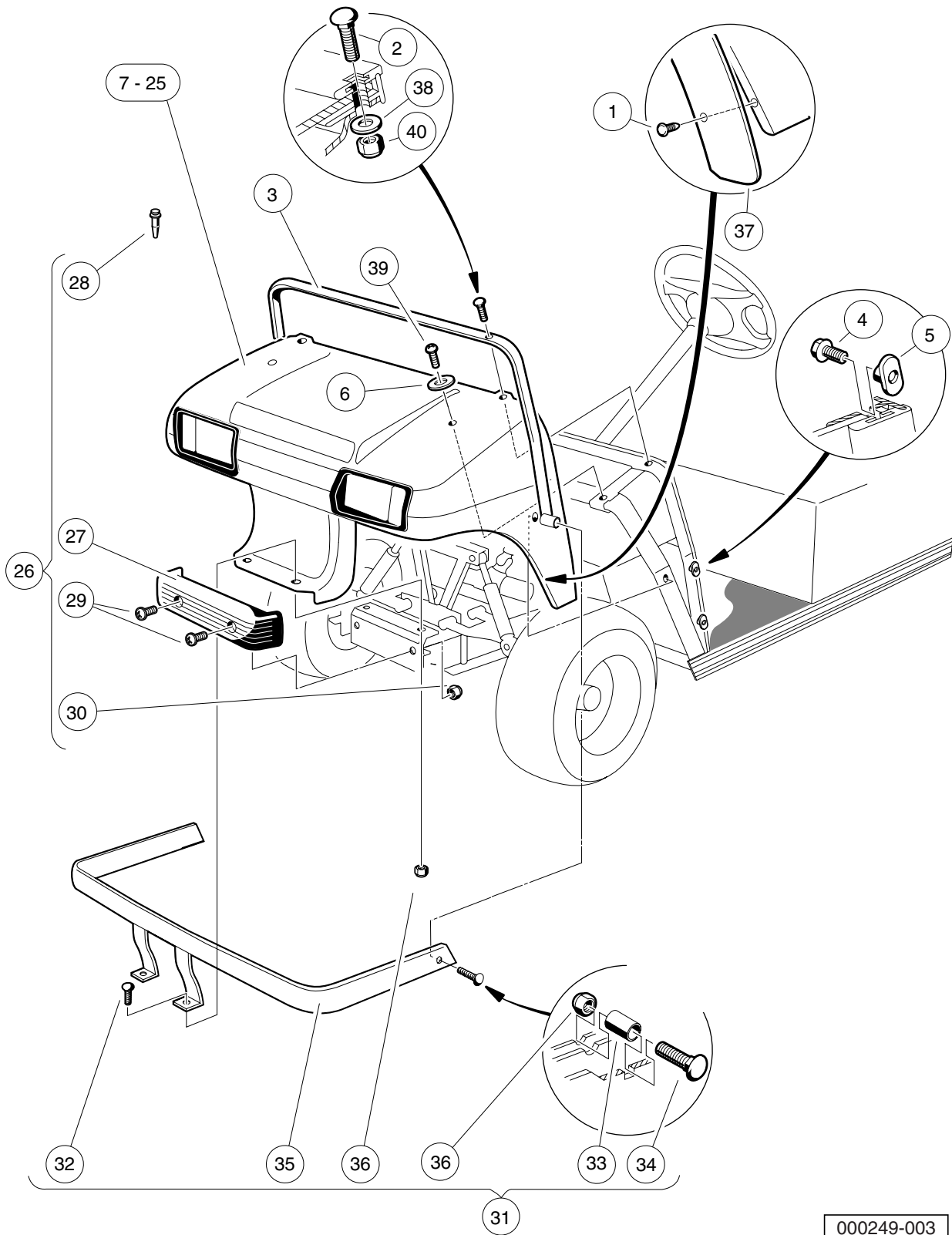
---

1

G

E

**1**  
**G**  
**E**



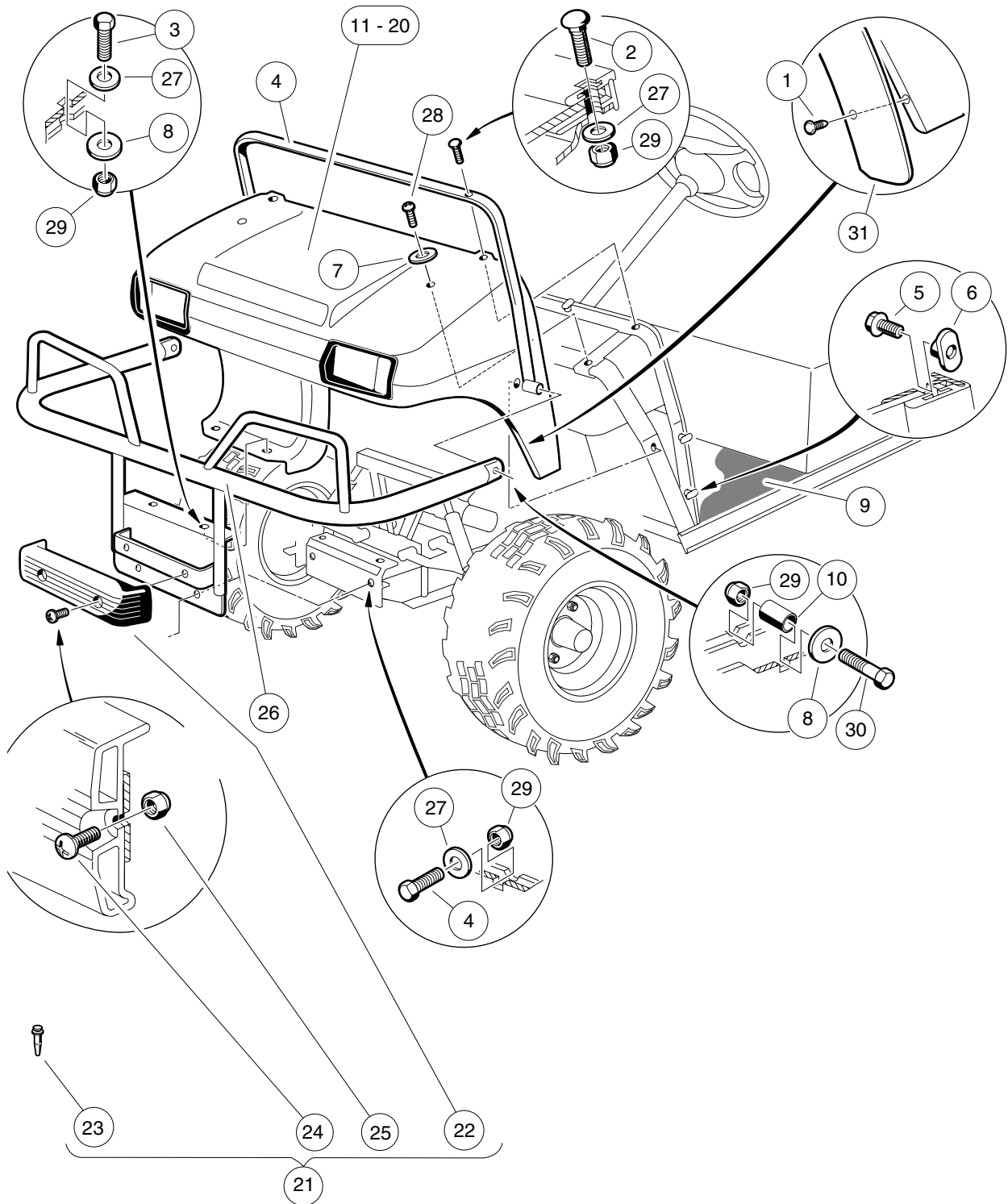
000249-003

# FRONT BODY AND TRIM – TURF/ CARRYALL 2 AND CARRYALL 2 PLUS

ITEM	PART NO.	DESCRIPTION	QTY
		<b>1 2 3 4</b>	
1	1010434	Barrel - Plastic .....	12
2	1010435	Bolt, Carriage, 5/16-18 X 1.00 .....	2
3	1011014	Trim, Cowl .....	1
4	1011017	Screw, #8-32 X 0.375 .....	6
5	1011394	T-Nut Package (Set of 4) .....	1
6	1015075	Washer, 5/16 Flat Type A .....	2
7	101692501	Cowl, TPO, Beige .....	1
8	101692502	Cowl, TPO, White .....	1
9	101692506	Cowl, TPO, Red .....	1
10	101692509	Cowl, TPO, Pacific Blue (Royal Blue) .....	1
11	101692510	Cowl, TPO, Dark Green .....	1
12	101692511	Cowl, TPO, Black .....	1
13	101692512	Cowl, TPO, Classic Blue (Navy) .....	1
14	101692513	Cowl, TPO, Burgundy .....	1
15	101692514	Cowl, TPO, Dark Gray .....	1
16	101692515	Cowl, TPO, Safety Yellow .....	1
17	101693901	Cowl with Headlight Opening, TPO, Beige .....	1
18	101693902	Cowl with Headlight Opening, TPO, White .....	1
19	101693906	Cowl with Headlight Opening, TPO, Red .....	1
20	101693909	Cowl with Headlight Opening, TPO, Dark Green .....	1
21	101693910	Cowl with Headlight Opening, TPO, Black .....	1
22	101693911	Cowl with Headlight Opening, TPO, Classic Blue (Navy) .....	1
23	101693912	Cowl with Headlight Opening, TPO, Burgundy .....	1
24	101693913	Cowl with Headlight Opening, TPO, Dark Gray .....	1
25	101693914	Cowl with Headlight Opening, TPO, Safety Yellow .....	1
26	1017080	Kit, Front Bumper (includes items 27 through 30) .....	1
27	1016868	Front Bumper .....	1
28	1016967	Blind Rivet, Push Type .....	2
29	7251	Screw, 5/16-18 x 1.0 Truss-Head .....	2
30	7473	Locknut, 5/16-18 Nylon Insert .....	2
31	101734802	Kit, Heavy-Duty Bumper (includes items 32 through 36) .....	1
32	1010435	Bolt, Carriage, 5/16-18 X 1.00 .....	2
33	1010546	Spacer .....	2
34	1015405	Bolt, Carriage, 5/16-18 X 2.0 .....	2
35	N/A	Weldment, Heavy Duty Bumper .....	1
36	7473	Locknut, 5/16-18 Nylon Insert .....	4
37	101870401	Fender Extrusion .....	2
38	1241	Washer, 5/16 Type A Flat .....	2
39	7251	Screw, 5/16-18 x 1.0 Truss-Head .....	2
40	7473	Locknut, 5/16-18 Nylon Insert .....	2

**1**  
**G**  
**E**

**1**  
**G**  
**E**



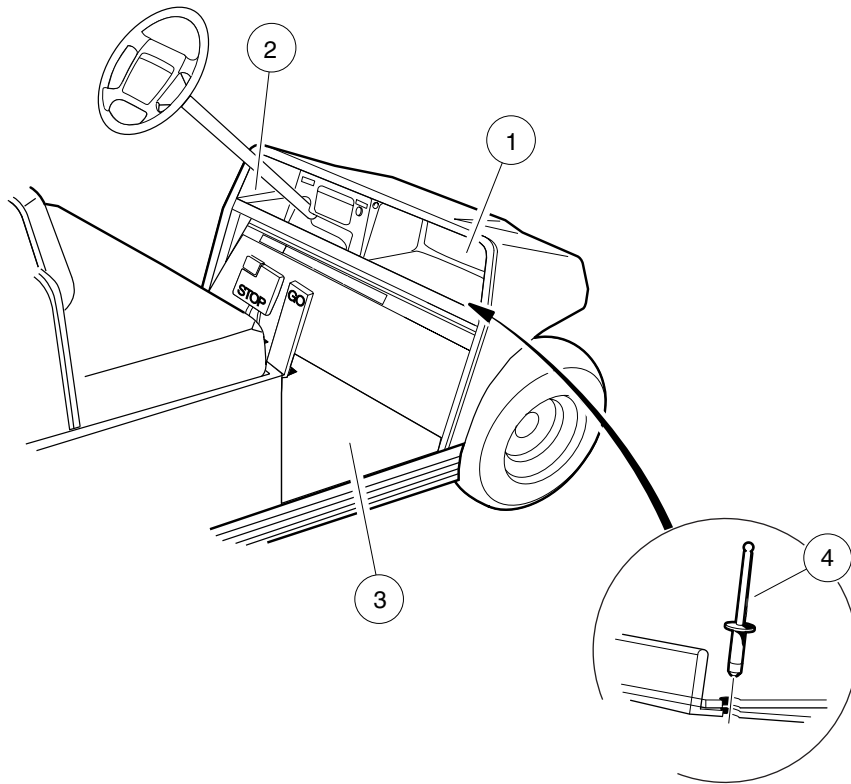
000249-004

# FRONT BODY AND TRIM – TURF/CARRYALL 252 AND XRT 900

ITEM	PART NO.	DESCRIPTION	QTY
		1 2 3 4	
1	1010434	Barrel - Plastic .....	12
2	1010435	Bolt, Carriage, 5/16-18 X 1.00 .....	2
3	1010934	Screw, 5/16-18 X 1.00 Hex Cap .....	4
4	1011014	Trim, Cowl .....	1
5	1011017	Screw, #8-32 X 0.375 .....	6
6	1011394	T-Nut Package (Set of 4) .....	1
7	1011578	Washer, 5/16 Type B Flat .....	4
8	101503202	Floormat .....	1
9	1015075	Washer, 5/16 Flat Type A .....	2
10	1015608	Tube Spacer, Hydraulic Cylinder .....	2
11	101693901	Cowl with Headlight Opening, TPO, Beige .....	1
12	101693902	Cowl with Headlight Opening, TPO, White .....	1
13	101693906	Cowl with Headlight Opening, TPO, Red .....	1
14	101693908	Cowl with Headlight Opening, TPO, Pacific Blue (Royal Blue) .....	1
15	101693909	Cowl with Headlight Opening, TPO, Dark Green .....	1
16	101693910	Cowl with Headlight Opening, TPO, Black .....	1
17	101693911	Cowl with Headlight Opening, TPO, Classic Blue (Navy) .....	1
18	101693912	Cowl with Headlight Opening, TPO, Burgundy .....	1
19	101693913	Cowl with Headlight Opening, TPO, Dark Gray .....	1
20	101693914	Cowl with Headlight Opening, TPO, Safety Yellow .....	1
21	1017080	Kit, Front Bumper (includes items 22 through 25) .....	1
22	1016868	Front Bumper .....	1
23	1016967	Blind Rivet, Push Type .....	2
24	7251	Screw, 5/16-18 x 1.0 Truss-Head .....	2
25	7473	Locknut, 5/16-18 Nylon Insert .....	2
26	102004301	Brush Guard .....	1
27	1241	Washer, 5/16 Type A Flat .....	6
28	7251	Screw, 5/16-18 x 1.0 Truss-Head .....	2
29	7473	Locknut, 5/16-18 Nylon Insert .....	8
30	8935	Screw, 5/16-18 X 2.25 Hex-Head Cap .....	2
31	AM10808	Front Fender Extrusion - Lynx .....	2

1  
G  
E

**1**  
**G**  
**E**



000252-002

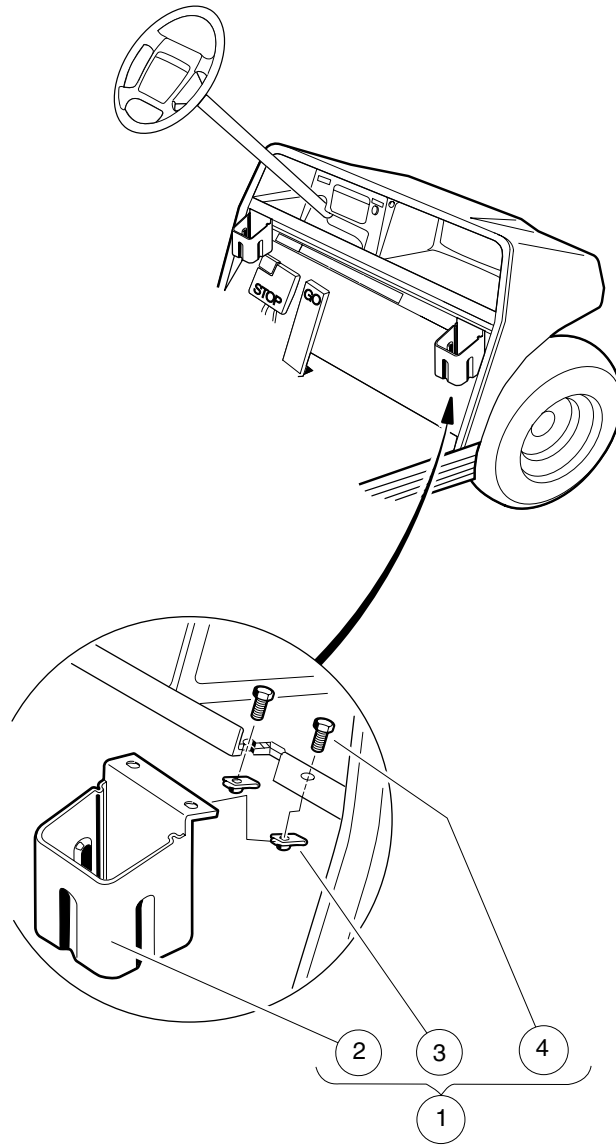


# DASH POCKETS AND FLOORMAT

ITEM	PART NO.	DESCRIPTION	QTY
		1 2 3 4	
1	1013343	Dash Component, Passenger-Side, Black .....	1
2	1013344	Dash Component, Driver-Side .....	1
3	101503202	Floormat .....	1
4	7973	Rivet, 3/16 X .400 Blind .....	5

1  
G  
E

**1**  
**G**  
**E**

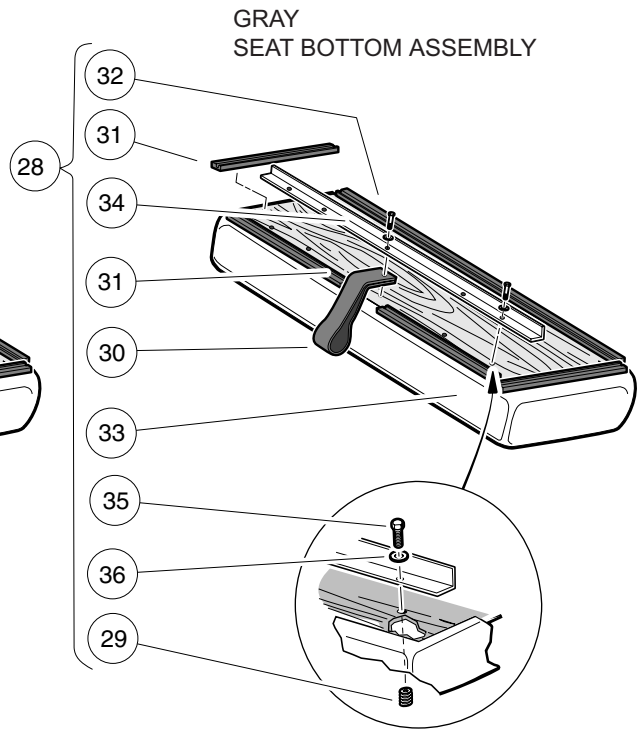
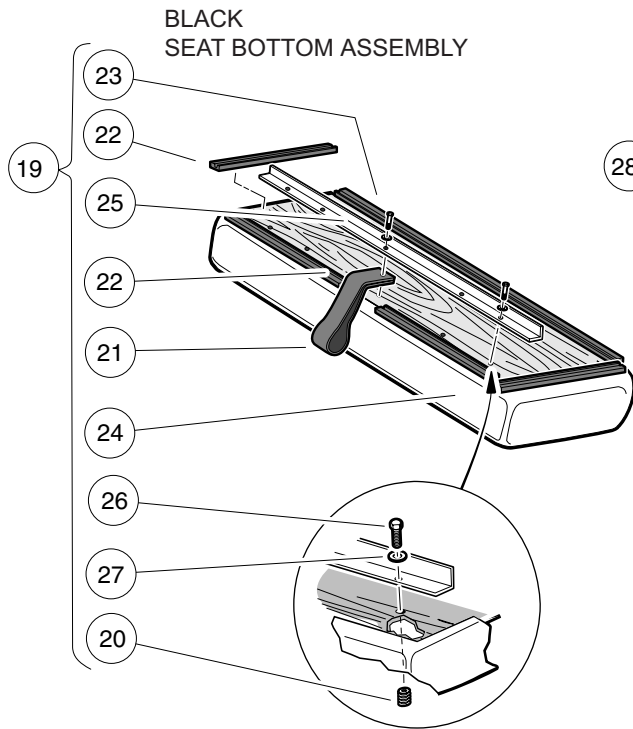
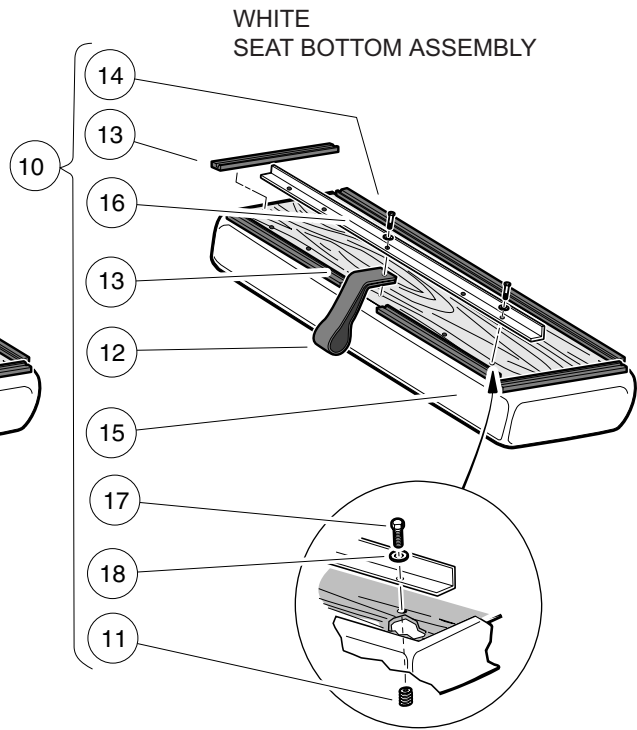
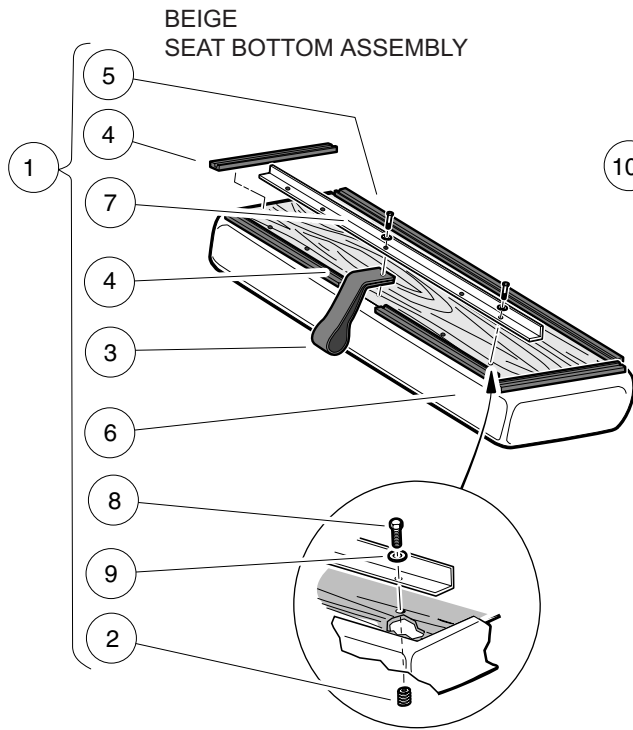


000253-001

# BEVERAGE HOLDER

ITEM	PART NO.	DESCRIPTION	QTY
		1 2 3 4	
1	1013422	Cup Holder Kit (includes items 2 through 4) .....	2
2	N/A	Holder, Single Cup .....	1
3	1016952	U-Nut, 1/4-20 .....	2
4	7847	Screw, 1/4-20 X 0.75 Hex-Head Cap .....	2

1  
G  
E



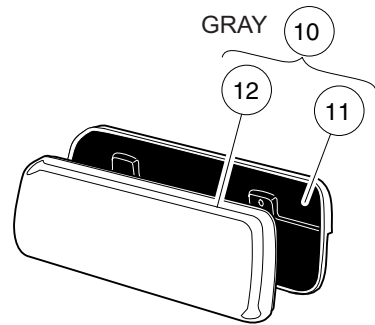
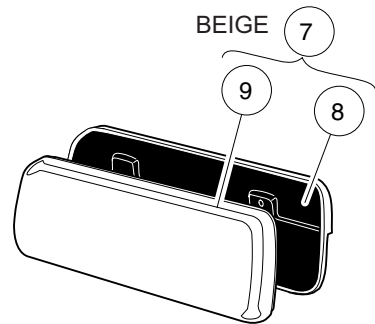
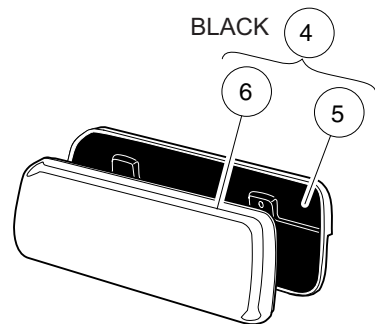
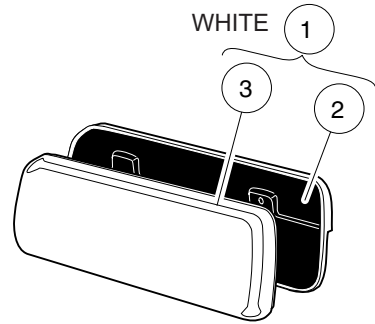
000254-001

# SEAT BOTTOM

ITEM	PART NO.	DESCRIPTION	QTY
		<b>1 2 3 4</b>	
1	101564501	Seat Bottom Assembly, Beige (includes items 2 through 9) .....	1
2	1010543	Insert - Wood .....	5
3	1013309	Strap, Utility Seat .....	1
4	1013311	Bumper, Seat, Short .....	4
5	1013312	Bumper, Seat, Long .....	1
6	101562711	Vinyl Cover, Seat Bottom, Buff .....	1
7	101894303	Stiffener .....	1
8	101954301	Screw, 1/4-20 X 0.75 Hex-Head Cap .....	5
9	332	Washer, 1/4 Type A Narrow Flat .....	5
10	101564502	Seat Bottom Assembly, White (includes items 11 through 18) .....	1
11	1010543	Insert - Wood .....	5
12	1013309	Strap, Utility Seat .....	1
13	1013311	Bumper, Seat, Short .....	4
14	1013312	Bumper, Seat, Long .....	1
15	101562712	Vinyl Cover, Seat Bottom, White .....	1
16	101894303	Stiffener .....	1
17	101954301	Screw, 1/4-20 X 0.75 Hex-Head Cap .....	5
18	332	Washer, 1/4 Type A Narrow Flat .....	5
19	101564503	Seat Bottom Assembly, Black (includes items 20 through 27) .....	1
20	1010543	Insert - Wood .....	5
21	1013309	Strap, Utility Seat .....	1
22	1013311	Bumper, Seat, Short .....	4
23	1013312	Bumper, Seat, Long .....	1
24	101562714	Vinyl Cover, Seat Bottom, Black .....	1
25	101894303	Stiffener .....	1
26	101954301	Screw, 1/4-20 X 0.75 Hex-Head Cap .....	5
27	332	Washer, 1/4 Type A Narrow Flat .....	5
28	101564505	Seat Bottom Assembly, Gray (includes items 29 through 36) .....	1
29	1010543	Insert - Wood .....	5
30	1013309	Strap, Utility Seat .....	1
31	1013311	Bumper, Seat, Short .....	4
32	1013312	Bumper, Seat, Long .....	1
33	101562715	Vinyl Cover, Seat Bottom, Gray .....	2
34	101894303	Stiffener .....	1
35	101954301	Screw, 1/4-20 X 0.75 Hex-Head Cap .....	5
36	332	Washer, 1/4 Type A Narrow Flat .....	5

1  
G  
E

**1**  
**G**  
**E**

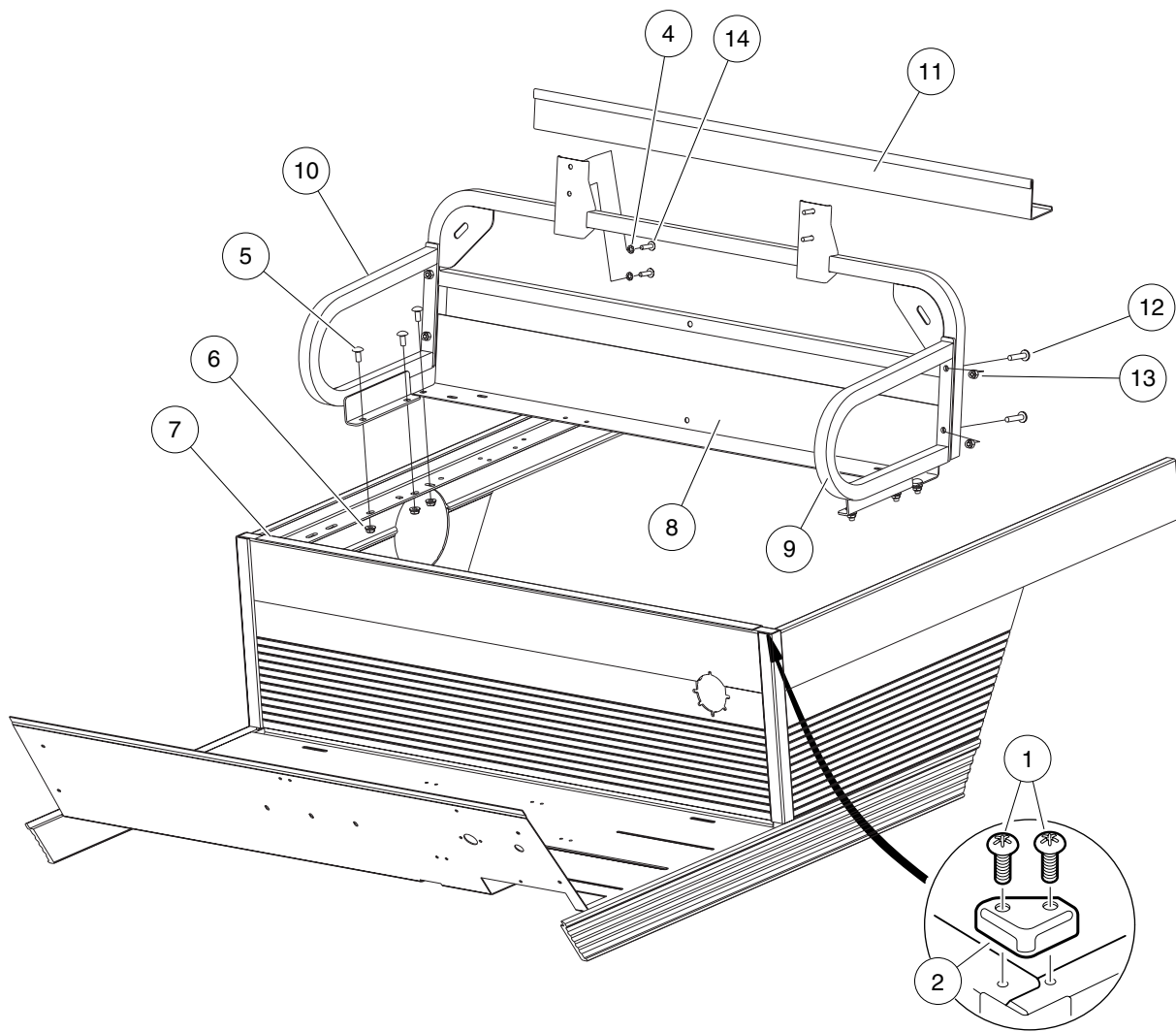


000608-001

# SEAT BACK ASSEMBLY

ITEM	PART NO.	DESCRIPTION	QTY
		<b>1 2 3 4</b>	
1	101677701	Seat Back Assembly, White (includes items 2 and 3) .....	1
2	1016751	Cap, Seat Back .....	1
3	101675512	Vinyl Seat Back, White .....	1
4	101677702	Seat Back Assembly, Black (includes items 5 and 6) .....	1
5	1016751	Cap, Seat Back .....	1
6	101675514	Vinyl Seat Back, Black .....	1
7	101677703	Seat Back Assembly, Beige (includes items 8 and 9) .....	1
8	1016751	Cap, Seat Back .....	1
9	101675511	Vinyl Seat Back, Beige .....	1
10	101677705	Seat Back Assembly, Gray (includes items 11 and 12) .....	1
11	1016751	Cap, Seat Back .....	1
12	101675515	Vinyl Seat Back-gray Svc .....	1

1  
G  
E



000603-001

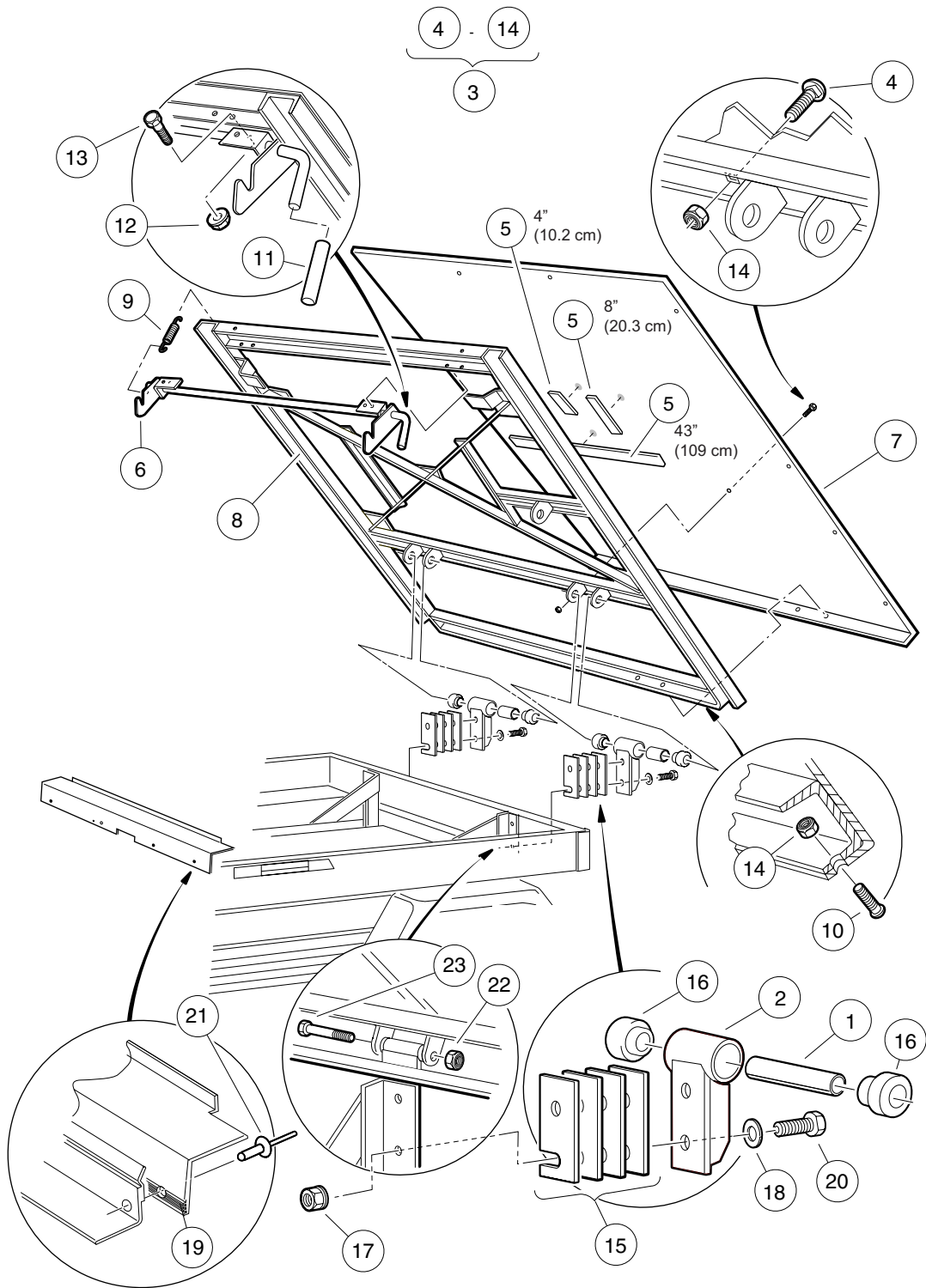


# HIP RESTRAINTS AND SEAT BACK MOUNTING

ITEM	PART NO.	DESCRIPTION	QTY
		<b>1 2 3 4</b>	
1	1014321	Screw, #10 Truss-Head Torx .....	4
2	1014387	Cap, Corner .....	2
3	N/A	Instl, Seat Bk, Hip Restr, Ca1 (includes items 4 through 14) .....	1
4	101946201	Washer, Lock, 0.250 External-Tooth .....	4
5	101963301	Bolt, 5/16-18 X 0.75 Round-Head .....	6
6	101963401	Locknut, 5/16-18 Hex Flange .....	6
7	101964001	Trim, Seat Bottom Front .....	1
8	102966401	Seat Back, Tube .....	1
9	102966501	Hip Restraint, Left .....	1
10	102966502	Hip Restraint, Right .....	1
11	102989501	Seal, Bed, 41-Inch .....	1
12	103245201	Screw, 5/16-18 X 1.5, Tr Tx Hd .....	4
13	103245301	Nut, Hex, Cp, Mech Def, 5/16-1 .....	4
14	8251	Screw, 1/4-20 X 1.0 Truss-Head Machine .....	4

**1**  
**G**  
**E**

**1**  
**G**  
**E**



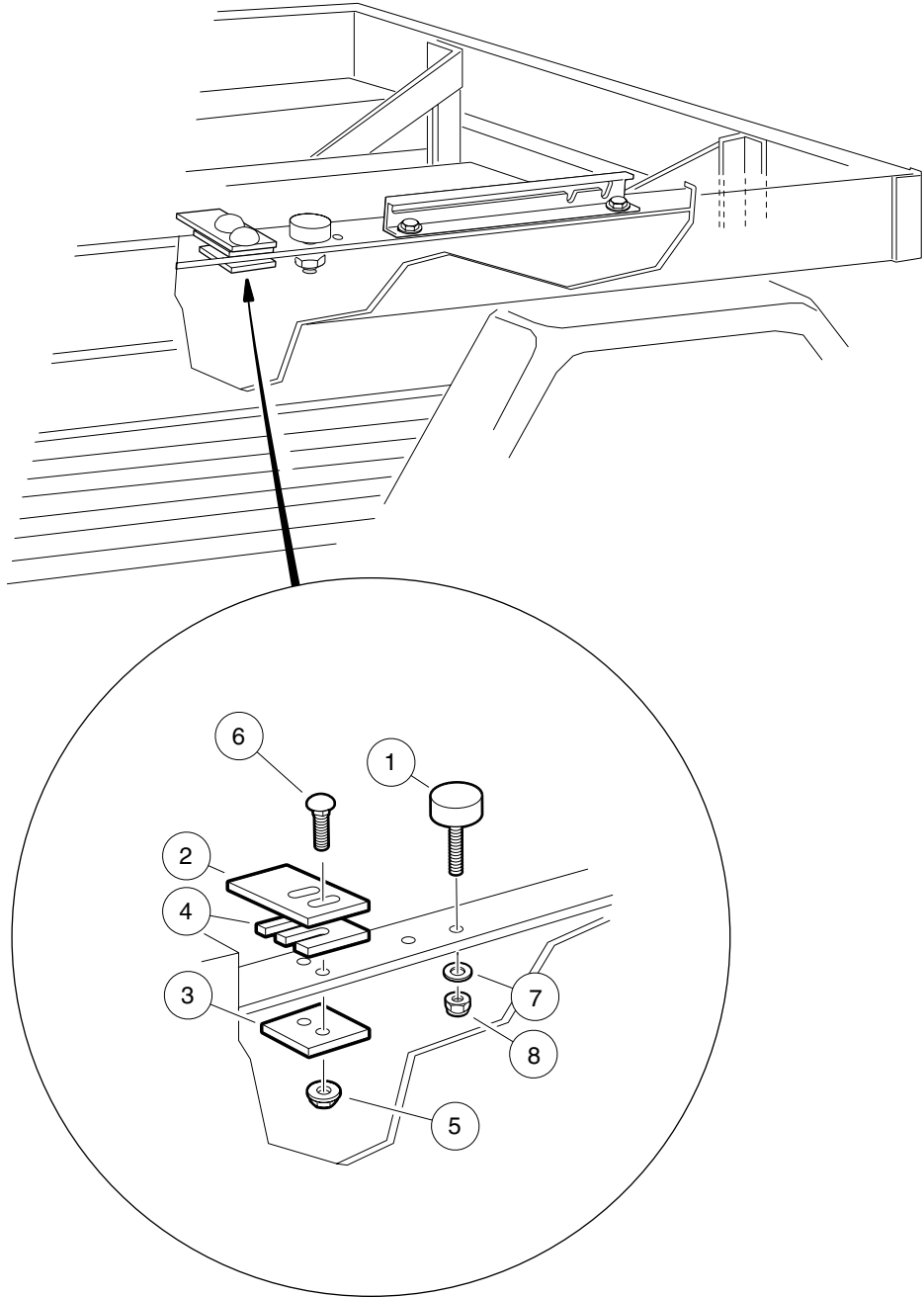
000257-003

# TILT BED, HINGE, AND LATCH – TURF/CARRYALL 2, 252, 2 XRT, AND CARRYALL 2 PLUS

ITEM	PART NO.	DESCRIPTION	QTY
		<b>1 2 3 4</b>	
1	1012303	Bushing, Steel .....	2
2	1015356	Hinge .....	2
3	101542901	Assembly, Tilt Bed (includes items 4 through 14) .....	1
4	1010435	Bolt, Carriage, 5/16-18 X 1.00 .....	4
5	1014471	Tape, Vinyl Foam 1/8" x 3/4" * .....	A/R
6	1015252	Latch Weld Assembly .....	1
7	N/A	Plate, Floor Bed .....	1
8	N/A	Frame Assembly .....	1
9	1015391	Extension, Spring Latch .....	2
10	1015399	Screw, 5/16-18 X 0.88 Torx Truss-Head .....	4
11	1015400	Grip, Tilt Latch Hand .....	1
12	101835601	Locknut, 1/4-20 Hex Whiz .....	4
13	403	Screw, 1/4-20 X 0.625 Hex-Head Cap .....	4
14	7473	Locknut, 5/16-18 Nylon Insert .....	8
15	1015507	Shim, Tilt Bed Pivot .....	A/R
16	1015583	Bushing, Urethane .....	4
17	102065901	Locknut, 3/8-16 Flanged Dimple .....	4
18	102066001	Washer, 3/8 Type B Hard Flat .....	4
19	102989501	Seal, Bed, 41-Inch .....	1
20	705	Screw, Cap-hex Hd 3/8-16x1.25 .....	4
21	7532	Rivet, 3/16 X 0.3125, Pop .....	1
22	8754	Locknut, 3/8-16 Hex .....	2
23	8755	Screw, 3/8-16 X 3.375 Hex Cap .....	2
		* Note: Item not shown.	

**1**  
**G**  
**E**

**1**  
**G**  
**E**



000258-002

# LATCH PLATE

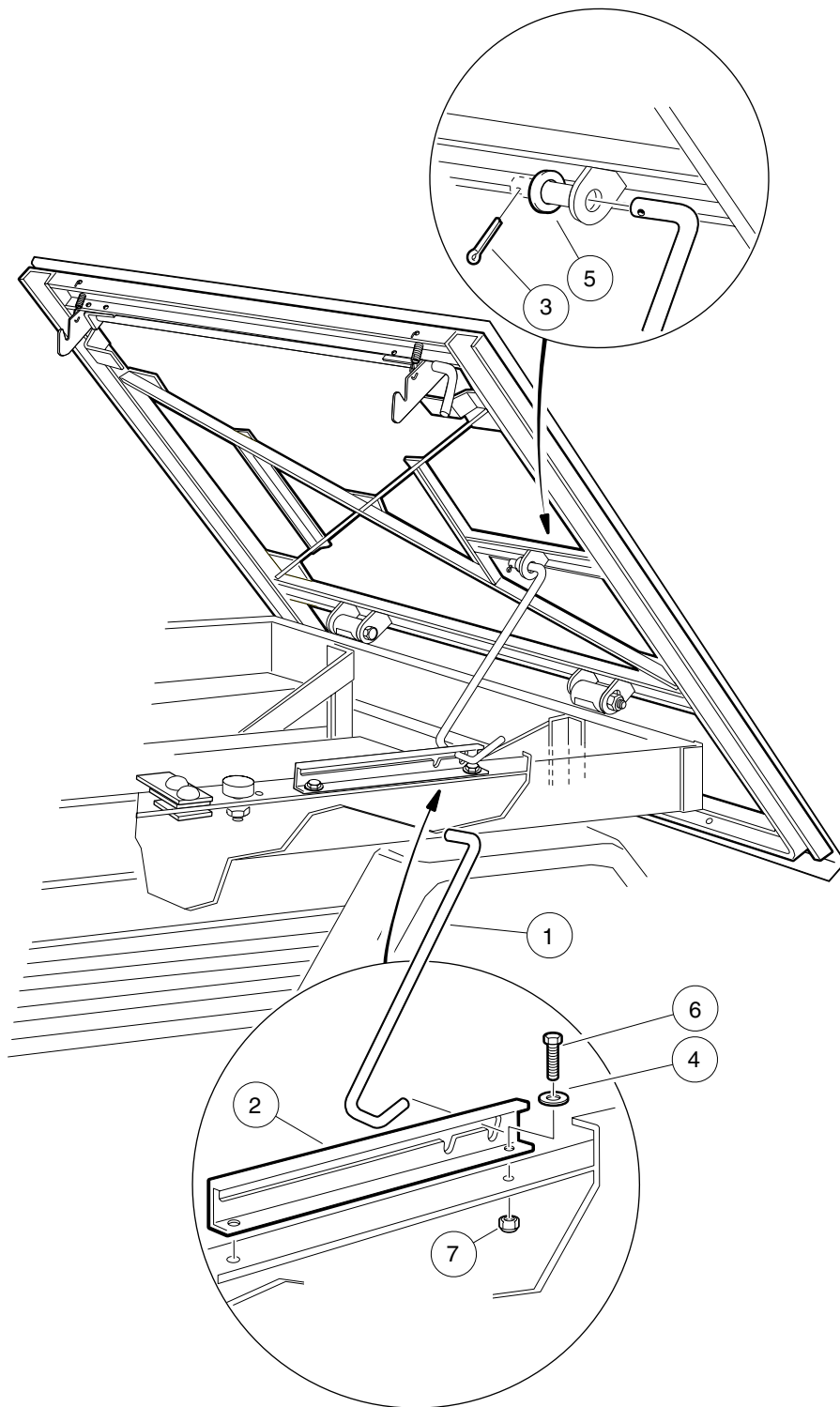
ITEM	PART NO.	DESCRIPTION	QTY
		<b>1 2 3 4</b>	
1	1010878	Bumper, Rubber .....	2
2	1015277	Latch Plate, Tilt Bed .....	2
3	1016060	Plate, Latch Support .....	2
4	1016078	Latch Plate Shim .....	A/R
5	101835601	Locknut, 1/4-20 Hex Whiz .....	4
6	101958601	Carriage Bolt, 1/4-20 X 0.75 .....	4
7	332	Washer, 1/4 Type A Narrow Flat .....	4
8	8233	Locknut, 1/4-20 Nylon Insert .....	4

**1**

**G**

**E**

**1**  
**G**  
**E**



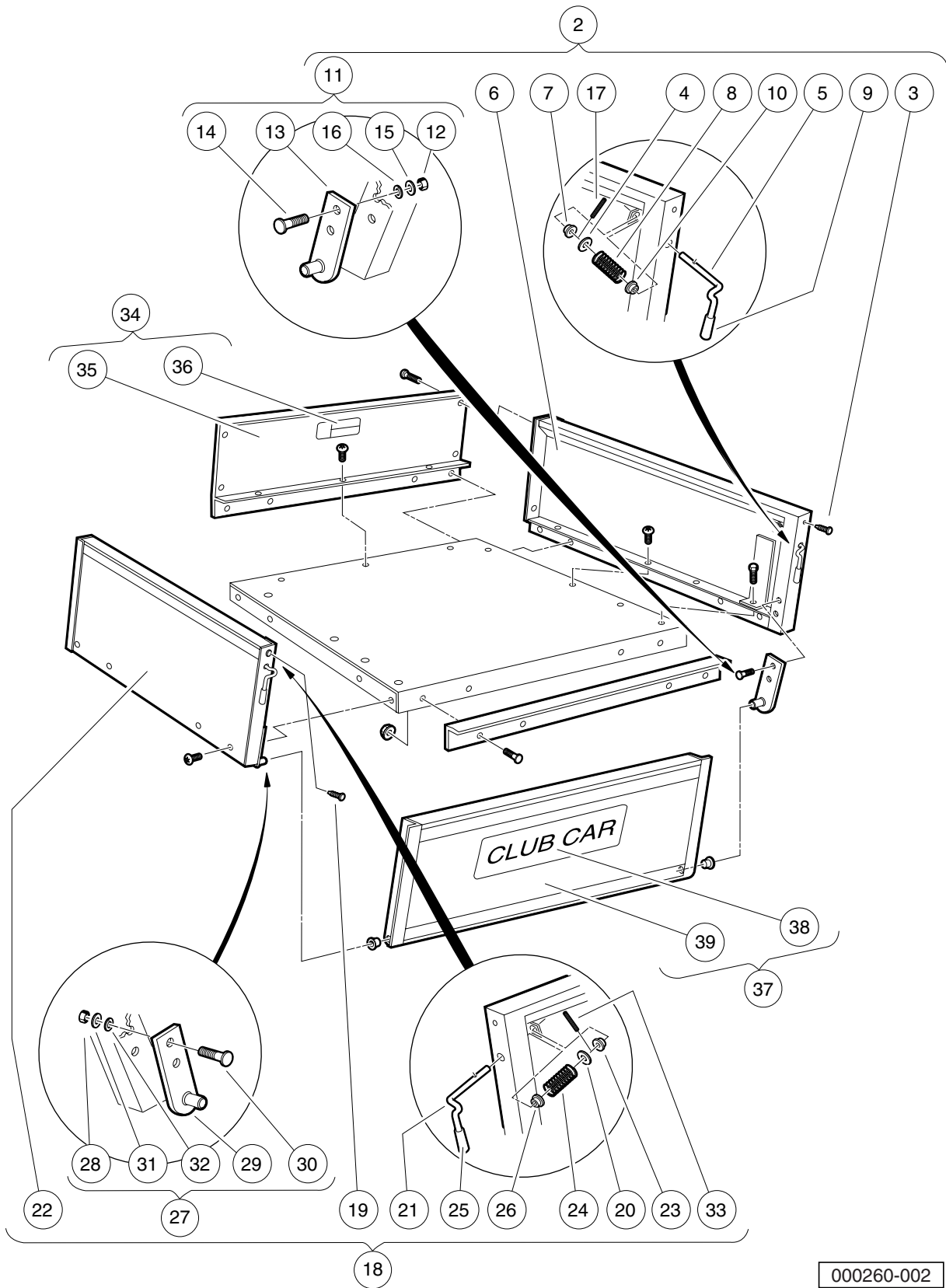
000259-002

# PROP ROD

ITEM	PART NO.	DESCRIPTION	QTY
		<b>1 2 3 4</b>	
1	102301401	Rod, Prop .....	1
2	102418101	Track, Prop Rod .....	1
3	1035	Cotter Pin, 3/32 x 1 .....	2
4	332	Washer, 1/4 Type A Narrow Flat .....	2
5	334	Washer, 3/8 Type A Flat .....	1
6	7847	Screw, 1/4-20 X 0.75 Hex-Head Cap .....	2
7	8233	Locknut, 1/4-20 Nylon Insert .....	2

**1**  
**G**  
**E**

**1**  
**G**  
**E**



000260-002

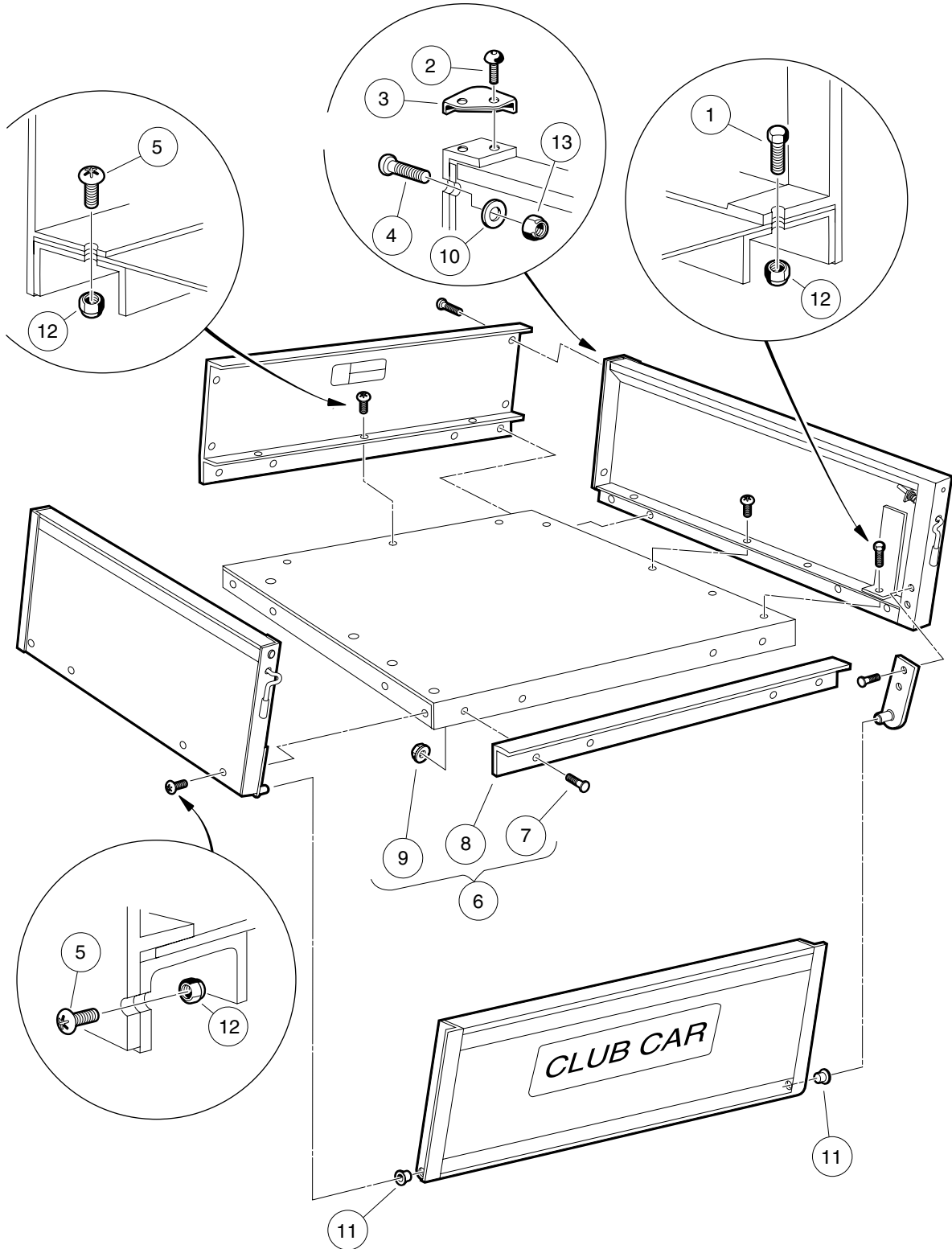


# CARGO BOX (ALUMINUM)

ITEM	PART NO.	DESCRIPTION	QTY
		<b>1 2 3 4</b>	
1	1015607	Cargo Box Set (includes items 2 through 37) .....	1
2	1015366	Side-Panel Assembly, Right-Hand (includes items 3 through 17) .....	1
3	1010434	Barrel - Plastic .....	1
4	1011990	Washer, 3/8 Flat .....	1
5	1015245	Latch, Tailgate, Right-Hand .....	1
6	N/A	Side-Panel Weldment, Right-Hand .....	1
7	1015363	Bushing, Snap-In .....	1
8	1015390	Compression Spring Latch Tilt .....	1
9	1015400	Grip, Tilt Latch Hand .....	1
10	1032	Bushing, Nylon .....	1
11	103406502	Kit, Tlgt Mtg Brkt, Ca Rh (includes items 12 through 16) .....	1
12	1028	Nut, 1/4-20 Hex .....	2
13	103388602	Asm, Tlgt, Mtg Brkt, Ca Rh .....	1
14	103406601	Stud, 1/4 Self-clnchg Flush .....	2
15	332	Washer, 1/4 Type A Narrow Flat .....	2
16	451	Lockwasher, 1/4 Helical Split .....	2
17	1231	Pin, 1/8 X 1.00 Split Roll .....	1
18	1015368	Side Panel Assembly, Left-Hand (includes items 19 through 33) .....	1
19	1010434	Barrel - Plastic .....	1
20	1011990	Washer, 3/8 Flat .....	1
21	1015313	Latch, Tailgate, Left-Hand .....	1
22	N/A	Side-Panel Weldment, Left-Hand .....	1
23	1015363	Bushing, Snap-In .....	1
24	1015390	Compression Spring Latch Tilt .....	1
25	1015400	Grip, Tilt Latch Hand .....	1
26	1032	Bushing, Nylon .....	1
27	103406501	Kit, Tlgt Mtg Brkt, Ca Lh (includes items 28 through 32) .....	1
28	1028	Nut, 1/4-20 Hex .....	2
29	103388601	Asm, Tlgt, Mtg Brkt, Ca Lh .....	1
30	103406601	Stud, 1/4 Self-clnchg Flush .....	2
31	332	Washer, 1/4 Type A Narrow Flat .....	2
32	451	Lockwasher, 1/4 Helical Split .....	2
33	1231	Pin, 1/8 X 1.00 Split Roll .....	1
34	1015412	Front Panel Assembly (includes items 35 and 36) .....	1
35	N/A	Front Panel Box .....	1
36	101553901	Decal, Bed Load Warning .....	1
37	1015424	Tailgate Assembly (includes items 38 and 39) .....	1
38	1013317	Decal, Logo, Tailgate .....	1
39	N/A	Tailgate Weldment .....	1
		Note: Additional components in kit 1015607 are shown on the following two pages.	



**1**  
**G**  
**E**



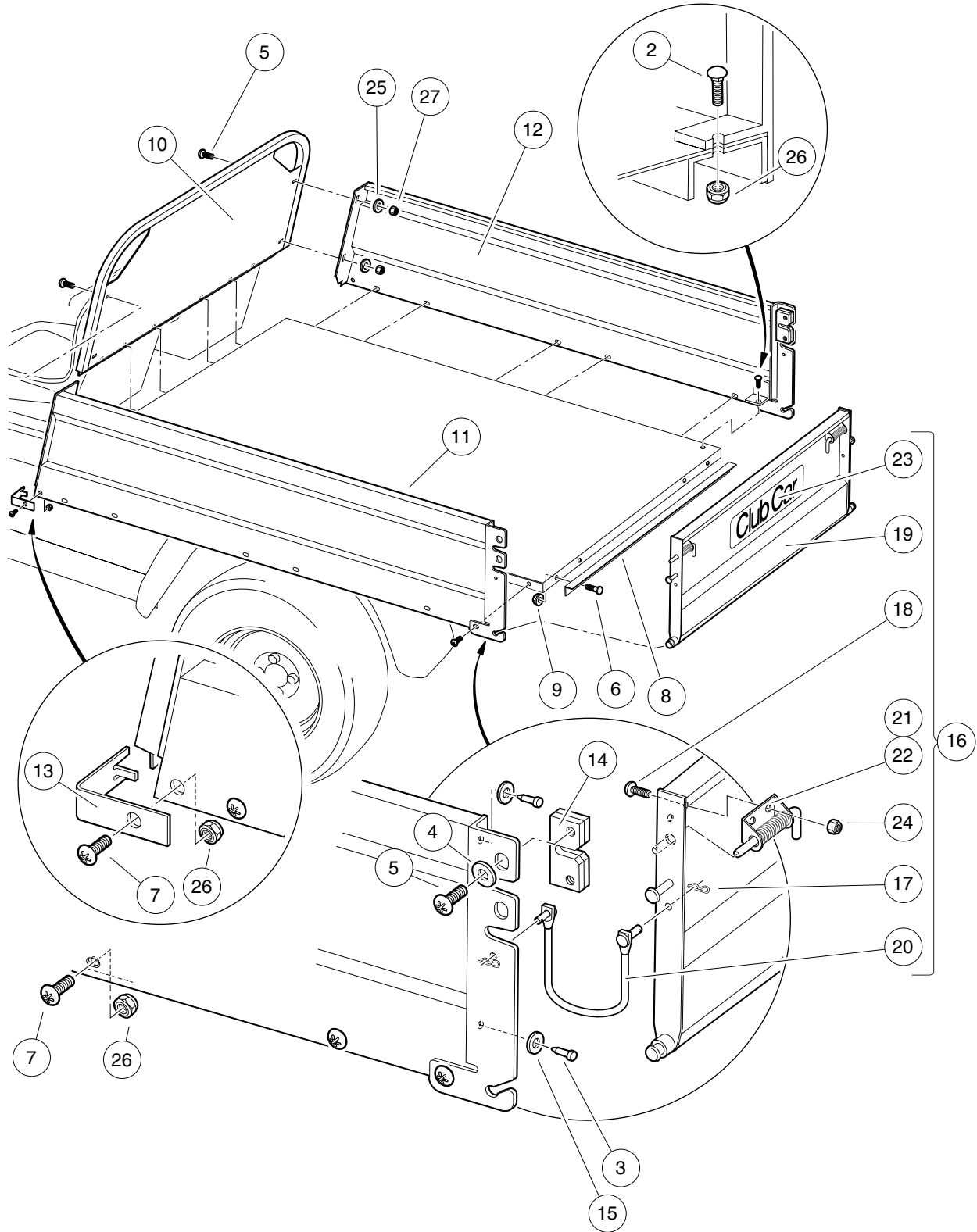
000261-001

# CARGO BOX MOUNTING

ITEM	PART NO.	DESCRIPTION	QTY
		1 2 3 4	
1	1010934	Screw, 5/16-18 X 1.00 Hex Cap .....	2
2	1014321	Screw, #10 Truss-Head Torx .....	4
3	1014387	Cap, Corner .....	2
4	1014415	Screw, 1/4-20 X 0.75 Torx Truss-Head .....	4
5	1015399	Screw, 5/16-18 X 0.88 Torx Truss-Head .....	23
6	101894702	Kit, Tailgate Angle (includes items 7 through 9) .....	1
7	1014537	Stud, Self-Clinching Flush Head .....	4
8	N/A	Box Bed Tailgate Angle .....	1
9	101963401	Locknut, 5/16-18 Hex Flange .....	4
10	332	Washer, 1/4 Type A Narrow Flat .....	4
11	7049	Bushing, Nylon .....	2
12	7473	Locknut, 5/16-18 Nylon Insert .....	25
13	8233	Locknut, 1/4-20 Nylon Insert .....	4
<p>Note: All parts listed on this page are included in kit 1015607.</p>			

1  
G  
E

**1**  
**G**  
**E**



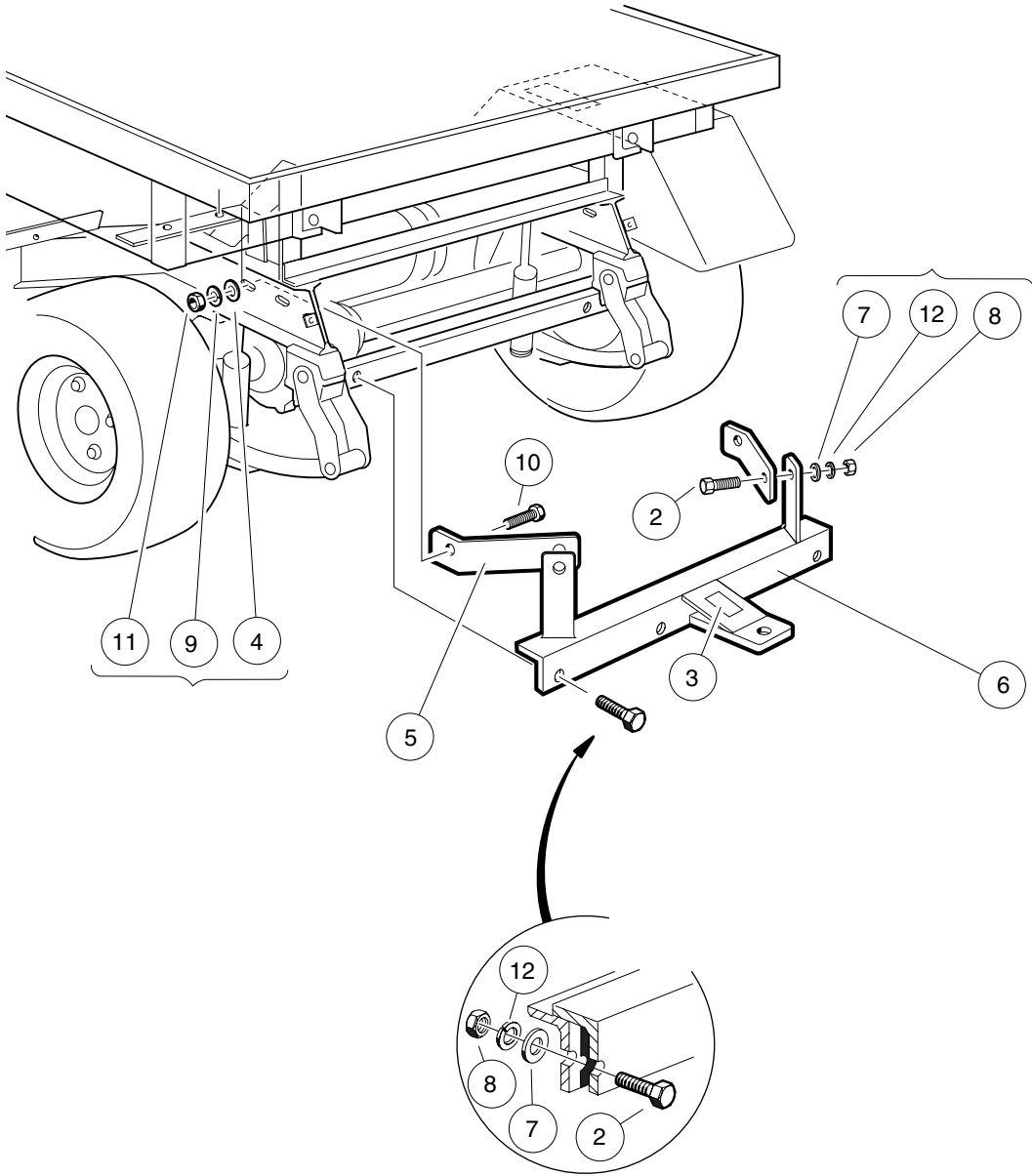
000038-001

# CARGO BOX (STEEL)

ITEM	PART NO.	DESCRIPTION	QTY
		<b>1 2 3 4</b>	
1	N/A	Instl, Steel Box, XRT (includes items 2 through 27) .....	1
2	1010435	Bolt, Carriage, 5/16-18 X 1.00 .....	13
3	1010436	Bumper, Rubber .....	4
4	1014306	Washer, 1/4" Type B Flat .....	4
5	1014415	Screw, 1/4-20 X 0.75 Torx Truss-Head .....	8
6	1014537	Stud, Self-Clinching Flush Head .....	4
7	1015399	Screw, 5/16-18 X 0.88 Torx Truss-Head .....	18
8	101894304	Box Bed Tailgate Angle .....	1
9	101963401	Locknut, 5/16-18 Hex Flange .....	4
10	102221301	Front Panel Weldment .....	1
11	102221401	Left Panel Weldment .....	1
12	102221501	Right Panel Weldment .....	1
13	102221701	Front Corner Cap .....	2
14	102222001	Slam Latch .....	2
15	102239901	Washer, Rubber, 3/8 .....	4
16	102614401	Assembly, Tailgate (includes items 17 through 24) .....	1
17	1013366	Hair Pin Clip .....	4
18	1014415	Screw, 1/4-20 X 0.75 Torx Truss-Head .....	4
19	N/A	Tailgate, Weldment .....	1
20	102221801	Tether Assembly .....	2
21	102222101	Spring Latch Left .....	1
22	102222201	Spring Latch Right .....	1
23	102673201	Decal, Club Car Tailgate .....	1
24	8233	Locknut, 1/4-20 Nylon Insert .....	4
25	332	Washer, 1/4 Type A Narrow Flat .....	4
26	7473	Locknut, 5/16-18 Nylon Insert .....	31
27	8233	Locknut, 1/4-20 Nylon Insert .....	4

**1**  
**G**  
**E**

**1**  
**G**  
**E**

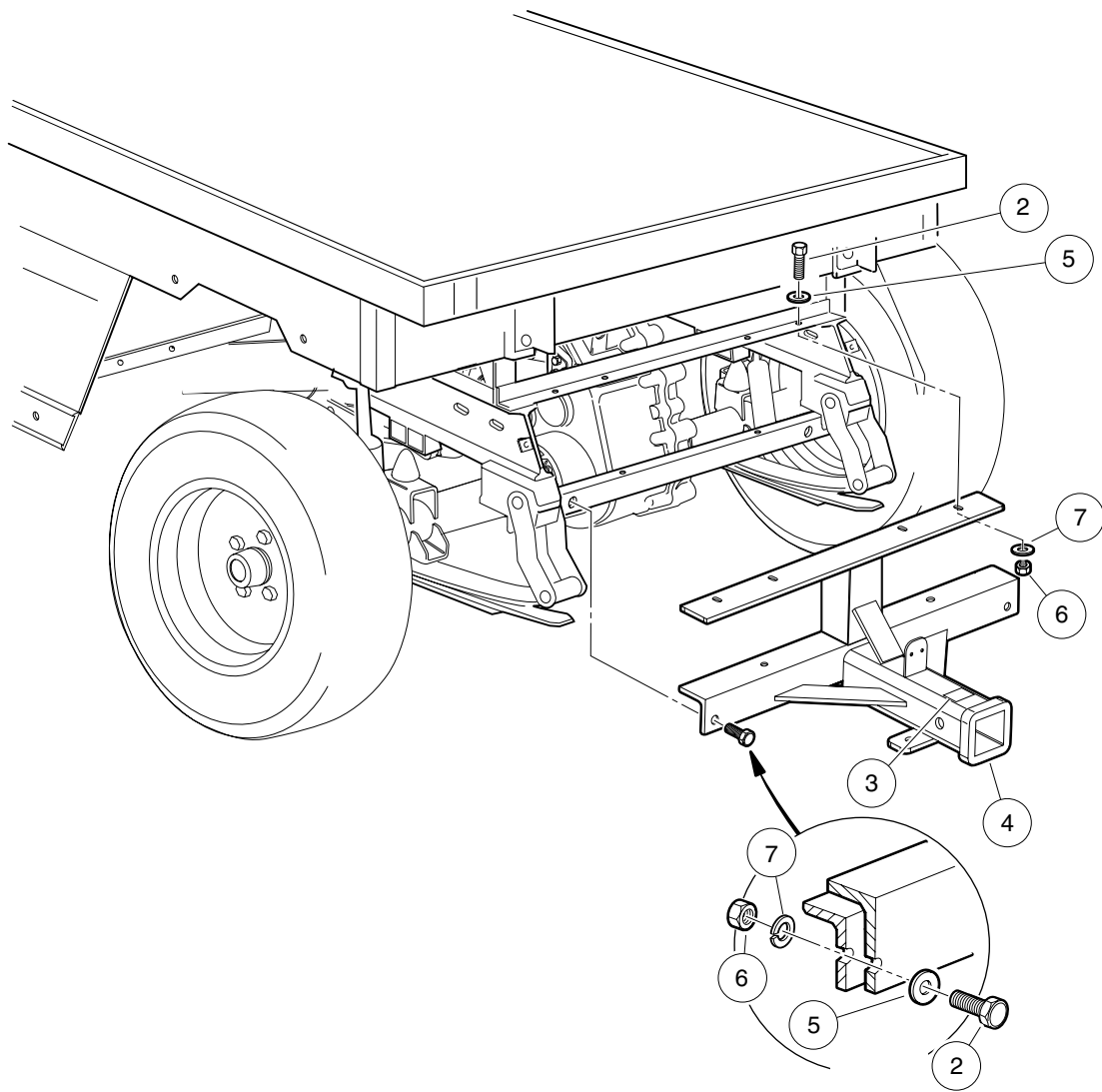


000265-001

# TRAILER HITCH

ITEM	PART NO.	DESCRIPTION	QTY
		<b>1 2 3 4</b>	
1	1015445	Kit, Trailer Hitch (includes items 2 through 12) .....	1
2	1010934	Screw, 5/16-18 X 1.00 Hex Cap .....	4
3	1011553	Decal, Trailer Hitch .....	1
4	1011990	Washer, 3/8 Flat .....	2
5	1013483	Brace, Trailer Hitch .....	2
6	N/A	Asm, Trailer Hitch .....	1
7	1241	Washer, 5/16 Type A Flat .....	4
8	1242	Nut, 5/16-18 Hex .....	4
9	357	Washer, Lock, Hel Sp 3/8 Reg .....	2
10	705	Screw, Cap-hex Hd 3/8-16x1.25 .....	2
11	706	Nut, Hex 3/8-16 .....	2
12	7174	Lockwasher, 5/16 Split .....	4

**1**  
**G**  
**E**



000100-002

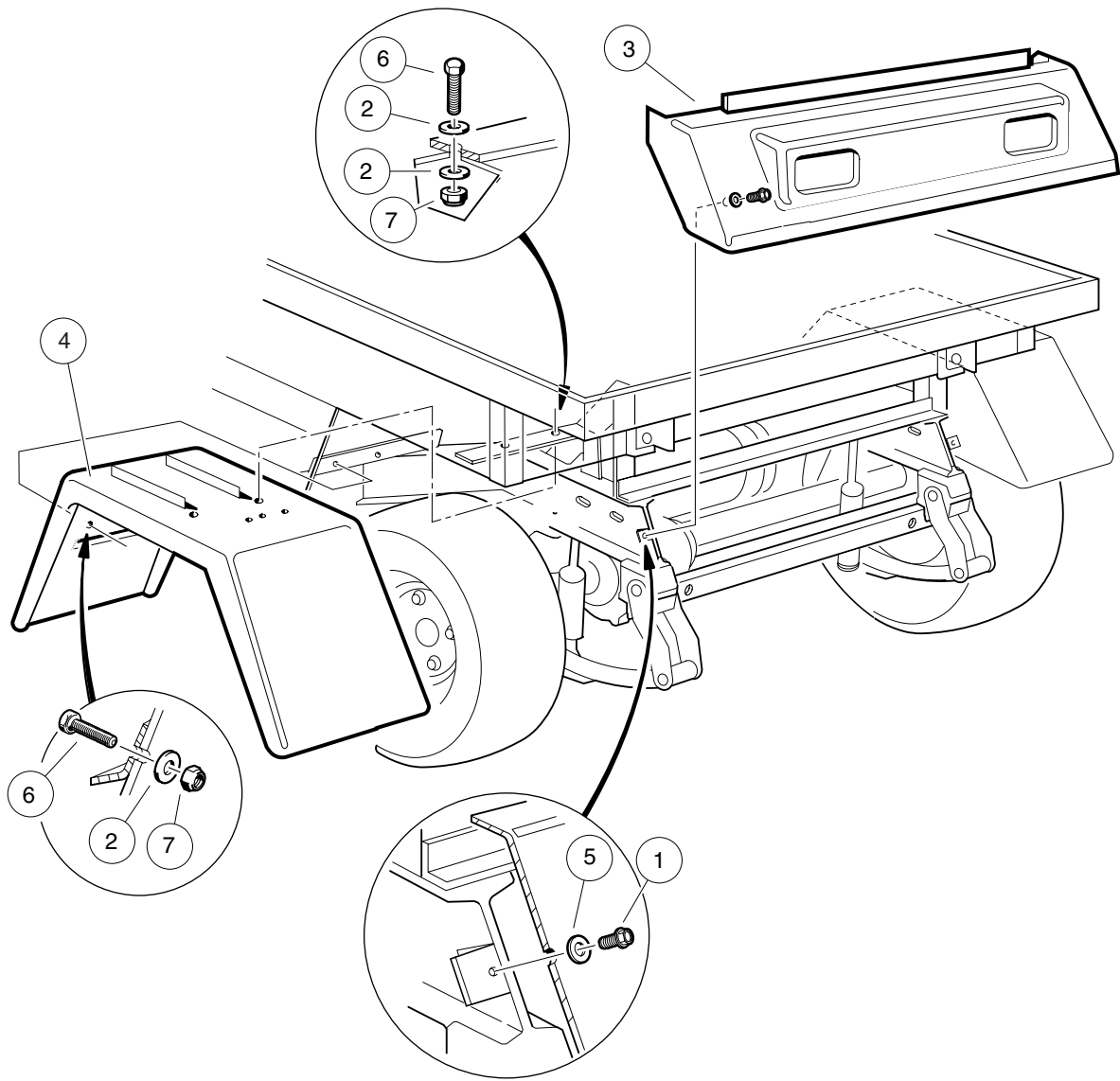


# RECEIVER HITCH – XRT 900

ITEM	PART NO.	DESCRIPTION	QTY
		<b>1 2 3 4</b>	
1	102065103	Kit, Rear Receiver (includes items 2 through 7) .....	1
2	1010934	Screw, 5/16-18 X 1.00 Hex Cap .....	6
3	1011553	Decal, Trailer Hitch .....	1
4	102056001	Receiver Hitch Weld Asm .....	1
5	1241	Washer, 5/16 Type A Flat .....	6
6	1242	Nut, 5/16-18 Hex .....	6
7	7174	Lockwasher, 5/16 Split .....	6

1  
G  
E

**1**  
**G**  
**E**



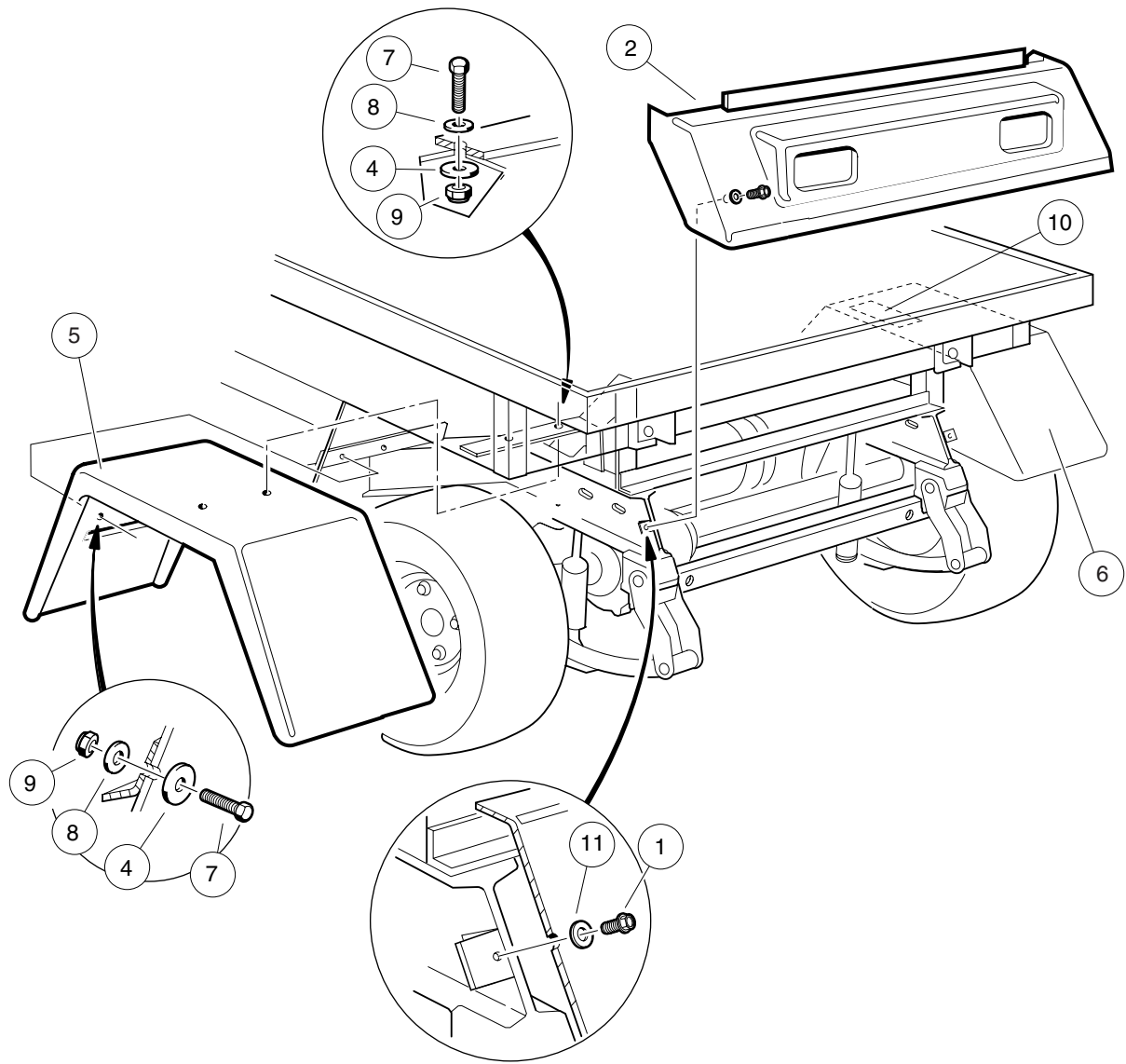
000266-001

# REAR BODY TRIM – TURF/CARRYALL 2, AND CARRYALL 2 PLUS

ITEM	PART NO.	DESCRIPTION	QTY
		<b>1 2 3 4</b>	
1	1012285	Screw, 1/4 X 0.625 Hex-Head .....	2
2	1014306	Washer, 1/4" Type B Flat .....	12
3	1015530	Tailskirt .....	1
4	1016679	Rear Fender .....	2
5	332	Washer, 1/4 Type A Narrow Flat .....	2
6	7847	Screw, 1/4-20 X 0.75 Hex-Head Cap .....	8
7	8233	Locknut, 1/4-20 Nylon Insert .....	8

**1**  
**G**  
**E**

**1**  
**G**  
**E**



000267-001

## REAR BODY TRIM – TURF/CARRYALL 252 AND XRT 900

ITEM	PART NO.	DESCRIPTION	QTY
		<b>1 2 3 4</b>	
1	1012285	Screw, 1/4 X 0.625 Hex-Head .....	2
2	1015530	Tailskirt .....	1
3	N/A	Rear Fender Kit (includes items 4 through 9) .....	1
4	1014306	Washer, 1/4" Type B Flat .....	10
5	102004601	Extended Fender, Rear, Left-Hand .....	1
6	102004602	Extended Fender, Rear, Right-Hand .....	1
7	304	Screw, 1/4-20 X 1.0 Hex-Head Cap .....	8
8	332	Washer, 1/4 Type A Narrow Flat .....	6
9	8233	Locknut, 1/4-20 Nylon Insert .....	8
10	102224001	Decal, Rotating Parts Warning .....	1
11	332	Washer, 1/4 Type A Narrow Flat .....	2

**1**  
**G**  
**E**

**1**

**G**

**E**

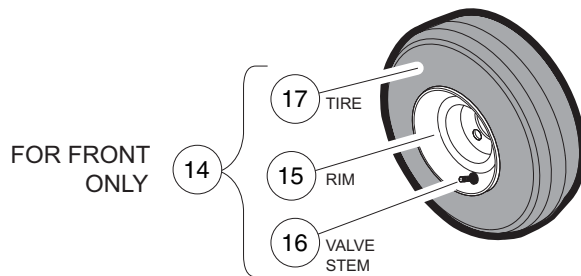
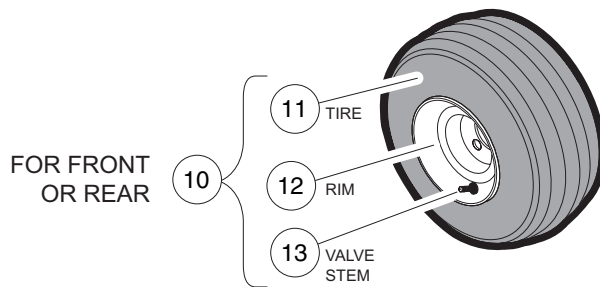
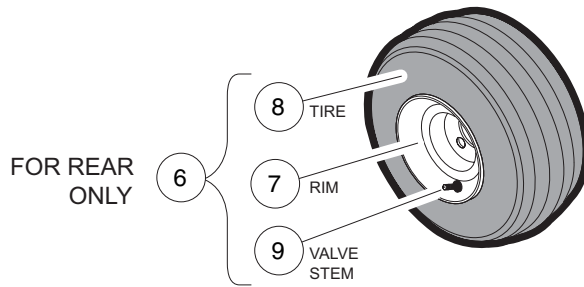
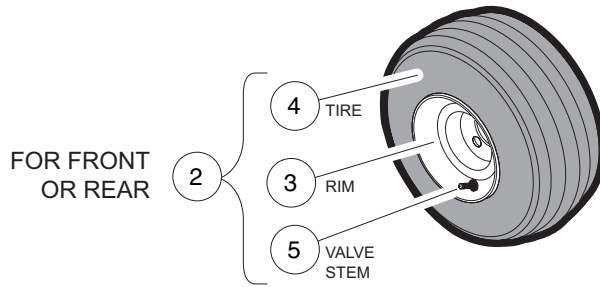
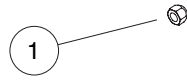
# WHEELS AND TIRES

---

2

G

E



000269-002



## WHEELS AND TIRES – TURF/CARRYALL 2

ITEM	PART NO.	DESCRIPTION	QTY
		<b>1 2 3 4</b>	
1	1010984	.500-20 Unf Lug Nut .....	16
2	101651406	Tire/Wheel Asm, White, Premium Tread, 6-Ply (includes items 3 through 5) .....	4
3	1014771	Wheel Rim, White .....	1
4	101737002	Tire, Unmounted .....	1
5	7310	Valve Stem .....	1
6	101651407	Tire/Wheel Asm, White, Extra-Traction, 6-Ply (includes items 7 through 9) .....	2
7	1014771	Wheel Rim, White .....	1
8	101769302	Tire, Unmounted Xtrac 18 x 8.50-8 .....	1
9	7310	Valve Stem .....	1
10	101651409	Tire/Wheel Asm, White, Premium Tread, 6.5-inch (includes items 11 through 13) .....	4
11	101884901	Tire, Unmounted, Power Rib 18 x 6.50-8 .....	1
12	101918401	Wheel Rim, Beige .....	1
13	7310	Valve Stem .....	1
14	101651414	Tire/Wheel Asm, White, Duro HF 232 (includes items 15 through 17) .....	4
15	101918402	Wheel Rim, White .....	1
16	7310	Valve Stem .....	1
17	****	Tire, Unmounted, 6-Ply Rated (18.5 x 8.5 - 8) (Duro) .....	1
**** Special order item available upon request.			

2

G

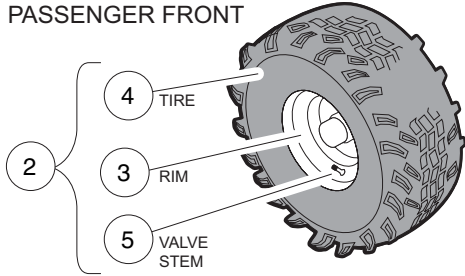
E



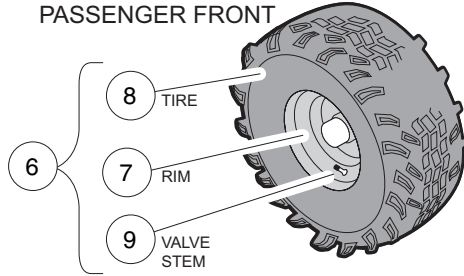
**WHITE RIMS**

**SILVER RIMS**

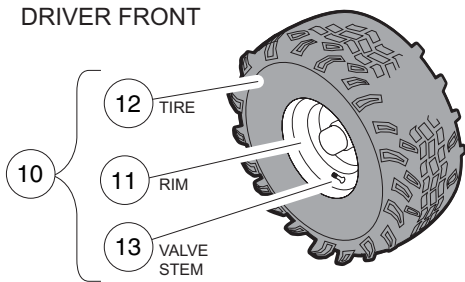
PASSENGER FRONT



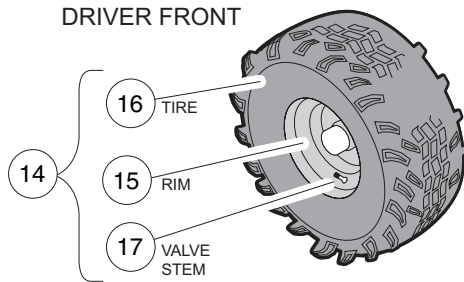
PASSENGER FRONT



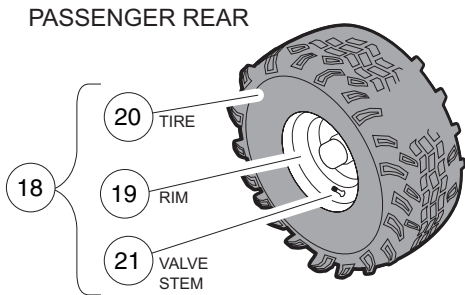
DRIVER FRONT



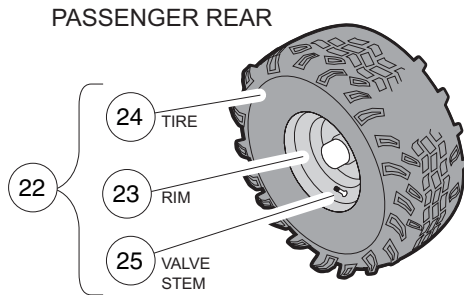
DRIVER FRONT



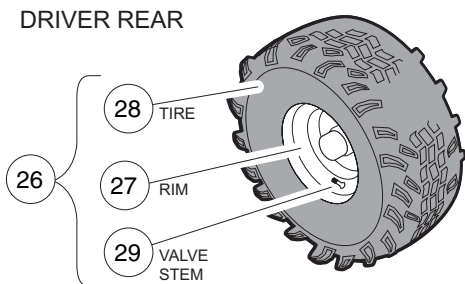
PASSENGER REAR



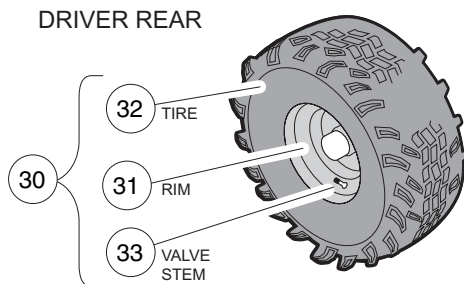
PASSENGER REAR



DRIVER REAR



DRIVER REAR



000269-004

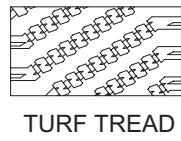
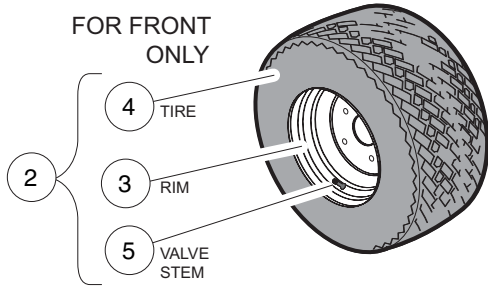
# WHEELS AND TIRES, OFF-ROAD TREAD – TURF/CARRYALL 252 AND XRT 900

ITEM	PART NO.	DESCRIPTION	QTY
		1 2 3 4	
1	1010984	.500-20 Unf Lug Nut .....	16
2	102009201	Off-Road Tire and Wheel Asm, Right, Front (includes items 3 through 5) .....	1
3	N/A	Rim, Wheel, White .....	1
4	N/A	Tire, Unmounted, Duro, Off-Road Tire, 22 x 11-10, 6-Ply Rated .....	1
5	7310	Valve Stem .....	1
6	102009202	Off-Road Tire and Wheel Asm, Right, Front (includes items 7 through 9) .....	1
7	N/A	Wheel Rim, Silver .....	1
8	N/A	Tire, Unmounted, Duro, Off-Road Tire, 22 x 11-10, 6-Ply Rated .....	1
9	7310	Valve Stem .....	1
10	102009301	Off-Road Tire and Wheel Asm, Left, Front (includes items 11 through 13) .....	1
11	N/A	Rim, Wheel, White .....	1
12	N/A	Tire, Unmounted, Duro, Off-Road Tire, 22 x 11-10, 6-Ply Rated .....	1
13	7310	Valve Stem .....	1
14	102009302	Off-Road Tire and Wheel Asm, Left, Front (includes items 15 through 17) .....	1
15	N/A	Wheel Rim, Silver .....	1
16	N/A	Tire, Unmounted, Duro, Off-Road Tire, 22 x 11-10, 6-Ply Rated .....	1
17	7310	Valve Stem .....	1
18	102009401	Off-Road Tire and Wheel Asm, Right, Rear (includes items 19 through 21) .....	1
19	N/A	Rim, Wheel, White .....	1
20	N/A	Tire, Unmounted, Duro, Off-Road Tire, 22 x 11-10, 6-Ply Rated .....	1
21	7310	Valve Stem .....	1
22	102009402	Off-Road Tire and Wheel Asm, Right, Rear (includes items 23 through 25) .....	1
23	N/A	Wheel Rim, Silver .....	1
24	N/A	Tire, Unmounted, Duro, Off-Road Tire, 22 x 11-10, 6-Ply Rated .....	1
25	7310	Valve Stem .....	1
26	102009501	Off-Road Tire and Wheel Asm, Left, Rear (includes items 27 through 29) .....	1
27	N/A	Rim, Wheel, White .....	1
28	N/A	Tire, Unmounted, Duro, Off-Road Tire, 22 x 11-10, 6-Ply Rated .....	1
29	7310	Valve Stem .....	1
30	102009502	Off-Road Tire and Wheel Asm, Left, Rear (includes items 31 through 33) .....	1
31	N/A	Wheel Rim, Silver .....	1
32	N/A	Tire, Unmounted, Duro, Off-Road Tire, 22 x 11-10, 6-Ply Rated .....	1
33	7310	Valve Stem .....	1
<p>Note: Front and rear wheels are NOT interchangeable. The rear wheels have a different offset than the front wheels. The rear wheels must be installed with the deeper offset facing out. Off-road tires are directional.</p>			

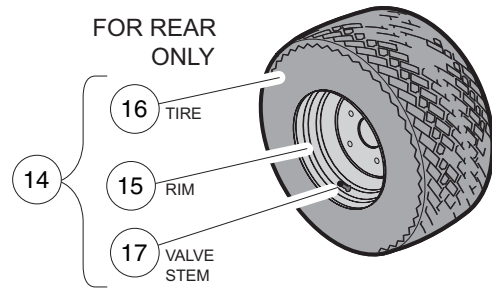
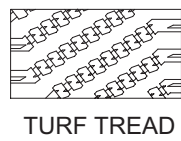
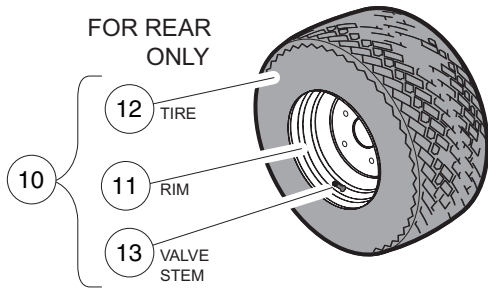
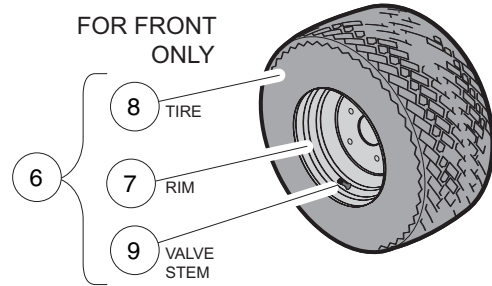
**2**  
**G**  
**E**



**WHITE RIMS**



**SILVER RIMS**



000269-005

# WHEELS AND TIRES, TURF TREAD – TURF/CARRYALL 252 AND XRT 900

ITEM	PART NO.	DESCRIPTION	QTY
		<b>1 2 3 4</b>	
1	1010984	.500-20 Unf Lug Nut .....	16
2	102009901	Turf Tire and Wheel Asm, Front (includes items 3 through 5) .....	2
3	N/A	Rim, Wheel, White .....	1
4	N/A	Tire, Front, Unmounted, Titan Turf Trac, 23 x 10.5-12, 4-Ply Rated .....	1
5	7310	Valve Stem .....	1
6	102009902	Turf Tire and Wheel Asm, Front (includes items 7 through 9) .....	2
7	N/A	Wheel Rim, Silver .....	1
8	N/A	Tire, Front, Unmounted, Titan Turf Trac, 23 x 10.5-12, 4-Ply Rated .....	1
9	7310	Valve Stem .....	1
10	102010001	Turf Tire and Wheel Asm, Rear (includes items 11 through 13) .....	2
11	N/A	Rim, Wheel, White .....	1
12	N/A	Tire, Rear, Unmounted, Titan Turf Trac, 23 x 10.5-12, 4-Ply Rated .....	1
13	7310	Valve Stem .....	1
14	102010002	Turf Tire and Wheel Asm, Rear (includes items 15 through 17) .....	2
15	N/A	Wheel Rim, Silver .....	1
16	N/A	Tire, Rear, Unmounted, Titan Turf Trac, 23 x 10.5-12, 4-Ply Rated .....	1
17	7310	Valve Stem .....	1

**2**  
**G**  
**E**

**2**

**G**

**E**

# DECALS

---

3

G

E

**⚠ WARNING**

**ROLLOVER OR FALLING OFF MAY CAUSE DEATH.**

- Before using vehicle, read operating instructions.
- Remain seated and hold on to seat handle while moving.
- Do not start vehicle until all occupants are seated.
- Two (2) persons per seat maximum.
- Operate from driver side only and not on public roads.
- Keep entire body inside vehicle while moving.
- Drive slowly in turns and straight up and down slopes.
- Do not leave children unattended on vehicle.
- Never operate under the influence of alcohol or drugs.
- Use brakes to reduce speed when coasting downhill.
- Never stand in front of or behind vehicle.

CCI 103205401

**OPERATING INSTRUCTIONS**

- Read owner's manual and dash-mounted safety warnings prior to driving.
- Study and understand controls.

**TO OPERATE**

- Turn wheels to desired direction and ensure path is clear.
- Turn key to ON position.
- While stopped, place Forward/Reverse switch in desired position:  
F=Forward N=Neutral R=Reverse (Buzzer will sound)
- Park brake will release and vehicle will start moving when accelerator pedal is pressed.
- Slowly press accelerator pedal to increase speed.
- To stop, release accelerator pedal and press brake pedal.

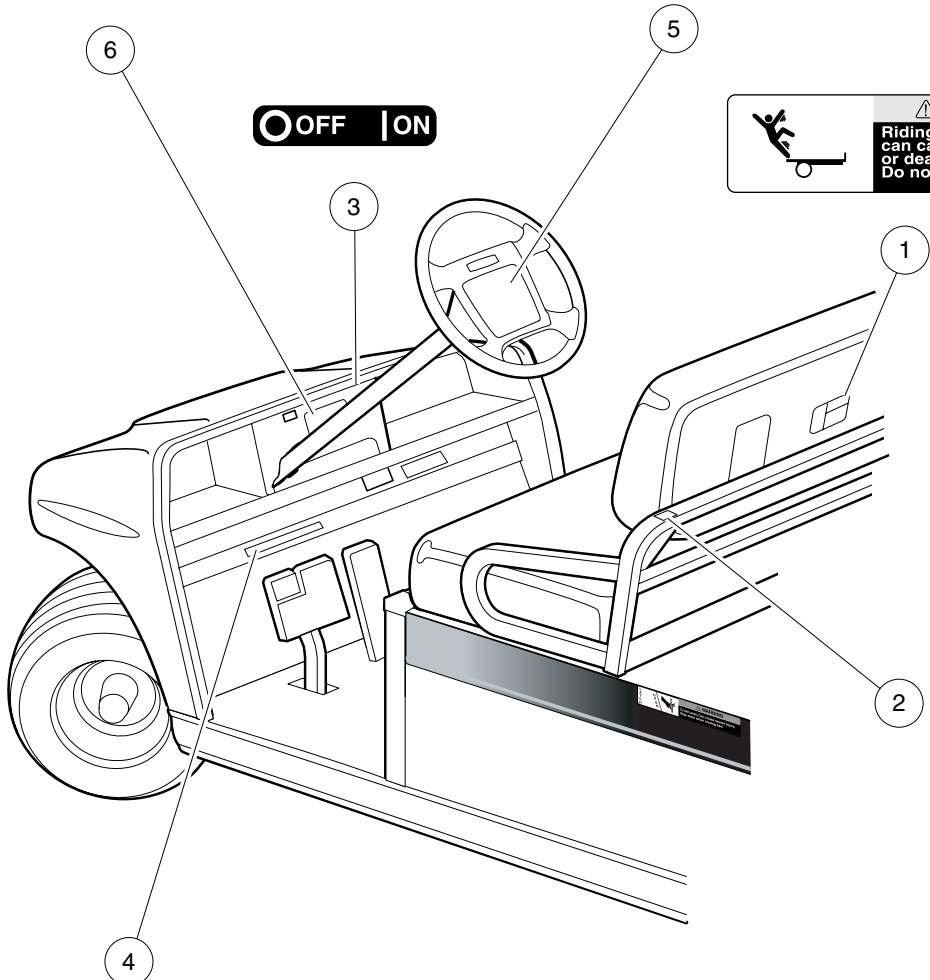
**BEFORE LEAVING**

- Press park brake pedal until it locks and holds vehicle.
- Place Forward/Reverse switch in NEUTRAL position.
- Turn key OFF and remove key when not in use.

**MOTOR BRAKING**

- Electric motor braking provides speed regulation functions.
- For parked vehicle, beeping alarm indicates vehicle roll away.
- In operation, beeping alarm indicates reduction in motor braking.
- Apply brakes to further reduce vehicle speed as required.
- System is activated only when tow switch is in the RUN position.
- When towing this vehicle, tow switch must be in the TOW position.

CCI 102518001



**⚠ WARNING**

**Riding in cargo bed can cause severe injury or death. Do not ride in cargo bed.**

CCI 101553901

**⚠ WARNING**

**CRUSH AREA**

**STAY CLEAR**

CCI 101609401

**VEHICLE LOADING**

Read Owner's Manual and warnings on dash.

- Vehicle rated capacity - 1200 lbs. on level surface only. Weight to include passengers, cargo bed load, and gross trailer weight. See Owner's Manual.
- Maximum cargo load - 800 lbs. Weight to include cargo bed load and gross trailer weight.
- Maximum trailer hitch tongue weight - 150 lbs.

- Cargo should be evenly spread over the floor of the cargo bed as far forward as possible and secured.
- For vehicle stability, when fully loaded, drive slowly and avoid stopping on or backing down steep hills.
- Avoid top heavy loads. See Owner's Manual.
- When driving on uneven terrain or down steep hills, reduce speed and load.

CCI 101960201

000600-001



## DECALS – TURF/CARRYALL 2 IQ PLUS VEHICLES

ITEM	PART NO.	DESCRIPTION	QTY
		1 2 3 4	
1	101553901	Decal, Bed Load Warning .....	1
2	101609401	Decal, Crush Area Warning .....	2
3	101825101	Decal, Off/On .....	1
4	101960201	Decal, Vehicle Loading .....	1
5	102518001	Decal, Operating Instr, Elec .....	1
6	103205401	Decal, Warning, Rollover, Utl .....	1

3  
G  
E

**⚠ WARNING**  
**AVOID FIRE HAZARD**

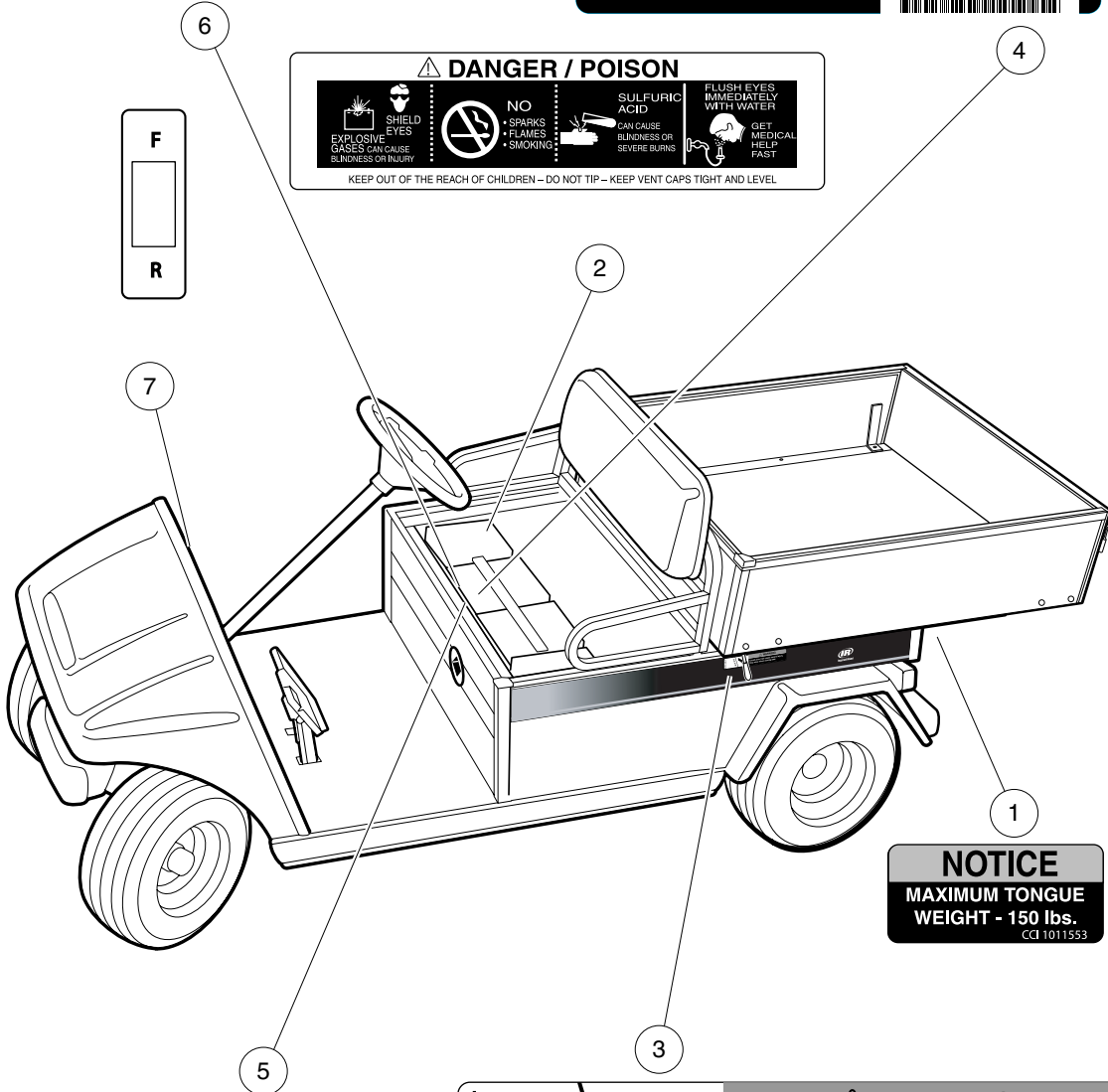
- Replacement battery wires must be 4-gauge (AWG) with low-resistance terminals equivalent to factory-installed wires.
- Ensure that battery connections are clean and properly tightened. See owner's manual.

CCI 102967601

**CAUTION**  
**EXPOSURE TO WATER MAY DAMAGE ELECTRONIC COMPONENTS**

- Do not operate vehicle without this cover properly installed.
- Do not direct water stream in the area of the cover without cover securely in place.
- See vehicle maintenance and service manual before servicing.

CCI 102518301



**⚠ DANGER / POISON**

 <b>EXPLOSIVE</b> GASES CAN CAUSE BLINDNESS OR INJURY	 <b>NO</b> SPARKS FLAMES SMOKING	 <b>SULFURIC ACID</b> CAN CAUSE BLINDNESS OR SEVERE BURNS	 <b>FLUSH EYES</b> IMMEDIATELY WITH WATER  <b>GET MEDICAL</b> HELP FAST
--	--	---	--

KEEP OUT OF THE REACH OF CHILDREN – DO NOT TIP – KEEP VENT CAPS TIGHT AND LEVEL

**NOTICE**  
**MAXIMUM TONGUE WEIGHT - 150 lbs.**

CCI 1011553

**⚠ WARNING**  
**BATTERY EXPLOSION COULD RESULT IN SEVERE PERSONAL INJURY.**

- Do not store items in battery compartment.
- Place Run/Tow switch in TOW position before:
  - Disconnecting or connecting battery cables
  - Towing this vehicle
  - Extended storage
  - Servicing the vehicle

NORMAL		TRIPPED
TOW	RUN	

CCI 102845101

**LATCH OPEN**

**⚠ WARNING**  
**Crush area. Can cause severe injury. Stay clear when closing bed.**

000611-001

# DECALS – TURF/CARRYALL 2 IQ PLUS VEHICLES, CONTINUED

ITEM	PART NO.	DESCRIPTION	QTY
		1 2 3 4	
1	1011553	Decal, Trailer Hitch .....	1
2	1013677	Decal, Battery Danger .....	6
3	102459301	Decal, Bed Crush Area Warning .....	1
4	102518301	Decal, Caution, Electrical Component Cover .....	1
5	102845101	Decal, Tow Switch .....	1
6	102967601	Decal, Warning, 4 Gauge Wire .....	1
7	103210301	Decal, Forward/Reverse, Electric .....	1

3  
G  
E

**WARNING**

**ROLLOVER OR FALLING OFF MAY CAUSE DEATH.**

- Before using vehicle, read operating instructions.
- Remain seated and hold on to seat handle while moving.
- Do not start vehicle until all occupants are seated.
- Two (2) persons per seat maximum.
- Operate from driver side only and not on public roads.
- Keep entire body inside vehicle while moving.
- Drive slowly in turns and straight up and down slopes.
- Do not leave children unattended on vehicle.
- Never operate under the influence of alcohol or drugs.
- Use brakes to reduce speed when coasting downhill.
- Never stand in front of or behind vehicle.

CCI 103205401

**OPERATING INSTRUCTIONS**

- Read owner's manual and dash-mounted safety warnings prior to driving.
- Study and understand controls.

**TO OPERATE**

- Turn wheels to desired direction and ensure path is clear.
- Turn key to ON position.
- While stopped, place Forward/Reverse switch in desired position: F—Forward N—Neutral R—Reverse (Buzzer will sound)
- Park brake will release and vehicle will start moving when accelerator pedal is pressed.
- Slowly press accelerator pedal to increase speed.
- To stop, release accelerator pedal and press brake pedal.

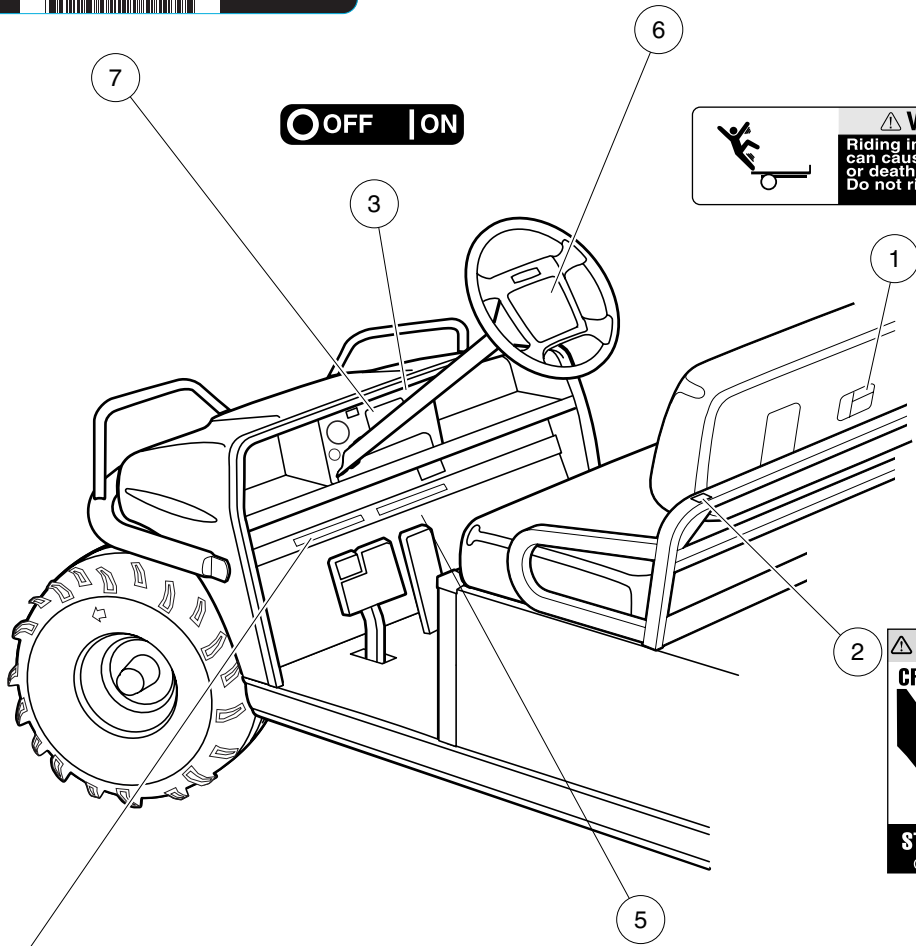
**BEFORE LEAVING**

- Press park brake pedal until it locks and holds vehicle.
- Place Forward/Reverse switch in NEUTRAL position.
- Turn key OFF and remove key when not in use.

**MOTOR BRAKING**


- Electric motor braking provides speed regulation functions.
- For parked vehicle, beeping alarm indicates vehicle roll away.
- In operation, beeping alarm indicates reduction in motor braking.
- Apply brakes to further reduce vehicle speed as required.
- System is activated only when tow switch is in the RUM position.
- When towing this vehicle, tow switch must be in the TOW position.

CCI 102518001



**OFF | ON**

**WARNING**

 Riding in cargo bed can cause severe injury or death. Do not ride in cargo bed.

CCI 101553901

**WARNING**

**CRUSH AREA**



**STAY CLEAR**

CCI 101609401

**UNDER 16**

**WARNING**

**YOUNG DRIVERS INCREASE CHANCE OF DEATH**

- Young drivers may not be able to control vehicle.
- No drivers younger than 16 years old.

CCI 102075801

**VEHICLE LOADING**

Read owner's manual and warnings on dash.

- Vehicle rated capacity - 900 lbs. on level surface only. Weight to include passengers, cargo bed load, and gross trailer weight. See Owner's Manual.
- Maximum cargo load - 500 lbs. Weight to include cargo bed load and gross trailer weight.
- Maximum trailer hitch tongue weight - 150 lbs.
- Cargo should be evenly spread over the floor of the cargo bed as far forward as possible and secured.
- For vehicle stability, when fully loaded, drive slowly and avoid stopping on or backing down steep hills.
- Avoid top heavy loads. See Owner's Manual.
- When driving on uneven terrain or down steep hills, reduce speed and load.

CCI 10206701

000612-001

# DECALS – TURF/CARRYALL 252 AND XRT 900 IQ PLUS VEHICLES

ITEM	PART NO.	DESCRIPTION	QTY
		1 2 3 4	
1	101553901	Decal, Bed Load Warning .....	1
2	101609401	Decal, Crush Area Warning .....	2
3	101825101	Decal, Off/On .....	1
4	102006701	Decal, Vehicle Loading .....	1
5	102075801	Decal, Young Driver Warning .....	1
6	102518001	Decal, Operating Instr, Elec .....	1
7	103205401	Decal, Warning, Rollover, Utl .....	1

**3**  
**G**  
**E**

**⚠ WARNING**  
**AVOID FIRE HAZARD**

- Replacement battery wires must be 4-gauge (AWG) with low-resistance terminals equivalent to factory-installed wires.
- Ensure that battery connections are clean and properly tightened. See owner's manual.

CCI 102967601

**⚠ WARNING**

**WINCH CABLE FRACTURE COULD RESULT IN SERIOUS INJURY OR DEATH.**

- Do not use winch while persons are seated on the vehicle.
- Use remote operation switch for winch control.
- Stand to the side and away from the vehicle to operate winch.
- Read winch operator manual before operating winch.

102231601

**⚠ DANGER / POISON**

**EXPLOSIVE** **SULFURIC ACID** **FLUSH EYES IMMEDIATELY WITH WATER**

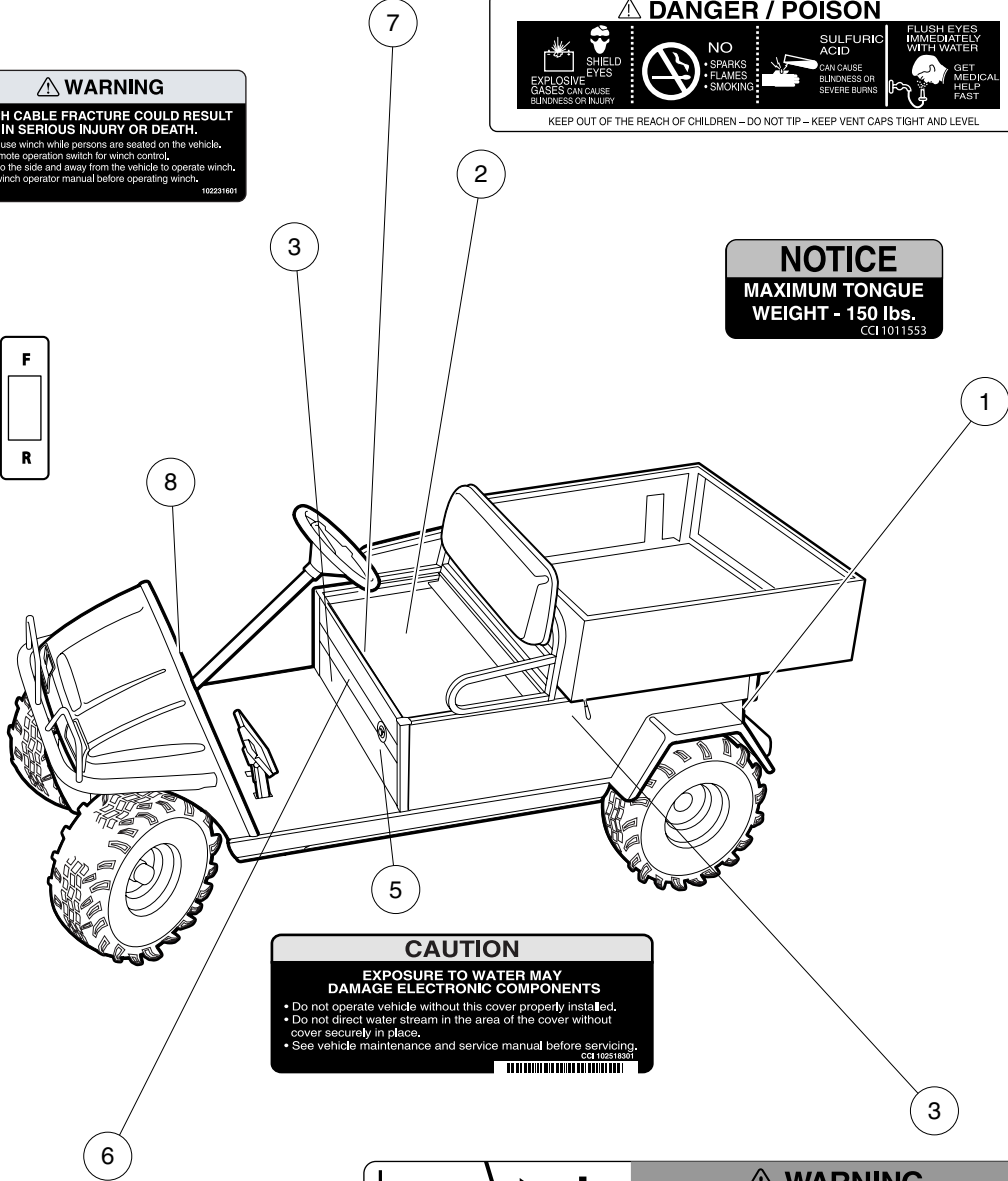
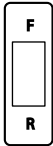
**SHIELD EYES** **NO SPARKS, FLAMES, SMOKING** **GET MEDICAL HELP FAST**

**EXPLOSIVE GASES CAN CAUSE BLINDNESS OR INJURY.** **NO SPARKS, FLAMES, SMOKING** **SULFURIC ACID CAN CAUSE BLINDNESS OR SEVERE BURNS.** **GET MEDICAL HELP FAST**

**KEEP OUT OF THE REACH OF CHILDREN – DO NOT TIP – KEEP VENT CAPS TIGHT AND LEVEL**

**NOTICE**  
**MAXIMUM TONGUE WEIGHT - 150 lbs.**

CCI 1011553



**CAUTION**  
**EXPOSURE TO WATER MAY DAMAGE ELECTRONIC COMPONENTS**

- Do not operate vehicle without this cover properly installed.
- Do not direct water stream in the area of the cover without cover securely in place.
- See vehicle maintenance and service manual before servicing.

CCI 102518301

**⚠ WARNING**  
**BATTERY EXPLOSION COULD RESULT IN SEVERE PERSONAL INJURY.**

- Do not store items in battery compartment.
- Place Run/Tow switch in TOW position before:
  - Disconnecting or connecting battery cables
  - Towing this vehicle
  - Extended storage
  - Servicing the vehicle

**NORMAL** **TRIPPED**  
**TOW** **RUN**

CCI 102845101

**LATCH** **OPEN**

**⚠ WARNING**  
**Crush area. Can cause severe injury. Stay clear when closing bed.**

000613-001

# DECALS – TURF/CARRYALL 252 AND XRT 900 IQ PLUS VEHICLES, CONTINUED

ITEM	PART NO.	DESCRIPTION	QTY
		<b>1 2 3 4</b>	
1	1011553	Decal, Trailer Hitch .....	1
2	1013677	Decal, Battery Danger .....	6
3	102231601	Decal, Winch Cable Fracture Warning .....	A/R
4	102459301	Decal, Bed Crush Area Warning .....	1
5	102518301	Decal, Caution, Electrical Component Cover .....	A/R
6	102845101	Decal, Tow Switch .....	1
7	102967601	Decal, Warning, 4 Gauge Wire .....	1
8	103210301	Decal, Forward/Reverse, Electric .....	1

**3**  
**G**  
**E**

**WARNING**

**ROLLOVER OR FALLING OFF MAY CAUSE DEATH.**

- Before using vehicle, read operating instructions.
- Remain seated and hold on to seat handle while moving.
- Do not start vehicle until all occupants are seated.
- Two (2) persons per seat maximum.
- Operate from driver side only and not on public roads.
- Keep entire body inside vehicle while moving.
- Drive slowly in turns and straight up and down slopes.
- Do not leave children unattended on vehicle.
- Never operate under the influence of alcohol or drugs.
- Use brakes to reduce speed when coasting downhill.
- Never stand in front of or behind vehicle.

CCI 103205401

**OPERATING INSTRUCTIONS**

- Read owner's manual and safety warnings located on dash panel prior to driving.
- Study and understand controls.

**TO OPERATE**

- Turn wheels to desired direction and ensure path is clear.
- Turn key to ON position.
- While stopped, place shift lever in desired position:

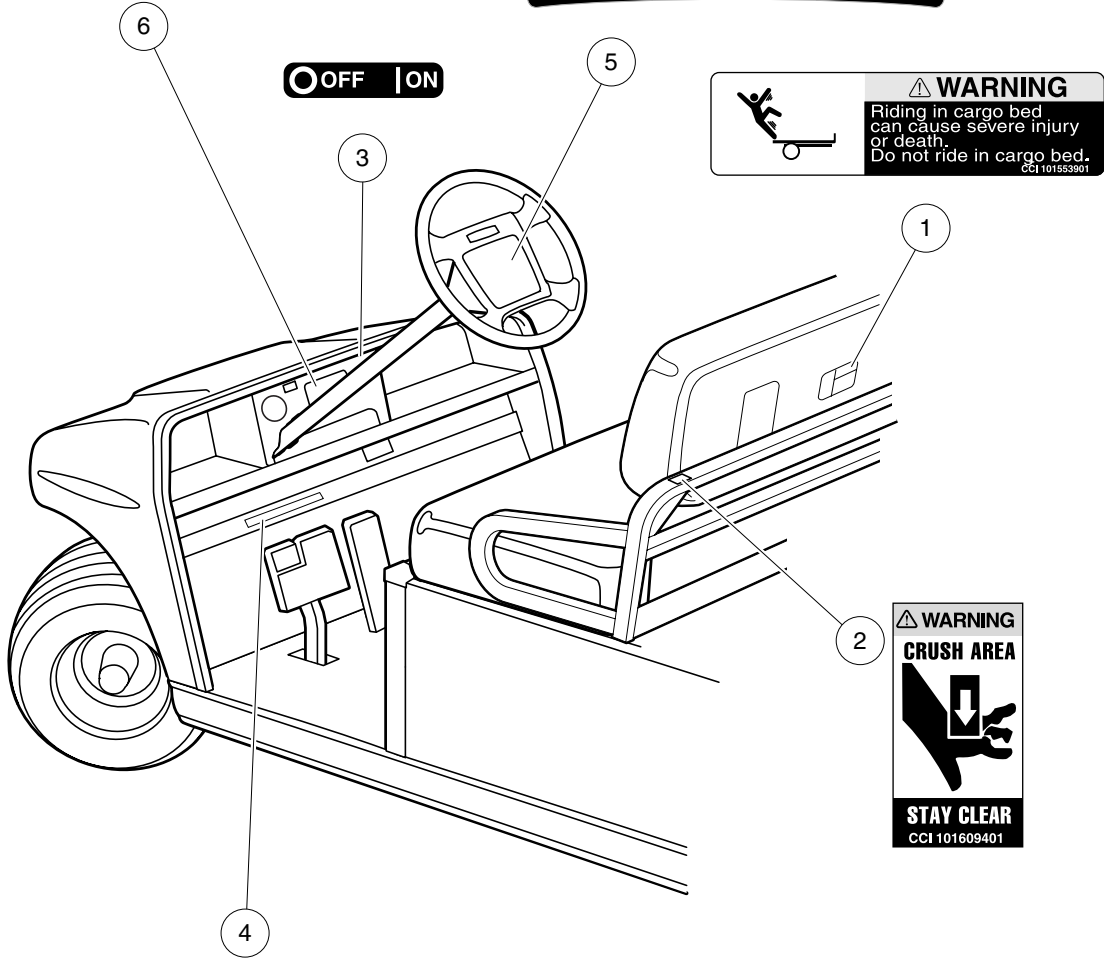
F—Forward N—Neutral R—Reverse (Buzzer will sound)

- Park brake will release and vehicle will start moving when accelerator pedal is pressed.
- Slowly press accelerator pedal to increase speed.
- To stop, release accelerator pedal and press brake pedal.

**BEFORE LEAVING**

- Press park brake pedal until it locks and holds vehicle.
- Place Forward/Reverse switch in NEUTRAL position.
- Turn key OFF and remove key when not in use.

CCI 102519201



**WARNING**

Riding in cargo bed can cause severe injury or death. Do not ride in cargo bed.

CCI 101553901

**WARNING**

**CRUSH AREA**

**STAY CLEAR**

CCI 101609401

**VEHICLE LOADING**

Read Owner's Manual and warnings on dash.

- Vehicle rated capacity - 1200 lbs. on level surface only. Weight to include passengers, cargo bed load, and gross trailer weight. See Owner's Manual.
- Maximum cargo load - 800 lbs. Weight to include cargo bed load and gross trailer weight.
- Maximum trailer hitch tongue weight - 150 lbs.

- Cargo should be evenly spread over the floor of the cargo bed as far forward as possible and secured.
- For vehicle stability, when fully loaded, drive slowly and avoid stopping on or backing down steep hills.
- Avoid top heavy loads. See Owner's Manual.
- When driving on uneven terrain or down steep hills, reduce speed and load.

CCI 101960201

000616-001



## DECALS – TURF/CARRYALL 2 GASOLINE VEHICLES

ITEM	PART NO.	DESCRIPTION	QTY
		1 2 3 4	
1	101553901	Decal, Bed Load Warning .....	1
2	101609401	Decal, Crush Area Warning .....	2
3	101825101	Decal, Off/On .....	1
4	101960201	Decal, Vehicle Loading .....	1
5	102519201	Decal, Operating Instr, Gas .....	1
6	103205401	Decal, Warning, Rollover, Utl .....	1

3  
G  
E

**WARNING**

**GASOLINE EXPLOSION / FIRE.**

- Can cause severe injury or death.
- No smoking, sparks, or open flame.
- Stop engine, allow to cool before refueling.
- Turn fuel valve (←) on during operation. (→) off during storage or transport.

CCI 101547601

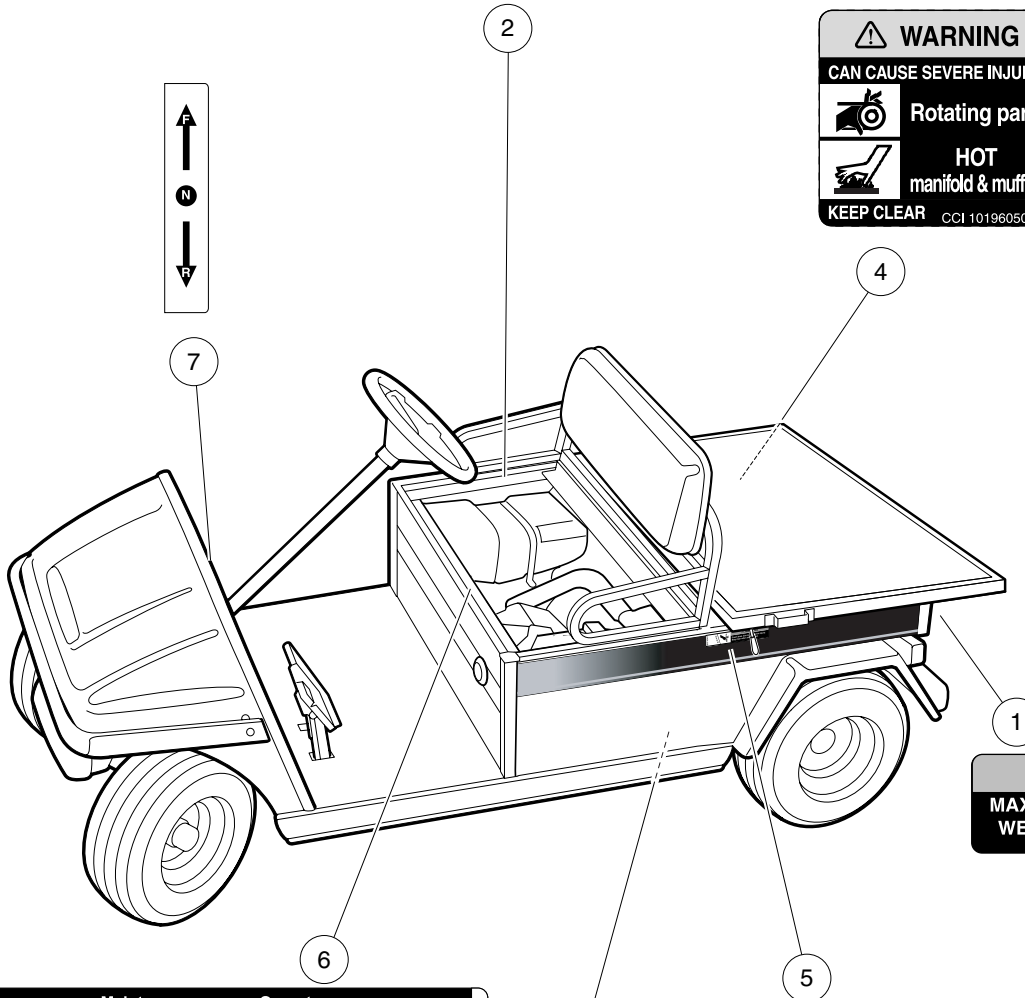
**WARNING**

**CAN CAUSE SEVERE INJURY**

**Rotating parts**

**HOT manifold & muffler**

**KEEP CLEAR** CCI 101960501



**NOTICE**

**MAXIMUM TONGUE WEIGHT - 150 lbs.**

CCI 1011553

Maintenance Operate

**WARNING**

**VEHICLE MOVEMENT MAY CAUSE SERIOUS INJURY**

When switch is in Maintenance position, chock wheels and firmly set park brake.

CCI 103205501

**LATCH OPEN**

**WARNING**

**Crush area. Can cause severe injury. Stay clear when closing bed.**

**WARNING**

Negative frame ground. Can cause severe injury. Do not contact positive (+) battery post or cable to frame. Disconnect negative battery lead first.

**WARNING**

Excessive speed. Can cause severe injury or death. Do not tamper with engine governor adjustment.

CCI 101915201

000617-001

# DECALS – TURF/CARRYALL 2 GASOLINE VEHICLES, CONTINUED

ITEM	PART NO.	DESCRIPTION	QTY
		<b>1 2 3 4</b>	
1	1011553	Decal, Trailer Hitch .....	1
2	101547601	Decal, Gasoline Explosion/Fire Warning .....	1
3	101915201	Decal, Frame Ground and Governor Warning .....	1
4	101960501	Decal, Rotating Parts/Hot Manifold .....	1
5	102459301	Decal, Bed Crush Area Warning .....	1
6	103205501	Decal, Run/Service Switch .....	1
7	103210201	Decal, Forward/Reverse, Gas .....	1

**3**  
**G**  
**E**

**⚠ WARNING**

**ROLLOVER OR FALLING OFF MAY CAUSE DEATH.**

- Before using vehicle, read operating instructions.
- Remain seated and hold on to seat handle while moving.
- Do not start vehicle until all occupants are seated.
- Two (2) persons per seat maximum.
- Operate from driver side only and not on public roads.
- Keep entire body inside vehicle while moving.
- Drive slowly in turns and straight up and down slopes.
- Do not leave children unattended on vehicle.
- Never operate under the influence of alcohol or drugs.
- Use brakes to reduce speed when coasting downhill.
- Never stand in front of or behind vehicle.

CCI 103205401

**OPERATING INSTRUCTIONS**

- Read Owner's Manual and safety warnings located on dash panel prior to driving.
- Study and understand controls.

**TO START ENGINE**

- Place shift lever in "N" - Neutral position.
- Depress brake pedal.
- Turn key switch to "START" position and release.

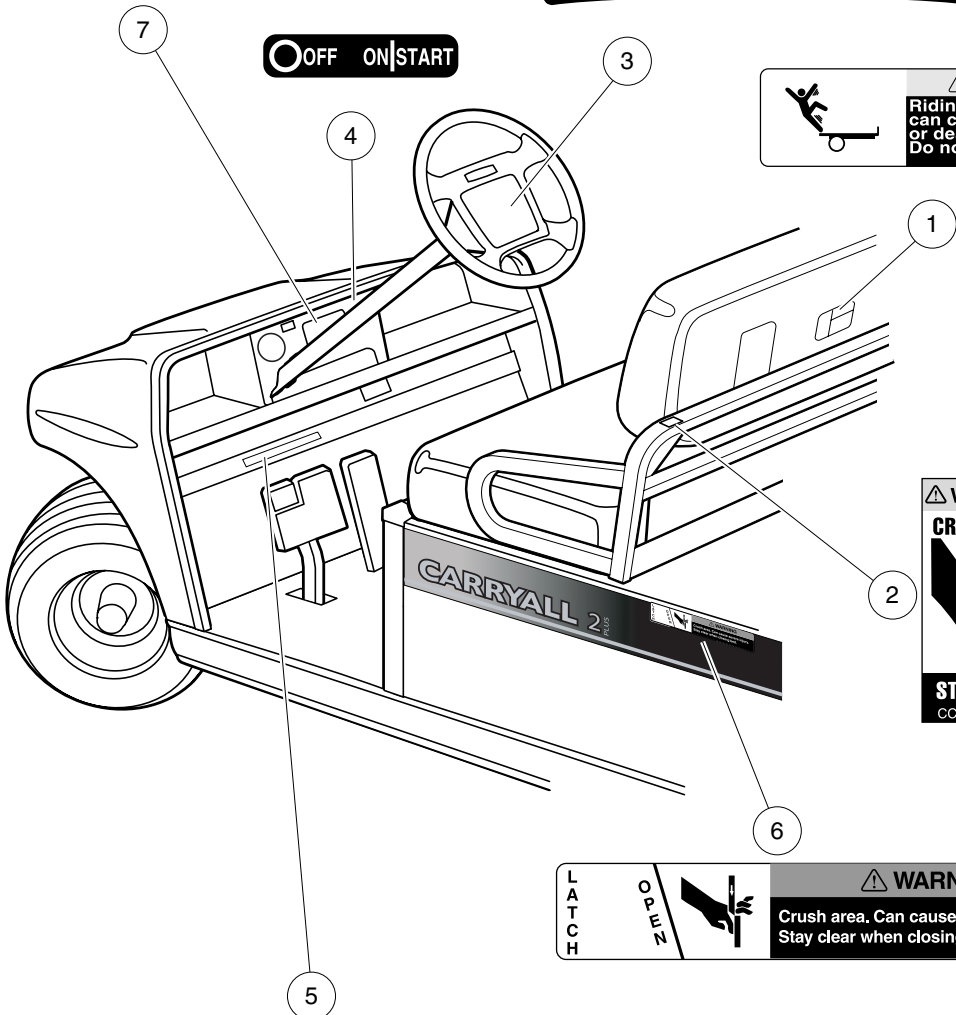
**TO OPERATE VEHICLE**

- Make sure wheels are turned in desired direction.
- Be sure nothing is in your path.
- While vehicle is stopped, and engine is at idle, select vehicle direction by placing shift lever or switch in desired position.
- F - Forward N - Neutral R - Reverse (Buzzer will sound)
- Park brake will release when accelerator pedal is pushed.
- Slowly push accelerator pedal to increase speed.
- Engine must be at idle before moving shift lever.

**TO STOP VEHICLE**

- Release accelerator pedal and push brake pedal.
- After stopping, firmly push park brake until it locks.
- Turn key to "OFF" position, remove key and place shift lever in straight up neutral position when not in use.

CCI 101693201



**OFF ON|START**

**⚠ WARNING**

**Riding in cargo bed can cause severe injury or death. Do not ride in cargo bed.**

CCI 101553901

**⚠ WARNING**

**CRUSH AREA**

**STAY CLEAR**

CCI 101609401

**LATCH OPEN**

**⚠ WARNING**

**Crush area. Can cause severe injury. Stay clear when closing bed.**

**VEHICLE LOADING**

Read Owner's Manual and warnings on dash.

- Vehicle rated capacity - 1200 lbs. on level surface only. Weight to include passengers, cargo bed load, and gross trailer weight. See Owner's Manual.
- Maximum cargo load - 800 lbs. Weight to include cargo bed load and gross trailer weight.
- Maximum trailer hitch tongue weight - 150 lbs.

- Cargo should be evenly spread over the floor of the cargo bed as far forward as possible and secured.
- For vehicle stability, when fully loaded, drive slowly and avoid stopping on or backing down steep hills.
- Avoid top heavy loads. See Owner's Manual.
- When driving on uneven terrain or down steep hills, reduce speed and load.

CCI 101960201

000618-001

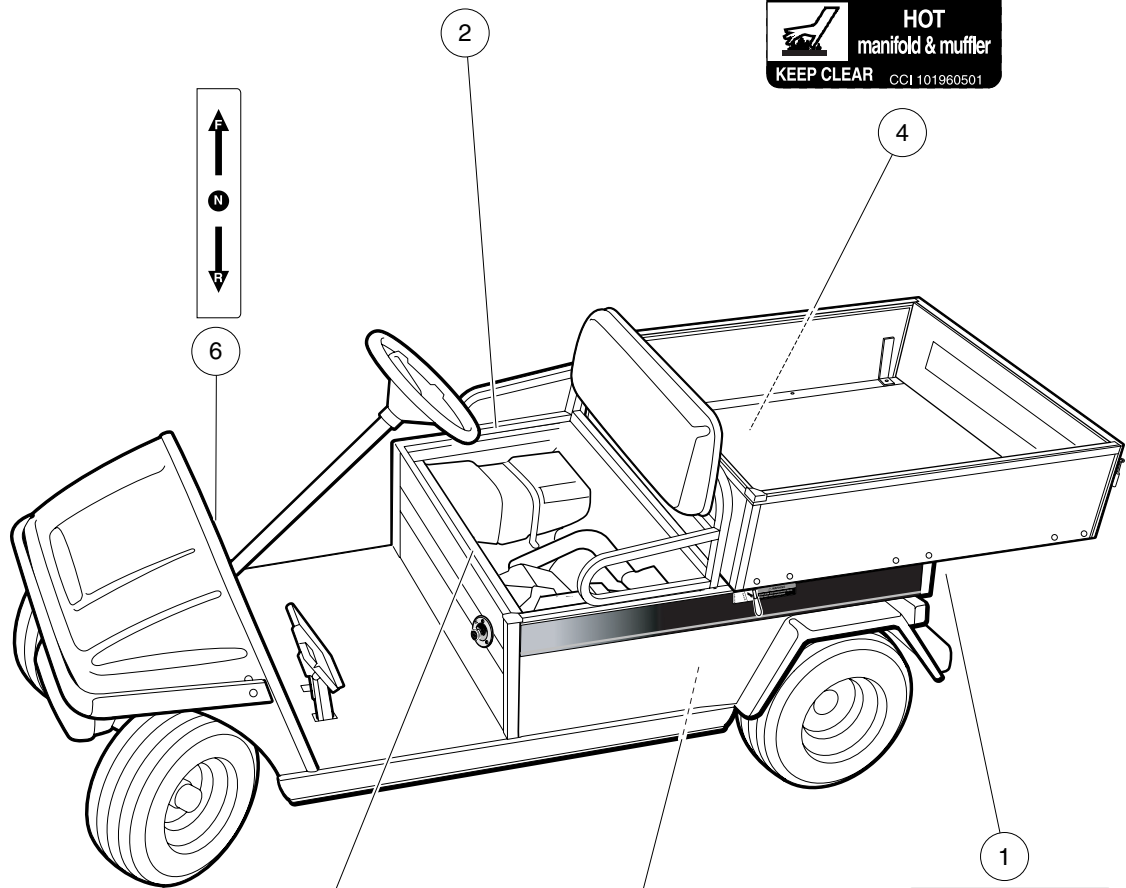
## DECALS – CARRYALL 2 PLUS GASOLINE VEHICLES

ITEM	PART NO.	DESCRIPTION	QTY
		1 2 3 4	
1	101553901	Decal, Bed Load Warning .....	1
2	101609401	Decal, Crush Area Warning .....	2
3	101693201	Decal, Operating Instructions, Key-Start .....	1
4	101825102	Decal, Off/On/Start .....	1
5	101960201	Decal, Vehicle Loading .....	1
6	102459301	Decal, Bed Crush Area Warning .....	1
7	103205401	Decal, Warning, Rollover, Utl .....	1

3  
G  
E

**⚠ WARNING**  
**GASOLINE EXPLOSION / FIRE.**  
 • Can cause severe injury or death.  
 • No smoking, sparks, or open flame.  
 • Stop engine, allow to cool before refueling.  
 • Turn fuel valve (↔) on during operation.  
 (←) off during storage or transport.  
 CCI 101547601


**⚠ WARNING**  
**CAN CAUSE SEVERE INJURY**  
 **Rotating parts**  
 **HOT manifold & muffler**  
**KEEP CLEAR** CCI 101960501



**NOTICE**  
**MAXIMUM TONGUE WEIGHT - 150 lbs.**  
 CCI 1011553

Maintenance Operate  
**⚠ WARNING**  
**VEHICLE MOVEMENT MAY CAUSE SERIOUS INJURY**  
 When switch is in Maintenance position, chock wheels and firmly set park brake.  
 CCI 103205501

3

	<p><b>⚠ WARNING</b>                  Negative frame ground. Can cause severe injury. Do not contact positive (+) battery post or cable to frame. Disconnect negative battery lead first.</p>		<p><b>⚠ WARNING</b>                  Excessive speed. Can cause severe injury or death. Do not tamper with engine governor adjustment.                  CCI 101915201</p>
---	--	---	---

000619-001

# DECALS – CARRYALL 2 PLUS GASOLINE VEHICLES, CONTINUED

ITEM	PART NO.	DESCRIPTION	QTY
		<b>1 2 3 4</b>	
1	1011553	Decal, Trailer Hitch .....	1
2	101547601	Decal, Gasoline Explosion/Fire Warning .....	1
3	101915201	Decal, Frame Ground and Governor Warning .....	1
4	101960501	Decal, Rotating Parts/Hot Manifold .....	1
5	103205501	Decal, Run/Service Switch .....	1
6	103210201	Decal, Forward/Reverse, Gas .....	1

**3**  
**G**  
**E**

**WARNING**

**ROLLOVER OR FALLING OFF MAY CAUSE DEATH.**

- Before using vehicle, read operating instructions.
- Remain seated and hold on to seat handle while moving.
- Do not start vehicle until all occupants are seated.
- Two (2) persons per seat maximum.
- Operate from driver side only and not on public roads.
- Keep entire body inside vehicle while moving.
- Drive slowly in turns and straight up and down slopes.
- Do not leave children unattended on vehicle.
- Never operate under the influence of alcohol or drugs.
- Use brakes to reduce speed when coasting downhill.
- Never stand in front of or behind vehicle.

CCI 103205401

**OPERATING INSTRUCTIONS**

- Read owner's manual and safety warnings located on dash panel prior to driving.
- Study and understand controls.

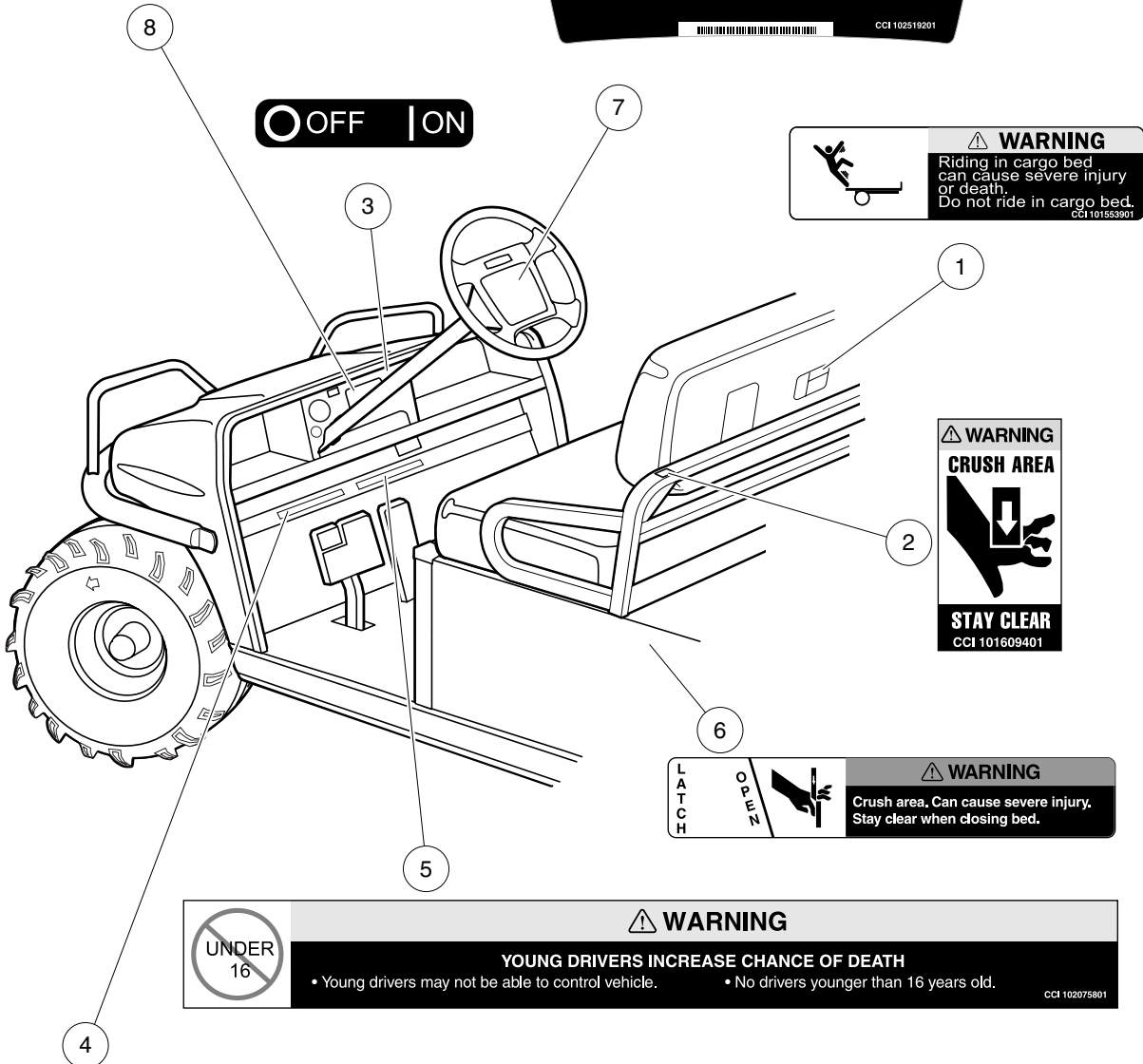
**TO OPERATE**

- Turn wheels to desired direction and ensure path is clear.
- Turn key to ON position.
- While stopped, place shift lever in desired position:  
F—Forward N—Neutral R—Reverse (Buzzer will sound)
- Park brake will release and vehicle will start moving when accelerator pedal is pressed.
- Slowly press accelerator pedal to increase speed.
- To stop, release accelerator pedal and press brake pedal.

**BEFORE LEAVING**

- Press park brake pedal until it locks and holds vehicle.
- Place Forward/Reverse switch in NEUTRAL position.
- Turn key OFF and remove key when not in use.

CCI 102519201



**WARNING**

Riding in cargo bed can cause severe injury or death. Do not ride in cargo bed.

CCI 101553901

**WARNING**

**CRUSH AREA**

**STAY CLEAR**

CCI 101609401

**WARNING**

Crush area. Can cause severe injury. Stay clear when closing bed.

**WARNING**

**YOUNG DRIVERS INCREASE CHANCE OF DEATH**

- Young drivers may not be able to control vehicle.
- No drivers younger than 16 years old.

CCI 102075801

**VEHICLE LOADING**

Read owner's manual and warnings on dash.

- Vehicle rated capacity - 900 lbs. on level surface only. Weight to include passengers, cargo bed load, and gross trailer weight. See Owner's Manual.
- Maximum cargo load - 500 lbs. Weight to include cargo bed load and gross trailer weight.
- Maximum trailer hitch tongue weight - 150 lbs.

- Cargo should be evenly spread over the floor of the cargo bed as far forward as possible and secured.
- For vehicle stability, when fully loaded, drive slowly and avoid stopping on or backing down steep hills.
- Avoid top heavy loads. See Owner's Manual.
- When driving on uneven terrain or down steep hills, reduce speed and load.

CCI 102006701

000620-001



## DECALS – TURF/CARRYALL 252 GASOLINE VEHICLES

ITEM	PART NO.	DESCRIPTION	QTY
		1 2 3 4	
1	101553901	Decal, Bed Load Warning .....	1
2	101609401	Decal, Crush Area Warning .....	2
3	101825101	Decal, Off/On .....	1
4	102006701	Decal, Vehicle Loading .....	1
5	102075801	Decal, Young Driver Warning .....	1
6	102459301	Decal, Bed Crush Area Warning .....	1
7	102519201	Decal, Operating Instr, Gas .....	1
8	103205401	Decal, Warning, Rollover, Utl .....	1

**3**  
**G**  
**E**

**⚠ WARNING**  
**GASOLINE EXPLOSION / FIRE.**

- Can cause severe injury or death.
- No smoking, sparks, or open flame.
- Stop engine, allow to cool before refueling.
- Turn fuel valve (←) on during operation, (→) off during storage or transport.

CCI 101547601

Maintenance Operate

**⚠ WARNING**

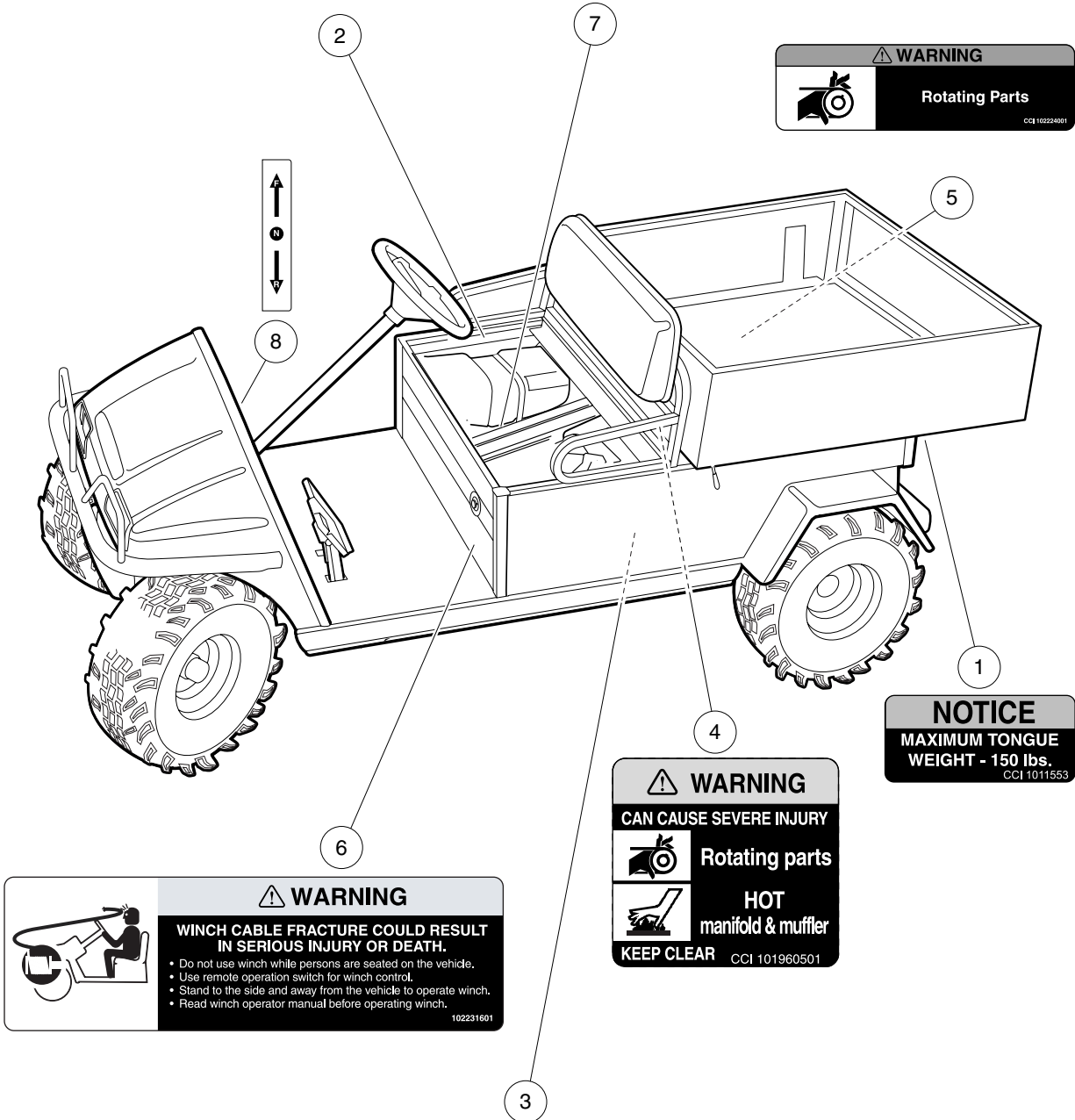
**VEHICLE MOVEMENT MAY CAUSE SERIOUS INJURY**  
When switch is in Maintenance position, chock wheels and firmly set park brake.

CCI 103205001

**⚠ WARNING**

**Rotating Parts**

CCI 102204001



**NOTICE**  
**MAXIMUM TONGUE WEIGHT - 150 lbs.**

CCI 1011553

**⚠ WARNING**  
**CAN CAUSE SEVERE INJURY**

**Rotating parts**

**HOT**  
manifold & muffler

**KEEP CLEAR** CCI 101960501

**⚠ WARNING**

**WINCH CABLE FRACTURE COULD RESULT IN SERIOUS INJURY OR DEATH.**

- Do not use winch while persons are seated on the vehicle.
- Use remote operation switch for winch control.
- Stand to the side and away from the vehicle to operate winch.
- Read winch operator manual before operating winch.

102231601

**⚠ WARNING**

**Negative frame ground. Can cause severe injury. Do not contact positive (+) battery post or cable to frame. Disconnect negative battery cable first.**

**⚠ WARNING**

**Excessive speed can cause severe injury or death. Do not tamper with engine governor adjustment.**

CCI 101915201

000621-001

## DECALS – TURF/CARRYALL 252 GASOLINE VEHICLES, CONTINUED

ITEM	PART NO.	DESCRIPTION	QTY
		1 2 3 4	
1	1011553	Decal, Trailer Hitch .....	1
2	101547601	Decal, Gasoline Explosion/Fire Warning .....	1
3	101915201	Decal, Frame Ground and Governor Warning .....	1
4	101960501	Decal, Rotating Parts/Hot Manifold .....	1
5	102224001	Decal, Rotating Parts Warning .....	1
6	102231601	Decal, Winch Cable Fracture Warning .....	1
7	103205501	Decal, Run/Service Switch .....	1
8	103210201	Decal, Forward/Reverse, Gas .....	1

**3**  
**G**  
**E**

**⚠ WARNING**  
**ROLLOVER OR FALLING OFF MAY CAUSE DEATH.**

- Before using vehicle, read operating instructions.
- Remain seated and hold on to seat handle while moving.
- Do not start vehicle until all occupants are seated.
- Two (2) persons per seat maximum.
- Operate from driver side only and not on public roads.
- Keep entire body inside vehicle while moving.
- Drive slowly in turns and straight up and down slopes.
- Do not leave children unattended on vehicle.
- Never operate under the influence of alcohol or drugs.
- Use brakes to reduce speed when coasting downhill.
- Never stand in front of or behind vehicle.

CCI 1019606-01

**OPERATING INSTRUCTIONS**

- Read Owner's Manual and safety warnings located on dash panel prior to driving.
- Study and understand controls.

**TO START ENGINE**

- Place shift lever in "N" - Neutral position.
- Depress brake pedal.
- Turn key switch to "START" position and release.

**TO OPERATE VEHICLE**

- Make sure wheels are turned in desired direction.
- Be sure nothing is in your path.

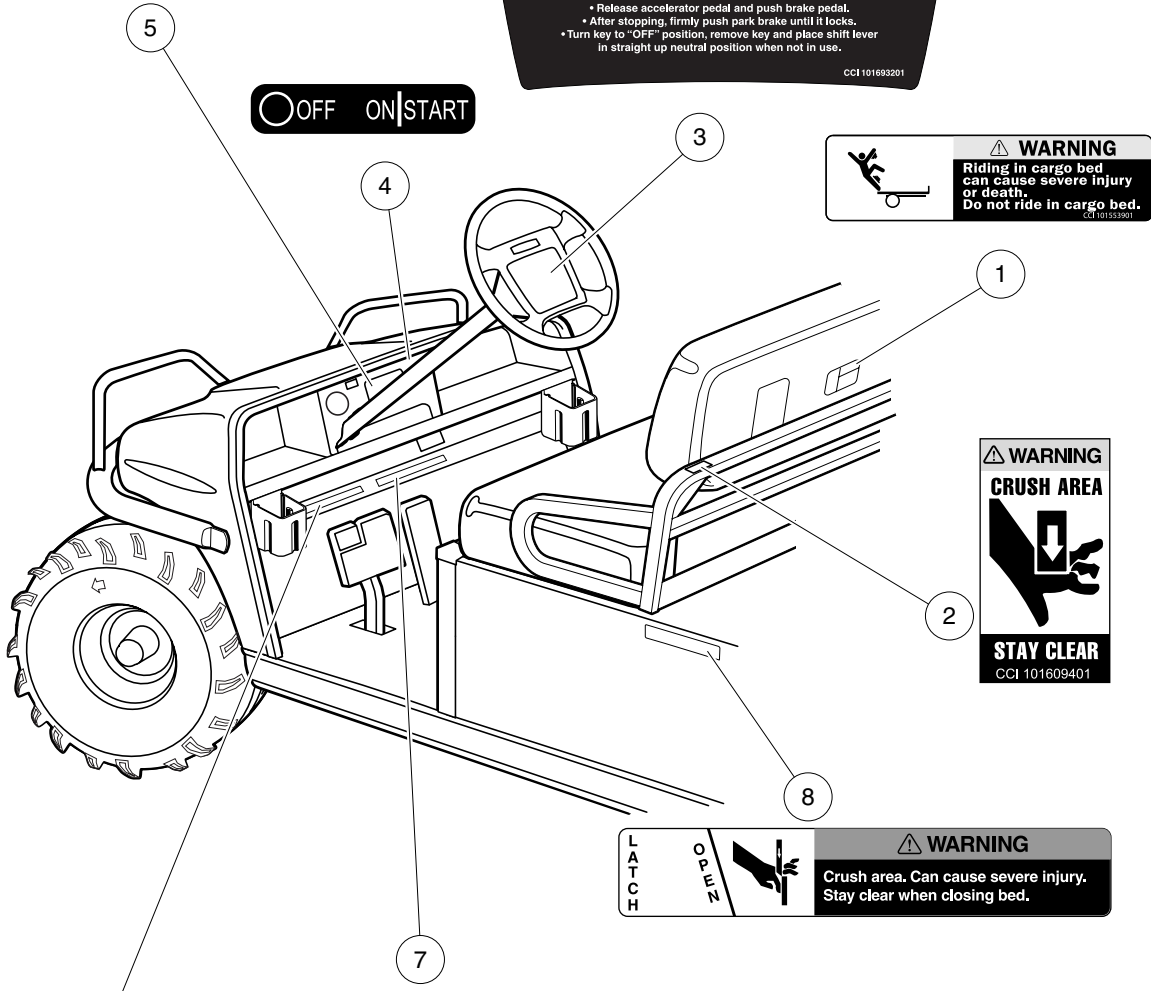
• While vehicle is stopped, and engine is at idle, select vehicle direction by placing shift lever or switch in desired position.  
 F - Forward N - Neutral R - Reverse (Buzzer will sound)

- Park brake will release when accelerator pedal is pushed.
- Slowly push accelerator pedal to increase speed.
- Engine must be at idle before moving shift lever.

**TO STOP VEHICLE**

- Release accelerator pedal and push brake pedal.
- After stopping, firmly push park brake until it locks.
- Turn key to "OFF" position, remove key and place shift lever in straight up neutral position when not in use.

CCI 101693201



**⚠ WARNING**  
 Riding in cargo bed can cause severe injury or death. Do not ride in cargo bed.  
 CCI 101553901

**⚠ WARNING**  
**CRUSH AREA**  
**STAY CLEAR**  
 CCI 101609401

**⚠ WARNING**  
 Crush area. Can cause severe injury. Stay clear when closing bed.

**⚠ WARNING**  
**YOUNG DRIVERS INCREASE CHANCE OF DEATH**

**UNDER 16**

- Young drivers may not be able to control vehicle.
- No drivers younger than 16 years old.

CCI 102075801

**VEHICLE LOADING**  
 Read owner's manual and warnings on dash.

- Vehicle rated capacity - 900 lbs. on level surface only. Weight to include passengers, cargo bed load, and gross trailer weight. See Owner's Manual.
- Maximum cargo load - 500 lbs. Weight to include cargo bed load and gross trailer weight.
- Maximum trailer hitch tongue weight - 150 lbs.
- Cargo should be evenly spread over the floor of the cargo bed as far forward as possible and secured.
- For vehicle stability, when fully loaded, drive slowly and avoid stopping on or backing down steep hills.
- Avoid top heavy loads. See Owner's Manual.
- When driving on uneven terrain or down steep hills, reduce speed and load.

CCI 102006701

000622-001

## DECALS – XRT 900 GASOLINE VEHICLES

ITEM	PART NO.	DESCRIPTION	QTY
		<b>1 2 3 4</b>	
1	101553901	Decal, Bed Load Warning .....	1
2	101609401	Decal, Crush Area Warning .....	1
3	101693201	Decal, Operating Instructions, Key-Start .....	1
4	101825102	Decal, Off/On/Start .....	1
5	101960601	Decal, Dash Warning .....	1
6	102006701	Decal, Vehicle Loading .....	1
7	102075801	Decal, Young Driver Warning .....	1
8	102459301	Decal, Bed Crush Area Warning .....	1

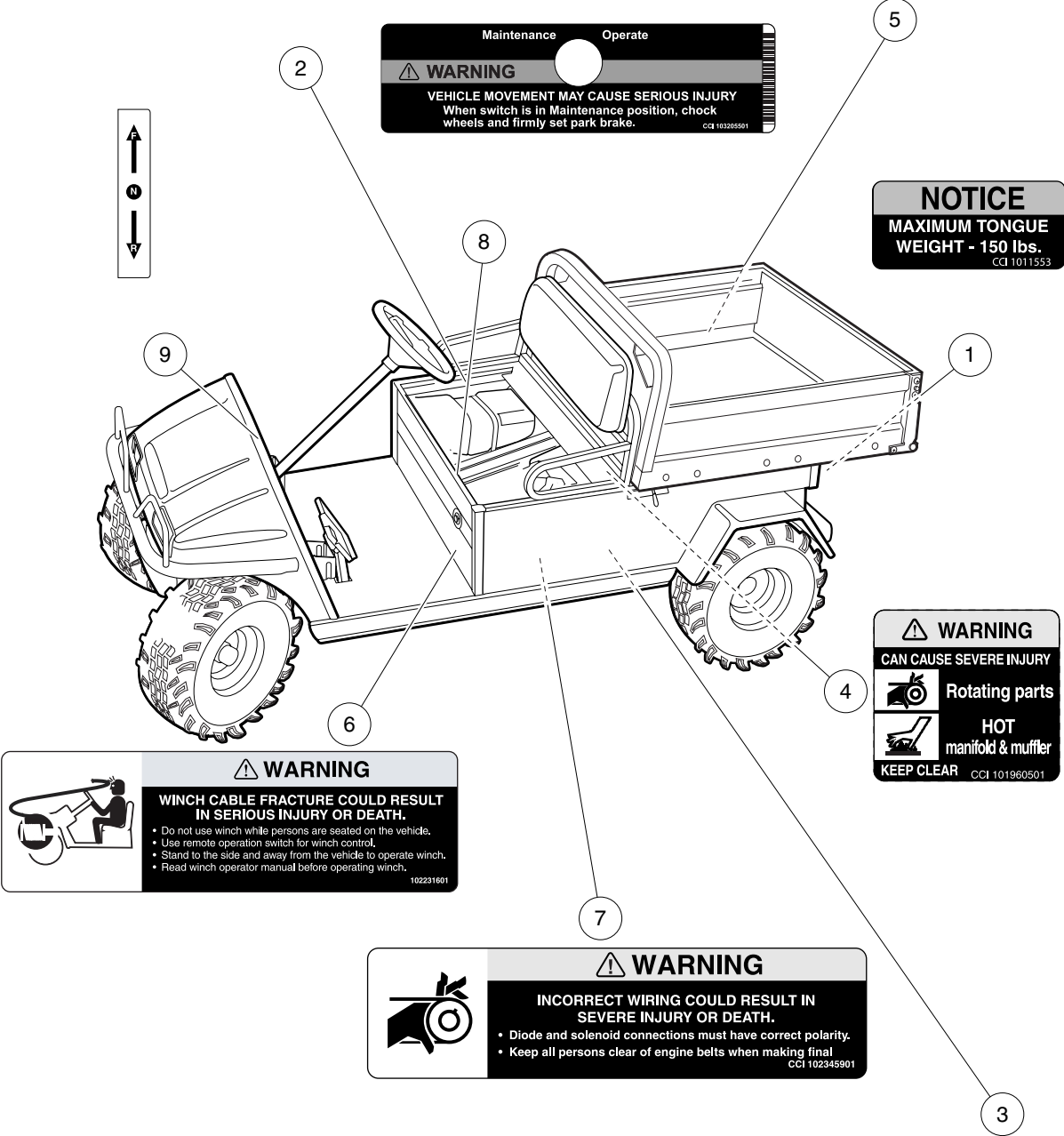
**3**  
**G**  
**E**

**WARNING**  
**GASOLINE EXPLOSION / FIRE.**  
 • Can cause severe injury or death.  
 • No smoking, sparks, or open flame.  
 • Stop engine, allow to cool before refueling.  
 • Turn fuel valve (—) on during operation.  
 (→) off during storage or transport.  
 CCI 101547691

**WARNING**  
**Rotating Parts**  
 CCI 100298001

Maintenance Operate  
**WARNING**  
**VEHICLE MOVEMENT MAY CAUSE SERIOUS INJURY**  
 When switch is in Maintenance position, chock wheels and firmly set park brake.  
 CCI 102205501

**NOTICE**  
**MAXIMUM TONGUE WEIGHT - 150 lbs.**  
 CCI 1011553



**WARNING**  
**WINCH CABLE FRACTURE COULD RESULT IN SERIOUS INJURY OR DEATH.**  
 • Do not use winch while persons are seated on the vehicle.  
 • Use remote operation switch for winch control.  
 • Stand to the side and away from the vehicle to operate winch.  
 • Read winch operator manual before operating winch.  
 102231601

**WARNING**  
**CAN CAUSE SEVERE INJURY**  
**Rotating parts**  
**HOT manifold & muffler**  
**KEEP CLEAR** CCI 101960501

**WARNING**  
**INCORRECT WIRING COULD RESULT IN SEVERE INJURY OR DEATH.**  
 • Diode and solenoid connections must have correct polarity.  
 • Keep all persons clear of engine belts when making final  
 CCI 102345901

**WARNING**  
**Negative frame ground. Can cause severe injury.**  
 Do not contact positive (+) battery post or cable to frame. Disconnect negative battery cable first.

**WARNING**  
**Excessive speed can cause severe injury or death. Do not tamper with engine governor adjustment.**  
 CCI 101915201

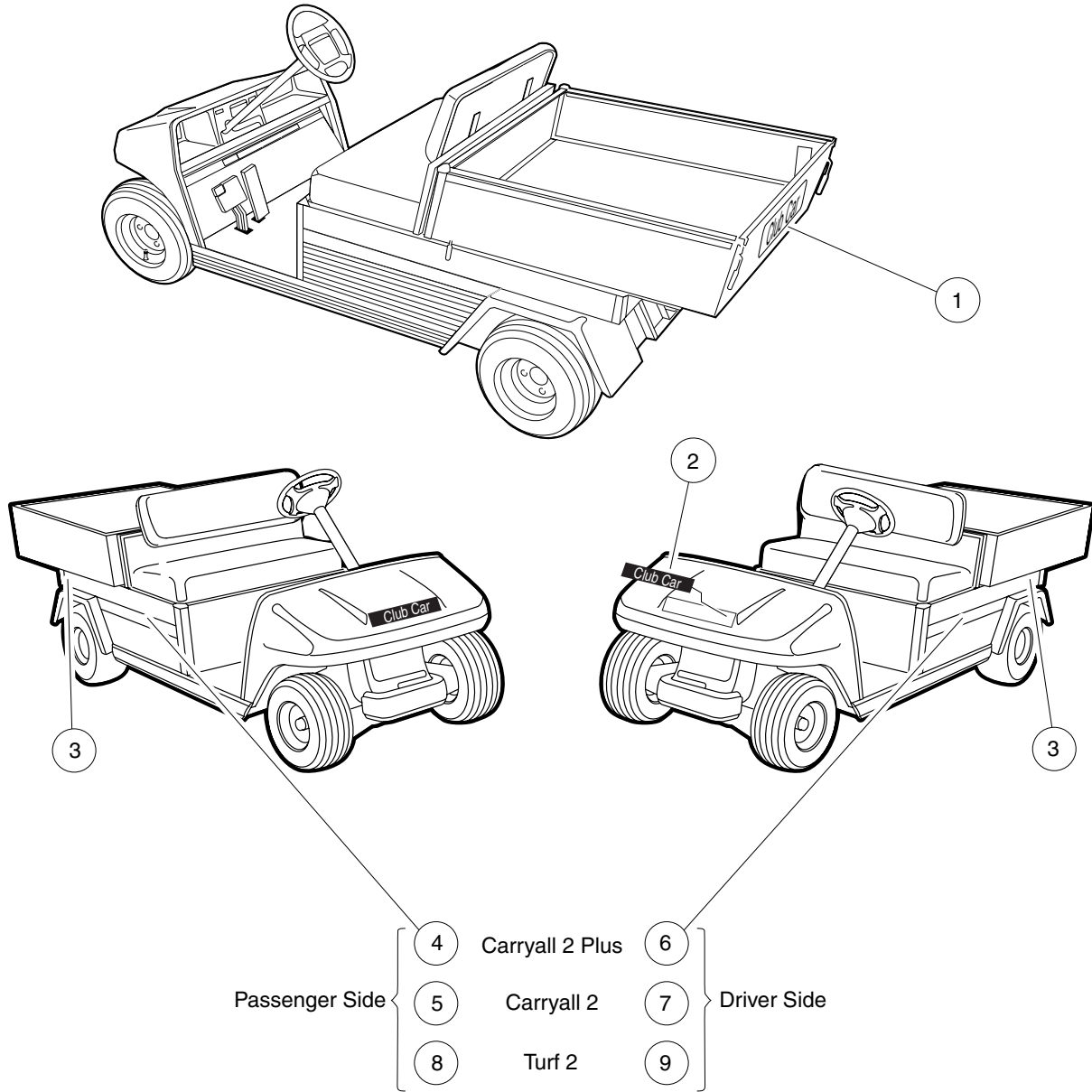
000623-001

## DECALS – XRT 900 GASOLINE VEHICLES, CONTINUED

ITEM	PART NO.	DESCRIPTION	QTY
		1 2 3 4	
1	1011553	Decal, Trailer Hitch .....	1
2	101547601	Decal, Gasoline Explosion/Fire Warning .....	1
3	101915201	Decal, Frame Ground and Governor Warning .....	A/R
4	101960501	Decal, Rotating Parts/Hot Manifold .....	1
5	102224001	Decal, Rotating Parts Warning .....	1
6	102231601	Decal, Winch Cable Fracture Warning .....	1
7	102345901	Decal, Diode Safety .....	1
8	103205501	Decal, Run/Service Switch .....	1
9	103210201	Decal, Forward/Reverse, Gas .....	1

**3**  
**G**  
**E**

**LOGO DECALS**



000287-004

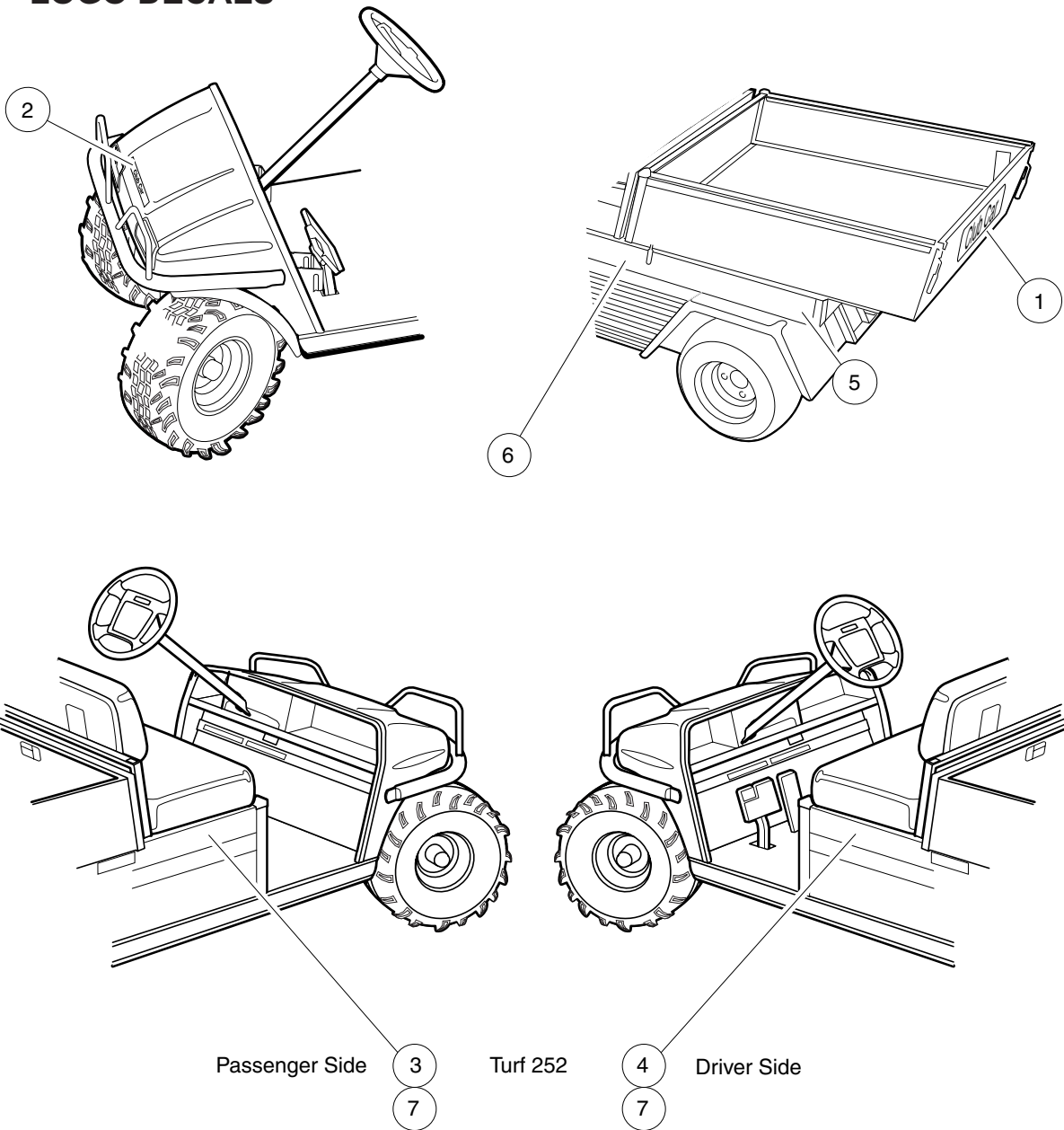


# DECALS, LOGO – TURF/CARRYALL 2, AND CARRYALL 2 PLUS

ITEM	PART NO.	DESCRIPTION	QTY
		1 2 3 4	
1	1013317	Decal, Logo, Tailgate .....	1
2	101670201	Nameplate Kit (silver) .....	1
3	103234301	Decal, Badge, IR .....	2
4	103260101	Decal Turf 2 Side Panel .....	2
5	103260801	Decal Ca 2 Side Panel .....	2
6	103260901	Decal Ca 2 Plus Side Panel .....	2
7	N/A	Decal Ca2/ca2p/ca252/ca272 Bar .....	2

3  
G  
E

### LOGO DECALS



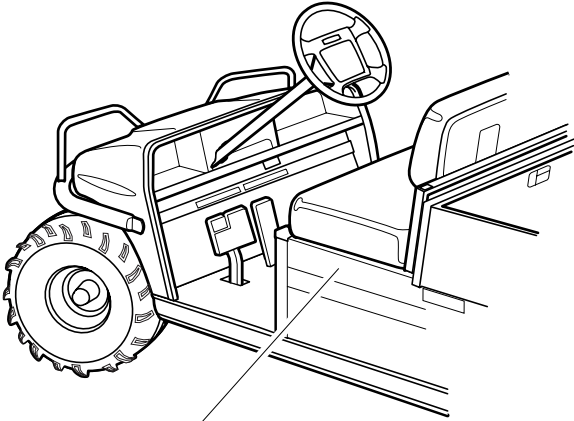
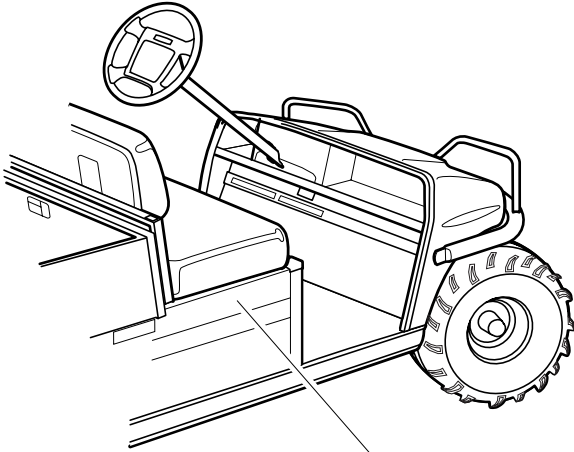
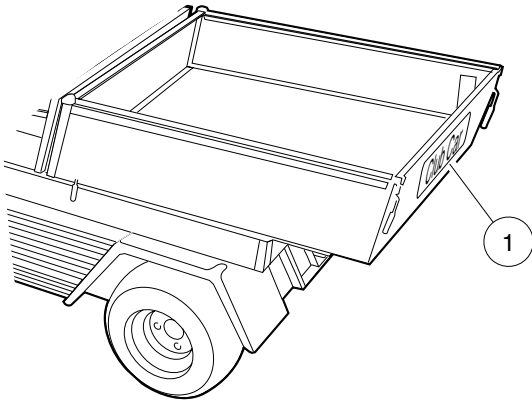
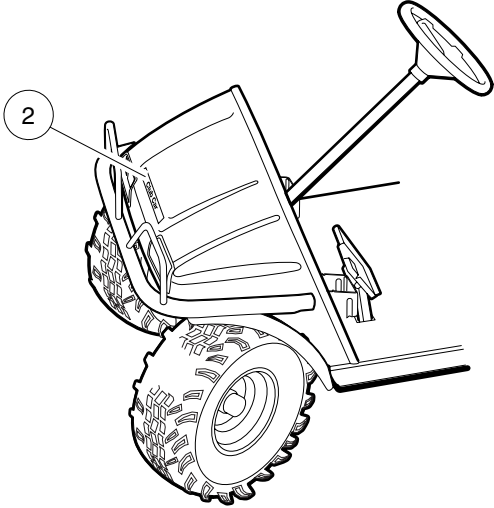
000289-002

## DECALS, LOGO – TURF/CARRYALL 252

ITEM	PART NO.	DESCRIPTION	QTY
		<b>1 2 3 4</b>	
1	1013317	Decal, Logo, Tailgate .....	1
2	101670201	Nameplate Kit (silver) .....	1
3	N/A	Decal, Turf 252, Passenger-Side .....	1
4	N/A	Decal, Turf 252, Driver-Side .....	1
5	103234301	Decal, Badge, IR .....	2
6	N/A	Decal Ca 252 Side Panel .....	2
7	N/A	Decal Ca2/ca2p/ca252/ca272 Bar .....	2

**3**  
**G**  
**E**

**LOGO DECALS**



Passenger Side (3)  
(5)

XRT 900

(4) Driver Side  
(5)

000624-001

# DECALS, LOGO – XRT 900

ITEM	PART NO.	DESCRIPTION	QTY
		<b>1 2 3 4</b>	
1	1013317	Decal, Logo, Tailgate .....	1
2	101670201	Nameplate Kit (silver) .....	1
3	102683701	Decal, XRT 900 Passenger-Side .....	1
4	102683801	Decal, XRT 900 Driver-Side .....	1
5	103234301	Decal, Badge, IR .....	2

3  
G  
E

**3**

**G**

**E**

# **BRAKES, PEDAL, AND CABLE ASSEMBLIES**

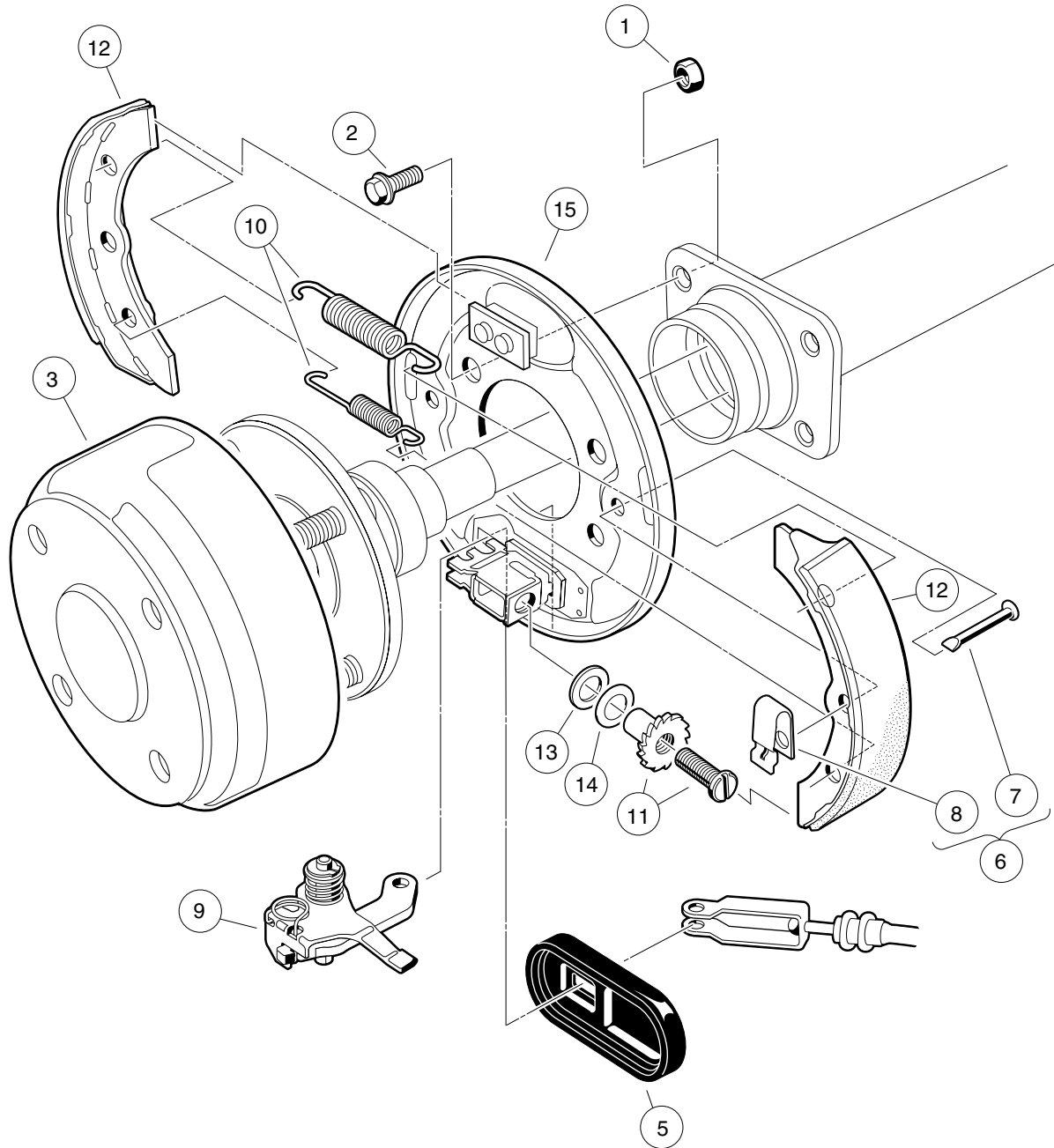
---

**4**

**G**

**E**

**4**  
**G**  
**E**



000186-001



# REAR BRAKE ASSEMBLY, SELF-ADJUSTING – VEHICLE WITH 2-WHEEL BRAKES

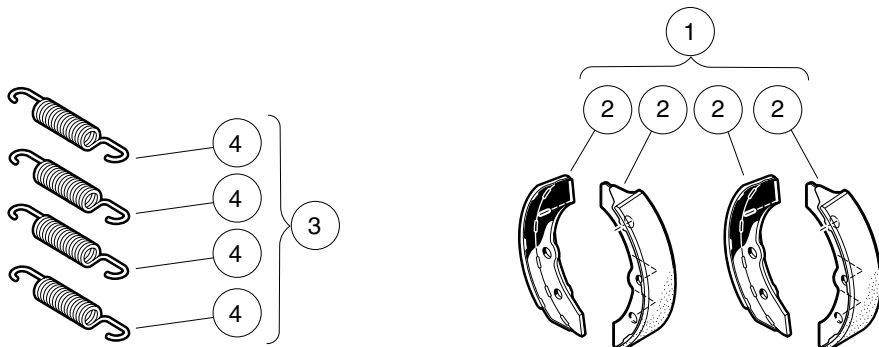
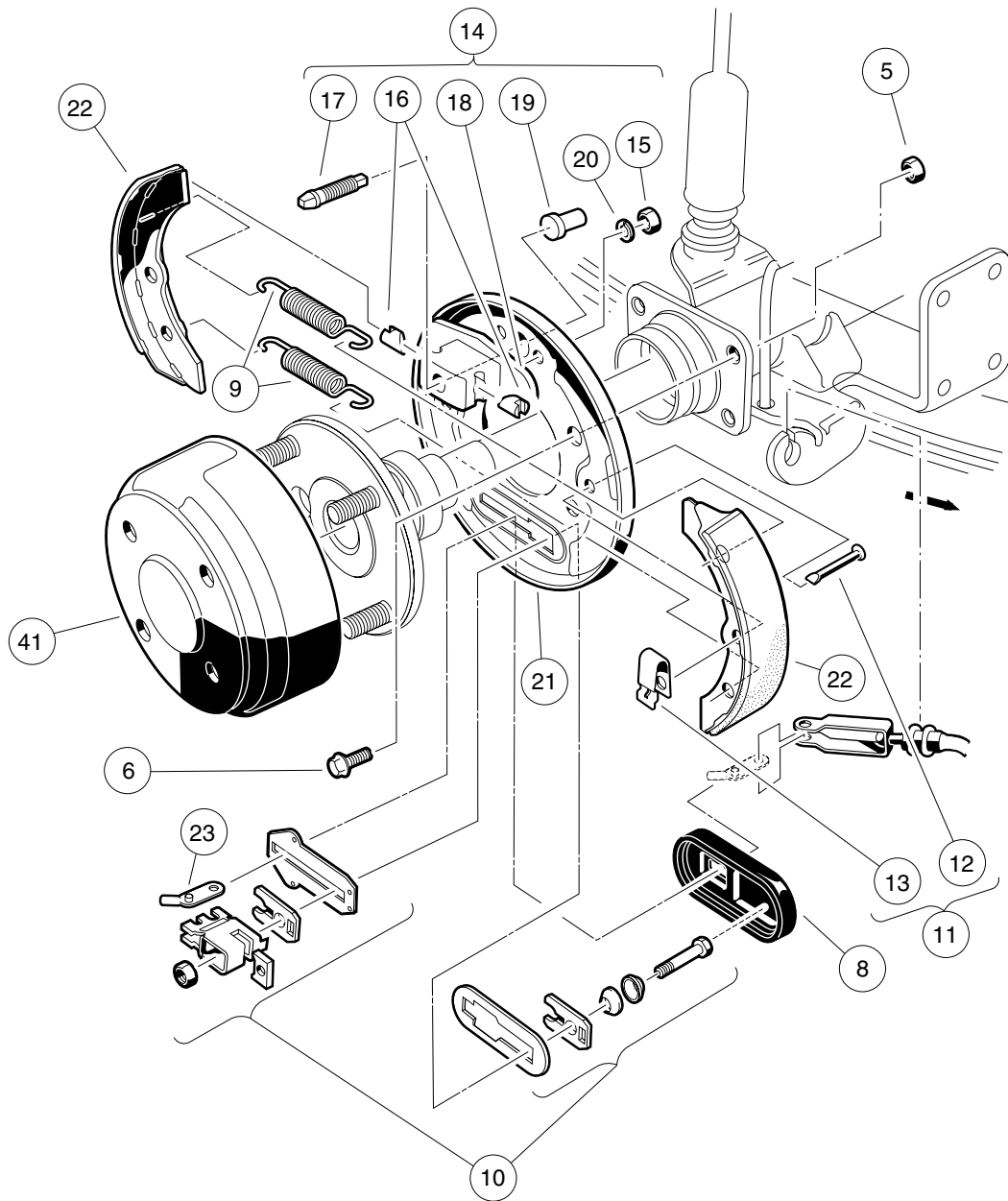
ITEM	PART NO.	DESCRIPTION	QTY
		1 2 3 4	
1	1013924	Nut, 5/16-24 Hex Head Cone .....	8
2	1014153	Bolt, Brake Cluster Mounting .....	8
3	101791101	Drum without Center Hole, Brake .....	2
4	101823301	Cluster Assembly, Right (Passenger) Brake (includes items 5 through 15) .....	1
5	1010850	Dust Cover .....	1
6	1011466	Kit, Shoe Retainer (includes items 7 and 8) .....	1
7	N/A	Pin .....	2
8	N/A	Shoe Clamp Spring .....	2
9	101815501	Lever Assembly, Self-Adjusting Brake, Right (Passenger) .....	1
10	101816301	Package, Brake Spring, Self-Adjusting .....	1
11	101816501	Adj Mechanism, S.A. Brakes, Right (Passenger) .....	1
12	101823201	Package, Brake Shoe, Self-Adjusting .....	1
13	101823801	Plate, Washer, Brake, Self-Adjusting .....	1
14	101823901	Washer, Brake, Self-Adjusting .....	1
15	101824001	Plate Assembly, Right Brake Backing .....	1
16	101823302	Cluster Assembly, Left Brake (includes items 17 through 27) .....	1
17	1010850	Dust Cover .....	1
18	1011466	Kit, Shoe Retainer (includes items 19 and 20) .....	1
19	N/A	Pin .....	2
20	N/A	Shoe Clamp Spring .....	2
21	101815502	Lever Assembly, Self-Adjusting Brake, Left .....	1
22	101816301	Package, Brake Spring, Self-Adjusting .....	1
23	101816502	Adjusting Mechanism, Self-Adjusting Brake, Left .....	1
24	101823201	Package, Brake Shoe, Self-Adjusting .....	1
25	101823801	Plate, Washer, Brake, Self-Adjusting .....	1
26	101823901	Washer, Brake, Self-Adjusting .....	1
27	101824002	Plate Assembly, Left Brake Backing .....	1
Note: Driver-side brake cluster not shown. Components have a similar appearance to passenger-side brake cluster components.			

4

G

E

**4**  
**G**  
**E**



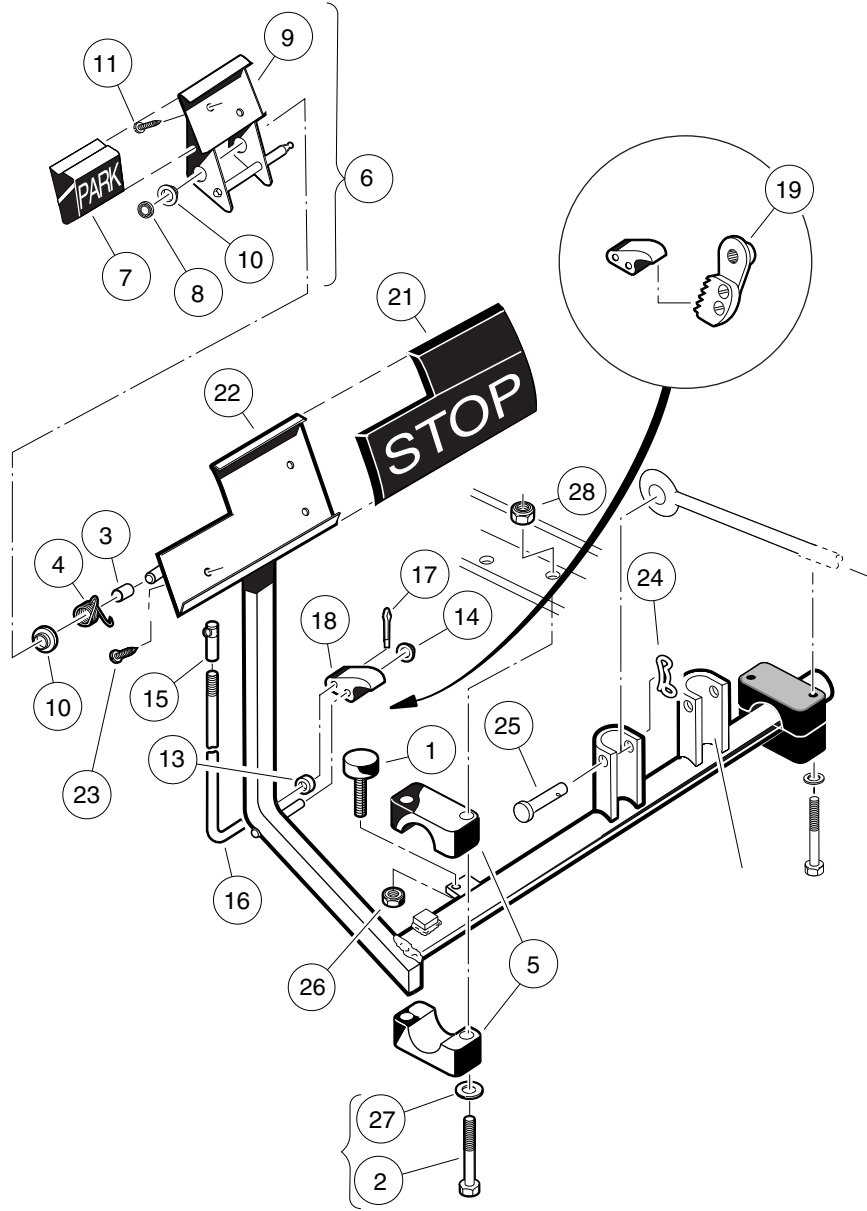
000293-001

## REAR BRAKE ASSEMBLY, MANUALLY-ADJUSTED – VEHICLES WITH 4-WHEEL BRAKES

ITEM	PART NO.	DESCRIPTION	QTY
		1 2 3 4	
1	101146302	Kit, Non-Asbestos Brake Shoe (includes item 2) .....	1
2	N/A	Shoe Brake Manual Adj .....	4
3	1011464	Package, Brake Spring (includes item 4) .....	1
4	N/A	Brake Spring .....	4
5	1013924	Nut, 5/16-24 Hex Head Cone .....	8
6	1014153	Bolt, Brake Cluster Mounting .....	8
7	1016557	Cluster, Brake, Driver-Side (includes items 8 through 23) .....	1
8	1010850	Dust Cover .....	1
9	N/A	Brake Spring .....	2
10	1011465	Kit, Brake Actuator .....	1
11	1011466	Kit, Shoe Retainer (includes items 12 and 13) .....	1
12	N/A	Pin .....	2
13	N/A	Shoe Clamp Spring .....	2
14	1011467	Kit, Anchor Body (includes items 15 through 20) .....	1
15	1011114	Nut, M6-1.00 Hex .....	2
16	N/A	Anchor Piston .....	2
17	N/A	Adjustment Bolt .....	1
18	N/A	Anchor Body Component .....	1
19	1011303	Adjustment Bolt Cap .....	1
20	451	Lockwasher, 1/4 Helical Split .....	2
21	N/A	Backing Plate, Left-Hand .....	1
22	N/A	Shoe Brake Manual Adj .....	2
23	N/A	Arm, Brake Lever .....	1
24	1016573	Cluster, Brake, Passenger-Side (includes items 25 through 40) .....	1
25	1010850	Dust Cover .....	1
26	N/A	Backing Plate, Right-Hand .....	1
27	N/A	Brake Spring .....	2
28	1011465	Kit, Brake Actuator .....	1
29	1011466	Kit, Shoe Retainer (includes items 30 and 31) .....	1
30	N/A	Pin .....	2
31	N/A	Shoe Clamp Spring .....	2
32	1011467	Kit, Anchor Body (includes items 33 through 38) .....	1
33	1011114	Nut, M6-1.00 Hex .....	2
34	N/A	Anchor Piston .....	2
35	N/A	Adjustment Bolt .....	1
36	N/A	Anchor Body Component .....	1
37	1011303	Adjustment Bolt Cap .....	1
38	451	Lockwasher, 1/4 Helical Split .....	2
39	N/A	Shoe Brake Manual Adj .....	2
40	N/A	Arm, Brake Lever .....	1
41	101791101	Drum without Center Hole, Brake .....	2
		Note: Passenger-side brake cluster not shown. Components have a similar appearance to driver-side brake cluster components.	

**4**  
**G**  
**E**

**4**  
**G**  
**E**



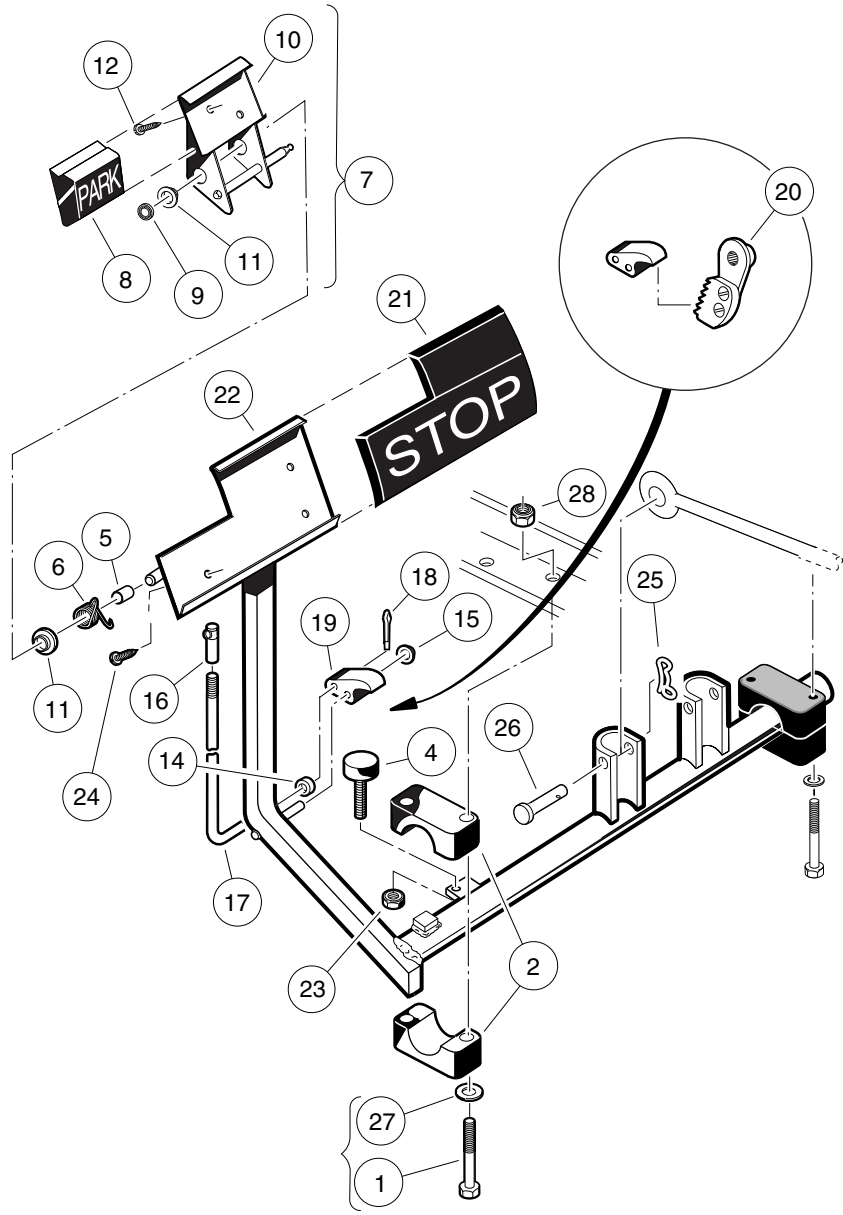
000187-001

# BRAKE PEDAL ASSEMBLY – VEHICLES WITH TWO-WHEEL BRAKES

ITEM	PART NO.	DESCRIPTION	QTY
		<b>1 2 3 4</b>	
1	1010878	Bumper, Rubber .....	1
2	1010921	Screw, 5/16-18 X 2.50 Hex Cap .....	4
3	1010927	Hill Brake Spacer .....	1
4	1010933	Spring, Hill Brake Torsion .....	1
5	1011402	Package, Brake Mounting Block .....	1
6	1011418	Kit, Hill Brake Pedal (includes items 7 through 11) .....	1
7	1013870	Pad, Hill Brake .....	1
8	1013876	Pushnut, 3/8 .....	1
9	N/A	Hill Brake Weld Assembly .....	1
10	1032	Bushing, Nylon .....	2
11	7716	Screw, #10-16 Type AB, Sheet Metal .....	2
12	101187702	Kit, Hill Brake Latch (includes items 13 through 19) .....	1
13	1010805	Sleeve, Hill Brake Rod .....	1
14	1010877	Pushnut, 3/8 .....	1
15	1010932	Ball Joint, 1/4-28 .....	1
16	N/A	Rod, Hill Brake .....	1
17	1017029	Pin, Cotter, 7/64 x 1/2 Stainless-Steel .....	1
18	N/A	Pawl, Hill Brake .....	1
19	N/A	Ratchet Assembly .....	1
20	101878201	Brake Pedal Kit (includes items 21 through 23) .....	1
21	1013869	Pad, Brake Pedal .....	1
22	N/A	Weldment, Brake Pedal 4wb Std .....	1
23	7716	Screw, #10-16 Type AB, Sheet Metal .....	3
24	102323101	Pin, Bow Tie Locking .....	1
25	102323201	Pin, 3/8 X 1-5/16 Clevis .....	1
26	1028	Nut, 1/4-20 Hex .....	1
27	1241	Washer, 5/16 Type A Flat .....	4
28	7473	Locknut, 5/16-18 Nylon Insert .....	4

**4**  
**G**  
**E**

**4**  
**G**  
**E**



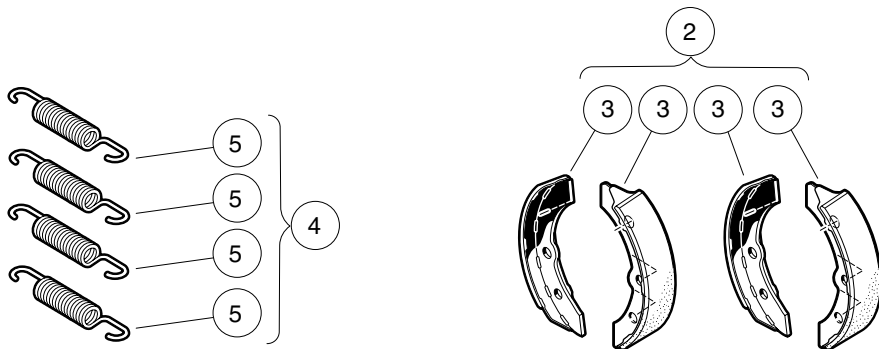
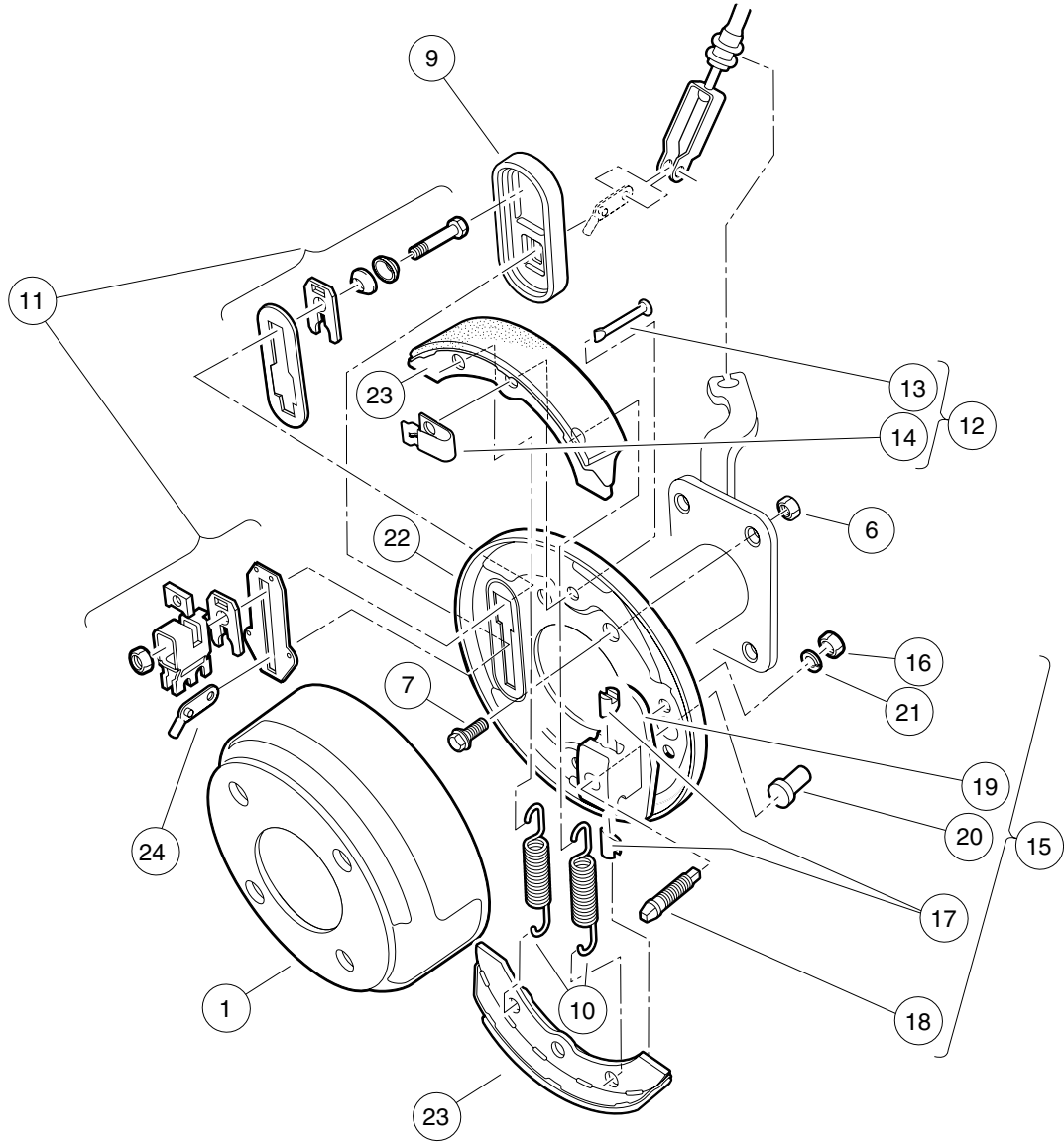
000187-002

## BRAKE PEDAL ASSEMBLY – IQ PLUS VEHICLES

ITEM	PART NO.	DESCRIPTION	QTY
		<b>1 2 3 4</b>	
1	1010921	Screw, 5/16-18 X 2.50 Hex Cap .....	4
2	1011402	Package, Brake Mounting Block .....	1
3	N/A	Subasm, Pedal Group, 4-Wheel Brake (includes items 4 through 24) .....	1
4	1010878	Bumper, Rubber .....	1
5	1010927	Hill Brake Spacer .....	1
6	1010933	Spring, Hill Brake Torsion .....	1
7	1011418	Kit, Hill Brake Pedal (includes items 8 through 12) .....	1
8	1013870	Pad, Hill Brake .....	1
9	1013876	Pushnut, 3/8 .....	1
10	N/A	Hill Brake Weld Assembly .....	1
11	1032	Bushing, Nylon .....	2
12	7716	Screw, #10-16 Type AB, Sheet Metal .....	2
13	101187702	Kit, Hill Brake Latch (includes items 14 through 20) .....	1
14	1010805	Sleeve, Hill Brake Rod .....	1
15	1010877	Pushnut, 3/8 .....	1
16	1010932	Ball Joint, 1/4-28 .....	1
17	N/A	Rod, Hill Brake .....	1
18	1017029	Pin, Cotter, 7/64 x 1/2 Stainless-Steel .....	1
19	N/A	Pawl, Hill Brake .....	1
20	N/A	Ratchet Assembly .....	1
21	1013869	Pad, Brake Pedal .....	1
22	101511303	Brake Pedal Weldment .....	1
23	1028	Nut, 1/4-20 Hex .....	1
24	7716	Screw, #10-16 Type AB, Sheet Metal .....	3
25	102323101	Pin, Bow Tie Locking .....	2
26	102323201	Pin, 3/8 X 1-5/16 Clevis .....	2
27	1241	Washer, 5/16 Type A Flat .....	4
28	7473	Locknut, 5/16-18 Nylon Insert .....	4

**4**  
**G**  
**E**

**4**  
**G**  
**E**



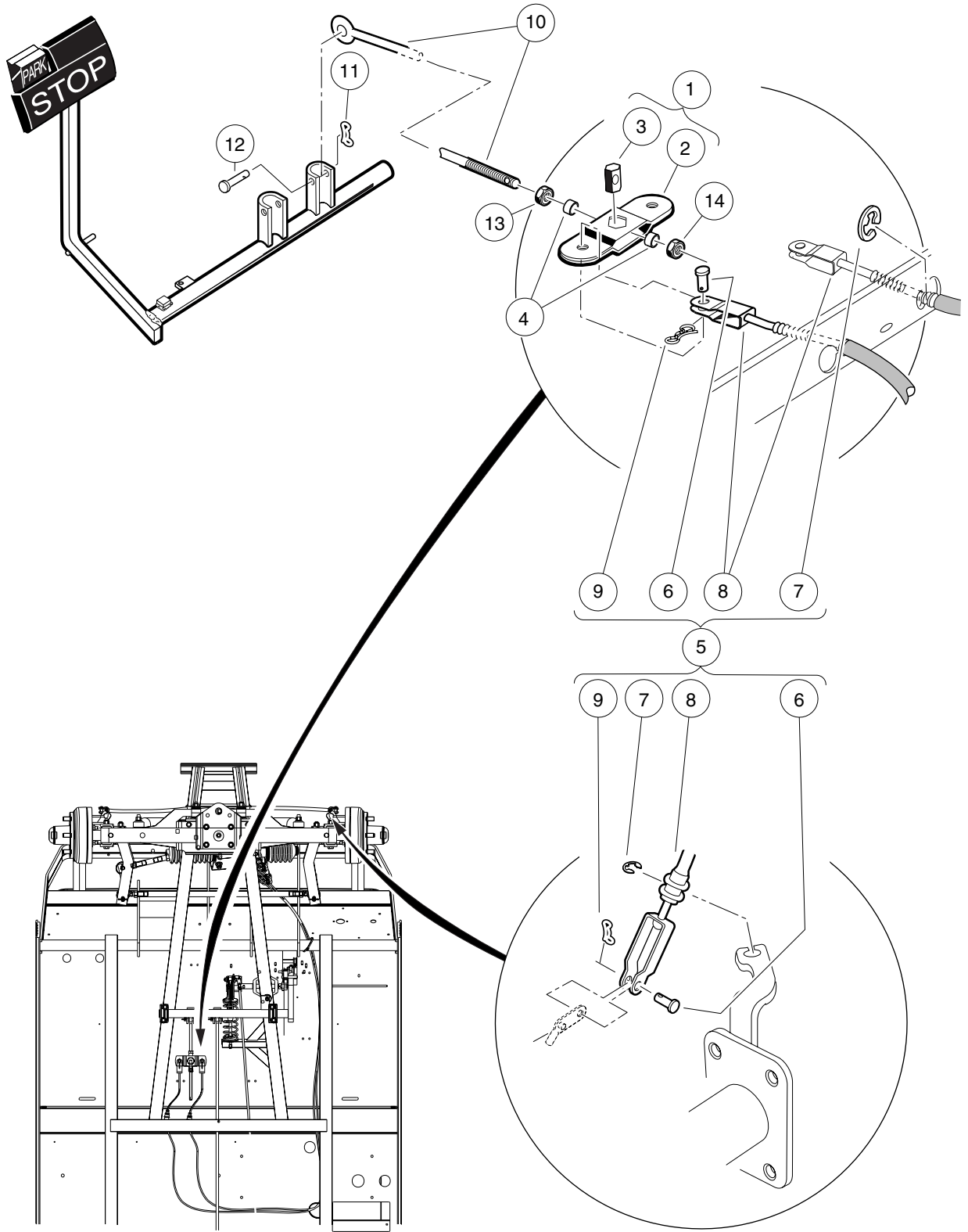
000298-001



# FRONT BRAKE ASSEMBLY – VEHICLES WITH FOUR-WHEEL BRAKES

ITEM	PART NO.	DESCRIPTION	QTY	
		1 2 3 4		<b>4</b>
1	1011137	Drum, Brake .....	2	<b>G</b>
2	101146302	Kit, Non-Asbestos Brake Shoe (includes item 3) .....	1	<b>E</b>
3	N/A	Shoe Brake Manual Adj .....	4	
4	1011464	Package, Brake Spring (includes item 5) .....	1	
5	N/A	Brake Spring .....	4	
6	1013924	Nut, 5/16-24 Hex Head Cone .....	8	
7	1014153	Bolt, Brake Cluster Mounting .....	8	
8	1016557	Cluster, Brake, Driver-Side (includes items 9 through 24) .....	1	
9	1010850	Dust Cover .....	1	
10	N/A	Brake Spring .....	2	
11	1011465	Kit, Brake Actuator .....	1	
12	1011466	Kit, Shoe Retainer (includes items 13 and 14) .....	1	
13	N/A	Pin .....	2	
14	N/A	Shoe Clamp Spring .....	2	
15	1011467	Kit, Anchor Body (includes items 16 through 21) .....	1	
16	1011114	Nut, M6-1.00 Hex .....	2	
17	N/A	Anchor Piston .....	2	
18	N/A	Adjustment Bolt .....	1	
19	N/A	Anchor Body Component .....	1	
20	1011303	Adjustment Bolt Cap .....	1	
21	451	Lockwasher, 1/4 Helical Split .....	2	
22	N/A	Backing Plate, Left-Hand .....	1	
23	N/A	Shoe Brake Manual Adj .....	2	
24	N/A	Arm, Brake Lever .....	1	
25	1016573	Cluster, Brake, Passenger-Side (includes items 26 through 41) .....	1	
26	1010850	Dust Cover .....	1	
27	N/A	Backing Plate, Right-Hand .....	1	
28	N/A	Brake Spring .....	2	
29	1011465	Kit, Brake Actuator .....	1	
30	1011466	Kit, Shoe Retainer (includes items 31 and 32) .....	1	
31	N/A	Pin .....	2	
32	N/A	Shoe Clamp Spring .....	2	
33	1011467	Kit, Anchor Body (includes items 34 through 39) .....	1	
34	1011114	Nut, M6-1.00 Hex .....	2	
35	N/A	Anchor Piston .....	2	
36	N/A	Adjustment Bolt .....	1	
37	N/A	Anchor Body Component .....	1	
38	1011303	Adjustment Bolt Cap .....	1	
39	451	Lockwasher, 1/4 Helical Split .....	2	
40	N/A	Shoe Brake Manual Adj .....	2	
41	N/A	Arm, Brake Lever .....	1	
		Note: Passenger-side brake cluster not shown. Components have a similar appearance to driver-side brake cluster components.		

**4**  
**G**  
**E**



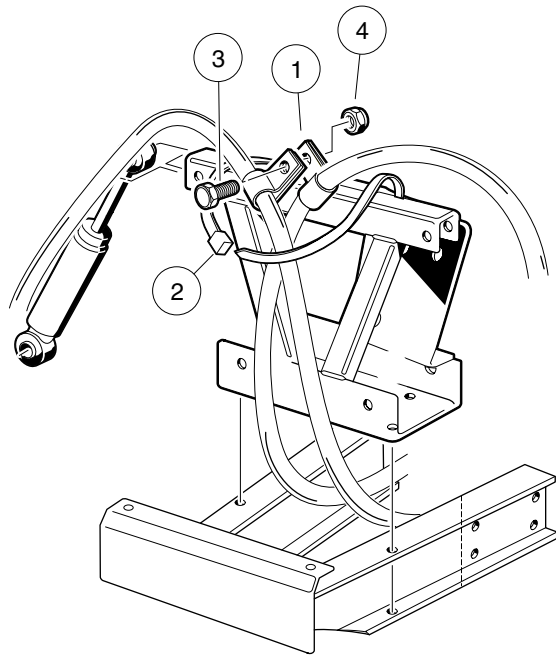
000294-001

# FRONT BRAKE CABLES AND EQUALIZER – VEHICLES WITH FOUR-WHEEL BRAKES

ITEM	PART NO.	DESCRIPTION	QTY
		<b>1 2 3 4</b>	
1	1017211	Kit, Equalizer and Pivot Limiter (includes items 2 and 3) .....	1
2	N/A	Equalizer Weld Assembly .....	1
3	N/A	Equalizer, Pivot Limiter .....	1
4	101865301	Spacer .....	2
5	101874601	Kit, Brake Cable (includes items 6 through 9) .....	1
6	1010829	Pin, Clevis, 5/16 X 3/4 .....	4
7	1011779	E-Clip, 1/2 .....	4
8	N/A	Brake Cable .....	2
9	102292801	Pin, Bow Tie Locking - .072 .....	4
10	101953106	Rod, Equalizer, 9.75" .....	1
11	102323101	Pin, Bow Tie Locking .....	1
12	102323201	Pin, 3/8 X 1-5/16 Clevis .....	1
13	1242	Nut, 5/16-18 Hex .....	1
14	7473	Locknut, 5/16-18 Nylon Insert .....	1

**4**  
**G**  
**E**

**4**  
**G**  
**E**



000305-001

# FRONT BRAKE CABLE CLIPS AND HARDWARE – VEHICLES WITH FRONT-WHEEL BRAKES

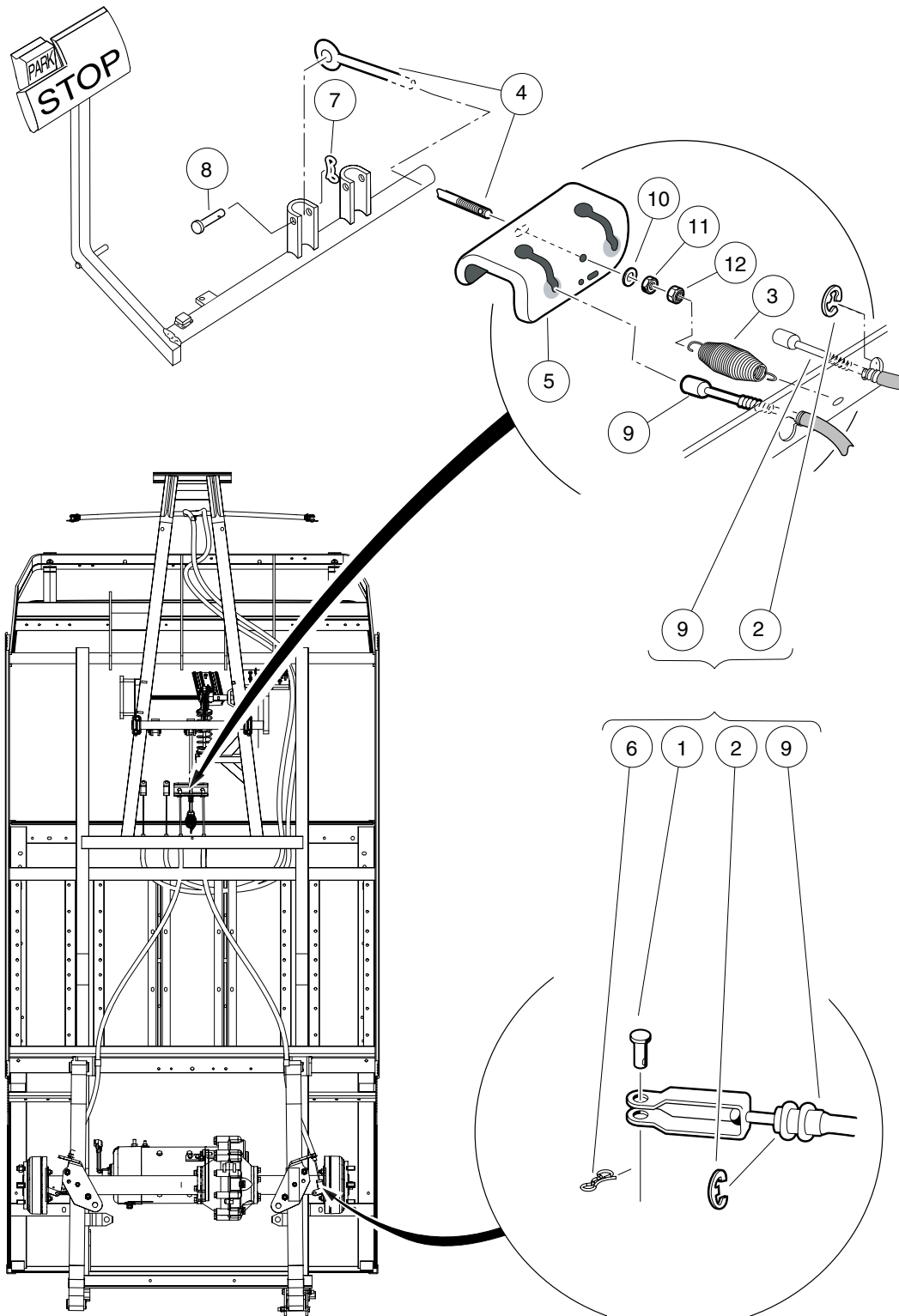
ITEM	PART NO.	DESCRIPTION	QTY
		1 2 3 4	
1	101935301	Clamp, Brake Cable .....	2
2	102025401	Tie Wrap, Heavy Duty .....	1
3	320	Screw, 3/8-16 X 1.00 Hex-Head Cap .....	1
4	8754	Locknut, 3/8-16 Hex .....	1

4

G

E

**4**  
**G**  
**E**



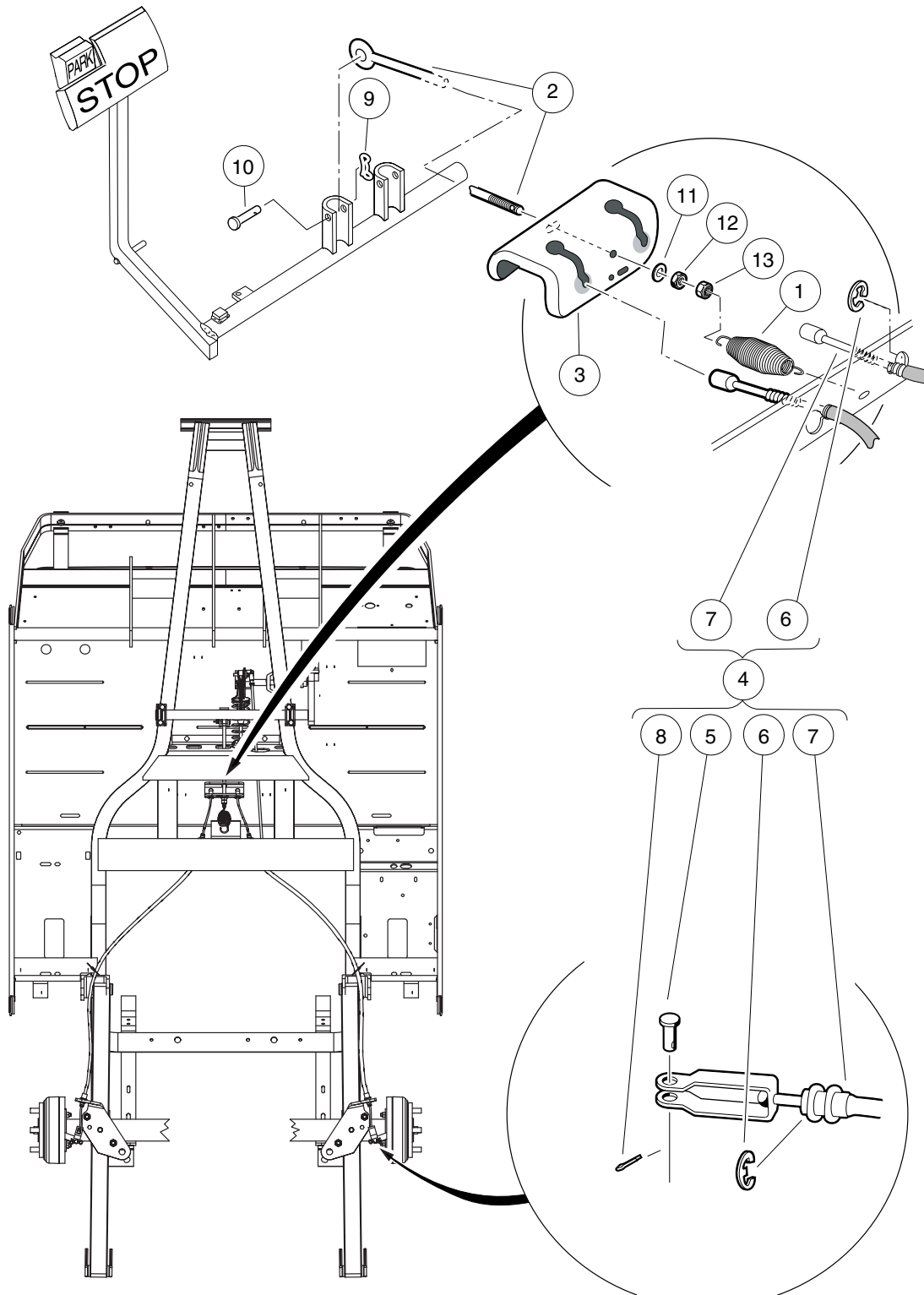
000295-002

# REAR BRAKE CABLES AND EQUALIZER – IQ PLUS ELECTRIC VEHICLES

ITEM	PART NO.	DESCRIPTION	QTY
		<b>1 2 3 4</b>	
1	1010829	Pin, Clevis, 5/16 X 3/4 .....	2
2	1011779	E-Clip, 1/2 .....	4
3	1013531	Spring, Brake Return .....	1
4	101953106	Rod, Equalizer, 9.75" .....	1
5	101990801	Equalizer Bracket .....	1
6	102292801	Pin, Bow Tie Locking - .072 .....	2
7	102323101	Pin, Bow Tie Locking .....	1
8	102323201	Pin, 3/8 X 1-5/16 Clevis .....	1
9	102852101	Cable, Brake, 51-inch, Right .....	2
10	1241	Washer, 5/16 Type A Flat .....	1
11	1242	Nut, 5/16-18 Hex .....	1
12	7473	Locknut, 5/16-18 Nylon Insert .....	1

**4**  
**G**  
**E**

**4**  
**G**  
**E**



000296-001

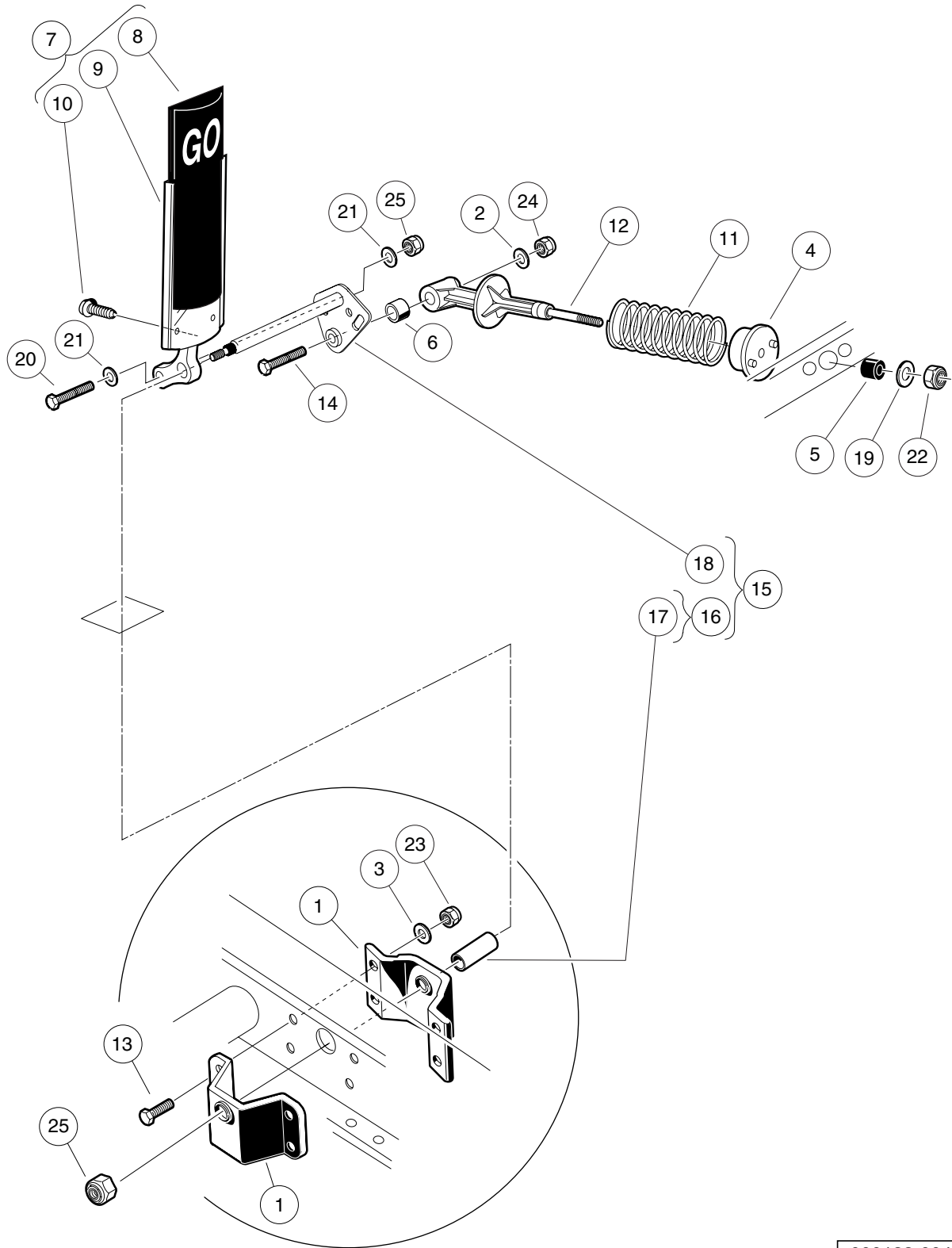


## BRAKE CABLES AND EQUALIZER – TURF/CARRYALL 2 VEHICLES WITH TWO-WHEEL BRAKES

ITEM	PART NO.	DESCRIPTION	QTY
		1 2 3 4	
1	1013531	Spring, Brake Return .....	1
2	101953102	Rod, Equalizer .....	1
3	101990801	Equalizer Bracket .....	1
4	102022101	Brake Cable Kit (includes items 5 through 8) .....	2
5	1010829	Pin, Clevis, 5/16 X 3/4 .....	1
6	1011779	E-Clip, 1/2 .....	2
7	N/A	Cable, Brake .....	1
8	1035	Cotter Pin, 3/32 x 1 .....	1
9	102323101	Pin, Bow Tie Locking .....	1
10	102323201	Pin, 3/8 X 1-5/16 Clevis .....	1
11	1241	Washer, 5/16 Type A Flat .....	1
12	1242	Nut, 5/16-18 Hex .....	1
13	7473	Locknut, 5/16-18 Nylon Insert .....	1

**4**  
**G**  
**E**

**4**  
**G**  
**E**



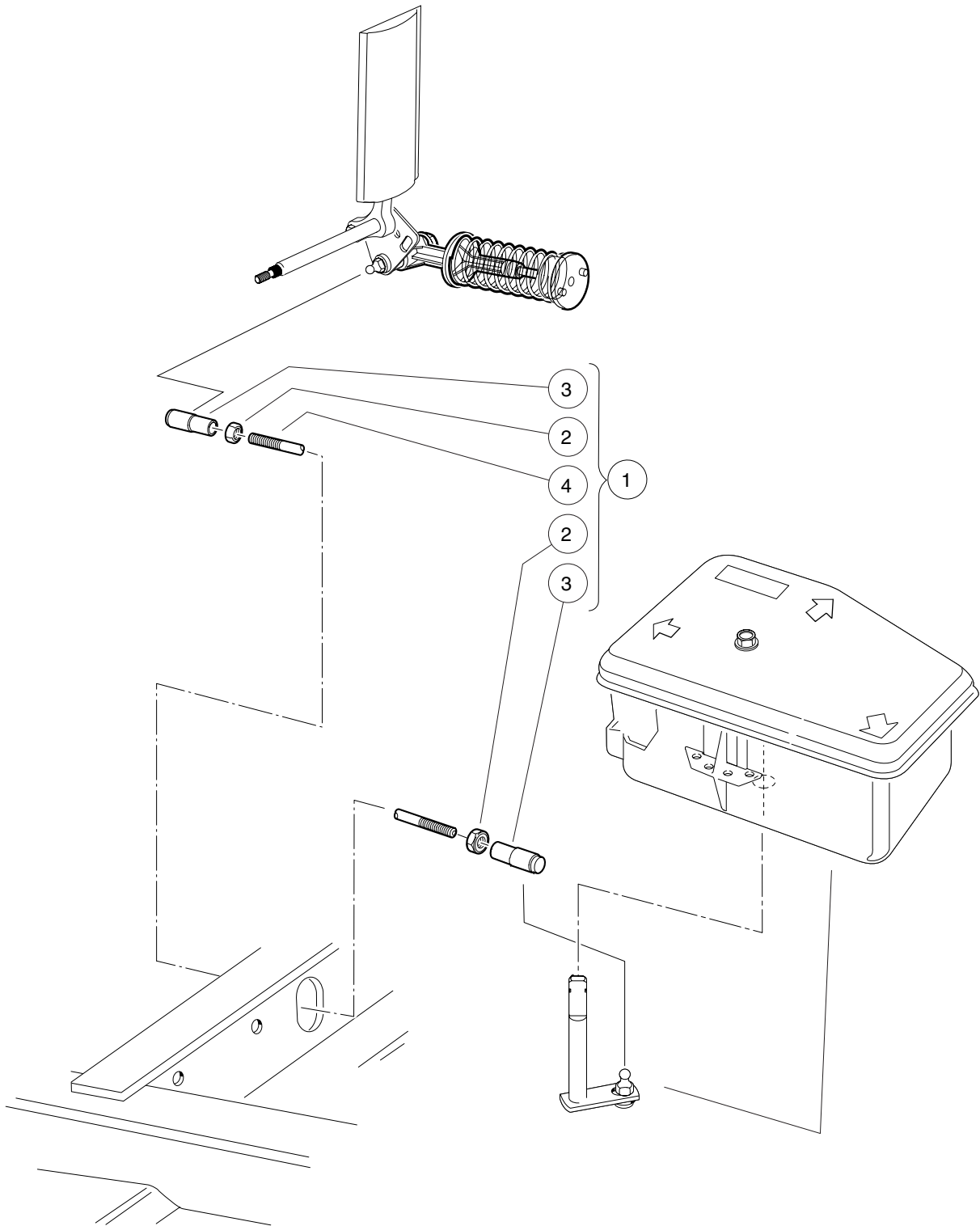
000188-004

# ACCELERATOR PEDAL ASSEMBLY – ELECTRIC VEHICLES

ITEM	PART NO.	DESCRIPTION	QTY
		1 2 3 4	
1	1011694	Accelerator Bracket and Bearing Assembly .....	2
2	1011931	Washer, 1/4 Flat .....	1
3	1014007	Washer, 1/4 Flat .....	4
4	1017378	Cup, Spring .....	1
5	1017380	Bumper, Spring Return .....	1
6	1017424	Bearing, Pivot Support .....	1
7	1017696	Sub Asm, Accelerator Pedal (includes items 8 through 10) .....	1
8	1013871	Pad, Accelerator Pedal .....	1
9	N/A	Accelerator Pedal Weldment .....	1
10	7716	Screw, #10-16 Type AB, Sheet Metal .....	4
11	101796201	Spring, Accelerator Return .....	1
12	101817401	Retainer, Spring .....	1
13	101861901	Screw, 1/4-20 X 1.125 Hex Cap .....	4
14	101862001	Screw, 1/4-20 X 1.500 Flange .....	1
15	102026001	Kit, Accelerator Pivot Rod Assembly (includes items 16 through 18) .....	1
16	1011700	Spacer Assembly (includes item 17) .....	1
17	N/A	Spacer, Accelerator .....	1
18	N/A	Pivot Rod Weldment .....	1
19	1241	Washer, 5/16 Type A Flat .....	1
20	1624	Screw, 3/8-16 X 1.50 Hex-Head Cap .....	1
21	334	Washer, 3/8 Type A Flat .....	2
22	7473	Locknut, 5/16-18 Nylon Insert .....	1
23	8233	Locknut, 1/4-20 Nylon Insert .....	4
24	8717	Locknut, 1/4-28 Nylon Insert .....	1
25	8754	Locknut, 3/8-16 Hex .....	2

**4**  
**G**  
**E**

**4**  
**G**  
**E**



000362-001

# ACCELERATOR ROD

ITEM	PART NO.	DESCRIPTION	QTY
		1 2 3 4	
1	101822001	Rod, Accelerator (includes items 2 through 4) .....	1
2	1011084	Nut, 1/4-28 Hex Jam .....	2
3	1011734	Joint, Ball .....	2
4	N/A	Accelerator Rod .....	1

4

G

E

**4**

**G**

**E**

# STEERING, FRONT AND REAR SUSPENSION

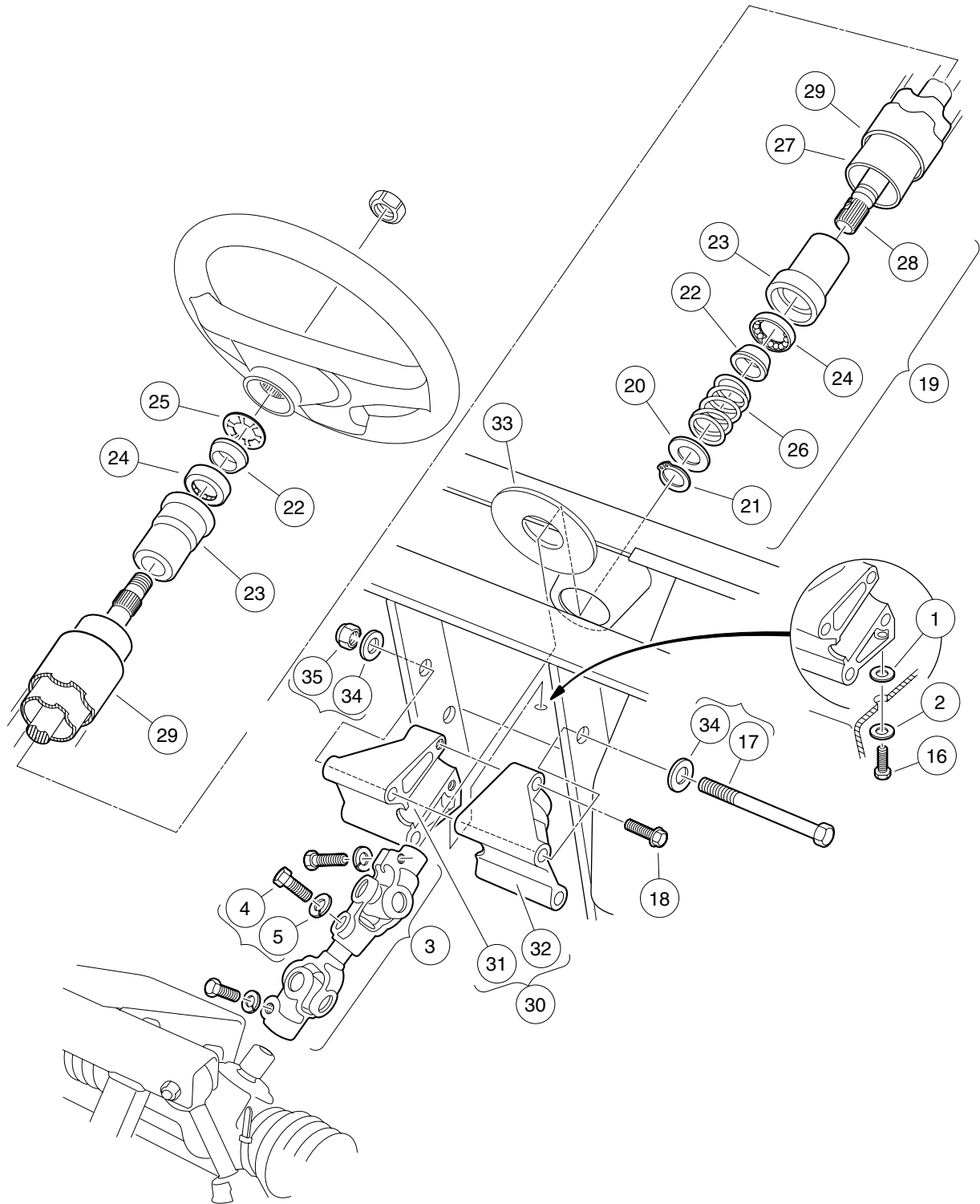
---

5

G

E

**5**  
**G**  
**E**



000247-001

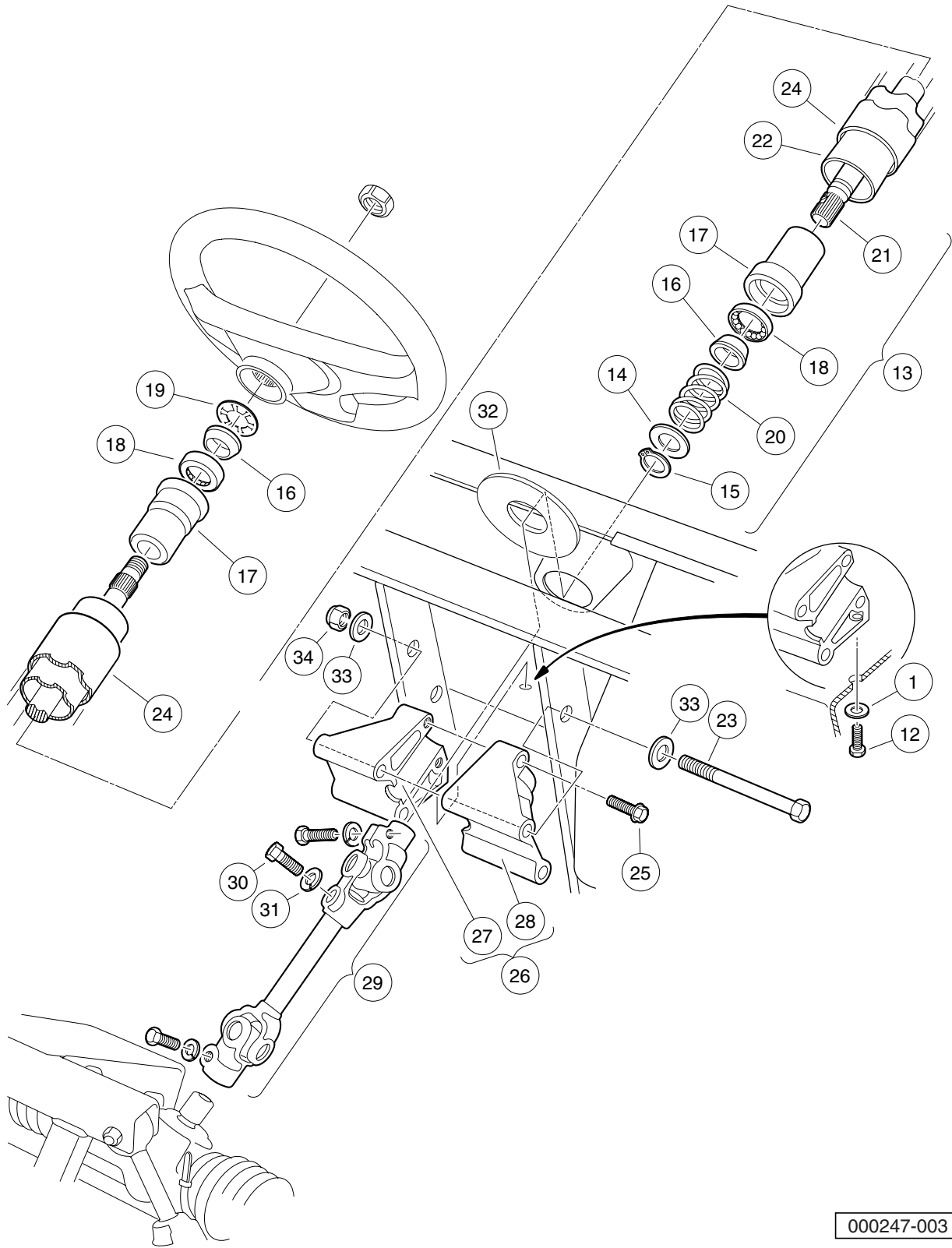


# STEERING COLUMN – ALL VEHICLES EXCEPT TURF/CARRYALL 252 AND XRT 900

ITEM	PART NO.	DESCRIPTION	QTY
		<b>1 2 3 4</b>	
1	1011578	Washer, 5/16 Type B Flat .....	1
2	1011697	Washer, 5/16 Flat .....	1
3	1013861	Intermediate Steering Shaft (includes items 4 and 5) .....	1
4	1017226	Bolt, Hex-Head, 8mm X 1.25 - 30 .....	3
5	7174	Lockwasher, 5/16 Split .....	3
6	1014216	Steering Column Rebuild Kit (includes items 7 through 15) .....	A/R
7	1012466	Dust Cover .....	1
8	1012605	Ring, 0.579 Internal Retaining .....	1
9	1014125	Wedge, Molded .....	2
10	1014126	Seat, Plastic Bearing .....	2
11	1014211	Seal, Bearing .....	1
12	1014212	Spacer, Shaft .....	1
13	1014213	Bearing, Ball .....	2
14	1014214	Ring, Retaining .....	1
15	1014217	Spring, Steering Shaft .....	1
16	1014288	Screw, 5/16-18 X 0.75 Thread-Forming .....	1
17	1016183	Screw, 3/8-16 X 7.00 Hex Cap .....	2
18	1016269	Screw, 5/16-18 Thrd Forming .....	2
19	1017313	Steering Shaft Assembly (includes items 20 through 28) .....	1
20	1012604	Washer, 0.675 ID X 1.19 OD .....	1
21	1012605	Ring, 0.579 Internal Retaining .....	1
22	1014125	Wedge, Molded .....	2
23	1014126	Seat, Plastic Bearing .....	2
24	1014213	Bearing, Ball .....	2
25	1014214	Ring, Retaining .....	1
26	1014217	Spring, Steering Shaft .....	1
27	1017314	Column, Aluminum Steering .....	1
28	1017315	Shaft Steering Column .....	1
29	1017317	Tube Cover, Steering Column .....	1
30	101984801	Kit, Steering Column Mounting Bracket (includes items 31 and 32) .....	1
31	N/A	Bracket, RH Steering Column Mount .....	1
32	N/A	Bracket, LH Steering column mount .....	1
33	102278001	Boot, Steering Column Round .....	1
34	334	Washer, 3/8 Type A Flat .....	4
35	8754	Locknut, 3/8-16 Hex .....	2
		Note: Item 6 is not illustrated.	

**5**  
**G**  
**E**

**5**  
**G**  
**E**



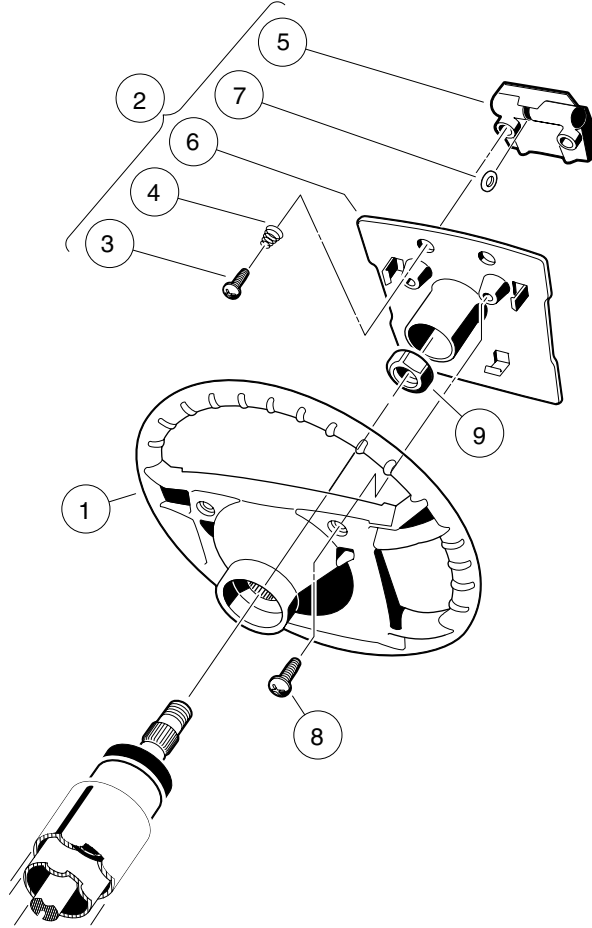
000247-003

# STEERING COLUMN – TURF/CARRYALL 2 XRT AND TURF/ CARRYALL 252 VEHICLES

ITEM	PART NO.	DESCRIPTION	QTY
		<b>1 2 3 4</b>	
1	1011578	Washer, 5/16 Type B Flat .....	1
2	1011697	Washer, 5/16 Flat .....	1
3	1014216	Steering Column Rebuild Kit (includes items 4 through 12) .....	1
4	1012466	Dust Cover .....	1
5	1012605	Ring, 0.579 Internal Retaining .....	1
6	1014125	Wedge, Molded .....	2
7	1014126	Seat, Plastic Bearing .....	2
8	1014211	Seal, Bearing .....	1
9	1014212	Spacer, Shaft .....	1
10	1014213	Bearing, Ball .....	2
11	1014214	Ring, Retaining .....	1
12	1014217	Spring, Steering Shaft .....	1
13	1014288	Screw, 5/16-18 X 0.75 Thread-Forming .....	1
14	1016183	Screw, 3/8-16 X 7.00 Hex Cap .....	2
15	1016263	Cover, Steering Column Tube .....	1
16	1016269	Screw, 5/16-18 Thrd Forming .....	2
17	1017313	Steering Shaft Assembly (includes items 18 through 26) .....	1
18	1012604	Washer, 0.675 ID X 1.19 OD .....	1
19	1012605	Ring, 0.579 Internal Retaining .....	1
20	1014125	Wedge, Molded .....	2
21	1014126	Seat, Plastic Bearing .....	2
22	1014213	Bearing, Ball .....	2
23	1014214	Ring, Retaining .....	1
24	1014217	Spring, Steering Shaft .....	1
25	1017314	Column, Aluminum Steering .....	1
26	1017315	Shaft Steering Column .....	1
27	101984801	Kit, Steering Column Mounting Bracket (includes items 28 and 29) .....	1
28	N/A	Bracket, RH Steering Column Mount .....	1
29	N/A	Bracket, LH Steering column mount .....	1
30	102004101	Joint, Steering (includes items 31 and 32) .....	1
31	1017226	Bolt, Hex-Head, 8mm X 1.25 - 30 .....	3
32	7174	Lockwasher, 5/16 Split .....	3
33	102278001	Boot, Steering Column Round .....	1
34	334	Washer, 3/8 Type A Flat .....	4
35	8754	Locknut, 3/8-16 Hex .....	2
		Note: Item 5 is not illustrated.	

**5**  
**G**  
**E**

**5**  
**G**  
**E**

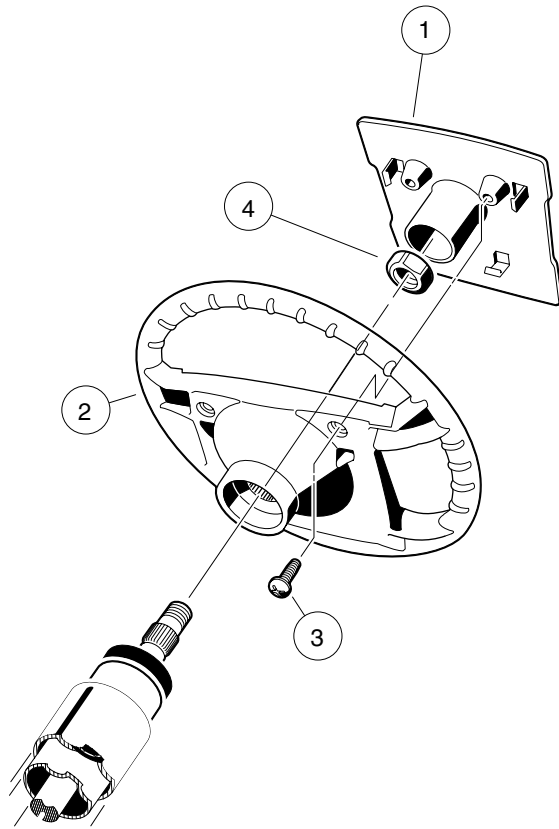


000246-002

# STEERING WHEEL – TURF VEHICLES

ITEM	PART NO.	DESCRIPTION	QTY
		1 2 3 4	
1	1016156	Wheel, Steering .....	1
2	1016219	Plate, Scorecard (includes items 3 through 7) .....	1
3	1012565	Screw, #12 Phillips Round Head .....	2
4	1012566	Tapered Compression Spring .....	2
5	1016154	Clip, Scorecard .....	1
6	N/A	Plate, Score Card .....	1
7	1016214	Pencil Grip .....	1
8	1016663	Screw, #12-14 X 0.625 .....	2
9	1017273	Nut, 5/8-18 Nylon Insert Jam .....	1

5  
G  
E



000246-003

# STEERING WHEEL – CARRYALL AND XRT VEHICLES

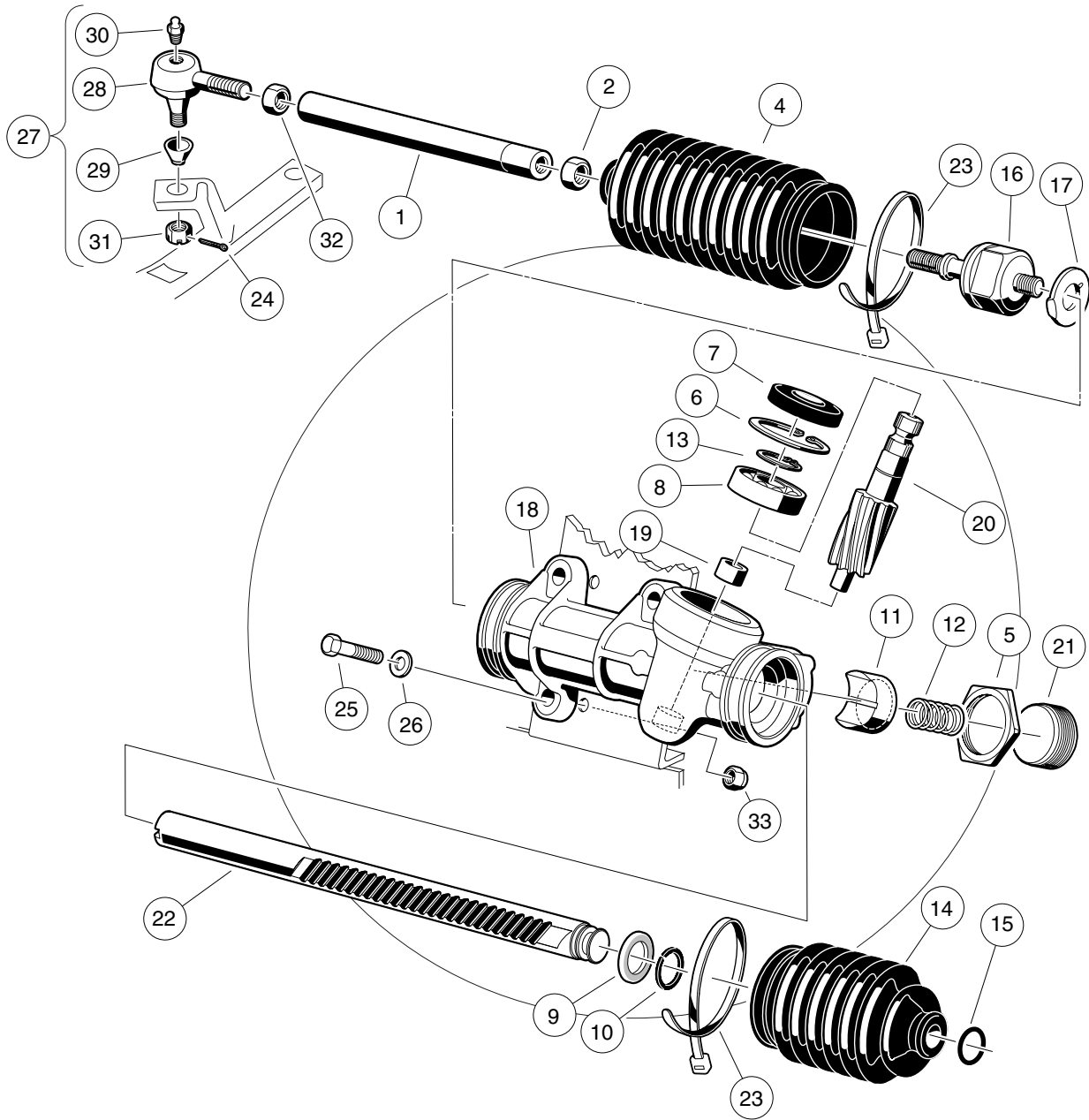
ITEM	PART NO.	DESCRIPTION	QTY
		1 2 3 4	
1	101615504	Plate, Scorecard .....	1
2	1016156	Wheel, Steering .....	1
3	1016663	Screw, #12-14 X 0.625 .....	2
4	1017273	Nut, 5/8-18 Nylon Insert Jam .....	1

**5**

**G**

**E**

**5**  
**G**  
**E**



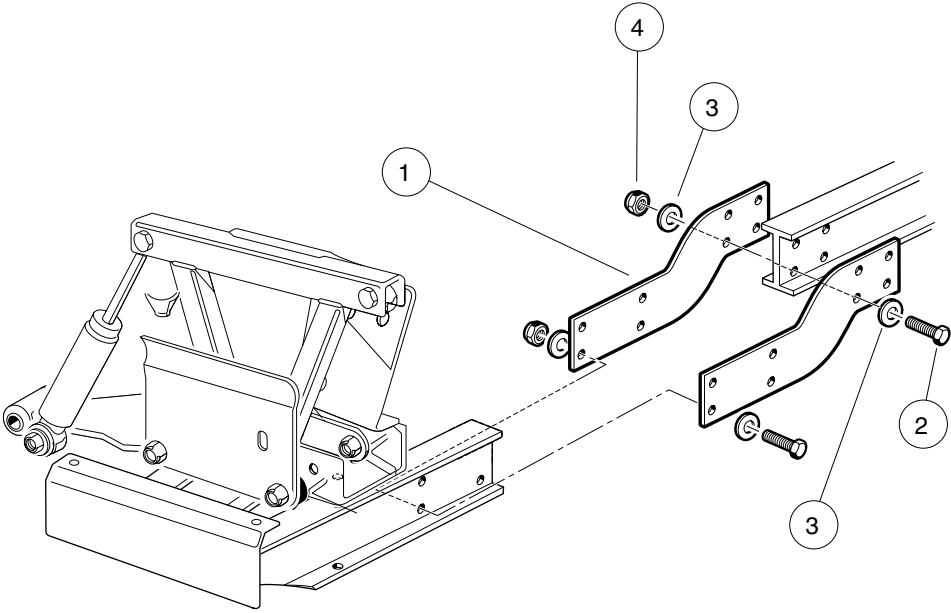
000189-001



# STEERING GEAR ASSEMBLY

ITEM	PART NO.	DESCRIPTION	QTY
		<b>1 2 3 4</b>	
1	1012467	Link, Rack and Pinion Drag .....	1
2	1013042	Nut, 12mm Hex .....	1
3	101878302	Steering Gear Assembly (without yoke) (includes items 4 through 23) .....	1
4	1013035	Bellows, Long .....	1
5	1013044	Rack Screw Locknut .....	1
6	1013051	Snap Ring .....	1
7	1013052	Seal, Steering Pinion Dust .....	1
8	101879401	Bearing, Ball .....	1
9	101879501	Stop Washer .....	1
10	101879601	Stop Ring, C-Type .....	1
11	101879701	Support Yoke .....	1
12	101879801	Rack Guide Pressure Spring .....	1
13	101879901	Ring, Stop, C-Type .....	1
14	101880001	Bellows, Short .....	1
15	101880101	Dust Seal Retaining Ring .....	1
16	101880201	Inner Ball Joint Asm .....	1
17	101880301	Washer, Tab .....	1
18	N/A	Box, Steering Gear .....	1
19	N/A	Bearing, Lower Pinion .....	1
20	N/A	Pinion, Steering .....	1
21	N/A	Screw, Rack Guide .....	1
22	N/A	Rack, Steering .....	1
23	8990	Tie Wrap, 8" Nylon .....	2
24	1035	Cotter Pin, 3/32 x 1 .....	1
25	1624	Screw, 3/8-16 X 1.50 Hex-Head Cap .....	3
26	334	Washer, 3/8 Type A Flat .....	3
27	7540	Ball Joint, Left (includes items 28 through 31) .....	1
28	N/A	Socket, LH Vertical .....	1
29	1011930	Seal, Vertical Socket Dust .....	1
30	1015597	Fitting, 1/4-28 Thread-Forming Grease .....	1
31	7602	Nut, 3/8-24 UNF Hex .....	1
32	7555	Nut, 1/2-20 Hex, Left-Hand Thread .....	1
33	8754	Locknut, 3/8-16 Hex .....	3

**5**  
**G**  
**E**



000304-001

# FRONT FRAME PLATES – TURF/CARRYALL 252 AND XRT 900

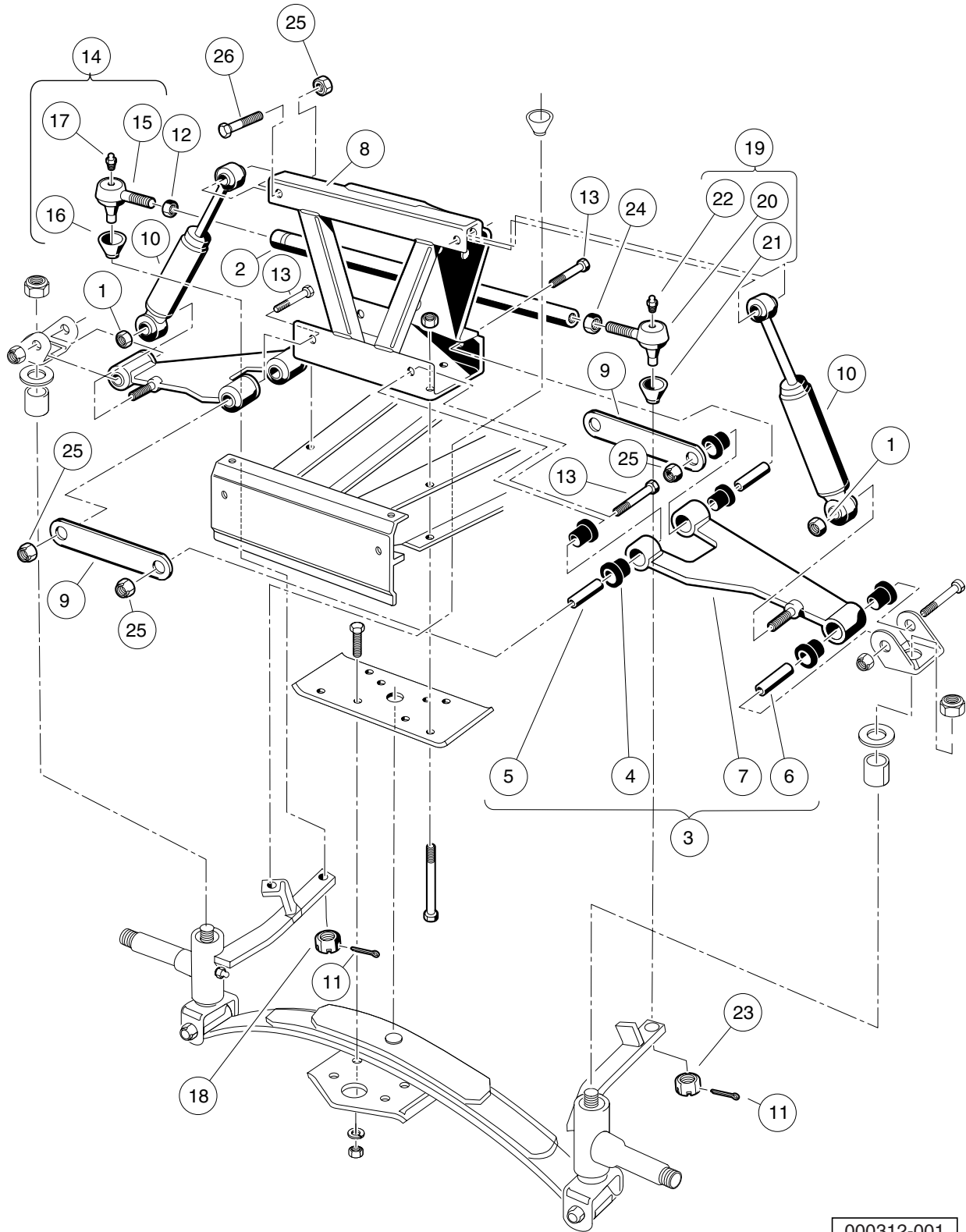
ITEM	PART NO.	DESCRIPTION	QTY
		1 2 3 4	
1	N/A	Extension, I-Beam .....	4
2	1218	Screw, 5/16-18 X 1.25 Hex-Head Cap .....	16
3	1241	Washer, 5/16 Type A Flat .....	32
4	7473	Locknut, 5/16-18 Nylon Insert .....	16

**5**

**G**

**E**

**5**  
**G**  
**E**



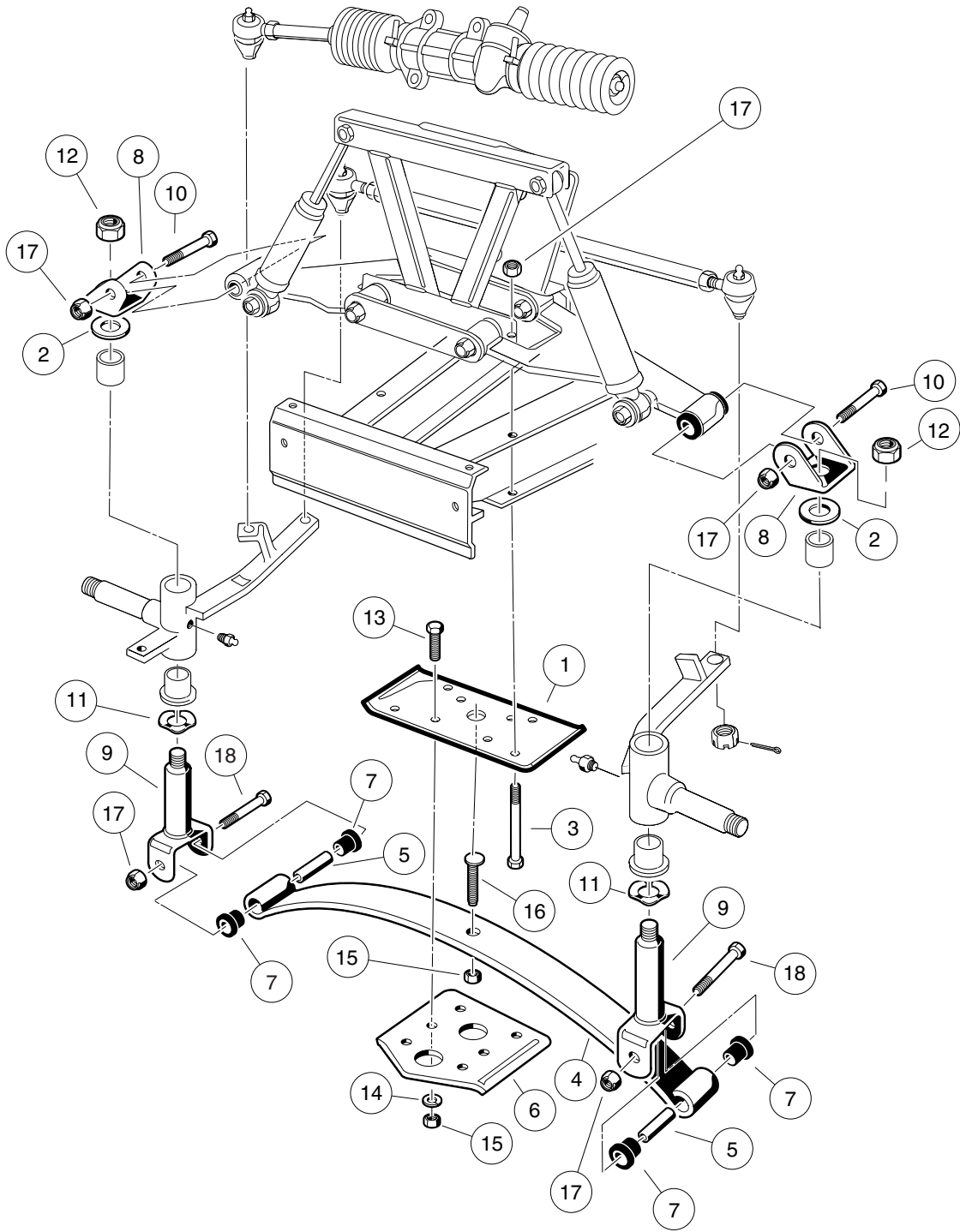
000312-001

# FRONT SUSPENSION, UPPER – VEHICLES WITH TWO-WHEEL BRAKES

ITEM	PART NO.	DESCRIPTION	QTY
		<b>1 2 3 4</b>	
1	1010138	Locknut, 3/8-16 Dimpled .....	2
2	1010219	Tie Rod .....	1
3	1016353	Sub-Assembly, Delta A-Plate (includes items 4 through 7) .....	2
4	1016346	Bushing, Urethane .....	6
5	1016349	Sleeve, Delta Inner .....	2
6	1016350	Sleeve, Delta Outer .....	1
7	N/A	Delta A-Plate .....	1
8	1016385	Delta Shock and Gear Support Assembly .....	1
9	1017266	A-Plate Strap .....	2
10	103351001	Shock Absorber, Front, Common .....	2
11	1035	Cotter Pin, 3/32 x 1 .....	2
12	1308	Nut, 1/2-20 Hex .....	1
13	2402	Screw, 3/8-16 X 2.25 Hx Hd Cap .....	4
14	7539	Ball Joint, Right-Hand (includes items 15 through 18) .....	1
15	N/A	Socket, RH Vertical .....	1
16	1011930	Seal, Vertical Socket Dust .....	1
17	1015597	Fitting, 1/4-28 Thread-Forming Grease .....	1
18	7602	Nut, 3/8-24 UNF Hex .....	1
19	7540	Ball Joint, Left (includes items 20 through 23) .....	1
20	N/A	Socket, LH Vertical .....	1
21	1011930	Seal, Vertical Socket Dust .....	1
22	1015597	Fitting, 1/4-28 Thread-Forming Grease .....	1
23	7602	Nut, 3/8-24 UNF Hex .....	1
24	7555	Nut, 1/2-20 Hex, Left-Hand Thread .....	1
25	8754	Locknut, 3/8-16 Hex .....	6
26	8861	Bolt, 3/8-16 X 1.75 Hex .....	2

**5**  
**G**  
**E**

**5**  
**G**  
**E**



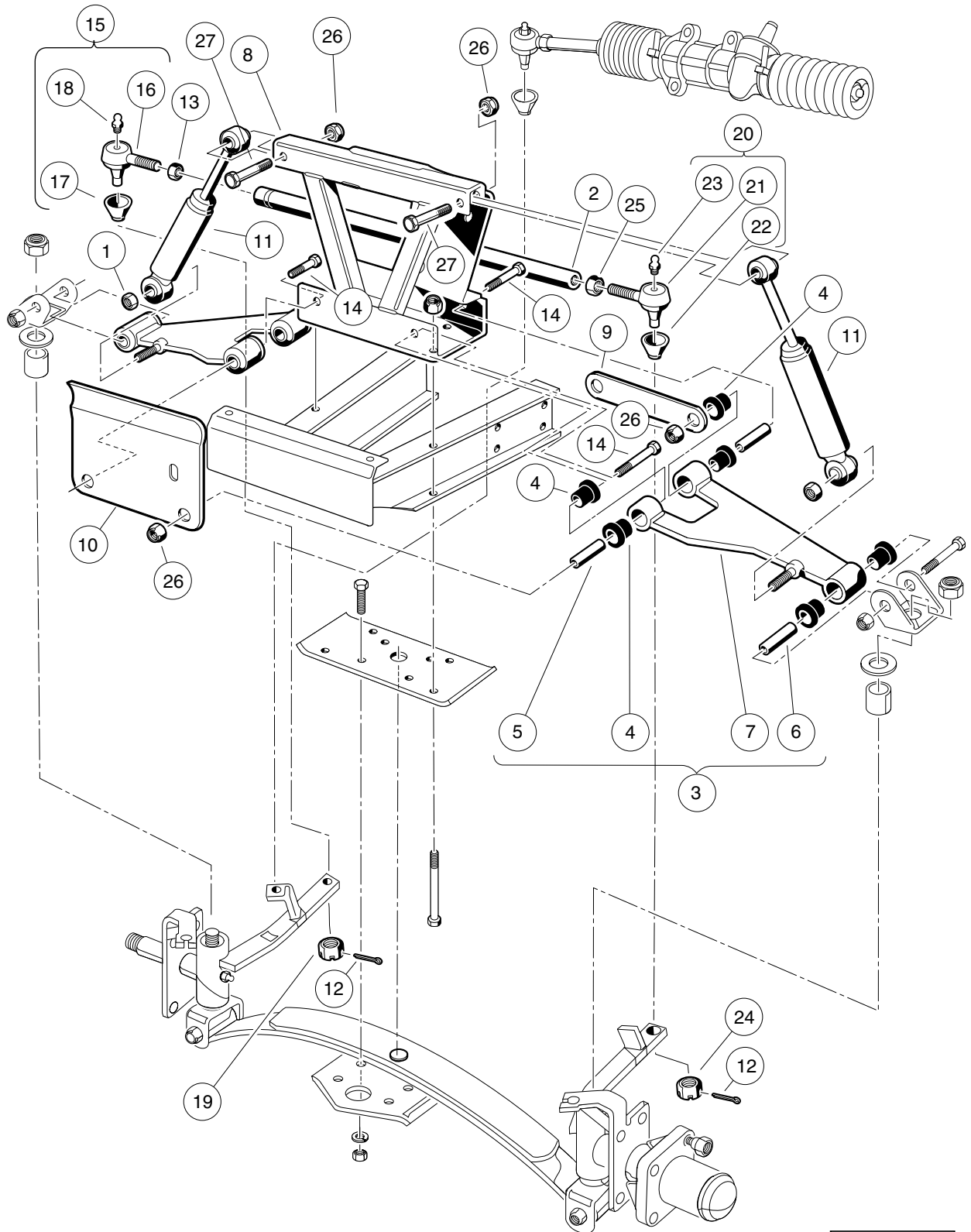
000311-001

# FRONT SUSPENSION, LOWER – VEHICLES WITH TWO-WHEEL BRAKES

ITEM	PART NO.	DESCRIPTION	QTY
		<b>1 2 3 4</b>	
1	1010124	Plate, Spring Mount .....	1
2	1010150	Bearing, Thrust .....	2
3	1010200	Bolt, 3/8-16 X 4.25 Hex Head .....	4
4	1012030	Spring, Front Leaf .....	1
5	1012303	Bushing, Steel .....	2
6	1014276	Plate, Front Spring Retainer .....	1
7	1015583	Bushing, Urethane .....	4
8	1016384	Clevis, Delta Upper .....	2
9	1016386	King Pin Assembly .....	2
10	1016387	Screw, 3/8-16 X 2.75 Hx Hd Cap .....	2
11	1016389	Washer, 1.125 Od Wave .....	2
12	101903101	Locknut, 1/2-20 Nylon Insert .....	2
13	1624	Screw, 3/8-16 X 1.50 Hex-Head Cap .....	4
14	357	Washer, Lock, Hel Sp 3/8 Reg .....	4
15	706	Nut, Hex 3/8-16 .....	5
16	8745	Screw, Eccentric Adjustment .....	1
17	8754	Locknut, 3/8-16 Hex .....	8
18	8755	Screw, 3/8-16 X 3.375 Hex Cap .....	2

**5**  
**G**  
**E**

**5**  
**G**  
**E**



000314-001

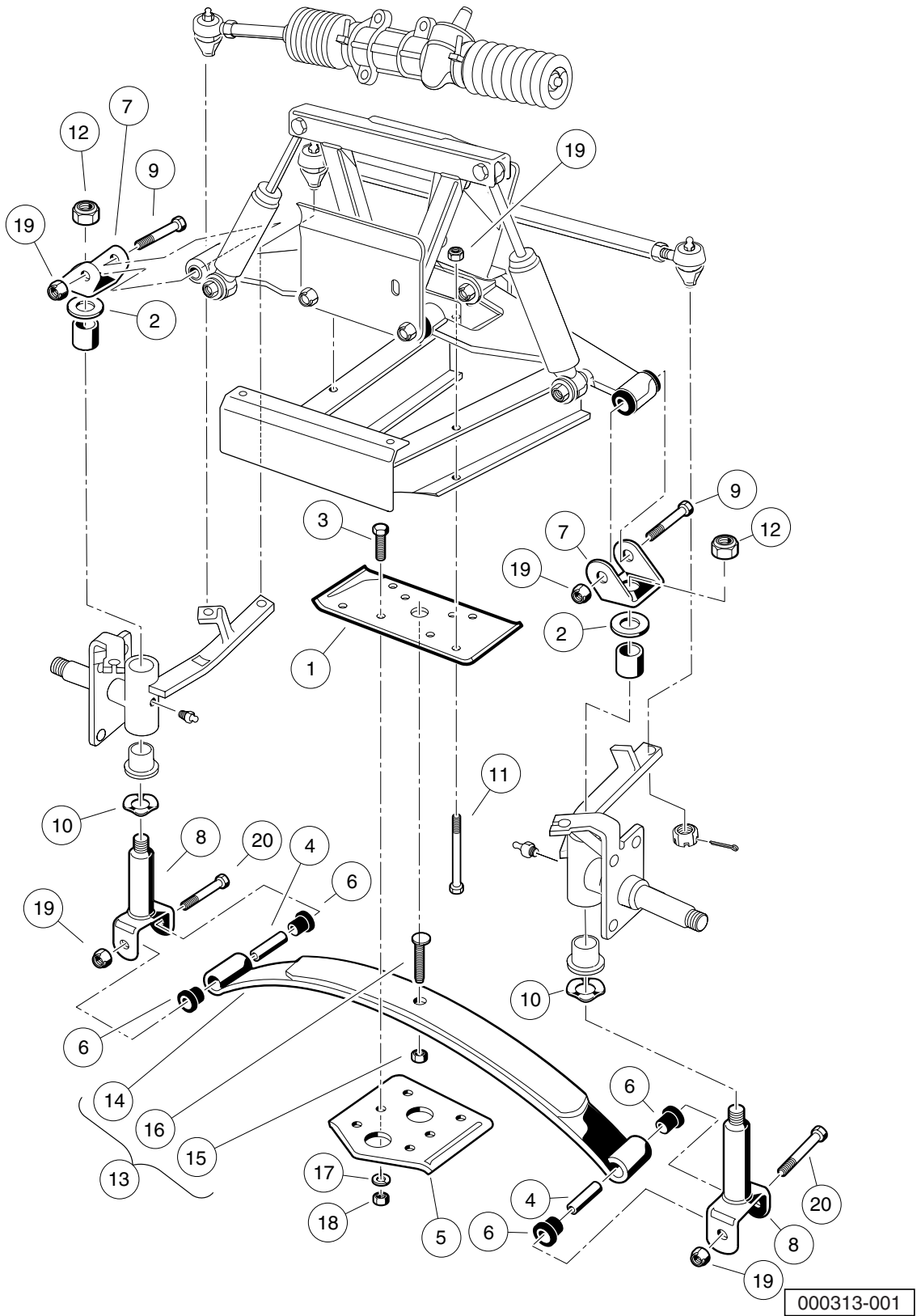


# FRONT SUSPENSION, UPPER – TURF/CARRYALL 252 AND XRT 900

ITEM	PART NO.	DESCRIPTION	QTY
		<b>1 2 3 4</b>	
1	1010138	Locknut, 3/8-16 Dimpled .....	2
2	1010219	Tie Rod .....	1
3	1016353	Sub-Assembly, Delta A-Plate (includes items 4 through 7) .....	2
4	1016346	Bushing, Urethane .....	6
5	1016349	Sleeve, Delta Inner .....	2
6	1016350	Sleeve, Delta Outer .....	1
7	N/A	Delta A-Plate .....	1
8	1016385	Delta Shock and Gear Support Assembly .....	1
9	1017266	A-Plate Strap .....	1
10	101955001	Bracket, Brake Cable Guide .....	1
11	103351001	Shock Absorber, Front, Common .....	2
12	1035	Cotter Pin, 3/32 x 1 .....	2
13	1308	Nut, 1/2-20 Hex .....	1
14	2402	Screw, 3/8-16 X 2.25 Hx Hd Cap .....	4
15	7539	Ball Joint, Right-Hand (includes items 16 through 19) .....	1
16	N/A	Socket, RH Vertical .....	1
17	1011930	Seal, Vertical Socket Dust .....	1
18	1015597	Fitting, 1/4-28 Thread-Forming Grease .....	1
19	7602	Nut, 3/8-24 UNF Hex .....	1
20	7540	Ball Joint, Left (includes items 21 through 24) .....	1
21	N/A	Socket, LH Vertical .....	1
22	1011930	Seal, Vertical Socket Dust .....	1
23	1015597	Fitting, 1/4-28 Thread-Forming Grease .....	1
24	7602	Nut, 3/8-24 UNF Hex .....	1
25	7555	Nut, 1/2-20 Hex, Left-Hand Thread .....	1
26	8754	Locknut, 3/8-16 Hex .....	6
27	8861	Bolt, 3/8-16 X 1.75 Hex .....	2

**5**  
**G**  
**E**

**5**  
**G**  
**E**

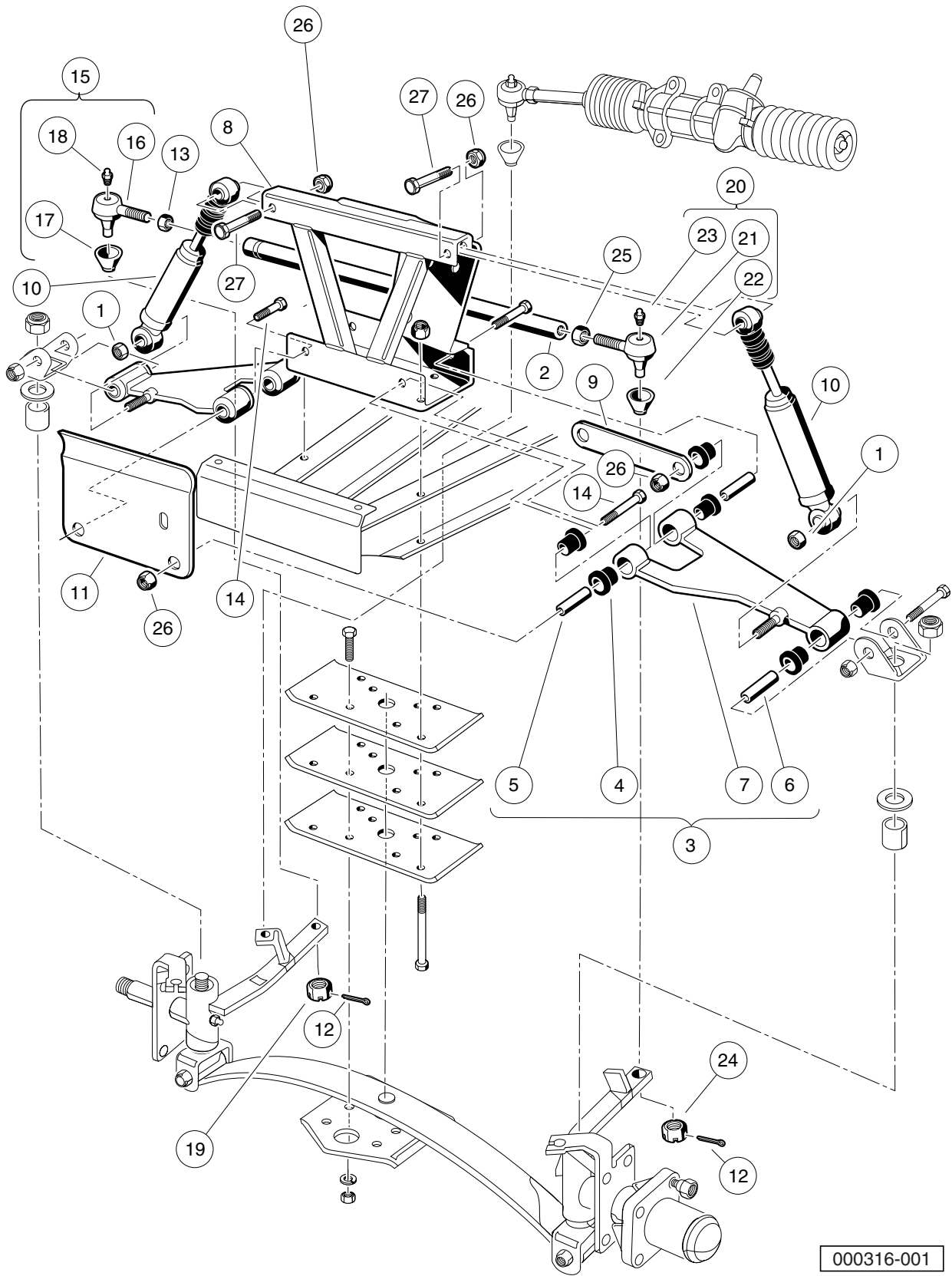


# FRONT SUSPENSION, LOWER – TURF/CARRYALL 252 AND XRT 900

ITEM	PART NO.	DESCRIPTION	QTY
		1 2 3 4	
1	1010124	Plate, Spring Mount .....	1
2	1010150	Bearing, Thrust .....	2
3	1010177	Bolt, 3/8-16 X 2.00 Hex Head .....	4
4	1012303	Bushing, Steel .....	2
5	1014276	Plate, Front Spring Retainer .....	1
6	1015583	Bushing, Urethane .....	4
7	1016384	Clevis, Delta Upper .....	2
8	1016386	King Pin Assembly .....	2
9	1016387	Screw, 3/8-16 X 2.75 Hx Hd Cap .....	2
10	1016389	Washer, 1.125 Od Wave .....	2
11	101870501	Screw, 3/8-16 X 4.75 Hx Hd Cap .....	4
12	101903101	Locknut, 1/2-20 Nylon Insert .....	2
13	102004001	Spring, Front (includes items 14 through 16) .....	1
14	N/A	Spring, Front Leaf .....	1
15	706	Nut, Hex 3/8-16 .....	1
16	8745	Screw, Eccentric Adjustment .....	1
17	357	Washer, Lock, Hel Sp 3/8 Reg .....	4
18	706	Nut, Hex 3/8-16 .....	4
19	8754	Locknut, 3/8-16 Hex .....	8
20	8755	Screw, 3/8-16 X 3.375 Hex Cap .....	2

5  
G  
E

**5**  
**G**  
**E**



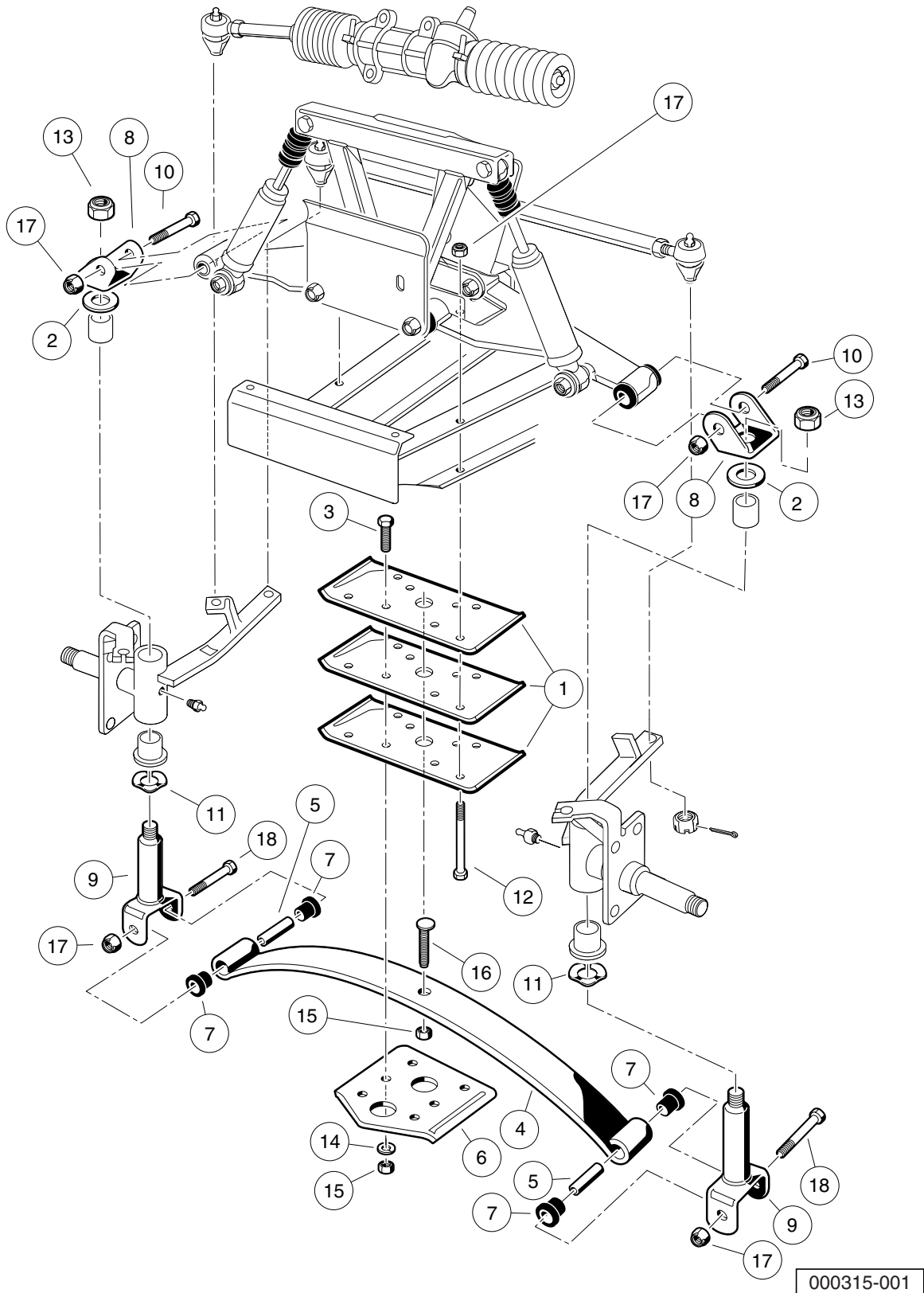
000316-001

# FRONT SUSPENSION, UPPER – TURF/CARRYALL 2 AND 2 PLUS WITH FOUR-WHEEL BRAKES

ITEM	PART NO.	DESCRIPTION	QTY
		<b>1 2 3 4</b>	
1	1010138	Locknut, 3/8-16 Dimpled .....	2
2	1010219	Tie Rod .....	1
3	1016353	Sub-Assembly, Delta A-Plate (includes items 4 through 7) .....	2
4	1016346	Bushing, Urethane .....	6
5	1016349	Sleeve, Delta Inner .....	2
6	1016350	Sleeve, Delta Outer .....	1
7	N/A	Delta A-Plate .....	1
8	1016385	Delta Shock and Gear Support Assembly .....	1
9	1017266	A-Plate Strap .....	1
10	101870601	Shock Absorber, Front Utility .....	2
11	101955001	Bracket, Brake Cable Guide .....	1
12	1035	Cotter Pin, 3/32 x 1 .....	2
13	1308	Nut, 1/2-20 Hex .....	1
14	2402	Screw, 3/8-16 X 2.25 Hx Hd Cap .....	4
15	7539	Ball Joint, Right-Hand (includes items 16 through 19) .....	1
16	N/A	Socket, RH Vertical .....	1
17	1011930	Seal, Vertical Socket Dust .....	1
18	1015597	Fitting, 1/4-28 Thread-Forming Grease .....	1
19	7602	Nut, 3/8-24 UNF Hex .....	1
20	7540	Ball Joint, Left (includes items 21 through 24) .....	1
21	N/A	Socket, LH Vertical .....	1
22	1011930	Seal, Vertical Socket Dust .....	1
23	1015597	Fitting, 1/4-28 Thread-Forming Grease .....	1
24	7602	Nut, 3/8-24 UNF Hex .....	1
25	7555	Nut, 1/2-20 Hex, Left-Hand Thread .....	1
26	8754	Locknut, 3/8-16 Hex .....	6
27	8861	Bolt, 3/8-16 X 1.75 Hex .....	2

**5**  
**G**  
**E**

**5**  
**G**  
**E**



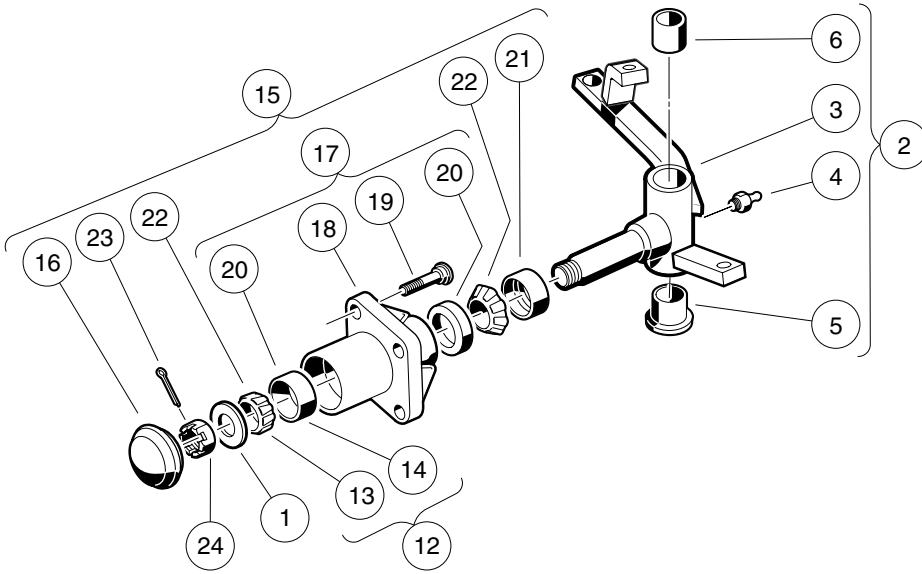
000315-001

# FRONT SUSPENSION, LOWER – TURF/CARRYALL 2 AND 2 PLUS WITH FOUR-WHEEL BRAKES

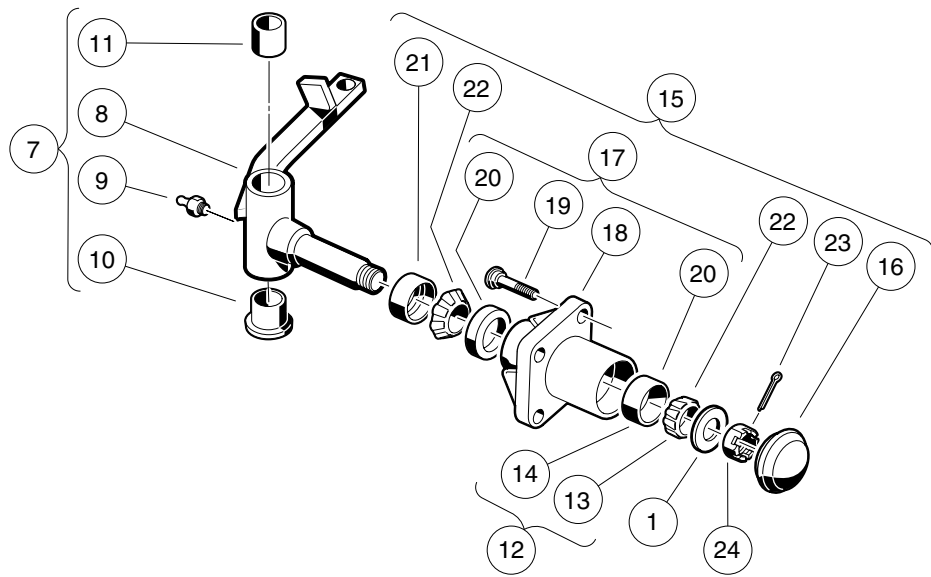
ITEM	PART NO.	DESCRIPTION	QTY
		1 2 3 4	
1	1010124	Plate, Spring Mount .....	3
2	1010150	Bearing, Thrust .....	2
3	1010177	Bolt, 3/8-16 X 2.00 Hex Head .....	4
4	1012030	Spring, Front Leaf .....	1
5	1012303	Bushing, Steel .....	2
6	1014276	Plate, Front Spring Retainer .....	1
7	1015583	Bushing, Urethane .....	4
8	1016384	Clevis, Delta Upper .....	2
9	1016386	King Pin Assembly .....	2
10	1016387	Screw, 3/8-16 X 2.75 Hx Hd Cap .....	2
11	1016389	Washer, 1.125 Od Wave .....	2
12	101870501	Screw, 3/8-16 X 4.75 Hx Hd Cap .....	4
13	101903101	Locknut, 1/2-20 Nylon Insert .....	2
14	357	Washer, Lock, Hel Sp 3/8 Reg .....	4
15	706	Nut, Hex 3/8-16 .....	5
16	8745	Screw, Eccentric Adjustment .....	1
17	8754	Locknut, 3/8-16 Hex .....	8
18	8755	Screw, 3/8-16 X 3.375 Hex Cap .....	2

**5**  
**G**  
**E**

PASSENGER SIDE



DRIVER SIDE



000310-001

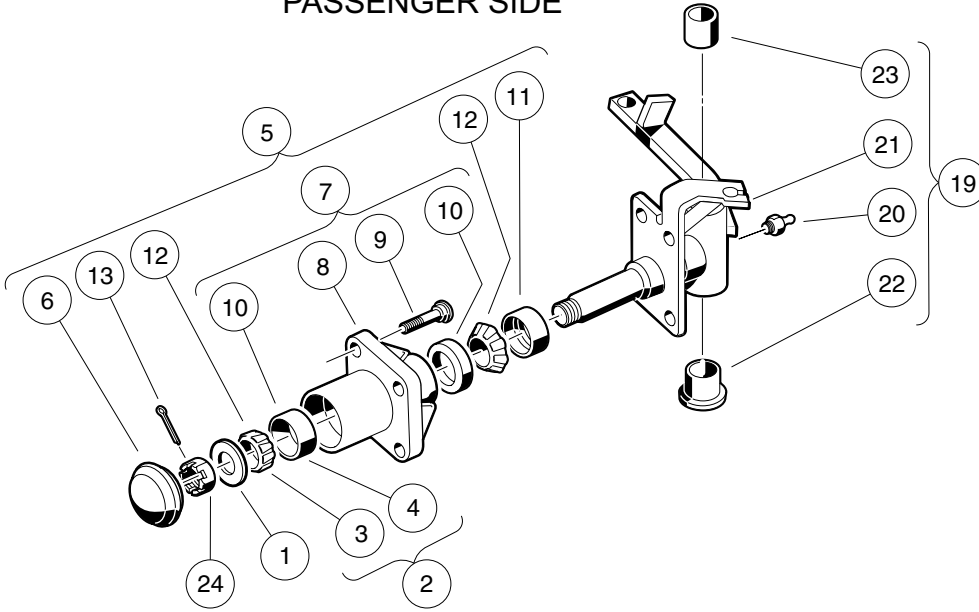


## FRONT SPINDLES AND HUBS – VEHICLES WITH TWO-WHEEL BRAKES

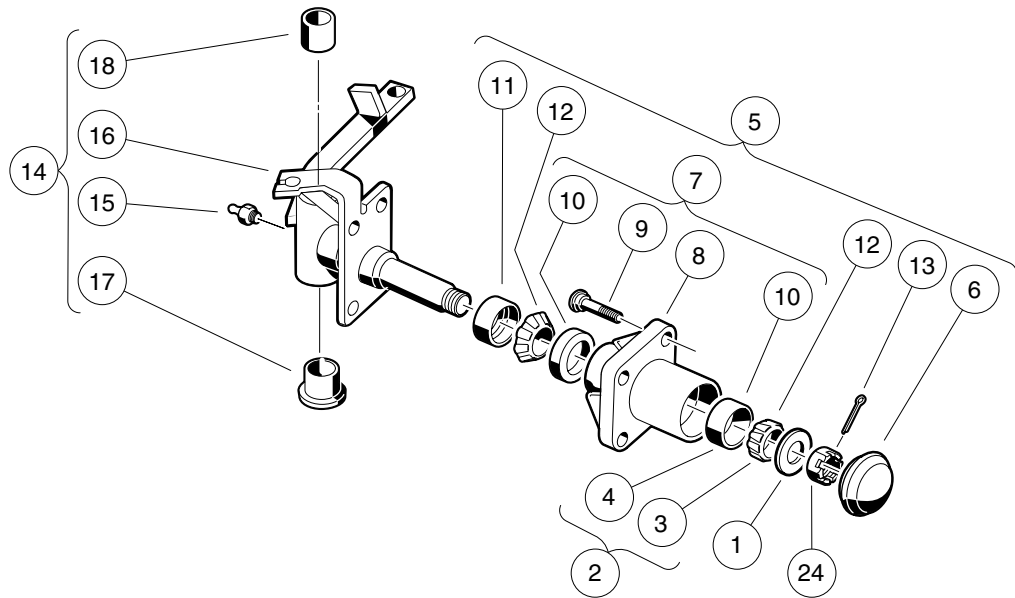
ITEM	PART NO.	DESCRIPTION	QTY
		<b>1 2 3 4</b>	
1	1010005	Washer, 3/4 Flat .....	2
2	1010347	Spindle Assembly, Right (includes items 3 through 6) .....	1
3	N/A	Spindle Sub-Assembly, Right-Hand .....	1
4	1015597	Fitting, 1/4-28 Thread-Forming Grease .....	1
5	7048	Bushing, Flanged Bronze .....	1
6	8067	Bushing, Bronze Spindle .....	1
7	1010348	Spindle Assembly, Left (includes items 8 through 11) .....	1
8	N/A	Spindle Sub-Assembly, Left-Hand .....	1
9	1015597	Fitting, 1/4-28 Thread-Forming Grease .....	1
10	7048	Bushing, Flanged Bronze .....	1
11	8067	Bushing, Bronze Spindle .....	1
12	1011393	Hub Bearing Package (includes items 13 and 14) .....	4
13	N/A	Bearing, Front Hub Wheel .....	1
14	N/A	Race, Front Hub Bearing .....	1
15	1011892	Hub Assembly (includes items 16 through 23) .....	2
16	1011887	Dust Cover .....	1
17	N/A	Hub (includes items 18 through 20) .....	1
18	N/A	Front Hub .....	1
19	N/A	50-20 Lug Stud .....	4
20	N/A	Race, Front Hub Bearing .....	2
21	1013135	Seal, Double Lip .....	1
22	N/A	Bearing, Front Hub Wheel .....	2
23	7910	Pin, 5/32 X 1.00 Cotter .....	1
24	7840	Nut, 3/4-16 Hex Slotted .....	2

**5**  
**G**  
**E**

PASSENGER SIDE



DRIVER SIDE



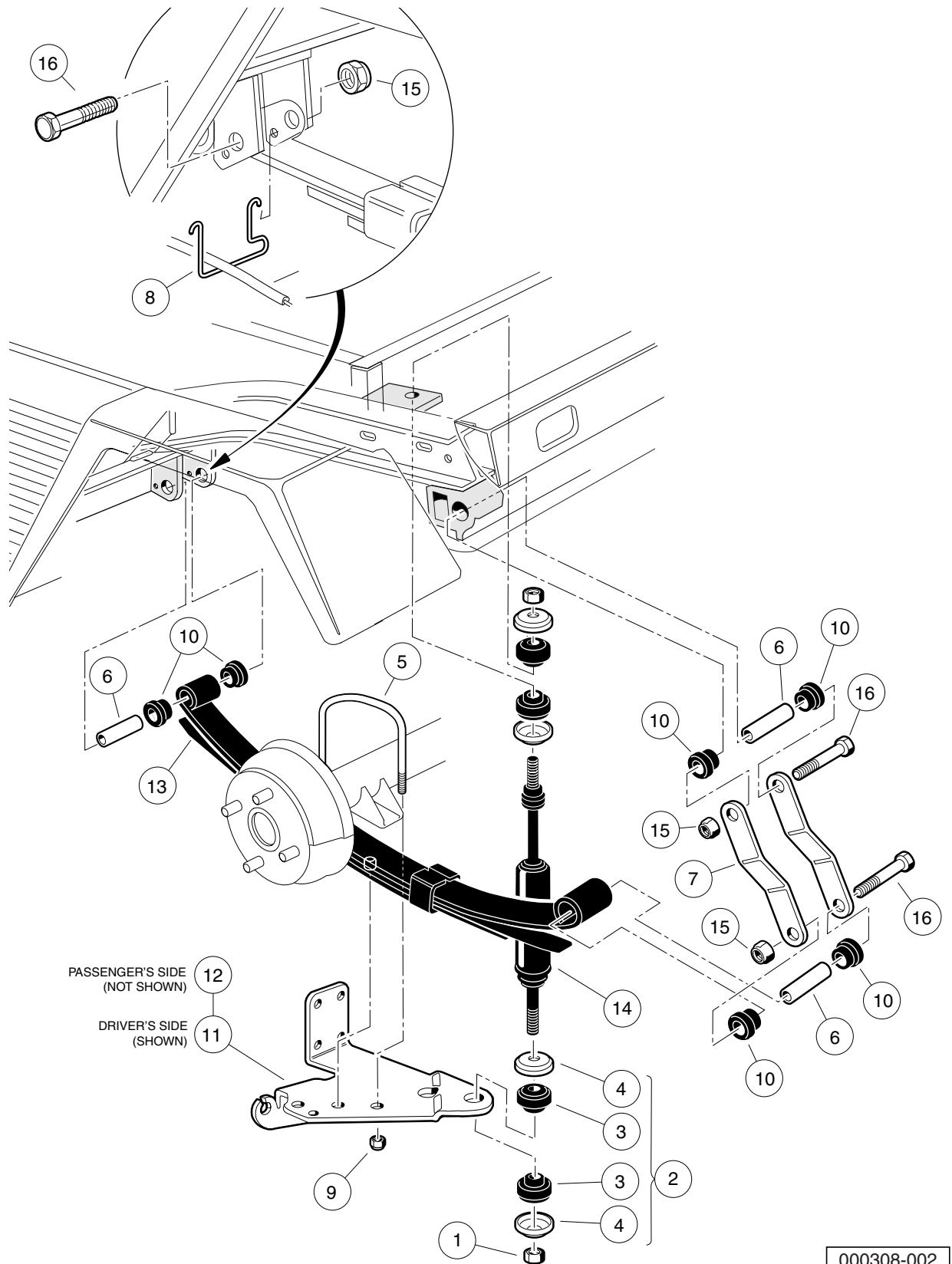
000310-002

## FRONT SPINDLES AND HUBS – VEHICLES WITH FOUR-WHEEL BRAKES

ITEM	PART NO.	DESCRIPTION	QTY
		<b>1 2 3 4</b>	
1	1010005	Washer, 3/4 Flat .....	2
2	1011393	Hub Bearing Package (includes items 3 and 4) .....	4
3	N/A	Bearing, Front Hub Wheel .....	1
4	N/A	Race, Front Hub Bearing .....	1
5	1011892	Hub Assembly (includes items 6 through 13) .....	2
6	1011887	Dust Cover .....	1
7	N/A	Hub (includes items 8 through 10) .....	1
8	N/A	Front Hub .....	1
9	N/A	50-20 Lug Stud .....	4
10	N/A	Race, Front Hub Bearing .....	2
11	1013135	Seal, Double Lip .....	1
12	N/A	Bearing, Front Hub Wheel .....	2
13	7910	Pin, 5/32 X 1.00 Cotter .....	1
14	101876901	Spindle Assembly Left (includes items 15 through 18) .....	1
15	1015597	Fitting, 1/4-28 Thread-Forming Grease .....	1
16	N/A	Spindle Assembly, Left .....	1
17	7048	Bushing, Flanged Bronze .....	1
18	8067	Bushing, Bronze Spindle .....	1
19	101877001	Spindle Assembly Right (includes items 20 through 23) .....	1
20	1015597	Fitting, 1/4-28 Thread-Forming Grease .....	1
21	N/A	Spindle Assembly, Right .....	1
22	7048	Bushing, Flanged Bronze .....	1
23	8067	Bushing, Bronze Spindle .....	1
24	7840	Nut, 3/4-16 Hex Slotted .....	2

**5**  
**G**  
**E**

**5**  
**G**  
**E**



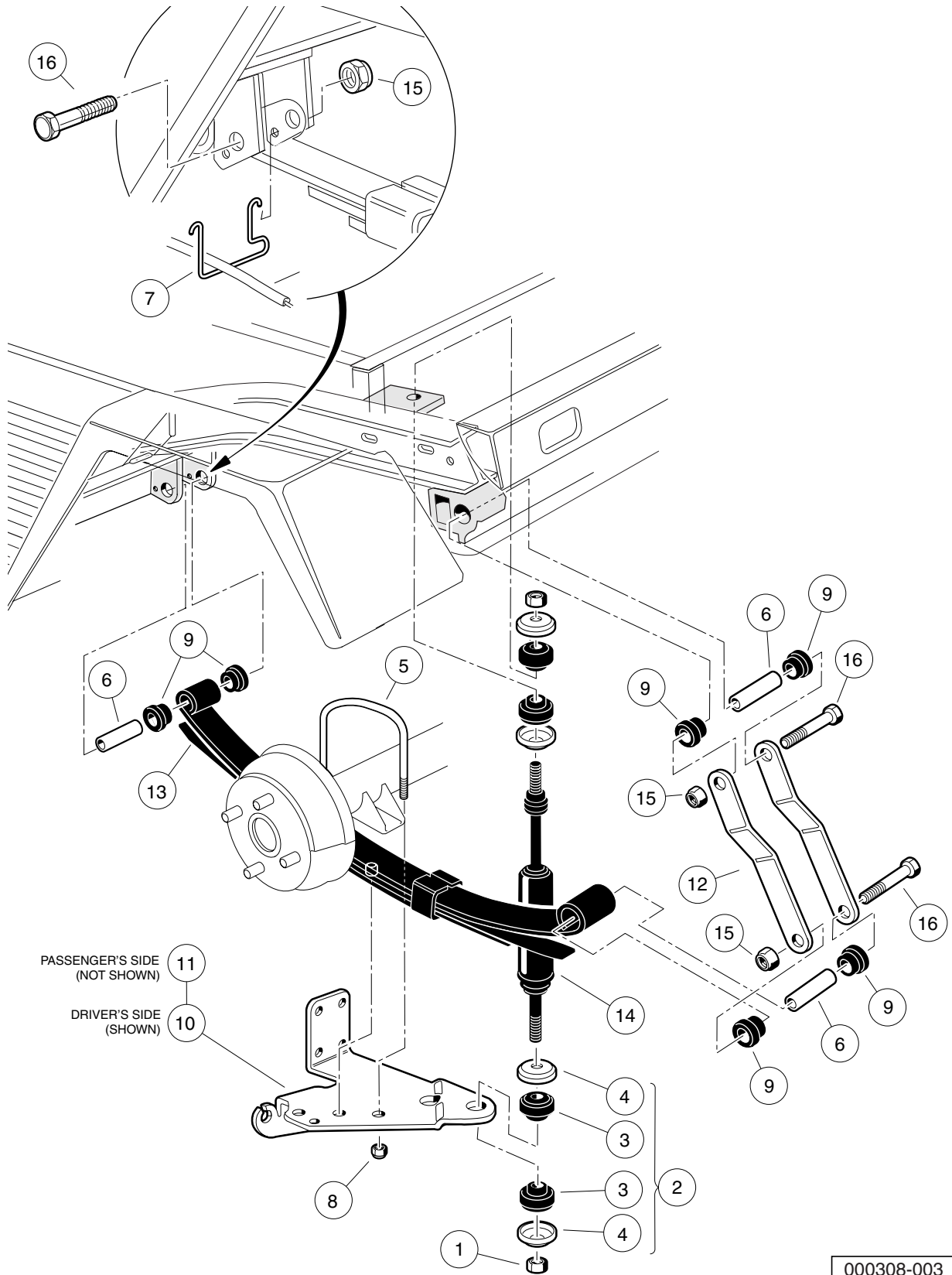
000308-002

# REAR SUSPENSION – GASOLINE TURF/CARRYALL 2 AND CARRYALL 2 PLUS

ITEM	PART NO.	DESCRIPTION	QTY
		1 2 3 4	
1	1010145	Nut, 3/8-24 Hex .....	4
2	1011415	Kit, Shock Absorber Cushion (includes items 3 and 4) .....	4
3	N/A	Cushion, Shock Absorber .....	2
4	N/A	Retainer, Shock Absorber Cushion .....	2
5	1012180	U-Bolt .....	2
6	1012303	Bushing, Steel .....	6
7	1012304	Shackle, Rear Spring .....	4
8	1013207	Hanger, Brake Cable .....	2
9	1014555	Locknut, 7/16-14 Nylon Insert .....	4
10	1015583	Bushing, Urethane .....	12
11	101926501	Bracket, Left-Hand .....	1
12	101929401	Bracket, Right .....	1
13	102871801	Spring, Multi Leaf .....	2
14	103350901	Shock Absorber, Rear, Utility .....	2
15	8754	Locknut, 3/8-16 Hex .....	6
16	8755	Screw, 3/8-16 X 3.375 Hex Cap .....	6
<p>Note: Only the driver-side rear suspension is shown. Parts for the passenger-side rear suspension are identical except for the leaf spring/shock mounting plate.</p>			

5  
G  
E

**5**  
**G**  
**E**



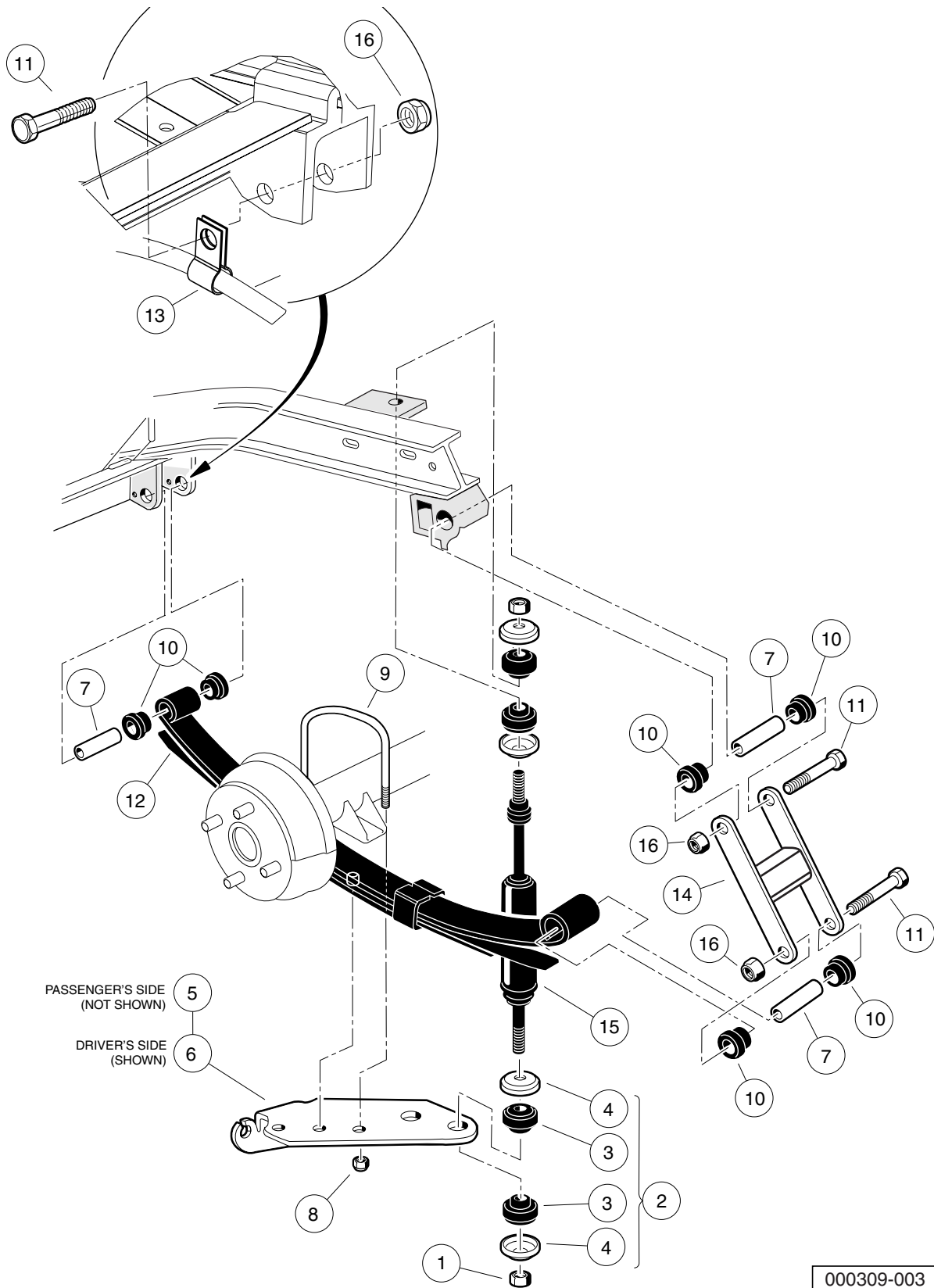
000308-003

## REAR SUSPENSION – GASOLINE TURF/ CARRYALL 252 AND XRT 900

ITEM	PART NO.	DESCRIPTION	QTY
		1 2 3 4	
1	1010145	Nut, 3/8-24 Hex .....	4
2	1011415	Kit, Shock Absorber Cushion (includes items 3 and 4) .....	4
3	N/A	Cushion, Shock Absorber .....	2
4	N/A	Retainer, Shock Absorber Cushion .....	2
5	1012180	U-Bolt .....	2
6	1012303	Bushing, Steel .....	6
7	1013207	Hanger, Brake Cable .....	2
8	1014555	Locknut, 7/16-14 Nylon Insert .....	4
9	1015583	Bushing, Urethane .....	12
10	101926501	Bracket, Left-Hand .....	1
11	101929401	Bracket, Right .....	1
12	102004201	Rear Spring Shackle .....	4
13	102871801	Spring, Multi Leaf .....	2
14	103351101	Shock, Absorber, Utility .....	2
15	8754	Locknut, 3/8-16 Hex .....	6
16	8755	Screw, 3/8-16 X 3.375 Hex Cap .....	6
<p>Note: Only the driver-side rear suspension is shown. Parts for the passenger-side rear suspension are identical except for the leaf spring/shock mounting plate.</p>			

5  
G  
E

**5**  
**G**  
**E**



000309-003

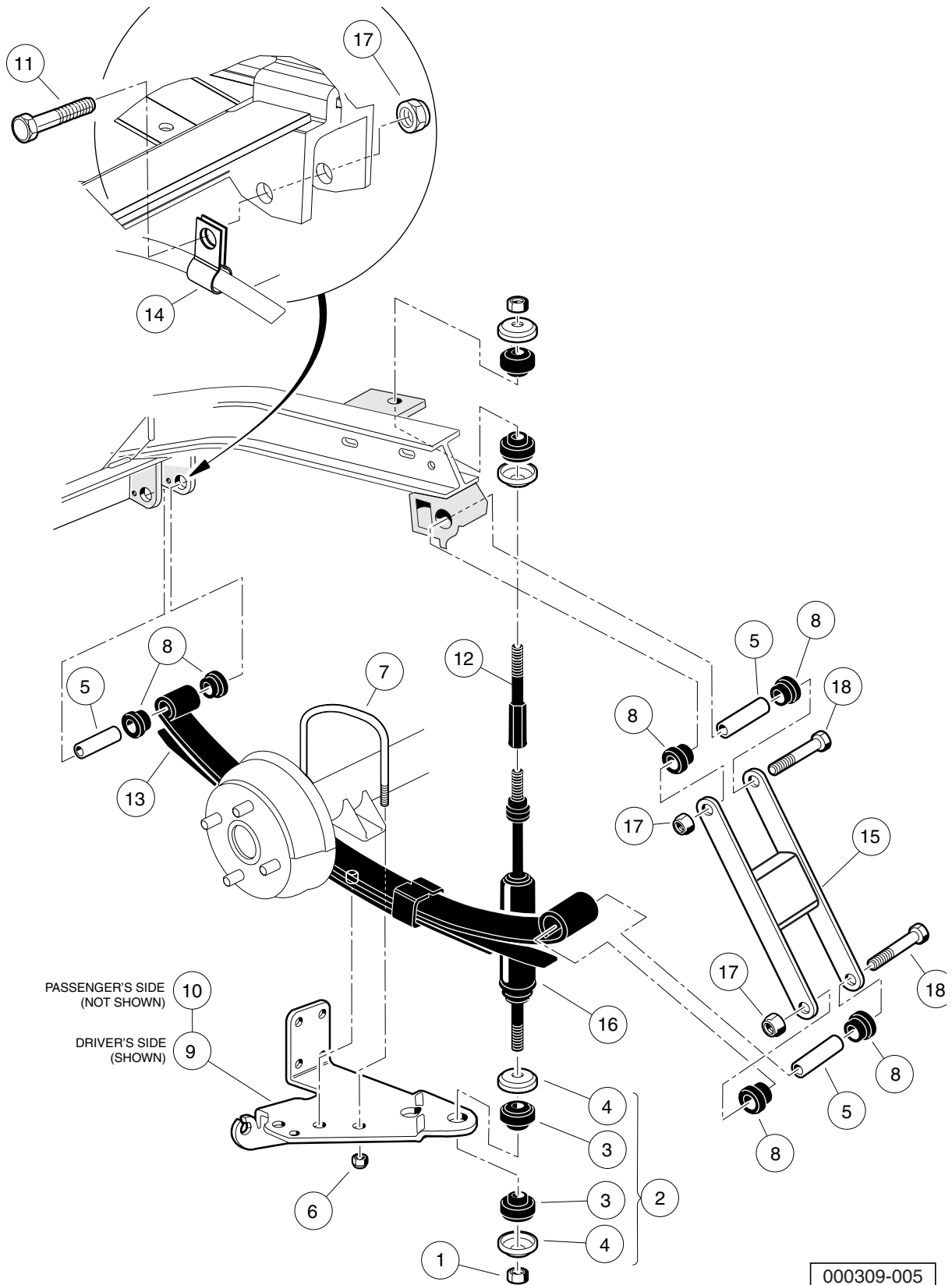


## REAR SUSPENSION – TURF/CARRYALL 2 IQ PLUS VEHICLES

ITEM	PART NO.	DESCRIPTION	QTY
		1 2 3 4	
1	1010145	Nut, 3/8-24 Hex .....	4
2	1011415	Kit, Shock Absorber Cushion (includes items 3 and 4) .....	4
3	N/A	Cushion, Shock Absorber .....	2
4	N/A	Retainer, Shock Absorber Cushion .....	2
5	1012181	Bracket, Shock Mounting, Right (Passenger) .....	1
6	1012182	Bracket, Shock Mounting, Left (Driver) .....	1
7	1012303	Bushing, Steel .....	6
8	1014555	Locknut, 7/16-14 Nylon Insert .....	4
9	1014902	U-Bolt .....	2
10	1015583	Bushing, Urethane .....	12
11	102066201	Screw, 3/8-16 X 3.50 Hex Cap .....	6
12	102871801	Spring, Multi Leaf .....	2
13	102891101	Clamp, Cable, Brake, Sym .....	2
14	102917101	Weldment, Shackle .....	2
15	103351101	Shock, Absorber, Utility .....	2
16	8754	Locknut, 3/8-16 Hex .....	6
<p>Note: Only the driver-side rear suspension is shown. Parts for the passenger-side rear suspension are identical except for the leaf spring/shock mounting plate.</p>			

5  
G  
E

**5**  
**G**  
**E**

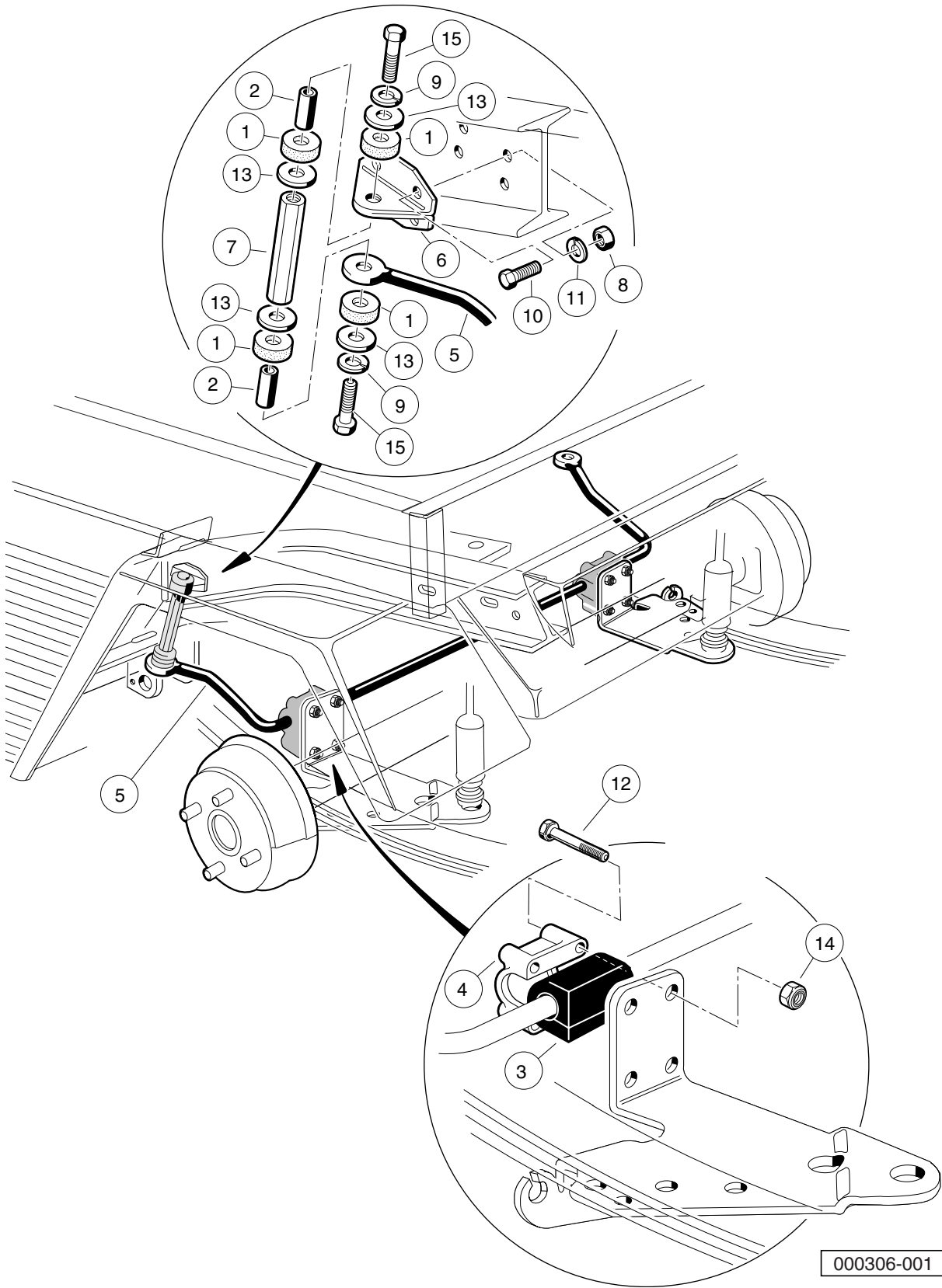


# REAR SUSPENSION – TURF/CARRYALL 252 AND XRT 900 IQ PLUS VEHICLES

ITEM	PART NO.	DESCRIPTION	QTY
		1 2 3 4	
1	1010145	Nut, 3/8-24 Hex .....	4
2	1011415	Kit, Shock Absorber Cushion (includes items 3 and 4) .....	4
3	N/A	Cushion, Shock Absorber .....	2
4	N/A	Retainer, Shock Absorber Cushion .....	2
5	1012303	Bushing, Steel .....	6
6	1014555	Locknut, 7/16-14 Nylon Insert .....	4
7	1014902	U-Bolt .....	2
8	1015583	Bushing, Urethane .....	12
9	101926501	Bracket, Left-Hand .....	1
10	101929401	Bracket, Right .....	1
11	102066201	Screw, 3/8-16 X 3.50 Hex Cap .....	2
12	102399001	Shock Extension .....	2
13	102871801	Spring, Multi Leaf .....	2
14	102891101	Clamp, Cable, Brake, Sym .....	2
15	103324801	Weldment, Shackle, 10.0 .....	2
16	103351101	Shock, Absorber, Utility .....	2
17	8754	Locknut, 3/8-16 Hex .....	6
18	8755	Screw, 3/8-16 X 3.375 Hex Cap .....	4
<p>Note: Only the driver-side rear suspension is shown. Parts for the passenger-side rear suspension are identical except for the leaf spring/shock mounting plate.</p>			

5  
G  
E

**5**  
**G**  
**E**

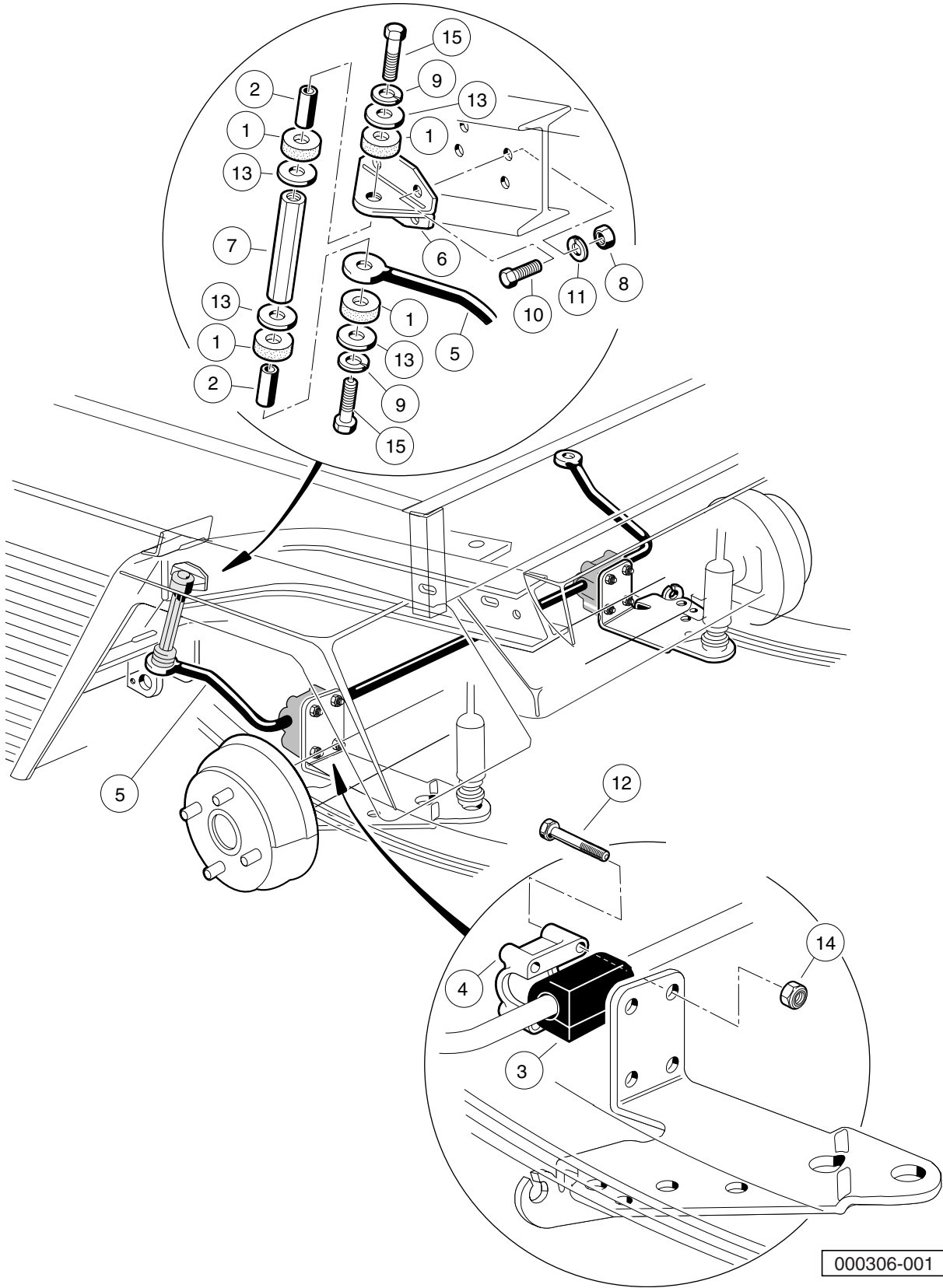


000306-001

# STABILIZER BAR – TURF/CARRYALL 2 AND CARRYALL 2 PLUS GASOLINE VEHICLES

ITEM	PART NO.	DESCRIPTION	QTY	
		1 2 3 4		<b>5</b>
1	1015453	Compression Mount .....	8	<b>G</b>
2	1015457	Spacer, 0.720" .....	4	<b>E</b>
3	1015613	Bushing, Stabilizer Bar .....	2	
4	1015614	Support, Bushing .....	2	
5	1015760	Stabilizer Bar .....	1	
6	1016813	Mounting Bracket, Stabilizer Bar .....	2	
7	1016814	Link, Stabilizer Bar .....	2	
8	1242	Nut, 5/16-18 Hex .....	8	
9	357	Washer, Lock, Hel Sp 3/8 Reg .....	4	
10	7173	Screw, 5/16-18 X 0.75 Hex-Head Cap .....	8	
11	7174	Lockwasher, 5/16 Split .....	8	
12	7311	Screw, 1/4-20 X 2.00 Hex-Head Cap .....	8	
13	808	Washer, 3/8 Type B Flat .....	8	
14	8233	Locknut, 1/4-20 Nylon Insert .....	8	
15	8861	Bolt, 3/8-16 X 1.75 Hex .....	4	
<p>Note: Only the driver side of the stabilizer bar is shown. Parts for the passenger side of the stabilizer bar are identical.</p>				

**5**  
**G**  
**E**



000306-001

# STABILIZER BAR – GASOLINE TURF/CARRYALL 252 AND XRT 900

ITEM	PART NO.	DESCRIPTION	QTY
		1 2 3 4	
1	1015453	Compression Mount .....	8
2	1015457	Spacer, 0.720" .....	4
3	1015613	Bushing, Stabilizer Bar .....	2
4	1015614	Support, Bushing .....	2
5	1015760	Stabilizer Bar .....	1
6	1016813	Mounting Bracket, Stabilizer Bar .....	2
7	102004901	Link, Stabilizer Bar .....	2
8	1242	Nut, 5/16-18 Hex .....	8
9	357	Washer, Lock, Hel Sp 3/8 Reg .....	4
10	7173	Screw, 5/16-18 X 0.75 Hex-Head Cap .....	8
11	7174	Lockwasher, 5/16 Split .....	8
12	7311	Screw, 1/4-20 X 2.00 Hex-Head Cap .....	8
13	808	Washer, 3/8 Type B Flat .....	8
14	8233	Locknut, 1/4-20 Nylon Insert .....	8
15	8861	Bolt, 3/8-16 X 1.75 Hex .....	4
<p>Note: Only the driver side of the stabilizer bar is shown. Parts for the passenger side of the stabilizer bar are identical.</p>			

5  
G  
E

**5**

**G**

**E**

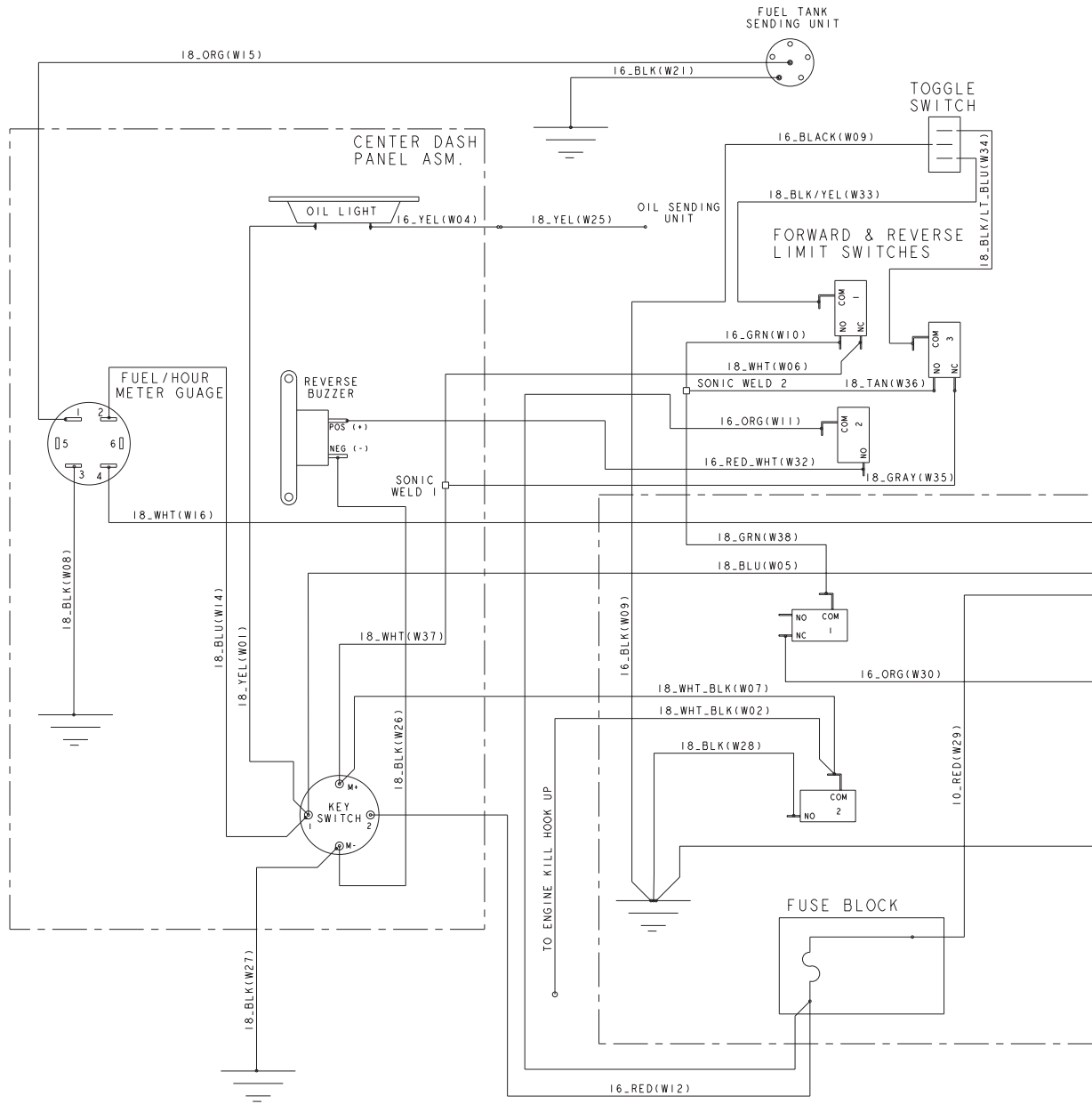


# ELECTRICAL SYSTEM – GASOLINE VEHICLE

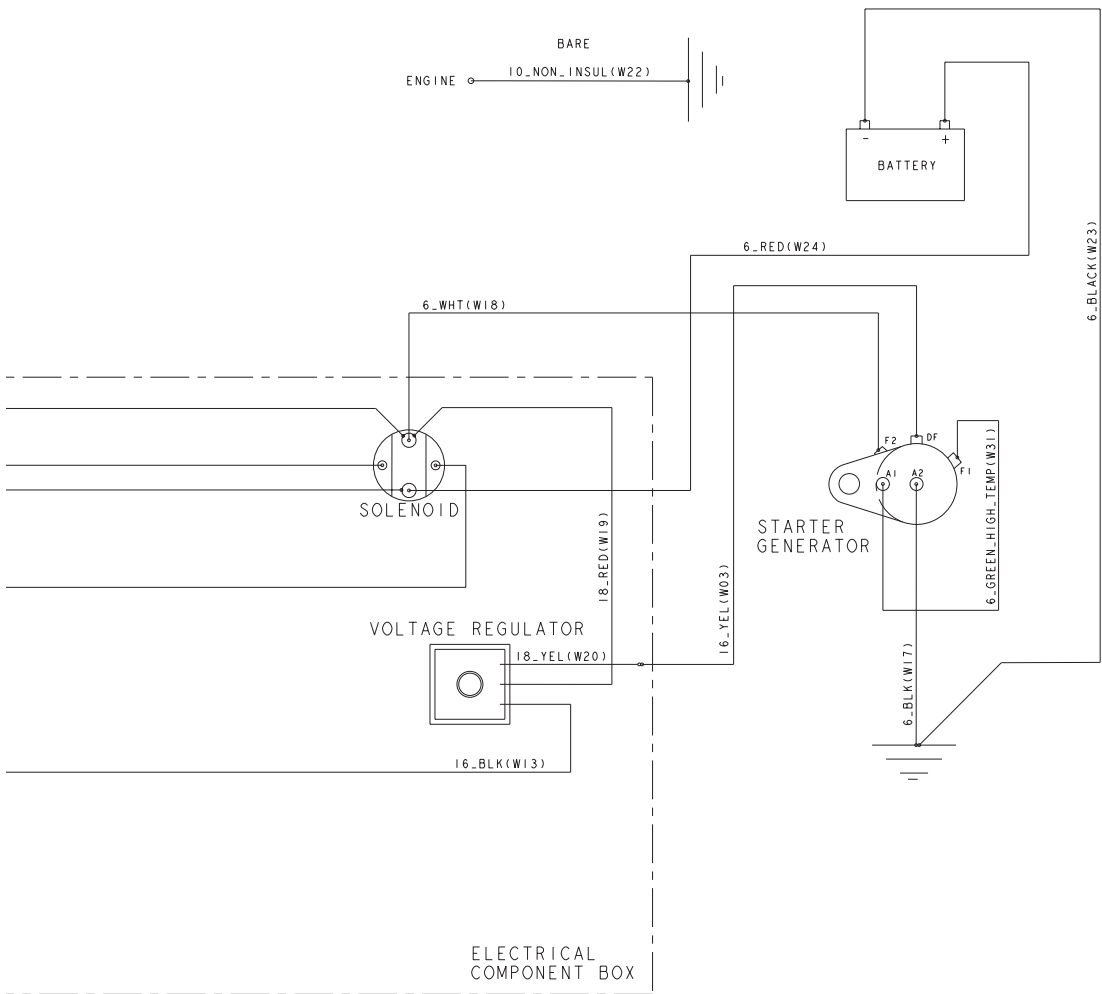
---

6

G



000594-001



000594-001

**6**

**G**

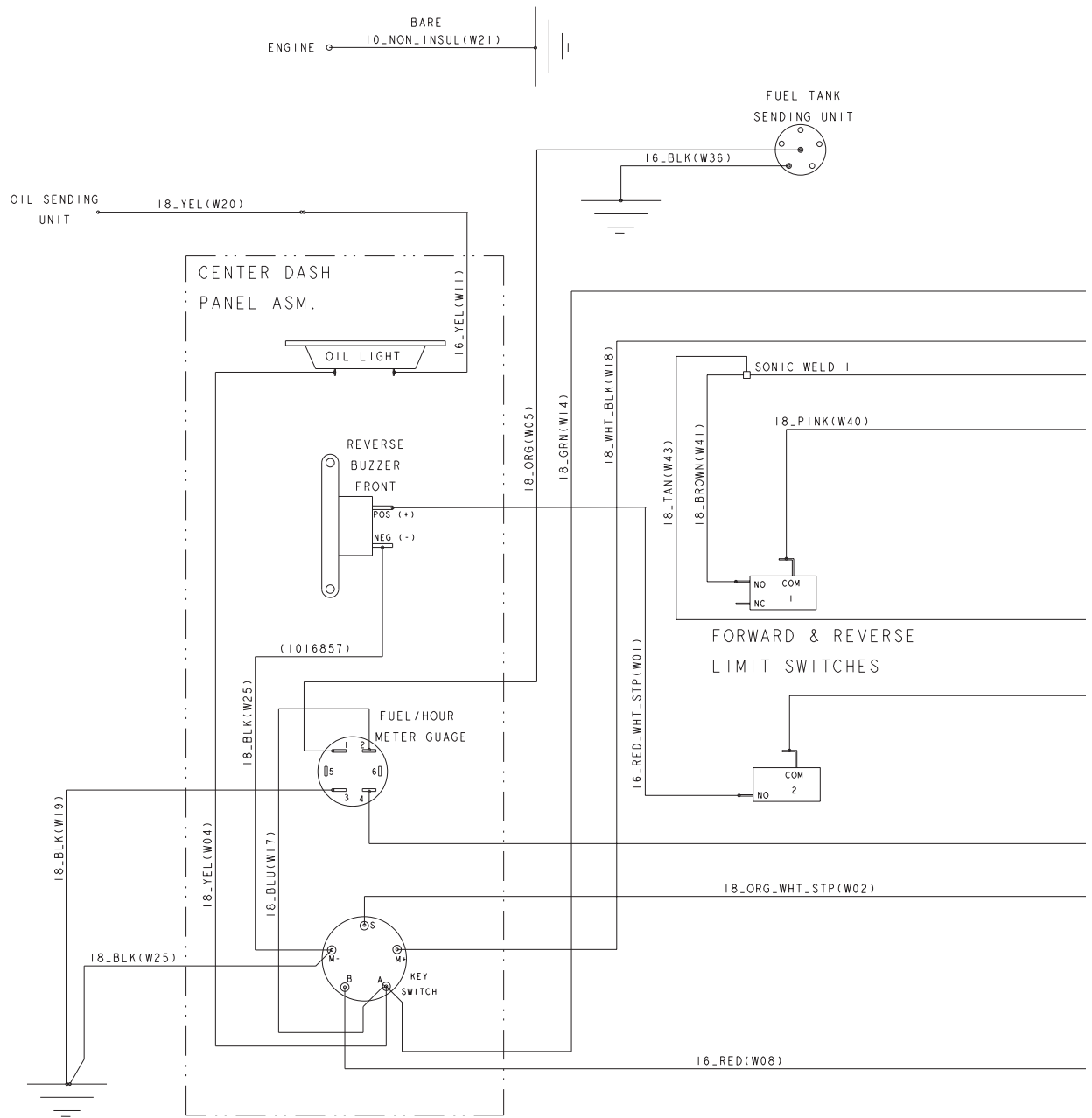
See previous two pages for illustration.

# WIRING – TURF/CARRYALL 2 AND 252

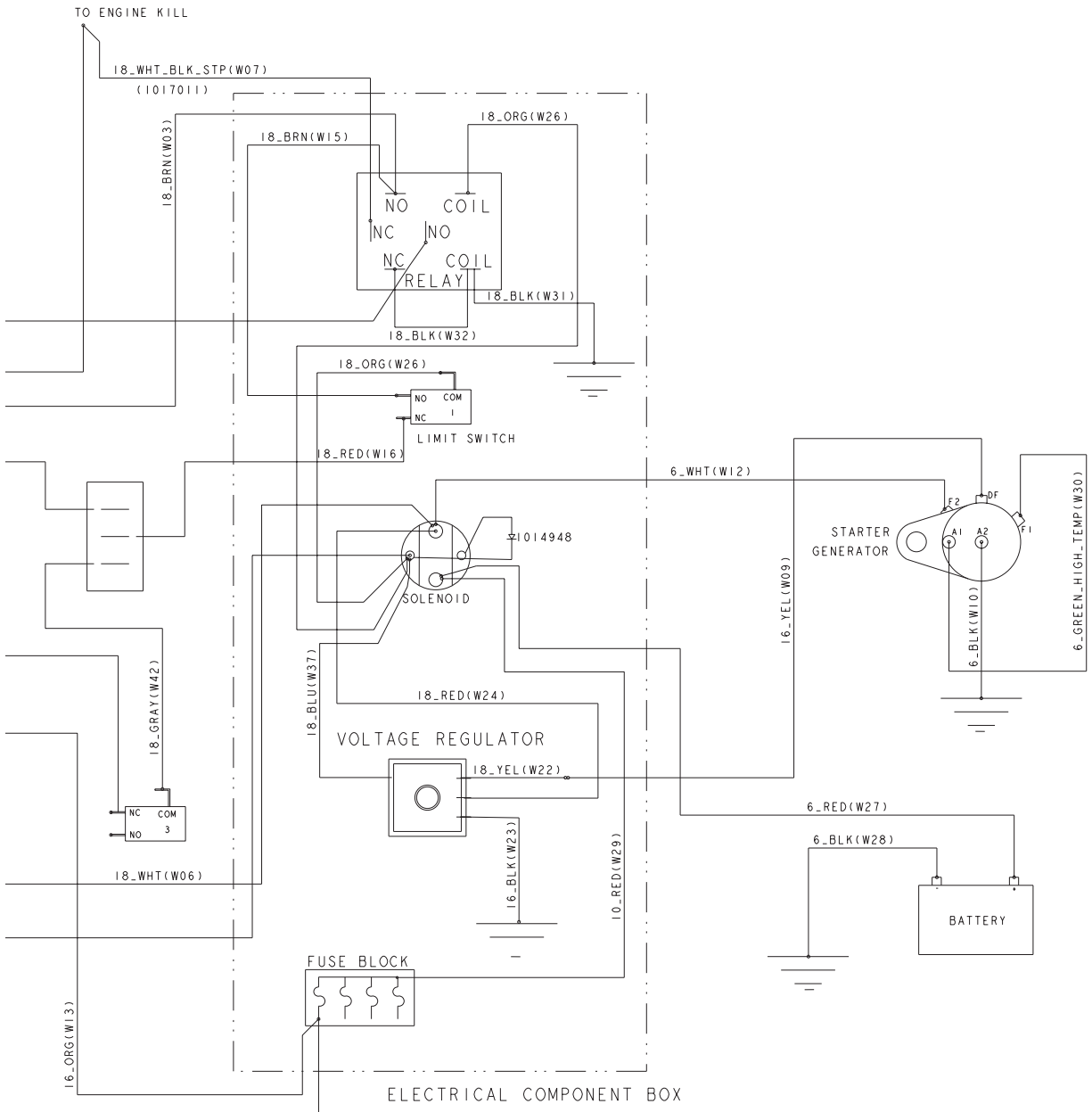
ITEM	PART NO.	DESCRIPTION	QTY
1	103197101	<div style="display: flex; justify-content: space-between; margin-bottom: 5px;"> <span>1</span> <span>2</span> <span>3</span> <span>4</span> </div> Asm, Wire Harness, Carryall 2, Gas .....	1

6

G



000595-001



000595-001

**6**

**G**

See previous two pages for illustration.

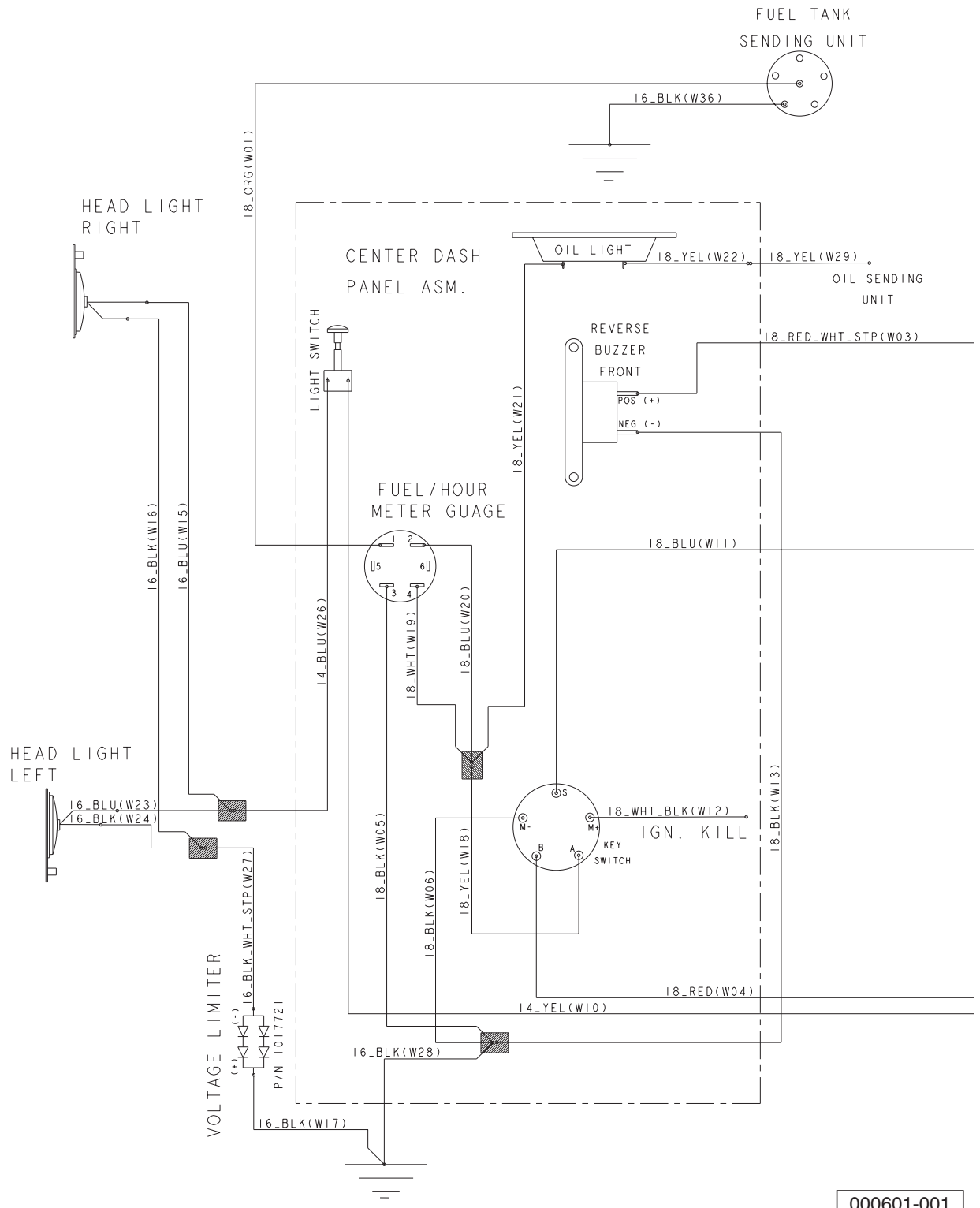


# WIRING – CARRYALL 2 PLUS

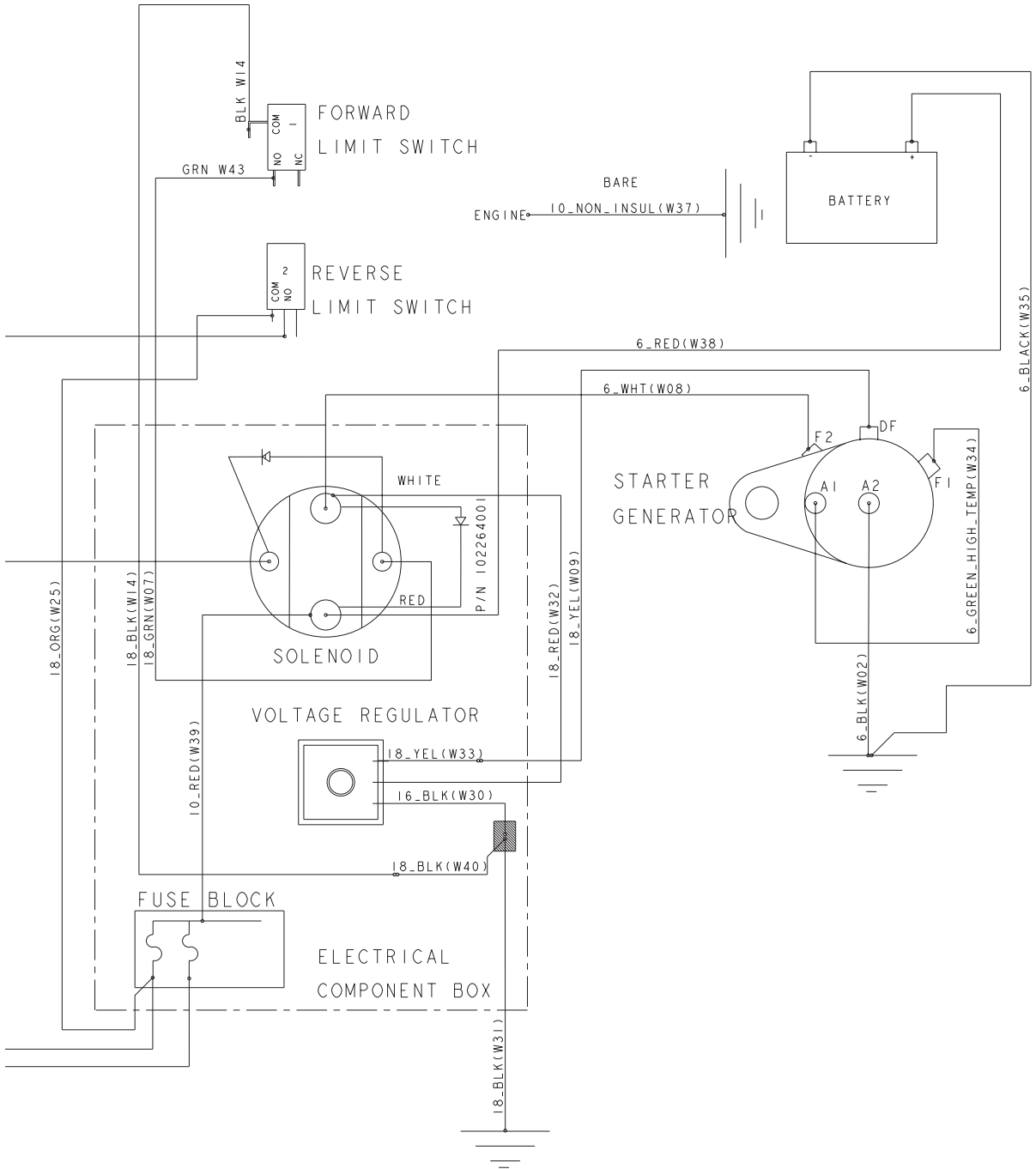
ITEM	PART NO.	DESCRIPTION	QTY
1	103198001	<div style="display: flex; justify-content: space-between; margin-bottom: 5px;"> <span>1</span> <span>2</span> <span>3</span> <span>4</span> </div> Asm, Wire Harness, Carryall 2 Plus .....	1

6

G



000601-001



000601-001

**6**

**G**

See previous two pages for illustration.

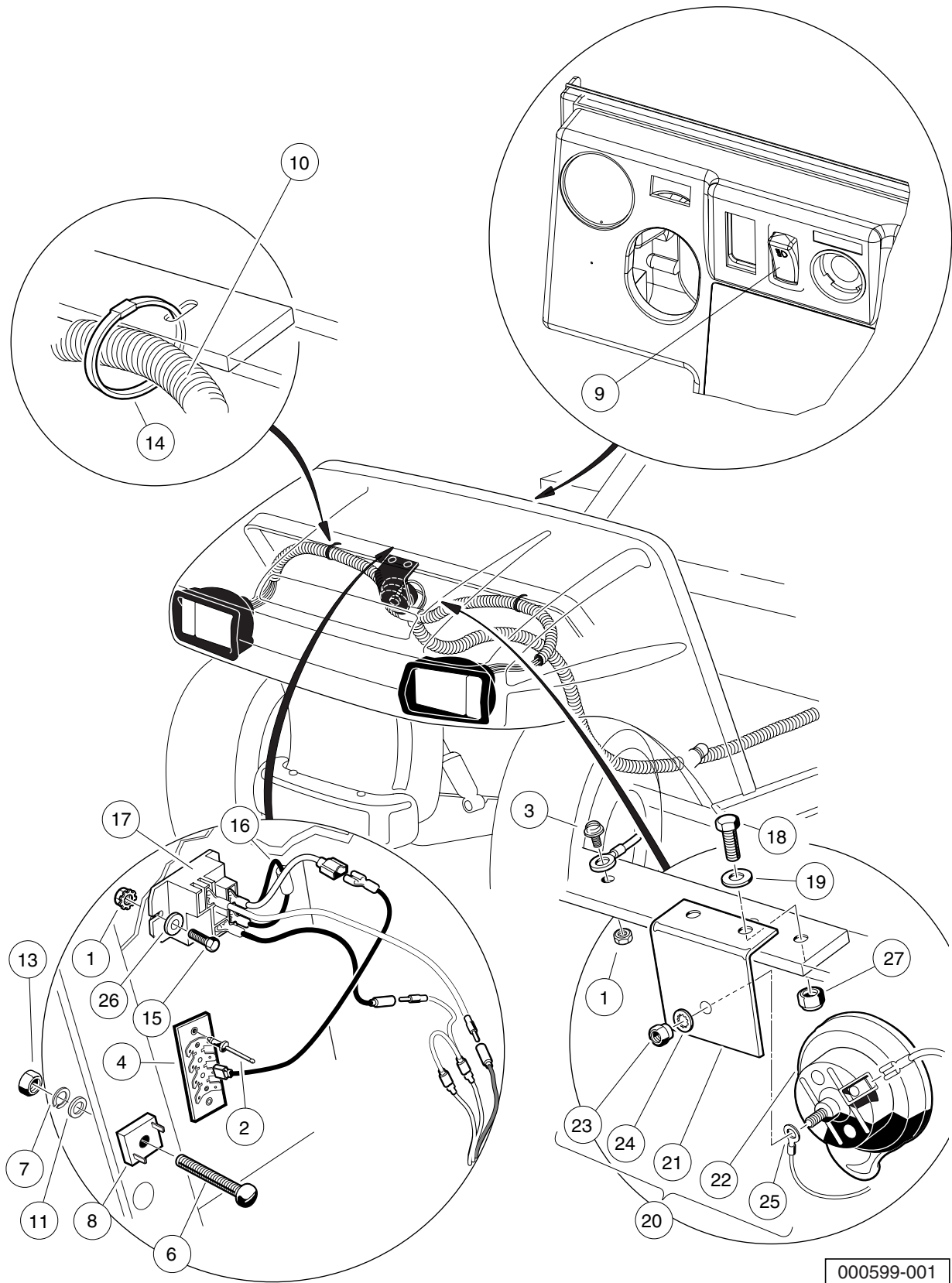
# WIRING – XRT 900

ITEM	PART NO.	DESCRIPTION	QTY
1	103198101	1 2 3 4 Asm, Wire Harness, CA XRT .....	1

6

G

**6**  
**G**



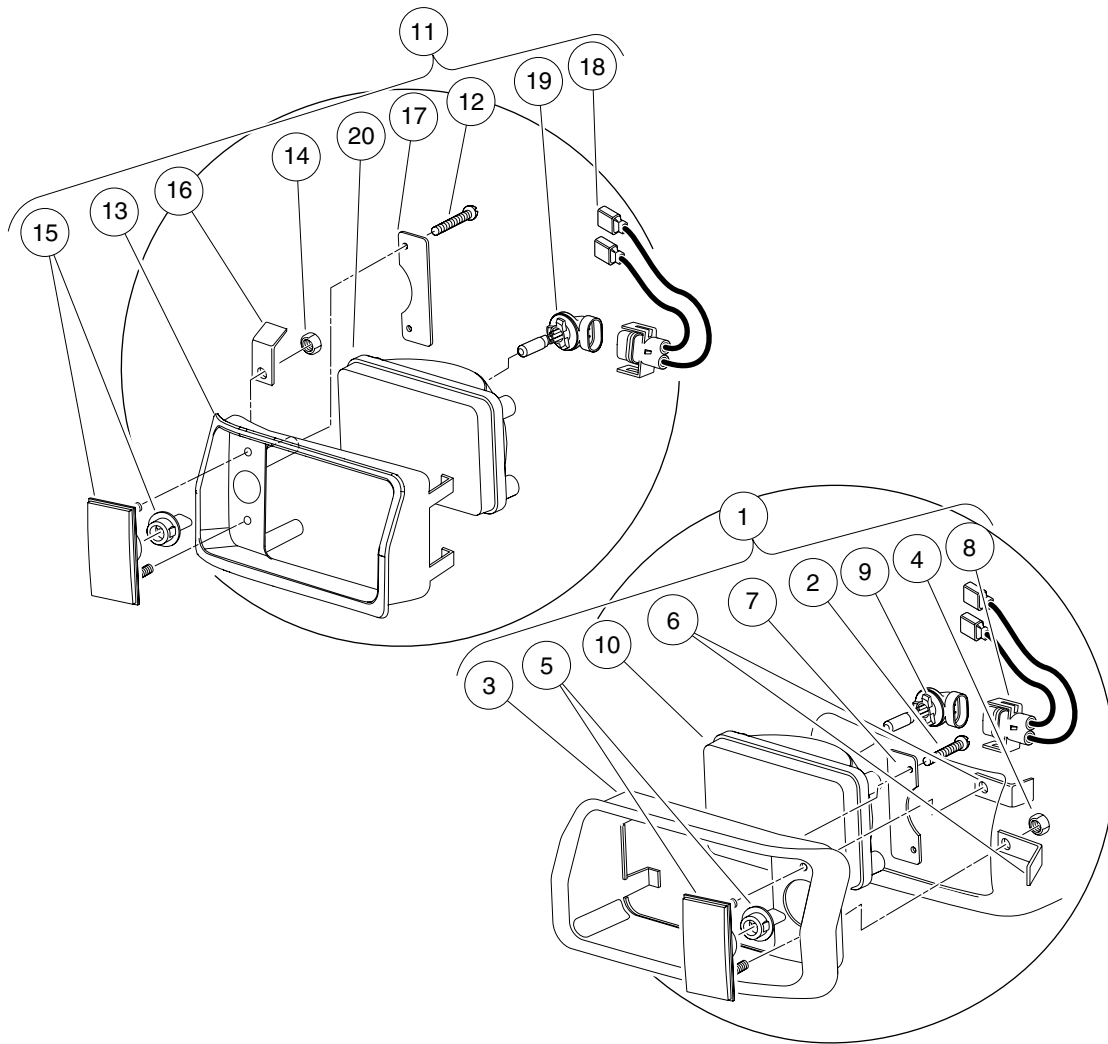
000599-001

# HEADLIGHT AND HORN ELECTRICAL COMPONENTS

ITEM	PART NO.	DESCRIPTION	QTY
		1 2 3 4	
1	1011229	Locknut, #6-32 Whiz .....	3
2	1013357	Rivet, 5/32 Aluminum Pop .....	2
3	1015720	Screw, #6-32 X 1/2 Hex Washer-Head .....	1
4	1016356	Terminal Block with Insulator .....	1
5	N/A	Headlight Instl-gas Golf (includes items 6 through 14) .....	1
6	1010909	Screw, #10-32 X 1.25 Rd Hd Mch .....	1
7	1016	Washer, #10 Split Lock .....	1
8	1017721	Limit, Voltage .....	1
9	102869401	Switch, Rocker, Light .....	1
10	103255601	Wire Harness, Hd Lght, Ca, Gas .....	1
11	183	Washer, #10 Type A Flat .....	1
12	7473	Locknut, 5/16-18 Nylon Insert .....	1
13	7893	Nut, #10-32 Hex .....	1
14	8990	Tie Wrap, 8" Nylon .....	12
15	1017853	Screw, #6-32 X 0.75 Hex-Head Machine .....	2
16	101914401	Assembly, Voltage Suppressor .....	1
17	102199001	Relay, 12-Volt .....	1
18	304	Screw, 1/4-20 X 1.0 Hex-Head Cap .....	2
19	332	Washer, 1/4 Type A Narrow Flat .....	2
20	4029	Horn (includes items 21 through 25) .....	1
21	1011825	Horn Bracket .....	1
22	N/A	Horn, 12-VDC .....	1
23	101955101	Nut, M6 Hex .....	1
24	7820	Washer, 5/16 Internal-Tooth .....	1
25	N/A	5/16 Ring Term. ....	1
26	7591	Washer, #6 Flat .....	2
27	8233	Locknut, 1/4-20 Nylon Insert .....	2

**6**

**G**



000073-001

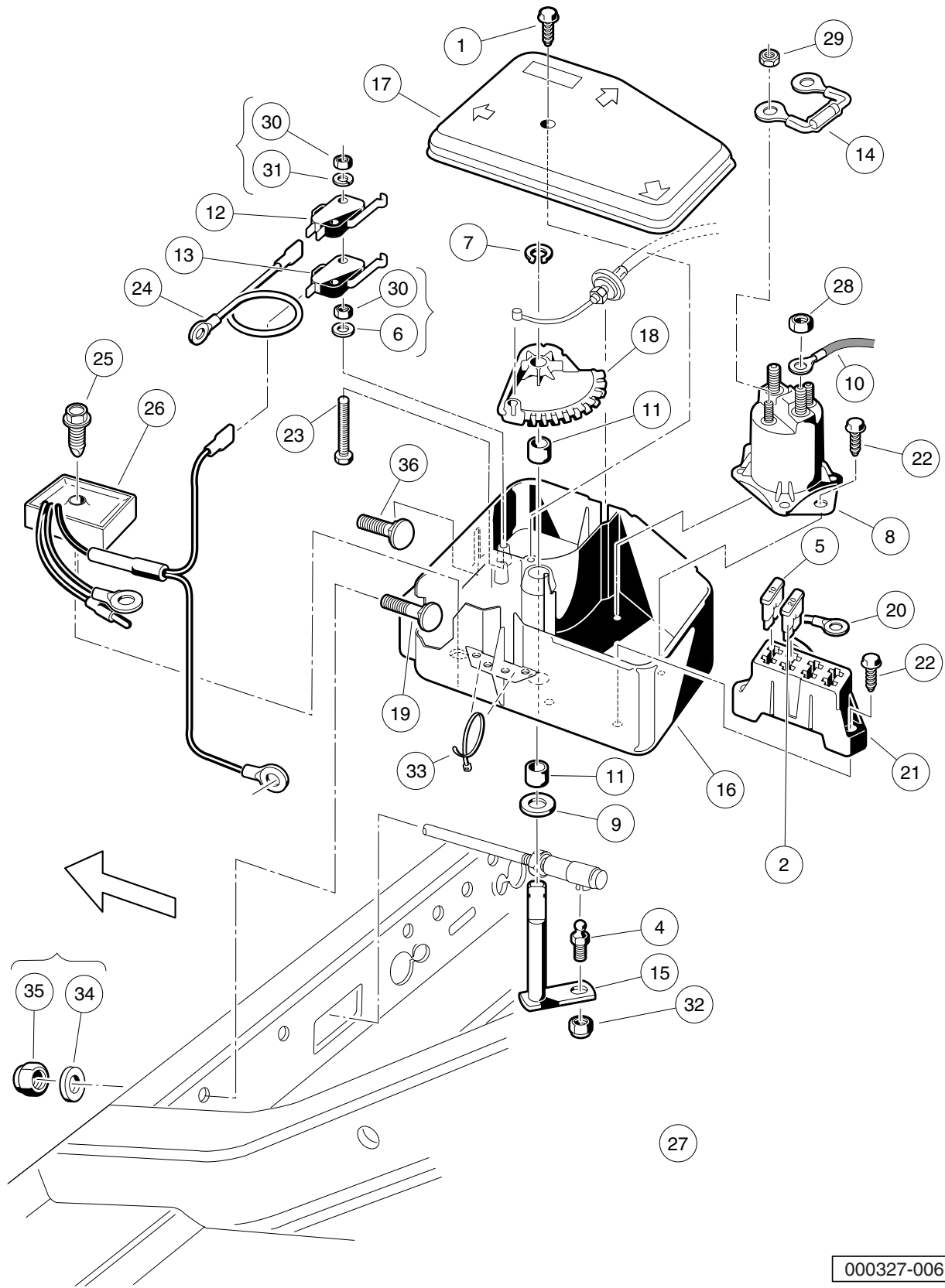


# HEADLIGHTS

ITEM	PART NO.	DESCRIPTION	QTY
		<b>1 2 3 4</b>	
1	101988001	Headlight Assembly, Driver-Side Single Beam (includes items 2 through 10) .....	1
2	1013461	Screw, #10-16 Hex-Head Hi-Lo .....	2
3	1016880	Headlight Bezel, Left .....	1
4	1017	Nut, #10-24 Stainless-Steel Hex Machine .....	2
5	1017062	Turn Signal Lens Assy .....	1
6	1017064	Mounting Bracket .....	2
7	1017065	Retainer, Headlight .....	1
8	101987901	Connector Harness Assembly, Headlight .....	1
9	101988101	Bulb, Headlight .....	1
10	101988201	Lens, Headlight .....	1
11	101988002	Headlight Assy, Passenger-Side Single Beam (includes items 12 through 20) .....	1
12	1013461	Screw, #10-16 Hex-Head Hi-Lo .....	2
13	1016879	Headlight Bezel, Right .....	1
14	1017	Nut, #10-24 Stainless-Steel Hex Machine .....	2
15	1017062	Turn Signal Lens Assy .....	1
16	1017064	Mounting Bracket .....	2
17	1017065	Retainer, Headlight .....	1
18	101987901	Connector Harness Assembly, Headlight .....	1
19	101988101	Bulb, Headlight .....	1
20	101988201	Lens, Headlight .....	1

**6**  
**G**

**6**  
**G**



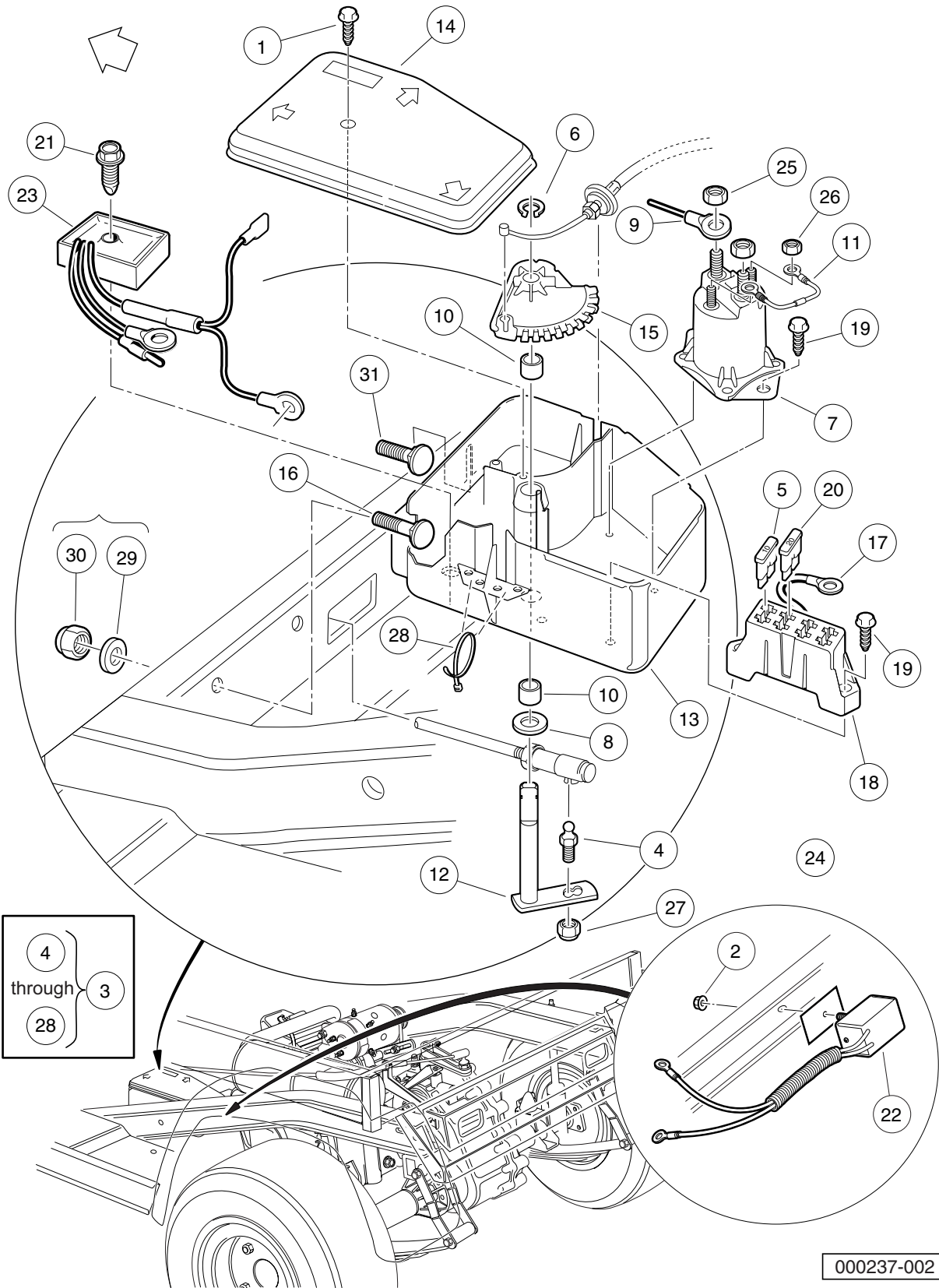
000327-006

# ELECTRICAL COMPONENT BOX – TURF/CARRYALL 2, AND 252

ITEM	PART NO.	DESCRIPTION	QTY
		1 2 3 4	
1	1015752	Screw, #12-16 X 0.625 Hi-Lo .....	1
2	1016423	Fuse, 20-Amp .....	1
3	N/A	Asm, Electrical Component Box (includes items 4 through 33) .....	1
4	1010954	Stud, 1/4-28 X 0.560 Ball .....	1
5	1012295	Fuse, 10-Amp .....	1
6	1012431	Washer, #4 Flat .....	2
7	1013589	Ring, 0.338" Internal Retaining .....	1
8	1013609	Solenoid, 12-Volt .....	1
9	1014065	Washer, 0.38" ID Delrin Flat .....	1
10	1014119	Wire Assembly #6 Red .....	1
11	1014145	Bushing, Secondary Weight, Split .....	2
12	1014807	Switch, Limit .....	1
13	1014808	Switch, Limit .....	1
14	1014948	Diode .....	1
15	1015345	Bell Crank and Shaft Assembly .....	1
16	1015371	Box, Electrical Component .....	1
17	1015372	Cover, Electric Box .....	1
18	1015373	Cam, Electric Box .....	1
19	1015405	Bolt, Carriage, 5/16-18 X 2.0 .....	1
20	1015737	Wire Assy, #10 Red .....	1
21	1015741	Fuse Block .....	1
22	1015752	Screw, #12-16 X 0.625 Hi-Lo .....	4
23	1015878	Screw, #4-40 Hex Head Machine .....	2
24	N/A	Wire Assy, #16 Orange .....	1
25	101856102	Screw, 1/4-15 X 1.50 Hi-lo Hex .....	1
26	102711201	Voltage Regulator .....	1
27	103197101	Asm, Wire Harness, Carryall 2, Gas .....	1
28	1242	Nut, 5/16-18 Hex .....	2
29	7893	Nut, #10-32 Hex .....	2
30	8057	Nut, #4-40 Hex Machine .....	4
31	8058	Lockwasher, #4 Helical Split .....	2
32	8717	Locknut, 1/4-28 Nylon Insert .....	1
33	8990	Tie Wrap, 8" Nylon .....	2
34	1241	Washer, 5/16 Type A Flat .....	2
35	7473	Locknut, 5/16-18 Nylon Insert .....	2
36	7818	Bolt, Carriage, 5/16-18 X 1.5 .....	1

**6**

**G**

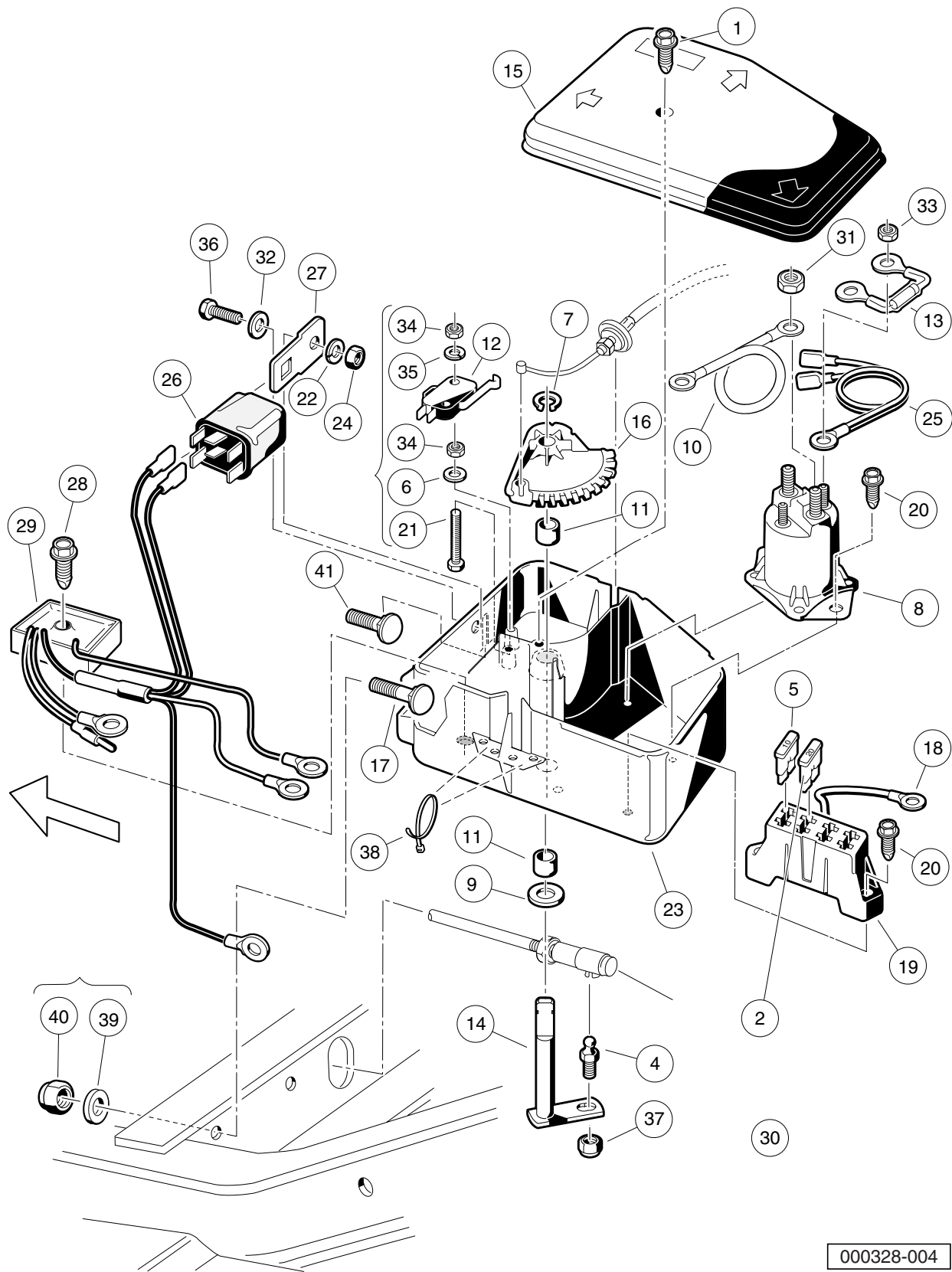


000237-002

# ELECTRICAL COMPONENT BOX – XRT 900

ITEM	PART NO.	DESCRIPTION	QTY
		<b>1 2 3 4</b>	
1	1015752	Screw, #12-16 X 0.625 Hi-Lo .....	1
2	101963401	Locknut, 5/16-18 Hex Flange .....	1
3	N/A	Asm, Electrical Component Box (includes items 4 through 28) .....	1
4	1010954	Stud, 1/4-28 X 0.560 Ball .....	1
5	1012295	Fuse, 10-Amp .....	1
6	1013589	Ring, 0.338" Internal Retaining .....	1
7	1013609	Solenoid, 12-Volt .....	1
8	1014065	Washer, 0.38" ID Delrin Flat .....	1
9	1014119	Wire Assembly #6 Red .....	1
10	1014145	Bushing, Secondary Weight, Split .....	2
11	1014948	Diode .....	1
12	1015345	Bell Crank and Shaft Assembly .....	1
13	1015371	Box, Electrical Component .....	1
14	1015372	Cover, Electric Box .....	1
15	1015373	Cam, Electric Box .....	1
16	1015405	Bolt, Carriage, 5/16-18 X 2.0 .....	1
17	1015737	Wire Assy, #10 Red .....	1
18	1015741	Fuse Block .....	1
19	1015752	Screw, #12-16 X 0.625 Hi-Lo .....	4
20	1016423	Fuse, 20-Amp .....	1
21	101856102	Screw, 1/4-15 X 1.50 Hi-lo Hex .....	1
22	102264001	Diode Assembly .....	1
23	102711201	Voltage Regulator .....	1
24	103198101	Asm, Wire Harness, CA XRT .....	1
25	1242	Nut, 5/16-18 Hex .....	2
26	7893	Nut, #10-32 Hex .....	2
27	8717	Locknut, 1/4-28 Nylon Insert .....	1
28	8990	Tie Wrap, 8" Nylon .....	2
29	1241	Washer, 5/16 Type A Flat .....	2
30	7473	Locknut, 5/16-18 Nylon Insert .....	2
31	7818	Bolt, Carriage, 5/16-18 X 1.5 .....	1

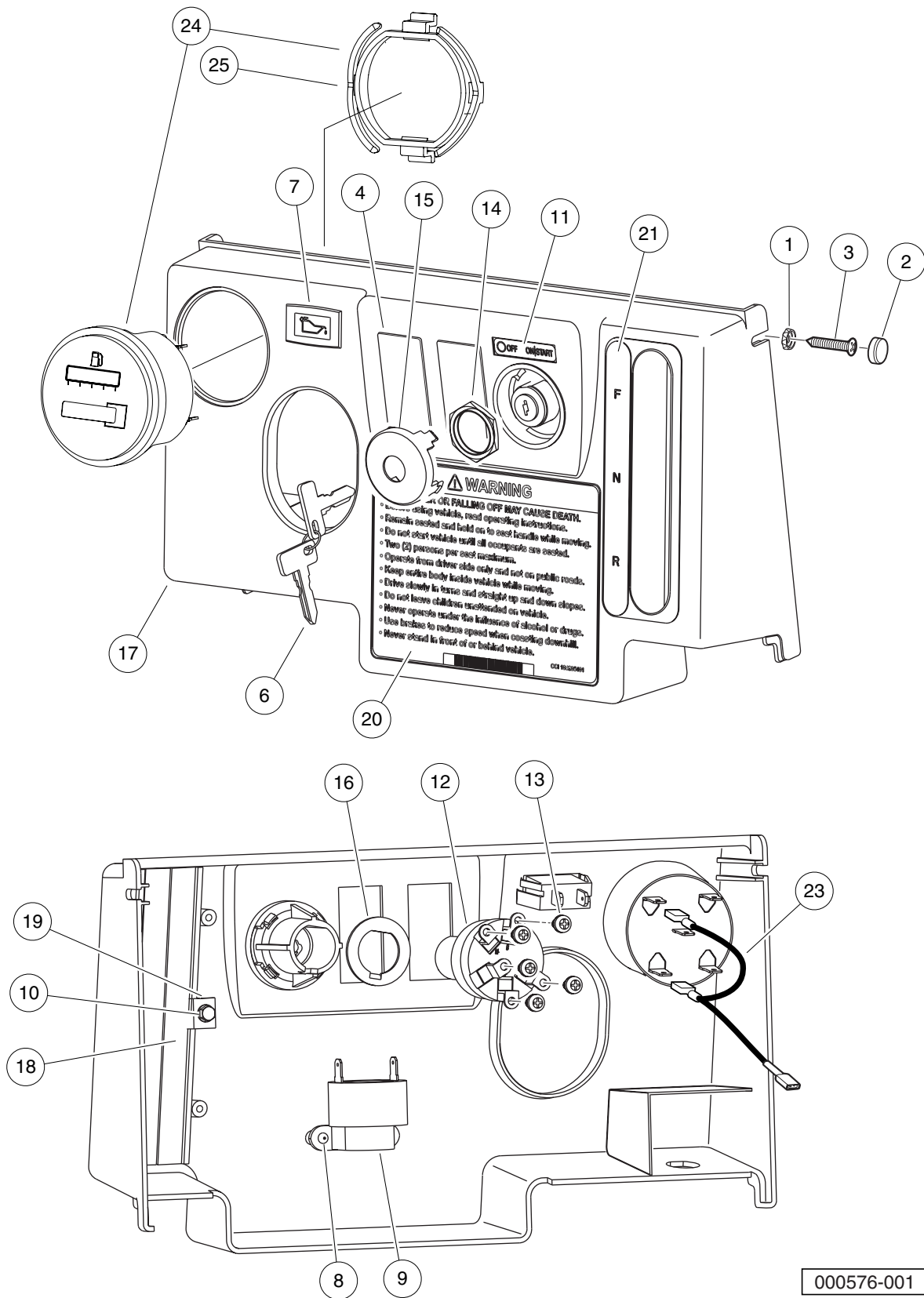
**6**  
**G**



# ELECTRICAL COMPONENT BOX – CARRYALL 2 PLUS

ITEM	PART NO.	DESCRIPTION	QTY
		1 2 3 4	
1	1015752	Screw, #12-16 X 0.625 Hi-Lo .....	1
2	1016423	Fuse, 20-Amp .....	1
3	N/A	Asm, Electrical Component Box (includes items 4 through 38) .....	1
4	1010954	Stud, 1/4-28 X 0.560 Ball .....	1
5	1012295	Fuse, 10-Amp .....	1
6	1012431	Washer, #4 Flat .....	2
7	1013589	Ring, 0.338" Internal Retaining .....	1
8	1013609	Solenoid, 12-Volt .....	1
9	1014065	Washer, 0.38" ID Delrin Flat .....	1
10	1014119	Wire Assembly #6 Red .....	1
11	1014145	Bushing, Secondary Weight, Split .....	2
12	1014807	Switch, Limit .....	1
13	1014948	Diode .....	1
14	1015345	Bell Crank and Shaft Assembly .....	1
15	1015372	Cover, Electric Box .....	1
16	1015373	Cam, Electric Box .....	1
17	1015405	Bolt, Carriage, 5/16-18 X 2.0 .....	1
18	1015737	Wire Assy, #10 Red .....	1
19	1015741	Fuse Block .....	1
20	1015752	Screw, #12-16 X 0.625 Hi-Lo .....	4
21	1015878	Screw, #4-40 Hex Head Machine .....	2
22	1016	Washer, #10 Split Lock .....	1
23	1016997	Electrical Component Box .....	1
24	1017	Nut, #10-24 Stainless-Steel Hex Machine .....	1
25	N/A	Wire Assembly Orange #18 .....	1
26	1017239	Relay .....	1
27	1017243	Mounting Bracket, Relay .....	1
28	101856102	Screw, 1/4-15 X 1.50 Hi-lo Hex .....	1
29	102803401	Asm, Voltage Regulator Key Sta .....	1
30	103198001	Asm, Wire Harness, Carryall 2 Plus .....	1
31	1242	Nut, 5/16-18 Hex .....	2
32	183	Washer, #10 Type A Flat .....	1
33	7893	Nut, #10-32 Hex .....	2
34	8057	Nut, #4-40 Hex Machine .....	4
35	8058	Lockwasher, #4 Helical Split .....	2
36	8450	Screw, #10-24 X 0.50 Hex-Head .....	1
37	8717	Locknut, 1/4-28 Nylon Insert .....	1
38	8990	Tie Wrap, 8" Nylon .....	3
39	1241	Washer, 5/16 Type A Flat .....	2
40	7473	Locknut, 5/16-18 Nylon Insert .....	2
41	7818	Bolt, Carriage, 5/16-18 X 1.5 .....	1

**6**  
**G**



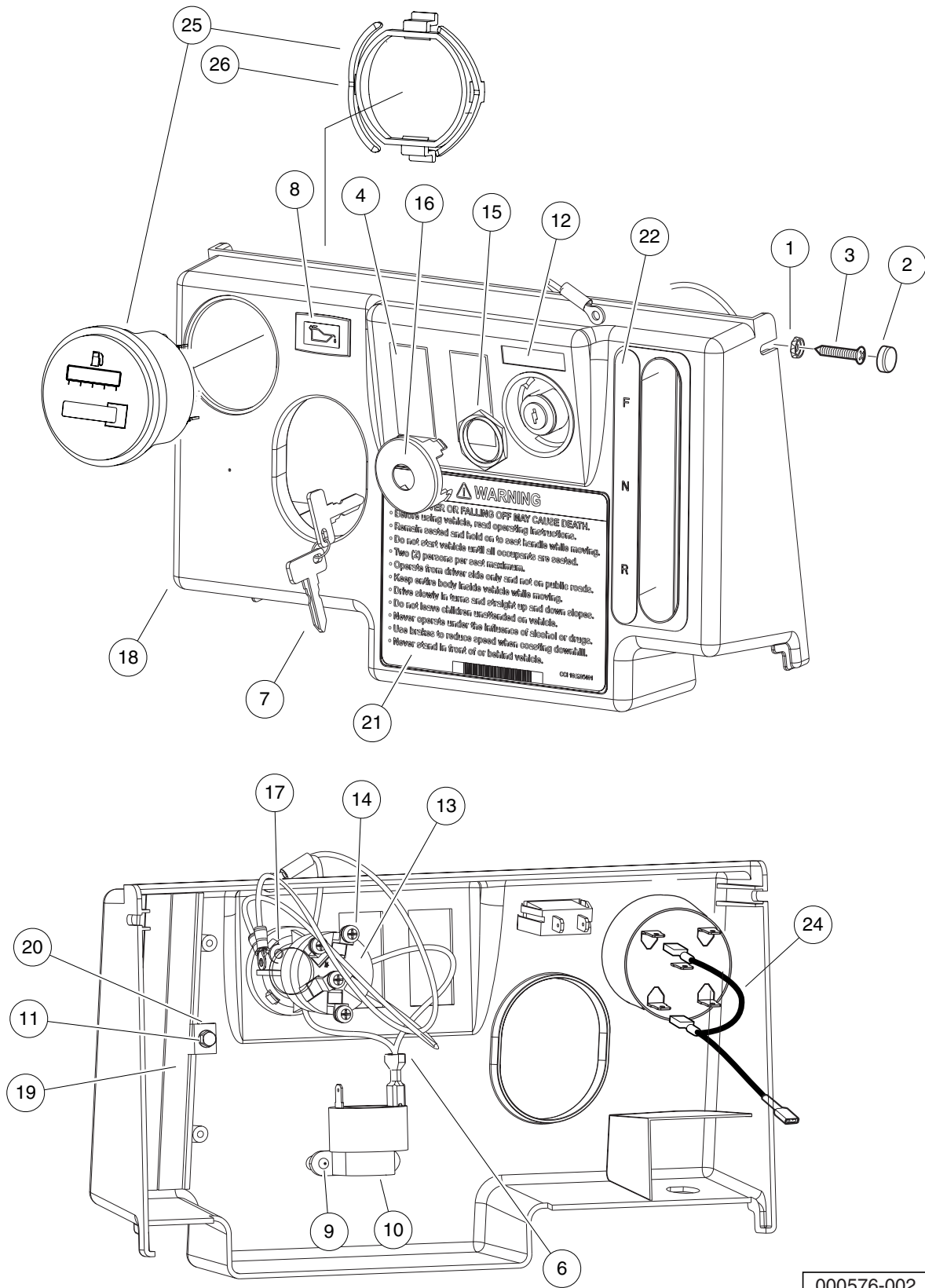
000576-001



# INSTRUMENT PANEL AND ELECTRICAL COMPONENTS – XRT 900 AND CARRYALL 2 PLUS

ITEM	PART NO.	DESCRIPTION	QTY
		<b>1 2 3 4</b>	
1	N/A	Washer, #10 Pan-Head Screw .....	2
2	1013494	Cover, Screw Head .....	2
3	1015528	Screw, #10 x 1-1/4 Phillips Head .....	2
4	103180101	Cover, Hole, Switch, Rocker .....	2
5	N/A	Asm, Dash, Gas, Key Start (Instrument Panel) (includes items 6 through 22) .....	1
6	1012505	Keys (set of 2) .....	1
7	1016630	Light, Oil .....	1
8	1016849	Screw, #4-24 X 0.33 Pan-Head Machine .....	2
9	1016851	Buzzer, Reverse (9-48 VDC) .....	1
10	101804301	Screw, #8 X 0.500, Hex-Head Hi-Lo .....	2
11	101825102	Decal, Off/On/Start .....	1
12	101826401	Key Switch, 12-Volt, Off/On/Start .....	1
13	101830601	Screw and Washer Assembly .....	5
14	101830701	Nut, Key Switch .....	1
15	101834502	Cap, Black Key Switch .....	1
16	101851101	Washer, Key Switch .....	1
17	102977001	Panel, Dash, Center, Gas (Instrument Panel) .....	1
18	103199001	Brush, Closeout, FNR .....	2
19	103199101	Washer, Retaining, Brush, FNR .....	2
20	103205401	Decal, Warning, Rollover, Utl .....	1
21	103210201	Decal, Forward/Reverse, Gas .....	1
22	103390801	Kit, F-h Replmnt Utl Pre2007 (includes items 23 through 26) .....	1
23	103348501	Asm Wire Meter F-h Jumper .....	1
24	103348601	Gauge, Fuel-hour,sep Gnd,utl (includes item 25) .....	1
25	103348201	Clip, Meter, Round .....	1
26	103391001	Instr, F-h Replmnt Pre2007 .....	1

**6**  
**G**



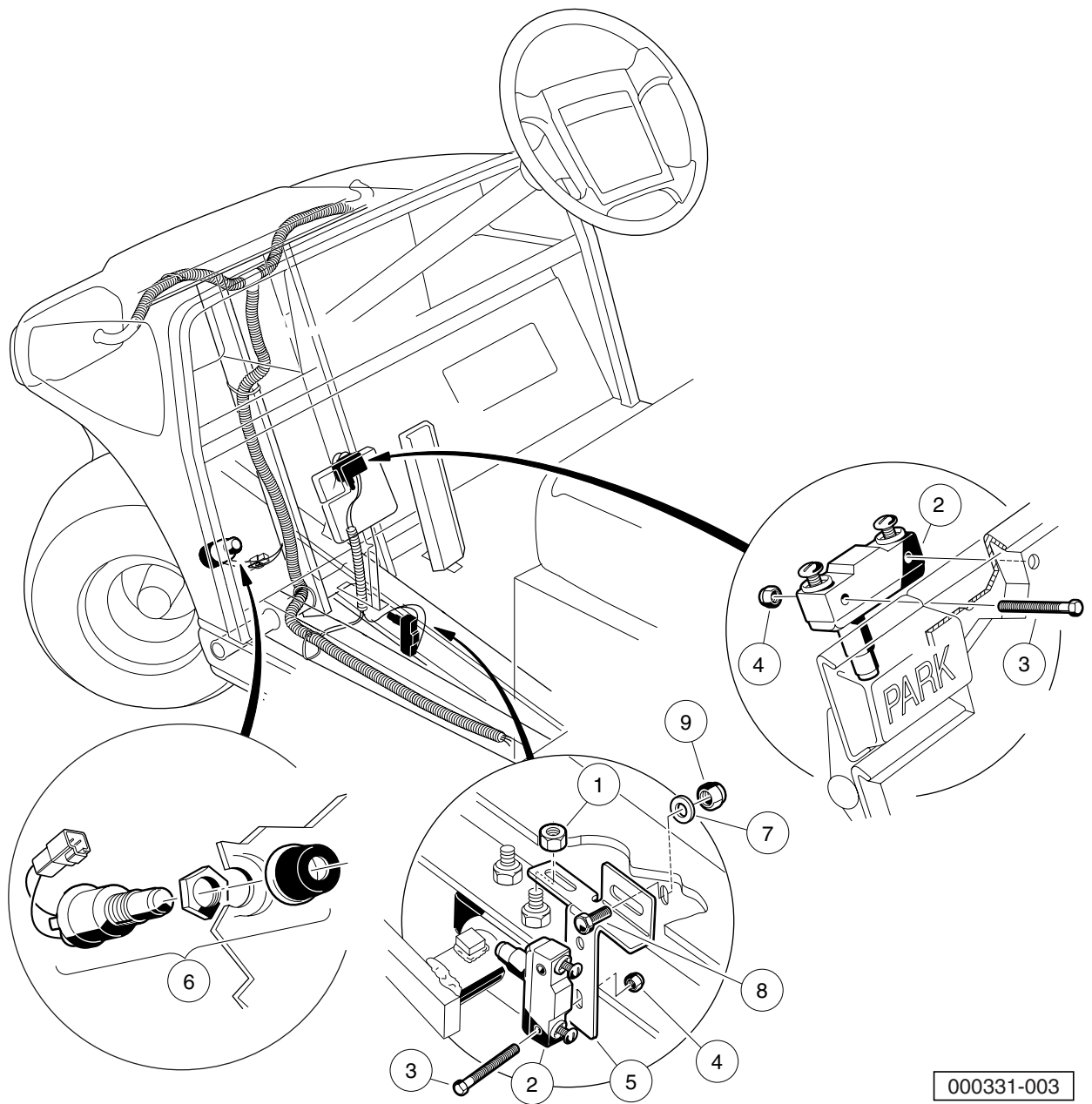
000576-002

# INSTRUMENT PANEL AND ELECTRICAL COMPONENTS – TURF/ CARRYALL 2 AND 252

ITEM	PART NO.	DESCRIPTION	QTY
		1 2 3 4	
1	N/A	Washer, #10 Pan-Head Screw .....	2
2	1013494	Cover, Screw Head .....	2
3	1015528	Screw, #10 x 1-1/4 Phillips Head .....	2
4	103180101	Cover, Hole, Switch, Rocker .....	2
5	N/A	Asm, Dash, Gas, Pedal-Start (Instrument Panel) (includes items 6 through 23) .....	1
6	N/A	Wire Assy #18 Black .....	1
7	1012505	Keys (set of 2) .....	1
8	1016630	Light, Oil .....	1
9	1016849	Screw, #4-24 X 0.33 Pan-Head Machine .....	2
10	1016851	Buzzer, Reverse (9-48 VDC) .....	1
11	101804301	Screw, #8 X 0.500, Hex-Head Hi-Lo .....	2
12	101825101	Decal, Off/On .....	1
13	101826301	Key Switch, 12-Volt, Off/On .....	1
14	101830601	Screw and Washer Assembly .....	4
15	101830701	Nut, Key Switch .....	1
16	101834502	Cap, Black Key Switch .....	1
17	101851101	Washer, Key Switch .....	1
18	102977001	Panel, Dash, Center, Gas (Instrument Panel) .....	1
19	103199001	Brush, Closeout, FNR .....	2
20	103199101	Washer, Retaining, Brush, FNR .....	2
21	103205401	Decal, Warning, Rollover, Utl .....	1
22	103210201	Decal, Forward/Reverse, Gas .....	1
23	103390801	Kit, F-h Replmnt Utl Pre2007 (includes items 24 through 27) .....	1
24	103348501	Asm Wire Meter F-h Jumper .....	1
25	103348601	Gauge, Fuel-hour,sep Gnd,utl (includes item 26) .....	1
26	103348201	Clip, Meter, Round .....	1
27	103391001	Instr, F-h Replmnt Pre2007 .....	1

6

G



000331-003

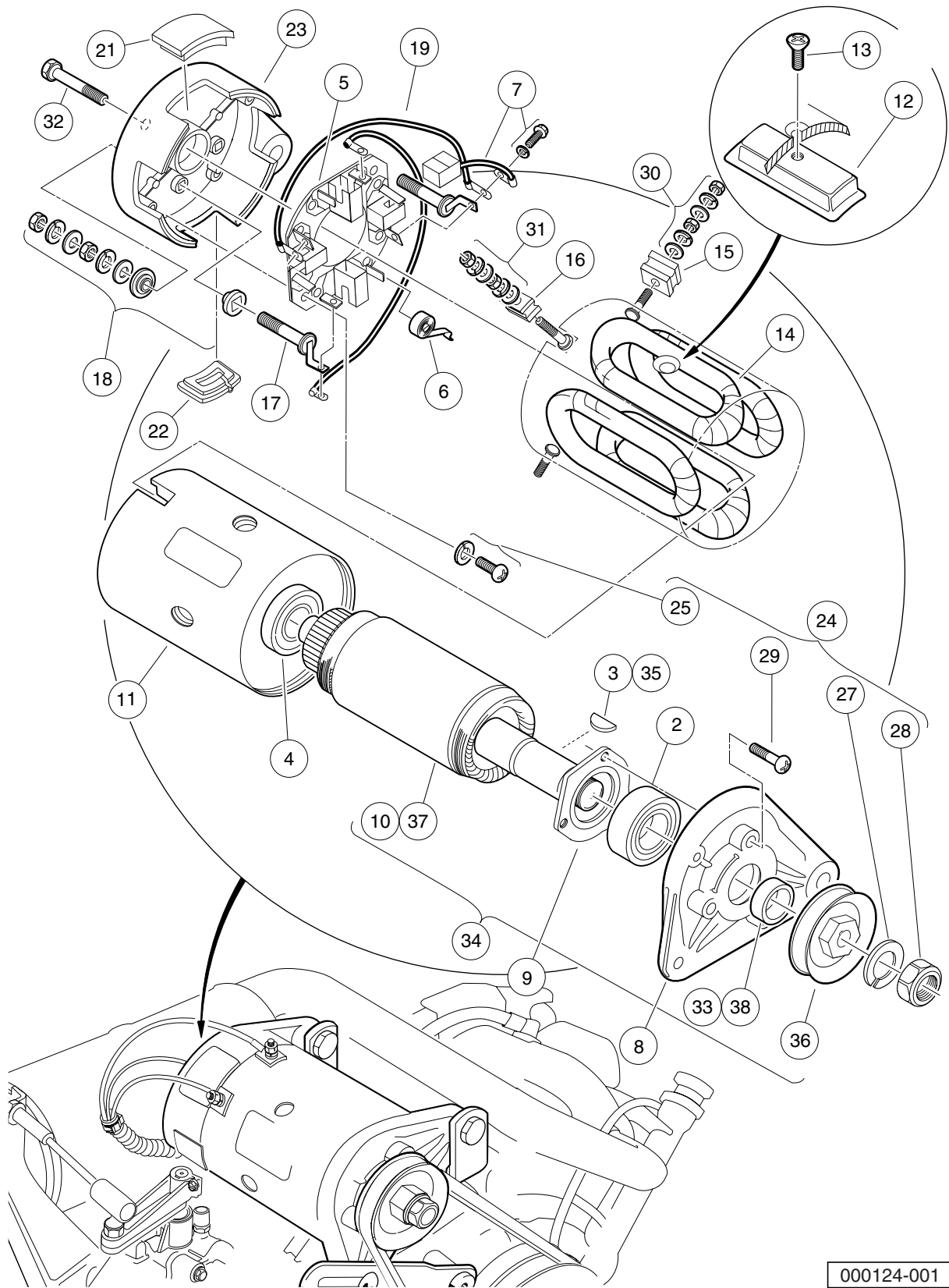
# HORN AND BRAKE SWITCHES

ITEM	PART NO.	DESCRIPTION	QTY
		1 2 3 4	
1	1011280	Locknut, 5/16-18 .....	1
2	1011439	Switch, Limit .....	2
3	1011557	Screw, #6-32 X 1.00 Hex-Head Machine .....	4
4	101932201	Locknut, #6-32 Nylon .....	4
5	101957101	Bracket, Brake Light Switch .....	1
6	101969701	Horn Button and Wire Assembly .....	1
7	1241	Washer, 5/16 Type A Flat .....	1
8	7173	Screw, 5/16-18 X 0.75 Hex-Head Cap .....	1
9	7473	Locknut, 5/16-18 Nylon Insert .....	1

6

G

**6**  
**G**



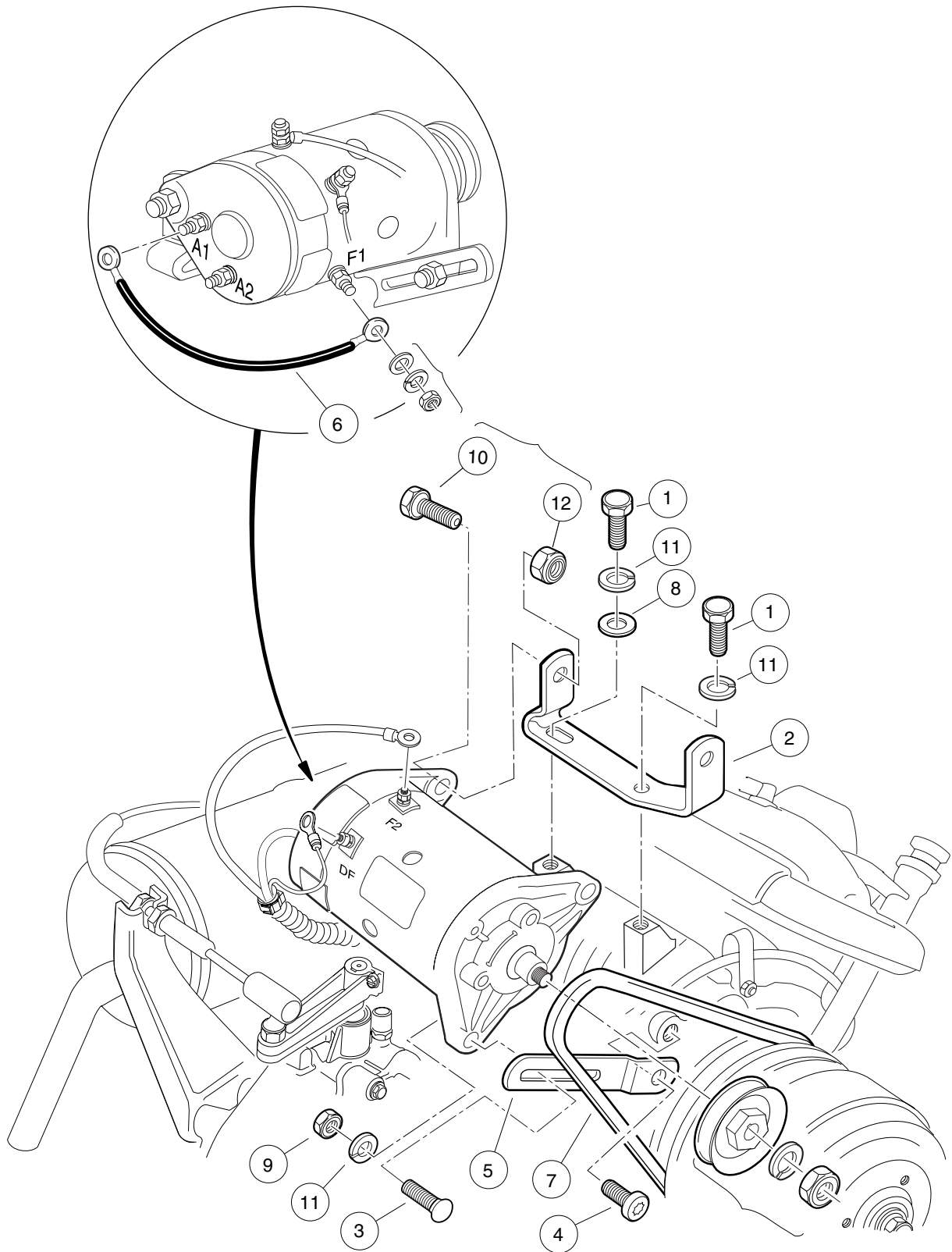
000124-001

# STARTER/GENERATOR ASSEMBLY

ITEM	PART NO.	DESCRIPTION	QTY
		1 2 3 4	
1	101833701	Starter/Generator (cw) (includes items 2 through 33) .....	1
2	1013001	Bearing, Output Shaft Ball .....	1
3	1013003	Key, Starter/Generator .....	1
4	1013005	Bearing, Ball .....	1
5	101301102	Brush Holder Assembly (cw) (includes item 6) .....	1
6	101878101	Brush Spring Set .....	4
7	101869302	Brush and Screw Set (cw) .....	1
8	101874901	Front Bracket .....	1
9	101875001	Retainer .....	1
10	N/A	Armature .....	1
11	101875201	Field Coil Housing .....	1
12	101875301	Pole Set .....	1
13	101875401	Screw Set .....	1
14	101875501	Field Stator Coil Assembly .....	1
15	101875601	F Insulator Set .....	2
16	101875701	DF Insulator .....	1
17	101875802	A Connector (cw) .....	1
18	101876001	Screw and Mold Assembly .....	2
19	101876202	Brush Connector Assembly (cw) .....	2
20	101876301	Cover Set (includes items 21 and 22) .....	1
21	N/A	Brush Inspection Port Cover .....	3
22	N/A	Brush Port Cover w/Drain .....	1
23	101876402	Rear Bracket (cw) .....	1
24	101876501	Nut and Screw Set (includes items 25 through 29) .....	1
25	101896501	Brush Holder Asm Screw .....	2
26	N/A	Washer, M5 Flat .....	1
27	N/A	Washer, M14 Lock .....	1
28	N/A	Nut, Hex, M14 x 2 .....	1
29	N/A	Screw, M5 x 0.8 x 18mm .....	3
30	101877601	Nut and Washer Set .....	2
31	101877701	Nut and Washer Set .....	1
32	101879001	Through Bolt Set .....	2
33	101939901	Spacer .....	1
34	101875102	Armature Asm Conversion Kit (includes items 35 through 38) .....	1
35	1013003	Key, Starter/Generator .....	1
36	1014289	Pulley, Starter/Generator .....	1
37	N/A	Armature .....	1
38	101939901	Spacer .....	1
Note: Item 36 will ONLY fit Model G425419 Starter/Generator.			

**6**  
**G**

**6**  
**G**



000239-001

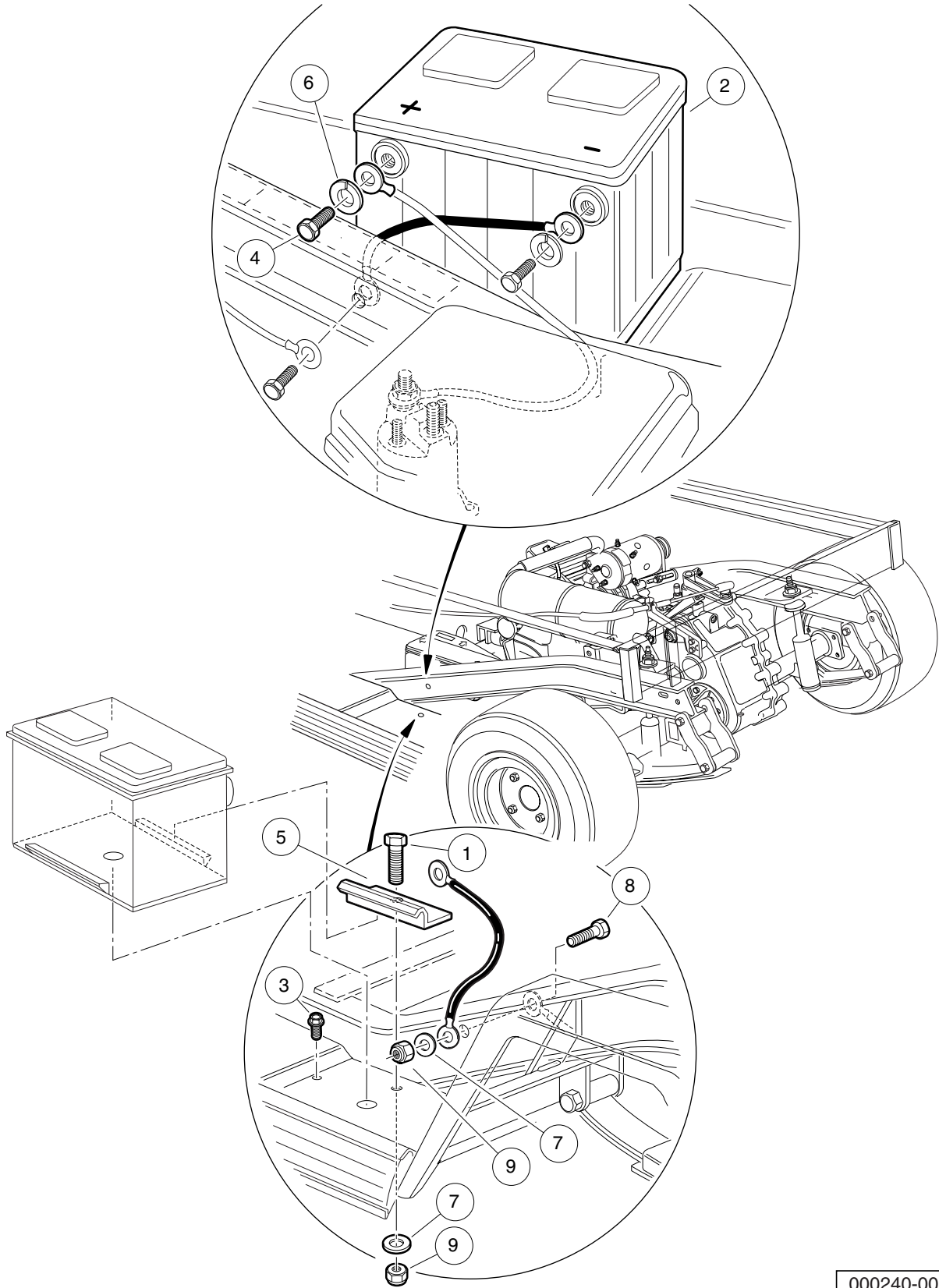


## FE350 STARTER/GENERATOR MOUNTING

ITEM	PART NO.	DESCRIPTION	QTY
		1 2 3 4	
1	1012830	Screw, M8-125 X 22 Hex-Head .....	2
2	101524002	Bracket, Starter/Generator Mounting .....	1
3	1015932	Bolt, Carriage, 5/16-18 .....	1
4	1016074	Screw, M8-1.25 X 18mm Torx .....	1
5	1016883	Bracket, Starter/Generator Adjustment .....	1
6	101837301	Wire Assy, #6 Green .....	1
7	101916701	V-Belt .....	1
8	1241	Washer, 5/16 Type A Flat .....	1
9	1242	Nut, 5/16-18 Hex .....	1
10	705	Screw, Cap-hex Hd 3/8-16x1.25 .....	2
11	7174	Lockwasher, 5/16 Split .....	3
12	8754	Locknut, 3/8-16 Hex .....	2

**6**  
**G**

**6**  
**G**



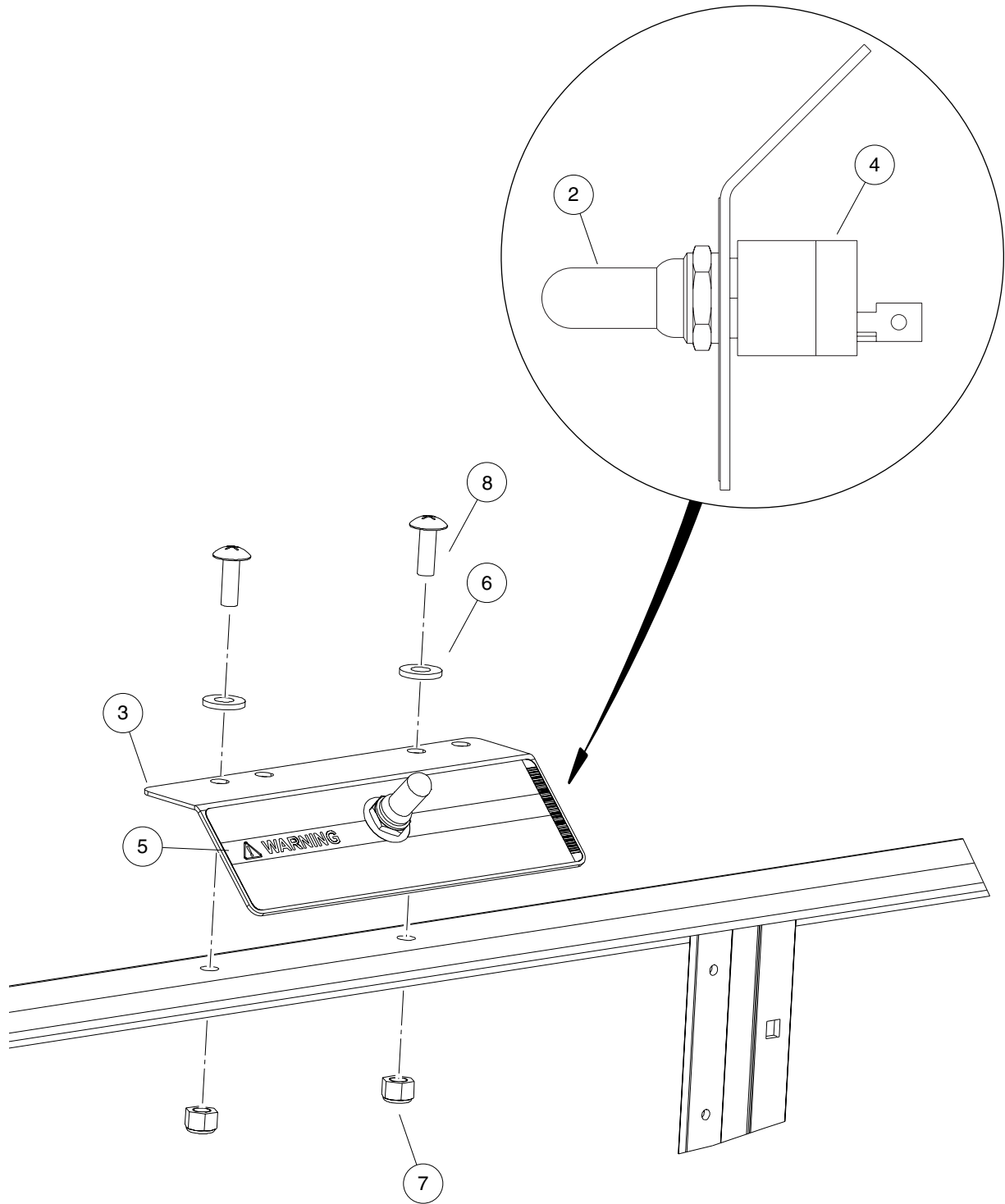
000240-001

# BATTERY

ITEM	PART NO.	DESCRIPTION	QTY
		<b>1 2 3 4</b>	
1	1010934	Screw, 5/16-18 X 1.00 Hex Cap .....	1
2	1012328	Battery, 12-Volt .....	1
3	1014288	Screw, 5/16-18 X 0.75 Thread-Forming .....	1
4	1014375	Screw, 3/8-16 X 0.50 Stainless Steel Hex-Head .....	2
5	101898001	Clamp, Battery .....	1
6	102355301	Lockwasher, 3/8 Stainless Stl .....	2
7	1241	Washer, 5/16 Type A Flat .....	2
8	7173	Screw, 5/16-18 X 0.75 Hex-Head Cap .....	1
9	7473	Locknut, 5/16-18 Nylon Insert .....	2

**6**  
**G**

**6**  
**G**



000755-001

# OPERATION AND MAINTENANCE SWITCH

ITEM	PART NO.	DESCRIPTION	QTY
		1 2 3 4	
1	N/A	Switch, Operation/Maintenance (includes items 2 through 5) .....	1
2	101908401	Boot, Switch .....	1
3	101922501	Bracket, Tow/Run Switch Mounting .....	1
4	103198401	Switch, Toggle, SPDT .....	1
5	103205501	Decal, Run/Service Switch .....	1
6	332	Washer, 1/4 Type A Narrow Flat .....	2
7	8233	Locknut, 1/4-20 Nylon Insert .....	2
8	8248	Screw, 1/4-20 X 0.75 Truss-Head Machine .....	2

**6**

**G**

6

G

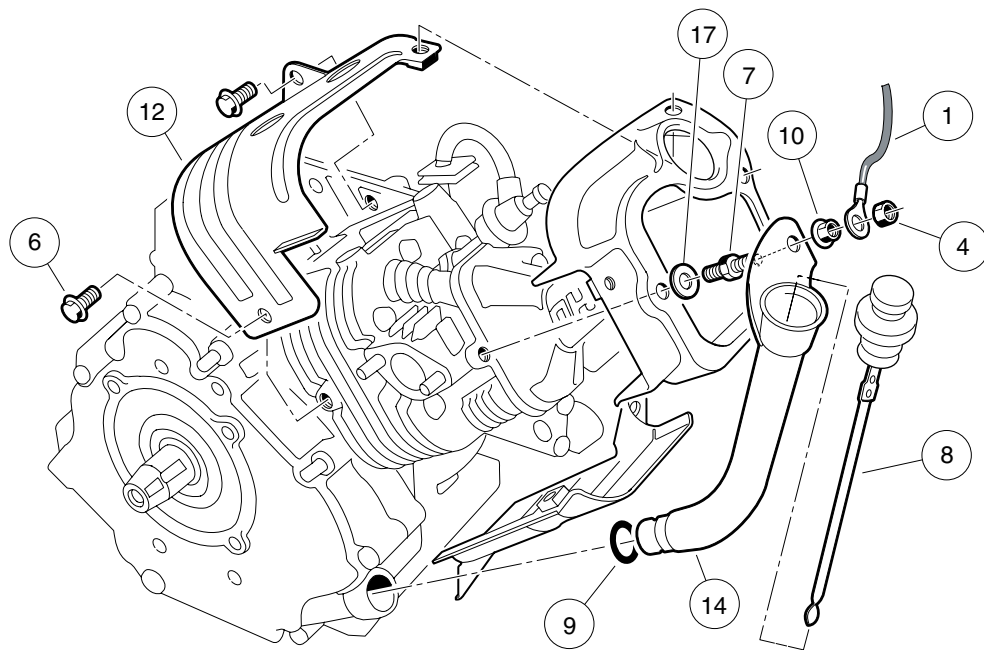
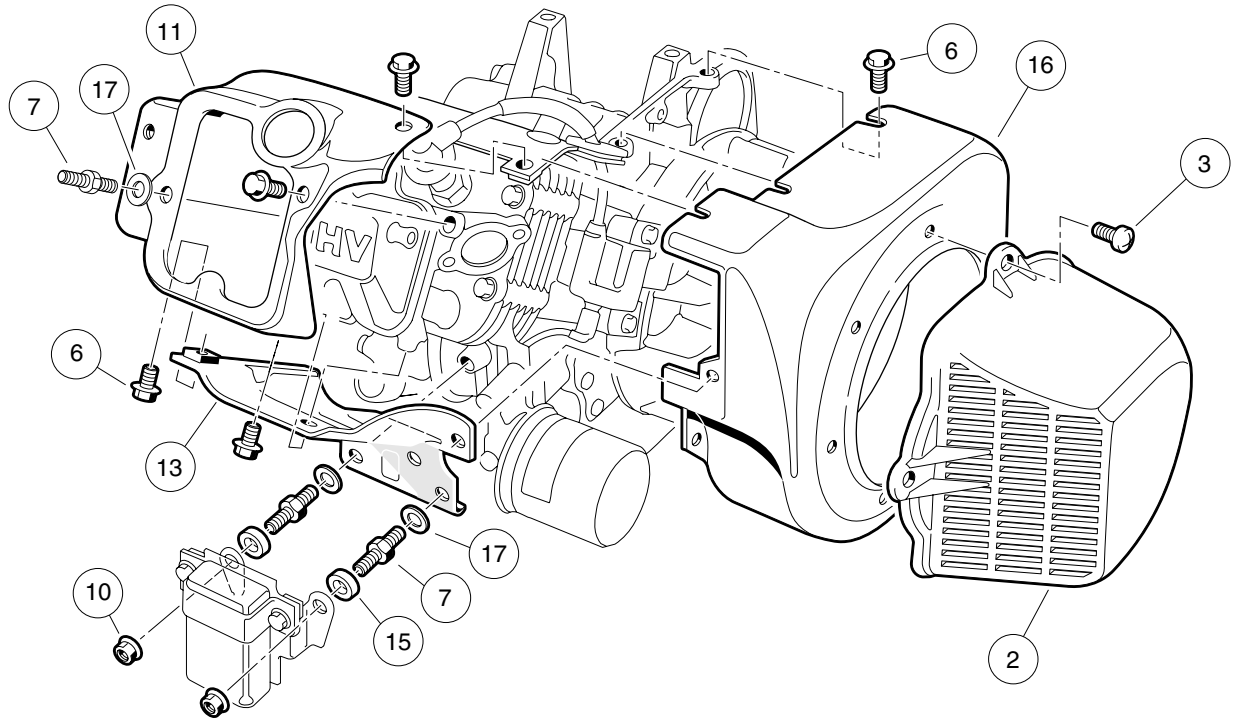
# FE350 ENGINE WITH ACR (CARRYALL 2 PLUS)

---

7

G

**7**  
**G**



000201-001

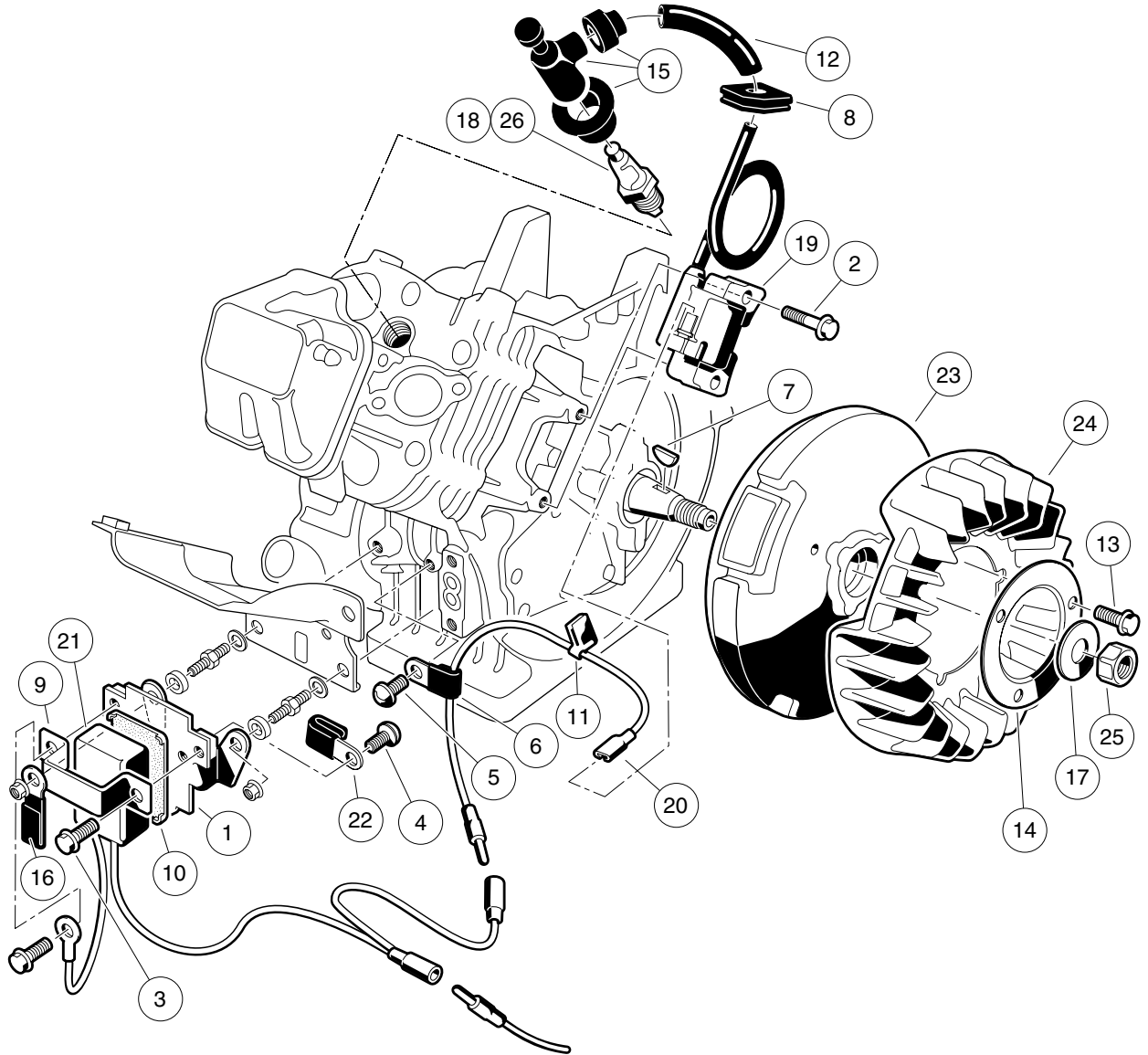


# FE350 ENGINE WITH ACR (AUTOMATIC COMPRESSION RELEASE) – SHROUDS AND BRACKETS

ITEM	PART NO.	DESCRIPTION	QTY
		1 2 3 4	
1	1015332	Wire Assembly, #10, Uninsulated .....	1
2	1015649	Shroud, Fan .....	1
3	1015969	Screw, M6-1.00 X 10mm Pan Hd .....	4
4	101887601	Locknut, M6-1.00 Nylon Insert .....	1
5	101953801	Engine, FE350 (cw) with ACR * (includes items 6 through 17) .....	1
6	1016456	Bolt, Flange Head, M6 x 1 x 12 mm .....	14
7	1016507	Bolt, Two-Ended .....	3
8	1016531	Dipstick .....	1
9	1016539	O-Ring .....	1
10	1016547	Nut .....	3
11	1017474	Shroud, Engine .....	1
12	1017475	Shroud, Engine .....	1
13	1017476	Shroud, Engine .....	1
14	1017486	Tube, Oil Filler .....	1
15	1017500	Spacer 6.50 X 12 X 5.5 .....	2
16	101916101	Housing, FE350 Fan .....	1
17	N/A	Washer, 6mm Flat .....	3
* Note: FE350 engine component listings span several pages.			

7

G

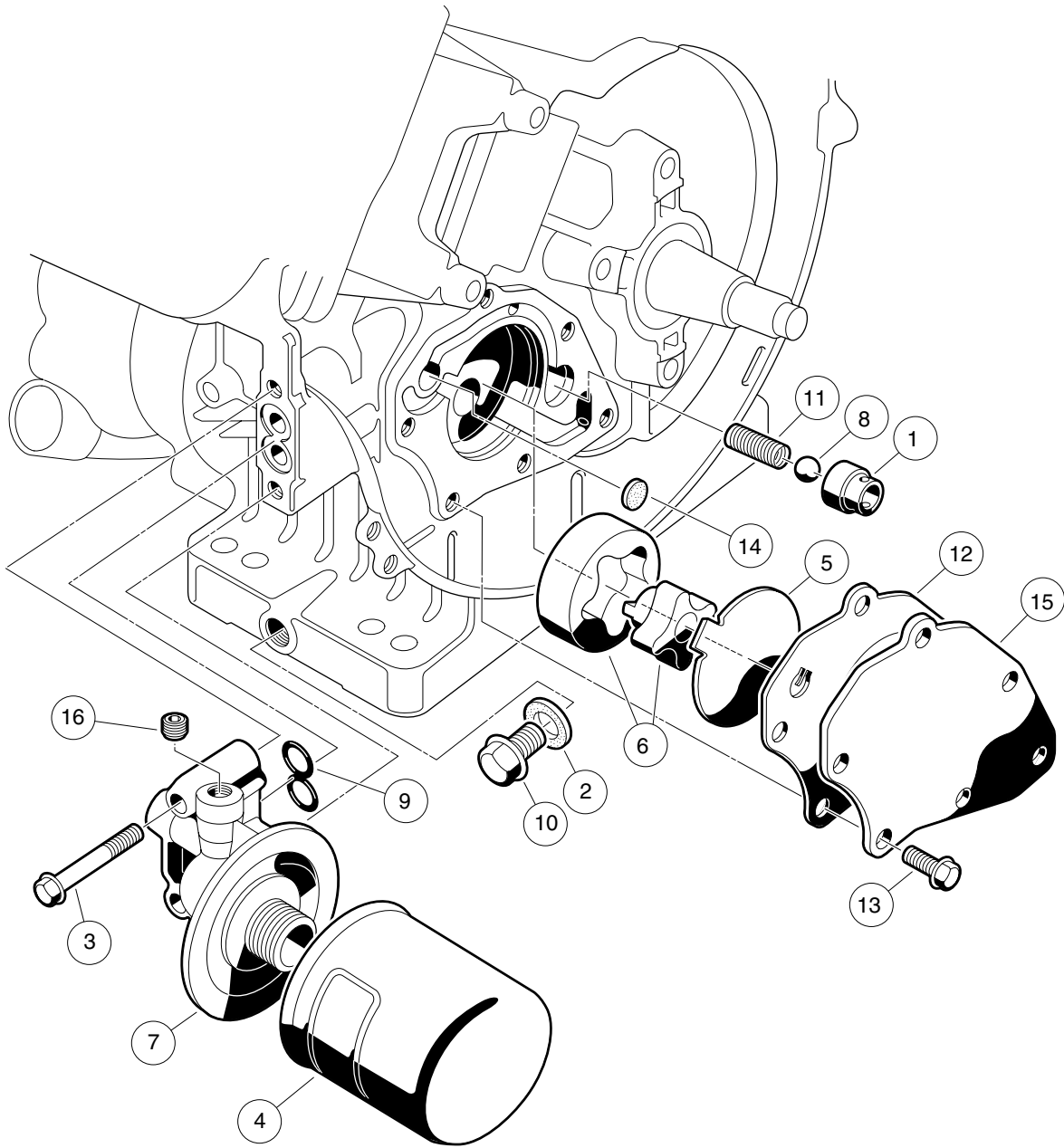


000202-001

# FE350 ENGINE – IGNITION COMPONENTS AND FLYWHEEL

ITEM	PART NO.	DESCRIPTION	QTY
		1 2 3 4	
1	1016445	Bracket, RPM Limiter .....	1
2	1016455	Bolt, Flange Head .....	2
3	1016456	Bolt, Flange Head, M6 x 1 x 12 mm .....	2
4	1016497	Screw, Pan WP Cross .....	1
5	1016544	Screw .....	1
6	1016561	Clamp .....	1
7	1016562	Key .....	1
8	1016578	Grommet .....	1
9	1016579	Band, RPM Limiter Mount .....	1
10	1016586	Damper, RPM Limiter .....	1
11	1016587	Clamp .....	1
12	1016588	Tube, 7mm X 10mm X 70mm .....	1
13	1017448	Bolt, Flanged .....	3
14	1017455	Plate, Flywheel Fan .....	1
15	1017463	Cap Asm Plug .....	1
16	1017468	Clamp .....	1
17	1017490	Washer, Flat .....	1
18	101881101	Spark Plug, OHV (Autolite) .....	1
19	101909201	Coil, Ignition .....	1
20	101909301	Lead Wire Assy .....	1
21	101909401	Limiter, RPM .....	1
22	N/A	Clamp, Steel .....	1
23	101916201	Flywheel .....	1
24	101916301	Fan (cw) .....	1
25	N/A	Nut, Hex, 18 mm Fine .....	1
26	AM10724	Spark Plug, OHV (NGK) .....	1

**7**  
**G**

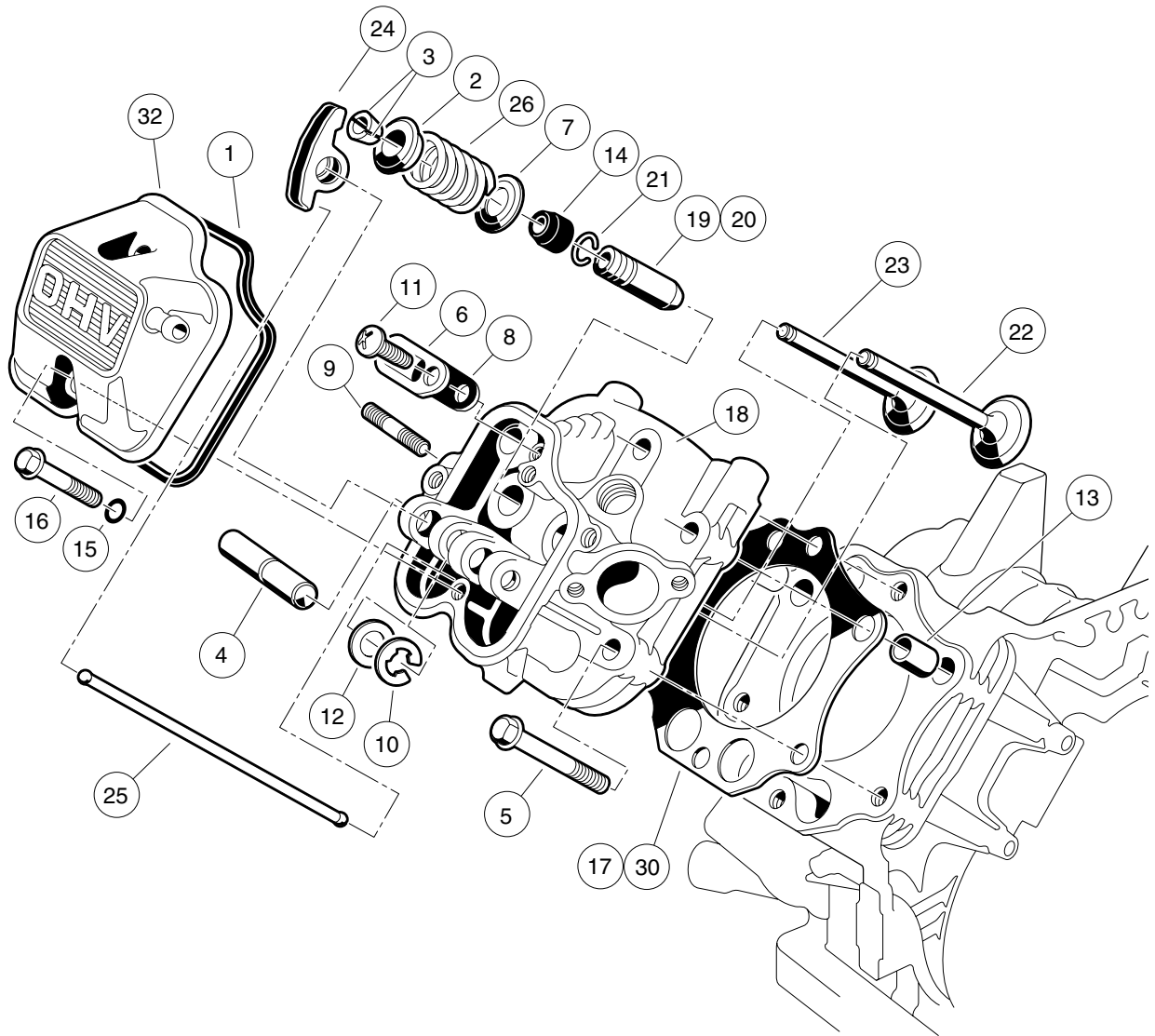


000203-001

## FE350 ENGINE – OIL CIRCULATION

ITEM	PART NO.	DESCRIPTION	QTY
		1 2 3 4	
1	1016429	Seat, Value Oil Press Relief .....	1
2	1016432	Gasket, Drain Plug .....	1
3	1016457	Bolt, Flange Head .....	2
4	1016467	Filter, Oil .....	1
5	1016473	Plate, Oil Pump .....	1
6	101648203	Oil Pump And Rotor .....	1
7	1016502	Bracket, Oil Filter Mount .....	1
8	1016537	Ball, Steel, Press, Relief .....	1
9	1016570	O-Ring .....	1
10	1016576	Plug, Drain .....	1
11	1016581	Spring .....	1
12	1017442	Gasket .....	1
13	1017456	Bolt, Flanged .....	6
14	1017458	Filter .....	1
15	1017460	Cover, Pump .....	1
16	1017507	Plug .....	2

7  
G



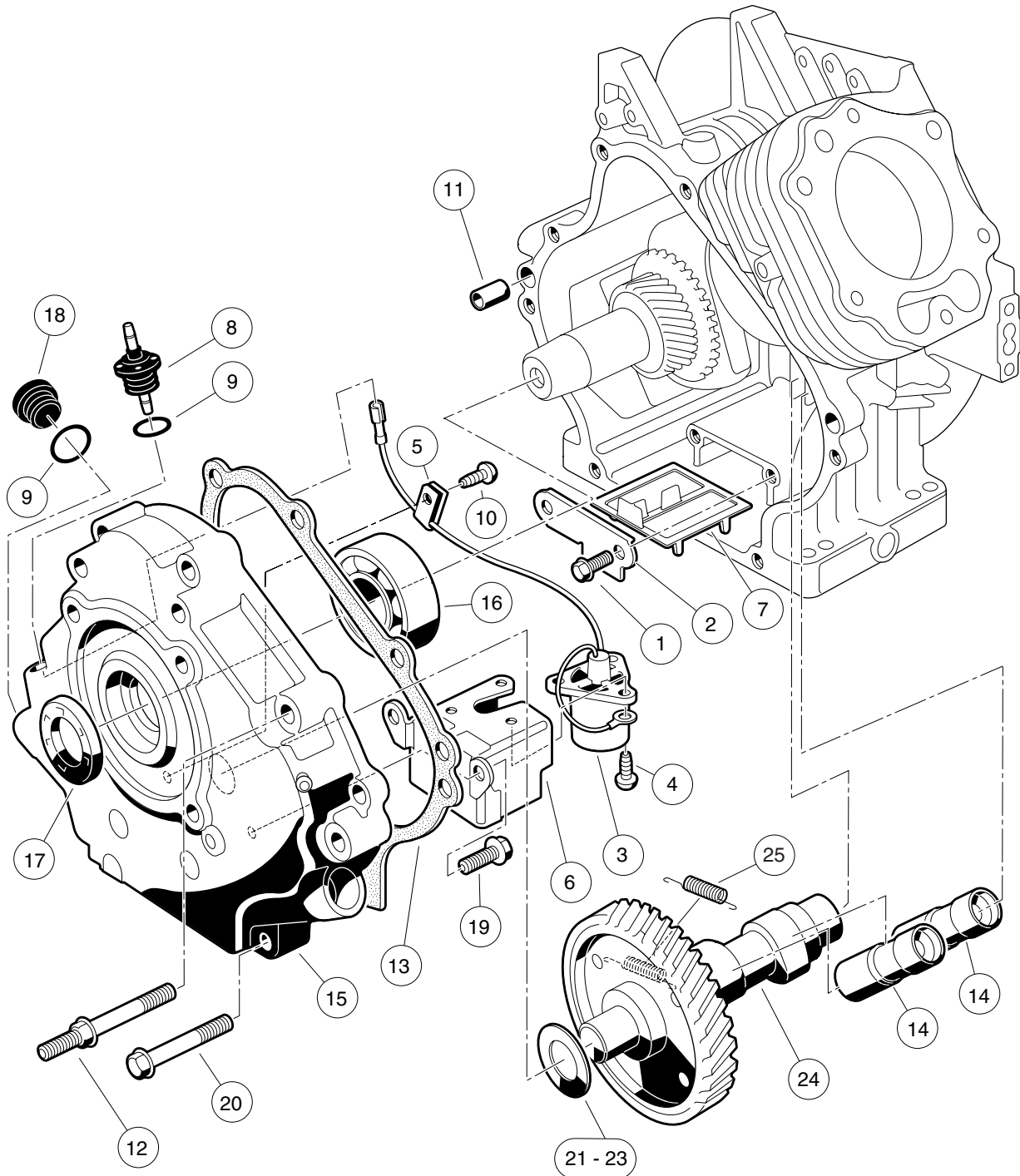
000204-001

# FE350 ENGINE – CYLINDER HEAD

ITEM	PART NO.	DESCRIPTION	QTY
		1 2 3 4	
1	1016436	Gasket, Rocker Case .....	1
2	1016449	Retainer, Valve Spring .....	2
3	1016450	Collet .....	4
4	1016452	Shaft, Rocker .....	1
5	1016458	Bolt, Flange Head, M8 x 1.25 x 45 mm .....	6
6	1016474	Plate .....	1
7	1016479	Seat, Spring .....	2
8	1016483	Valve .....	1
9	1016489	Stud, Two-Ended, M8-1.25 .....	2
10	1016517	Circlip, Type-E .....	1
11	1016544	Screw .....	1
12	1016549	Washer, 12.1x19x1.8 .....	1
13	1016563	Pin .....	2
14	1016566	Seal, Oil .....	2
15	1016569	O-Ring .....	2
16	1016583	Bolt, 6x35 .....	2
17	1017434	Gasket, Head .....	1
18	1017435	Assembly, Cylinder Head, FE350 (includes items 19 through 21) .....	1
19	1016518	Guide, Valve, Exhaust .....	1
20	1016519	Guide, Valve .....	1
21	1016560	Snap Ring .....	2
22	1017444	Valve, Intake .....	1
23	1017445	Valve, Exhaust .....	1
24	1017446	Arm, Rocker .....	2
25	1017454	Rod, Push .....	2
26	1017473	Spring, Engine Valve .....	2
27	102304801	Kit, Gasket, FE350 (includes items 28 through 31) .....	1
28	1016440	Gasket, Engine to Insulator .....	1
29	1016904	Gasket, Exhaust .....	1
30	1017434	Gasket, Head .....	1
31	1017443	Gasket, Crankcase Cover .....	1
32	102753401	Case, Rocker -w/o Logo Fe290 .....	1
		Note: Item 28 is not a component of the FE350 engine.	

**7**

**G**



000205-001

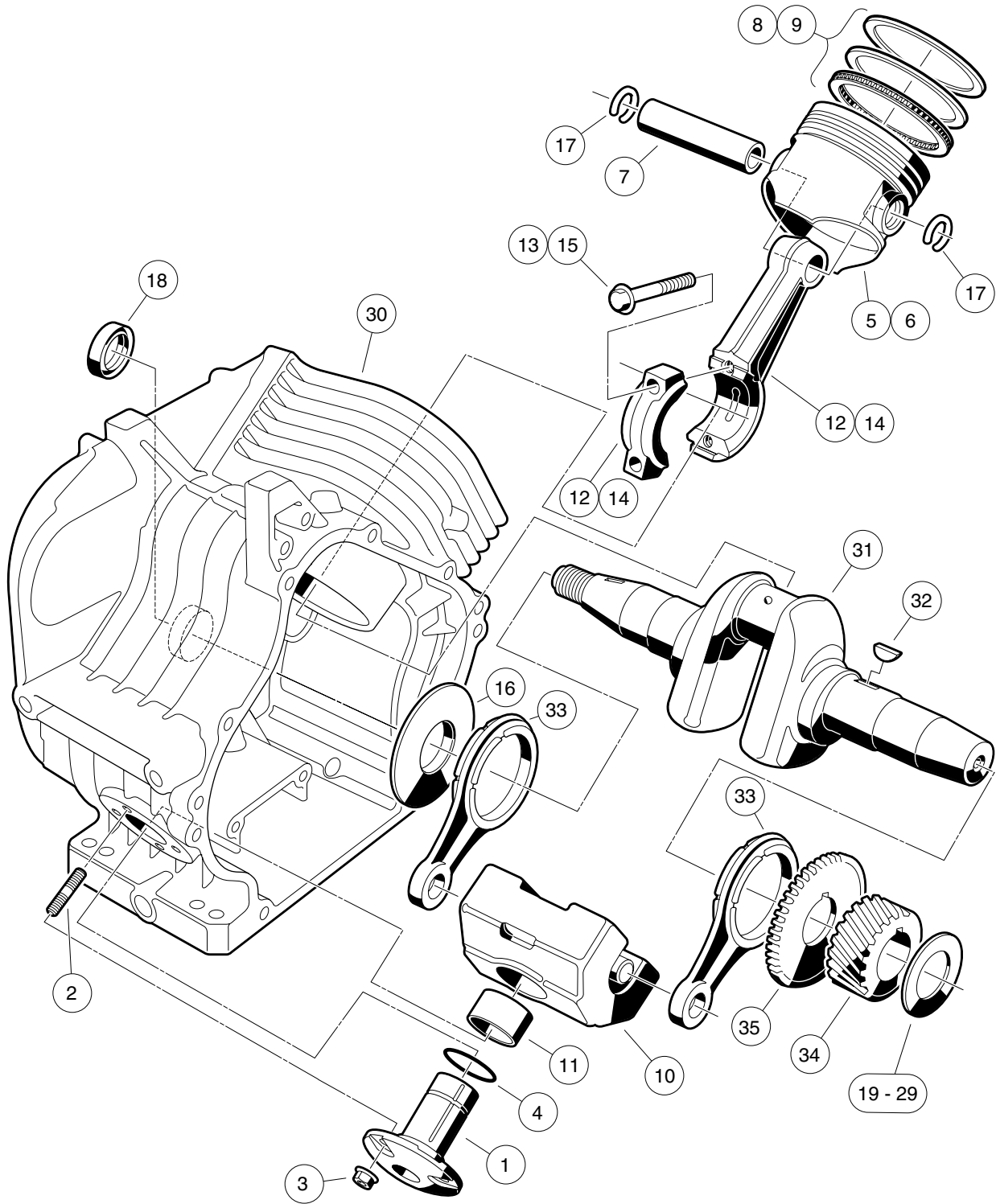


# FE350 ENGINE WITH ACR – CRANKCASE, CAMSHAFT, AND OIL SENSOR

ITEM	PART NO.	DESCRIPTION	QTY
		1 2 3 4	
1	1016454	Bolt, Flange Head, M5 x 0.8 x 8 mm .....	2
2	1016472	Plate, Oil Filter Screen .....	1
3	1016494	Sensor, Oil Level .....	1
4	1016496	Screw, Cross Pan-Head, M4 x 0.7 x 8 mm .....	3
5	1016506	Clamp .....	1
6	1016510	Bracket, Switch, Oil Level .....	1
7	1016521	Screen, Oil Filter .....	1
8	1016535	Connector, Cord .....	1
9	1016538	O-Ring .....	2
10	1016544	Screw .....	1
11	1016564	Pin .....	2
12	1016584	Bolt, Two-Ended, M8 x 1.25 x 69 mm .....	2
13	1017443	Gasket, Crankcase Cover .....	1
14	1017447	Adjuster, Lash .....	2
15	1017472	Cover Crankcase .....	1
16	1017487	Bearing, Ball .....	1
17	1017504	Seal, Oil .....	1
18	1017508	Plug .....	1
19	1017513	Bolt .....	2
20	1017514	Screw, M8-1.25 X 45mm Hex .....	6
21	101751801	Shim, 0.3 .....	A/R
22	101751802	Shim, 0.4 .....	A/R
23	101751803	Shim, 0.5 .....	A/R
24	102271601	Camshaft, FE350/FE400 with ACR, 44-tooth (includes item 25) .....	1
25	1017511	Spring .....	1

**7**

**G**



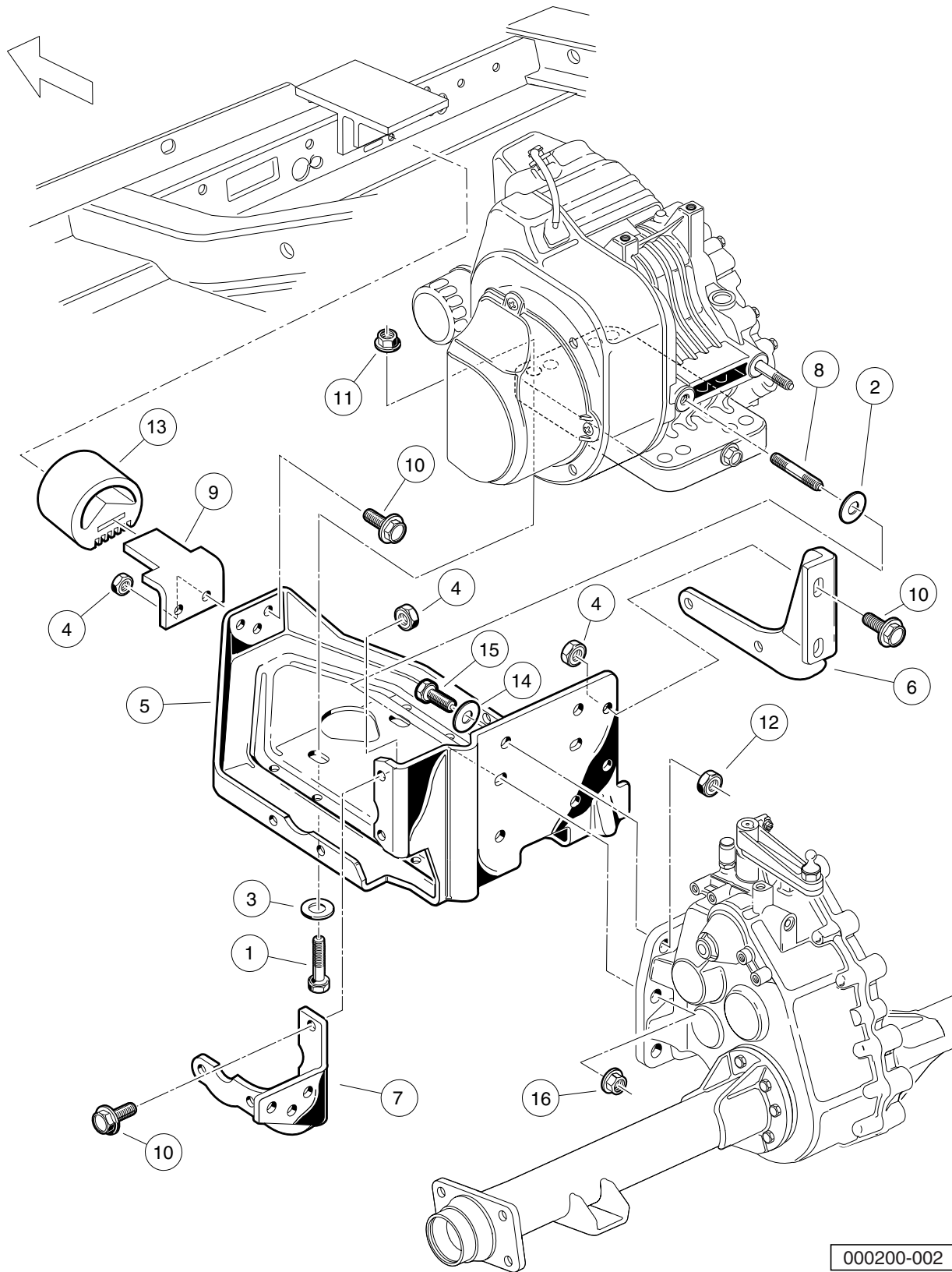
000206-001

## FE350 ENGINE – CRANKCASE AND CRANKSHAFT

ITEM	PART NO.	DESCRIPTION	QTY
		1 2 3 4	
1	1016470	Shaft, Guide, Counterbalance .....	1
2	1016541	Stud, 6x14 .....	4
3	1016547	Nut .....	4
4	1016571	O-Ring .....	1
5	101744901	Piston, Standard .....	1
6	101744902	Piston, 0.50 mm Oversize .....	1
7	1017450	Pin, Piston .....	1
8	101745101	Ring Set, Standard Piston .....	1
9	101745102	Ring Set, Piston, 0.50 mm Oversize .....	1
10	1017453	Weight (includes item 11) .....	1
11	1017510	Bearing, Plain .....	1
12	101745701	Asm, Con. Rod Std (includes item 13) .....	1
13	1017512	Bolt .....	2
14	101745702	Rod Assembly Connecting Rod 0.5mm (includes item 15) .....	1
15	1017512	Bolt .....	2
16	1017501	Spacer .....	1
17	1017502	Snap Ring .....	2
18	1017503	Seal, Oil .....	1
19	101773301	Shim, Crankshaft, 1.18mm .....	A/R
20	101773302	Shim, Crankshaft, 1.25mm .....	A/R
21	101773303	Shim, Crankshaft, 1.32mm .....	A/R
22	101773304	Shim, Crankshaft, 1.39mm .....	A/R
23	101773305	Shim, Crankshaft, 1.46mm .....	A/R
24	101773306	Shim, Crankshaft, 1.53mm .....	A/R
25	101773307	Shim, Crankshaft, 1.60mm .....	A/R
26	101773308	Shim, Crankshaft, 1.67mm .....	A/R
27	101773309	Shim, Crankshaft, 1.74mm .....	A/R
28	101773310	Shim, Crankshaft, 1.11 mm .....	A/R
29	101773311	Shim, Crankshaft, 1.81mm .....	A/R
30	101916001	Crankcase Complete, FE350 (cw) .....	1
31	102430901	Crankshaft, FE350 Left-Hand, 22-Tooth (includes items 32 through 35) .....	1
32	1016562	Key .....	1
33	1017471	Rod .....	2
34	N/A	Gear, Helical .....	1
35	N/A	Gear, Spur .....	1

7  
G

**7**  
**G**



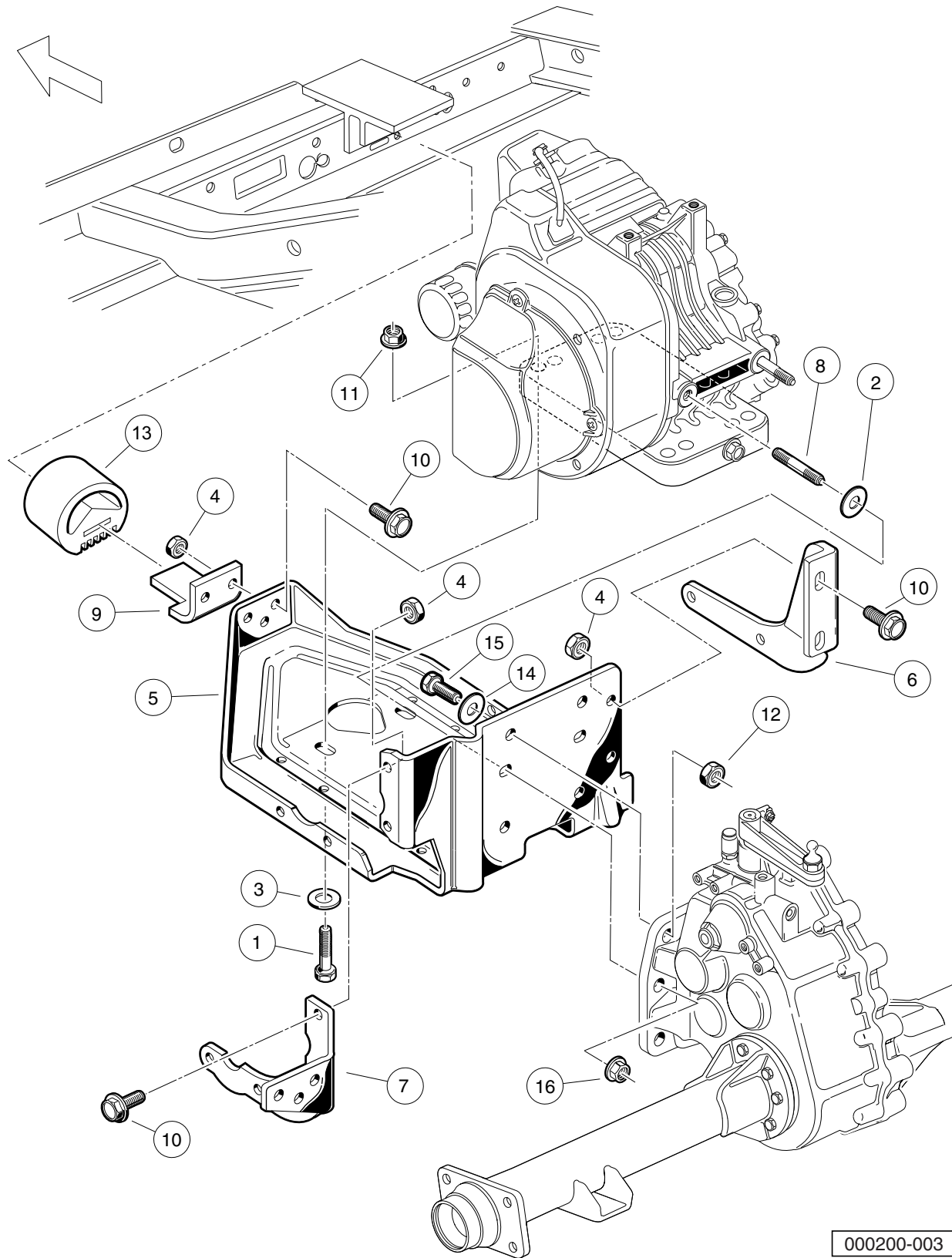
000200-002

# ENGINE MOUNTING – TURF/CARRYALL 252 AND XRT 900

ITEM	PART NO.	DESCRIPTION	QTY
		1 2 3 4	
1	1010577	Bolt, Hex-Head, 5/16-18 X 1.50 .....	4
2	1011697	Washer, 5/16 Flat .....	2
3	1012571	Washer, 5/16 Extra Thick Flat .....	4
4	1013924	Nut, 5/16-24 Hex Head Cone .....	10
5	101827101	Plate, Engine Mounting .....	1
6	101832601	Stiffener (PTO Side) .....	1
7	101832701	Stiffener (Flywheel Side) .....	1
8	101833101	Stud, M8-1.25 X 50 mm Two-Ended .....	2
9	101834601	Snubber Bracket .....	1
10	101884801	Screw, 5/16-24 X 0.875 Grade-8 .....	10
11	101963401	Locknut, 5/16-18 Hex Flange .....	4
12	102065901	Locknut, 3/8-16 Flanged Dimple .....	4
13	102540301	Inner Frame Snubber .....	1
14	334	Washer, 3/8 Type A Flat .....	4
15	705	Screw, Cap-hex Hd 3/8-16x1.25 .....	4
16	96704416	Nut Flg, M8 X 1.25 Serrated .....	2

**7**  
**G**

**7**  
**G**



000200-003

# FE350 ENGINE MOUNTING – TURF/CARRYALL 2 AND CARRYALL 2 PLUS

ITEM	PART NO.	DESCRIPTION	QTY
		1 2 3 4	
1	1010577	Bolt, Hex-Head, 5/16-18 X 1.50 .....	4
2	1011697	Washer, 5/16 Flat .....	2
3	1012571	Washer, 5/16 Extra Thick Flat .....	4
4	1013924	Nut, 5/16-24 Hex Head Cone .....	10
5	101827101	Plate, Engine Mounting .....	1
6	101832601	Stiffener (PTO Side) .....	1
7	101832701	Stiffener (Flywheel Side) .....	1
8	101833101	Stud, M8-1.25 X 50 mm Two-Ended .....	2
9	101834601	Snubber Bracket .....	1
10	101884801	Screw, 5/16-24 X 0.875 Grade-8 .....	10
11	101963401	Locknut, 5/16-18 Hex Flange .....	4
12	102065901	Locknut, 3/8-16 Flanged Dimple .....	4
13	102540301	Inner Frame Snubber .....	1
14	334	Washer, 3/8 Type A Flat .....	4
15	705	Screw, Cap-hex Hd 3/8-16x1.25 .....	4
16	96704416	Nut Flg, M8 X 1.25 Serrated .....	2

7  
G

7

G

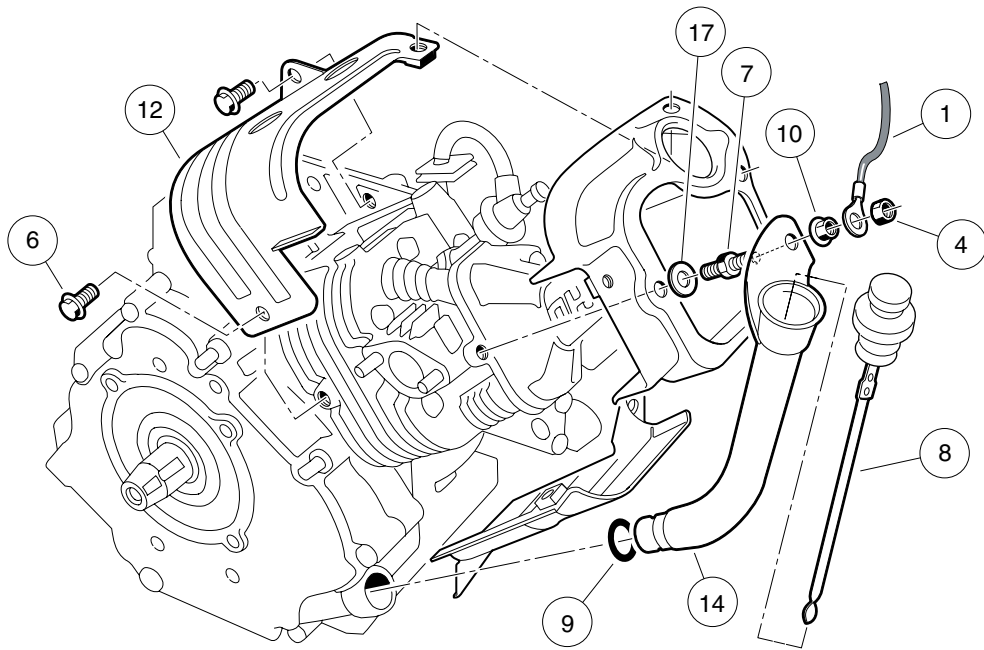
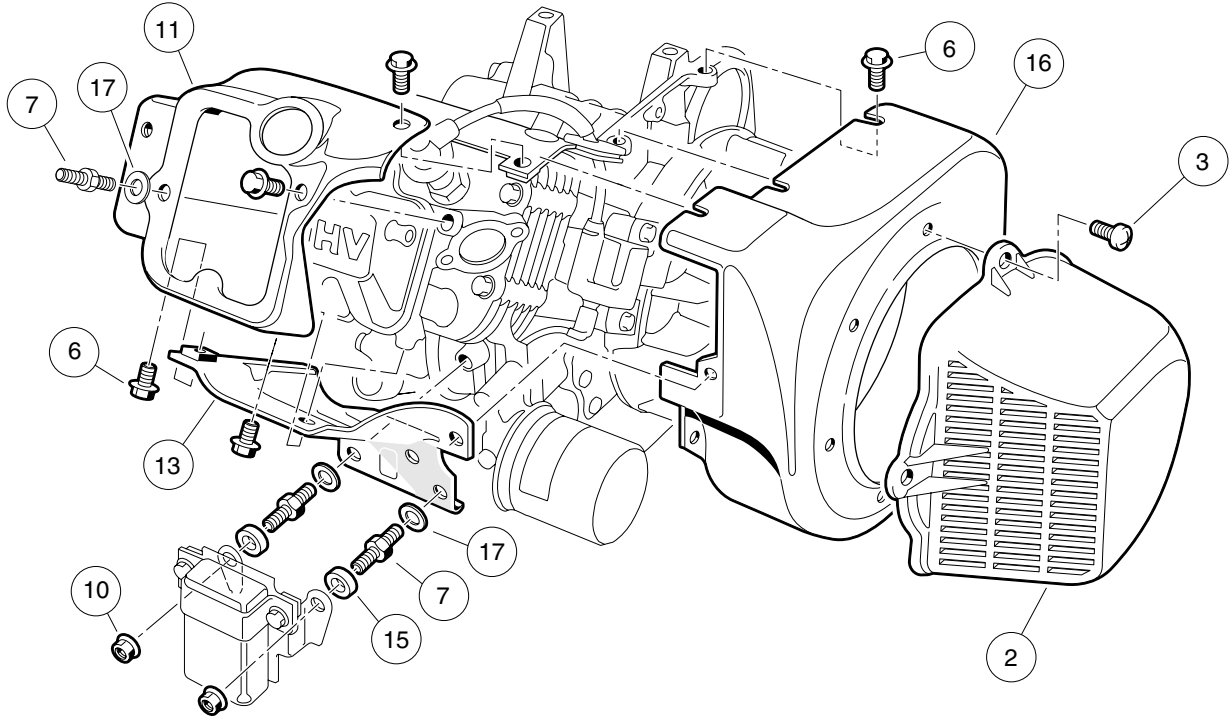


# **FE350 ENGINE WITHOUT ACR (TURF/ CA 2, 252 AND XRT 900)**

---

**8**

**G**



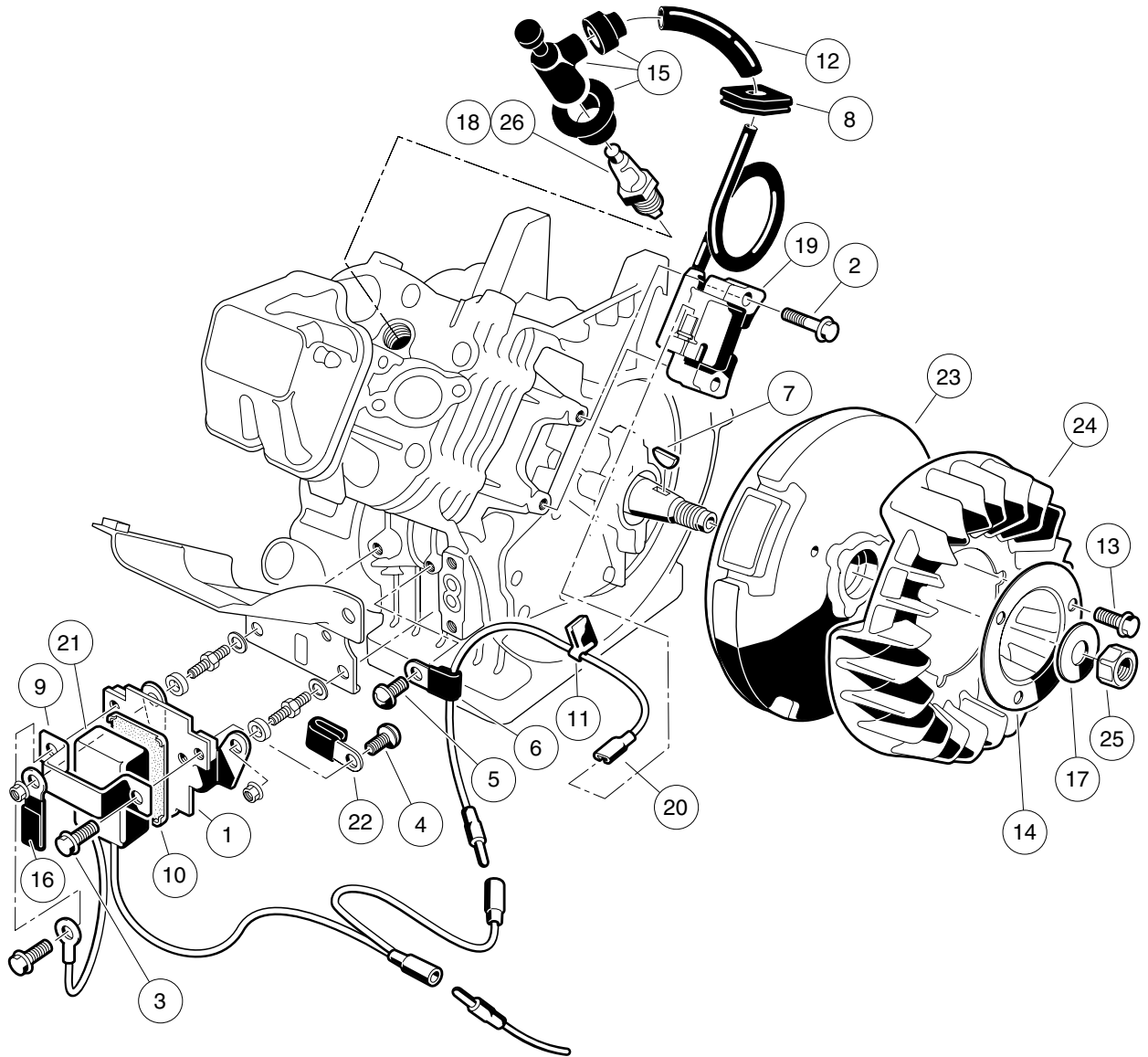
000201-001

# FE350 ENGINE WITHOUT ACR (AUTOMATIC COMPRESSION RELEASE) – SHROUDS AND BRACKETS

ITEM	PART NO.	DESCRIPTION	QTY
		1 2 3 4	
1	1015332	Wire Assembly, #10, Uninsulated .....	1
2	1015649	Shroud, Fan .....	1
3	1015969	Screw, M6-1.00 X 10mm Pan Hd .....	4
4	101887601	Locknut, M6-1.00 Nylon Insert .....	1
5	101953802	Engine, FE350 (cw) without ACR * (includes items 6 through 17) .....	1
6	1016456	Bolt, Flange Head, M6 x 1 x 12 mm .....	14
7	1016507	Bolt, Two-Ended .....	3
8	1016531	Dipstick .....	1
9	1016539	O-Ring .....	1
10	1016547	Nut .....	3
11	1017474	Shroud, Engine .....	1
12	1017475	Shroud, Engine .....	1
13	1017476	Shroud, Engine .....	1
14	1017486	Tube, Oil Filler .....	1
15	1017500	Spacer 6.50 X 12 X 5.5 .....	2
16	101916101	Housing, FE350 Fan .....	1
17	N/A	Washer, 6mm Flat .....	3
* Note: FE350 engine component listings span several pages.			

**8**

**G**



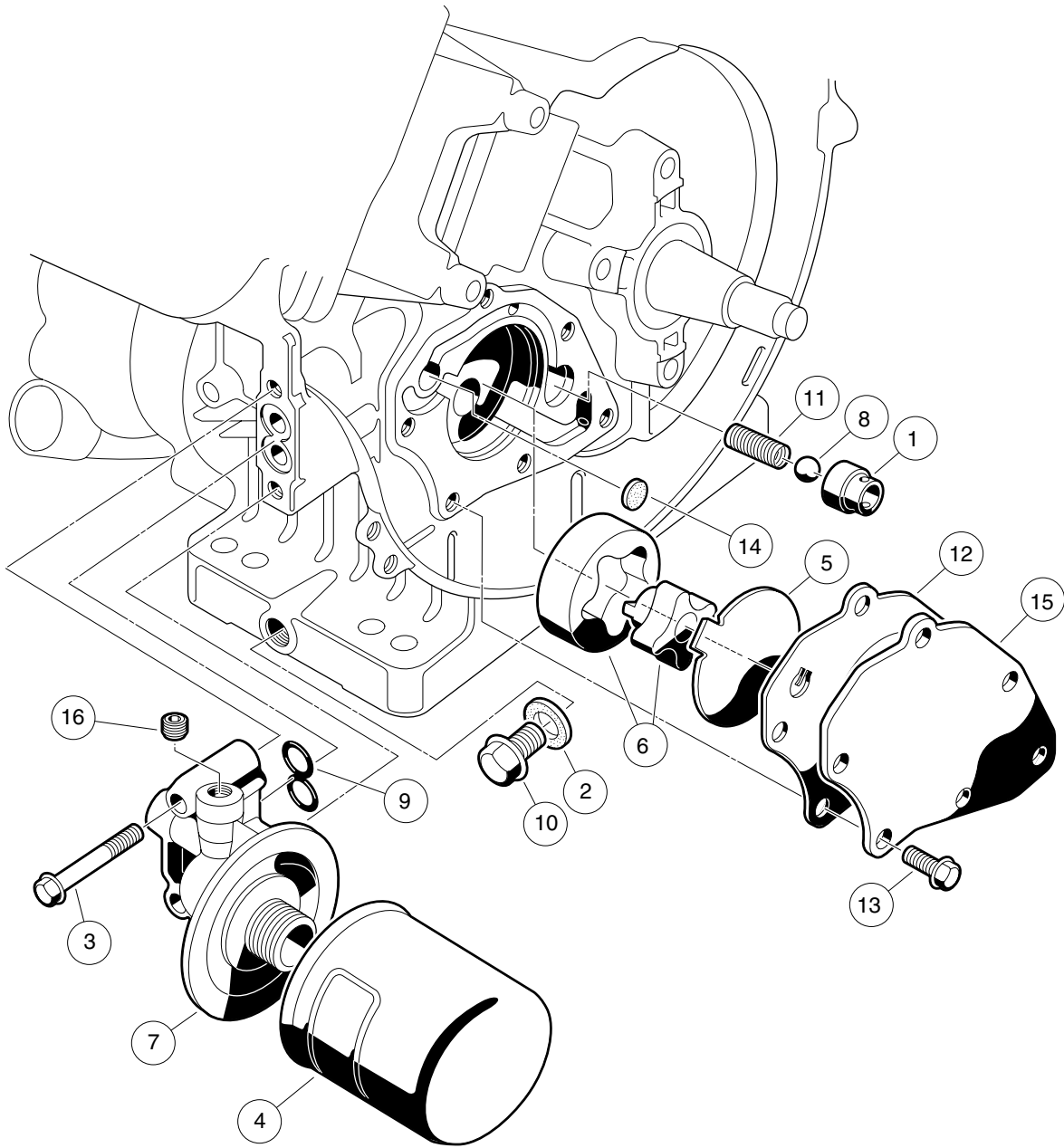
000202-001

# FE350 ENGINE – IGNITION COMPONENTS AND FLYWHEEL

ITEM	PART NO.	DESCRIPTION	QTY
		1 2 3 4	
1	1016445	Bracket, RPM Limiter .....	1
2	1016455	Bolt, Flange Head .....	2
3	1016456	Bolt, Flange Head, M6 x 1 x 12 mm .....	2
4	1016497	Screw, Pan WP Cross .....	1
5	1016544	Screw .....	1
6	1016561	Clamp .....	1
7	1016562	Key .....	1
8	1016578	Grommet .....	1
9	1016579	Band, RPM Limiter Mount .....	1
10	1016586	Damper, RPM Limiter .....	1
11	1016587	Clamp .....	1
12	1016588	Tube, 7mm X 10mm X 70mm .....	1
13	1017448	Bolt, Flanged .....	3
14	1017455	Plate, Flywheel Fan .....	1
15	1017463	Cap Asm Plug .....	1
16	1017468	Clamp .....	1
17	1017490	Washer, Flat .....	1
18	101881101	Spark Plug, OHV (Autolite) .....	1
19	101909201	Coil, Ignition .....	1
20	101909301	Lead Wire Assy .....	1
21	101909401	Limiter, RPM .....	1
22	N/A	Clamp, Steel .....	1
23	101916201	Flywheel .....	1
24	101916301	Fan (cw) .....	1
25	N/A	Nut, Hex, 18 mm Fine .....	1
26	AM10724	Spark Plug, OHV (NGK) .....	1

**8**

**G**



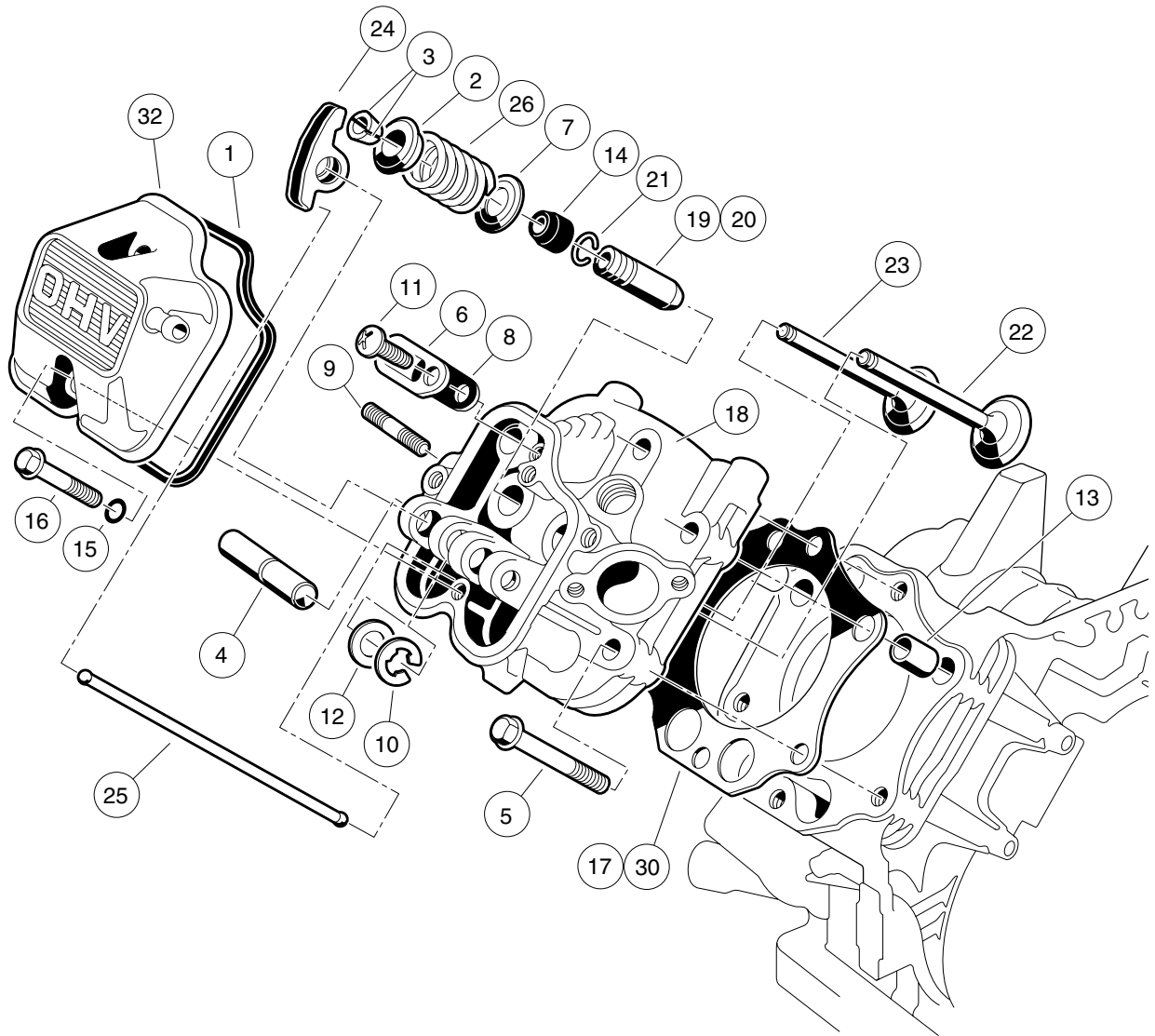
000203-001

## FE350 ENGINE – OIL CIRCULATION

ITEM	PART NO.	DESCRIPTION	QTY
		1 2 3 4	
1	1016429	Seat, Value Oil Press Relief .....	1
2	1016432	Gasket, Drain Plug .....	1
3	1016457	Bolt, Flange Head .....	2
4	1016467	Filter, Oil .....	1
5	1016473	Plate, Oil Pump .....	1
6	101648203	Oil Pump And Rotor .....	1
7	1016502	Bracket, Oil Filter Mount .....	1
8	1016537	Ball, Steel, Press, Relief .....	1
9	1016570	O-Ring .....	1
10	1016576	Plug, Drain .....	1
11	1016581	Spring .....	1
12	1017442	Gasket .....	1
13	1017456	Bolt, Flanged .....	6
14	1017458	Filter .....	1
15	1017460	Cover, Pump .....	1
16	1017507	Plug .....	2

**8**

**G**



000204-001

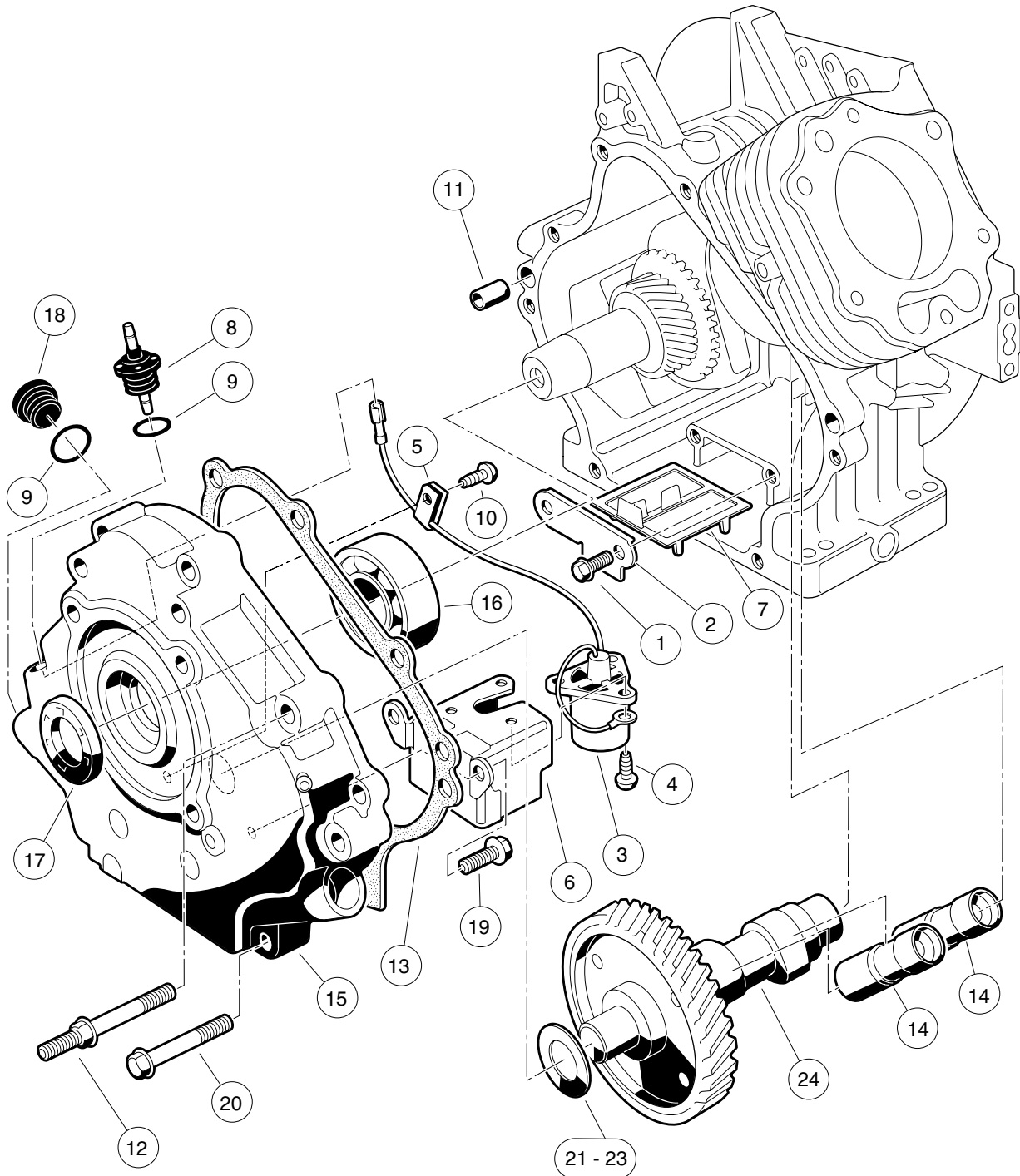


## FE350 ENGINE – CYLINDER HEAD

ITEM	PART NO.	DESCRIPTION	QTY
		1 2 3 4	
1	1016436	Gasket, Rocker Case .....	1
2	1016449	Retainer, Valve Spring .....	2
3	1016450	Collet .....	4
4	1016452	Shaft, Rocker .....	1
5	1016458	Bolt, Flange Head, M8 x 1.25 x 45 mm .....	6
6	1016474	Plate .....	1
7	1016479	Seat, Spring .....	2
8	1016483	Valve .....	1
9	1016489	Stud, Two-Ended, M8-1.25 .....	2
10	1016517	Circlip, Type-E .....	1
11	1016544	Screw .....	1
12	1016549	Washer, 12.1x19x1.8 .....	1
13	1016563	Pin .....	2
14	1016566	Seal, Oil .....	2
15	1016569	O-Ring .....	2
16	1016583	Bolt, 6x35 .....	2
17	1017434	Gasket, Head .....	1
18	1017435	Assembly, Cylinder Head, FE350 (includes items 19 through 21) .....	1
19	1016518	Guide, Valve, Exhaust .....	1
20	1016519	Guide, Valve .....	1
21	1016560	Snap Ring .....	2
22	1017444	Valve, Intake .....	1
23	1017445	Valve, Exhaust .....	1
24	1017446	Arm, Rocker .....	2
25	1017454	Rod, Push .....	2
26	1017473	Spring, Engine Valve .....	2
27	102304801	Kit, Gasket, FE350 (includes items 28 through 31) .....	1
28	1016440	Gasket, Engine to Insulator .....	1
29	1016904	Gasket, Exhaust .....	1
30	1017434	Gasket, Head .....	1
31	1017443	Gasket, Crankcase Cover .....	1
32	102753401	Case, Rocker -w/o Logo Fe290 .....	1
		Note: Item 28 is not a component of the FE350 engine.	

**8**

**G**

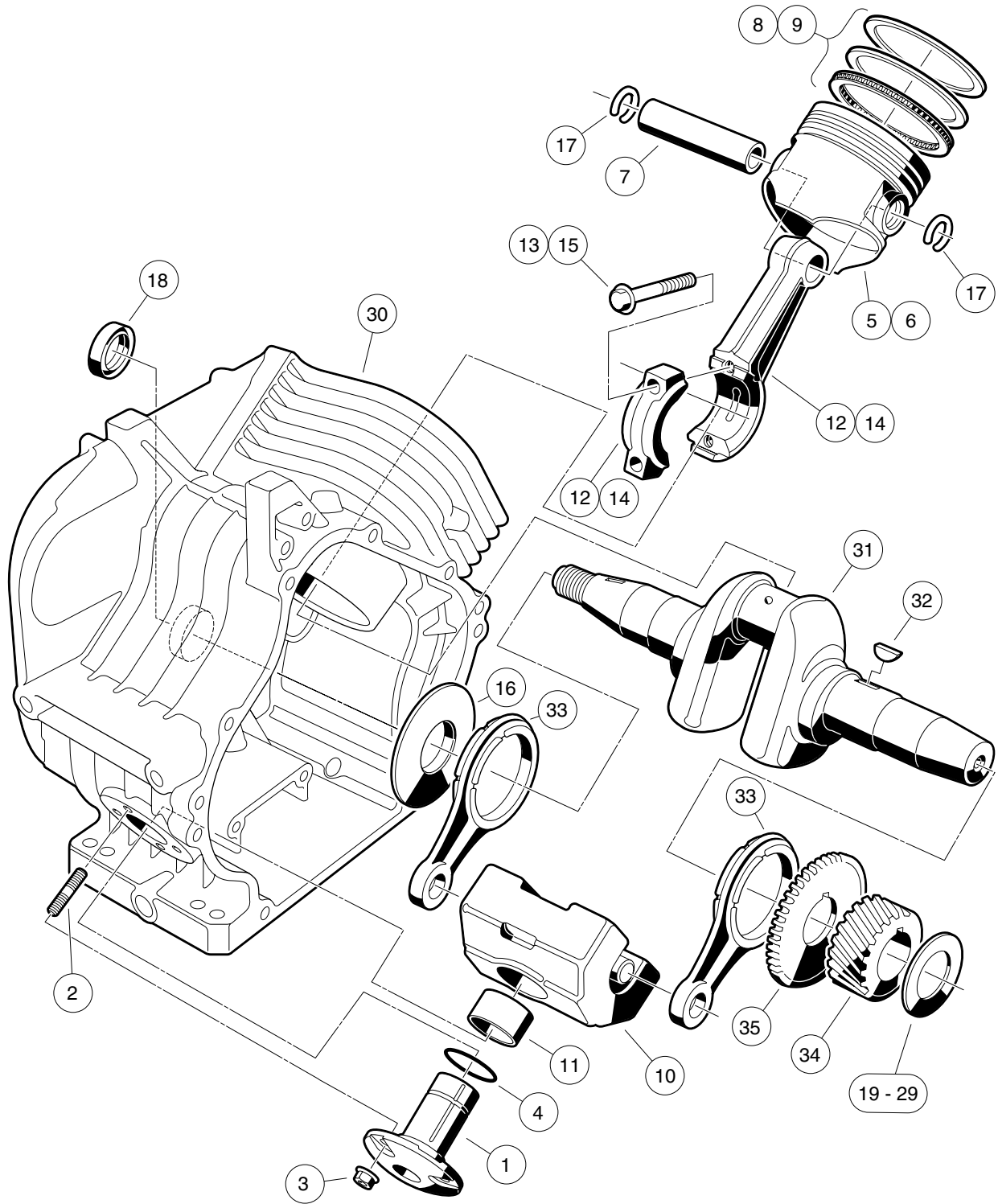


000205-002

## FE350 ENGINE WITHOUT ACR – CRANKCASE, CAMSHAFT, AND OIL SENSOR

ITEM	PART NO.	DESCRIPTION	QTY
		<b>1 2 3 4</b>	
1	1016454	Bolt, Flange Head, M5 x 0.8 x 8 mm .....	2
2	1016472	Plate, Oil Filter Screen .....	1
3	1016494	Sensor, Oil Level .....	1
4	1016496	Screw, Cross Pan-Head, M4 x 0.7 x 8 mm .....	3
5	1016506	Clamp .....	1
6	1016510	Bracket, Switch, Oil Level .....	1
7	1016521	Screen, Oil Filter .....	1
8	1016535	Connector, Cord .....	1
9	1016538	O-Ring .....	2
10	1016544	Screw .....	1
11	1016564	Pin .....	2
12	1016584	Bolt, Two-Ended, M8 x 1.25 x 69 mm .....	2
13	1017443	Gasket, Crankcase Cover .....	1
14	1017447	Adjuster, Lash .....	2
15	1017472	Cover Crankcase .....	1
16	1017487	Bearing, Ball .....	1
17	1017504	Seal, Oil .....	1
18	1017508	Plug .....	1
19	1017513	Bolt .....	2
20	1017514	Screw, M8-1.25 X 45mm Hex .....	6
21	101751801	Shim, 0.3 .....	A/R
22	101751802	Shim, 0.4 .....	A/R
23	101751803	Shim, 0.5 .....	A/R
24	102431001	Camshaft, FE350 without ACR, 44-Tooth .....	1

**8**  
**G**



000206-001

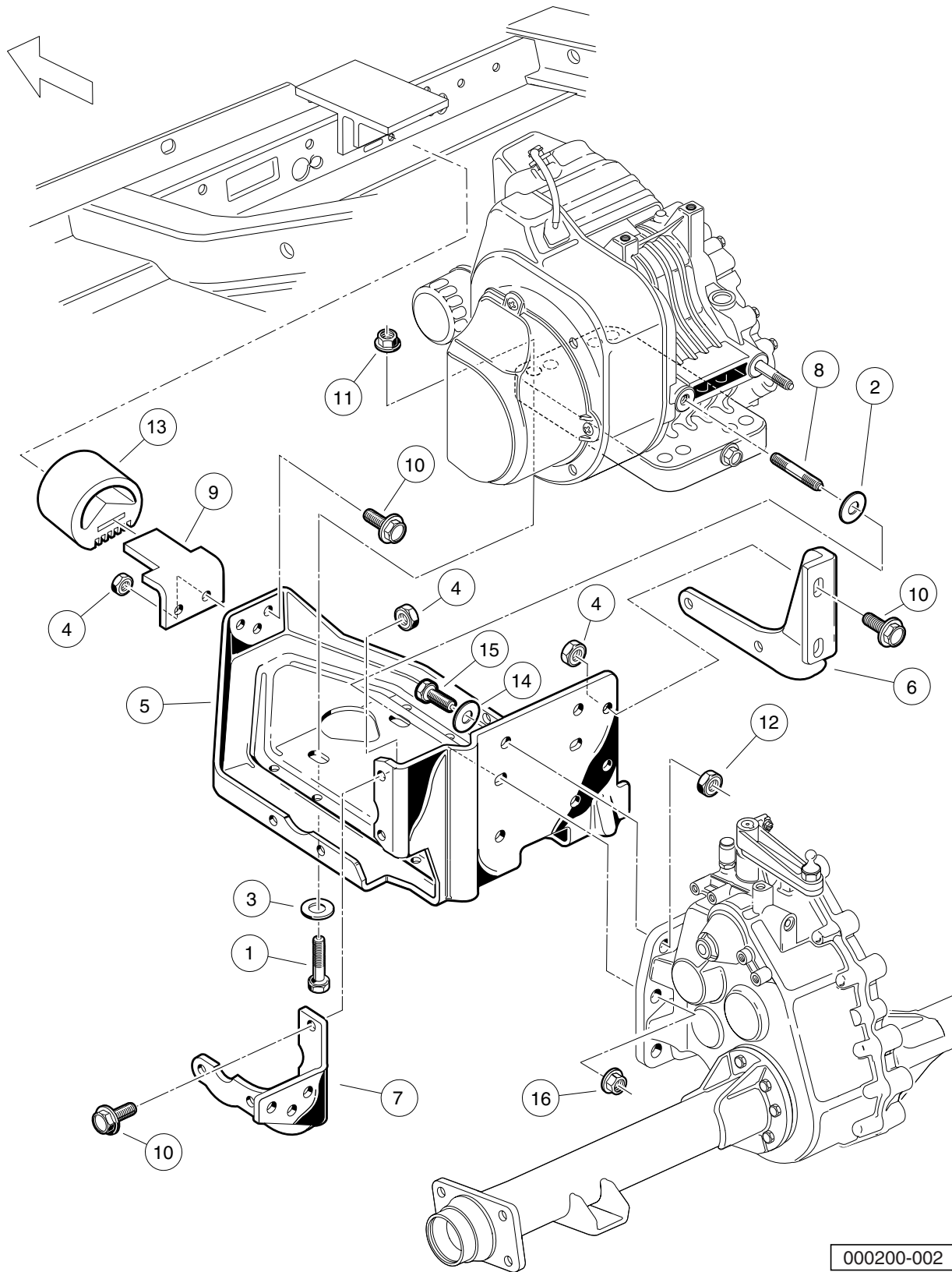
## FE350 ENGINE – CRANKCASE AND CRANKSHAFT

ITEM	PART NO.	DESCRIPTION	QTY
		1 2 3 4	
1	1016470	Shaft, Guide, Counterbalance .....	1
2	1016541	Stud, 6x14 .....	4
3	1016547	Nut .....	4
4	1016571	O-Ring .....	1
5	101744901	Piston, Standard .....	1
6	101744902	Piston, 0.50 mm Oversize .....	1
7	1017450	Pin, Piston .....	1
8	101745101	Ring Set, Standard Piston .....	1
9	101745102	Ring Set, Piston, 0.50 mm Oversize .....	1
10	1017453	Weight (includes item 11) .....	1
11	1017510	Bearing, Plain .....	1
12	101745701	Asm, Con. Rod Std (includes item 13) .....	1
13	1017512	Bolt .....	2
14	101745702	Rod Assembly Connecting Rod 0.5mm (includes item 15) .....	1
15	1017512	Bolt .....	2
16	1017501	Spacer .....	1
17	1017502	Snap Ring .....	2
18	1017503	Seal, Oil .....	1
19	101773301	Shim, Crankshaft, 1.18mm .....	A/R
20	101773302	Shim, Crankshaft, 1.25mm .....	A/R
21	101773303	Shim, Crankshaft, 1.32mm .....	A/R
22	101773304	Shim, Crankshaft, 1.39mm .....	A/R
23	101773305	Shim, Crankshaft, 1.46mm .....	A/R
24	101773306	Shim, Crankshaft, 1.53mm .....	A/R
25	101773307	Shim, Crankshaft, 1.60mm .....	A/R
26	101773308	Shim, Crankshaft, 1.67mm .....	A/R
27	101773309	Shim, Crankshaft, 1.74mm .....	A/R
28	101773310	Shim, Crankshaft, 1.11 mm .....	A/R
29	101773311	Shim, Crankshaft, 1.81mm .....	A/R
30	101916001	Crankcase Complete, FE350 (cw) .....	1
31	102430901	Crankshaft, FE350 Left-Hand, 22-Tooth (includes items 32 through 35) .....	1
32	1016562	Key .....	1
33	1017471	Rod .....	2
34	N/A	Gear, Helical .....	1
35	N/A	Gear, Spur .....	1

**8**

**G**

**8**  
**G**



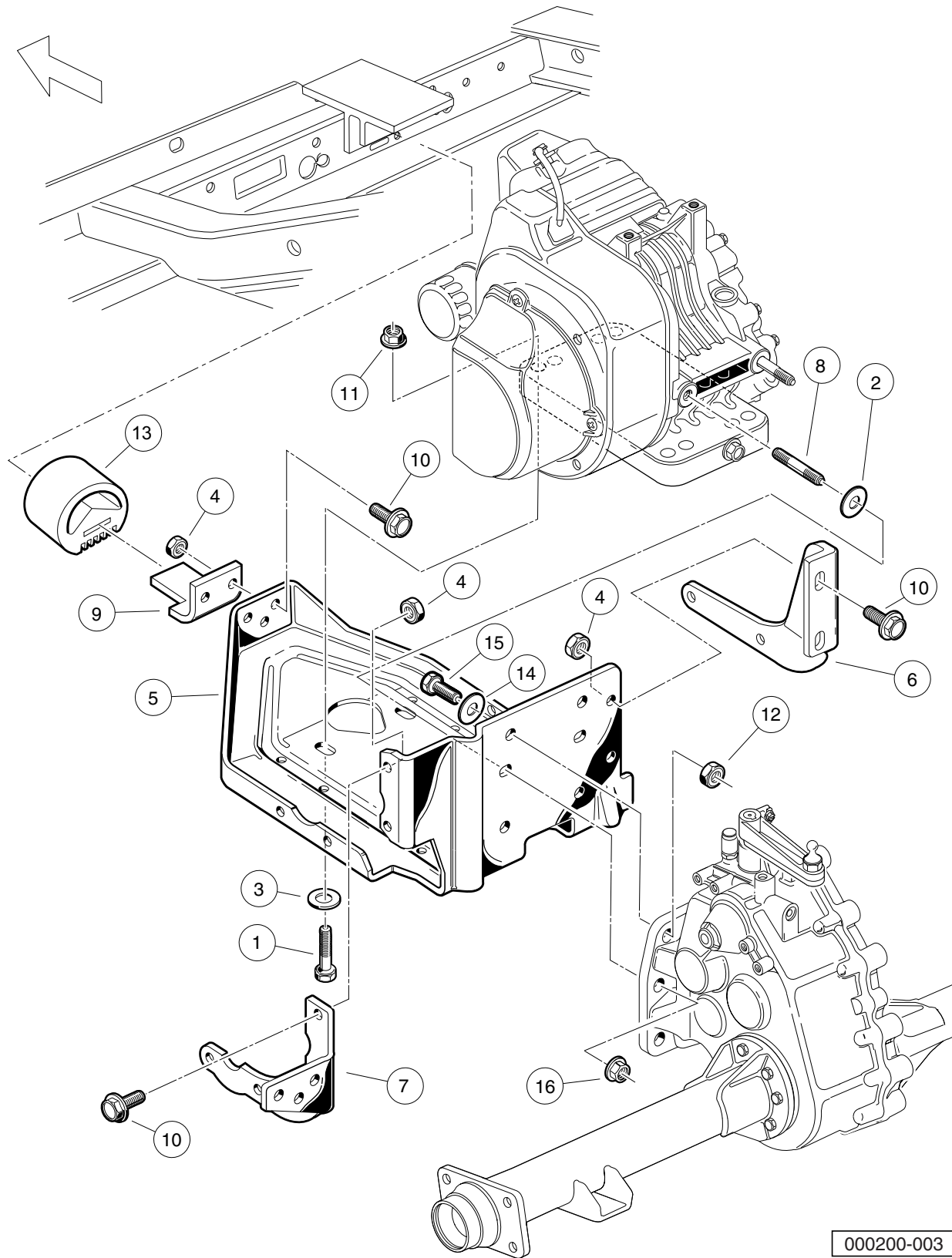
000200-002

# ENGINE MOUNTING – TURF/CARRYALL 252 AND XRT 900

ITEM	PART NO.	DESCRIPTION	QTY
		1 2 3 4	
1	1010577	Bolt, Hex-Head, 5/16-18 X 1.50 .....	4
2	1011697	Washer, 5/16 Flat .....	2
3	1012571	Washer, 5/16 Extra Thick Flat .....	4
4	1013924	Nut, 5/16-24 Hex Head Cone .....	10
5	101827101	Plate, Engine Mounting .....	1
6	101832601	Stiffener (PTO Side) .....	1
7	101832701	Stiffener (Flywheel Side) .....	1
8	101833101	Stud, M8-1.25 X 50 mm Two-Ended .....	2
9	101834601	Snubber Bracket .....	1
10	101884801	Screw, 5/16-24 X 0.875 Grade-8 .....	10
11	101963401	Locknut, 5/16-18 Hex Flange .....	4
12	102065901	Locknut, 3/8-16 Flanged Dimple .....	4
13	102540301	Inner Frame Snubber .....	1
14	334	Washer, 3/8 Type A Flat .....	4
15	705	Screw, Cap-hex Hd 3/8-16x1.25 .....	4
16	96704416	Nut Flg, M8 X 1.25 Serrated .....	2

**8**  
**G**

8  
G



000200-003



# FE350 ENGINE MOUNTING – TURF/CARRYALL 2 AND CARRYALL 2 PLUS

ITEM	PART NO.	DESCRIPTION	QTY
		1 2 3 4	
1	1010577	Bolt, Hex-Head, 5/16-18 X 1.50 .....	4
2	1011697	Washer, 5/16 Flat .....	2
3	1012571	Washer, 5/16 Extra Thick Flat .....	4
4	1013924	Nut, 5/16-24 Hex Head Cone .....	10
5	101827101	Plate, Engine Mounting .....	1
6	101832601	Stiffener (PTO Side) .....	1
7	101832701	Stiffener (Flywheel Side) .....	1
8	101833101	Stud, M8-1.25 X 50 mm Two-Ended .....	2
9	101834601	Snubber Bracket .....	1
10	101884801	Screw, 5/16-24 X 0.875 Grade-8 .....	10
11	101963401	Locknut, 5/16-18 Hex Flange .....	4
12	102065901	Locknut, 3/8-16 Flanged Dimple .....	4
13	102540301	Inner Frame Snubber .....	1
14	334	Washer, 3/8 Type A Flat .....	4
15	705	Screw, Cap-hex Hd 3/8-16x1.25 .....	4
16	96704416	Nut Flg, M8 X 1.25 Serrated .....	2

**8**

**G**

8

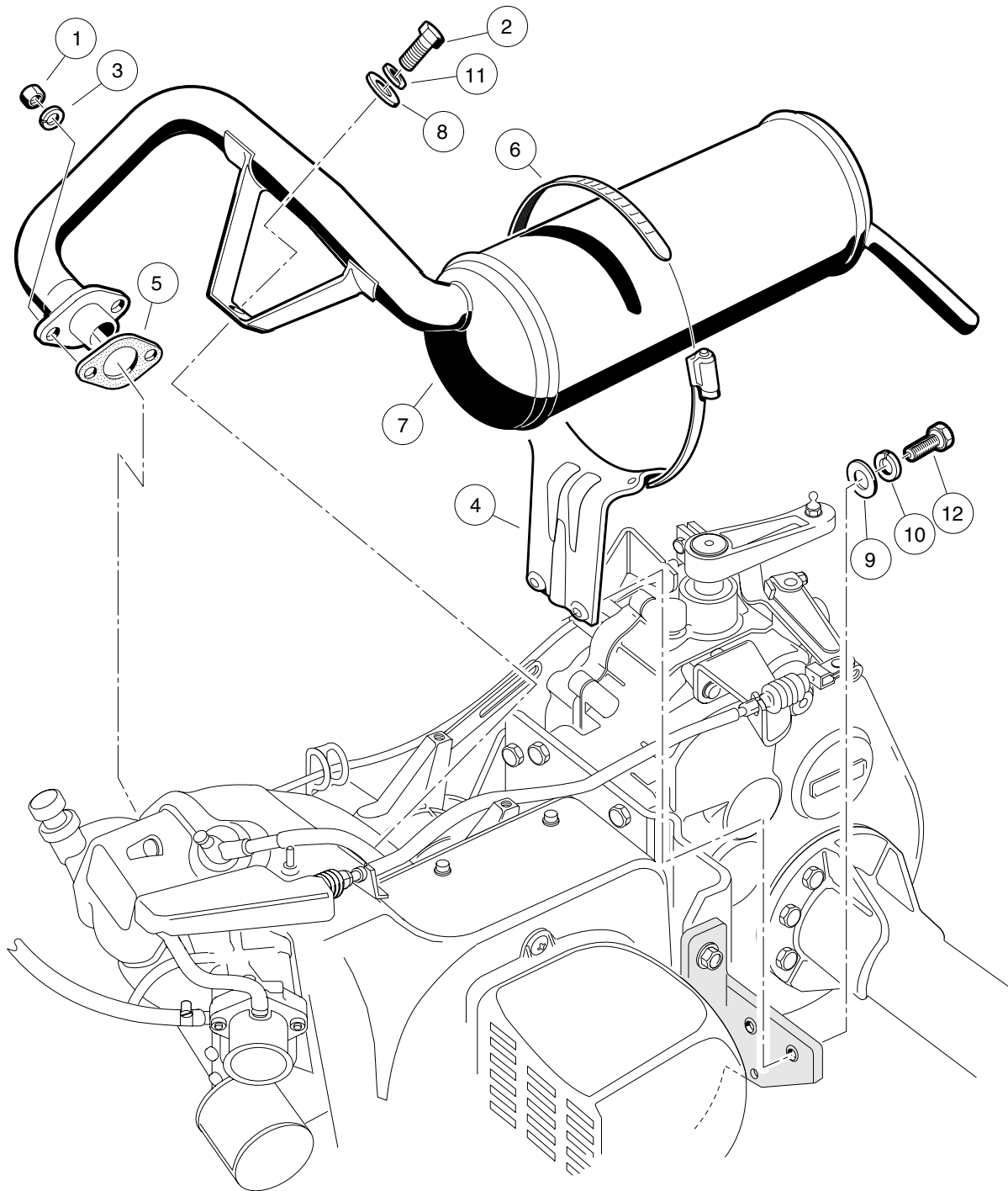
G

# EXHAUST SYSTEM

---

9

G



000209-001

## EXHAUST SYSTEM – FE350 ENGINE

ITEM	PART NO.	DESCRIPTION	QTY
		1 2 3 4	
1	1012528	Nut, M8-1.25 Hex .....	2
2	1012830	Screw, M8-125 X 22 Hex-Head .....	1
3	1013734	Lockwasher, 8mm Split .....	2
4	1015814	Bracket, Muffler Mounting .....	1
5	1016904	Gasket, Exhaust .....	1
6	1017689	Clamp, 5" Muffler Hose .....	1
7	101859401	Exhaust System, FE350 .....	1
8	1241	Washer, 5/16 Type A Flat .....	1
9	332	Washer, 1/4 Type A Narrow Flat .....	2
10	451	Lockwasher, 1/4 Helical Split .....	2
11	7174	Lockwasher, 5/16 Split .....	1
12	7847	Screw, 1/4-20 X 0.75 Hex-Head Cap .....	2

**9**  
**G**

9

G

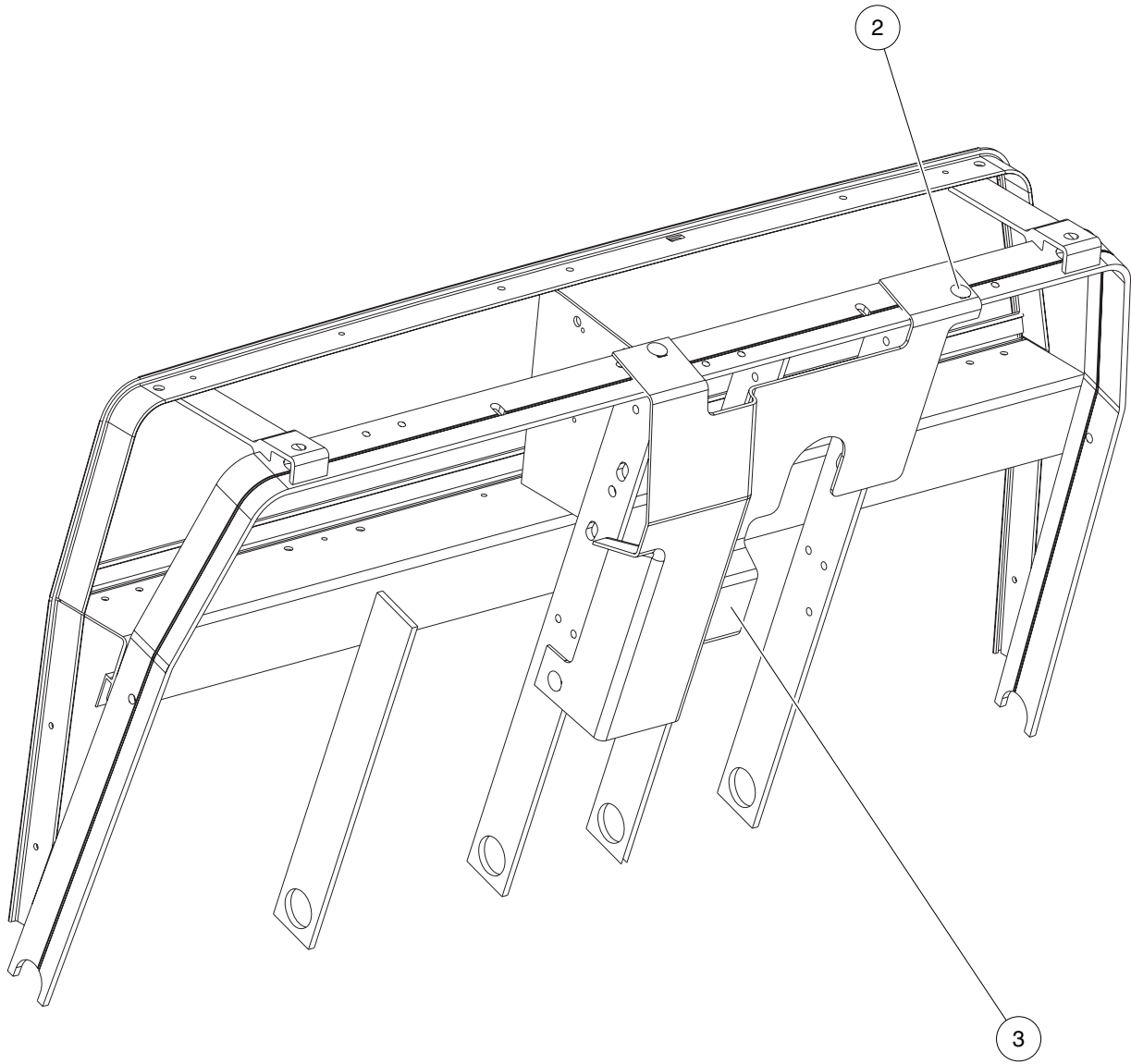
# FUEL, INTAKE, AND GOVERNOR SYSTEMS

---

10

G

**10**  
**G**



000593-001

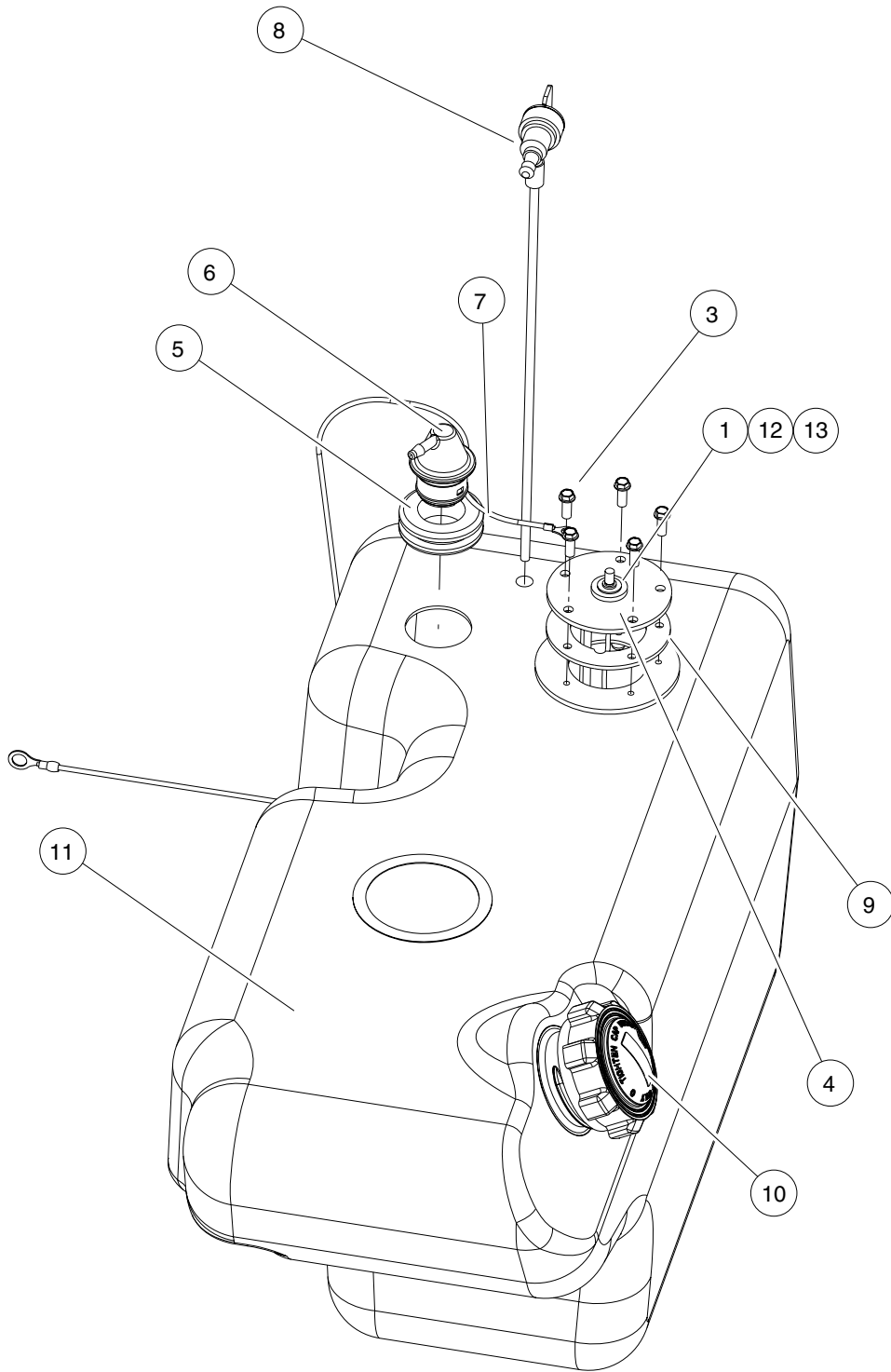


# SPLASH GUARD

ITEM	PART NO.	DESCRIPTION	QTY
		1 2 3 4	
1	N/A	Instl, Splashguard, Ca (includes items 2 and 3) .....	1
2	1010434	Barrel - Plastic .....	3
3	103174401	Splash Guard .....	1

10

G



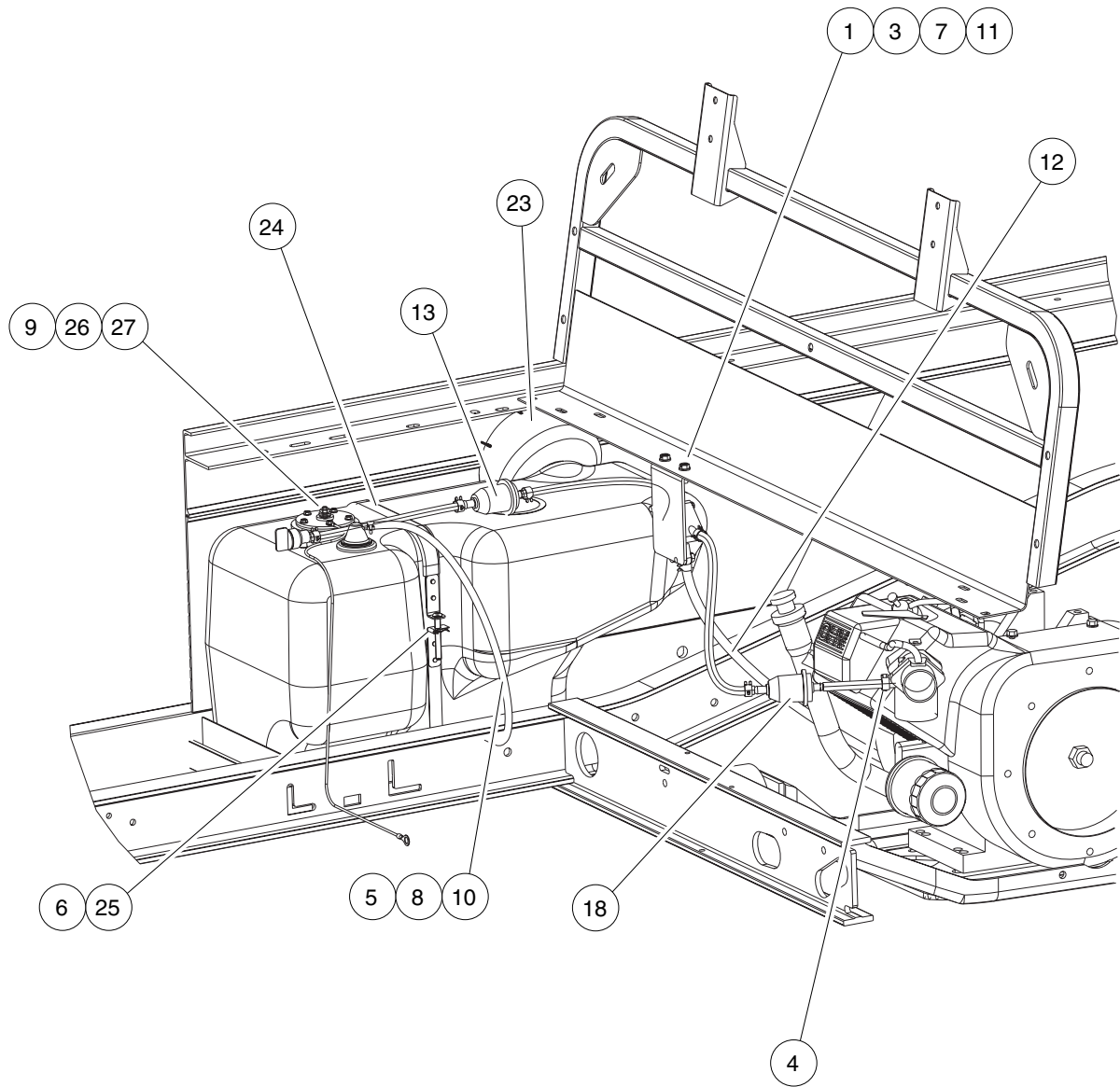
000609-001

## FUEL TANK WITH SENDING UNIT

ITEM	PART NO.	DESCRIPTION	QTY
		1 2 3 4	
1	1016	Washer, #10 Split Lock .....	1
2	103187601	Asm, Fuel Tank, Side Fill, Su (includes items 3 through 11) .....	1
3	1013461	Screw, #10-16 Hex-Head Hi-Lo .....	5
4	****	Sending Unit, Fuel Level * .....	1
5	1015139	Insulation Grommet .....	1
6	1015143	Vent, Fuel Tank .....	1
7	N/A	Wire Assembly #16 Black .....	1
8	102513701	Valve - Fuel Pickup Tube .....	1
9	102522001	Gasket, Rubber .....	1
10	102751601	Cap, Fuel Tank, Gasoline .....	1
11	N/A	Tank, Fuel, Side Fill .....	1
12	183	Washer, #10 Type A Flat .....	1
13	8797	Nut, #10-32 Brass Hex .....	1
<p>**** Special order item available upon request.</p> <p>* Note: Must replace fuel sending unit gasket when servicing this component.</p>			

10

G

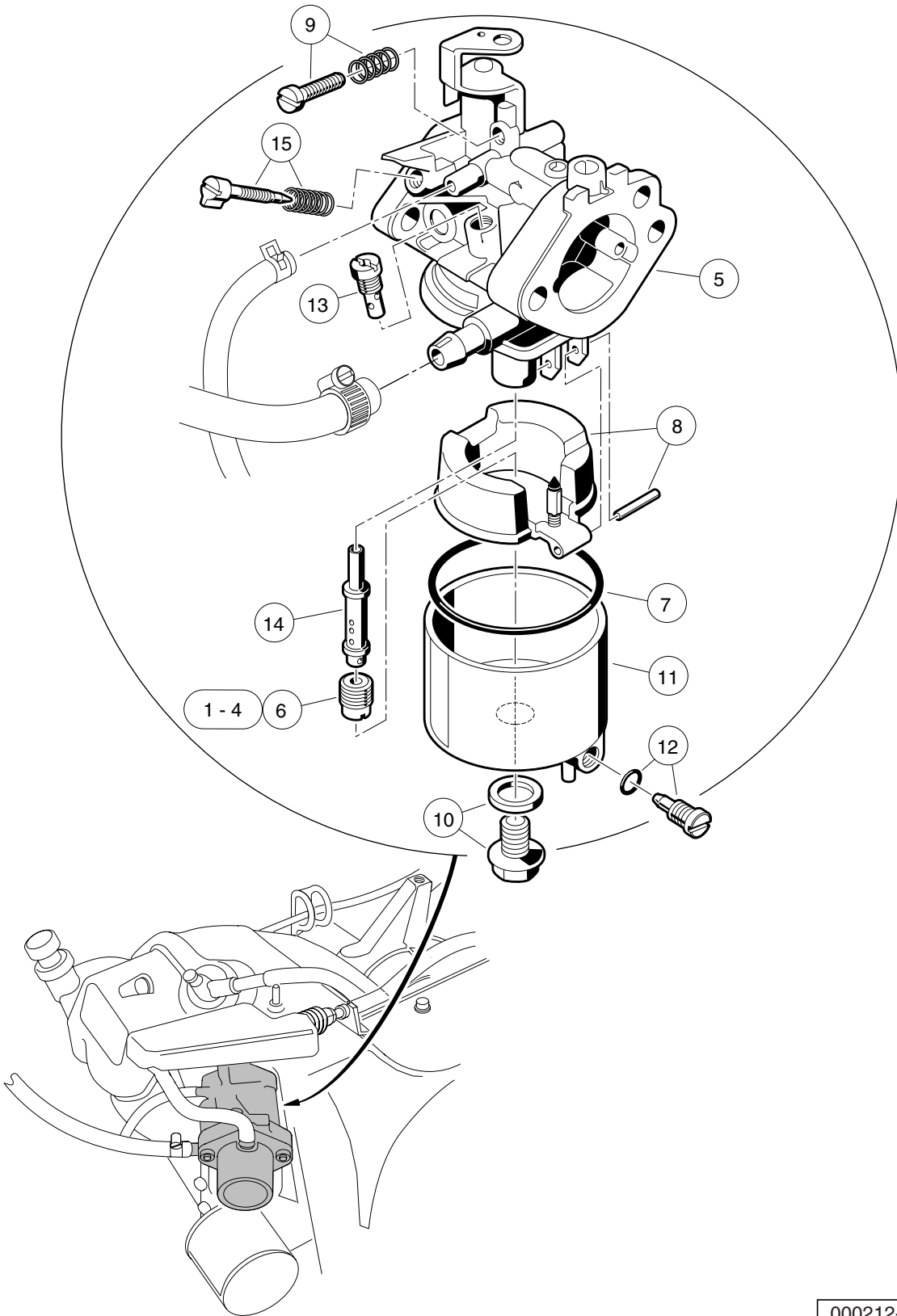


000602-002

# FUEL SYSTEM

**10**  
**G**

ITEM	PART NO.	DESCRIPTION	QTY
		<b>1 2 3 4</b>	
1	1014524	Kit, Impulse Pump Rebuild .....	1
2	N/A	Instl, Fuel Sys, Side Fill,ca2 (includes items 3 through 27) .....	1
3	1012285	Screw, 1/4 X 0.625 Hex-Head .....	4
4	1013687	Clamp, 3/8" Hose (screw type) .....	1
5	1013746	Clamp, 0.301 ID Hose .....	2
6	1014116	Nut, 1/4-20 Speed .....	1
7	1014523	Pump, Impulse Fuel .....	1
8	1015137	Fuel Line (available by the foot) .....	A/R
9	1016	Washer, #10 Split Lock .....	1
10	101824401	Vent Barb .....	1
11	101929501	Mount, Fuel Pump .....	1
12	102865101	Fuel Line .....	A/R
13	N/A	Asm, Fuel Filter 22.93" J1737 (includes items 14 through 17) .....	1
14	1012649	Clamp, 0.460 Red Hose .....	4
15	102003201	Filter, Fuel, 30 Micron .....	1
16	N/A	Cap, Plug, Plastic .....	2
17	102865101	Fuel Line .....	A/R
18	N/A	Asm, Fuel Filter 16.93" J1737 (includes items 19 through 22) .....	1
19	1012649	Clamp, 0.460 Red Hose .....	3
20	102003201	Filter, Fuel, 30 Micron .....	1
21	N/A	Cap, Plug, Plastic .....	2
22	102865101	Fuel Line .....	A/R
23	102977901	Bezel, Fuel Fill, 5.0 Dia .....	1
24	102978001	Strap, Fuel Tank, Side Fill .....	1
25	103306301	Screw, Bhsc, 1/4-20 X 2.0 .....	1
26	183	Washer, #10 Type A Flat .....	1
27	8797	Nut, #10-32 Brass Hex .....	1



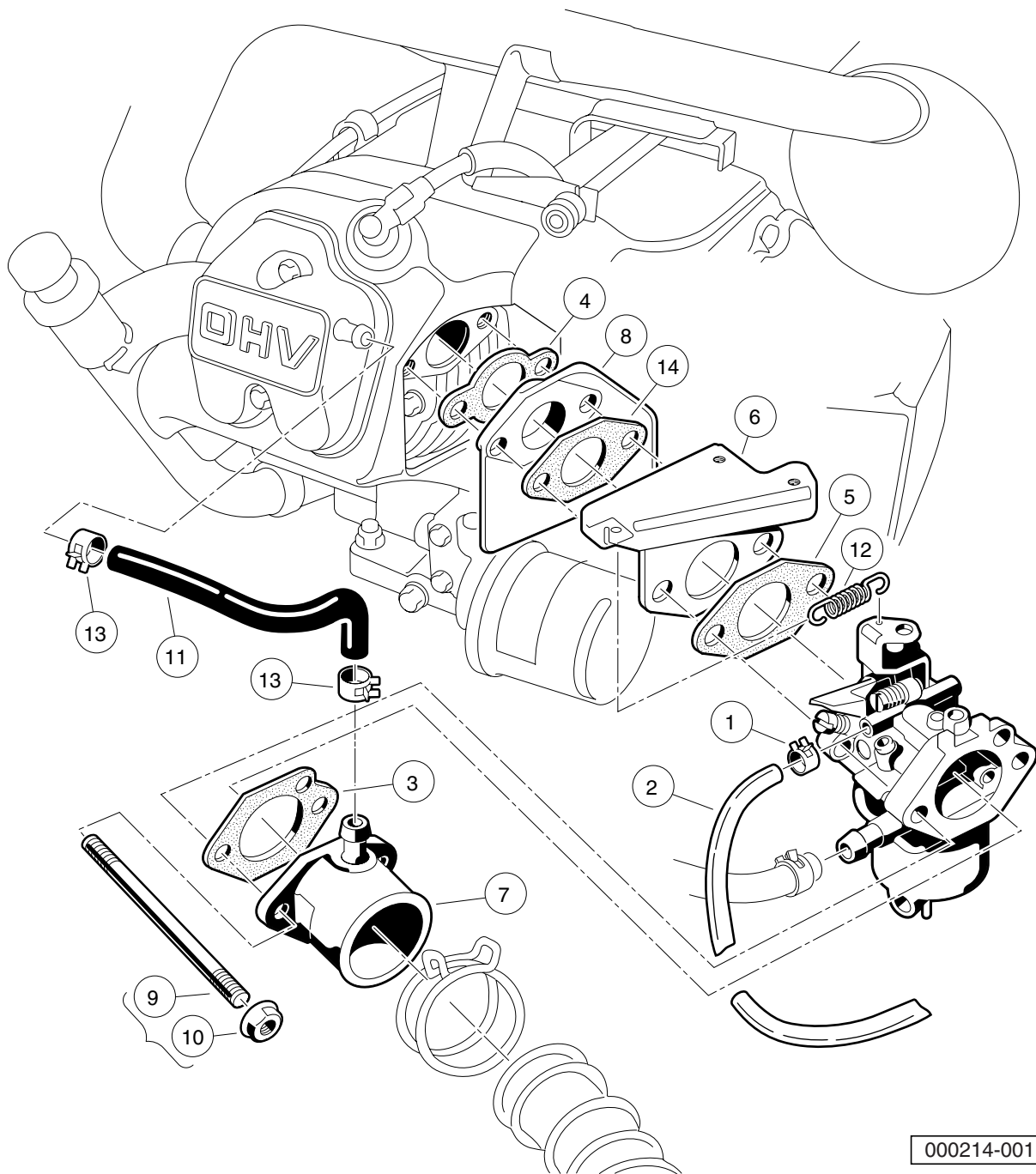
000212-001

# CARBURETOR ASSEMBLY – FE350

ITEM	PART NO.	DESCRIPTION	QTY
		1 2 3 4	
1	101642575	Jet, Altitude, # 75 .....	A/R
2	101642578	Jet, Altitude, # 78 .....	A/R
3	101642580	Jet, Altitude, # 80 .....	A/R
4	101642582	Jet, Altitude, # 82 .....	A/R
5	101905901	Carburetor, FE350D (includes items 6 through 15) .....	1
6	101642585	Jet, Altitude, # 85 .....	1
7	1016437	Gasket, Carburetor Bowl OHV .....	1
8	1016486	Float Assembly .....	1
9	1016501	Screw Assembly .....	1
10	1016585	Bolt .....	1
11	1017461	Chamber Assembly, Float (includes item 12) .....	1
12	1016499	Screw Assembly .....	1
13	101973101	Jet, #40 Pilot .....	1
14	101973301	Nozzle, Main .....	1
15	N/A	Assembly, Pilot Air Screw .....	1
<p style="margin: 0;">Note: 101642585 for 0 - 3,000 feet; 101642582 for 3,000 - 5,000 feet;            101642580 for 5,000 - 8,000 feet; 101642578 for 8,000 - 10,000 feet;            101642575 for 10,000 feet and higher.</p>			

10

G



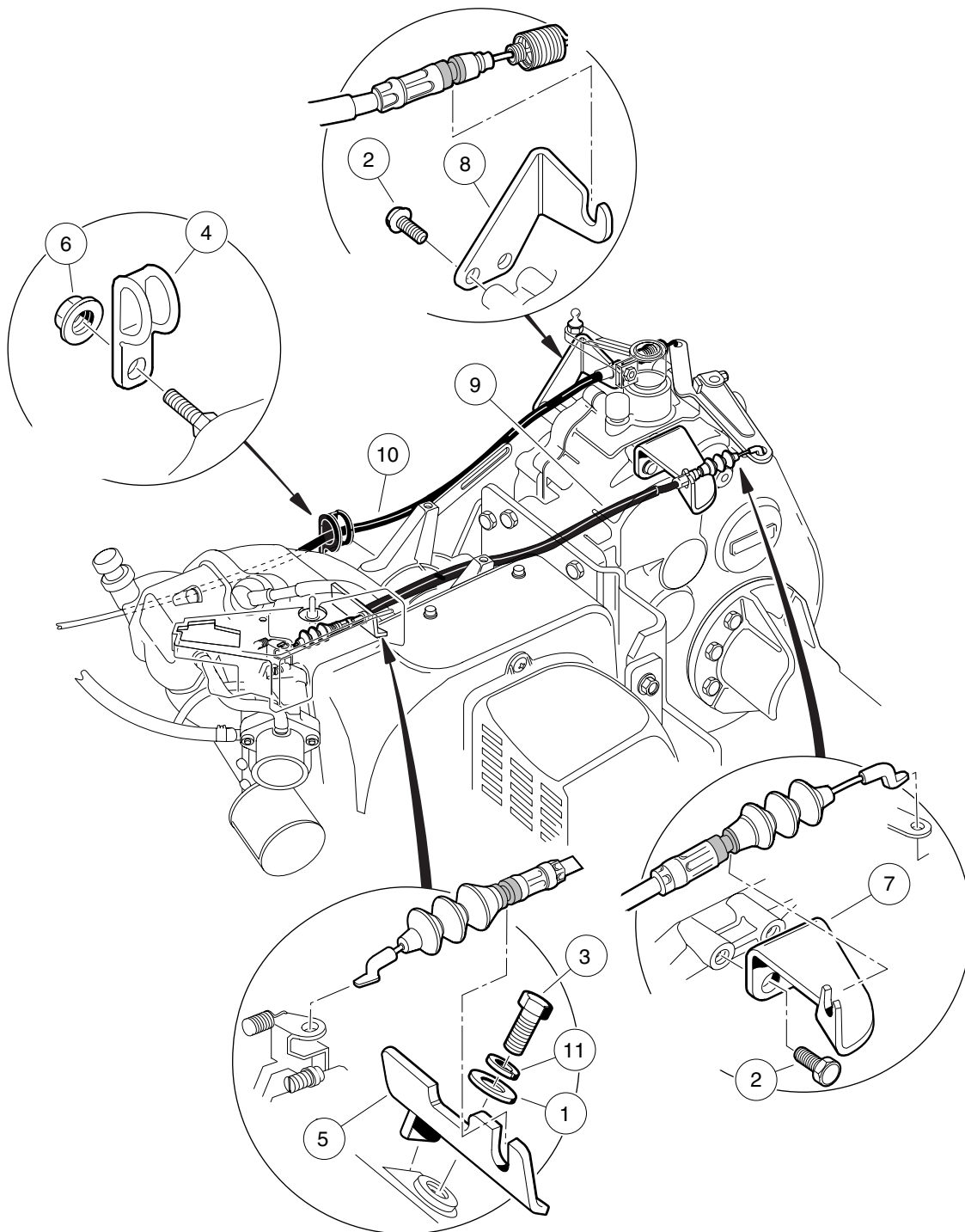
000214-001



## CARBURETOR INSTALLATION – FE350

ITEM	PART NO.	DESCRIPTION	QTY
		1 2 3 4	
1	1013746	Clamp, 0.301 ID Hose .....	1
2	1015137	Fuel Line (available by the foot) .....	A/R
3	1016438	Gasket, Carb To Intake Manifold .....	1
4	1016440	Gasket, Engine to Insulator .....	1
5	1016441	Gasket, Sprg Brkt To Carb OHV .....	1
6	1016444	Bracket, Throttle Spring Return .....	1
7	1016480	Pipe, Intake Manifold .....	1
8	101648102	Insulator, Carburetor .....	1
9	101649002	Stud, M6-1.00 Two-Ended .....	2
10	1016547	Nut .....	2
11	1016572	Tube, Crankcase Vent .....	1
12	1016582	Spring, Throttle Return .....	1
13	1017466	Clamp .....	2
14	101973401	Gasket, Insulator To Bracket .....	1

**10**  
**G**



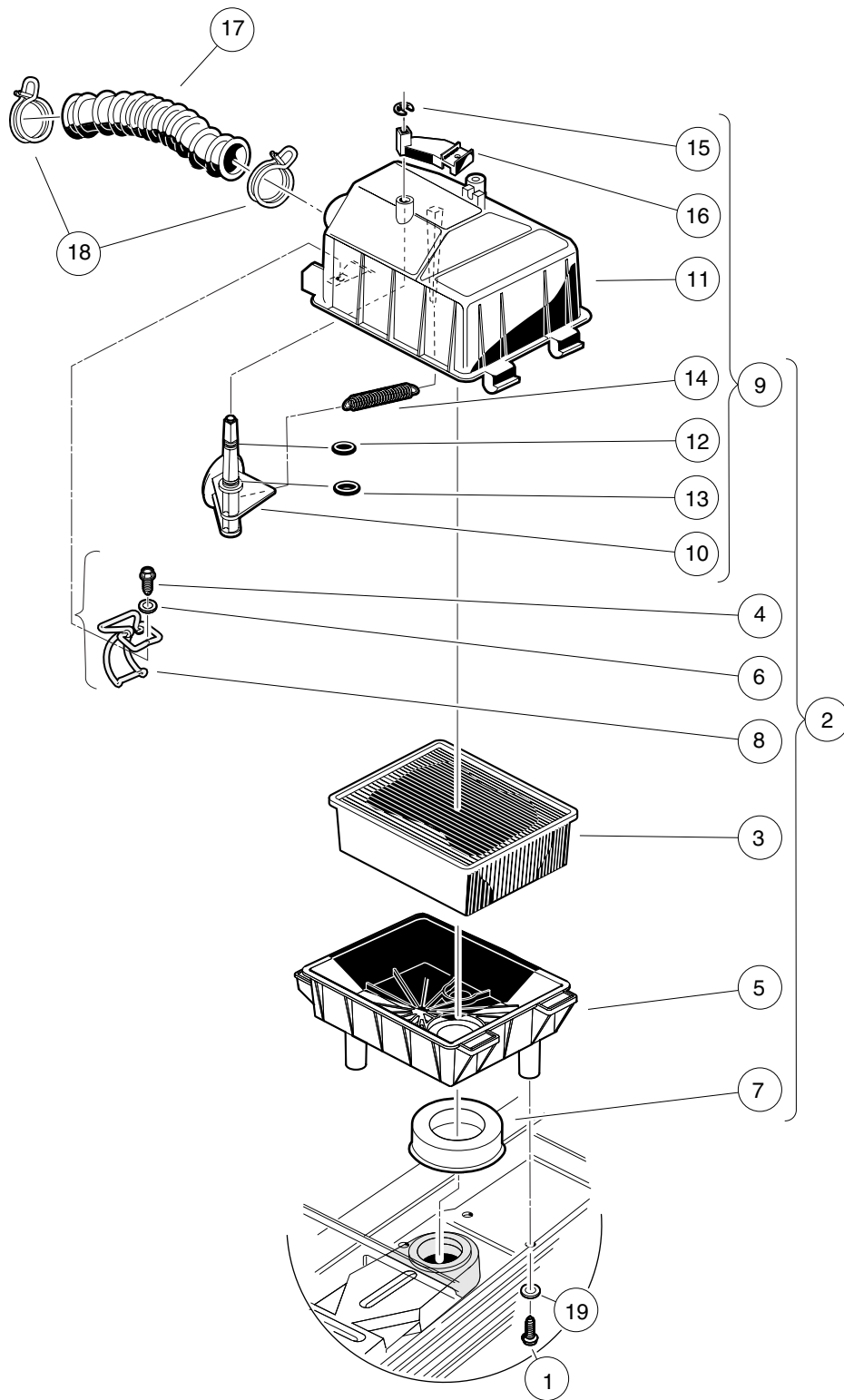
000215-001

# GOVERNOR AND ACCELERATOR CABLES

ITEM	PART NO.	DESCRIPTION	QTY
		1 2 3 4	
1	1011697	Washer, 5/16 Flat .....	1
2	1012285	Screw, 1/4 X 0.625 Hex-Head .....	4
3	1012830	Screw, M8-125 X 22 Hex-Head .....	1
4	1013700	Clamp .....	2
5	101584502	Bracket, Governor Cable Snap-In .....	1
6	1016546	Nut .....	2
7	101832202	Bracket, Rear Governor Cable Snap-In .....	1
8	101832302	Bracket, Rear Accelerator Cable Snap-In .....	1
9	102336001	Cable, Governor, Snap-In .....	1
10	102336101	Cable, Accelerator, Snap-In .....	1
11	7174	Lockwasher, 5/16 Split .....	1

10

G



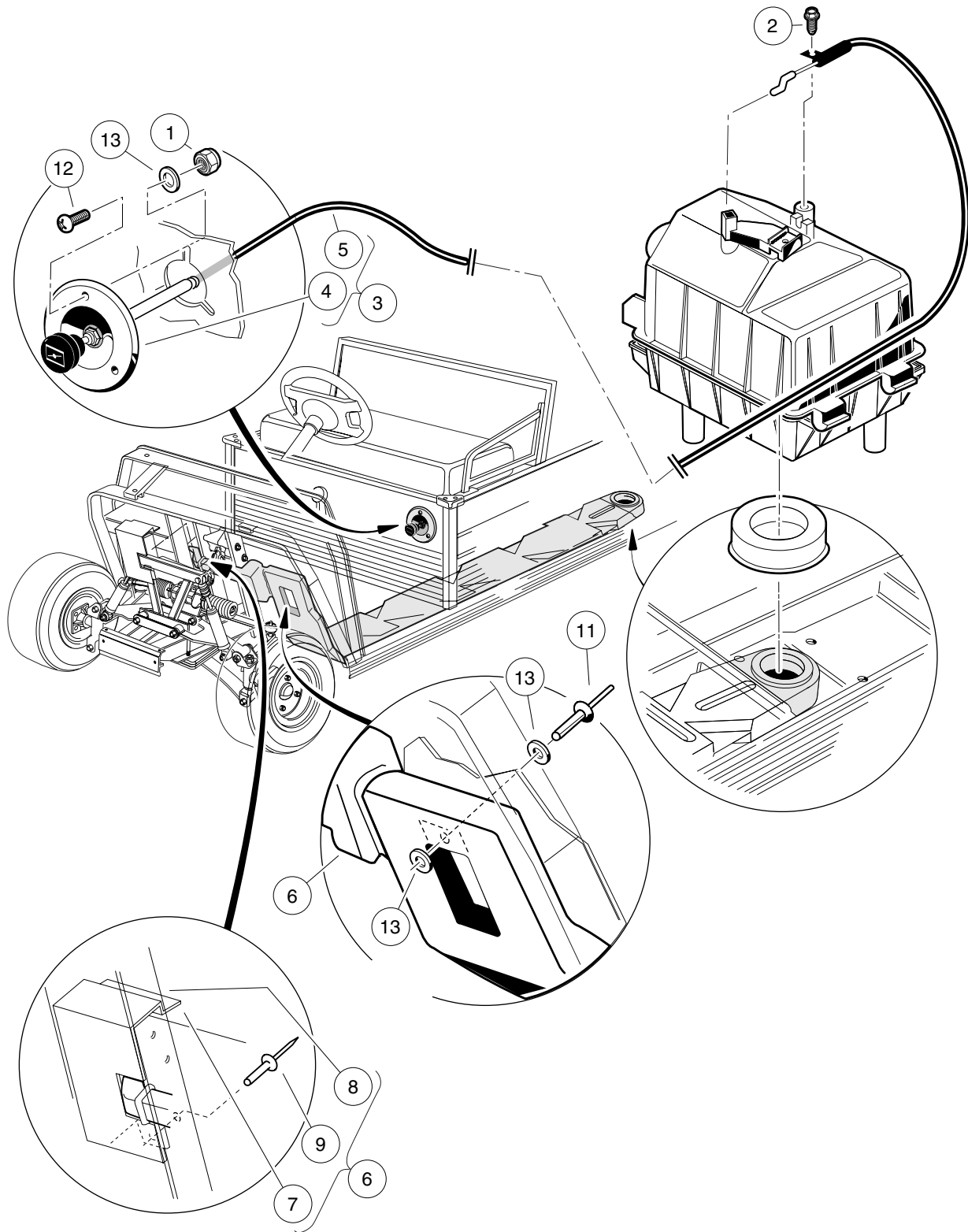
000332-001

# AIR BOX AND INTAKE HOSE

ITEM	PART NO.	DESCRIPTION	QTY
		<b>1 2 3 4</b>	
1	1015752	Screw, #12-16 X 0.625 Hi-Lo .....	3
2	101821501	Assembly, Air Box (includes items 3 through 9) .....	1
3	1015426	Filter, Air .....	1
4	101804301	Screw, #8 X 0.500, Hex-Head Hi-Lo .....	2
5	101811901	Bottom, Air Box .....	1
6	101881701	Washer, #8 Stainless-Steel Flat .....	2
7	101921501	Seal, Intake .....	1
8	101925701	Latch, Wireform .....	2
9	101972801	Top Assy, Air Box (includes items 10 through 16) .....	1
10	N/A	Valve, Choke .....	1
11	N/A	Top, Air Box .....	1
12	N/A	O-Ring, 5/16 .....	1
13	N/A	O-Ring, 3/8 .....	1
14	101812301	Spring, Extension Return .....	1
15	101813001	Retaining Ring 0.25, Shaft .....	1
16	101917601	Lever, Choke .....	1
17	101837101	Hose, Air Intake .....	1
18	101971301	Clamp, 1.58" ID Hose .....	2
19	332	Washer, 1/4 Type A Narrow Flat .....	3

10

G



000338-002

# INTAKE SYSTEM

ITEM	PART NO.	DESCRIPTION	QTY
		1 2 3 4	
1	1012438	Locknut, #10-24 Nylon Insert .....	3
2	101804301	Screw, #8 X 0.500, Hex-Head Hi-Lo .....	1
3	101926801	Cable, Choke (includes items 4 and 5) .....	1
4	101933701	Bezel, Choke Cable .....	1
5	N/A	Choke Cable without Bezel, Short .....	1
6	101958102	Duct Assembly .....	1
7	102190702	Kit, Air Duct Shield (includes items 8 through 10) .....	1
8	102185401	Tape, 3M VHB 4950 .....	A/R
9	N/A	Shield, Air Duct .....	1
10	7973	Rivet, 3/16 X .400 Blind .....	1
11	1606	Rivet, 3/16 X .500 Alum Pop .....	2
12	1631	Screw, #10-24 X 0.75 Phillips Pan-Head .....	3
13	183	Washer, #10 Type A Flat .....	7

10

G

**10**

**G**

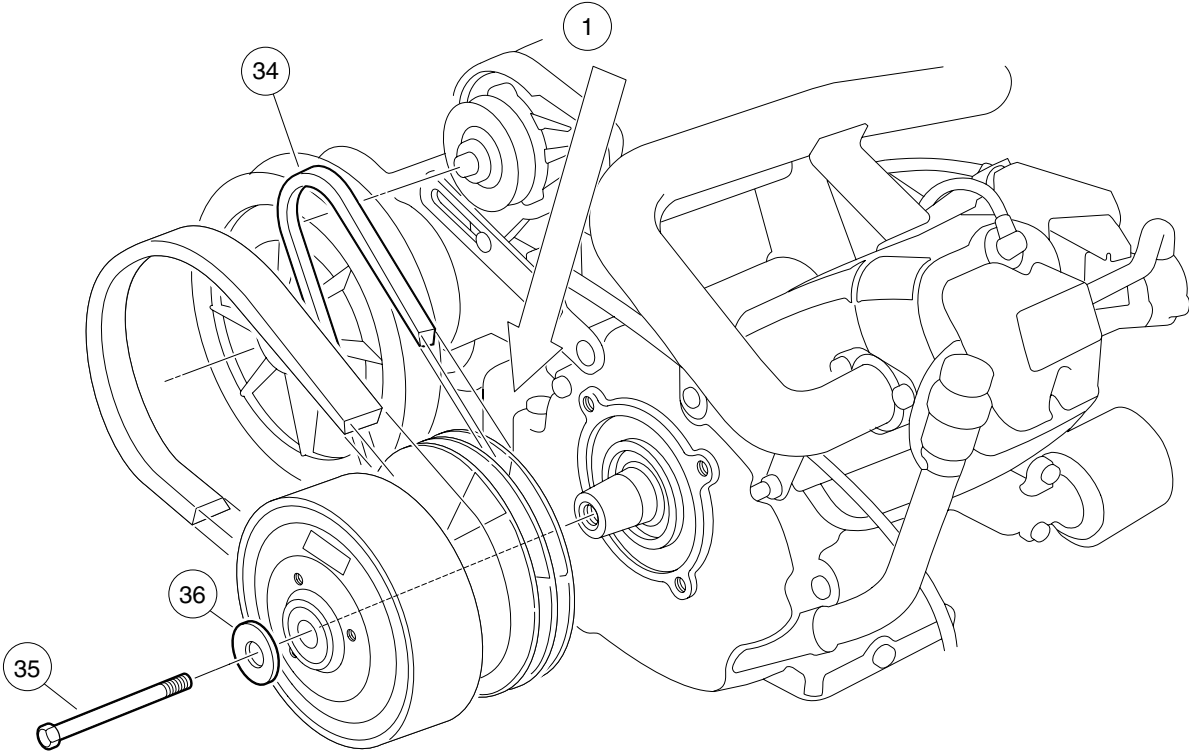
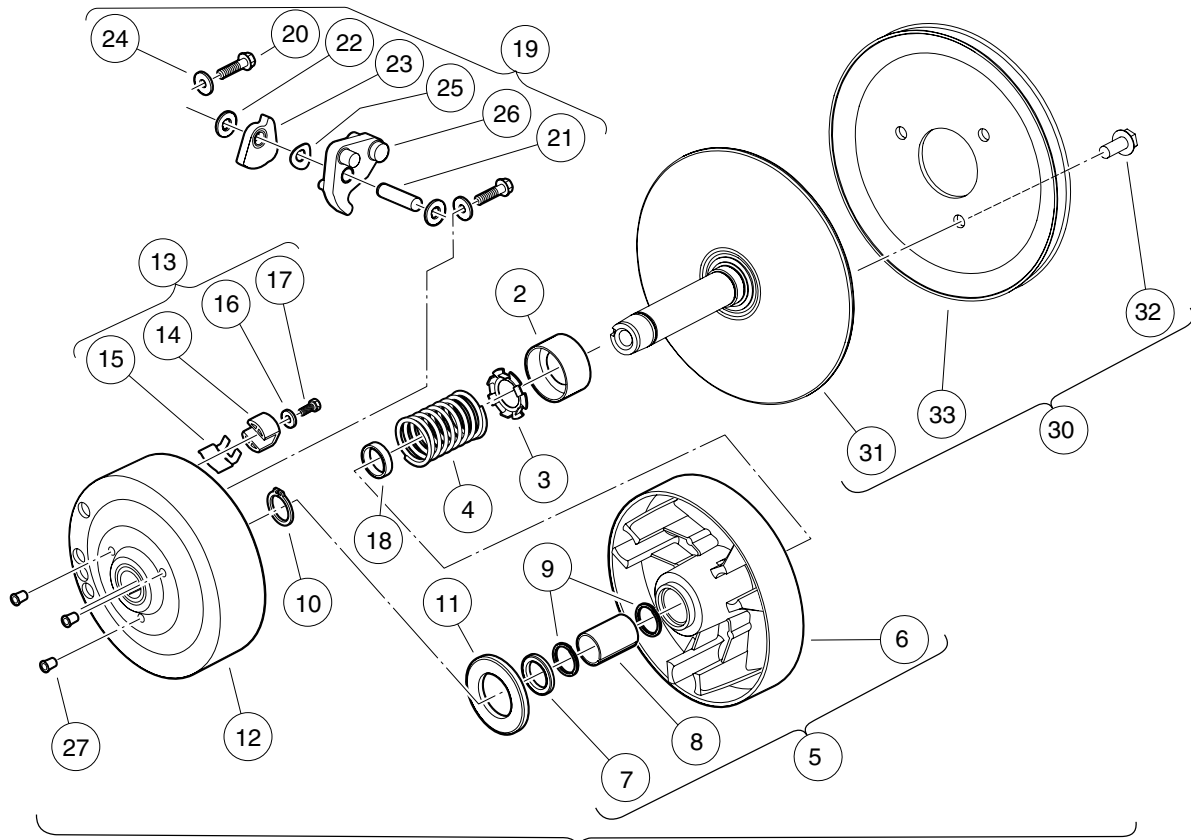


# TORQUE CONVERTER

---

11

G

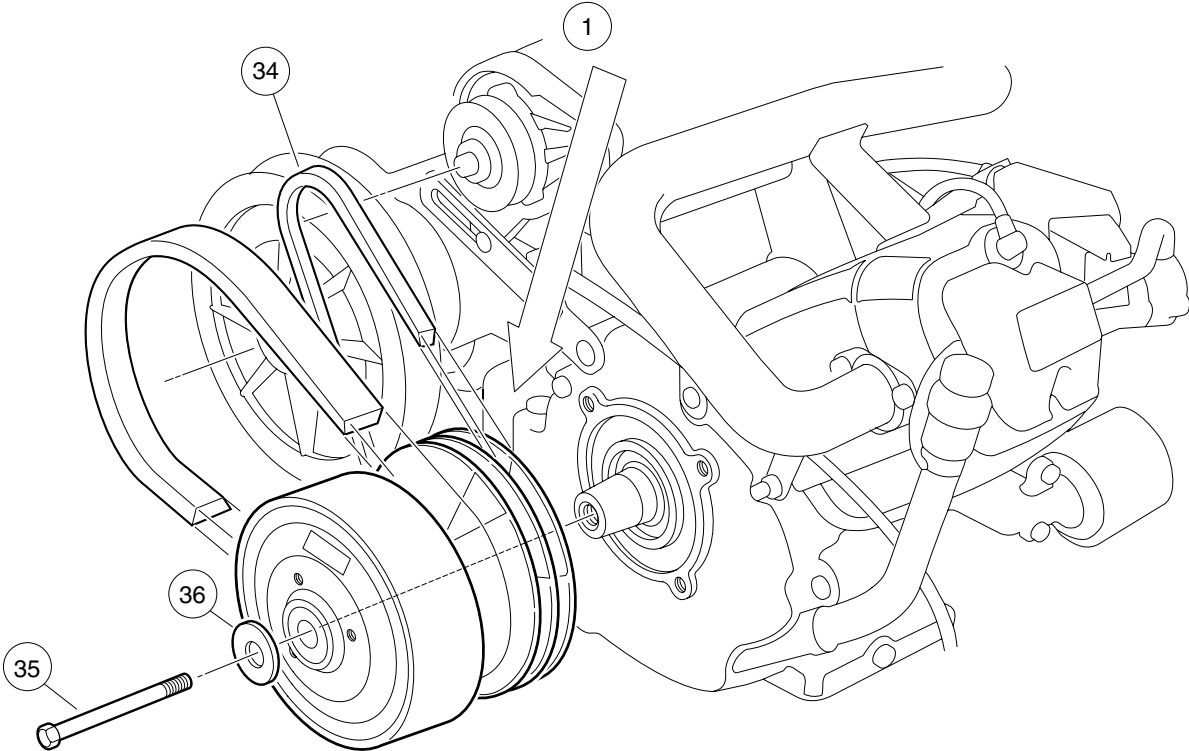
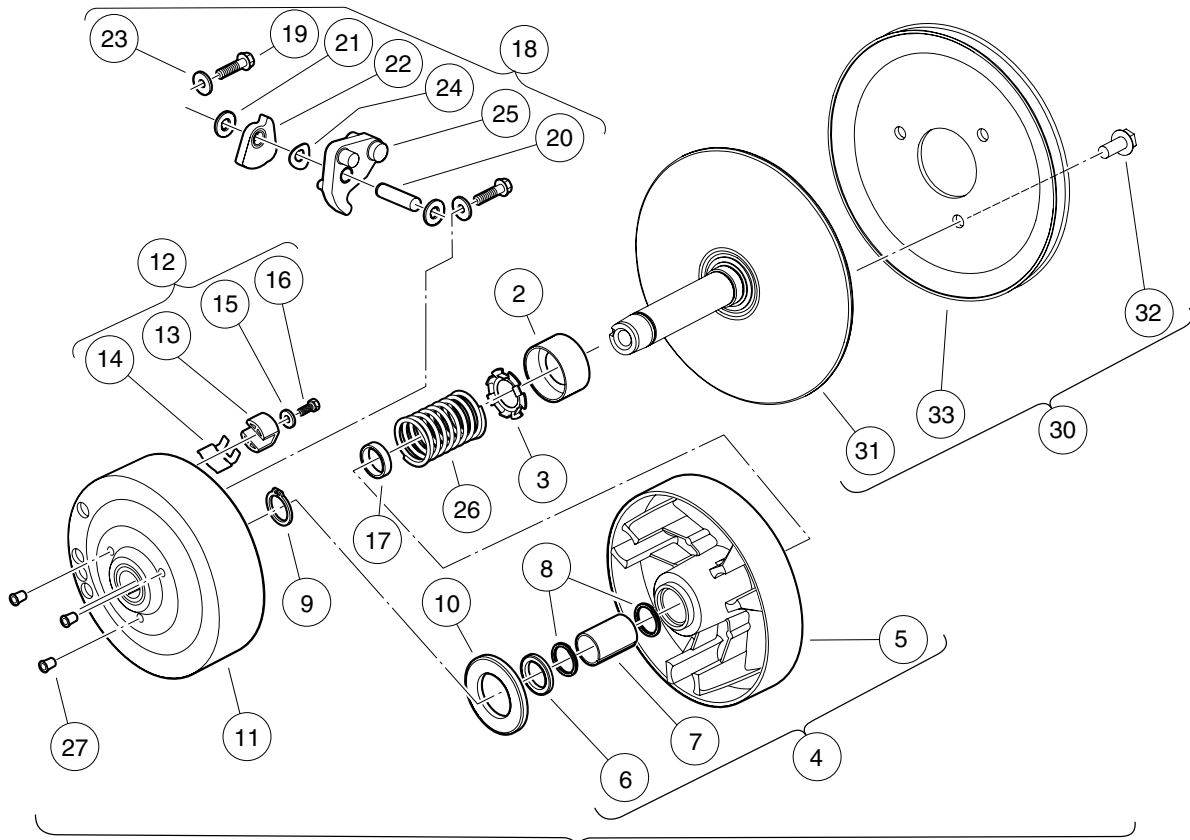


000217-001

## DRIVE CLUTCH – TURF/CARRYALL 2, AND 252

ITEM	PART NO.	DESCRIPTION	QTY
		1 2 3 4	
1	101833902	Clutch, Drive (includes items 2 through 28) .....	1
2	1014049	Bearing, Idler .....	1
3	1014050	Retainer, Spring .....	1
4	1014051	Spring, Drive Clutch .....	1
5	1014052	Movable-Face Assembly (includes items 6 through 8) .....	1
6	N/A	Drive Clutch Movable Face .....	1
7	1014055	Retainer .....	1
8	N/A	Bushing, Split, Drive Clutch .....	1
9	1014056	Ring, Spiral Backup .....	2
10	1014057	Ring, 0.810" Internal Retaining .....	1
11	1014058	Washer, Thrust .....	1
12	1014059	Drive Hub Assy, Drive Clutch .....	1
13	1014453	Kit, Drive Clutch Button (includes items 14 through 17) .....	1
14	1014062	Driver, Drive Clutch .....	3
15	1014287	Spring, Drive Button .....	3
16	183	Washer, #10 Type A Flat .....	3
17	8450	Screw, #10-24 X 0.50 Hex-Head .....	3
18	1016289	Spacer, Fixed Face Shaft .....	1
19	1016801	Kit, Drive Clutch Weight (includes items 20 through 26) .....	1
20	1014063	Screw, 1/4-20 X 1.00 Hex Head .....	6
21	N/A	Pin, 0.3752 X 1.50 Dowel .....	3
22	1014065	Washer, 0.38" ID Delrin Flat .....	6
23	N/A	Clutch Weight, Secondary .....	3
24	N/A	Washer .....	6
25	1016201	Washer, Wave .....	3
26	N/A	Weight, Primary .....	3
27	N/A	Plug, Drive Clutch .....	3
28	101929802	Kit, Fxd Face Dr Asm Fe290/350 (includes items 29 and 30) .....	1
29	N/A	Desiccant Bag (Not Shown) .....	1
30	N/A	Assembly, Fixed-Face Drive (includes items 31 through 33) .....	1
31	N/A	Fixed Face Assembly, Drive Clutch .....	1
32	1014288	Screw, 5/16-18 X 0.75 Thread-Forming .....	3
33	N/A	Pulley, Clutch .....	1
34	101916701	V-Belt .....	1
35	103345701	Screw 3/8-24x5.5 Hex Loc Ptch .....	1
36	808	Washer, 3/8 Type B Flat .....	1
		Note: Item 29 not shown.	

**11**  
**G**

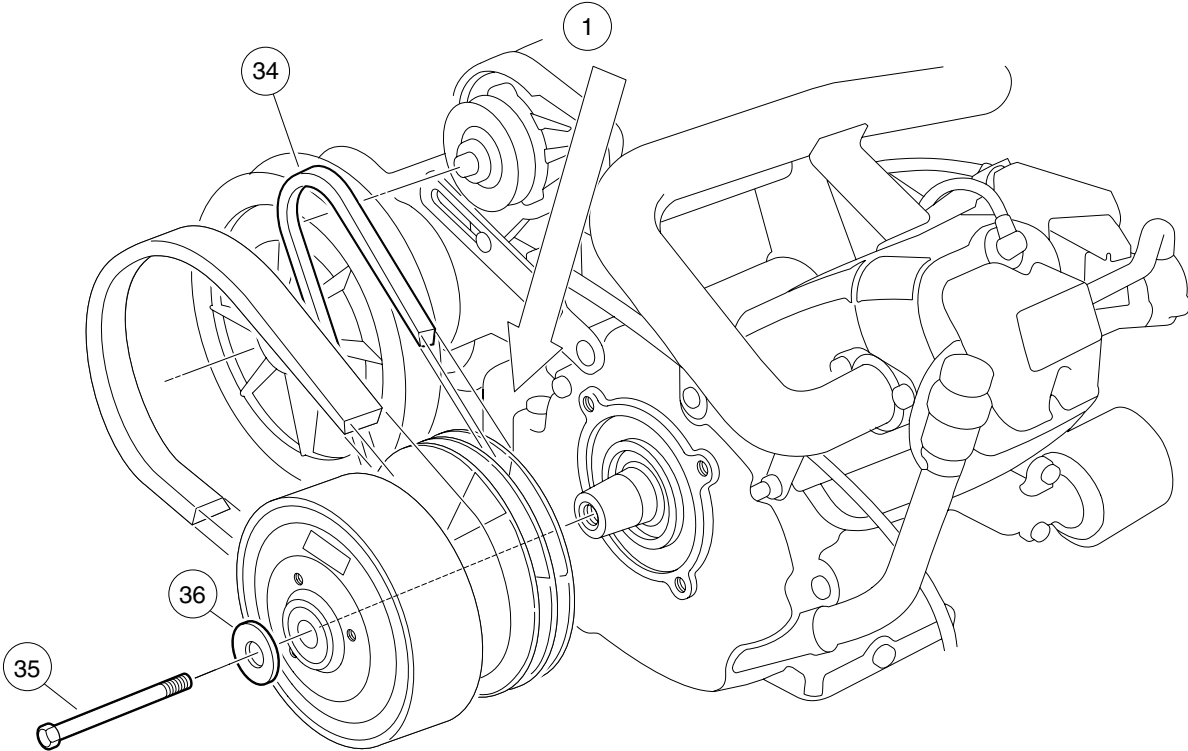
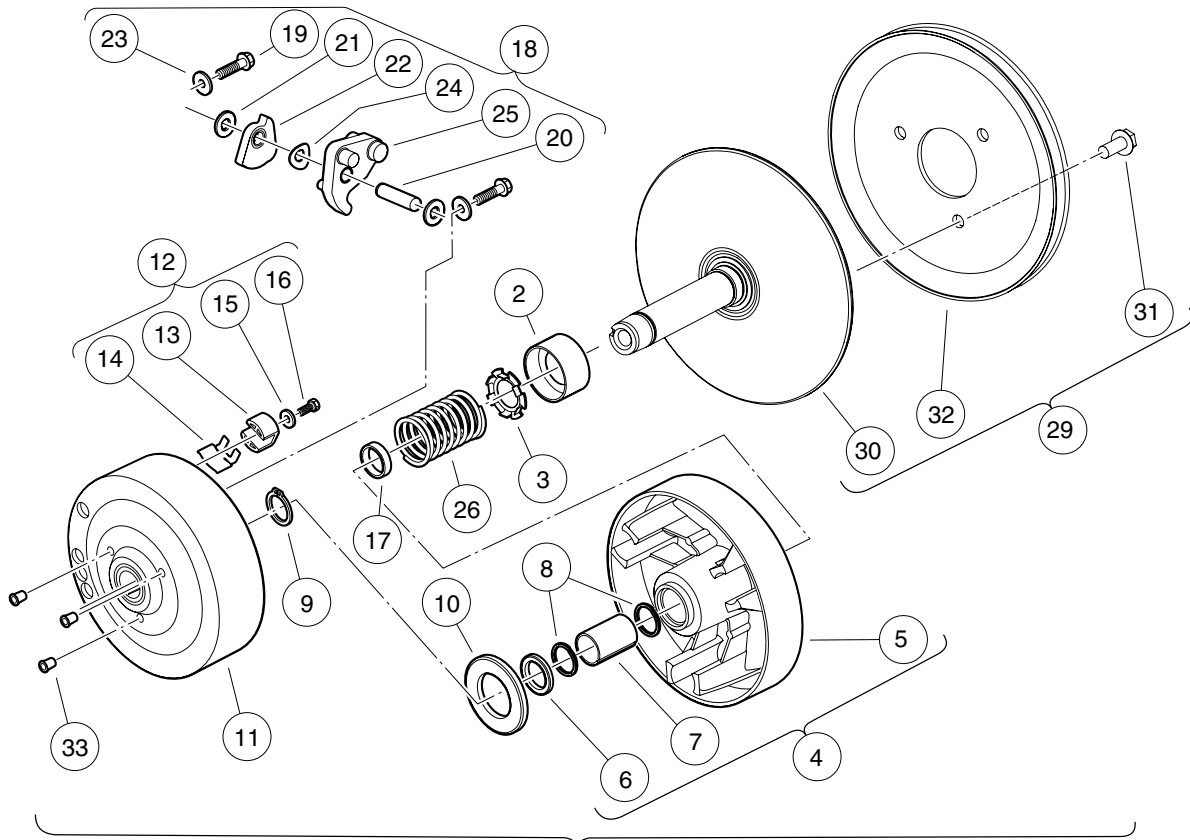


000217-003

# DRIVE CLUTCH – XRT 900

**11**  
**G**

ITEM	PART NO.	DESCRIPTION	QTY
		<b>1 2 3 4</b>	
1	101833906	Drive Clutch Assy. FE 350/272 (includes items 2 through 28) .....	1
2	1014049	Bearing, Idler .....	1
3	1014050	Retainer, Spring .....	1
4	1014052	Movable-Face Assembly (includes items 5 through 7) .....	1
5	N/A	Drive Clutch Movable Face .....	1
6	1014055	Retainer .....	1
7	N/A	Bushing, Split, Drive Clutch .....	1
8	1014056	Ring, Spiral Backup .....	2
9	1014057	Ring, 0.810" Internal Retaining .....	1
10	1014058	Washer, Thrust .....	1
11	1014059	Drive Hub Assy, Drive Clutch .....	1
12	1014453	Kit, Drive Clutch Button (includes items 13 through 16) .....	1
13	1014062	Driver, Drive Clutch .....	3
14	1014287	Spring, Drive Button .....	3
15	183	Washer, #10 Type A Flat .....	3
16	8450	Screw, #10-24 X 0.50 Hex-Head .....	3
17	1016289	Spacer, Fixed Face Shaft .....	1
18	1016801	Kit, Drive Clutch Weight (includes items 19 through 25) .....	1
19	1014063	Screw, 1/4-20 X 1.00 Hex Head .....	6
20	N/A	Pin, 0.3752 X 1.50 Dowel .....	3
21	1014065	Washer, 0.38" ID Delrin Flat .....	6
22	N/A	Clutch Weight, Secondary .....	3
23	N/A	Washer .....	6
24	1016201	Washer, Wave .....	3
25	N/A	Weight, Primary .....	3
26	1016901	Spring, Drive Clutch .....	1
27	N/A	Cap Plug .....	3
28	101929802	Kit, Fxd Face Dr Asm Fe290/350 (includes items 29 and 30) .....	1
29	N/A	Desiccant Bag (Not Shown) .....	1
30	N/A	Assembly, Fixed-Face Drive (includes items 31 through 33) .....	1
31	N/A	Fixed Face Assembly, Drive Clutch .....	1
32	1014288	Screw, 5/16-18 X 0.75 Thread-Forming .....	3
33	N/A	Pulley, Clutch .....	1
34	101916701	V-Belt .....	1
35	103345701	Screw 3/8-24x5.5 Hex Loc Ptch .....	1
36	808	Washer, 3/8 Type B Flat .....	1
		Note: Item 29 not shown.	



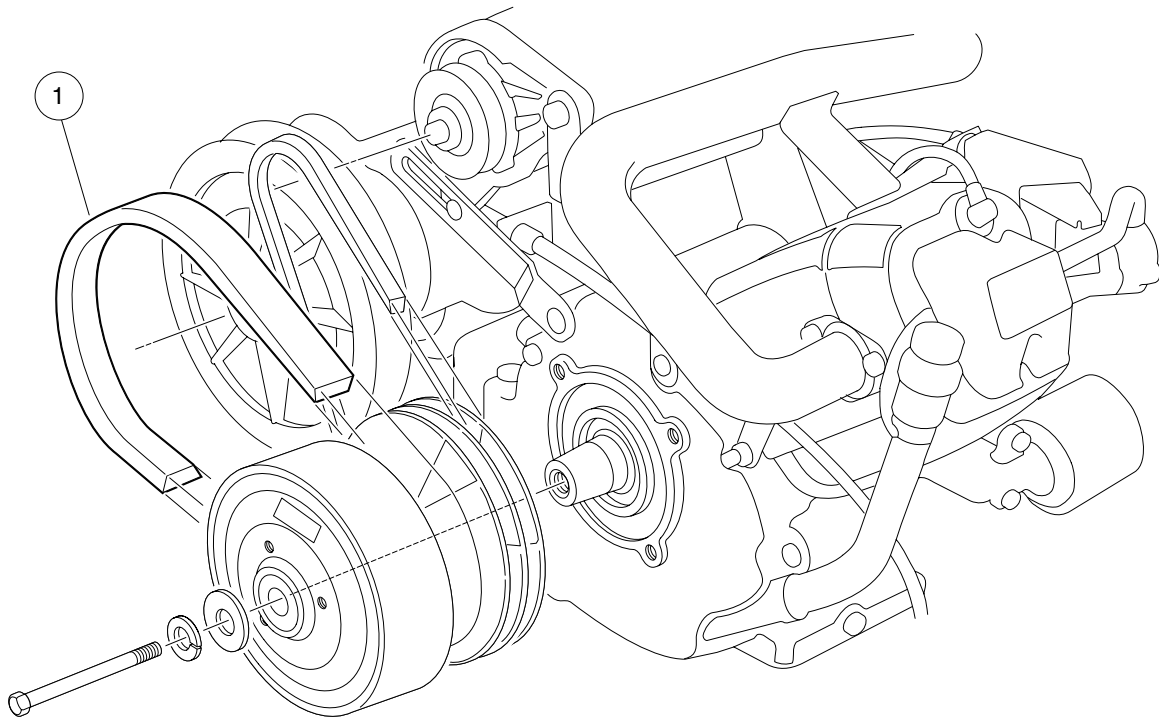
000217-002

# DRIVE CLUTCH – CARRYALL 2 PLUS

ITEM	PART NO.	DESCRIPTION	QTY
		1 2 3 4	
1	101833904	Assembly, Drive Clutch (includes items 2 through 33) .....	1
2	1014049	Bearing, Idler .....	1
3	1014050	Retainer, Spring .....	1
4	1014052	Movable-Face Assembly (includes items 5 through 7) .....	1
5	N/A	Drive Clutch Movable Face .....	1
6	1014055	Retainer .....	1
7	N/A	Bushing, Split, Drive Clutch .....	1
8	1014056	Ring, Spiral Backup .....	2
9	1014057	Ring, 0.810" Internal Retaining .....	1
10	1014058	Washer, Thrust .....	1
11	1014059	Drive Hub Assy, Drive Clutch .....	1
12	1014453	Kit, Drive Clutch Button (includes items 13 through 16) .....	1
13	1014062	Driver, Drive Clutch .....	3
14	1014287	Spring, Drive Button .....	3
15	183	Washer, #10 Type A Flat .....	3
16	8450	Screw, #10-24 X 0.50 Hex-Head .....	3
17	1016289	Spacer, Fixed Face Shaft .....	1
18	1016801	Kit, Drive Clutch Weight (includes items 19 through 25) .....	1
19	1014063	Screw, 1/4-20 X 1.00 Hex Head .....	6
20	N/A	Pin, 0.3752 X 1.50 Dowel .....	3
21	1014065	Washer, 0.38" ID Delrin Flat .....	6
22	N/A	Clutch Weight, Secondary .....	3
23	N/A	Washer .....	6
24	1016201	Washer, Wave .....	3
25	N/A	Weight, Primary .....	3
26	1016901	Spring, Drive Clutch .....	1
27	101738302	Kit, Fixed Face - Drive (includes items 28 and 29) .....	1
28	N/A	Desiccant Bag (Not Shown) .....	1
29	N/A	Fixed Face Drive (includes items 30 through 32) .....	1
30	N/A	Fixed Face Assembly, Drive Clutch .....	1
31	1014288	Screw, 5/16-18 X 0.75 Thread-Forming .....	3
32	N/A	Pulley, Drive Clutch .....	1
33	N/A	Cap Plug .....	3
34	101916701	V-Belt .....	1
35	103345701	Screw 3/8-24x5.5 Hex Loc Ptch .....	1
36	808	Washer, 3/8 Type B Flat .....	1
		Note: Item 28 not shown.	

11

G



000218-001

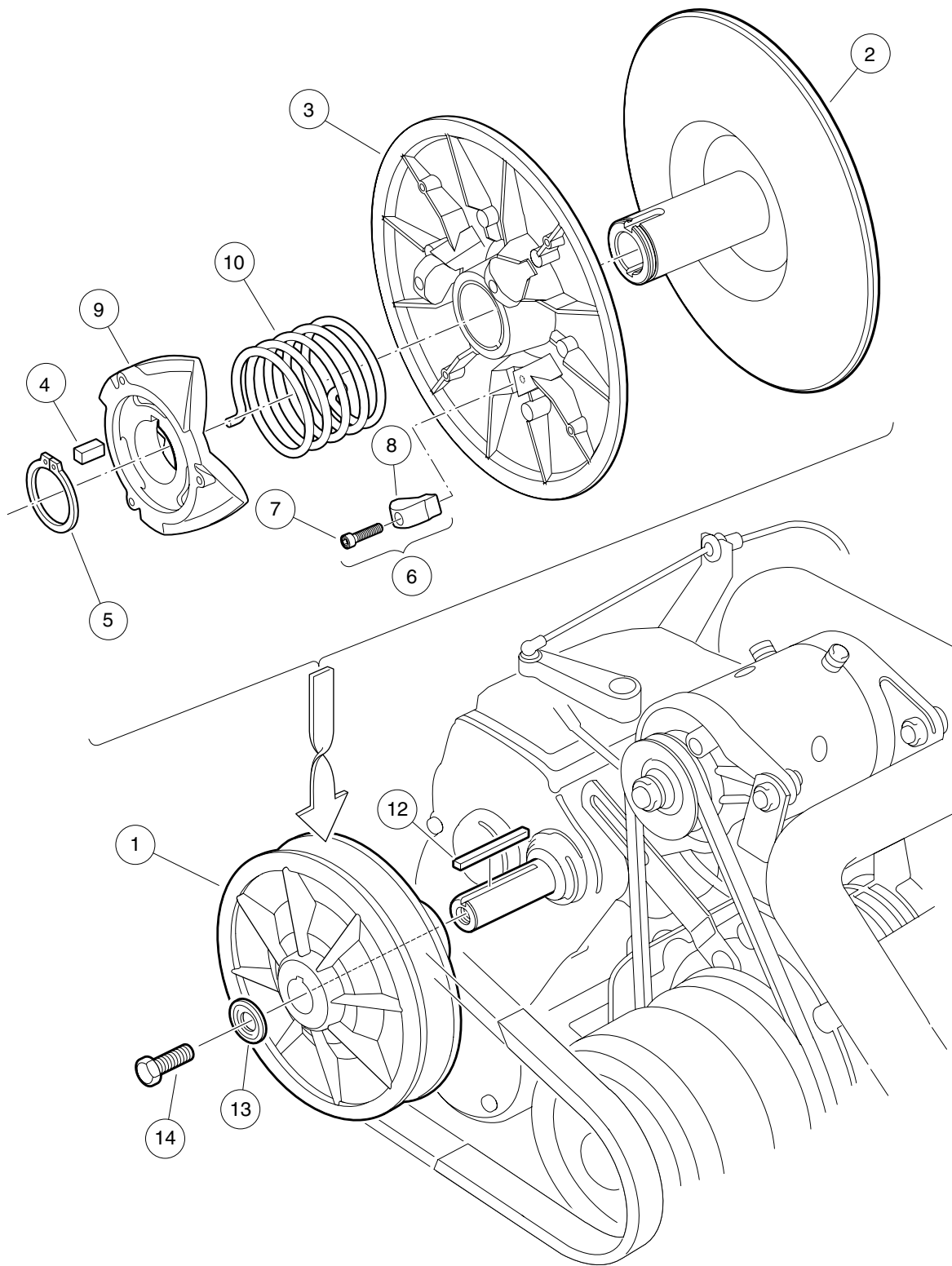


# DRIVE BELT – FE350

ITEM	PART NO.	DESCRIPTION	QTY
1	1017188	<div style="display: flex; justify-content: space-between; margin-bottom: 5px;"> <span>1</span> <span>2</span> <span>3</span> <span>4</span> </div> Belt, Drive (FE350) .....	1

11

G

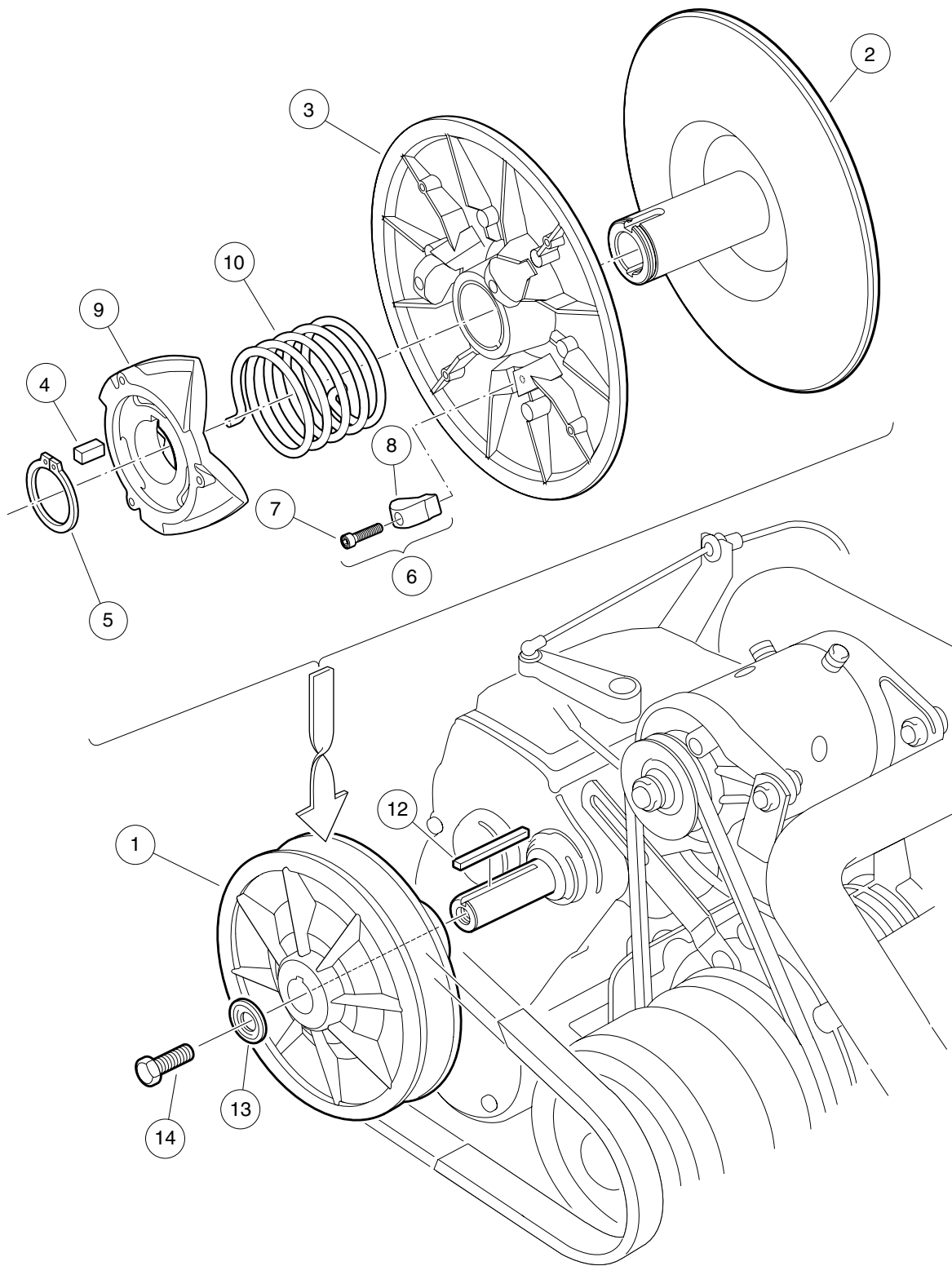


000219-001

## DRIVEN CLUTCH – TURF/CARRYALL 2, 252

ITEM	PART NO.	DESCRIPTION	QTY
		1 2 3 4	
1	101834001	Assembly, Driven Clutch (includes items 2 through 10) .....	1
2	1014070	Fixed Face Assy, Driven Clutch .....	1
3	1014072	Movable-Face Assembly with Bushing .....	1
4	1014078	Key, Driven Clutch .....	1
5	1014080	Ring, Retaining .....	1
6	1014454	Kit, Driven Clutch Button (includes items 7 and 8) .....	1
7	1012836	Screw, #8-32 X 3/4 Socket-Head Cap .....	3
8	N/A	Button, Drive .....	3
9	1017686	Cam, Driven Clutch .....	1
10	101836201	Spring, Driven Clutch, Reversed .....	1
11	AM10419	Kit, Clutch Repair (includes items 12 through 14) .....	1
12	101833401	Key, 3/16 Sq X 1.50" .....	1
13	N/A	Washer, Driven Clutch .....	1
14	102242101	Screw, 5/16-18 X 3/4 Hex-Head with Patch .....	1

**11**  
**G**



000219-001

## DRIVEN CLUTCH – CARRYALL 2 PLUS, AND XRT 900

ITEM	PART NO.	DESCRIPTION	QTY
		1 2 3 4	
1	101834003	Clutch, Driven (includes items 2 through 10) .....	1
2	1014070	Fixed Face Assy, Driven Clutch .....	1
3	1014072	Movable-Face Assembly with Bushing .....	1
4	1014078	Key, Driven Clutch .....	1
5	1014080	Ring, Retaining .....	1
6	1014454	Kit, Driven Clutch Button (includes items 7 and 8) .....	1
7	1012836	Screw, #8-32 X 3/4 Socket-Head Cap .....	3
8	N/A	Button, Drive .....	3
9	1017686	Cam, Driven Clutch .....	1
10	101836202	Spring, Driven Clutch, Reversed .....	1
11	AM10419	Kit, Clutch Repair (includes items 12 through 14) .....	1
12	101833401	Key, 3/16 Sq X 1.50" .....	1
13	N/A	Washer, Driven Clutch .....	1
14	102242101	Screw, 5/16-18 X 3/4 Hex-Head with Patch .....	1

11

G

11

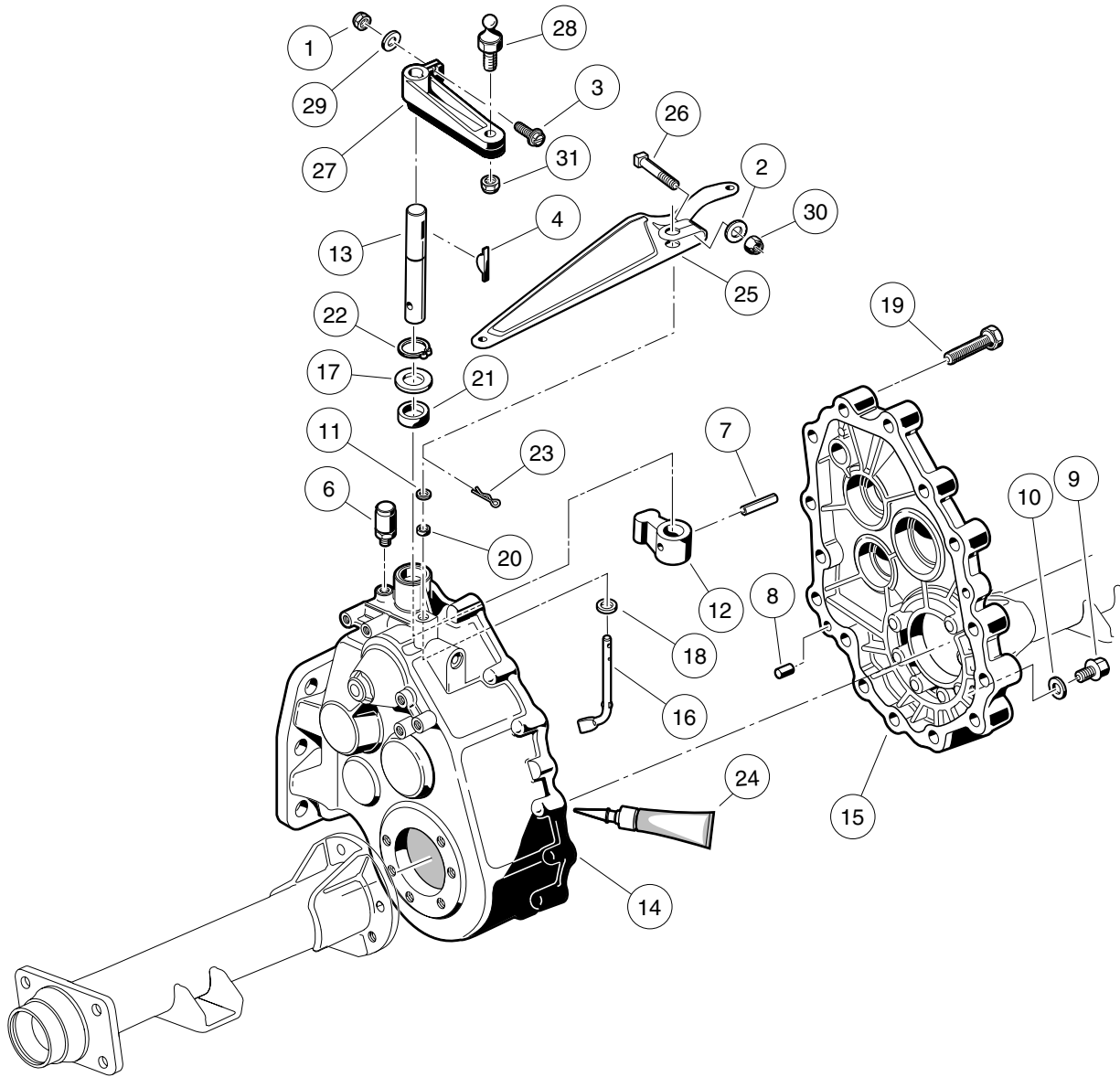
G

# UNITIZED TRANSAXLE

---

12

G



000220-002

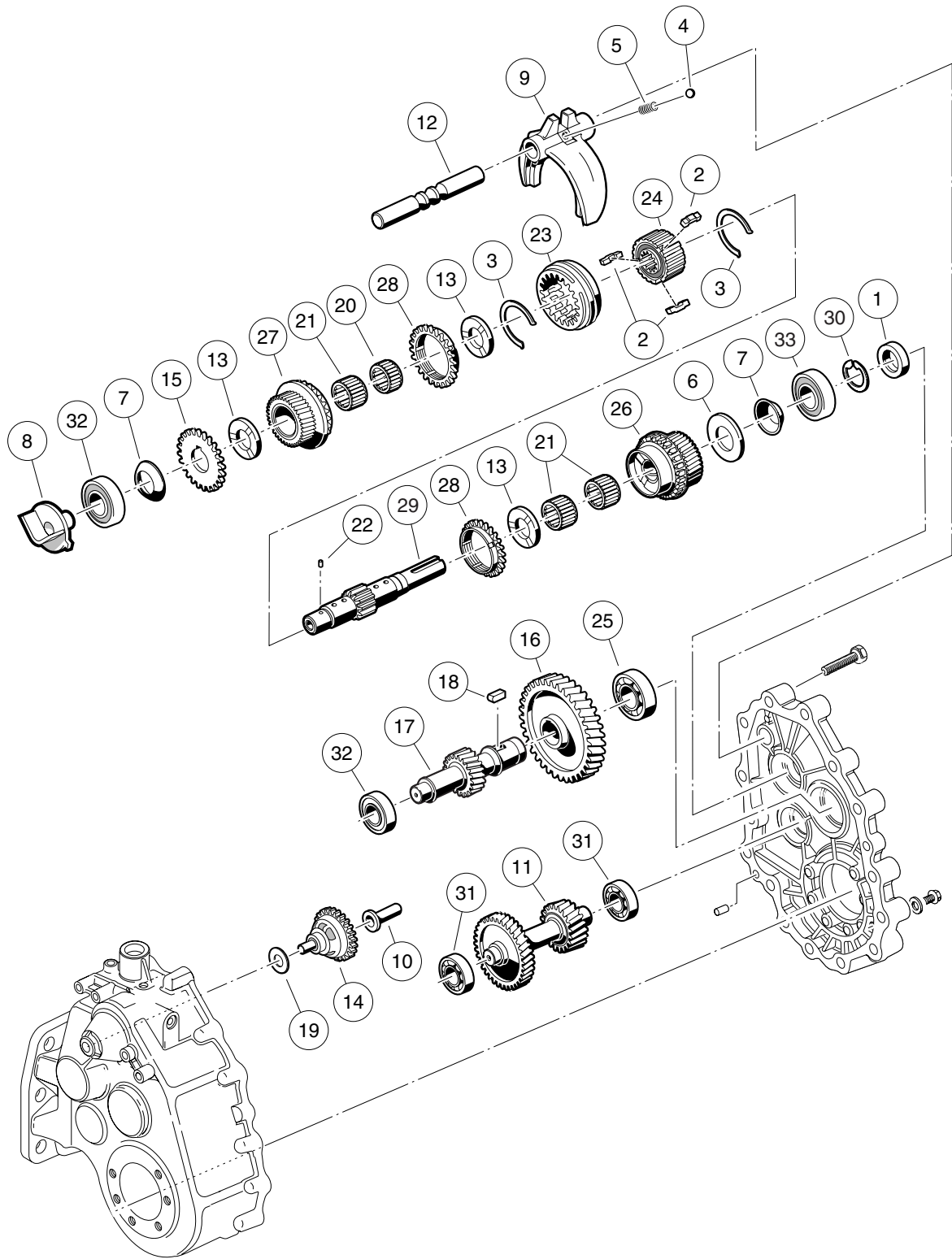


# UNITIZED TRANSAXLE – GEAR CASES AND BRACKETS

ITEM	PART NO.	DESCRIPTION	QTY
		1 2 3 4	
1	1013061	Locknut, #10-32 Nylon Insert .....	1
2	1014007	Washer, 1/4 Flat .....	1
3	1017082	Screw, #10-32 X 0.75, Hex-Head Machine .....	1
4	1017231	Key, Woodruff .....	1
5	101833601	Transaxle, 11.77 Ratio (includes items 6 through 24) .....	1
6	1012711	Breather .....	1
7	1012752	Roll Pin .....	1
8	1012896	Pin, Dowel .....	2
9	1013760	Fill Plug .....	2
10	1016432	Gasket, Drain Plug .....	1
11	1016513	Washer, M6 Flat .....	1
12	101890101	Lever, Change .....	1
13	101890201	Shaft - Change .....	1
14	101890501	Gear Case (driver side) .....	1
15	101890601	Gear Case (passenger side) .....	1
16	101891301	Arm Pivot .....	1
17	101892901	Washer .....	1
18	101893801	Washer .....	1
19	101926901	Screw, M8-1.25 X 40mm Hex-Head .....	15
20	101927101	Seal, Oil .....	1
21	101927201	Seal, Oil .....	1
22	101927301	Snap Ring .....	1
23	101928601	Pin, Cotter .....	1
24	101928701	Liquid Gasket (Transaxle case) .....	A/R
25	101834801	Arm, Governor .....	1
26	101886101	Screw, 1/4-20 X 1.00 Square-Head .....	1
27	102515401	Lever, Transmission Shift .....	1
28	102526201	Stud, Thread, 1/4-28 .....	1
29	183	Washer, #10 Type A Flat .....	1
30	8233	Locknut, 1/4-20 Nylon Insert .....	1
31	8717	Locknut, 1/4-28 Nylon Insert .....	1
Note: Unitized transaxle component listings span several pages.			

12

G



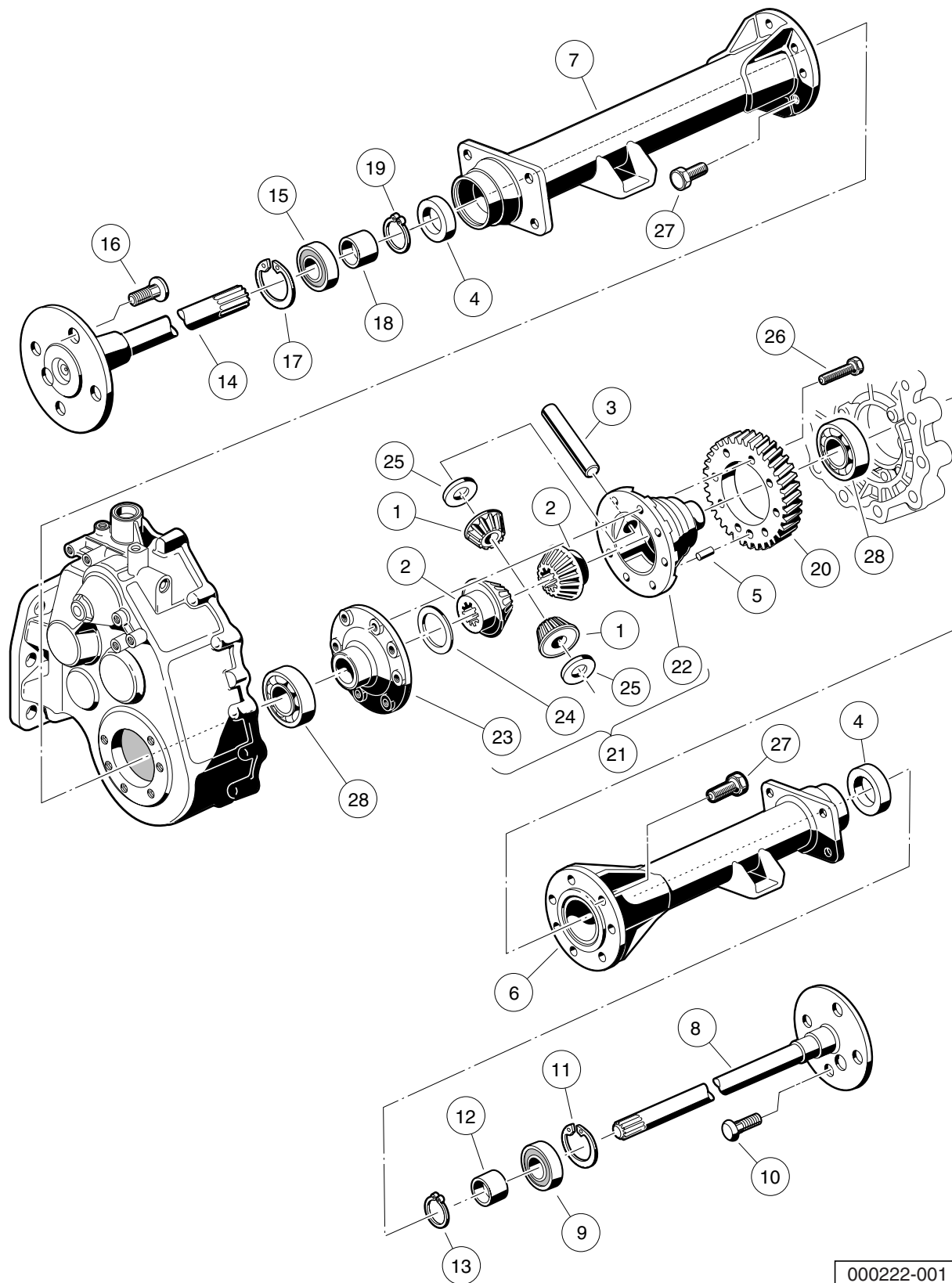
000221-001

# TRANSAXLE – TRANSMISSION AND GEAR REDUCTION

ITEM	PART NO.	DESCRIPTION	QTY
		1 2 3 4	
1	1012714	Oil Seal .....	1
2	1012740	Synchro Insert .....	3
3	1012741	Synchro Spring .....	2
4	1012747	Shifter Ball .....	1
5	1012748	Shifter Spring .....	1
6	1016337	Washer, Thrust .....	1
7	1016338	Washer, Spring .....	2
8	101889401	Guide .....	1
9	101890001	Fork - Shift .....	1
10	101891601	Sleeve, Governor .....	1
11	101891901	Gear, Cluster .....	1
12	101892001	Rod, Shift .....	1
13	101892201	Plate, Thrust .....	3
14	101892301	Governor Assembly .....	1
15	101892401	Gear, Spur .....	1
16	101892501	Gear, Helical (61 Tooth) .....	1
17	101892601	Gear, Helical (17 Tooth) .....	1
18	101893201	Key Sunk .....	1
19	101893901	Washer .....	1
20	101927501	Needle Bearing .....	1
21	101927601	Needle Bearing .....	3
22	101927701	Pin, .116" Dia X 0.264 Dowel .....	1
23	101927901	Sleeve, Synchro .....	1
24	101928001	Hub, Synchro Clutch .....	1
25	101928101	Bearing, Ball .....	1
26	101980801	Gear Assembly, 16-Degree Synchro (25 Tooth) .....	1
27	101980901	Gear Assembly, 16-Degree Rear Synchro (28 Tooth) .....	1
28	101981001	Ring, 16-Degree Synchronizer .....	2
29	102453001	Shaft, Trans, with Circlip .....	1
30	102453101	Circlip .....	1
31	7335	Bearing .....	2
32	AM10080	Bearing, Ball, Sealed .....	2
33	AM10081	Bearing, Ball, Sealed .....	1
Note: Items listed on this page are components of the unitized transaxle.			

12

G



000222-001

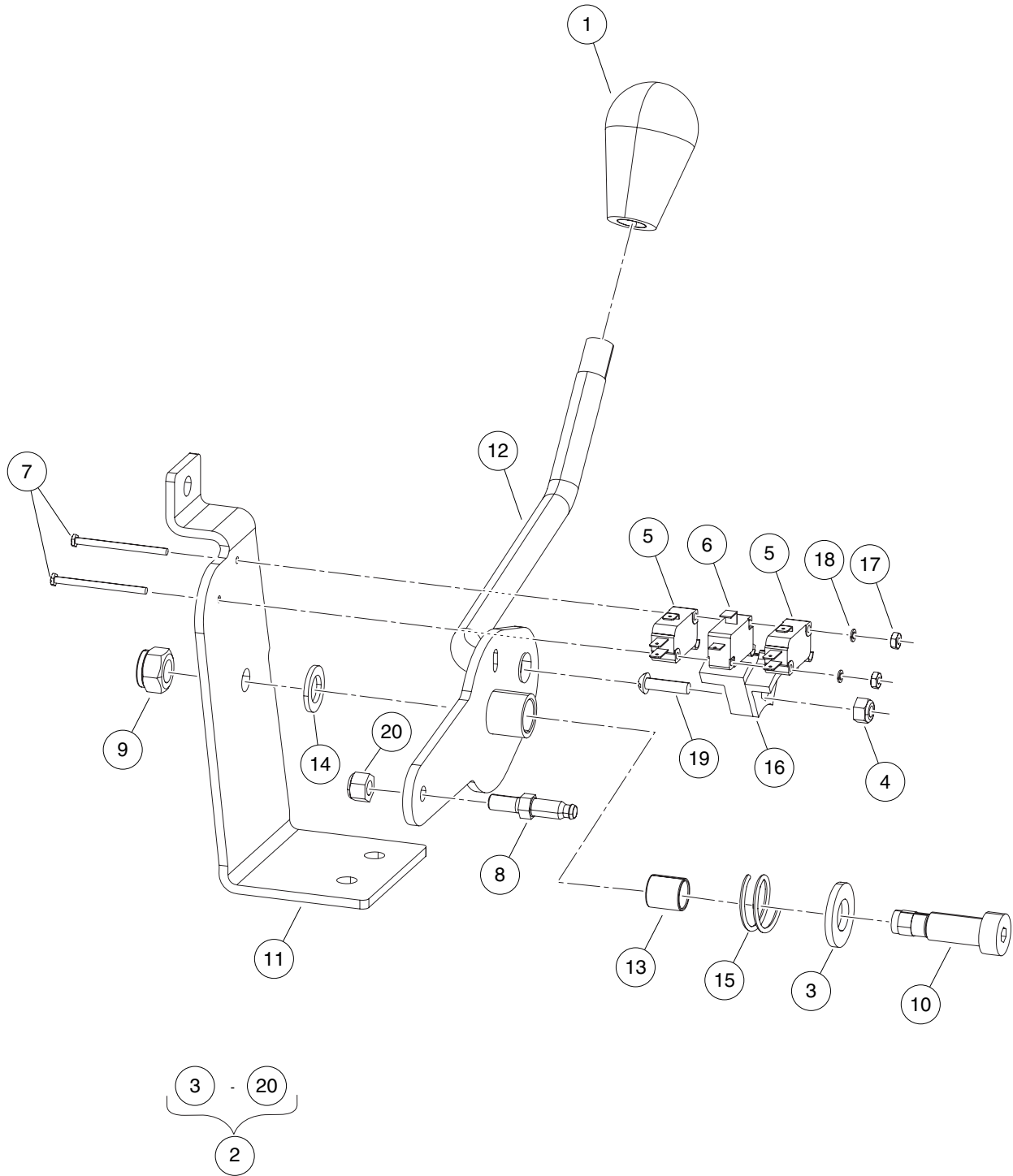
## TRANSAXLE – DIFFERENTIAL AND AXLES

ITEM	PART NO.	DESCRIPTION	QTY
		<b>1 2 3 4</b>	
1	1013770	Differential Idler Gear .....	2
2	1013771	Gear, Differential .....	2
3	1013772	Pin, Differential .....	1
4	1013794	Axle Shaft Oil Seal .....	2
5	N/A	Dowel Pin .....	1
6	101890901	Pipe .....	1
7	101891001	Pipe .....	1
8	101891401	Axle Assembly, Passenger Side (includes items 9 through 13) .....	1
9	1011291	Outer Axle, Tube Bearing .....	1
10	1013787	Lug Stud .....	4
11	1013792	Circlip Type C .....	1
12	1014207	Bushing .....	1
13	1016672	Retaining Ring .....	1
14	101891501	Axle Assembly, Driver-Side (includes items 15 through 19) .....	1
15	1011291	Outer Axle, Tube Bearing .....	1
16	1013787	Lug Stud .....	4
17	1013792	Circlip Type C .....	1
18	1014207	Bushing .....	1
19	1016672	Retaining Ring .....	1
20	101892701	Gear, Helical .....	1
21	101910501	Kit, Differential Gear Case (includes items 22 through 25) .....	1
22	1013768	Differential Gear Case, Left-Hand .....	1
23	1013769	Differential Gear Case, Right-Hand .....	1
24	1013773	Plate, Thrust (Differential Gear) .....	1
25	1013774	Plate, Thrust (Idler Gear) .....	2
26	101928301	Screw, M8-1.25 X 35mm Hex Head .....	8
27	102031901	Bolt, M10 X 1.5 X 30mm .....	14
28	7330	Inner Axle Tube Bearing .....	2
Note: Items listed on this page are components of the unitized transaxle.			

**12**

**G**

**12**  
**G**

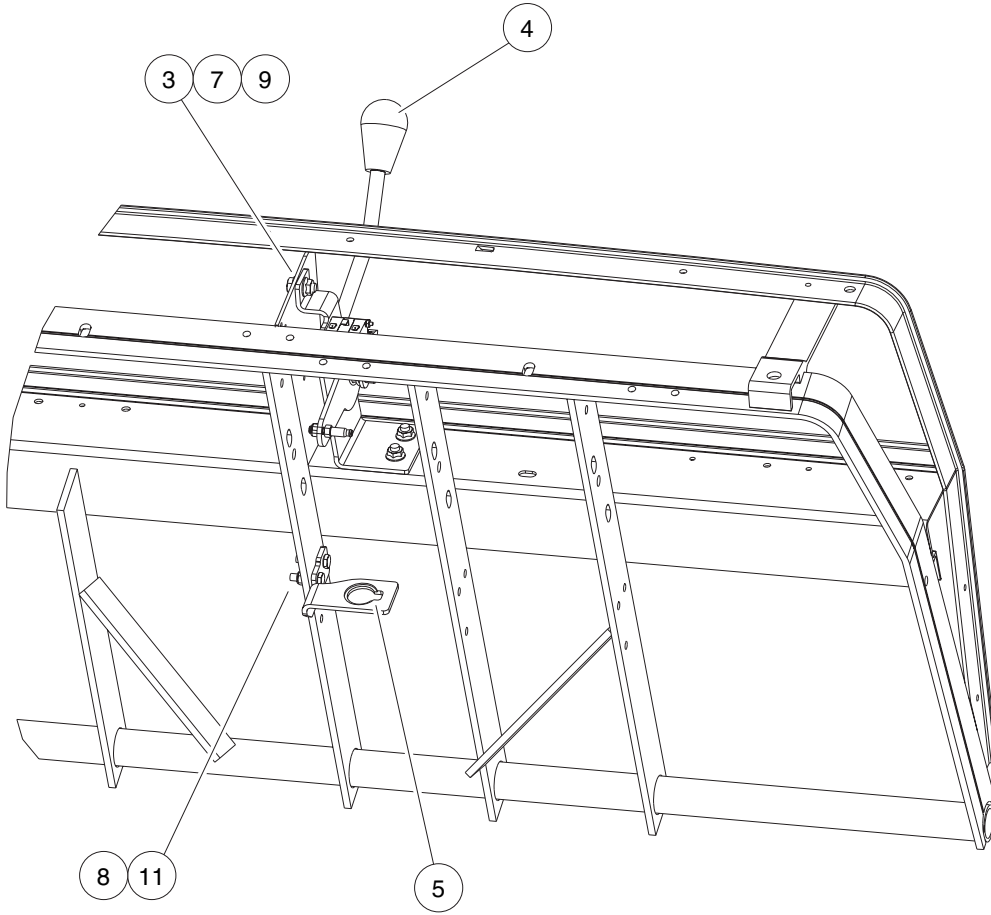


000563-001

# FORWARD/REVERSE SHIFTER

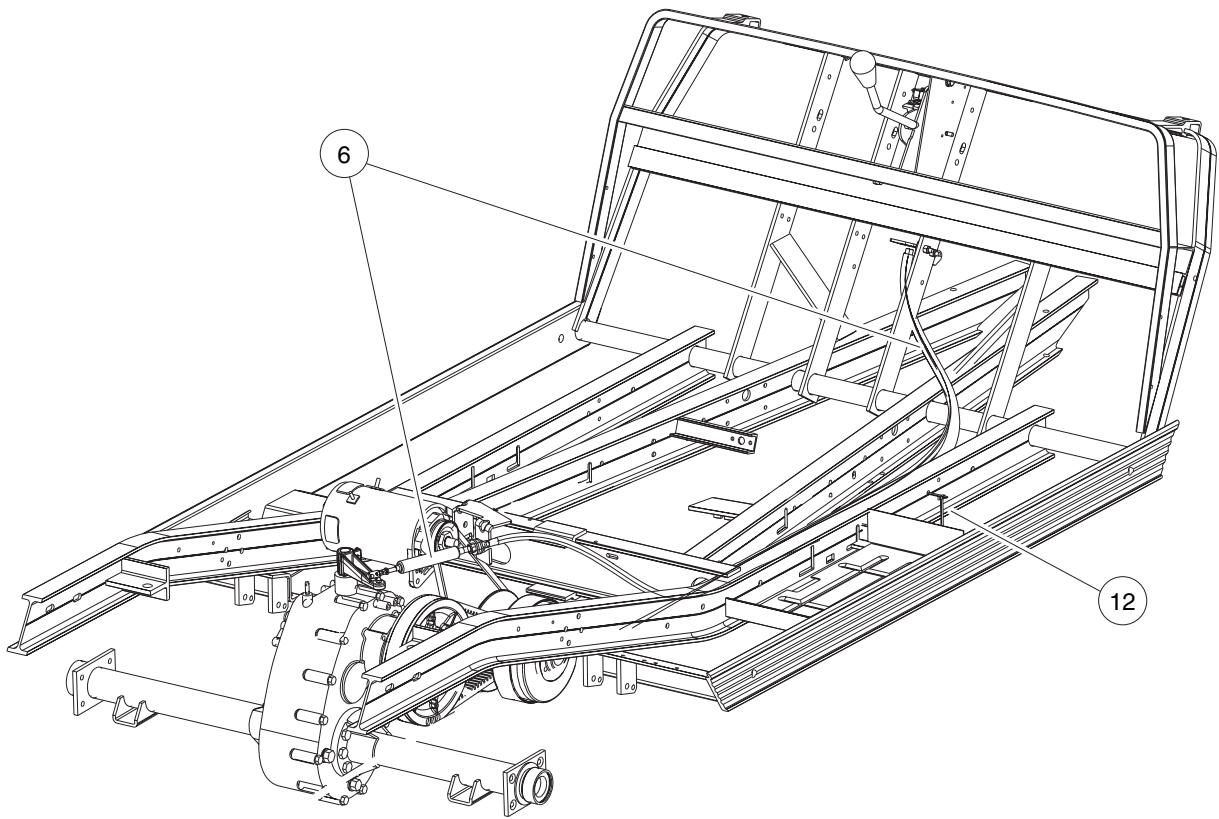
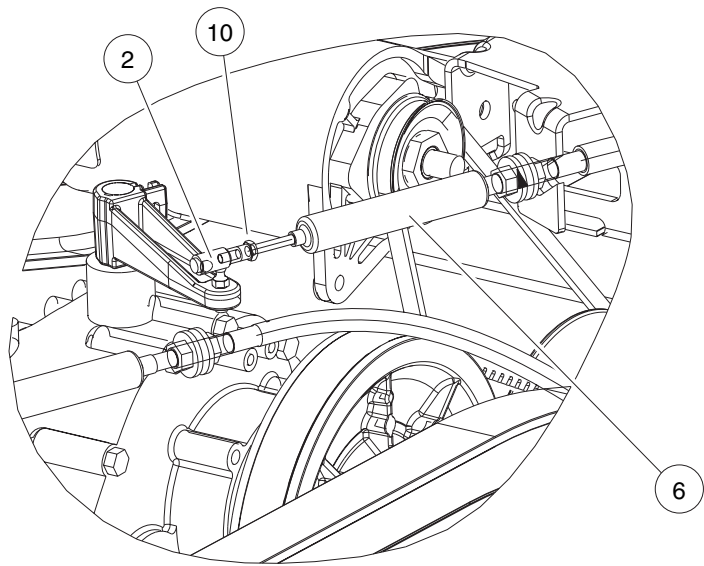
ITEM	PART NO.	DESCRIPTION	QTY
		<b>1 2 3 4</b>	
1	102376001	Knob, Fnr .....	1
2	102969901	Asm, Shifter, FNR (includes items 3 through 20) .....	1
3	1010028	Washer, 1/2 Type A Flat .....	1
4	1013061	Locknut, #10-32 Nylon Insert .....	1
5	1014807	Switch, Limit .....	2
6	1014808	Switch, Limit .....	1
7	1015878	Screw, #4-40 Hex Head Machine .....	2
8	102526201	Stud, Thread, 1/4-28 .....	1
9	102616701	Locknut, M10x1.5 Nylon Insert .....	1
10	102684602	Shoulder Bolt, M12 X 25.0 .....	1
11	102969401	Bracket, Shifter, FNR .....	1
12	102969801	Weldment, Shift Lever, FNR .....	1
13	103173301	Bushing, Greaseless, 12mm Id .....	1
14	103177401	Washer, Thrust, Shifter, FNR .....	1
15	103192701	Spring, Comp, .97 Od X.75 L .....	1
16	103369501	Cam, Limit Switch, Fnr Shifter .....	1
17	8057	Nut, #4-40 Hex Machine .....	2
18	8058	Lockwasher, #4 Helical Split .....	2
19	8104	Screw, #10-32 X .75 Rd Hd Mach .....	1
20	8717	Locknut, 1/4-28 Nylon Insert .....	1

**12**  
**G**



000573-002





000573-002

See previous two pages for illustration.

## FORWARD/REVERSE SHIFTER CABLE

ITEM	PART NO.	DESCRIPTION	QTY
		1 2 3 4	
1	N/A	Instl, Shifter, FNR ,ca2 (includes items 2 through 12) .....	1
2	1012333	Joint, #10-32 Ball .....	1
3	101963401	Locknut, 5/16-18 Hex Flange .....	3
4	102376001	Knob, Fnr .....	1
5	103295101	Brkt, Spt, Cable End, Fnr .....	1
6	103295202	Cable, Trans, Ball End, 1855mm .....	1
7	1241	Washer, 5/16 Type A Flat .....	3
8	304	Screw, 1/4-20 X 1.0 Hex-Head Cap .....	2
9	7173	Screw, 5/16-18 X 0.75 Hex-Head Cap .....	3
10	7893	Nut, #10-32 Hex .....	1
11	8233	Locknut, 1/4-20 Nylon Insert .....	2
12	8639	Tie Wrap, 11" Nylon .....	1

**12**

**G**

12

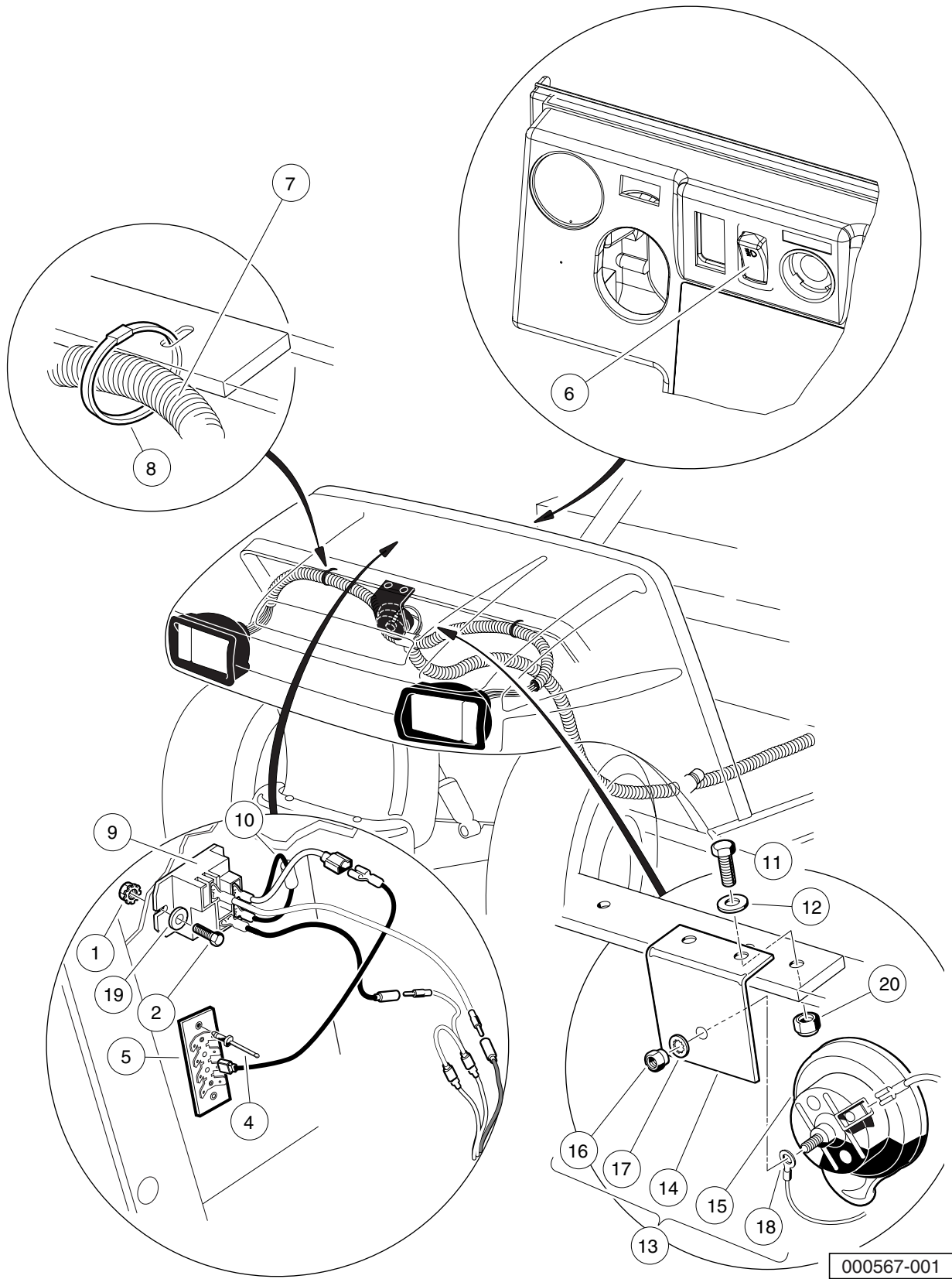
G

# ELECTRICAL SYSTEM – ELECTRIC VEHICLES

---

13

*E*

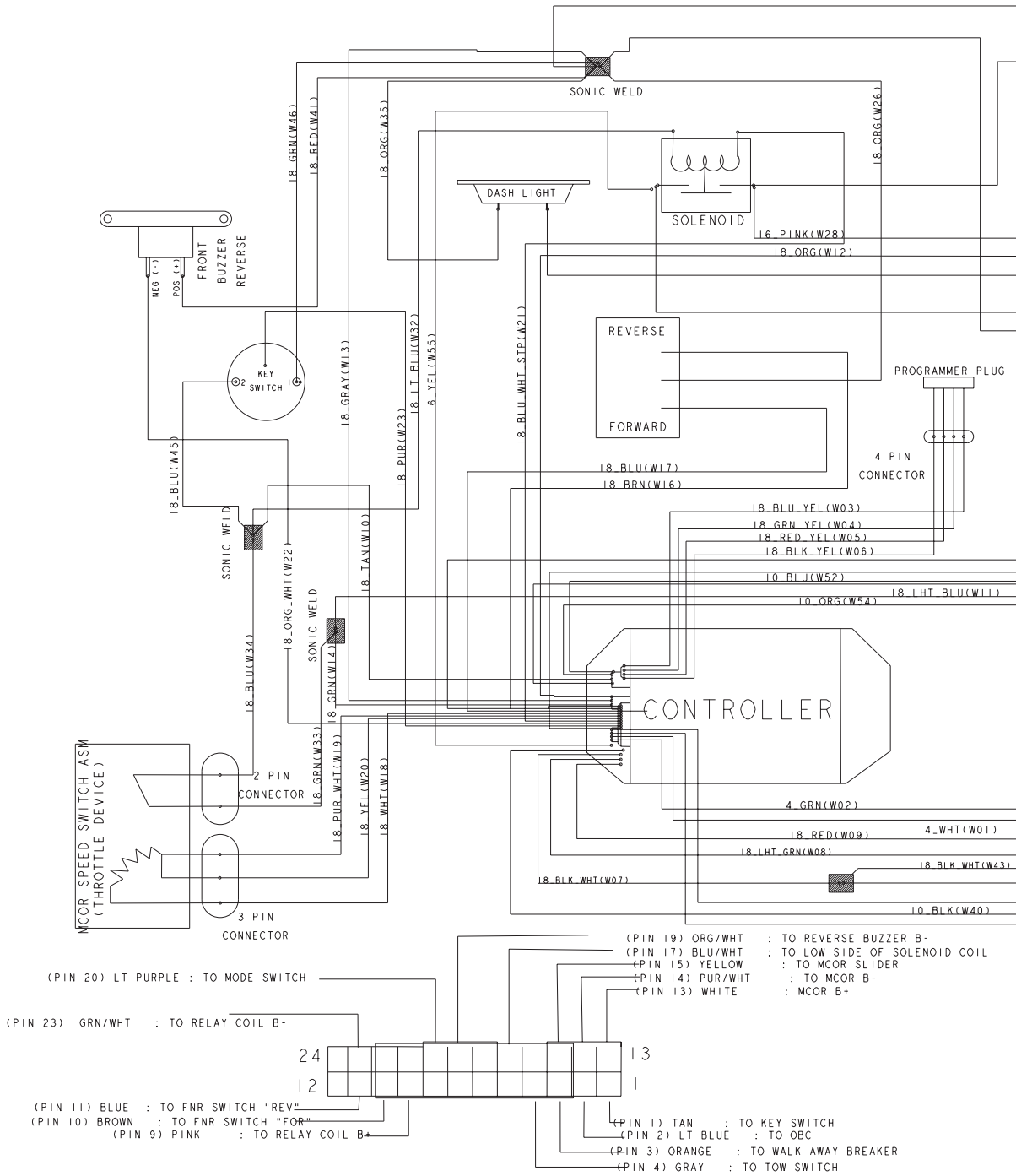


# HEADLIGHT AND HORN ELECTRICAL COMPONENTS

ITEM	PART NO.	DESCRIPTION	QTY
		1 2 3 4	
1	1011229	Locknut, #6-32 Whiz .....	2
2	1017853	Screw, #6-32 X 0.75 Hex-Head Machine .....	2
3	N/A	Headlight Only, IQ Plus (includes items 4 through 8) .....	1
4	1013357	Rivet, 5/32 Aluminum Pop .....	2
5	1016356	Terminal Block with Insulator .....	1
6	102869401	Switch, Rocker, Light .....	1
7	103255701	Wire Harness, Hd Lght, Ca, Ele .....	1
8	8990	Tie Wrap, 8" Nylon .....	8
9	101828601	Relay, 48-Volt .....	1
10	101914401	Assembly, Voltage Suppressor .....	1
11	304	Screw, 1/4-20 X 1.0 Hex-Head Cap .....	2
12	332	Washer, 1/4 Type A Narrow Flat .....	2
13	4029	Horn (includes items 14 through 18) .....	1
14	1011825	Horn Bracket .....	1
15	N/A	Horn, 12-VDC .....	1
16	101955101	Nut, M6 Hex .....	1
17	7820	Washer, 5/16 Internal-Tooth .....	1
18	N/A	5/16 Ring Term. ....	1
19	7591	Washer, #6 Flat .....	2
20	8233	Locknut, 1/4-20 Nylon Insert .....	2

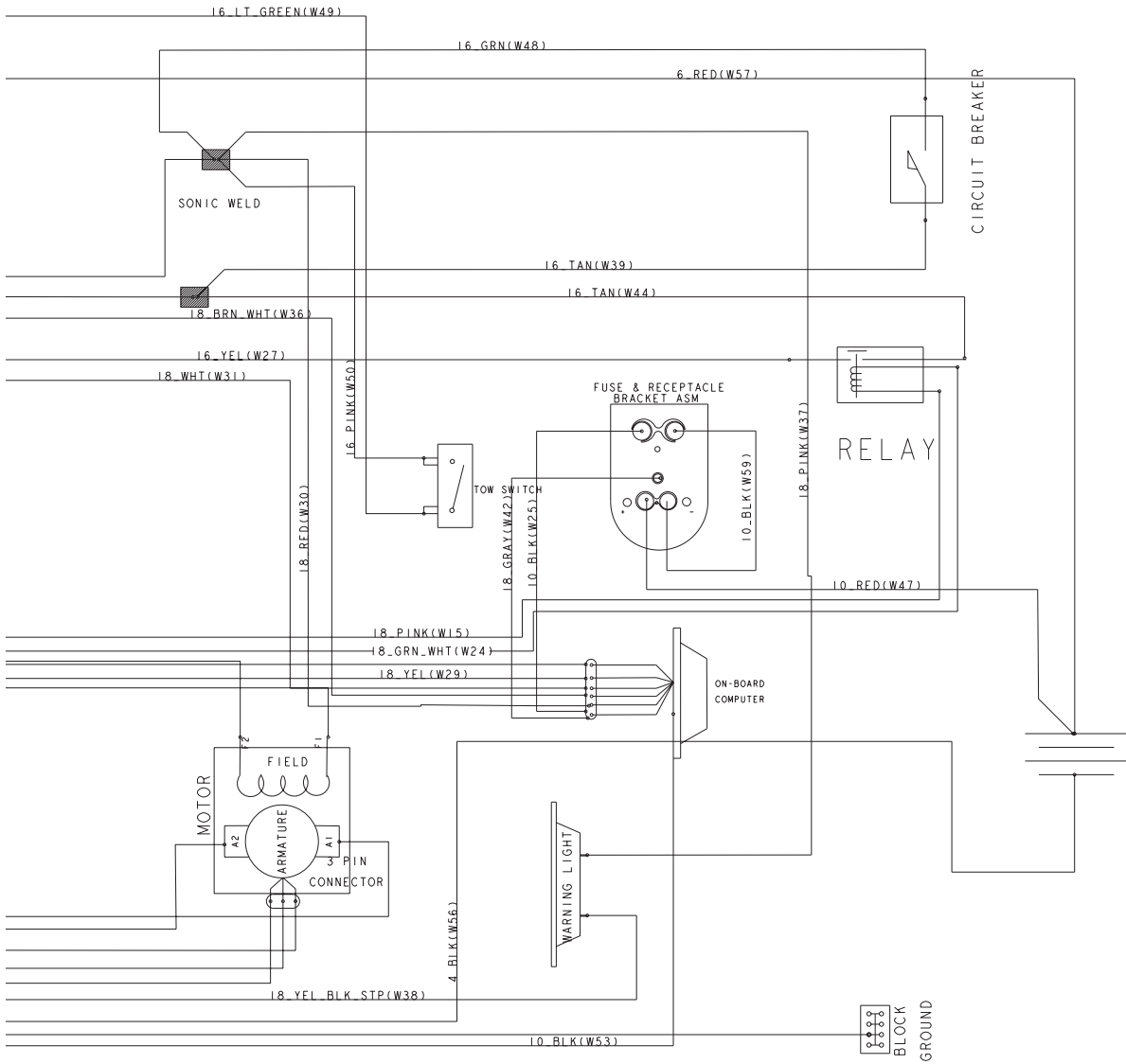
13

E



000566-001





000566-001

See previous two pages for illustration.

## WIRING – TURF/CARRYALL 2

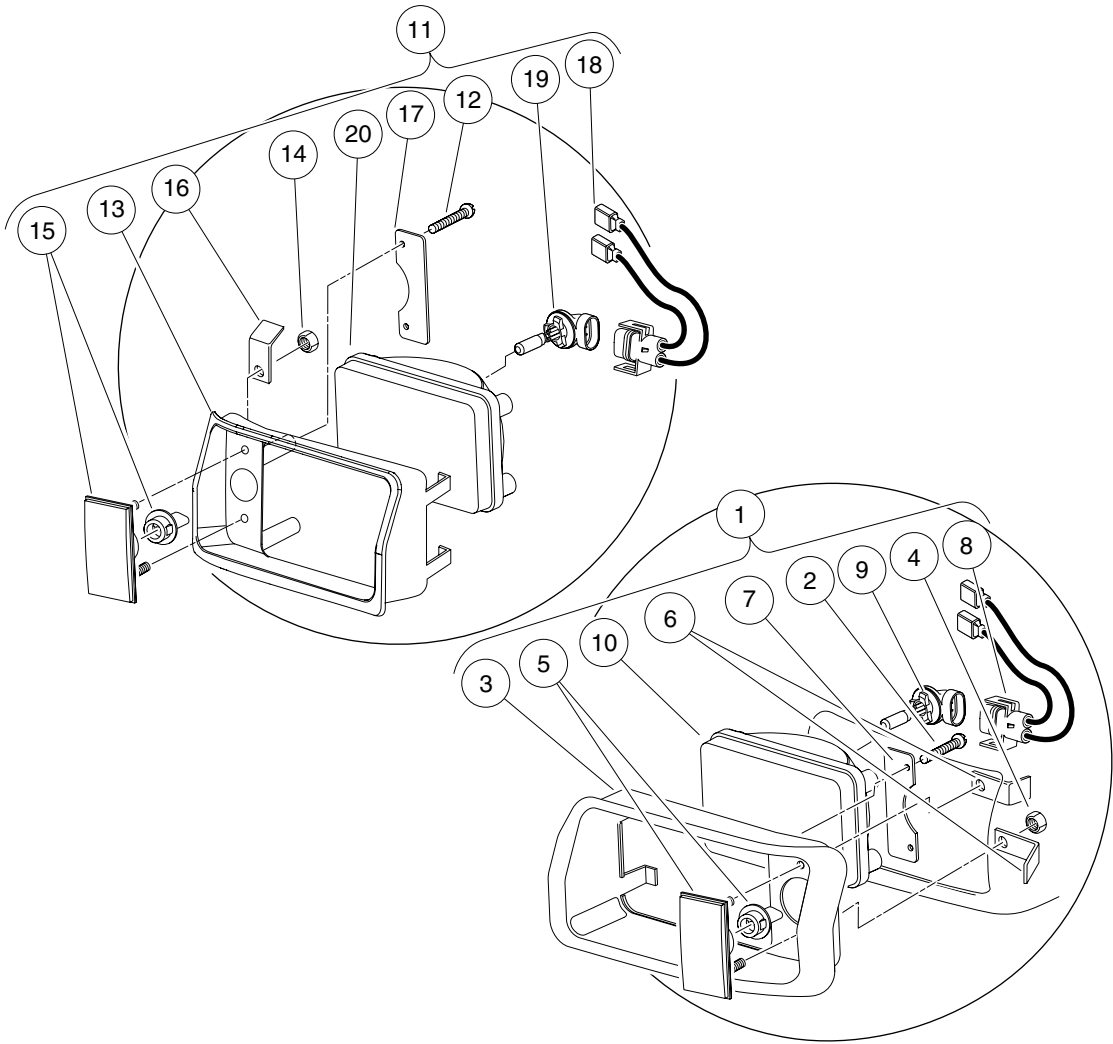
ITEM	PART NO.	DESCRIPTION	QTY
		1 2 3 4	
1	102845401	Wire Harness, Power, IQ Plus (includes items 2 through 7) .....	1
2	N/A	Asm, #4 Grn Wire, 37" .....	1
3	N/A	Asm, #4 Wht Wire, 36.5" .....	1
4	N/A	Asm, #10 Org Wire, 39" .....	1
5	N/A	Asm, #10 Blu Wire, 46" .....	1
6	N/A	Asm, #4 Red Wire, 33" .....	1
7	8639	Tie Wrap, 11" Nylon .....	3
8	103221901	Asm, Wire Harness, Carryall 2, Elec .....	1

13

E

13

E



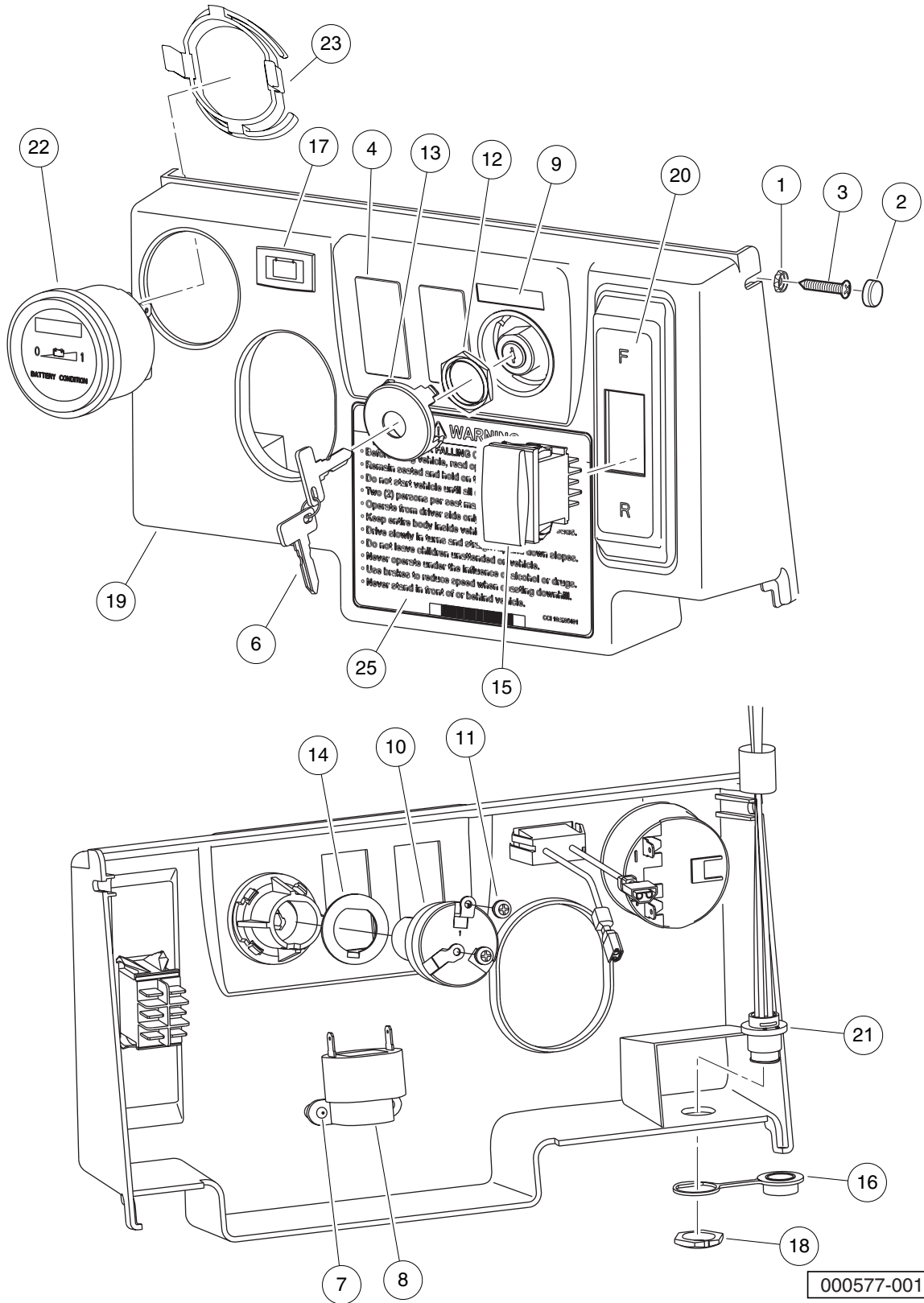
000073-001

# HEADLIGHTS

**13**

**E**

ITEM	PART NO.	DESCRIPTION	QTY
		<b>1 2 3 4</b>	
1	101988001	Headlight Assembly, Driver-Side Single Beam (includes items 2 through 10) .....	1
2	1013461	Screw, #10-16 Hex-Head Hi-Lo .....	2
3	1016880	Headlight Bezel, Left .....	1
4	1017	Nut, #10-24 Stainless-Steel Hex Machine .....	2
5	1017062	Turn Signal Lens Assy .....	1
6	1017064	Mounting Bracket .....	2
7	1017065	Retainer, Headlight .....	1
8	101987901	Connector Harness Assembly, Headlight .....	1
9	101988101	Bulb, Headlight .....	1
10	101988201	Lens, Headlight .....	1
11	101988002	Headlight Assy, Passenger-Side Single Beam (includes items 12 through 20) .....	1
12	1013461	Screw, #10-16 Hex-Head Hi-Lo .....	2
13	1016879	Headlight Bezel, Right .....	1
14	1017	Nut, #10-24 Stainless-Steel Hex Machine .....	2
15	1017062	Turn Signal Lens Assy .....	1
16	1017064	Mounting Bracket .....	2
17	1017065	Retainer, Headlight .....	1
18	101987901	Connector Harness Assembly, Headlight .....	1
19	101988101	Bulb, Headlight .....	1
20	101988201	Lens, Headlight .....	1



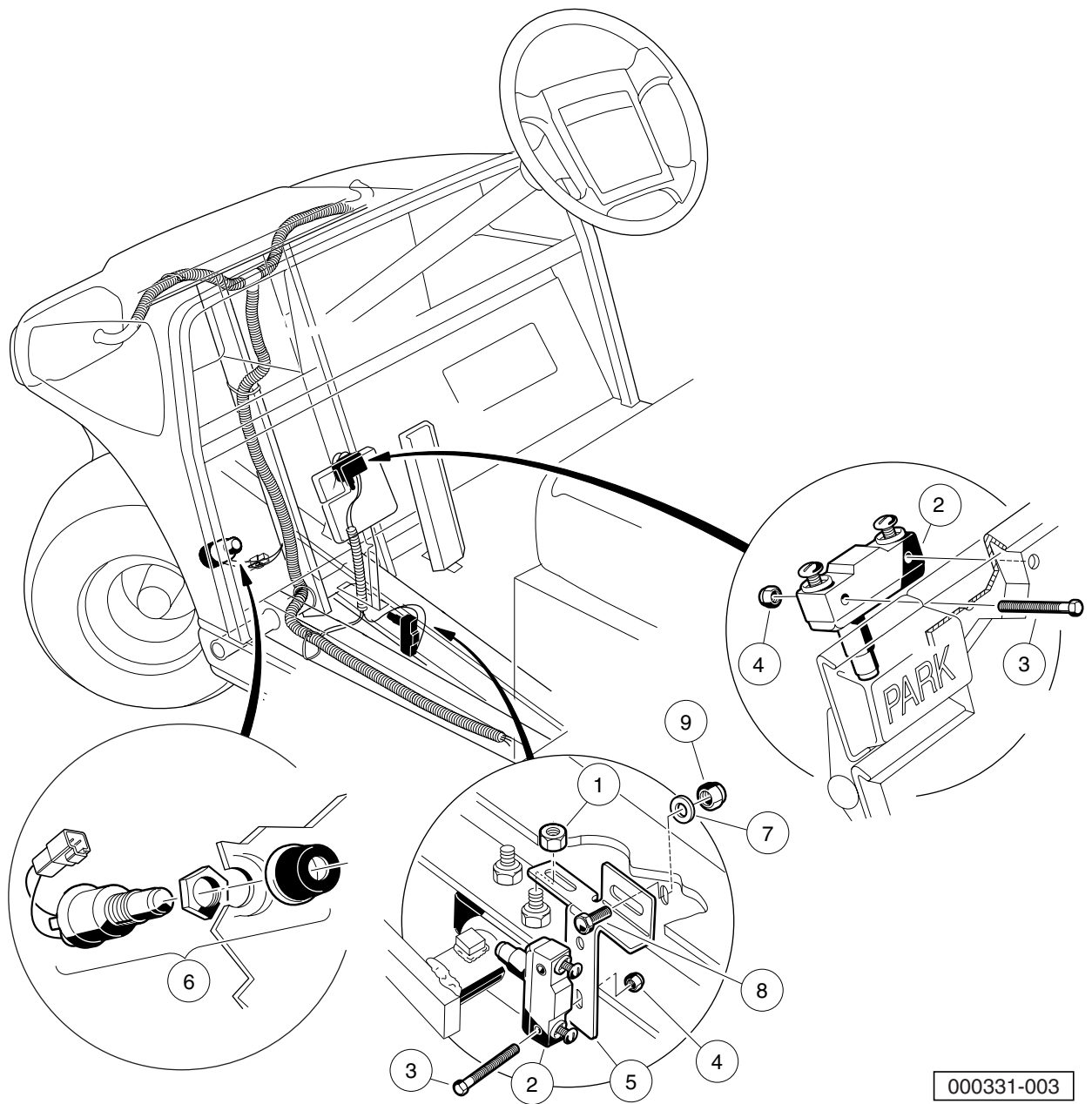
000577-001

# INSTRUMENT PANEL WITH ELECTRICAL COMPONENTS – TURF/ CARRYALL 252, AND XRT 900

ITEM	PART NO.	DESCRIPTION	QTY
		1 2 3 4	
1	N/A	Washer, #10 Pan-Head Screw .....	2
2	1013494	Cover, Screw Head .....	2
3	1015528	Screw, #10 x 1-1/4 Phillips Head .....	2
4	103180101	Cover, Hole, Switch, Rocker .....	2
5	N/A	Asm, Dash, Elec, BCI (Instrument Panel) (includes items 6 through 25) .....	1
6	1012505	Keys (set of 2) .....	1
7	1016849	Screw, #4-24 X 0.33 Pan-Head Machine .....	2
8	1016851	Buzzer, Reverse (9-48 VDC) .....	1
9	101825101	Decal, Off/On .....	1
10	101826201	Key Switch, On/Off .....	1
11	101830601	Screw and Washer Assembly .....	5
12	101830701	Nut, Key Switch .....	1
13	101834502	Cap, Black Key Switch .....	1
14	101851101	Washer, Key Switch .....	1
15	101856001	Switch, Rocker, Double-Pole .....	1
16	102196901	Dust Cap .....	1
17	102508701	Light, Battery .....	1
18	102572401	Nut, Diagnostic Port, Prec .....	1
19	102977002	Panel, Dash, Center, Gas (Instrument Panel) .....	1
20	103210301	Decal, Forward/Reverse, Electric .....	1
21	103218601	Harness, Diagnostic Port .....	1
22	103354401	Gauge, Battery Cond Ind, Rnd (includes items 23 and 24) .....	1
23	103348202	Clip, Bci, Round .....	1
24	N/A	Battery Condition Indicator Gauge .....	1
25	103499301	Decal, Operating Inst, On-road .....	1

13

E



000331-003

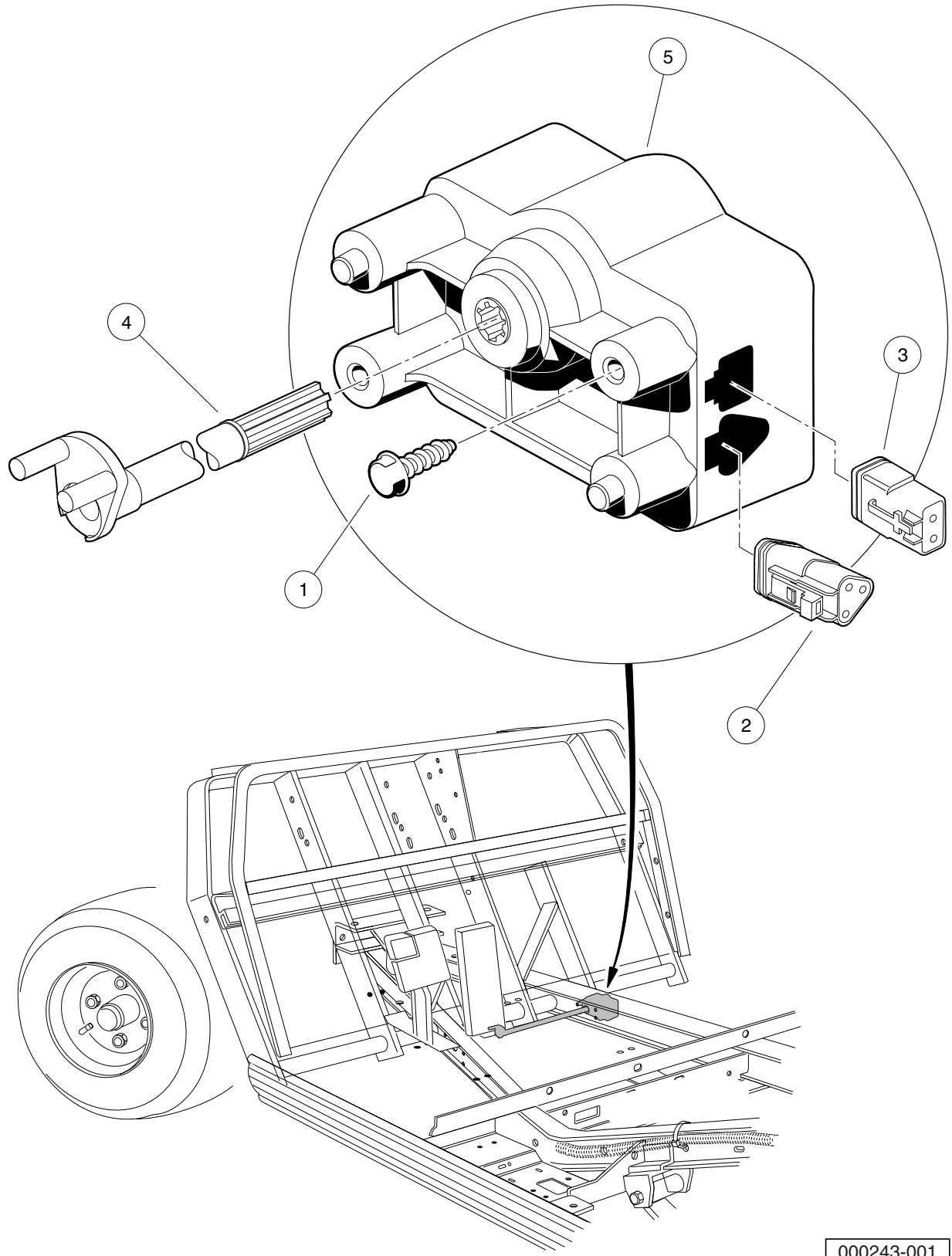


# HORN AND BRAKE SWITCHES

ITEM	PART NO.	DESCRIPTION	QTY
		1 2 3 4	
1	1011280	Locknut, 5/16-18 .....	1
2	1011439	Switch, Limit .....	2
3	1011557	Screw, #6-32 X 1.00 Hex-Head Machine .....	4
4	101932201	Locknut, #6-32 Nylon .....	4
5	101957101	Bracket, Brake Light Switch .....	1
6	101969701	Horn Button and Wire Assembly .....	1
7	1241	Washer, 5/16 Type A Flat .....	1
8	7173	Screw, 5/16-18 X 0.75 Hex-Head Cap .....	1
9	7473	Locknut, 5/16-18 Nylon Insert .....	1

13

E



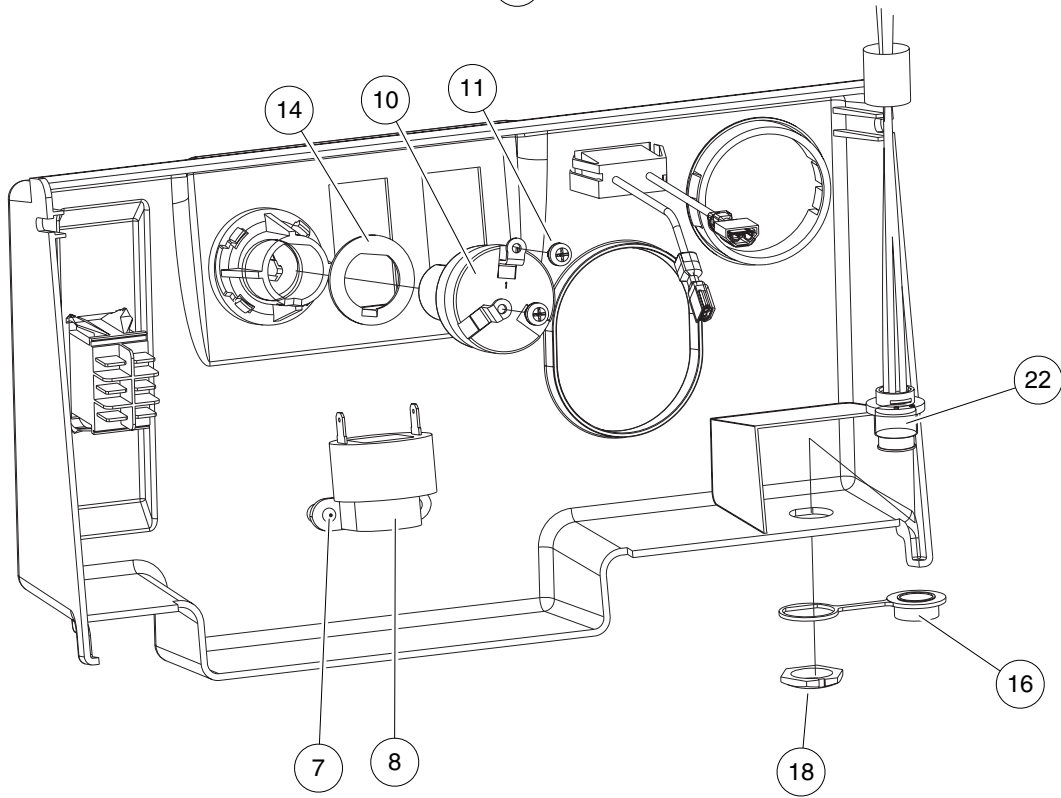
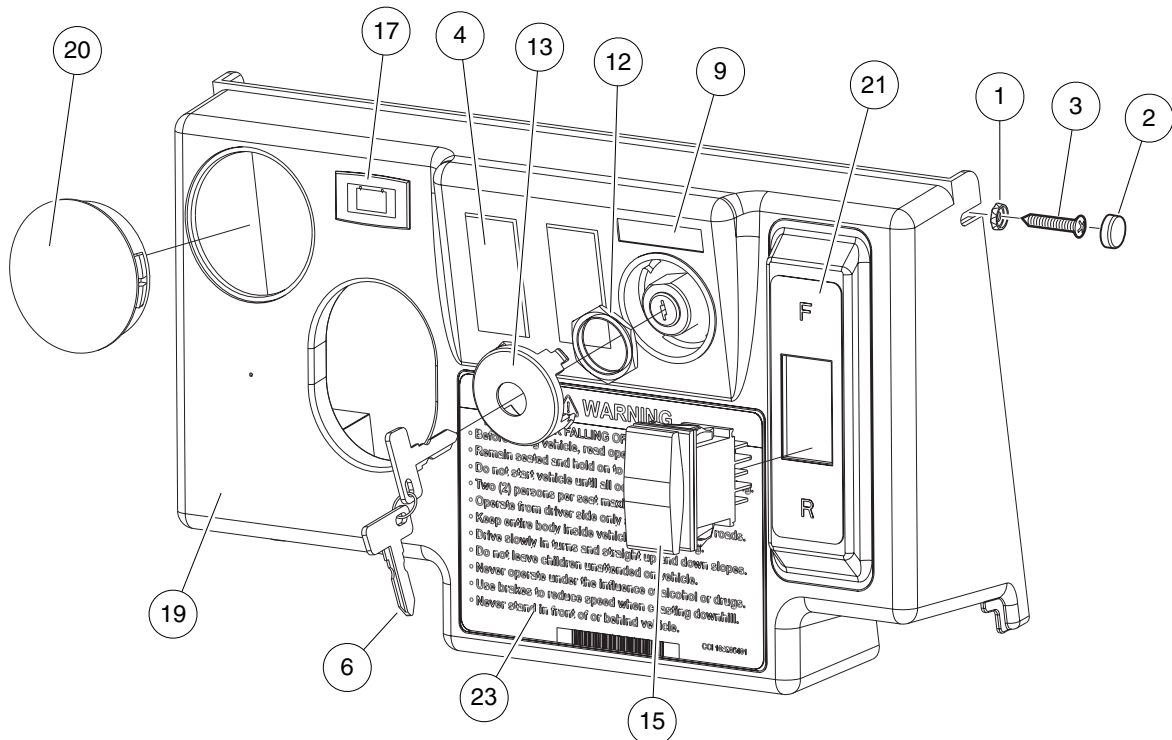
000243-001

# MOTOR CONTROLLER OUTPUT REGULATOR (MCOR)

ITEM	PART NO.	DESCRIPTION	QTY
		1 2 3 4	
1	1015752	Screw, #12-16 X 0.625 Hi-Lo .....	2
2	101920101	Kit, 3-Pin Wedge Lock .....	1
3	101936801	Kit, 2-Pin Wedge Lock .....	1
4	102101001	Bar, Drive, Cast .....	1
5	102101101	MCOR .....	1

13

E



000577-006

# INSTRUMENT PANEL AND ELECTRICAL COMPONENTS – TURF/ CARRYALL 2

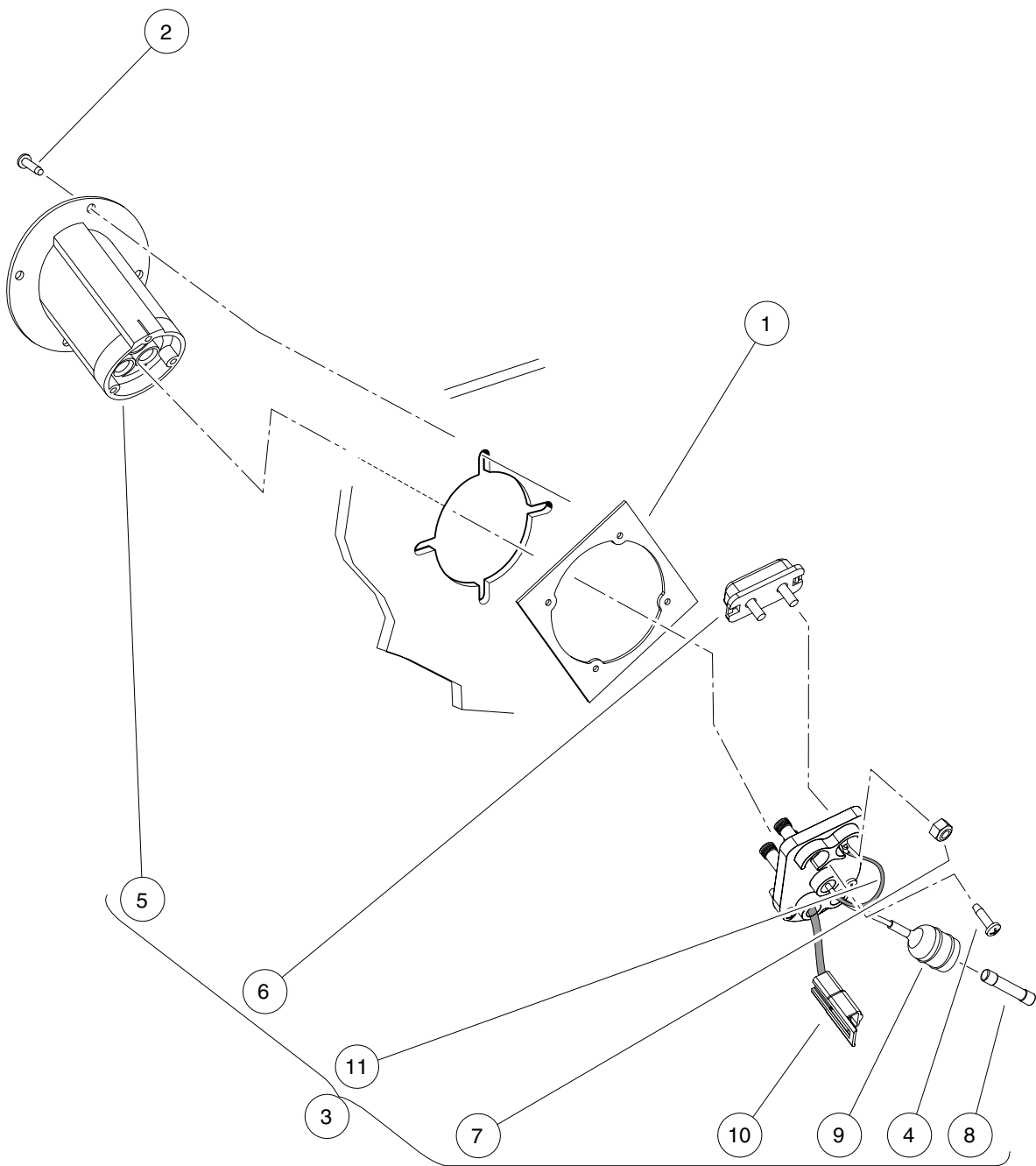
ITEM	PART NO.	DESCRIPTION	QTY
		1 2 3 4	
1	N/A	Washer, #10 Pan-Head Screw .....	2
2	1013494	Cover, Screw Head .....	2
3	1015528	Screw, #10 x 1-1/4 Phillips Head .....	2
4	103180101	Cover, Hole, Switch, Rocker .....	2
5	N/A	Asm, Dash, Elec (Instrument Panel) (includes items 6 through 23) .....	1
6	1012505	Keys (set of 2) .....	1
7	1016849	Screw, #4-24 X 0.33 Pan-Head Machine .....	2
8	1016851	Buzzer, Reverse (9-48 VDC) .....	1
9	101825101	Decal, Off/On .....	1
10	101826201	Key Switch, On/Off .....	1
11	101830601	Screw and Washer Assembly .....	2
12	101830701	Nut, Key Switch .....	1
13	101834502	Cap, Black Key Switch .....	1
14	101851101	Washer, Key Switch .....	1
15	101856001	Switch, Rocker, Double-Pole .....	1
16	102196901	Dust Cap .....	1
17	102508701	Light, Battery .....	1
18	102572401	Nut, Diagnostic Port, Prec .....	1
19	102977002	Panel, Dash, Center, Gas (Instrument Panel) .....	1
20	103198301	Plug, Hole, Round, 2.0 In .....	1
21	103210301	Decal, Forward/Reverse, Electric .....	1
22	103218601	Harness, Diagnostic Port .....	1
23	103499301	Decal, Operating Inst, On-road .....	1

13

E

**13**

**E**



000369-002

# BATTERY CHARGER RECEPTACLE

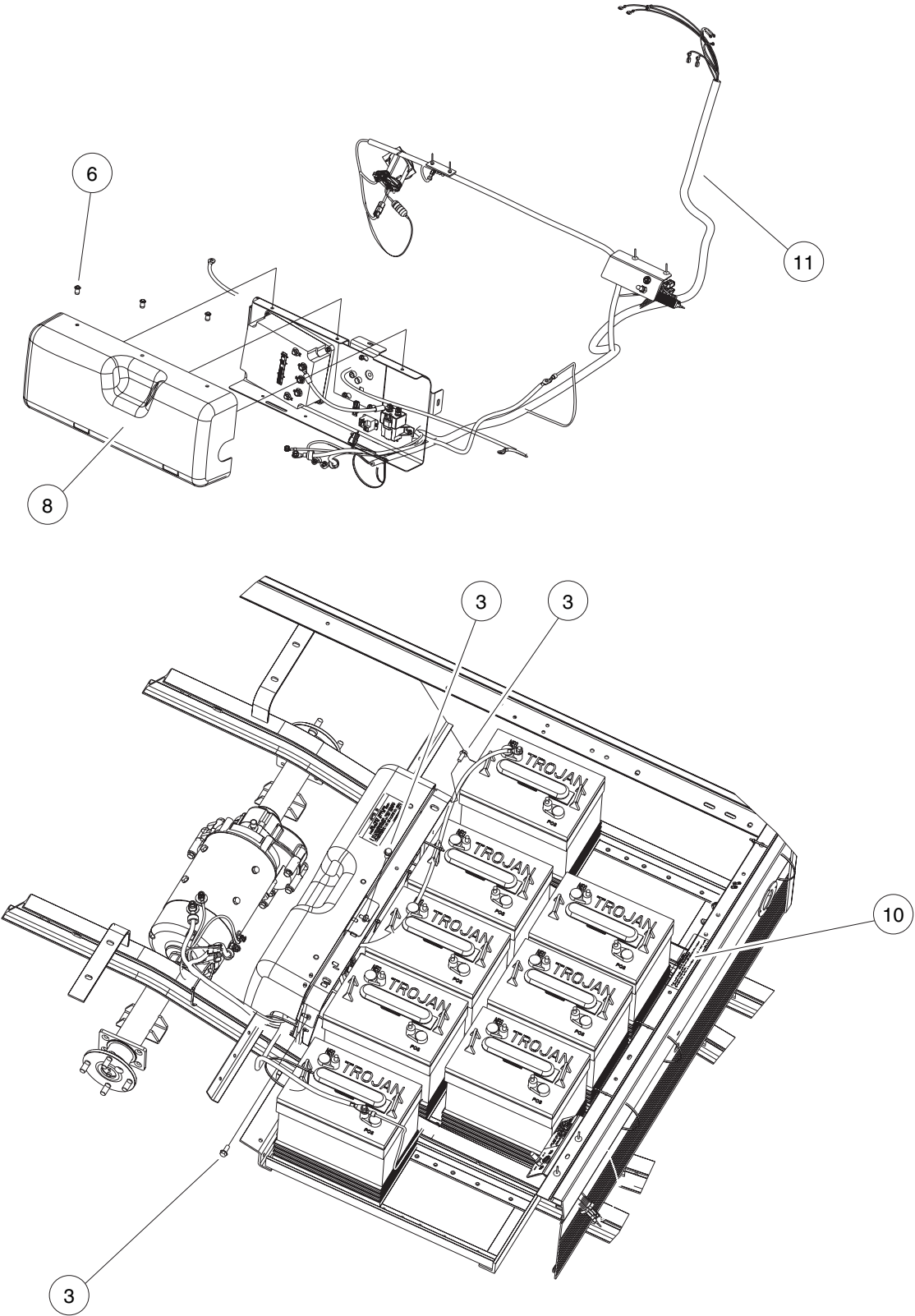
ITEM	PART NO.	DESCRIPTION	QTY
		<b>1 2 3 4</b>	
1	101801001	Plate, Receptacle Backing .....	1
2	101832001	Screw, #7-19 X 0.625 Phillips Pan-Head Tap .....	4
3	102848701	Fuse and Receptacle Assembly (includes items 4 through 11) .....	1
4	1017705	Screw, #8 X 5/8 Phillips Pan-Head Type AB .....	3
5	101796501	Receptacle .....	1
6	101796801	Fuse Assembly (includes item 7) .....	1
7	1013061	Locknut, #10-32 Nylon Insert .....	2
8	101894901	Fuse, 3/8-Amp .....	1
9	N/A	Wire Assembly, Sense Lead, Gray .....	1
10	N/A	Wire Assembly, #10 Red .....	1
11	N/A	Wire Assembly, #10 Black .....	1

13

E

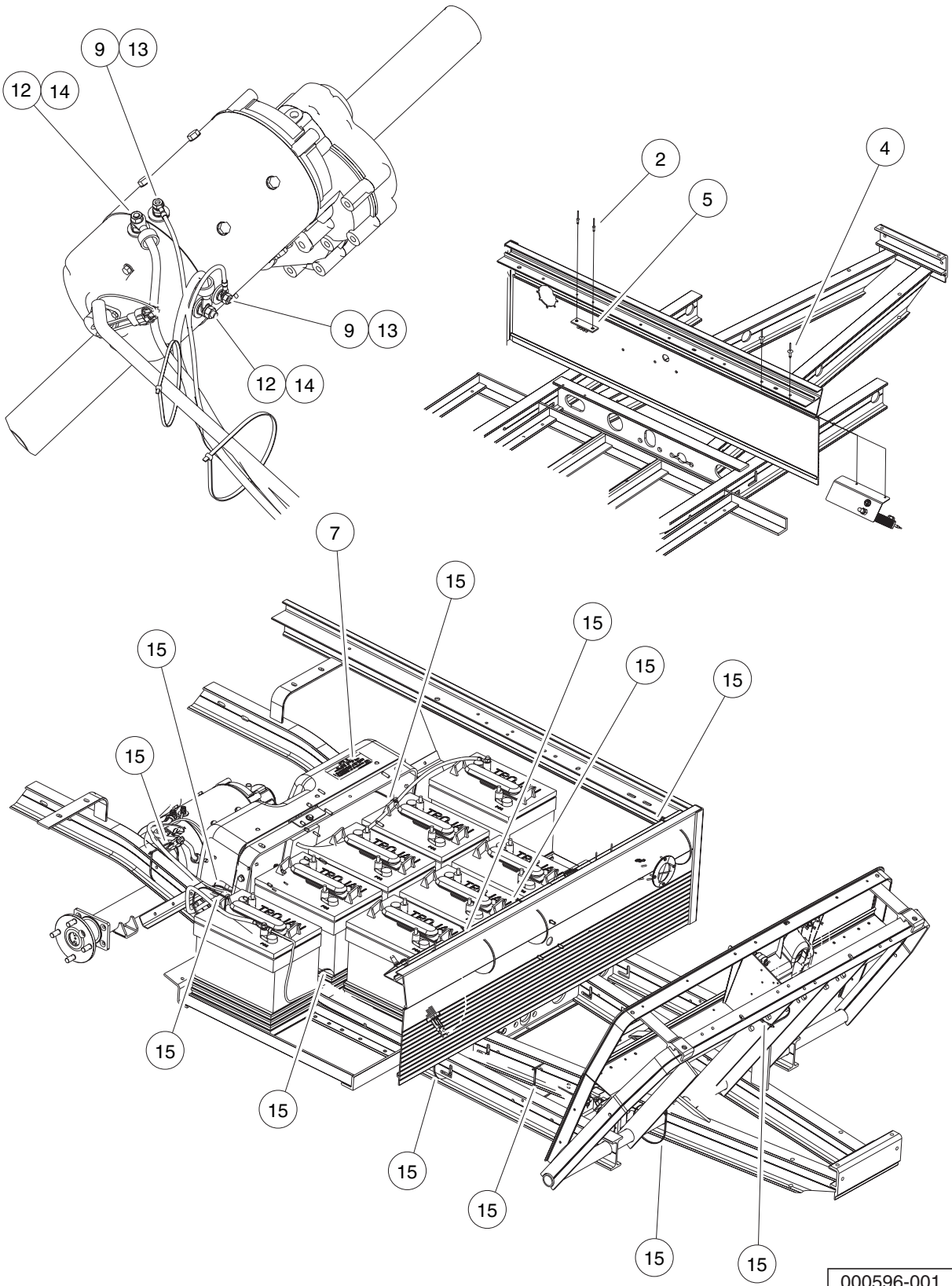
13

E



000596-001





See previous two pages for illustration.

# ELECTRICAL INSTALLATION

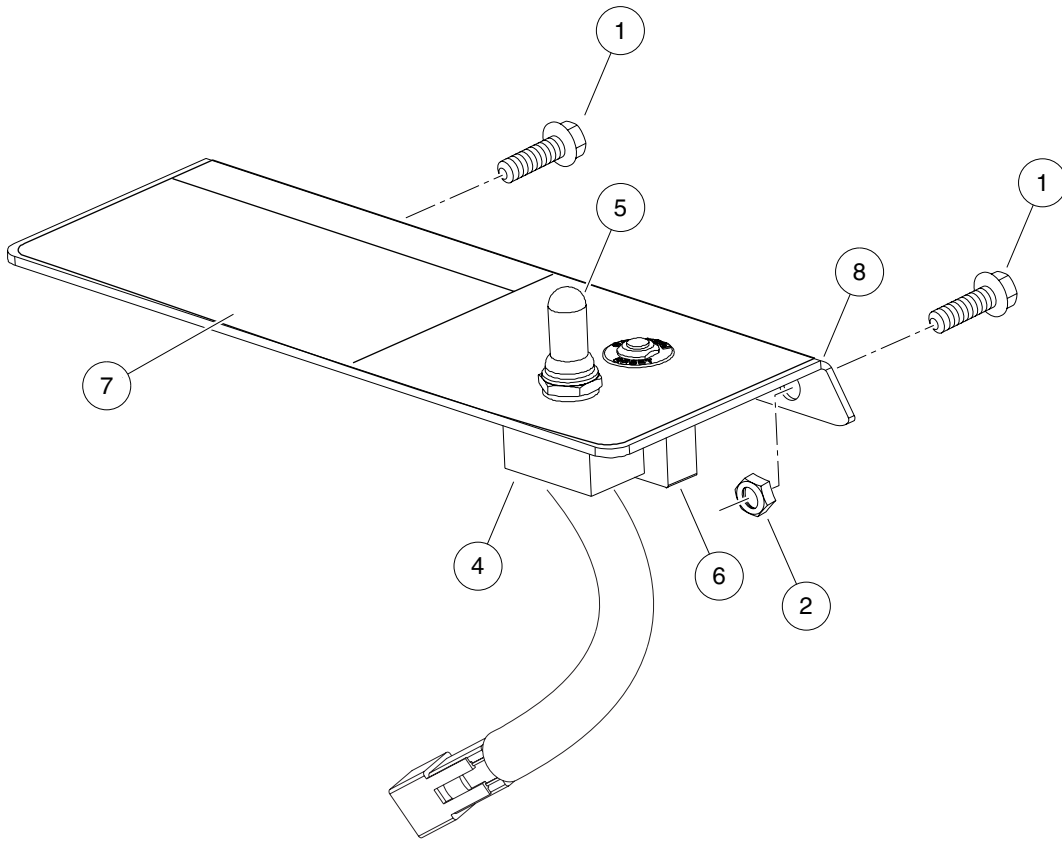
ITEM	PART NO.	DESCRIPTION	QTY
		1 2 3 4	
1	N/A	Inst, Elec Sys, Iq Plus (includes items 2 through 15) .....	1
2	1013357	Rivet, 5/32 Aluminum Pop .....	2
3	1014288	Screw, 5/16-18 X 0.75 Thread-Forming .....	3
4	1015392	Rivet, 3/16 Pop .....	2
5	1016356	Terminal Block with Insulator .....	1
6	1016967	Blind Rivet, Push Type .....	3
7	102518301	Decal, Caution, Electrical Component Cover .....	1
8	102772401	Cover, Electrical Component .....	1
9	1028	Nut, 1/4-20 Hex .....	2
10	102967601	Decal, Warning, 4 Gauge Wire .....	1
11	103221901	Asm, Wire Harness, Carryall 2, Elec .....	1
12	1242	Nut, 5/16-18 Hex .....	2
13	451	Lockwasher, 1/4 Helical Split .....	2
14	7174	Lockwasher, 5/16 Split .....	2
15	8990	Tie Wrap, 8" Nylon .....	12

13

E

13

E



000425-001

# TOW/RUN SWITCH

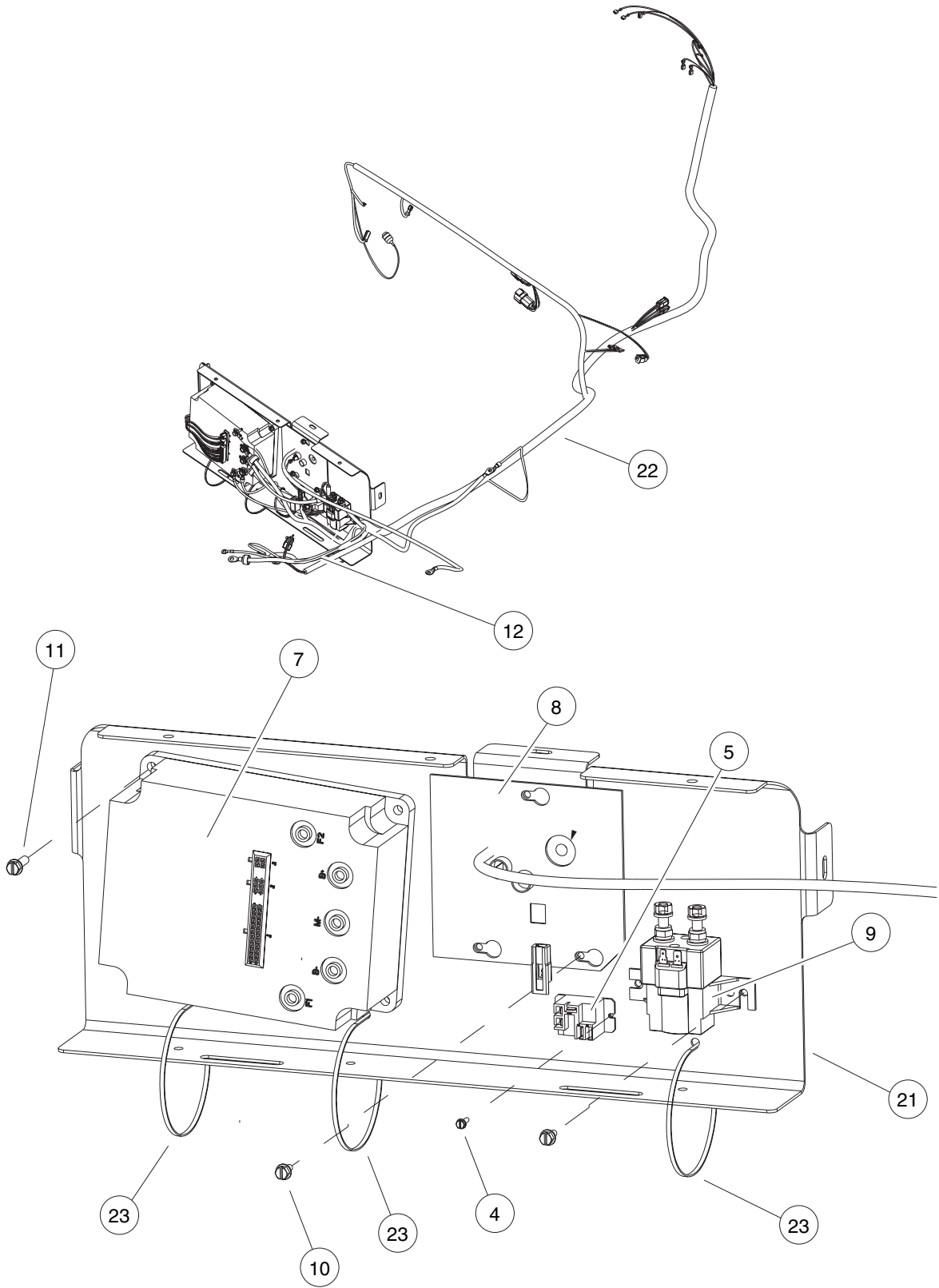
ITEM	PART NO.	DESCRIPTION	QTY
		<b>1 2 3 4</b>	
1	1012126	Screw, #10-32 X .625 Hx Washer .....	A/R
2	1013061	Locknut, #10-32 Nylon Insert .....	2
3	N/A	Tow/Run Switch Assembly (includes items 4 through 8) .....	1
4	101908101	Switch Assembly, Tow/Run .....	1
5	101908401	Boot, Switch .....	1
6	102838101	Circuit Breaker 250vac-50vdc .....	1
7	102845101	Decal, Tow Switch .....	1
8	102915701	Plate, Switch, Run Tow, Mode .....	1

**13**

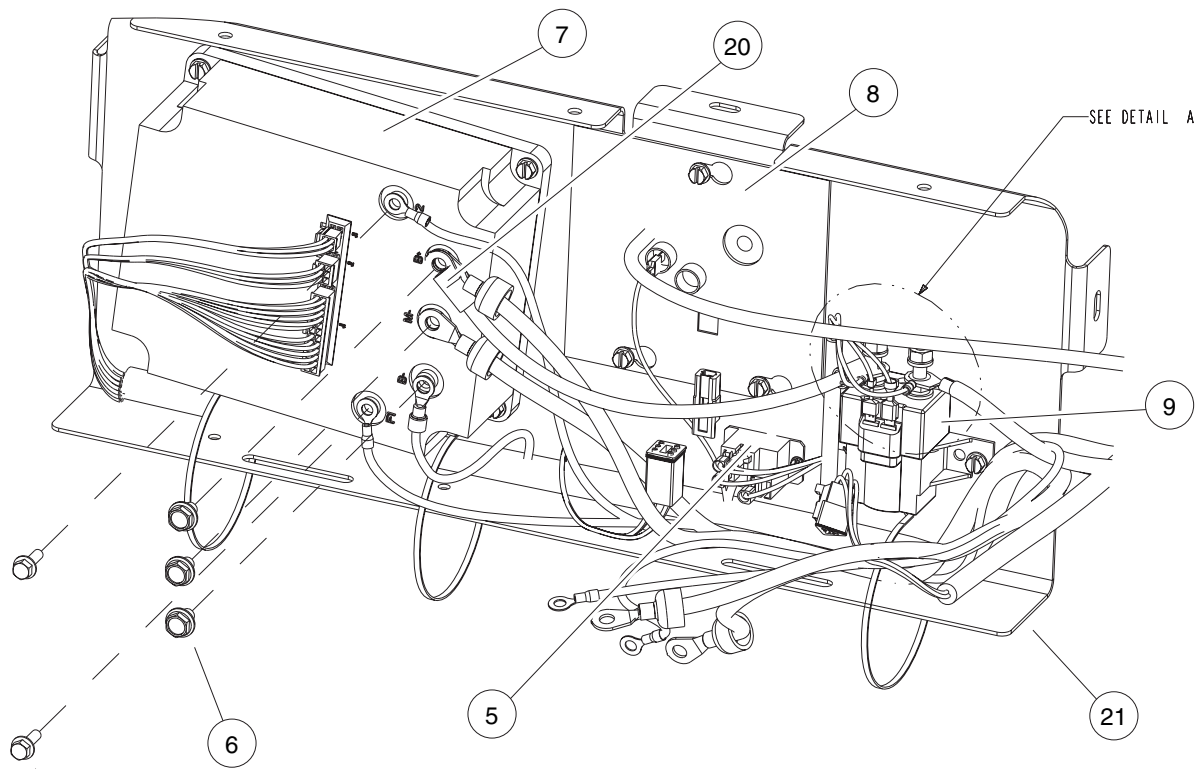
**E**

13

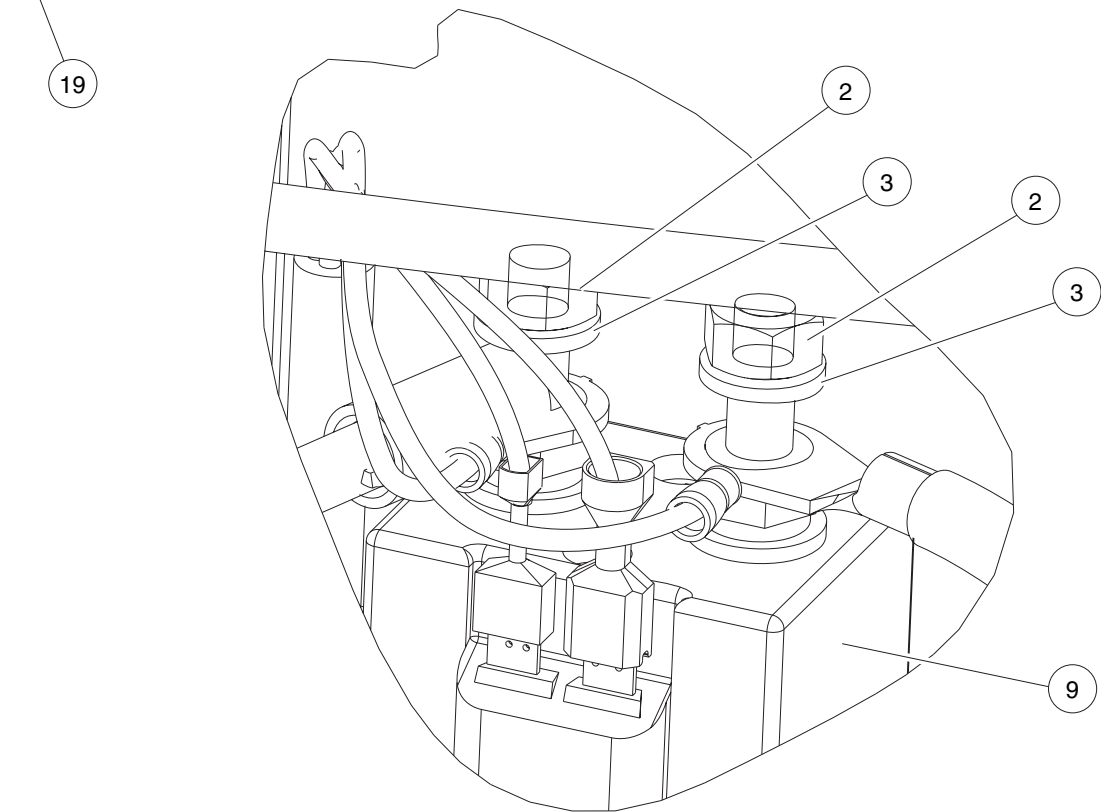
E



000597-001



SEE DETAIL A



DETAIL A

000597-001

See previous two pages for illustration.

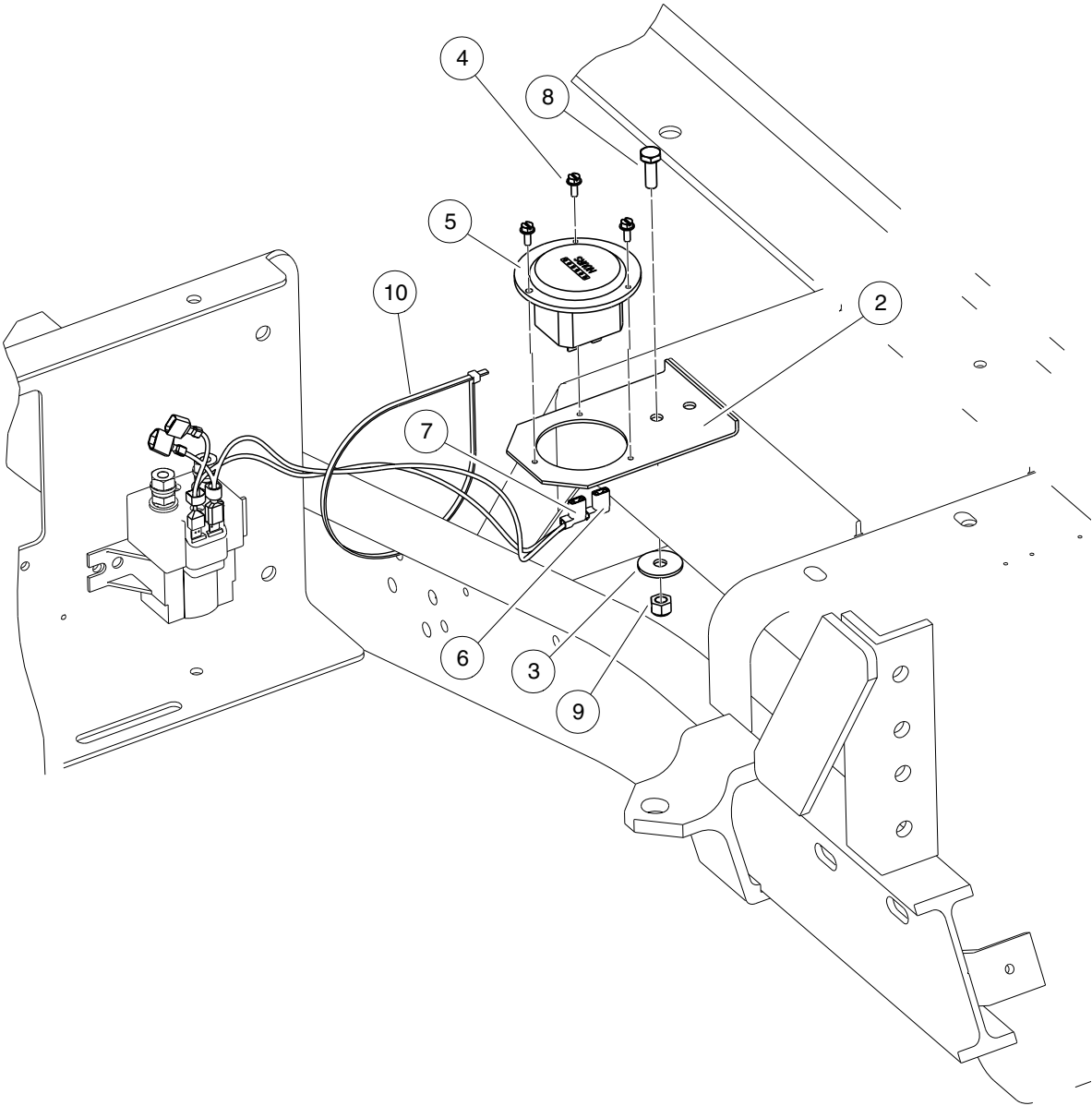


# ELECTRICAL COMPONENTS

13

E

ITEM	PART NO.	DESCRIPTION	QTY
		<b>1 2 3 4</b>	
1	N/A	Asm, Electrical Component Box (includes items 2 through 23) .....	1
2	1012528	Nut, M8-1.25 Hex .....	2
3	1013734	Lockwasher, 8mm Split .....	2
4	1015720	Screw, #6-32 X 1/2 Hex Washer-Head .....	2
5	101828601	Relay, 48-Volt .....	1
6	102240501	Bolt, Controller, Terminal .....	3
7	102774501	Controller, 500 Amp .....	1
8	102774602	Computer, Onbrd, 8x 6v, 38" .....	1
9	102774701	Solenoid, 48v, lth-150 .....	1
10	102817101	Screw, 1/4-20 X .50 Hex Wsh Hd .....	5
11	102817201	Screw, 1/4-20 X .88 Hex Wsh Hd .....	4
12	102845401	Wire Harness, Power, IQ Plus (includes items 13 through 18) .....	1
13	N/A	Asm, #4 Grn Wire, 37" .....	1
14	N/A	Asm, #4 Wht Wire, 36.5" .....	1
15	N/A	Asm, #10 Org Wire, 39" .....	1
16	N/A	Asm, #10 Blu Wire, 46" .....	1
17	N/A	Asm, #4 Red Wire, 33" .....	1
18	8639	Tie Wrap, 11" Nylon .....	3
19	102859501	Screw, M6 X 1 X 20 Ser Hex Flg .....	2
20	102863801	Wire Asm, #4 Yellow, 12.5" .....	1
21	102931101	Plate, Component, Rear .....	1
22	103221901	Asm, Wire Harness, Carryall 2, Elec .....	1
23	8990	Tie Wrap, 8" Nylon .....	3



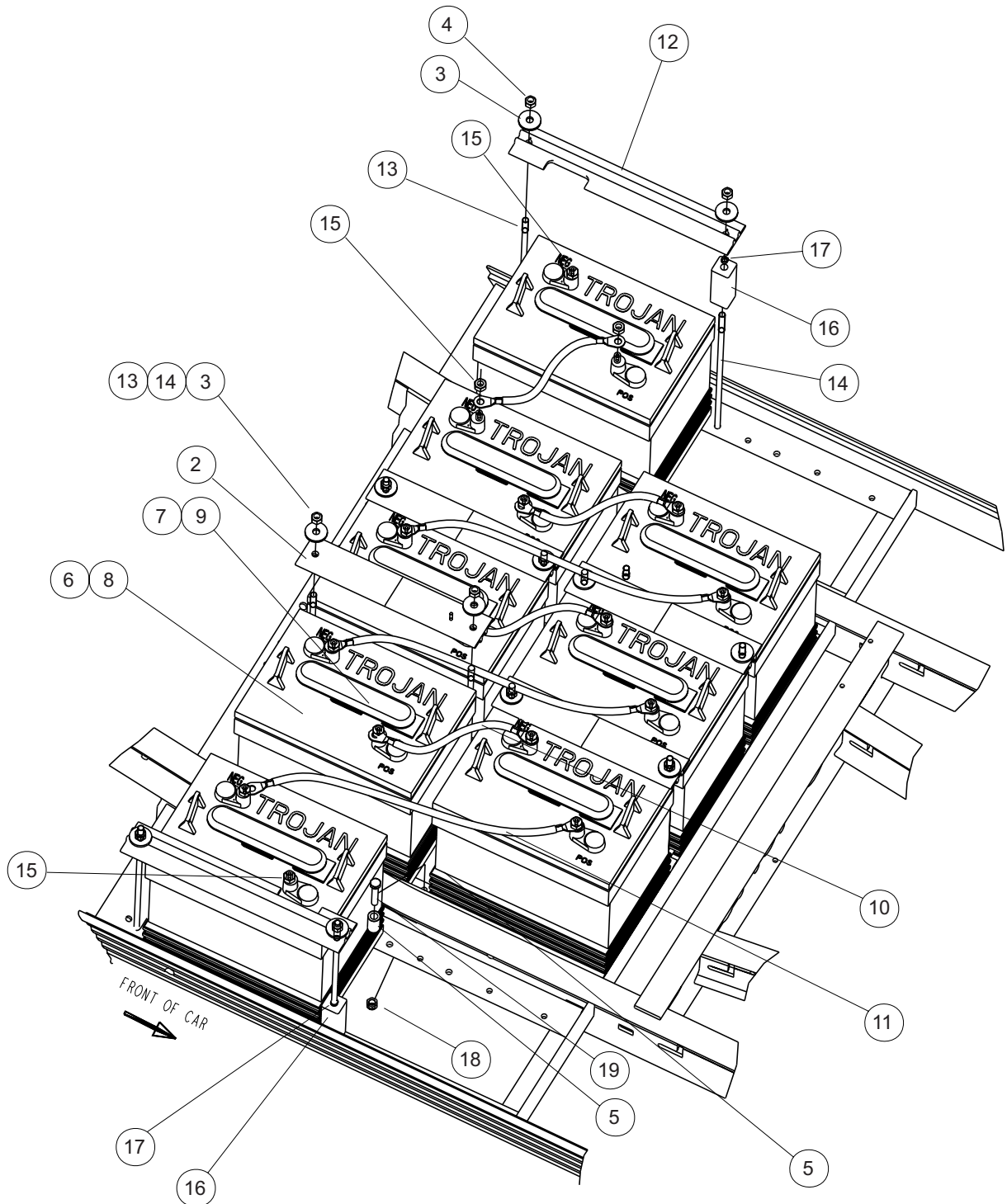
000346-002

## HOUR METER – TURF 2, 252, CARRYALL 252, XRT 900

ITEM	PART NO.	DESCRIPTION	QTY
		<b>1 2 3 4</b>	
1	N/A	Hour Meter Installation, IQ Plus (includes items 2 through 10) .....	1
2	1013547	Hour Meter Bracket .....	1
3	1014306	Washer, 1/4" Type B Flat .....	1
4	1014540	Screw, #6-32 X 3/8 Taptite .....	3
5	1016877	Hour Meter .....	1
6	N/A	Wire Assembly #18 Yellow .....	1
7	101997902	Wire Assembly #18 Red .....	1
8	7847	Screw, 1/4-20 X 0.75 Hex-Head Cap .....	1
9	8233	Locknut, 1/4-20 Nylon Insert .....	1
10	8990	Tie Wrap, 8" Nylon .....	1

13

E



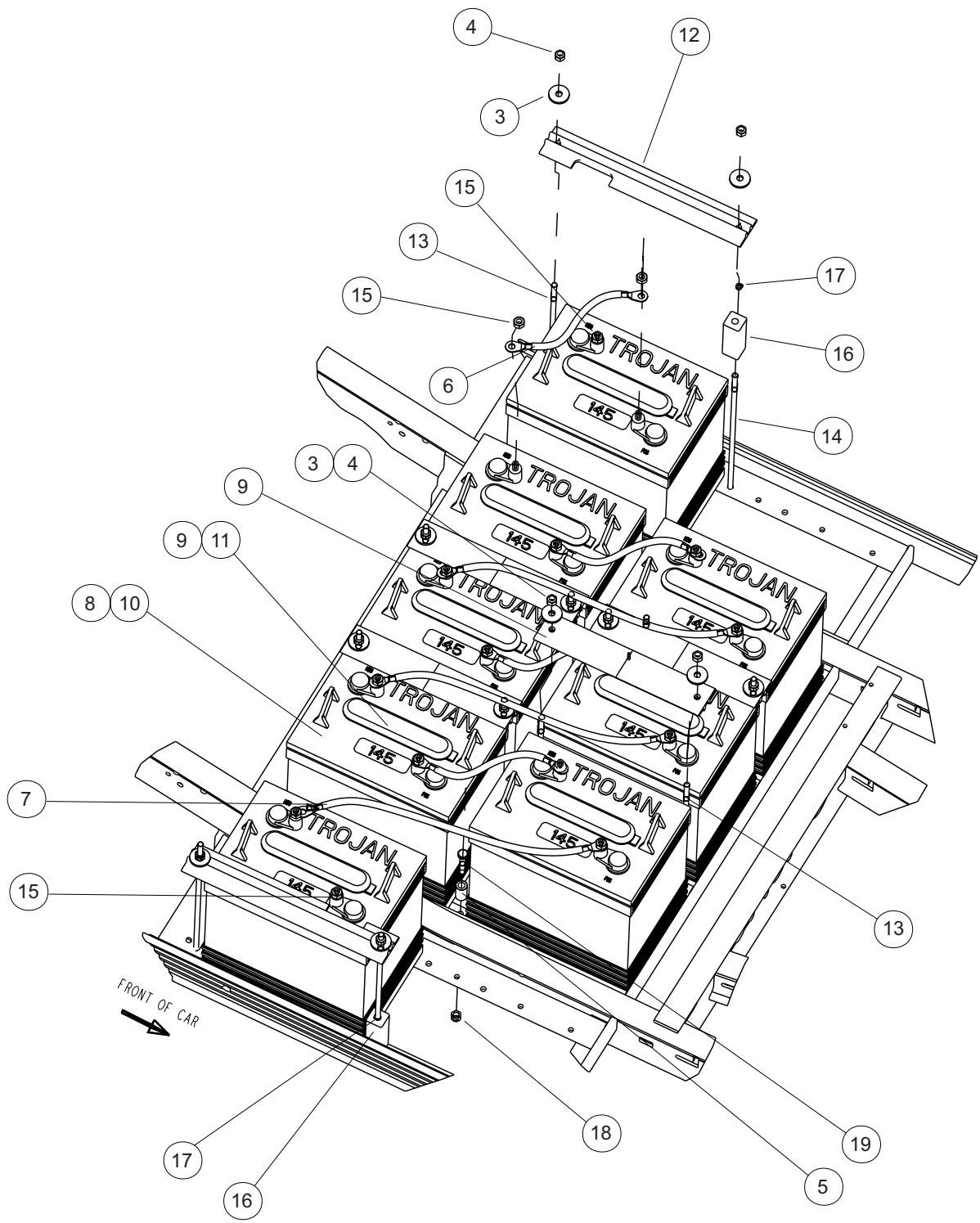
000409-001

# BATTERIES, T-105

ITEM	PART NO.	DESCRIPTION	QTY
		<b>1 2 3 4</b>	
1	N/A	Battery Install, Carryall 2 IQ Plus w/T-105 Batteries (includes items 2 through 19) .....	1
2	101090801	Hold-Down, Battery .....	4
3	1012571	Washer, 5/16 Extra Thick Flat .....	12
4	1015072	Locknut, 5/16-18 Nylon Insert .....	12
5	1015608	Tube Spacer, Hydraulic Cylinder .....	2
6	101661601	Battery, 6v Trojan T105 (Wet) (includes item 7) .....	8
7	101831401	Battery Cap 6 Volt .....	1
8	101661602	Battery, 6v Trojan T105 (Dry, also known as moist) (includes item 9) .....	8
9	101831401	Battery Cap 6 Volt .....	1
10	102002901	Wire Assy, #4 Black .....	4
11	102764001	Wire Asm, #4 Black .....	3
12	102766201	Hold Down, Outside .....	2
13	102845201	Rod, Battery Hold Down 9.7" .....	10
14	102845203	Rod, Battery Hold Down 10.7" .....	2
15	102873401	5/16-18 Heavy Hex Nut .....	16
16	102980801	Extr, Plastic, 1 X 1 X 3 .....	2
17	102980901	Clamp, Hose, Nylon, .25 .....	2
18	7473	Locknut, 5/16-18 Nylon Insert .....	2
19	8963	Screw, 5/16-18 X 1.75 Hex-Head Cap .....	2

**13**

**E**



000409-002

# BATTERIES, T-145

ITEM	PART NO.	DESCRIPTION	QTY
		<b>1 2 3 4</b>	
1	N/A	Battery Install, Carryall 2 IQ Plus w/T-145 Batteries (includes items 2 through 19) .....	1
2	101090801	Hold-Down, Battery .....	4
3	1012571	Washer, 5/16 Extra Thick Flat .....	12
4	1015072	Locknut, 5/16-18 Nylon Insert .....	12
5	1015608	Tube Spacer, Hydraulic Cylinder .....	2
6	102002901	Wire Assy, #4 Black .....	4
7	102764001	Wire Asm, #4 Black .....	3
8	102764401	Battery, 6v Trojan T145 (wet) (includes item 9) .....	8
9	101831401	Battery Cap 6 Volt .....	1
10	102764402	Battery, 6v Trojan T145 (Dry, also known as moist) (includes item 11) .....	8
11	101831401	Battery Cap 6 Volt .....	1
12	102766201	Hold Down, Outside .....	2
13	102845203	Rod, Battery Hold Down 10.7" .....	10
14	102845204	Rod, Battery Hold Down 12" .....	2
15	102873401	5/16-18 Heavy Hex Nut .....	16
16	102980801	Extr, Plastic, 1 X 1 X 3 .....	2
17	102980901	Clamp, Hose, Nylon, .25 .....	2
18	7473	Locknut, 5/16-18 Nylon Insert .....	2
19	8963	Screw, 5/16-18 X 1.75 Hex-Head Cap .....	2

**13**

**E**

13

*E*

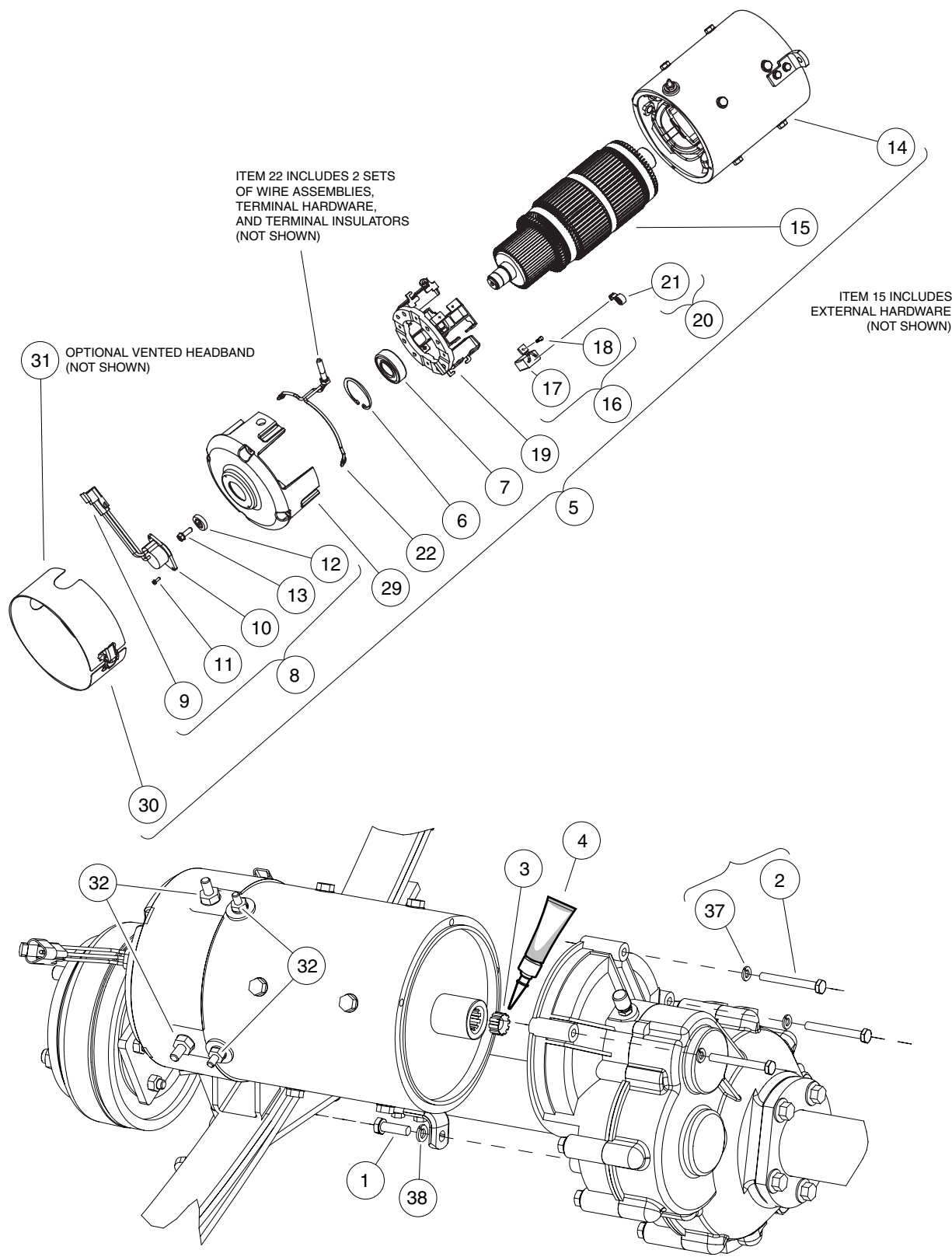


# ELECTRIC MOTOR

---

14

*E*



000411-001

# MOTOR (MODEL DA5-4006)

ITEM	PART NO.	DESCRIPTION	QTY
		<b>1 2 3 4</b>	
1	1010934	Screw, 5/16-18 X 1.00 Hex Cap .....	1
2	1014201	Screw, 1/4-20 X 2.25 Hex Cap .....	3
3	102235201	Bumper, Drive Unit .....	1
4	102243403	Lubricant, Moly-Teflon (Single-Use Tube) .....	1
5	102775101	IQ Plus Electric Motor, 48-VDC 3.7 hp (includes items 6 through 30) .....	1
6	102186301	Ring, 2.24" Internal Retaining .....	1
7	102186401	Bearing, Ball .....	1
8	102704901	Kit, Speed Sensor (includes items 9 through 13) .....	1
9	101942301	Kit, 3-Pin Wedge Lock .....	1
10	N/A	Sensor, Motor Speed, ADC .....	1
11	N/A	Screw, #8-32, Taptite Thread .....	2
12	N/A	Magnet, ADC Motor .....	1
13	N/A	Screw, 1/4-20 x 0.5 .....	1
14	102938401	Asm, Frame And Field, 3.7 Hp .....	1
15	N/A	Armature (Includes external hardware - not shown) .....	1
16	102938601	Kit, Brush, 3.7 Hp (includes items 17 and 18) .....	1
17	N/A	Brush, Motor .....	8
18	N/A	Screw, Taptite .....	8
19	102938701	Asm, Brush Box, 3.7 Hp .....	1
20	102938801	Kit, Brush Spring, 3.7 Hp (includes item 21) .....	1
21	N/A	Brush Spring .....	8
22	102938901	Kit, Brush Lead Asm, 3.7 Hp (includes items 23 through 28) .....	1
23	N/A	Terminal and Lead Assembly .....	2
24	N/A	Insulator, Terminal .....	2
25	N/A	Washer, Insulating .....	2
26	N/A	Washer, Flat, 5/16, Brass/Bronze .....	2
27	N/A	Nut, 5/16, Steel .....	4
28	N/A	Lockwasher, 5/16, Steel .....	2
29	102939001	Commutator End Head, 3.7 Hp .....	1
30	102939101	Sealed Headband, 3.7 Hp .....	1
31	102939102	Vented Headband, 3.7 HP (optional - not shown) .....	1
32	102951701	Pkg, Terminal Hardware, 3.7hp (includes items 33 through 36) .....	1
33	N/A	Nut, 5/16, Steel .....	2
34	N/A	Lockwasher, 5/16, Steel .....	2
35	N/A	Nut, 1/4-20, Steel .....	2
36	N/A	Lockwasher, 1/4-20, Steel .....	2
37	451	Lockwasher, 1/4 Helical Split .....	3
38	7174	Lockwasher, 5/16 Split .....	1

**14**

**E**

**14**

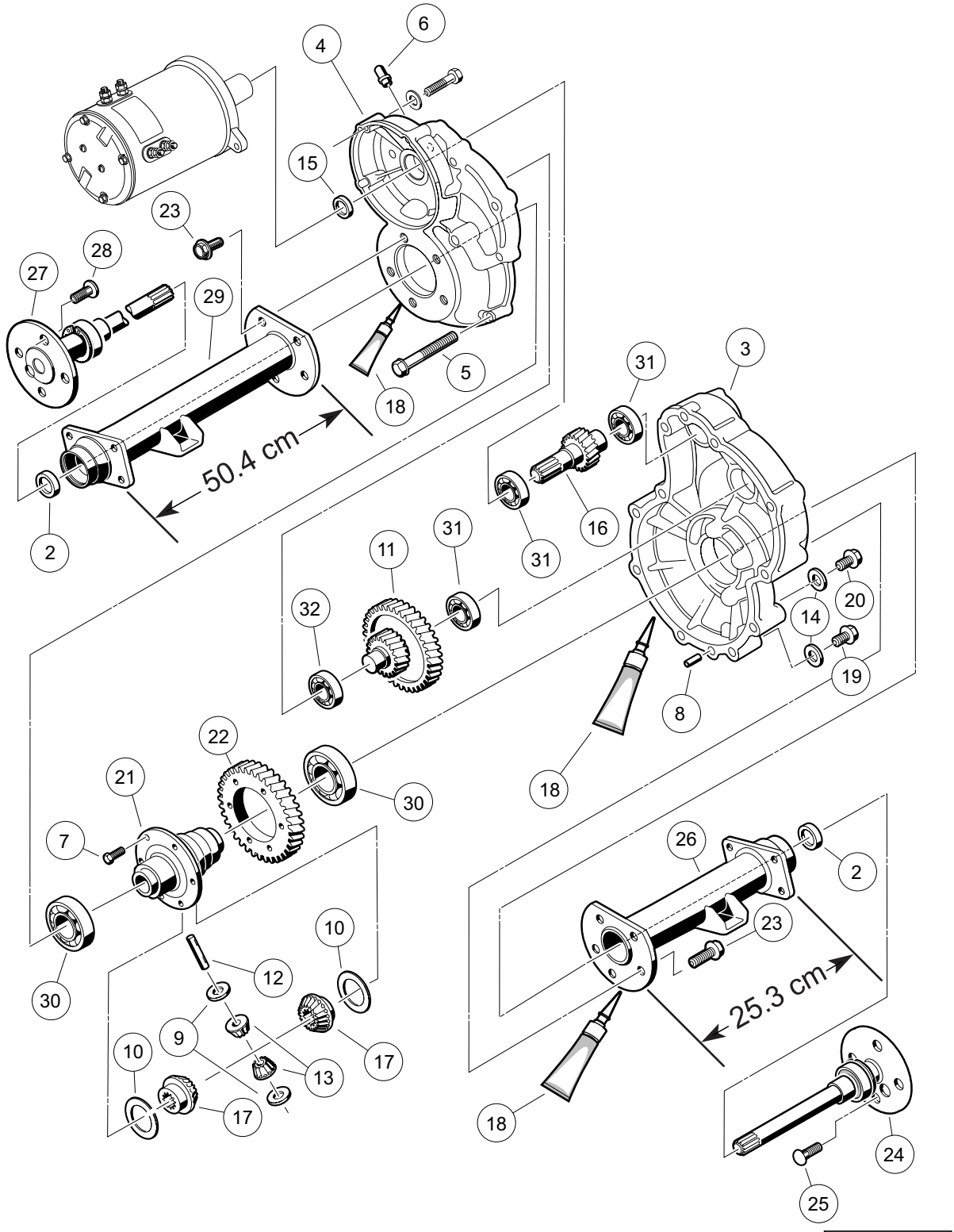
***E***

# TRANSAXLE – ELECTRIC VEHICLES

---

15

*E*



000223-002

# TRANSAXLE

15

E

ITEM	PART NO.	DESCRIPTION	QTY
		<b>1 2 3 4</b>	
1	102771701	Transaxle, Electric (includes items 2 through 32) .....	1
2	1013794	Axle Shaft Oil Seal .....	2
3	101895401	Gear Case, Left-Hand .....	1
4	101895501	Gear Case, Passenger-Side .....	1
5	101897001	Screw, M8-1.25 X 60mm Hex-Head .....	11
6	101897201	Breather .....	1
7	101897401	Screw, M10-1.25 X 25mm .....	6
8	101897601	Pin, 11mm OD X 8.5mm ID X 10mm .....	2
9	101903601	Washer, Thrust .....	2
10	101903701	Washer, Thrust .....	2
11	101906901	Intermediate Shaft Assembly .....	1
12	101922101	Pin, 15.99mm X 88.7mm Dowel .....	1
13	101923001	Gear, Differential Idler .....	2
14	101923201	Gasket .....	2
15	101923501	Seal, Lip .....	1
16	101923701	Shaft, Input .....	1
17	101923901	Gear, Differential .....	2
18	101928701	Liquid Gasket (Transaxle case) .....	A/R
19	101972101	Plug, M14-1.5 X 12mm Magnetic .....	1
20	101972201	Plug, M14-1.5 X 12mm Hex .....	1
21	102356601	Housing, Differential, 6 Bolt .....	1
22	102356801	Gear, Differential Output, 6-Bolt .....	1
23	102357001	Screw, Flg Hd M10 X 1.5 X 30 .....	10
24	102886301	Axle Assembly, Driver-Side (includes item 25) .....	1
25	101922201	Lug Stud .....	4
26	102886401	Tube, Axle, Driver-Side .....	1
27	102886501	Axle Assembly, Passenger-Side (includes item 28) .....	1
28	101922201	Lug Stud .....	4
29	102886601	Tube, Axle, Passenger-Side .....	1
30	7330	Inner Axle Tube Bearing .....	2
31	7335	Bearing .....	3
32	7336	Bearing .....	1

**15**

***E***

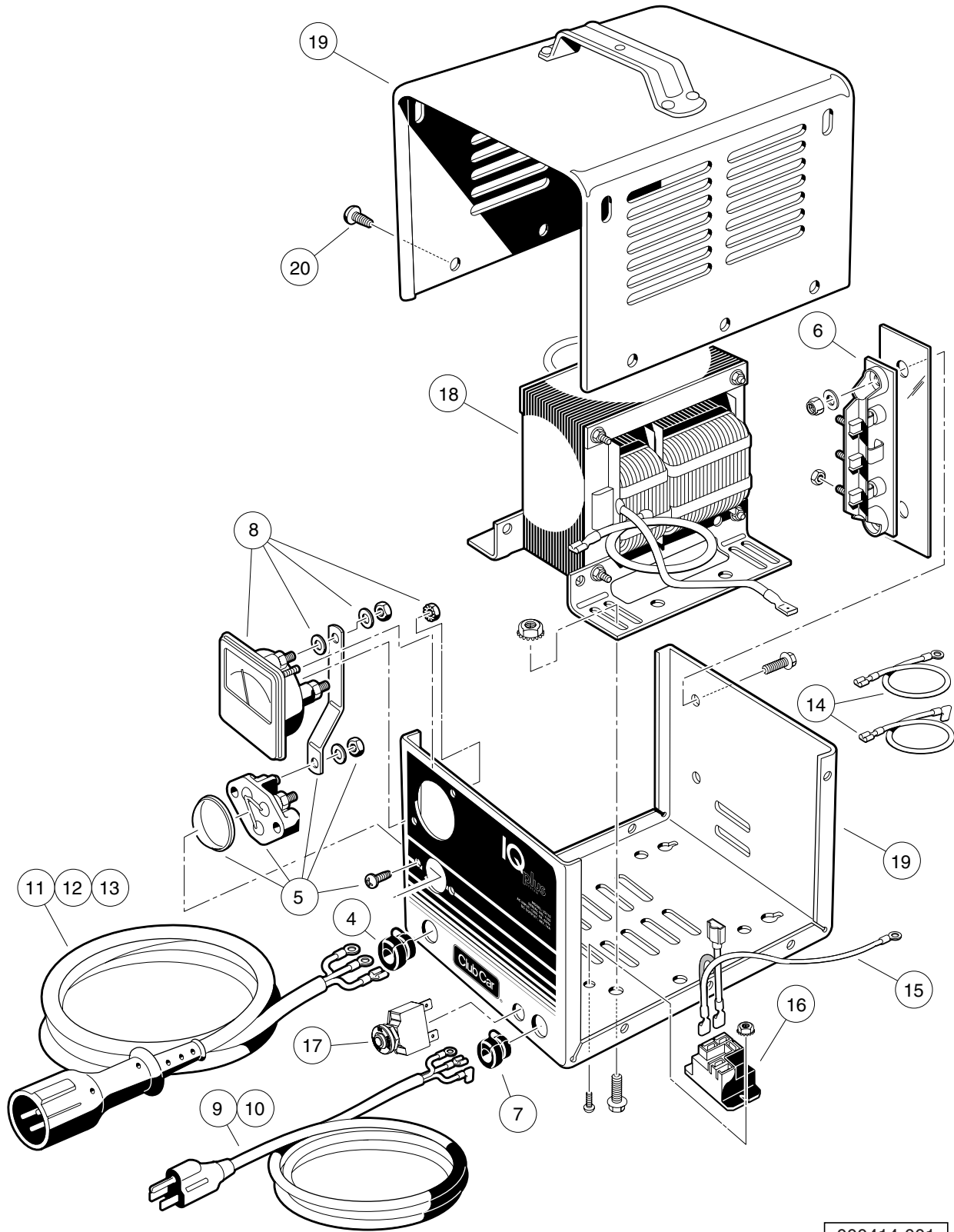


# BATTERY CHARGER

---

16

*E*



000414-001

# IQ PLUS DOMESTIC BATTERY CHARGER (MODEL 25730)

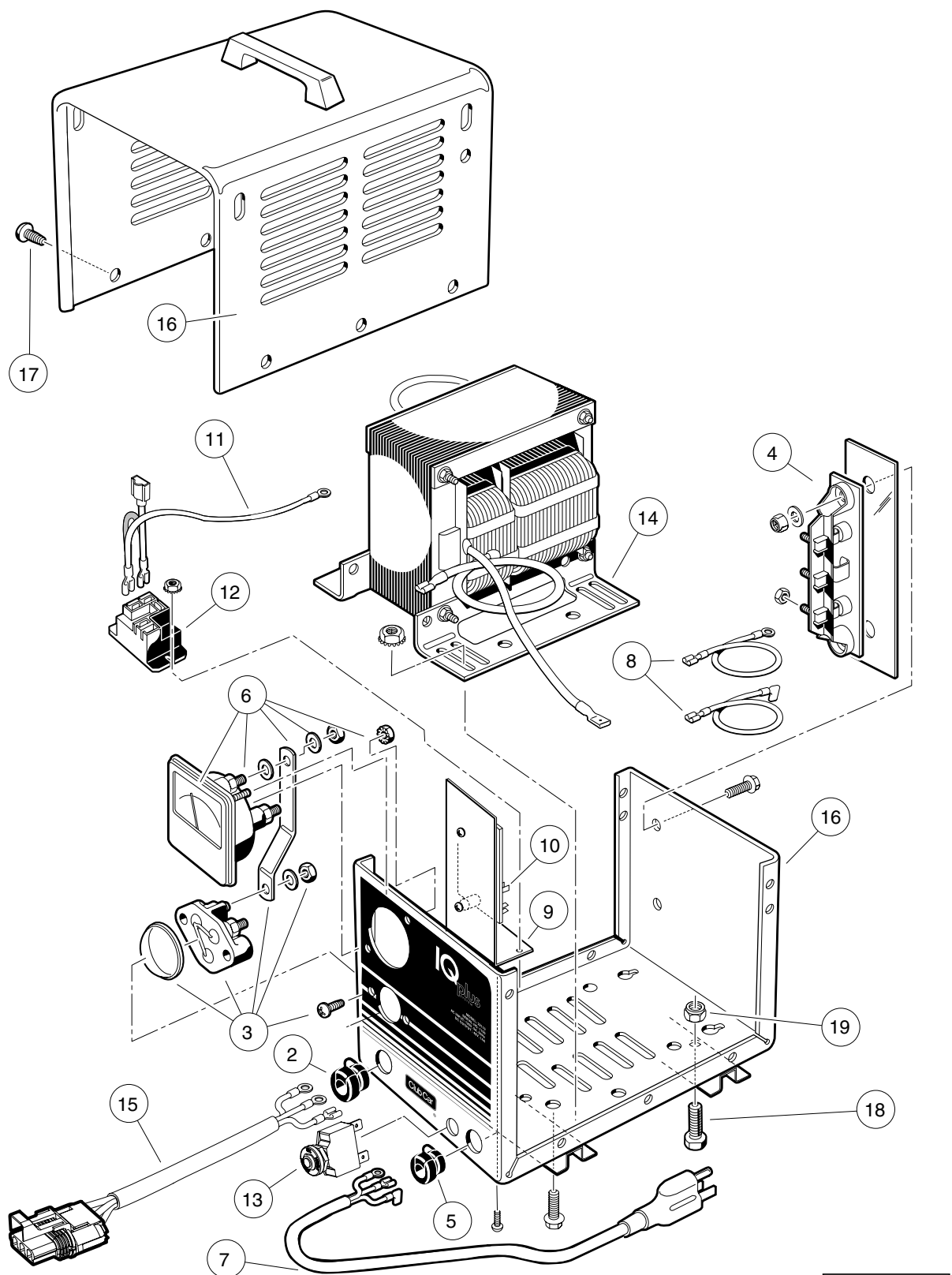
ITEM	PART NO.	DESCRIPTION	QTY
		1 2 3 4	
1	102847801	48-V/17-A IQ Plus (9-ft. DC Cord, 6-ft. AC Cord) .....	1
2	102847802	48-V/17-A IQ Plus (12-ft. DC Cord, 9-ft. AC Cord) .....	1
3	102847803	48-V/17-A IQ Plus (20-ft. DC Cord, 9-ft. AC Cord) (includes items 4 through 20) .....	1
4	1012098	Bushing, DC Cord .....	1
5	1012101	Fuse Assembly .....	1
6	1015914	Rectifier with Heatsink Assembly .....	1
7	1015917	Bushing, AC Cord .....	1
8	****	Ammeter .....	1
9	101828801	Cord, AC, 80-Inch (203 cm) .....	1
10	101828802	Cord, AC, 108-Inch (274 cm) .....	1
11	101828901	Cord, DC, 113-Inch (287 cm) .....	1
12	101828902	Cord, DC, 154-Inch (391 cm) .....	1
13	101828903	Cord, DC, 250-Inch (635 cm) .....	1
14	101831101	Wire Assembly Kit .....	1
15	101914401	Assembly, Voltage Suppressor .....	1
16	102275401	Relay, 48-VDC .....	1
17	102838101	Circuit Breaker 250vac-50vdc .....	1
18	N/A	Transformer, Battery Charger .....	1
19	N/A	Case, Battery Charger .....	1
20	7577	Screw, #10 X 0.50 Phillips Pan-Head .....	10
**** Special order item available upon request.			

16

E

16

E



000415-001

# IQ PLUS ONBOARD BATTERY CHARGER (MODEL 25260)

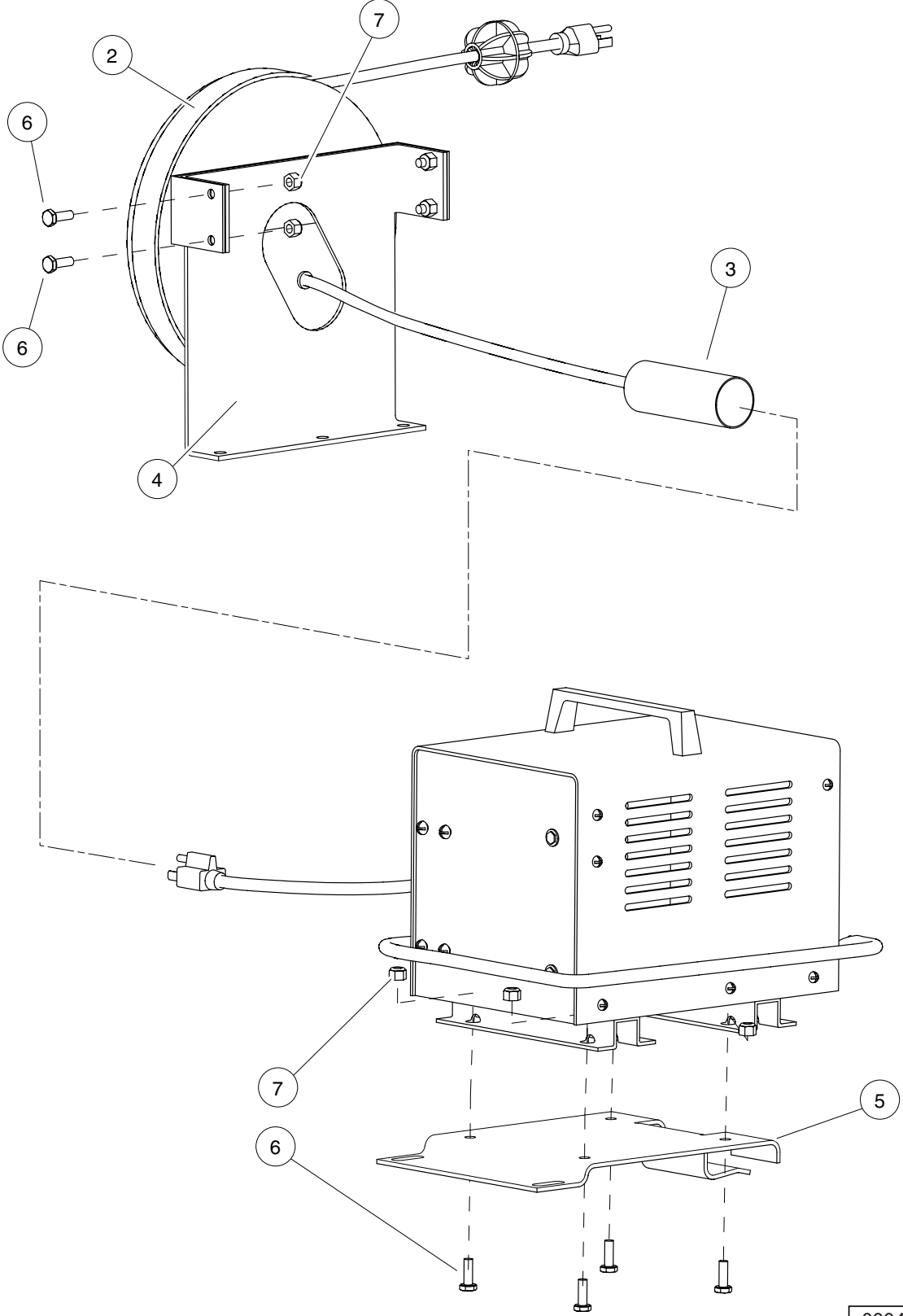
ITEM	PART NO.	DESCRIPTION	QTY
		1 2 3 4	
1	102837001	Battery Charger, Onboard, 120-VAC, 48-VDC (includes items 2 through 19) .....	1
2	1012098	Bushing, DC Cord .....	1
3	1012101	Fuse Assembly .....	1
4	1015914	Rectifier with Heatsink Assembly .....	1
5	1015917	Bushing, AC Cord .....	1
6	****	Ammeter .....	1
7	101829001	Cord, AC, 22-Inch (56 cm) .....	1
8	101831101	Wire Assembly Kit .....	1
9	****	Mounting Bracket, Relay .....	1
10	101841901	Control Board .....	1
11	101914401	Assembly, Voltage Suppressor .....	1
12	102275401	Relay, 48-VDC .....	1
13	102838101	Circuit Breaker 250vac-50vdc .....	1
14	N/A	Transformer, Battery Charger .....	1
15	102940801	Cord, Dc .....	1
16	N/A	Case, Battery Charger .....	1
17	7577	Screw, #10 X 0.50 Phillips Pan-Head .....	12
18	7847	Screw, 1/4-20 X 0.75 Hex-Head Cap .....	4
19	8233	Locknut, 1/4-20 Nylon Insert .....	4
**** Special order item available upon request.			

16

E

16

E



000419-001

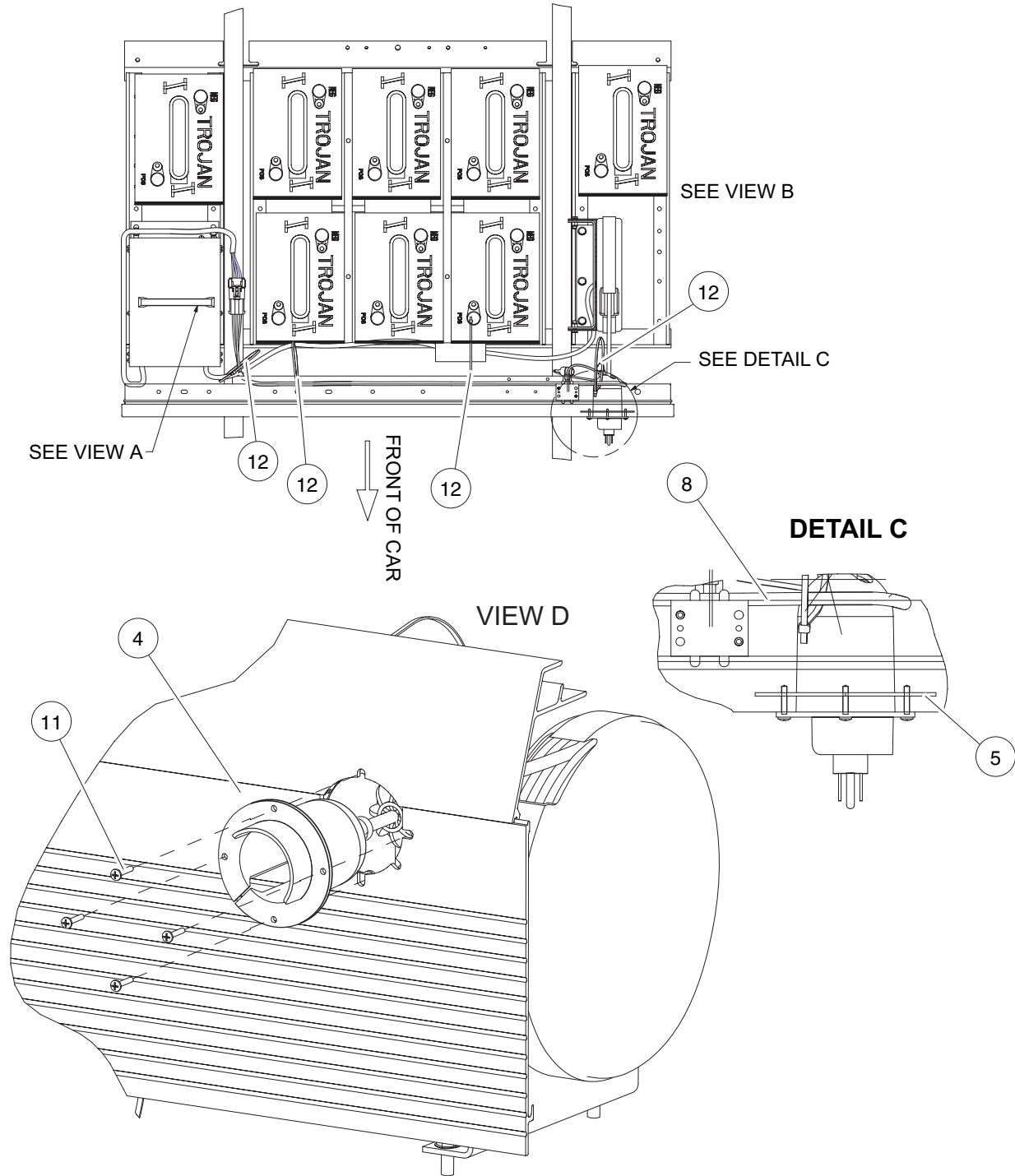
# ONBOARD CHARGER (MODEL 25260) AND REEL MOUNTING

ITEM	PART NO.	DESCRIPTION	QTY
		1 2 3 4	
1	N/A	Onboard Charger Installation, IQ Plus (domestic) (includes items 2 through 7) .....	1
2	1017187	Retractable Cord Reel .....	1
3	1017189	Heat Shrink Tube 1.5"x 4' .....	A/R
4	102770701	Bracket, Reel, Tabbed .....	1
5	102844001	Plate, Charger Mtg .....	1
6	7847	Screw, 1/4-20 X 0.75 Hex-Head Cap .....	8
7	8233	Locknut, 1/4-20 Nylon Insert .....	8

16

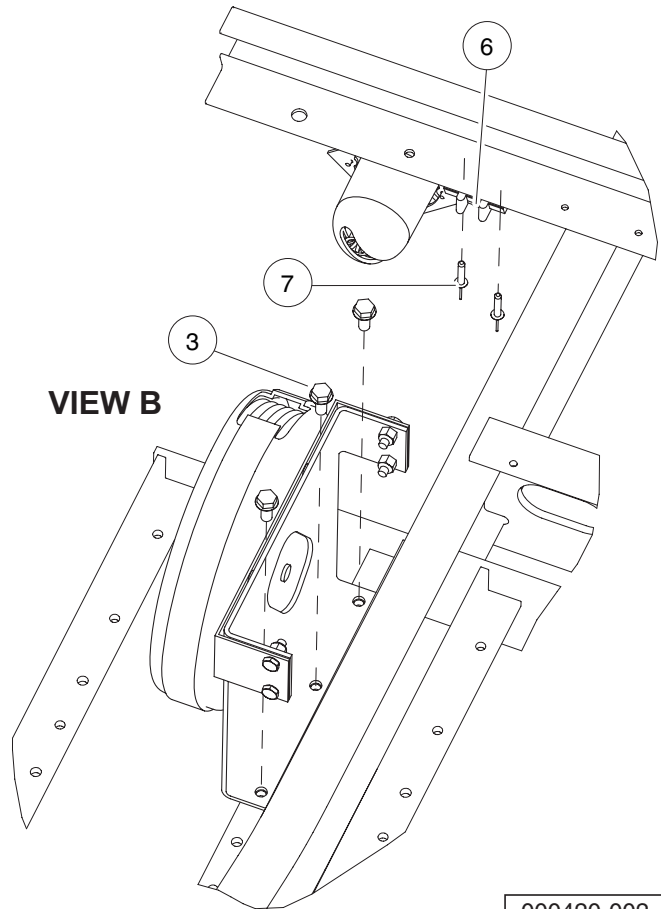
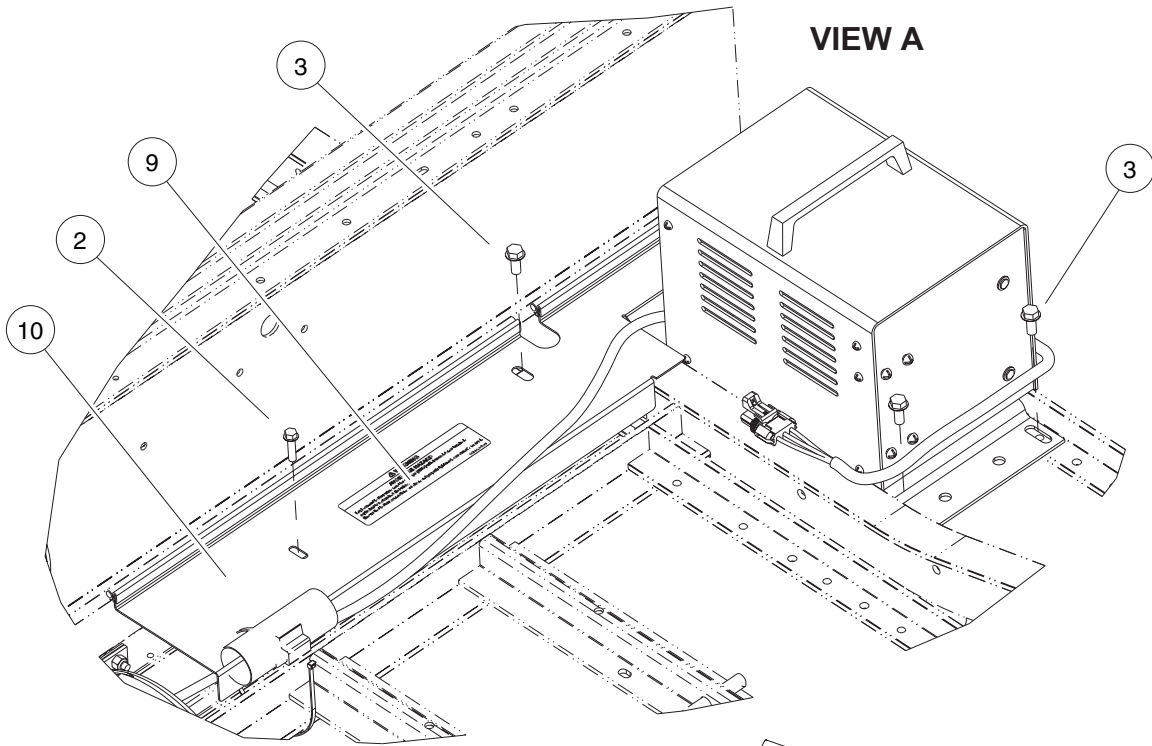
E

# Turf/Carryall 2 IQ Plus Onboard Charger (Model 25260) Mounting



000420-002





000420-002

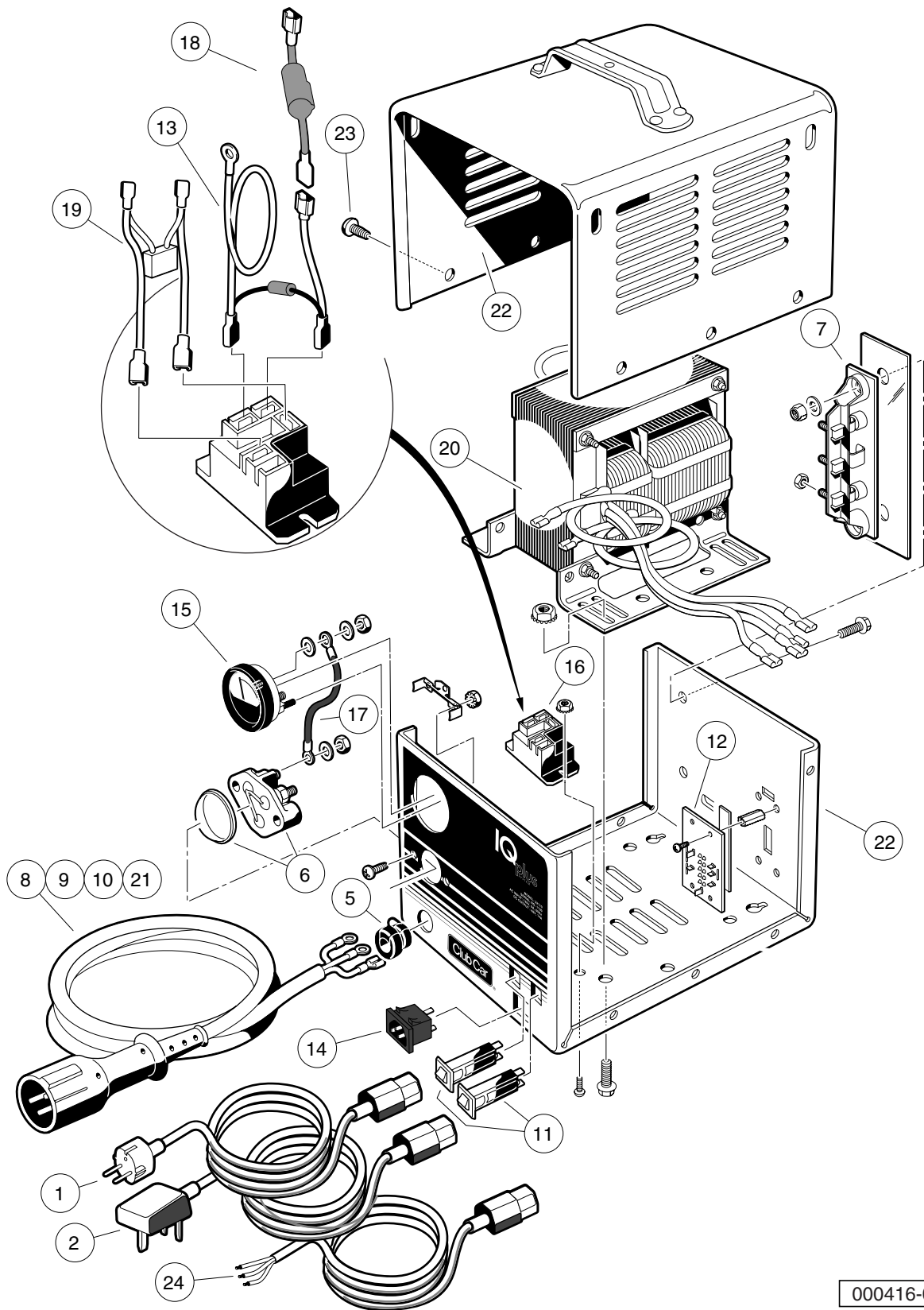
See previous two pages for illustration.

# ONBOARD CHARGER (MODEL 25260) AND REEL MOUNTING – IQ PLUS TURF/CARRYALL 2, CONTINUED

ITEM	PART NO.	DESCRIPTION	QTY
		1 2 3 4	
1	N/A	Onboard Charger Installation, IQ Plus (domestic) (includes items 2 through 12) .....	1
2	1014063	Screw, 1/4-20 X 1.00 Hex Head .....	1
3	1014288	Screw, 5/16-18 X 0.75 Thread-Forming .....	6
4	1016673	Housing, Cord Reel .....	1
5	101801001	Plate, Receptacle Backing .....	1
6	101966801	Block, Terminal .....	1
7	101968801	Rivet, 3/16", Pop .....	2
8	102881401	Charger Harness, IQ Plus, 55" .....	1
9	102967601	Decal, Warning, 4 Gauge Wire .....	1
10	103353501	Shield .....	1
11	8796	Screw, #7-19 X 0.75 Pan-Head Type AB .....	4
12	8990	Tie Wrap, 8" Nylon .....	4

16

E



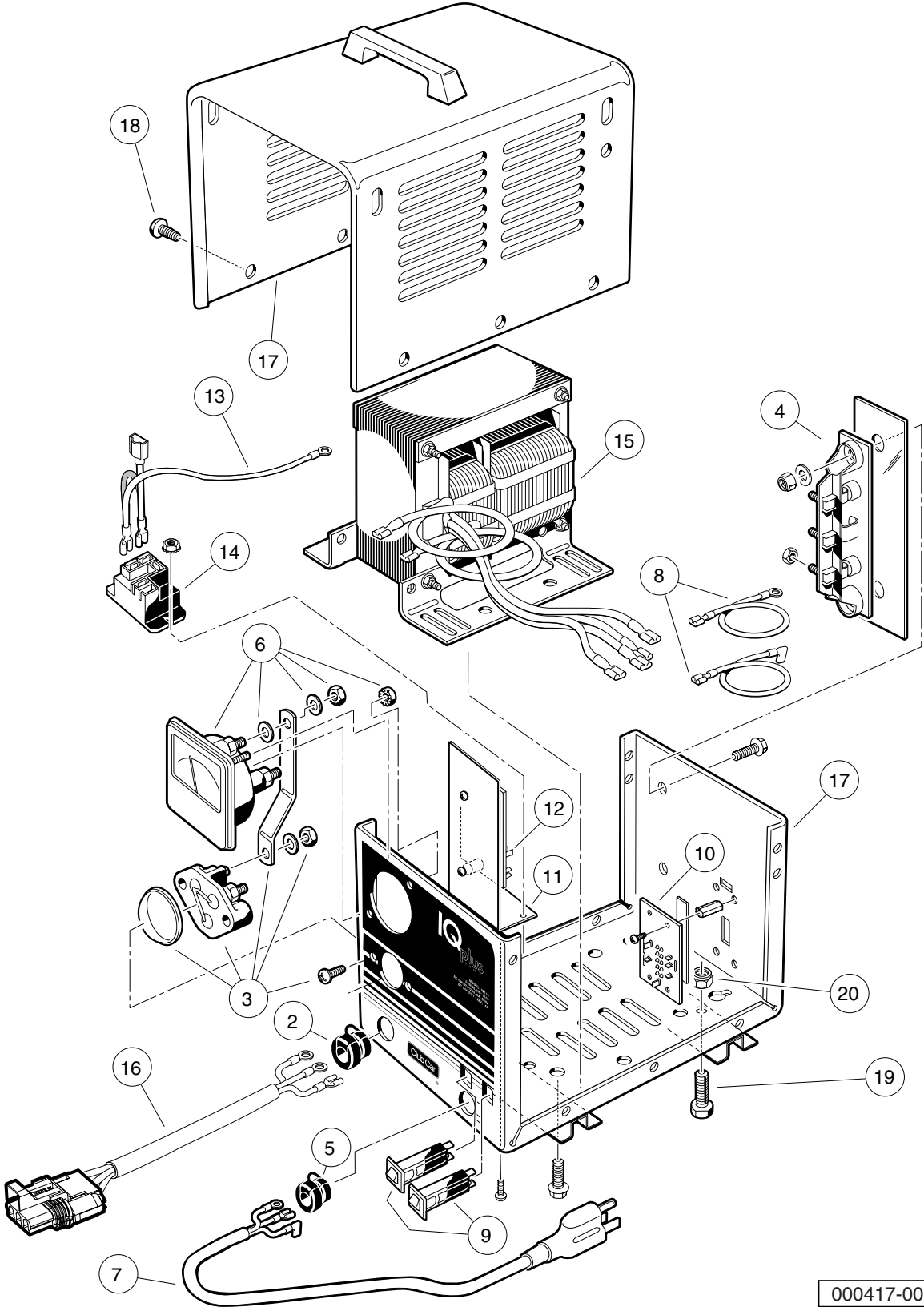
000416-001

# IQ PLUS BATTERY CHARGER (MODEL 25880), EXPORT AND EUROPEAN

16

E

ITEM	PART NO.	DESCRIPTION	QTY
		1 2 3 4	
1	101958201	Cord, UK, AC, Battery Charger .....	1
2	101958301	Cord, European AC, Battery Charger .....	1
3	102892901	Charger, Export and European .....	1
4	102892902	Charger, Export and European (includes items 5 through 23) .....	1
5	1012098	Bushing, DC Cord .....	1
6	1012101	Fuse Assembly .....	1
7	1015914	Rectifier with Heatsink Assembly .....	1
8	101828901	Cord, DC, 113-Inch (287 cm) .....	1
9	101828902	Cord, DC, 154-Inch (391 cm) .....	1
10	101828903	Cord, DC, 250-Inch (635 cm) .....	1
11	101838401	Circuit Breaker .....	2
12	101838601	Four-Position Switch .....	1
13	101914401	Assembly, Voltage Suppressor .....	1
14	101973501	Receptacle, AC Cord .....	1
15	101976601	Ammeter with Mounting Bracket .....	1
16	102275401	Relay, 48-VDC .....	1
17	N/A	Wire, Jumper .....	1
18	****	Limiters, Current .....	1
19	****	Wire Assembly, Battery Charger .....	1
20	****	Transformer, Battery Charger .....	1
21	102940801	Cord, Dc .....	1
22	N/A	Case, Battery Charger .....	1
23	7577	Screw, #10 X 0.50 Phillips Pan-Head .....	10
24	102939501	Cord, European AC, Battery Charger .....	1
**** Special order item available upon request.			



000417-001

# IQ PLUS ONBOARD BATTERY CHARGER (MODEL 25660), EXPORT

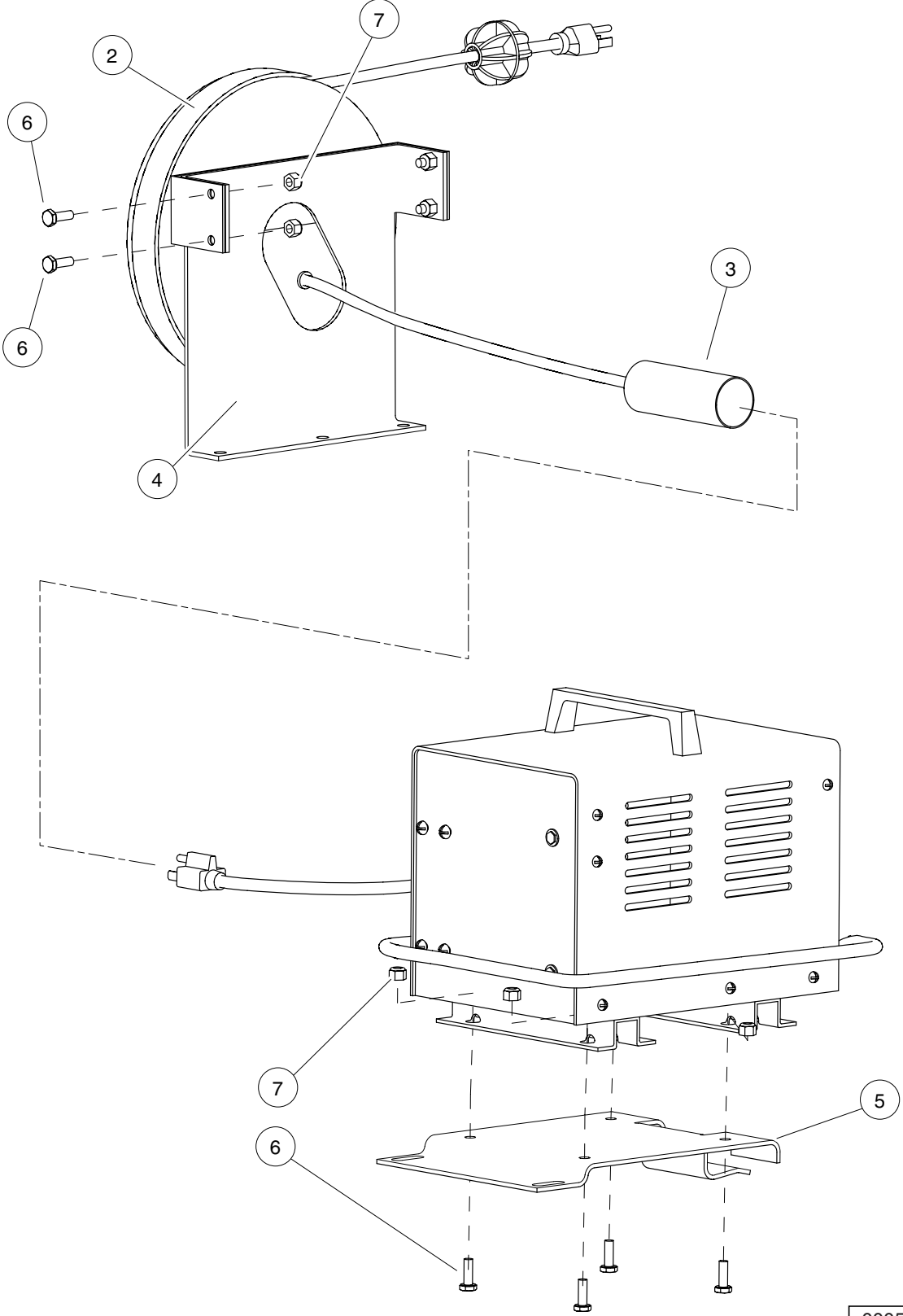
ITEM	PART NO.	DESCRIPTION	QTY
		1 2 3 4	
1	102893001	Battery Charger, Onboard, International, IQ Plus (includes items 2 through 20) .....	1
2	1012098	Bushing, DC Cord .....	1
3	1012101	Fuse Assembly .....	1
4	1015914	Rectifier with Heatsink Assembly .....	1
5	1015917	Bushing, AC Cord .....	1
6	****	Ammeter .....	1
7	101829001	Cord, AC, 22-Inch (56 cm) .....	1
8	101831101	Wire Assembly Kit .....	1
9	101838401	Circuit Breaker .....	2
10	101838601	Four-Position Switch .....	1
11	****	Mounting Bracket, Relay .....	1
12	101841901	Control Board .....	1
13	101914401	Assembly, Voltage Suppressor .....	1
14	102275401	Relay, 48-VDC .....	1
15	****	Transformer, Battery Charger .....	1
16	102940801	Cord, Dc .....	1
17	N/A	Case, Battery Charger .....	1
18	7577	Screw, #10 X 0.50 Phillips Pan-Head .....	12
19	7847	Screw, 1/4-20 X 0.75 Hex-Head Cap .....	4
20	8233	Locknut, 1/4-20 Nylon Insert .....	4
**** Special order item available upon request.			

16

E

16

E



000571-001



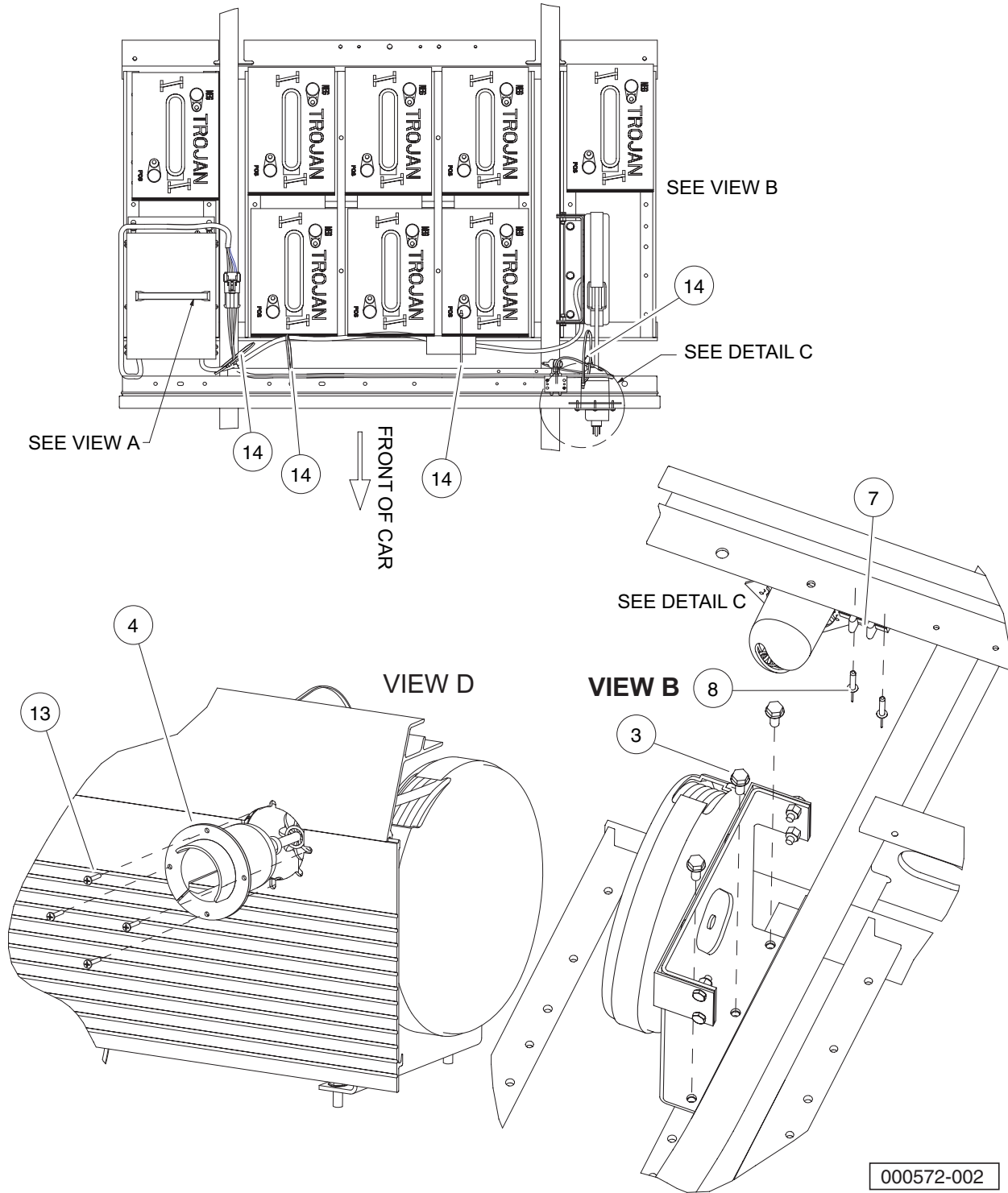
# ONBOARD CHARGER (MODEL 25660) AND REEL MOUNTING

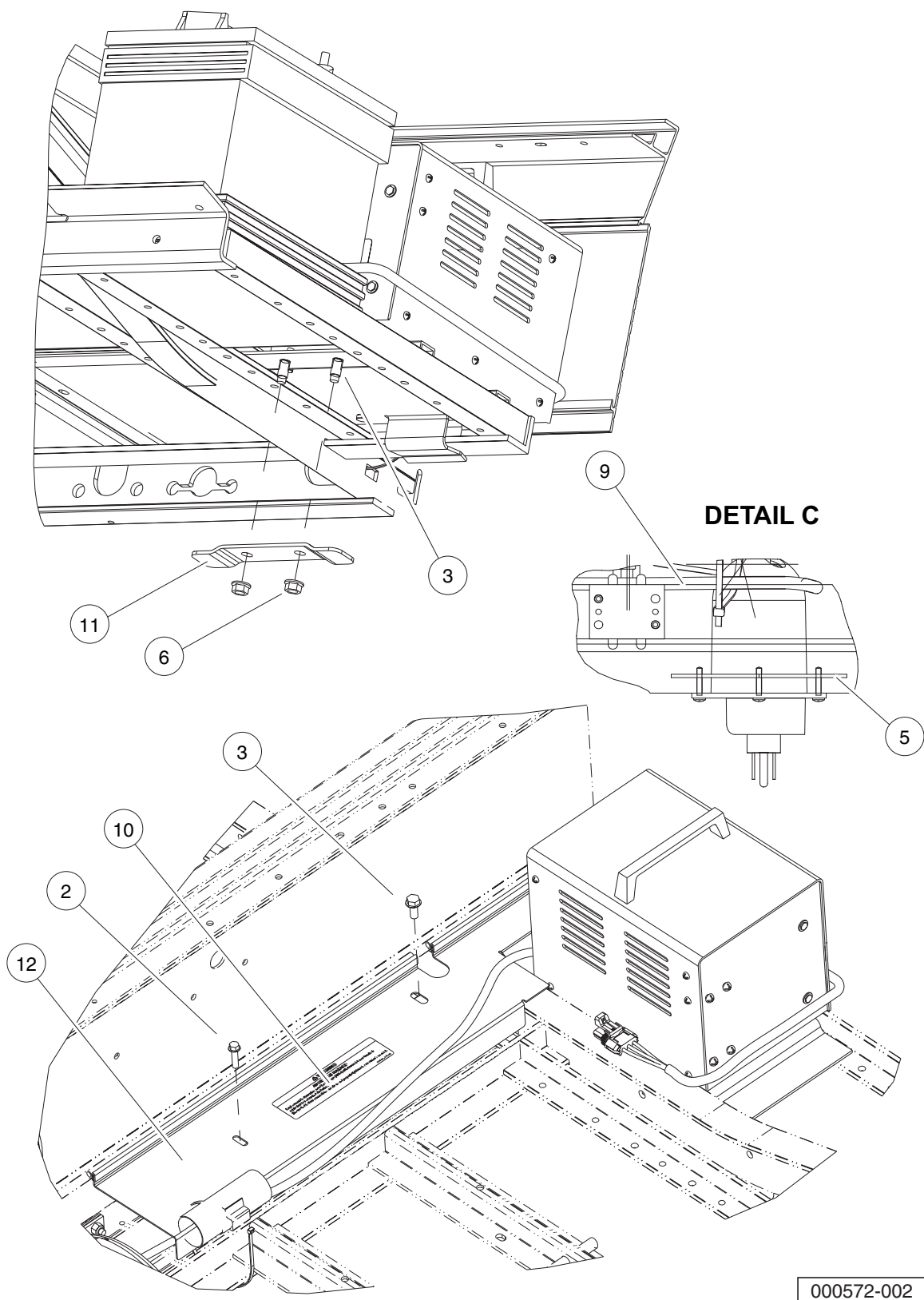
ITEM	PART NO.	DESCRIPTION	QTY
		1 2 3 4	
1	N/A	Onboard Charger Installation, IQ Plus (export) (includes items 2 through 7) .....	1
2	1017187	Retractable Cord Reel .....	1
3	1017189	Heat Shrink Tube 1.5"x 4' .....	A/R
4	102770701	Bracket, Reel, Tabbed .....	1
5	102844002	Asm, Charger Plate, Intl .....	1
6	7847	Screw, 1/4-20 X 0.75 Hex-Head Cap .....	8
7	8233	Locknut, 1/4-20 Nylon Insert .....	8

16

E

# Turf/Carryall 2 IQ Plus Onboard Charger (Model 25660) Mounting





000572-002

See previous two pages for illustration.

# ONBOARD CHARGER (MODEL 25660) AND REEL MOUNTING – IQ PLUS TURF/CARRYALL 2, CONTINUED

ITEM	PART NO.	DESCRIPTION	QTY
		1 2 3 4	
1	N/A	Onboard Charger Installation, IQ Plus (export) (includes items 2 through 14) .....	1
2	1014063	Screw, 1/4-20 X 1.00 Hex Head .....	1
3	1014288	Screw, 5/16-18 X 0.75 Thread-Forming .....	4
4	1016673	Housing, Cord Reel .....	1
5	101801001	Plate, Receptacle Backing .....	1
6	101832901	Nut, M10-1.25 Hex Flange .....	2
7	101966801	Block, Terminal .....	1
8	101968801	Rivet, 3/16", Pop .....	2
9	102881401	Charger Harness, IQ Plus, 55" .....	1
10	102967601	Decal, Warning, 4 Gauge Wire .....	1
11	103189101	Retainer, Charger Asm .....	1
12	103353501	Shield .....	1
13	8796	Screw, #7-19 X 0.75 Pan-Head Type AB .....	4
14	8990	Tie Wrap, 8" Nylon .....	4

16

E

**16**

***E***

# MAINTENANCE AND SERVICE TOOLS

---

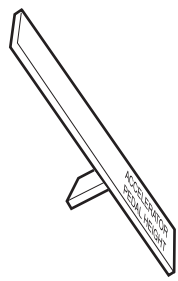
17

G

E

D

**17**  
**G**  
**E**  
**D**



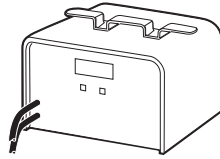
1



2



3



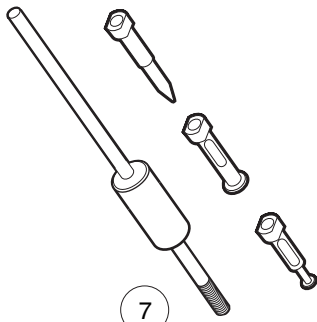
4



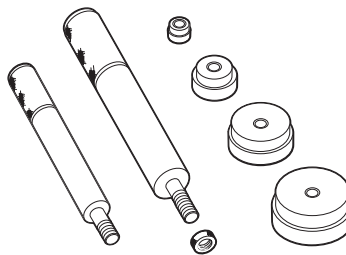
5



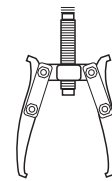
6



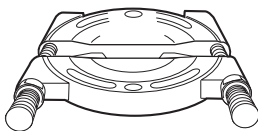
7



8



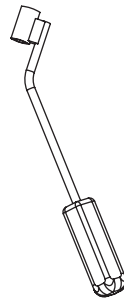
9



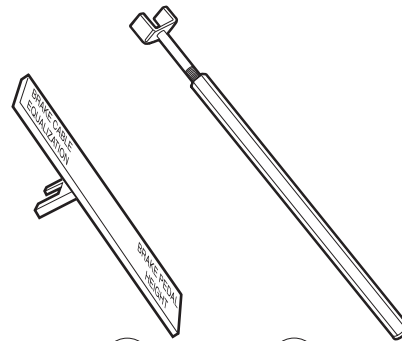
10



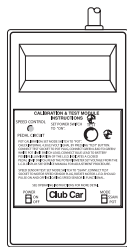
11



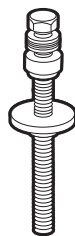
12



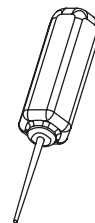
14 15  
13



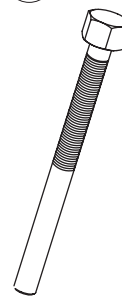
16



17



18



19



# MAINTENANCE AND SERVICE TOOLS

ITEM	PART NO.	DESCRIPTION	QTY DIESEL	QTY GAS	QTY ELEC
		<p style="text-align: center;">1 2 3 4</p> <p>The following tool list includes all tools available from Club Car for maintenance and service procedures for gasoline, electric, and/or diesel vehicles, both past and present models. Be sure to carefully examine the tool list for applicability to your vehicle before ordering.</p>			
1	101871001	Accelerator Pedal Adjustment Tool .....		1	1
2	101813202	Adhesive, Guide Ring, 3-Gram Tube .....			1
3	101641202	Arbor .....		1	
4	101831901	Battery Discharge Machine, 36/48 Volt .....			1
5	1014305	Battery Terminal Protector Spray .....	1	1	1
6	1011767	Battery Thermometer .....	1	1	1
7	1016417	Bearing and Oil Seal Remover Assembly .....	1	1	1
8	1016416	Bearing Driver Set .....	1	1	1
9	1012811	Bearing Puller .....	1	1	1
10	1012812	Bearing Puller Wedge Attachment .....	1	1	1
11	1013582	Brake Adjustment Tool (used only on vehicles with manually adjusted mechanical brakes) .....		1	1
12	102555501	Brake Cable Release Tool .....	1	1	1
13	102249901	Brake Pedal Adjustment Tool Kit (used for the Carryall Electric Industrial Truck only) (includes items 14 and 15).....			1
14	****	Brake Pedal Adjustment Tool .....			1
15	****	Brake Pedal Tension Tool .....			1
16	101887101	Calibration Test Module .....			1
17	101808401	Cam Installation Tool .....		1	
18	102562401	Charger Bezel Tool .....			1
19	102686101	Clutch Removal Tool (for 4x4 vehicles) .....	1	1	
		<p>Please refer to the maintenance and service manual for proper tool application.</p> <p>**** Special order item available upon request</p>			

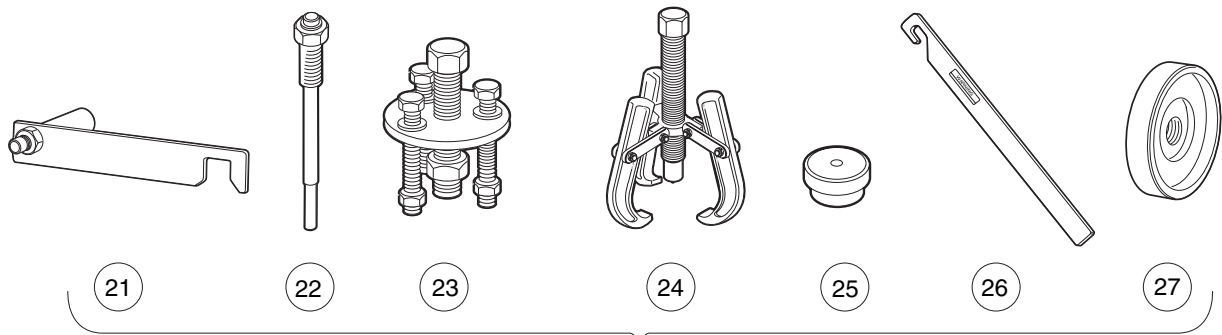
**17**

**G**

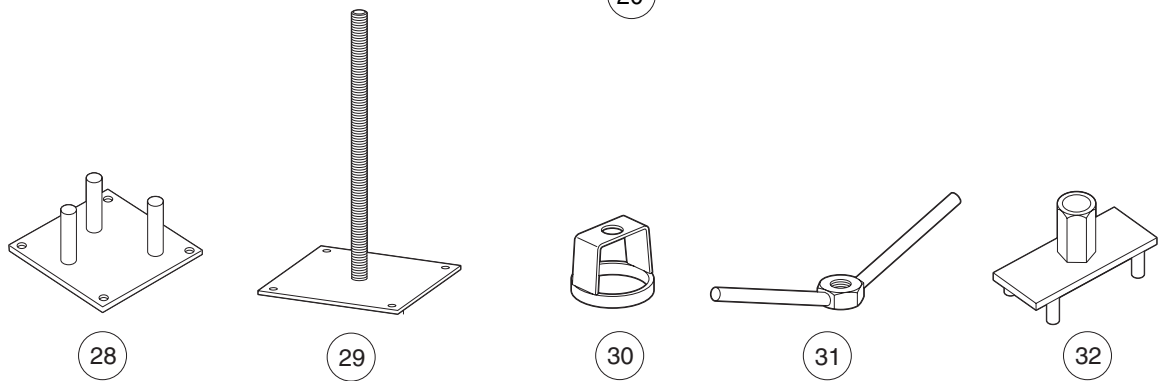
**E**

**D**

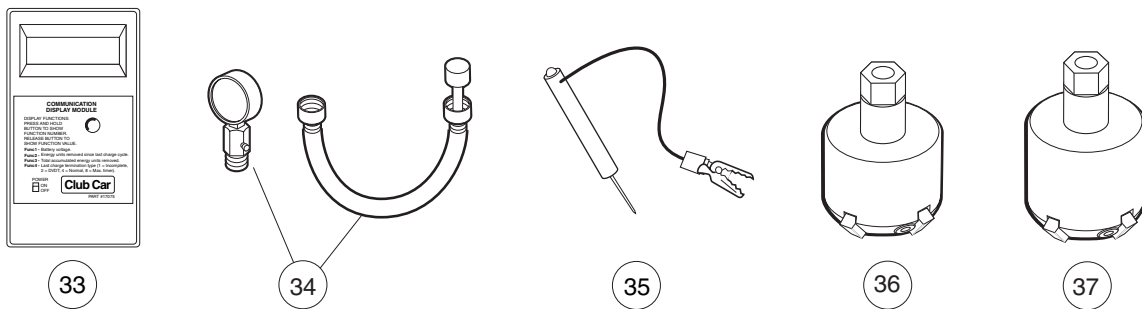
**17**  
**G**  
**E**  
**D**



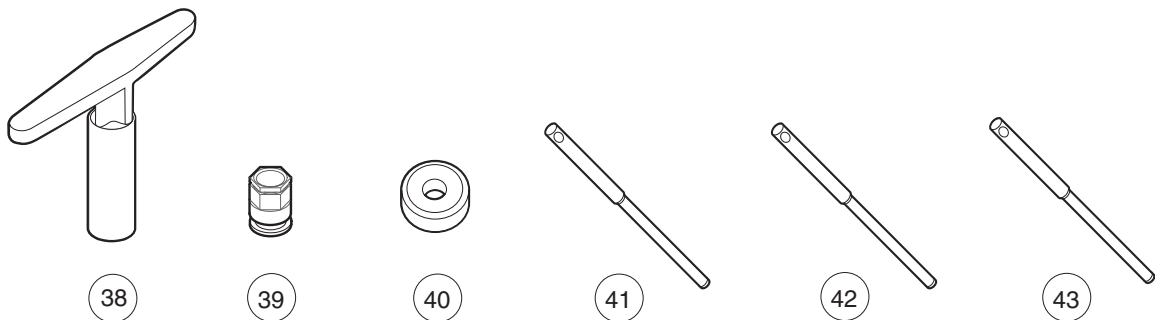
(21) (22) (23) (24) (25) (26) (27)  
20



(28) (29) (30) (31) (32)



(33) (34) (35) (36) (37)



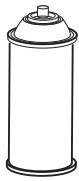
(38) (39) (40) (41) (42) (43)

## MAINTENANCE AND SERVICE TOOLS, CONTINUED

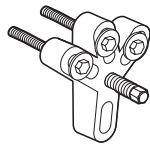
ITEM	PART NO.	DESCRIPTION	QTY DIESEL	QTY GAS	QTY ELEC
		<b>1 2 3 4</b>			
20	1014510	Clutch Tool Kit (includes items 21 - 27) .....		1	
21	1014498	Clutch Alignment Tool (for pre-unitized transaxle vehicles built prior to 1997 model year) .....		1	
22	1014496	Drive Clutch Puller (for Kawasaki engines only) .....		1	
23	1014497	Drive Clutch Hub Puller (for Kawasaki engines only) .....		1	
24	1014508	Driven Clutch Cam Puller (for Kawasaki engines only) .....		1	
25	1014507	Driven Clutch Puller Plug (for Kawasaki engines only) .....		1	
26	1015524	Drive Clutch Holder Tool Assembly (for Kawasaki engines only) .....		1	
27	101809101	Press Weldment (for Kawasaki engines only) .....		1	
28	102601501	Drive ClutchFixed Sheave Tool (for 4x4 vehicles) .....	1	1	
29	102603501	Driven Clutch Spring Compression Base (for use with items 30 and 31) (for 4x4 vehicles) .....	1	1	
30	102605201	Driven Clutch Spring Compression Collar (for use with items 29 and 31) (for 4x4 vehicles) .....	1	1	
31	102606101	Driven Clutch Spring Compression Nut (for use with items 29 and 30) (for 4x4 vehicles) .....	1	1	
32	102607501	Drive Clutch Spider Removal Tool (for 4x4 vehicles) .....	1	1	
33	101831801	Communication Display Module .....			1
34	101641002	Compression Gauge and Adapter .....		1	
35	1011273	Continuity Tester .....		1	1
36	102773801	Cutter, Valve Seat, #122 .....		1	
37	102773901	Cutter, Valve Seat #115 .....		1	
38	102774101	Wrench, T, #505.....		1	
39	102774101	Adapter, T-Wrench .....		1	
40	102675401	Cutter, Valve Seat, 60 Degree (requires item 51) (for Honda GX620 Gasoline Engines) .....		1	
41	102774201	Pilot, 6.6 MM .....		1	
42	102774301	Pilot, 6.62 MM.....		1	
43	102774401	Pilot, 6.65 MM.....		1	
		Please refer to the maintenance and service manual for proper tool application.			

**17**  
**G**  
**E**  
**D**

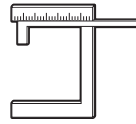
**17**  
**G**  
**E**  
**D**



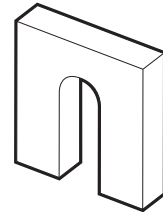
44



45



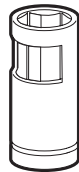
46



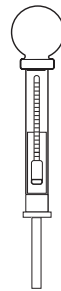
47



48



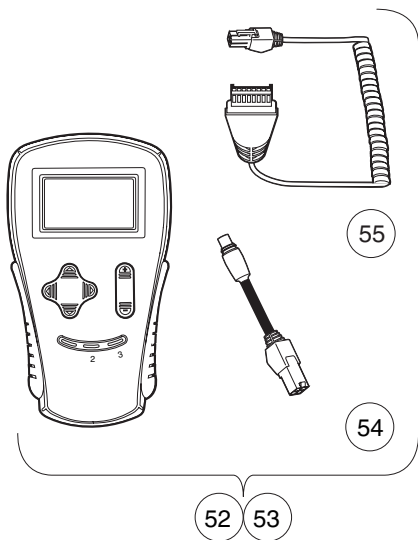
49



50



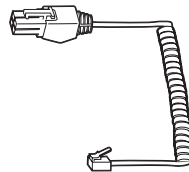
51



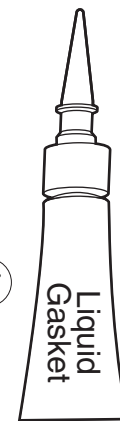
52 53

55

54



56



57



58



59 60



61

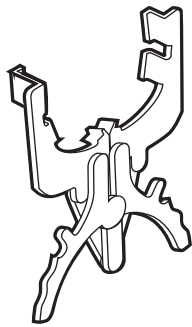
## MAINTENANCE AND SERVICE TOOLS, CONTINUED

ITEM	PART NO.	DESCRIPTION	QTY DIESEL	QTY GAS	QTY ELEC	<b>17</b>
		1 2 3 4				<b>G</b>
44	1012151	Dry Moly Lubricant .....	1	1	1	<b>E</b>
45	1016627	Flywheel Puller Kit (for Kawasaki Engines) .....		1		<b>D</b>
46	102669901	Gauge, Carburetor Float Level (for Honda GX620 Gasoline Engines) .....		1		
47	1016418	Gear Yoke .....	1	1	1	
48	101933101	Governor Shaft Installation Tool (for Kawasaki Engine Vehicles) .....		1		
49	102169401	Hydraulic Brake Adjuster (for Turf/CA 272/472, Pioneer/XRT 1200, Bobcat 2100, HUV 4213) .....			1	
50	1011478	Hydrometer .....	1	1	1	
51	1013593	Internal Retaining Ring Pliers .....	1	1	1	
52	102248803	IQ Display Module (IQDM) Kit (IQ System and IQ Plus vehicles) .....			1	
		(includes items 54 and 55)				
53	102248804	IQ Display Module (IQDM-P) Kit (IQ System and IQ Plus vehicles) .....			1	
		(includes items 54 and 55)				
54	102251501	Adaptor, Cable .....			1	
55	102241502	IQDM Series 2 Cable .....			1	
56	102241501	IQDM Series 1 Cable (replacement) .....			1	
57	101928701	Liquid Gasket (transaxle case) .....	1	1	1	
58	102243402	Moly-Teflon Lubricant (4-oz. (113-gram) tube) .....			1	
59	101997201	Paint, Touch-Up – Beige* .....		1	1	
59	101997207	Paint, Touch-Up – Black* .....		1	1	
59	101997212	Paint, Touch-Up – Burgundy* .....		1	1	
59	101997211	Paint, Touch-Up – Classic Blue (Navy)* .....		1	1	
59	101997205	Paint, Touch-Up – Dark Gray* .....	1	1	1	
59	101997209	Paint, Touch-Up – Dark Green* .....	1	1	1	
59	101997204	Paint, Touch-Up – Gray* .....	1	1	1	
59	101997203	Paint, Touch-Up – Red* .....	1	1	1	
59	101997206	Paint, Touch-Up – Royal Blue (Pacific Blue)* .....		1	1	
59	101997202	Paint, Touch-Up – White* .....	1	1	1	
60	102562301	Paint, Precedent Underbody – Gray .....		1	1	
61	102587201	Paint Pen, Touch-Up, Precedent Underbody – Black .....		1	1	
		Please refer to the maintenance and service manual for proper tool application.				
		* Item 59 is not for use on Surlyn <sup>®</sup> body material, which is used on Precedent vehicles.				

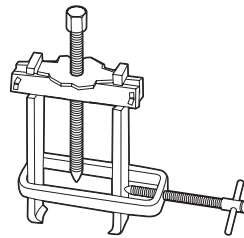
**17**  
**G**  
**E**  
**D**



62



63



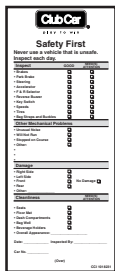
64



65



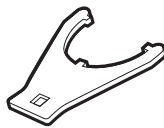
66



67



68



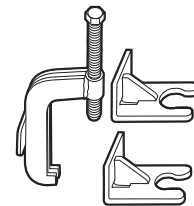
69



70



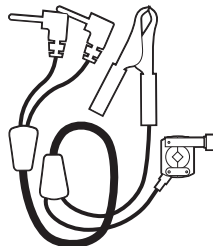
71



72



73



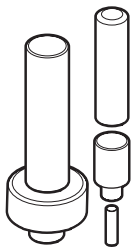
74



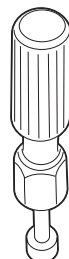
75



76



77



83



84



85



86

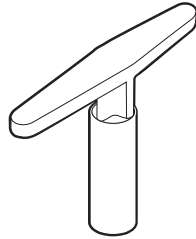
## MAINTENANCE AND SERVICE TOOLS, CONTINUED

ITEM	PART NO.	DESCRIPTION	QTY	QTY	QTY	17
			DIESEL	GAS	ELEC	
		<b>1 2 3 4</b>				G
62	1016414	Piston Ring Compressor Kit (FE290, FE350 and FE400 engines) .....		1		E
63	1016415	Piston Ring Pliers (for Kawasaki Engines) .....		1		D
64	102668801	Puller, Special Use (for Kubota D722 Diesel Engines) .....	1			
65	1012549	Retaining Ring Pliers, 45° External .....	1	1	1	
66	1012560	Retaining Ring Pliers, 90° Internal .....	1	1	1	
67	101823101	Safety First Card (50 per pack) .....	1	1	1	
68	1012809	Seal Puller .....	1	1	1	
69	102330901	Spanner Wrench (for coil over shock front suspension vehicles only) .....	1	1		
70	1014264	Steering Column Bearing Press Tool .....		1	1	
71	1014259	Steering Column Retaining Ring Tool .....		1	1	
72	102061201	Steering Wheel Puller Tool .....	1	1	1	
73	AM10753	Tachometer (includes gasoline engine pick up lead only) .....	1	1		
74	AM10771	Tachometer Diesel Probe (for use with item 73) .....	1			
75	1014162	Transaxle Axle Seal Tool .....		1		
76	1014161	Transaxle Pinion Seal Tool .....		1		
77	1014115	Transmission Tool Kit .....		1		
78	101611003	Tune-Up Kit, All OHV (for FE290, FE350, FE400 only) (includes air filter, spark plug, oil filter, fuel filters) (not shown) .....		1		
79	AM11804	Tune-Up Kit, Gx620 (for Honda Engines) (includes air filter, spark plug, oil filter, fuel filters) (not shown) .....		1		
80	AM11805	Tune-Up Kit, D722 (for Kubota Engines) (includes air filter, oil filter, fuel filters, water separator filter) (not shown) .....	1			
81	AM1220301	Tune-Up Kit, Precedent (for FE290/350 Engines) (includes air filter, spark plug, oil filter, fuel filters) (not shown) .....		1		
82	AM1232401	Tune-Up Kit, FH680D (for Kawasaki V-Twin Engines) (includes oil filter, fuel filter, air filter, and spark plugs) (not shown) .....		1		
83	1016413	Valve Clearance Adjuster Screw Holder (for FE290 engines only) .....		1		
84	102674601	Valve Guide Driver (for Honda GX620 Gasoline Engines) .....		1		
85	101641201	Valve Guide Reamer (FE290, FE350, and FE400 only) .....		1		
86	102674401	Valve Guide Reamer, 6.6 mm (for Honda GX620 Gasoline Engines) .....		1		

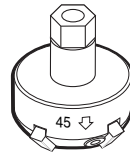
**17**  
**G**  
**E**  
**D**



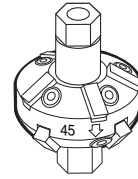
87



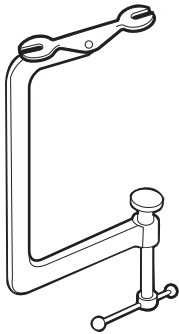
88



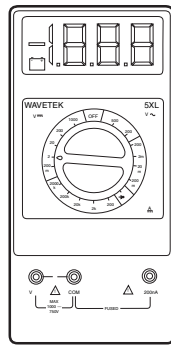
89



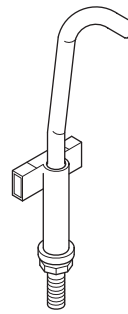
90



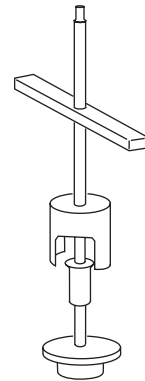
91



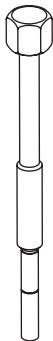
92



93



94



95



## MAINTENANCE AND SERVICE TOOLS, CONTINUED

ITEM	PART NO.	DESCRIPTION	QTY DIESEL	QTY GAS	QTY ELEC
		1 2 3 4			
87	1016552	Valve Seat Cutter Guide .....		1	
88	1016551	Valve Seat Cutter T-Wrench .....		1	
89	1016553	Valve Seat Cutter, 45° (32 mm diameter) (for FE290 engines only) .....		1	
90	1016554	Valve Seat Cutter, 45°/30° (35 mm diameter) .....		1	
91	101641101	Valve Spring Compressor .....		1	
92	1011480	Volt Ohm Meter .....	1	1	1
93	102570401	Tool, Tensioning, Starter Generator (For Precedent vehicles) .....		1	
94	103601401	Puller, Drive Clutch, XRT 950.....		1	
95	103601701	Tool, Disassembly, Driven Clutch, XRT 950.....		1	

17

G

E

D



# INDEX

## Part Number and Page

AM10753	17-9	7555	5-11, 5-15, 5-19, 5-23	1010877	4-7, 4-9
AM10771	17-9	7577	16-3, 16-5, 16-13, 16-15	1010878	1-19, 4-7, 4-9
AM10080	12-5	7591	6-15, 13-3	101090801	13-33, 13-35
AM10081	12-5	7602	5-11, 5-15, 5-19, 5-23	1010909	6-15
AM10419	11-11, 11-13	7716	4-7, 4-9, 4-21	1010921	4-7, 4-9
AM10724	7-5, 8-5	7818	6-19, 6-21, 6-23	1010927	4-7, 4-9
AM10808	1-5	7820	6-15, 13-3	1010932	4-7, 4-9
183	6-15, 6-23, 10-5, 10-7, 10-17, 11-3, 11-5, 11-7, 12-3	7840	5-27, 5-29	1010933	4-7, 4-9
304	1-35, 6-15, 12-13, 13-3	7847	1-9, 1-21, 1-33, 9-3, 13-31, 16-5, 16-7, 16-15, 16-17	1010934	1-5, 1-25, 1-29, 1-31, 6-35, 14-3
320	4-15	7893	6-15, 6-19, 6-21, 6-23, 12-13	1010954	6-19, 6-21, 6-23
332	1-11, 1-19, 1-21, 1-23, 1-25, 1-27, 1-33, 1-35, 6-15, 6-37, 9-3, 10-15, 13-3	7910	5-27, 5-29	1010984	2-3, 2-5, 2-7
334	1-21, 4-21, 5-3, 5-5, 5-11, 7-15, 7-17, 8-15, 8-17	7973	1-7, 10-17	1011014	1-3, 1-5
357	1-29, 5-17, 5-21, 5-25, 5-39, 5-41	8057	6-19, 6-23, 12-9	1011017	1-3, 1-5
403	1-17	8058	6-19, 6-23, 12-9	1011084	4-23
451	1-23, 4-5, 4-11, 9-3, 13-23, 14-3	8067	5-27, 5-29	1011114	4-5, 4-11
705	1-17, 1-29, 6-33, 7-15, 7-17, 8-15, 8-17	8104	12-9	1011137	4-11
706	1-29, 5-17, 5-21, 5-25	8233	1-19, 1-21, 1-25, 1-27, 1-33, 1-35, 4-21, 5-39, 5-41, 6-15, 6-37, 12-3, 12-13, 13-3, 13-31, 16-5, 16-7, 16-15, 16-17	1011229	6-15, 13-3
808	5-39, 5-41, 11-3, 11-5, 11-7	8248	6-37	1011273	17-5
1016	6-15, 6-23, 10-5, 10-7	8251	1-15	1011280	6-29, 13-13
1017	6-17, 6-23, 13-9	8450	6-23, 11-3, 11-5, 11-7	1011291	12-7
1028	1-23, 4-7, 4-9, 13-23	8639	12-13, 13-7, 13-29	1011303	4-5, 4-11
1032	1-23, 4-7, 4-9	8717	4-21, 6-19, 6-21, 6-23, 12-3, 12-9	1011393	5-27, 5-29
1035	1-21, 4-19, 5-11, 5-15, 5-19, 5-23	8745	5-17, 5-21, 5-25	1011394	1-3, 1-5
1218	5-13	8754	1-17, 4-15, 4-21, 5-3, 5-5, 5-11, 5-15, 5-17, 5-19, 5-21, 5-23, 5-25, 5-31, 5-33, 5-35, 5-37, 6-33	1011402	4-7, 4-9
1231	1-23	8755	1-17, 5-17, 5-21, 5-25, 5-31, 5-33, 5-37	1011415	5-31, 5-33, 5-35, 5-37
1241	1-3, 1-5, 1-29, 1-31, 4-7, 4-9, 4-17, 4-19, 4-21, 5-13, 6-19, 6-21, 6-23, 6-29, 6-33, 6-35, 9-3, 12-13, 13-13	8796	16-11, 16-21	1011418	4-7, 4-9
1242	1-29, 1-31, 4-13, 4-17, 4-19, 5-39, 5-41, 6-19, 6-21, 6-23, 6-33, 13-23	8797	10-5, 10-7	1011439	6-29, 13-13
1308	5-15, 5-19, 5-23	8861	5-15, 5-19, 5-23, 5-39, 5-41	101146302	4-5, 4-11
1606	10-17	8935	1-5	1011464	4-5, 4-11
1624	4-21, 5-11, 5-17	8963	13-33, 13-35	1011465	4-5, 4-11
1631	10-17	8990	5-11, 6-15, 6-19, 6-21, 6-23, 13-3, 13-23, 13-29, 13-31, 16-11, 16-21	1011466	4-3, 4-5, 4-11
2402	5-15, 5-19, 5-23	1010005	5-27, 5-29	1011467	4-5, 4-11
4029	6-15, 13-3	1010028	12-9	1011478	17-7
7048	5-27, 5-29	1010124	5-17, 5-21, 5-25	1011480	17-11
7049	1-25	1010138	5-15, 5-19, 5-23	1011553	1-29, 1-31, 3-5, 3-9, 3-13, 3-17, 3-21, 3-25
7173	5-39, 5-41, 6-29, 6-35, 12-13, 13-13	1010145	5-31, 5-33, 5-35, 5-37	1011557	6-29, 13-13
7174	1-29, 1-31, 5-3, 5-5, 5-39, 5-41, 6-33, 9-3, 10-13, 13-23, 14-3	1010150	5-17, 5-21, 5-25	1011578	1-5, 5-3, 5-5
7251	1-3, 1-5	1010177	5-21, 5-25	1011694	4-21
7310	2-3, 2-5, 2-7	1010200	5-17	1011697	5-3, 5-5, 7-15, 7-17, 8-15, 8-17, 10-13
7311	5-39, 5-41	1010219	5-15, 5-19, 5-23	1011700	4-21
7330	12-7, 15-3	1010347	5-27	1011734	4-23
7335	12-5, 15-3	1010348	5-27	1011767	17-3
7336	15-3	1010434	1-3, 1-5, 1-23, 10-3	1011779	4-13, 4-17, 4-19
7473	1-3, 1-5, 1-17, 1-25, 1-27, 4-7, 4-9, 4-13, 4-17, 4-19, 4-21, 5-13, 6-15, 6-19, 6-21, 6-23, 6-29, 6-35, 13-13, 13-33, 13-35	1010435	1-3, 1-5, 1-17, 1-27	1011825	6-15, 13-3
7532	1-17	1010436	1-27	101187702	4-7, 4-9
7539	5-15, 5-19, 5-23	1010543	1-11	1011887	5-27, 5-29
7540	5-11, 5-15, 5-19, 5-23	1010546	1-3	1011892	5-27, 5-29
		1010577	7-15, 7-17, 8-15, 8-17	1011930	5-11, 5-15, 5-19, 5-23
		1010805	4-7, 4-9	1011931	4-21
		1010829	4-13, 4-17, 4-19	1011990	1-23, 1-29
		1010850	4-3, 4-5, 4-11	1012030	5-17, 5-25
				1012098	16-3, 16-5, 16-13, 16-15
				1012101	16-3, 16-5, 16-13, 16-15
				1012126	13-25
				1012151	17-7

# INDEX

1012180	5-31, 5-33	1013366	1-27	1014153	4-3, 4-5, 4-11
1012181	5-35	1013422	1-9	1014161	17-9
1012182	5-35	1013461	6-17, 10-5, 13-9	1014162	17-9
1012285	1-33, 1-35, 10-7, 10-13	1013483	1-29	1014201	14-3
1012295	6-19, 6-21, 6-23	1013494	6-25, 6-27, 13-11, 13-17	1014207	12-7
1012303	1-17, 5-17, 5-21, 5-25, 5-31, 5-33, 5-35, 5-37	1013531	4-17, 4-19	1014211	5-3, 5-5
1012304	5-31	1013547	13-31	1014212	5-3, 5-5
1012328	6-35	1013582	17-3	1014213	5-3, 5-5
1012333	12-13	1013589	6-19, 6-21, 6-23	1014214	5-3, 5-5
1012431	6-19, 6-23	1013593	17-7	1014216	5-3, 5-5
1012438	10-17	1013609	6-19, 6-21, 6-23	1014217	5-3, 5-5
1012466	5-3, 5-5	1013677	3-5, 3-9	1014259	17-9
1012467	5-11	1013687	10-7	1014264	17-9
1012505	6-25, 6-27, 13-11, 13-17	1013700	10-13	1014276	5-17, 5-21, 5-25
1012528	9-3, 13-29	1013734	9-3, 13-29	1014287	11-3, 11-5, 11-7
1012549	17-9	1013746	10-7, 10-11	1014288	5-3, 5-5, 6-35, 11-3, 11-5, 11-7, 13-23, 16-11, 16-21
1012560	17-9	1013760	12-3	1014289	6-31
1012565	5-7	1013768	12-7	1014305	17-3
1012566	5-7	1013769	12-7	1014306	1-27, 1-33, 1-35, 13-31
1012571	7-15, 7-17, 8-15, 8-17, 13-33, 13-35	1013770	12-7	1014321	1-15, 1-25
1012604	5-3, 5-5	1013771	12-7	1014375	6-35
1012605	5-3, 5-5	1013772	12-7	1014387	1-15, 1-25
1012649	10-7	1013773	12-7	1014415	1-25, 1-27
1012711	12-3	1013774	12-7	1014453	11-3, 11-5, 11-7
1012714	12-5	1013787	12-7	1014454	11-11, 11-13
1012740	12-5	1013792	12-7	1014471	1-17
1012741	12-5	1013794	12-7, 15-3	1014496	17-5
1012747	12-5	1013861	5-3	1014497	17-5
1012748	12-5	1013869	4-7, 4-9	1014498	17-5
1012752	12-3	1013870	4-7, 4-9	1014507	17-5
1012809	17-9	1013871	4-21	1014508	17-5
1012811	17-3	1013876	4-7, 4-9	1014510	17-5
1012812	17-3	1013924	4-3, 4-5, 4-11, 7-15, 7-17, 8-15, 8-17	1014523	10-7
1012830	6-33, 9-3, 10-13	1014007	4-21, 12-3	1014524	10-7
1012836	11-11, 11-13	1014049	11-3, 11-5, 11-7	1014537	1-25, 1-27
1012896	12-3	1014050	11-3, 11-5, 11-7	1014540	13-31
1013001	6-31	1014051	11-3	1014555	5-31, 5-33, 5-35, 5-37
1013003	6-31	1014052	11-3, 11-5, 11-7	1014771	2-3
1013005	6-31	1014055	11-3, 11-5, 11-7	1014807	6-19, 6-23, 12-9
101301102	6-31	1014056	11-3, 11-5, 11-7	1014808	6-19, 12-9
1013035	5-11	1014057	11-3, 11-5, 11-7	1014902	5-35, 5-37
1013042	5-11	1014058	11-3, 11-5, 11-7	1014948	6-19, 6-21, 6-23
1013044	5-11	1014059	11-3, 11-5, 11-7	101503202	1-5, 1-7
1013051	5-11	1014062	11-3, 11-5, 11-7	1015072	13-33, 13-35
1013052	5-11	1014063	11-3, 11-5, 11-7, 16-11, 16-21	1015075	1-3, 1-5
1013061	12-3, 12-9, 13-19, 13-25	1014065	6-19, 6-21, 6-23, 11-3, 11-5, 11-7	101511303	4-9
1013135	5-27, 5-29	1014070	11-11, 11-13	1015137	10-7, 10-11
1013207	5-31, 5-33	1014072	11-11, 11-13	1015139	10-5
1013309	1-11	1014078	11-11, 11-13	1015143	10-5
1013311	1-11	1014080	11-11, 11-13	101524002	6-33
1013312	1-11	1014115	17-9	1015245	1-23
1013317	1-23, 3-27, 3-29, 3-31	1014116	10-7	1015252	1-17
1013343	1-7	1014119	6-19, 6-21, 6-23	1015277	1-19
1013344	1-7	1014125	5-3, 5-5	1015313	1-23
1013357	6-15, 13-3, 13-23	1014126	5-3, 5-5	1015332	7-3, 8-3

# INDEX

1015345	6-19, 6-21, 6-23	1016074	6-33	1016456	7-3, 7-5, 8-3, 8-5
1015356	1-17	1016078	1-19	1016457	7-7, 8-7
1015363	1-23	101609401	3-3, 3-7, 3-11, 3-15, 3-19, 3-23	1016458	7-9, 8-9
1015366	1-23	101611003	17-9	1016467	7-7, 8-7
1015368	1-23	1016154	5-7	1016470	7-13, 8-13
1015371	6-19, 6-21	101615504	5-9	1016472	7-11, 8-11
1015372	6-19, 6-21, 6-23	1016156	5-7, 5-9	1016473	7-7, 8-7
1015373	6-19, 6-21, 6-23	1016183	5-3, 5-5	1016474	7-9, 8-9
1015390	1-23	1016201	11-3, 11-5, 11-7	1016479	7-9, 8-9
1015391	1-17	1016214	5-7	1016480	10-11
1015392	13-23	1016219	5-7	101648102	10-11
1015399	1-17, 1-25, 1-27	1016263	5-5	101648203	7-7, 8-7
1015400	1-17, 1-23	1016269	5-3, 5-5	1016483	7-9, 8-9
1015405	1-3, 6-19, 6-21, 6-23	1016289	11-3, 11-5, 11-7	1016486	10-9
1015412	1-23	1016337	12-5	1016489	7-9, 8-9
1015424	1-23	1016338	12-5	101649002	10-11
1015426	10-15	1016346	5-15, 5-19, 5-23	1016494	7-11, 8-11
101542901	1-17	1016349	5-15, 5-19, 5-23	1016496	7-11, 8-11
1015445	1-29	1016350	5-15, 5-19, 5-23	1016497	7-5, 8-5
1015453	5-39, 5-41	1016353	5-15, 5-19, 5-23	1016499	10-9
1015457	5-39, 5-41	1016356	6-15, 13-3, 13-23	1016501	10-9
101547601	3-13, 3-17, 3-21, 3-25	1016384	5-17, 5-21, 5-25	1016502	7-7, 8-7
1015507	1-17	1016385	5-15, 5-19, 5-23	1016506	7-11, 8-11
1015524	17-5	1016386	5-17, 5-21, 5-25	1016507	7-3, 8-3
1015528	6-25, 6-27, 13-11, 13-17	1016387	5-17, 5-21, 5-25	1016510	7-11, 8-11
1015530	1-33, 1-35	1016389	5-17, 5-21, 5-25	1016513	12-3
101553901	1-23, 3-3, 3-7, 3-11, 3-15, 3-19, 3-23	101641002	17-5	101651406	2-3
1015583	1-17, 5-17, 5-21, 5-25, 5-31, 5-33, 5-35, 5-37	101641101	17-11	101651407	2-3
1015597	5-11, 5-15, 5-19, 5-23, 5-27, 5-29	101641201	17-9	101651409	2-3
1015607	1-23	101641202	17-3	101651414	2-3
1015608	1-5, 13-33, 13-35	1016413	17-9	1016517	7-9, 8-9
1015613	5-39, 5-41	1016414	17-9	1016518	7-9, 8-9
1015614	5-39, 5-41	1016415	17-9	1016519	7-9, 8-9
101562711	1-11	1016416	17-3	1016521	7-11, 8-11
101562712	1-11	1016417	17-3	1016531	7-3, 8-3
101562714	1-11	1016418	17-7	1016535	7-11, 8-11
101562715	1-11	1016423	6-19, 6-21, 6-23	1016537	7-7, 8-7
101564501	1-11	101642575	10-9	1016538	7-11, 8-11
101564502	1-11	101642578	10-9	1016539	7-3, 8-3
101564503	1-11	101642580	10-9	1016541	7-13, 8-13
101564505	1-11	101642582	10-9	1016544	7-5, 7-9, 7-11, 8-5, 8-9, 8-11
1015649	7-3, 8-3	101642585	10-9	1016546	10-13
1015720	6-15, 13-29	1016429	7-7, 8-7	1016547	7-3, 7-13, 8-3, 8-13, 10-11
1015737	6-19, 6-21, 6-23	1016432	7-7, 8-7, 12-3	1016549	7-9, 8-9
1015741	6-19, 6-21, 6-23	1016436	7-9, 8-9	1016551	17-11
1015752	6-19, 6-21, 6-23, 10-15, 13-15	1016437	10-9	1016552	17-11
1015760	5-39, 5-41	1016438	10-11	1016553	17-11
1015814	9-3	1016440	7-9, 8-9, 10-11	1016554	17-11
101584502	10-13	1016441	10-11	1016557	4-5, 4-11
1015878	6-19, 6-23, 12-9	1016444	10-11	1016560	7-9, 8-9
1015914	16-3, 16-5, 16-13, 16-15	1016445	7-5, 8-5	1016561	7-5, 8-5
1015917	16-3, 16-5, 16-15	1016449	7-9, 8-9	1016562	7-5, 7-13, 8-5, 8-13
1015932	6-33	1016450	7-9, 8-9	1016563	7-9, 8-9
1015969	7-3, 8-3	1016452	7-9, 8-9	1016564	7-11, 8-11
1016060	1-19	1016454	7-11, 8-11	1016566	7-9, 8-9
		1016455	7-5, 8-5	1016569	7-9, 8-9

# INDEX

1016570	7-7, 8-7	101693901	1-3, 1-5	1017456	7-7, 8-7
1016571	7-13, 8-13	101693902	1-3, 1-5	101745701	7-13, 8-13
1016572	10-11	101693906	1-3, 1-5	101745702	7-13, 8-13
1016573	4-5, 4-11	101693908	1-5	1017458	7-7, 8-7
1016576	7-7, 8-7	101693909	1-3, 1-5	1017460	7-7, 8-7
1016578	7-5, 8-5	101693910	1-3, 1-5	1017461	10-9
1016579	7-5, 8-5	101693911	1-3, 1-5	1017463	7-5, 8-5
1016581	7-7, 8-7	101693912	1-3, 1-5	1017466	10-11
1016582	10-11	101693913	1-3, 1-5	1017468	7-5, 8-5
1016583	7-9, 8-9	101693914	1-3, 1-5	1017471	7-13, 8-13
1016584	7-11, 8-11	1016952	1-9	1017472	7-11, 8-11
1016585	10-9	1016967	1-3, 1-5, 13-23	1017473	7-9, 8-9
1016586	7-5, 8-5	1016997	6-23	1017474	7-3, 8-3
1016587	7-5, 8-5	1017029	4-7, 4-9	1017475	7-3, 8-3
1016588	7-5, 8-5	1017062	6-17, 13-9	1017476	7-3, 8-3
101661601	13-33	1017064	6-17, 13-9	1017486	7-3, 8-3
101661602	13-33	1017065	6-17, 13-9	1017487	7-11, 8-11
1016627	17-7	1017080	1-3, 1-5	1017490	7-5, 8-5
1016630	6-25, 6-27	1017082	12-3	1017500	7-3, 8-3
1016663	5-7, 5-9	1017187	16-7, 16-17	1017501	7-13, 8-13
1016672	12-7	1017188	11-9	1017502	7-13, 8-13
1016673	16-11, 16-21	1017189	16-7, 16-17	1017503	7-13, 8-13
1016679	1-33	1017211	4-13	1017504	7-11, 8-11
101670201	3-27, 3-29, 3-31	1017226	5-3, 5-5	1017507	7-7, 8-7
1016751	1-13	1017231	12-3	1017508	7-11, 8-11
101675511	1-13	1017239	6-23	1017510	7-13, 8-13
101675512	1-13	1017243	6-23	1017511	7-11
101675514	1-13	1017266	5-15, 5-19, 5-23	1017512	7-13, 8-13
101675515	1-13	1017273	5-7, 5-9	1017513	7-11, 8-11
101677701	1-13	1017313	5-3, 5-5	1017514	7-11, 8-11
101677702	1-13	1017314	5-3, 5-5	101751801	7-11, 8-11
101677703	1-13	1017315	5-3, 5-5	101751802	7-11, 8-11
101677705	1-13	1017317	5-3	101751803	7-11, 8-11
1016801	11-3, 11-5, 11-7	101734802	1-3	1017686	11-11, 11-13
1016813	5-39, 5-41	101737002	2-3	1017689	9-3
1016814	5-39	1017378	4-21	101769302	2-3
1016849	6-25, 6-27, 13-11, 13-17	1017380	4-21	1017696	4-21
1016851	6-25, 6-27, 13-11, 13-17	101738302	11-7	1017705	13-19
1016868	1-3, 1-5	1017424	4-21	1017721	6-15
1016877	13-31	1017434	7-9, 8-9	101773301	7-13, 8-13
1016879	6-17, 13-9	1017435	7-9, 8-9	101773302	7-13, 8-13
1016880	6-17, 13-9	1017442	7-7, 8-7	101773303	7-13, 8-13
1016883	6-33	1017443	7-9, 7-11, 8-9, 8-11	101773304	7-13, 8-13
1016901	11-5, 11-7	1017444	7-9, 8-9	101773305	7-13, 8-13
1016904	7-9, 8-9, 9-3	1017445	7-9, 8-9	101773306	7-13, 8-13
101692501	1-3	1017446	7-9, 8-9	101773307	7-13, 8-13
101692502	1-3	1017447	7-11, 8-11	101773308	7-13, 8-13
101692506	1-3	1017448	7-5, 8-5	101773309	7-13, 8-13
101692509	1-3	101744901	7-13, 8-13	101773310	7-13, 8-13
101692510	1-3	101744902	7-13, 8-13	101773311	7-13, 8-13
101692511	1-3	1017450	7-13, 8-13	1017853	6-15, 13-3
101692512	1-3	101745101	7-13, 8-13	101791101	4-3, 4-5
101692513	1-3	101745102	7-13, 8-13	101796201	4-21
101692514	1-3	1017453	7-13, 8-13	101796501	13-19
101692515	1-3	1017454	7-9, 8-9	101796801	13-19
101693201	3-15, 3-23	1017455	7-5, 8-5	101801001	13-19, 16-11, 16-21

# INDEX

101804301	6-25, 6-27, 10-15, 10-17	101833906	11-5	101880001	5-11
101808401	17-3	101834001	11-11	101880101	5-11
101809101	17-5	101834003	11-13	101880201	5-11
101811901	10-15	101834502	6-25, 6-27, 13-11, 13-17	101880301	5-11
101812301	10-15	101834601	7-15, 7-17, 8-15, 8-17	101881101	7-5, 8-5
101813001	10-15	101834801	12-3	101881701	10-15
101813202	17-3	101835601	1-17, 1-19	101884801	7-15, 7-17, 8-15, 8-17
101815501	4-3	101836201	11-11	101884901	2-3
101815502	4-3	101836202	11-13	101886101	12-3
101816301	4-3	101837101	10-15	101887101	17-3
101816501	4-3	101837301	6-33	101887601	7-3, 8-3
101816502	4-3	101838401	16-13, 16-15	101889401	12-5
101817401	4-21	101838601	16-13, 16-15	101890001	12-5
101821501	10-15	101841901	16-5, 16-15	101890101	12-3
101822001	4-23	101851101	6-25, 6-27, 13-11, 13-17	101890201	12-3
101823101	17-9	101856001	13-11, 13-17	101890501	12-3
101823201	4-3	101856102	6-19, 6-21, 6-23	101890601	12-3
101823301	4-3	101859401	9-3	101890901	12-7
101823302	4-3	101861901	4-21	101891001	12-7
101823801	4-3	101862001	4-21	101891301	12-3
101823901	4-3	101865301	4-13	101891401	12-7
101824001	4-3	101869302	6-31	101891501	12-7
101824002	4-3	101870401	1-3	101891601	12-5
101824401	10-7	101870501	5-21, 5-25	101891901	12-5
101825101	3-3, 3-7, 3-11, 3-19, 6-27, 13-11, 13-17	101870601	5-23	101892001	12-5
101825102	3-15, 3-23, 6-25	101871001	17-3	101892201	12-5
101826201	13-11, 13-17	101874601	4-13	101892301	12-5
101826301	6-27	101874901	6-31	101892401	12-5
101826401	6-25	101875001	6-31	101892501	12-5
101827101	7-15, 7-17, 8-15, 8-17	101875102	6-31	101892601	12-5
101828601	13-3, 13-29	101875201	6-31	101892701	12-7
101828801	16-3	101875301	6-31	101892901	12-3
101828802	16-3	101875401	6-31	101893201	12-5
101828901	16-3, 16-13	101875501	6-31	101893801	12-3
101828902	16-3, 16-13	101875601	6-31	101893901	12-5
101828903	16-3, 16-13	101875701	6-31	101894303	1-11
101829001	16-5, 16-15	101875802	6-31	101894304	1-27
101830601	6-25, 6-27, 13-11, 13-17	101876001	6-31	101894702	1-25
101830701	6-25, 6-27, 13-11, 13-17	101876202	6-31	101894901	13-19
101831101	16-3, 16-5, 16-15	101876301	6-31	101895401	15-3
101831401	13-33, 13-35	101876402	6-31	101895501	15-3
101831801	17-5	101876501	6-31	101896501	6-31
101831901	17-3	101876901	5-29	101897001	15-3
101832001	13-19	101877001	5-29	101897201	15-3
101832202	10-13	101877601	6-31	101897401	15-3
101832302	10-13	101877701	6-31	101897601	15-3
101832601	7-15, 7-17, 8-15, 8-17	101878101	6-31	101898001	6-35
101832701	7-15, 7-17, 8-15, 8-17	101878201	4-7	101903101	5-17, 5-21, 5-25
101832901	16-21	101878302	5-11	101903601	15-3
101833101	7-15, 7-17, 8-15, 8-17	101879001	6-31	101903701	15-3
101833401	11-11, 11-13	101879401	5-11	101905901	10-9
101833601	12-3	101879501	5-11	101906901	15-3
101833701	6-31	101879601	5-11	101908101	13-25
101833902	11-3	101879701	5-11	101908401	6-37, 13-25
101833904	11-7	101879801	5-11	101909201	7-5, 8-5
		101879901	5-11	101909301	7-5, 8-5

# INDEX

101909401	7-5, 8-5	101957101	6-29, 13-13	102009202	2-5
101910501	12-7	101958102	10-17	102009301	2-5
101914401	6-15, 13-3, 16-3, 16-5, 16-13, 16-15	101958201	16-13	102009302	2-5
101915201	3-13, 3-17, 3-21, 3-25	101958301	16-13	102009401	2-5
101916001	7-13, 8-13	101958601	1-19	102009402	2-5
101916101	7-3, 8-3	101960201	3-3, 3-11, 3-15	102009501	2-5
101916201	7-5, 8-5	101960501	3-13, 3-17, 3-21, 3-25	102009502	2-5
101916301	7-5, 8-5	101960601	3-23	102009901	2-7
101916701	6-33, 11-3, 11-5, 11-7	101963301	1-15	102009902	2-7
101917601	10-15	101963401	1-15, 1-25, 1-27, 6-21, 7-15, 7-17, 8-15, 8-17, 12-13	102010001	2-7
101918401	2-3	101964001	1-15	102010002	2-7
101918402	2-3	101966801	16-11, 16-21	102022101	4-19
101920101	13-15	101968801	16-11, 16-21	102025401	4-15
101921501	10-15	101969701	6-29, 13-13	102026001	4-21
101922101	15-3	101971301	10-15	102031901	12-7
101922201	15-3	101972001	17-7	102056001	1-31
101922501	6-37	101972002	17-7	102061201	17-9
101923001	15-3	101972003	17-7	102065103	1-31
101923201	15-3	101972004	17-7	102065901	1-17, 7-15, 7-17, 8-15, 8-17
101923501	15-3	101972005	17-7	102066001	1-17
101923701	15-3	101972006	17-7	102066201	5-35, 5-37
101923901	15-3	101972007	17-7	102075801	3-7, 3-19, 3-23
101925701	10-15	101972009	17-7	102101001	13-15
101926501	5-31, 5-33, 5-37	101972011	17-7	102101101	13-15
101926801	10-17	101972012	17-7	102169401	17-7
101926901	12-3	101972101	15-3	102185401	10-17
101927101	12-3	101972201	15-3	102186301	14-3
101927201	12-3	101972801	10-15	102186401	14-3
101927301	12-3	101973101	10-9	102190702	10-17
101927501	12-5	101973301	10-9	102196901	13-11, 13-17
101927601	12-5	101973401	10-11	102199001	6-15
101927701	12-5	101973501	16-13	102221301	1-27
101927901	12-5	101976601	16-13	102221401	1-27
101928001	12-5	101980801	12-5	102221501	1-27
101928101	12-5	101980901	12-5	102221701	1-27
101928301	12-7	101981001	12-5	102221801	1-27
101928601	12-3	101984801	5-3, 5-5	102222001	1-27
101928701	12-3, 15-3, 17-7	101987901	6-17, 13-9	102222101	1-27
101929401	5-31, 5-33, 5-37	101988001	6-17, 13-9	102222201	1-27
101929501	10-7	101988002	6-17, 13-9	102224001	1-35, 3-21, 3-25
101929802	11-3, 11-5	101988101	6-17, 13-9	102231601	3-9, 3-21, 3-25
101932201	6-29, 13-13	101988201	6-17, 13-9	102235201	14-3
101933101	17-7	101990801	4-17, 4-19	102239901	1-27
101933701	10-17	101997902	13-31	102240501	13-29
101935301	4-15	102002901	13-33, 13-35	102241501	17-7
101936801	13-15	102003201	10-7	102241502	17-7
101939901	6-31	102004001	5-21	102242101	11-11, 11-13
101942301	14-3	102004101	5-5	102243402	17-7
101946201	1-15	102004201	5-33	102243403	14-3
101953102	4-19	102004301	1-5	102248803	17-7
101953106	4-13, 4-17	102004601	1-35	102249901	17-3
101953801	7-3	102004602	1-35	102251501	17-7
101953802	8-3	102004901	5-41	102264001	6-21
101954301	1-11	102006701	3-7, 3-19, 3-23	102271601	7-11
101955001	5-19, 5-23	102009201	2-5	102275401	16-3, 16-5, 16-13, 16-15
101955101	6-15, 13-3			102278001	5-3, 5-5



# INDEX

102292801	4-13, 4-17	102684602	12-9	102938901	14-3
102301401	1-21	102686101	17-3	102939001	14-3
102304801	7-9, 8-9	102704901	14-3	102939101	14-3
102323101	4-7, 4-9, 4-13, 4-17, 4-19	102711201	6-19, 6-21	102939102	14-3
102323201	4-7, 4-9, 4-13, 4-17, 4-19	102751601	10-5	102939501	16-13
102330901	17-9	102753401	7-9, 8-9	102940801	16-5, 16-13, 16-15
102336001	10-13	102764001	13-33, 13-35	102951701	14-3
102336101	10-13	102764401	13-35	102966401	1-15
102345901	3-25	102764402	13-35	102966501	1-15
102355301	6-35	102766201	13-33, 13-35	102966502	1-15
102356601	15-3	102770701	16-7, 16-17	102967601	3-5, 3-9, 13-23, 16-11, 16-21
102356801	15-3	102771701	15-3	102969401	12-9
102357001	15-3	102772401	13-23	102969801	12-9
102376001	12-9, 12-13	102774501	13-29	102969901	12-9
102399001	5-37	102774602	13-29	102977001	6-25, 6-27
102418101	1-21	102774701	13-29	102977002	13-11, 13-17
102430901	7-13, 8-13	102775101	14-3	102977901	10-7
102431001	8-11	102803401	6-23	102978001	10-7
102453001	12-5	102817101	13-29	102980801	13-33, 13-35
102453101	12-5	102817201	13-29	102980901	13-33, 13-35
102459301	3-5, 3-9, 3-13, 3-15, 3-19, 3-23	102837001	16-5	102989501	1-15, 1-17
102508701	13-11, 13-17	102838101	13-25, 16-3, 16-5	103173301	12-9
102513701	10-5	102844001	16-7	103174401	10-3
102515401	12-3	102844002	16-17	103177401	12-9
102518001	3-3, 3-7	102845101	3-5, 3-9, 13-25	103180101	6-25, 6-27, 13-11, 13-17
102518301	3-5, 3-9, 13-23	102845201	13-33	103187601	10-5
102519201	3-11, 3-19	102845203	13-33, 13-35	103189101	16-21
102522001	10-5	102845204	13-35	103192701	12-9
102526201	12-3, 12-9	102845401	13-7, 13-29	103197101	6-5, 6-19
102540301	7-15, 7-17, 8-15, 8-17	102847801	16-3	103198001	6-9, 6-23
102555501	17-3	102847802	16-3	103198101	6-13, 6-21
102562401	17-3	102847803	16-3	103198301	13-17
102570401	17-11	102848701	13-19	103198401	6-37
102572401	13-11, 13-17	102852101	4-17	103199001	6-25, 6-27
102601501	17-5	102859501	13-29	103199101	6-25, 6-27
102603501	17-5	102863801	13-29	103205401	3-3, 3-7, 3-11, 3-15, 3-19, 6-25, 6-27
102605201	17-5	102865101	10-7	103205501	3-13, 3-17, 3-21, 3-25, 6-37
102606101	17-5	102869401	6-15, 13-3	103210201	3-13, 3-17, 3-21, 3-25, 6-25, 6-27
102607501	17-5	102871801	5-31, 5-33, 5-35, 5-37	103210301	3-5, 3-9, 13-11, 13-17
102614401	1-27	102873401	13-33, 13-35	103218601	13-11, 13-17
102616701	12-9	102881401	16-11, 16-21	103221901	13-7, 13-23, 13-29
102668801	17-9	102886301	15-3	103234301	3-27, 3-29, 3-31
102669901	17-7	102886401	15-3	103245201	1-15
102673201	1-27	102886501	15-3	103245301	1-15
102674001	17-5	102886601	15-3	103255601	6-15
102674101	17-5	102891101	5-35, 5-37	103255701	13-3
102674201	17-5	102892901	16-13	103260101	3-27
102674401	17-9	102892902	16-13	103260801	3-27
102674601	17-9	102893001	16-15	103260901	3-27
102675001	17-5	102915701	13-25	103295101	12-13
102675101	17-5	102917101	5-35	103295202	12-13
102675201	17-5	102931101	13-29	103306301	10-7
102675301	17-5	102938401	14-3	103324801	5-37
102675401	17-5	102938601	14-3	103345701	11-3, 11-5, 11-7
102683701	3-31	102938701	14-3	103348201	6-25, 6-27
102683801	3-31	102938801	14-3	103348202	13-11

# INDEX

103348501 6-25, 6-27  
103348601 6-25, 6-27  
103350901 5-31  
103351001 5-15, 5-19  
103351101 5-33, 5-35, 5-37  
103353501 16-11, 16-21  
103354401 13-11  
103369501 12-9  
103388601 1-23  
103388602 1-23  
103390801 6-25, 6-27  
103391001 6-25, 6-27  
103406501 1-23  
103406502 1-23  
103406601 1-23  
103452901 14-3  
103499301 13-11, 13-17  
96704416 7-15, 7-17, 8-15, 8-17

## A

absorber, shock 5-23  
AC cord 16-3, 16-5, 16-13, 16-15  
AC cord receptacle 16-13  
accelerator bracket and bearing assembly 4-21  
accelerator cable 10-13  
accelerator pedal 4-21  
accelerator pedal adjustment tool 17-3  
accelerator pivot rod 4-21  
accelerator return spring 4-21  
accelerator rod 4-23  
adapter  
    cable (IQDM) 17-7  
adhesive, guide ring 17-3  
adjuster  
    hydraulic brake 17-7  
adjuster, lash 7-11, 8-11  
air box 10-15  
air box top 10-15  
air duct 10-17  
air duct shield 10-17  
air filter 10-15  
air intake hose 10-15  
ammeter 16-3, 16-5, 16-13, 16-15  
anchor body 4-5, 4-11  
anchor body kit 4-5, 4-11  
anchor, piston 4-5, 4-11  
anti-sway bar 5-39, 5-41  
A-plate strap 5-15, 5-19, 5-23  
A-plate, delta 5-15, 5-19, 5-23  
arbor 17-3  
arm  
    governor 12-3  
    pivot 12-3  
    rocker 7-9, 8-9  
armature 6-31, 14-3

armature conversion kit 6-31  
assembly  
    accelerator bracket and bearing 4-21  
    accelerator pivot rod 4-21  
    air box 10-15  
    air box top 10-15  
    air duct 10-17  
    armature 6-31  
    axle 12-7  
    bearing, steering shaft 5-3, 5-5  
    bell crank and shaft 6-19, 6-21, 6-23  
    brake lever 4-3  
    brush connector 6-31  
    brush holder 6-31  
    carburetor 10-9  
    choke cable 10-17  
    connecting rod 7-13, 8-13  
    cylinder head 7-9, 8-9  
    delta A-plate 5-15, 5-19, 5-23  
    delta shock and gear support 5-15, 5-19, 5-23  
    drive clutch 11-7  
    drive hub 11-3, 11-5, 11-7  
    driven clutch 11-11  
    driven clutch fixed-face 11-11, 11-13  
    field coil 6-31  
    float 10-9  
    fuel tank vent 10-5  
    governor 12-5  
    headlight 6-17, 13-9  
    headlight harness 6-17, 13-9  
    hinge, tilt bed 1-17  
    idle screw 10-9  
    inner ball joint 5-11  
    kingpin 5-17, 5-21, 5-25  
    latch weld 1-17  
    moveable-face 11-3, 11-5, 11-7, 11-11, 11-13  
    pilot air screw 10-9  
    plug cap 7-5, 8-5  
    ratchet 4-7, 4-9  
    score card plate 5-7  
    secondary clutch weight 11-3, 11-5, 11-7  
    steering shaft 5-3, 5-5  
    steering wheel 5-7, 5-9  
    tailgate 1-27  
    tether 1-27  
    tilt bed 1-17  
    turn signal lens 6-17, 13-9  
axle 12-7, 15-3  
axle shaft oil seal 12-7, 15-3  
axle tube 15-3

## B

backing plate, brake 4-3, 4-5, 4-11  
bag, desiccant 11-3, 11-5, 11-7

ball bearing 7-11, 8-11  
ball joint 4-7, 4-9, 4-23, 5-11, 5-15, 5-19, 5-23, 12-13  
ball joint, left-hand thread 5-11, 5-15, 5-19, 5-23  
ball stud 6-19, 6-21, 6-23  
ball, shifter 12-5  
ball, steel pressure relief 7-7, 8-7  
band, RPM limiter mount 7-5, 8-5  
bar, drive 13-15  
bar, stabilizer 5-39, 5-41  
barb, vent 10-7  
barrel, plastic 1-3, 1-5, 1-23, 10-3  
battery cap, 6-volt 13-33, 13-35  
battery charger 16-3, 16-13, 16-17  
battery charger case 16-3, 16-5, 16-13, 16-15  
battery charger harness 16-11, 16-21  
battery charger mounting plate 16-7  
battery charger receptacle 13-19  
battery charger retainer 16-21  
battery charger shield 16-11, 16-21  
battery charger transformer 16-3, 16-5, 16-13, 16-15  
battery charger wire assembly 16-13  
battery charger, onboard 16-5, 16-15  
battery clamp 6-35  
battery condition indicator 13-11  
battery discharge machine 17-3  
battery hold-down 13-33, 13-35  
battery hold-down rod 13-33, 13-35  
battery light 13-11, 13-17  
battery terminal protector spray 17-3  
battery thermometer 17-3  
battery, 12-volt 6-35  
battery, 6-volt, Trojan T105 13-33  
battery, 6-volt, Trojan T105, moist 13-33  
battery, 6-volt, Trojan T145 13-35  
battery, 6-volt, Trojan T145, moist 13-35  
bearing 15-3  
    ball 7-11, 8-11  
    ball (motor) 14-3  
    ball (steering pinion) 5-11  
    front wheel hub 5-27, 5-29  
    hub 5-27, 5-29  
    idler 11-3, 11-5, 11-7  
    inner axle tube 12-7, 15-3  
    lower pinion (steering) 5-11  
    needle 12-5  
    outer axle tube 12-7  
    pivot support 4-21  
    steering shaft 5-3, 5-5  
    thrust 5-17, 5-21, 5-25  
bearing and oil seal remover 17-3  
bearing driver set 17-3  
bearing puller 17-3  
bearing puller wedge 17-3

# INDEX

- bearing seal 5-3, 5-5
  - bearing seat 5-3, 5-5
  - bed floor plate 1-17
  - bed latch 1-23
  - bed latch spring 1-23
  - bed seal 1-15, 1-17
  - bed, tilt 1-17
  - bell crank and shaft 6-19, 6-21, 6-23
  - bellows 5-11
  - belt, drive 11-9
  - belt, starter/generator 6-33, 11-3, 11-5, 11-7
  - bezel, choke cable 10-17
  - bezel, headlight 6-17, 13-9
  - block, brake-mounting 4-7, 4-9
  - block, fuse 6-19, 6-21, 6-23
  - block, terminal 6-15, 13-3, 13-23
  - body, anchor 4-5, 4-11
  - bolt, U- 5-35, 5-37
  - boot, steering column 5-3, 5-5
  - boot, switch 6-37, 13-25
  - bottom, air box 10-15
  - box
    - air 10-15
    - cargo 1-23, 1-27
    - electrical component 6-19, 6-21, 6-23
    - steering gear 5-11
  - box, electrical component 6-19, 6-21, 6-23, 13-29
  - brace, trailer hitch 1-29
  - bracket 5-31, 5-33, 5-37
    - accelerator cable 10-13
    - adjustable starter/generator 6-33
    - brake cable guide 5-19, 5-23
    - brake light switch 6-29, 13-13
    - FNR shifter 12-9
    - governor cable 10-13
    - headlight mounting 6-17, 13-9
    - horn 6-15, 13-3
    - hour meter 13-31
    - muffler mounting 9-3
    - oil filter mount 7-7, 8-7
    - oil level switch 7-11, 8-11
    - relay mounting 6-23, 16-5, 16-15
    - RPM limiter 7-5, 8-5
    - shock absorber 5-35
    - shock mounting 5-35
    - snubber 7-15, 7-17, 8-15, 8-17
    - stabilizer bar mounting 5-39, 5-41
    - starter/generator mounting 6-33
    - steering column 5-3, 5-5
    - steering column mounting 5-3, 5-5
    - throttle spring return 10-11
    - Tow/Run switch 6-37
  - brake actuator kit 4-5, 4-11
  - brake adjusting mechanism 4-3
  - brake adjustment tool 17-3
  - brake backing plate 4-3, 4-5, 4-11
  - brake cable 4-13, 4-17, 4-19
  - brake cable equalizer 4-13, 4-17, 4-19
  - brake cable hanger 5-31, 5-33
  - brake cable release tool 17-3
  - brake cluster 4-3, 4-5, 4-11
  - brake drum 4-3, 4-5, 4-11
  - brake lever 4-3
  - brake lever arm 4-5, 4-11
  - brake light switch bracket 6-29, 13-13
  - brake mounting block 4-7, 4-9
  - brake pedal 4-7
    - pedal, brake 4-9
  - brake pedal adjustment tool 17-3
  - brake pedal pad 4-7, 4-9
  - brake pedal tension tool 17-3
  - brake return spring 4-17, 4-19
  - brake self-adjusting mechanism 4-3
  - brake shoe 4-3, 4-5, 4-11
  - brake spring 4-3, 4-5, 4-11
  - breaker, circuit 16-13, 16-15
  - breather 12-3, 15-3
  - brush and screw set 6-31
  - brush box assembly 14-3
  - brush connector 6-31
  - brush guard 1-5
  - brush holder 6-31
  - brush inspection port cover 6-31
  - brush kit, motor 14-3
  - brush port cover 6-31
  - brush rigging 14-3
  - brush spring 14-3
  - brush spring set 6-31
  - brush, motor 14-3
  - bulb, headlight 6-17, 13-9
  - bumper
    - drive unit (motor) 14-3
    - front 1-3, 1-5
    - front, heavy duty 1-3
    - front, kit 1-3, 1-5
    - rubber 1-19, 1-27, 4-7, 4-9
    - seal, long 1-11
    - spring return 4-21
  - bumper, heavy duty 1-3
  - bumper, seat 1-11
  - bushing 11-3, 11-5, 11-7, 12-9
    - bronze 5-27, 5-29
    - nylon 1-23, 1-25, 4-7, 4-9
    - snap-in 1-23
    - spindle 5-27, 5-29
    - stabilizer bar 5-39, 5-41
    - steel 1-17, 5-17, 5-21, 5-25, 5-31, 5-33, 5-35, 5-37
    - urethane 1-17, 5-15, 5-17, 5-19, 5-21, 5-23, 5-25, 5-31, 5-33, 5-35, 5-37
  - bushing support 5-39, 5-41
  - button, drive 11-11, 11-13
  - buzzer, reverse 6-25, 6-27, 13-11, 13-17
- ## C
- cable
    - accelerator 10-13
    - brake 4-13, 4-17, 4-19
    - choke 10-17
    - FNR shifter 12-13
    - governor 10-13
    - IQDM 17-7
  - calibration test module 17-3
  - cam
    - driven clutch 11-11, 11-13
    - electrical component box 6-19, 6-21, 6-23
  - cam installation tool 17-3
  - cam, FNR shifter 12-9
  - camshaft 7-11, 8-11
  - camshaft shim 7-11, 8-11
  - camshaft spring 7-11
  - cap
    - battery, 6-volt 13-33, 13-35
    - corner 1-15, 1-25
    - dust 13-11, 13-17
    - fuel tank 10-5
    - key switch 6-25, 6-27, 13-11, 13-17
    - plug 7-5, 8-5
    - seat back 1-13
  - cap, front corner 1-27
  - carburetor 10-9
  - carburetor float level tool 17-7
  - carburetor gasket 10-11
  - carburetor insulator 10-11
  - carburetor mounting gasket 10-11
  - card, safety first 17-9
  - cargo bed, side panel 1-23
  - cargo box 1-23, 1-27
  - case
    - battery charger 16-3, 16-5, 16-13, 16-15
    - differential gear 12-7
    - gear 12-3, 15-3
    - rocker 7-9, 8-9
  - charger bezel tool 17-3
  - charger receptacle 13-19
  - charger, battery 16-3, 16-13, 16-17
  - charger, battery, onboard 16-5, 16-15
  - charger, battery, shield 16-11, 16-21
  - choke cable 10-17
  - choke cable bezel 10-17
  - choke valve 10-15
  - circuit breaker 13-25, 16-3, 16-5, 16-13, 16-15
  - clamp
    - battery 6-35
    - cable retaining 10-13
    - hose 10-7, 10-11, 10-15
    - muffler hose 9-3

# INDEX

- clevis, upper delta 5-17, 5-21, 5-25
  - clip
    - hair pin 1-27
  - clip, meter 6-25, 6-27
  - clip, score card 5-7
  - cluster idler gear 12-5
  - cluster, brake 4-3, 4-5, 4-11
  - clutch alignment tool 17-5
  - clutch pulley 11-3, 11-5
  - clutch removal tool 17-3
  - clutch repair kit 11-11, 11-13
  - clutch tool kit 17-5
  - clutch weight 11-3, 11-5, 11-7
  - clutch, drive 11-3, 11-5
  - clutch, driven 11-11, 11-13
  - coil, field 6-31
  - coil, ignition 7-5, 8-5
  - collet 7-9, 8-9
  - column, steering 5-3, 5-5
  - communication display module 17-5
  - component box, electrical 6-19, 6-21, 6-23
  - component mounting plate 13-29
  - compression gauge 17-5
  - compression mount 5-39, 5-41
  - compressor, piston ring 17-9
  - compressor, valve spring 17-11
  - computer, onboard 13-29
  - connecting rod 7-13, 8-13
  - connector, a- 6-31
  - continuity tester 17-5
  - control board 16-5, 16-15
  - controller, speed 13-29
  - cord connector 7-11, 8-11
  - cord reel 16-7, 16-11, 16-17, 16-21
  - cord, AC 16-3, 16-5, 16-13, 16-15
  - cord, DC 16-3, 16-5, 16-13, 16-15
  - corner cap 1-27
  - counterbalance guide shaft 7-13, 8-13
  - counterbalance weight 7-13, 8-13
  - cover
    - brush inspection port 6-31
    - brush port 6-31
    - crankcase 7-11, 8-11
    - dust 4-3, 4-5, 4-11, 5-3, 5-5, 5-27, 5-29
    - electrical box 6-19, 6-21, 6-23
    - electrical component 13-23
    - oil pump 7-7, 8-7
    - rocker switch hole 6-25, 6-27, 13-11, 13-17
    - screw head 6-25, 6-27, 13-11, 13-17
    - steering column 5-3
    - steering column tube 5-5
  - cowl 1-3, 1-5
  - crankcase 7-13, 8-13
  - crankcase cover 7-11, 8-11
  - crankcase vent tube 10-11
  - crankshaft 7-13, 8-13
  - crankshaft rod 7-13, 8-13
  - crankshaft shim 7-13, 8-13
  - C-type stop ring 5-11
  - cup holder 1-9
  - cup, spring 4-21
  - current limiter 16-13
  - cushion, shock absorber 5-31, 5-33, 5-35, 5-37
  - cutter, valve seat 17-5, 17-11
- ## D
- damper, RPM limiter 7-5, 8-5
  - dash 6-25, 6-27, 13-11, 13-17
  - dash component 1-7
  - dash panel 6-25, 6-27, 13-11, 13-17
  - DC cord 16-3, 16-5, 16-13, 16-15
  - decal
    - 4-gauge wire warning 3-5, 3-9, 13-23, 16-11, 16-21
    - battery danger 3-5, 3-9
    - bed load warning 1-23, 3-3, 3-7, 3-11, 3-15, 3-19, 3-23
    - Carryall 3-27, 3-29
    - Carryall 2 3-27
    - Carryall 2 Plus 3-27
    - Carryall 252 3-29
    - Club Car tailgate 1-27
    - crush area warning 3-3, 3-5, 3-7, 3-9, 3-11, 3-13, 3-15, 3-19, 3-23
    - dash warning 3-23
    - diode safety 3-25
    - driver/passenger 3-13, 3-17, 3-21, 3-25
    - electrical cover safety 3-5, 3-9, 13-23
    - FNR 3-5, 3-9, 3-13, 3-17, 3-21, 3-25, 6-25, 6-27, 13-11, 13-17
    - frame ground 3-13, 3-17, 3-21, 3-25
    - IR 3-27, 3-29, 3-31
    - key switch 3-15, 3-23, 6-25
    - on/off 3-3, 3-7, 3-11, 3-19, 6-27, 13-11, 13-17
    - operating instructions 3-15, 3-23
    - operating instructions (electric) 3-3, 3-7
    - operating instructions (gas) 3-11, 3-19
    - rollover warning 3-3, 3-7, 3-11, 3-15, 3-19, 6-25, 6-27
    - rotating parts 1-35, 3-13, 3-17, 3-21, 3-25
    - run/service switch 3-13, 3-17, 3-21, 3-25, 6-37
    - tailgate 1-23, 3-27, 3-29, 3-31
    - Tow/Run switch 3-5, 3-9, 13-25
    - trailer hitch 1-29, 1-31, 3-5, 3-9, 3-13, 3-17, 3-21, 3-25
    - Turf 2 3-27
    - Turf 252 3-29
    - vehicle loading 3-3, 3-7, 3-11, 3-15, 3-19, 3-23
    - winch cable warning 3-9, 3-21, 3-25
    - XRT 900 3-31
    - young driver warning 3-7, 3-19, 3-23
  - delta A-plate 5-15, 5-19, 5-23
  - delta A-plate sub-assembly 5-15, 5-19, 5-23
  - delta shock and gear support 5-15, 5-19, 5-23
  - desiccant bag 11-3, 11-5, 11-7
  - DF-terminal insulator 6-31
  - diagnostic port 13-11, 13-17
  - diesel tachometer probe 17-9
  - differential
    - drive unit 15-3
  - differential gear 12-7, 15-3
  - differential gear case 12-7
  - differential housing 15-3
  - differential idler gear 12-7
  - differential pin 12-7
  - diode 6-19, 6-21, 6-23
  - dipstick 7-3, 8-3
  - drain plug 7-7, 8-7
  - drain plug gasket 7-7, 8-7, 12-3
  - drive bar 13-15
  - drive belt 11-9
  - drive button 11-11, 11-13
  - drive clutch 11-3, 11-5
  - drive clutch assembly 11-7
  - drive clutch button 11-3, 11-5, 11-7
  - drive clutch fixed sheave tool 17-5
  - drive clutch fixed-face 11-3, 11-5, 11-7
  - drive clutch holder tool 17-5
  - drive clutch hub puller 17-5
  - drive clutch puller 17-5
  - drive clutch pulley 11-7
  - drive clutch spider removal tool 17-5
  - drive clutch spring 11-3, 11-5, 11-7
  - drive clutch weight 11-3, 11-5, 11-7
  - drive hub 11-3, 11-5, 11-7
  - drive unit bumper 14-3
  - driven clutch 11-11, 11-13
  - driven clutch button 11-11, 11-13
  - driven clutch cam 11-11, 11-13
  - driven clutch cam puller 17-5
  - driven clutch fixed-face assembly 11-11, 11-13
  - driven clutch puller plug 17-5
  - driven clutch spring compression base tool 17-5
  - driven clutch spring compression collar tool 17-5
  - driven clutch spring compression nut tool 17-5
  - driver, drive clutch 11-3, 11-5, 11-7
  - drum, brake 4-3, 4-5, 4-11
  - dry moly lubricant 17-7
  - dust cap 13-11, 13-17
  - dust cover 4-3, 4-5, 4-11, 5-3, 5-5, 5-27, 5-29
- ## E
- eccentric adjustment screw 5-17, 5-21, 5-25

# INDEX

E-clip 4-13, 4-17, 4-19  
electrical box cover 6-19, 6-21, 6-23  
electrical component box 6-19, 6-21, 6-23, 13-29  
electrical component cover 13-23  
end bell, commutator 6-31  
end bell, output shaft 6-31  
end cap, motor 14-3  
engine 7-3  
engine mounting plate 7-15, 7-17, 8-15, 8-17  
engine shroud 7-3, 8-3  
engine, FE350 CW without ACR 8-3  
equalizer pivot 4-13  
equalizer rod 4-13, 4-17, 4-19  
equalizer, brake cable 4-13, 4-17, 4-19  
exhaust system 9-3  
exhaust valve 7-9, 8-9  
extension, I-beam 5-13  
extension, spring latch 1-17  
extrusion, fender 1-3

## F

face, moveable 11-3, 11-5, 11-7, 11-11, 11-13  
fan housing 7-3, 8-3  
fan shroud 7-3, 8-3  
fan, flywheel 7-5, 8-5  
fender 1-35  
fender extrusion 1-3  
fender, rear 1-33, 1-35  
field coil 6-31  
field coil housing 6-31  
fill plug 12-3  
filter  
    air 10-15  
    fuel 10-7  
    oil 7-7, 8-7  
    oil pump 7-7, 8-7  
fitting, thread-forming grease 5-11, 5-15, 5-19, 5-23, 5-27, 5-29  
fixed-face, drive clutch 11-3, 11-5, 11-7  
fixed-face, driven clutch 11-11, 11-13  
float 10-9  
floor mat 1-5, 1-7  
floor plate, bed 1-17  
flywheel 7-5, 8-5  
flywheel fan 7-5, 8-5  
flywheel fan plate 7-5, 8-5  
flywheel puller 17-7  
FNR closeout brush 6-25, 6-27  
FNR shift lever 12-3  
FNR shifter 12-9  
FNR shifter bracket 12-9  
FNR shifter cable 12-13  
FNR shifter cam 12-9  
fork, shift 12-5  
frame and field, motor 14-3

frame, tilt bed 1-17  
front bumper 1-3, 1-5  
front bumper kit 1-3, 1-5  
front spring retainer plate 5-17, 5-21, 5-25  
F-terminal hardware 6-31  
f-terminal insulator 6-31  
fuel filter 10-7  
fuel gauge sending unit 10-5  
fuel line 10-7, 10-11  
fuel meter 6-25, 6-27  
fuel pickup tube 10-5  
fuel pump mount 10-7  
fuel pump, impulse 10-7  
fuel tank 10-5  
fuel tank cap 10-5  
fuel tank strap 10-7  
fuel tank vent 10-5  
fuse 13-19, 16-3, 16-5, 16-13, 16-15  
    10-amp 6-19, 6-21, 6-23  
    20-amp 6-19, 6-21, 6-23  
    3/8-amp 13-19  
fuse and receptacle 13-19  
fuse block 6-19, 6-21, 6-23

## G

gasket 15-3  
    carburetor 10-11  
    carburetor mounting 10-9, 10-11  
    crankcase cover 7-9, 7-11, 8-9, 8-11  
    drain plug 7-7, 8-7, 12-3  
    exhaust 7-9, 8-9, 9-3  
    head 7-9, 8-9  
    insulator 7-9, 8-9, 10-11  
    liquid 12-3, 15-3, 17-7  
    rocker case 7-9, 8-9  
    sending unit 10-5  
gasket kit, FE350 7-9, 8-9  
gauge, battery condition 13-11  
gauge, compression 17-5  
gauge, fuel-hour 6-25, 6-27  
gear  
    case 12-3, 15-3  
    cluster idler 12-5  
    differential 12-7, 15-3  
    differential idler 12-7, 15-3  
    differential output 15-3  
    helical 7-13, 8-13, 12-5, 12-7  
    spur 7-13, 8-13, 12-5  
    synchro 12-5  
gear yoke 17-7  
governor 12-5  
governor arm 12-3  
governor cable 10-13  
governor cable bracket 10-13  
governor shaft installation tool 17-7  
grip, pencil 5-7

grip, tilt latch hand 1-17, 1-23  
grommet 10-5  
guard, brush 1-5  
guard, splash 10-3  
guide  
    intake valve 7-9, 8-9  
    valve 7-9, 8-9  
    valve seat cutter 17-11  
guide ring adhesive 17-3

## H

hair pin clip 1-27  
hanger, brake cable 5-31, 5-33  
hardware, F-terminal 6-31  
harness, battery charger 16-11, 16-21  
harness, headlight 6-15, 13-3  
harness, wire 6-5, 6-9, 6-13, 6-19, 6-21, 6-23, 13-7, 13-23, 13-29  
head gasket 7-9, 8-9  
head, cylinder 7-9, 8-9  
headband, sealed, motor 14-3  
headband, vented, motor 14-3  
headlight assembly 6-17, 13-9  
headlight bulb 6-17, 13-9  
headlight harness 6-17, 13-9  
headlight retainer 6-17, 13-9  
headlight wire harness 6-15, 13-3  
heat shrink tube 16-7, 16-17  
heatsink and rectifier 16-3, 16-5, 16-13, 16-15  
heavy duty bumper 1-3  
helical gear 7-13, 8-13, 12-5, 12-7  
hill brake rod 4-7, 4-9  
hill brake weld assembly 4-7, 4-9  
hinge, tilt bed 1-17  
hitch, trailer 1-29  
hold-down rod, battery 13-33, 13-35  
hold-down, battery 13-33, 13-35  
holder, cup 1-9  
hole plug 13-17  
horn 6-15, 13-3  
horn bracket 6-15, 13-3  
horn button and wire assembly 6-29, 13-13  
hose, air intake 10-15  
hose, fuel 10-7  
hour meter 6-25, 6-27, 13-31  
housing  
    2-pin 13-15  
    3-pin 13-15, 14-3  
    differential 15-3  
    fan 7-3, 8-3  
    field coil 6-31  
hub 5-27, 5-29  
hub bearing 5-27, 5-29  
hub, synchronizer clutch 12-5  
hydraulic brake adjuster 17-7  
hydrometer 17-7

# INDEX

- I**
- I-beam extension 5-13
  - idle screw assembly 10-9
  - idler bearing 11-3, 11-5, 11-7
  - idler gear, differential 15-3
  - ignition coil 7-5, 8-5
  - indicator, battery condition 13-11
  - inner frame snubber 7-15, 7-17, 8-15, 8-17
  - input shaft 15-3
  - insert, synchronizer 12-5
  - instrument panel 6-25, 6-27, 13-11, 13-17
  - insulating washer 14-3
  - insulator gasket 7-9, 8-9, 10-11
  - insulator, carburetor 10-11
  - insulator, motor terminal 14-3
  - intake pipe 10-11
  - intake valve 7-9, 8-9
  - intermediate shaft 15-3
  - intermediate steering shaft 5-3
  - internal retaining ring pliers 17-7
  - IQ display module (IQDM) 17-7
- J**
- jet, main 10-9
  - jet, pilot 10-9
  - joint
    - ball 4-7, 4-9, 4-23, 5-15, 5-19, 5-23, 12-13
    - left-hand thread ball 5-11, 5-15, 5-19, 5-23
    - steering 5-5
- K**
- key
    - crankshaft 7-5, 7-13, 8-5, 8-13
    - driven clutch 11-11, 11-13
    - On/Off 6-25, 6-27, 13-11, 13-17
    - square 11-11, 11-13
    - starter/generator 6-31
    - woodruff 12-3
  - key switch 6-25, 6-27
  - key switch cap 6-25, 6-27, 13-11, 13-17
  - key switch, On/Off 13-11, 13-17
  - kingpin 5-17, 5-21, 5-25
  - kit
    - 2-pin housing 13-15
    - 3-pin housing 13-15, 14-3
    - accelerator pivot rod 4-21
    - anchor body 4-5, 4-11
    - brake cable 4-19
    - brake pedal 4-7
    - brake pedal adjustment tool 17-3
    - brake shoe retainer 4-3, 4-5, 4-11
    - clutch repair 11-11, 11-13
    - differential gear case 12-7
    - drive clutch button 11-3, 11-5, 11-7
    - drive clutch weight 11-3, 11-5, 11-7
    - driven clutch button 11-11, 11-13
    - impulse fuel pump rebuild 10-7
    - IQ display module (IQDM) 17-7
    - motor brush 14-3
    - motor speed sensor 14-3
    - park brake latch 4-7, 4-9
    - park brake pedal 4-7, 4-9
    - rear receiver hitch 1-31
    - shock absorber cushion 5-31, 5-33, 5-35, 5-37
    - steering column rebuild 5-3, 5-5
    - tune-up 17-9
  - kit, taillight mounting 1-23
  - knob, forward/reverse 12-9, 12-13
- L**
- lash adjuster 7-11, 8-11
  - latch plate, tilt bed 1-19
  - latch weld 1-17
  - latch, air box 10-15
  - latch, bed 1-23
  - latch, park brake 4-7, 4-9
  - latch, slam 1-27
  - latch, spring 1-27
  - leaf spring 5-17, 5-21, 5-25, 5-31, 5-33, 5-35, 5-37
  - lens, headlight 6-17, 13-9
  - lever
    - change 12-3
    - choke 10-15
  - light
    - battery 13-11, 13-17
    - oil 6-25, 6-27
  - limit switch 6-19, 6-23, 6-29, 12-9, 13-13
  - limiter
    - current 16-13
    - RPM 7-5, 8-5
    - voltage 6-15
  - line, fuel 10-7, 10-11
  - link, rack and pinion drag 5-11
  - link, stabilizer bar 5-39, 5-41
  - liquid gasket 12-3, 15-3, 17-7
  - low oil warning light 6-25, 6-27
  - lubricant, dry moly 17-7
  - lubricant, moly-teflon 14-3, 17-7
  - lug nut 2-3, 2-5, 2-7
  - lug stud 5-27, 5-29, 12-7, 15-3
- M**
- magnet, speed sensor 14-3
  - main jet 10-9
  - maintenance/operation switch 6-37
  - mat, floor 1-5, 1-7
  - MCOR 13-15
  - mechanism, brake adjusting 4-3
  - meter clip 6-25, 6-27
  - meter, hour 13-31
  - meter, volt ohm 17-11
  - module
    - calibration test 17-3
    - communication display 17-5
  - moly-teflon lubricant 17-7
  - motor
    - 48-volt IQ Plus 14-3
    - brush 14-3
    - brush kit 14-3
    - brush spring 14-3
    - bumper 14-3
    - controller 13-29
    - end cap 14-3
    - frame and field 14-3
    - headband, sealed 14-3
    - headband, vented 14-3
    - magnet, speed sensor 14-3
    - speed sensor 14-3
    - speed sensor kit 14-3
    - terminal and lead assembly 14-3
    - terminal insulator 14-3
    - AC electric 14-3
  - mount, compression 5-39, 5-41
  - mount, fuel pump 10-7
  - mounting block, brake 4-7, 4-9
  - moveable-face 11-3, 11-5, 11-7, 11-11, 11-13
  - muffler hose clamp 9-3
- N**
- name plate 3-27, 3-29, 3-31
  - needle bearing 12-5
  - nozzle, main 10-9
  - nut, lug 2-3, 2-5, 2-7
- O**
- OBC 13-29
  - oil filler tube 7-3, 8-3
  - oil filter 7-7, 8-7
  - oil filter mount bracket 7-7, 8-7
  - oil filter screen 7-11, 8-11
  - oil filter screen plate 7-11, 8-11
  - oil level sensor 7-11, 8-11
  - oil level switch bracket 7-11, 8-11
  - oil pump and rotor 7-7, 8-7
  - oil pump cover 7-7, 8-7
  - oil pump filter 7-7, 8-7
  - oil pump plate 7-7, 8-7
  - oil seal 7-9, 7-11, 7-13, 8-9, 8-11, 8-13, 12-3, 12-5
  - oil warning light, low 6-25, 6-27
  - onboard battery charger 16-5, 16-15
  - onboard computer 13-29
  - operation/maintenance switch 6-37
  - O-ring 7-3, 7-9, 7-11, 7-13, 8-3, 8-9, 8-11, 8-13

# INDEX

- P**
- pad
    - accelerator pedal 4-21
    - brake pedal 4-7, 4-9
    - park brake 4-7, 4-9
  - paint, touch-up 17-7
  - panel
    - left 1-27
    - right 1-27
  - panel box 1-23
  - panel, front 1-23, 1-27
  - panel, instrument 6-25, 6-27, 13-11, 13-17
  - park brake latch 4-7, 4-9
  - park brake pedal 4-7, 4-9
  - park brake rod sleeve 4-7, 4-9
  - park brake spacer 4-7, 4-9
  - park brake torsion spring 4-7, 4-9
  - pawl 4-7, 4-9
  - pedal group 4-9
  - pedal, accelerator 4-21
  - pedal, brake 4-7
  - pedal, park brake 4-7, 4-9
  - pencil grip 5-7
  - pilot air screw assembly 10-9
  - pilot jet 10-9
  - pin, differential 12-7
  - pin, piston 7-13, 8-13
  - pinion, steering 5-11
  - pipe, intake 10-11
  - piston 7-13, 8-13
  - piston anchor 4-5, 4-11
  - piston pin 7-13, 8-13
  - piston ring 7-13, 8-13
  - piston ring compressor 17-9
  - piston ring pliers 17-9
  - piston ring set 7-13, 8-13
  - pivot arm 12-3
  - pivot support bearing 4-21
  - plate
    - backing (brake) 4-3
    - component mounting 13-29
    - engine mounting 7-15, 7-17, 8-15, 8-17
    - flywheel fan 7-5, 8-5
    - front spring retainer 5-17, 5-21, 5-25
    - latch 1-19
    - name 3-27, 3-29, 3-31
    - oil filter screen 7-11, 8-11
    - oil pump 7-7, 8-7
    - receptacle backing 13-19, 16-11, 16-21
    - score card 5-7, 5-9
    - spring mounting 5-17, 5-21, 5-25
    - steering wheel 5-9
    - thrust 12-5, 12-7
  - plate, Tow/Run switch 13-25
  - pliers
    - internal retaining ring 17-7
    - piston ring 17-9
    - retaining ring 17-9
  - plug
    - drain 7-7, 8-7
    - driven clutch puller 17-5
    - fill 12-3
    - hole 13-17
    - spark 7-5, 8-5
  - plug cap 7-5, 8-5
  - pole set 6-31
  - port, diagnostic 13-11, 13-17
  - press weldment 17-5
  - prop rod 1-21
  - protector spray, battery terminal 17-3
  - puller
    - bearing 17-3
    - clutch 17-3
    - drive clutch 17-5
    - drive clutch hub 17-5
    - driven clutch cam 17-5
    - flywheel 17-7
    - seal 17-9
    - special use tool 17-9
  - pulley
    - clutch 11-3, 11-5
    - drive clutch 11-7
    - starter-generator 6-31
  - pump, impulse fuel 10-7
  - push rod 7-9, 8-9
- R**
- race, front hub bearing 5-27, 5-29
  - rack and pinion drag link 5-11
  - rack guide pressure spring 5-11
  - rack, steering 5-11
  - ratchet, park brake 4-7, 4-9
  - reamer, valve guide 17-9
  - rear fender 1-33
  - rear spring shackle 5-31, 5-33
  - receiver hitch 1-31
  - receptacle and fuse 13-19
  - receptacle backing plate 13-19, 16-11, 16-21
  - receptacle, AC cord 16-13
  - receptacle, battery charger 13-19
  - rectifier with heatsink 16-3, 16-5, 16-13, 16-15
  - reel bracket 16-7, 16-17
  - reel cord 16-7, 16-11, 16-17, 16-21
  - regulator, voltage 6-19, 6-21, 6-23
  - relay 6-23
  - relay mounting bracket 6-23, 16-5, 16-15
  - relay, 12-volt 6-15
  - relay, 48-volt 13-3, 13-29, 16-3, 16-5, 16-13, 16-15
  - remover, bearing and oil seal 17-3
  - retainer
    - accelerator pedal spring 4-21
    - brake shoe 4-3, 4-5, 4-11
    - headlight 6-17, 13-9
    - shock absorber cushion 5-31, 5-33, 5-35, 5-37
    - spring (drive clutch) 11-3, 11-5, 11-7
    - valve spring 7-9, 8-9
  - retainer, battery charger 16-21
  - retaining ring 5-3, 5-5
  - retaining ring pliers 17-9
  - return spring bumper 4-21
  - reverse buzzer 6-25, 6-27, 13-11, 13-17
  - rim, wheel 2-5, 2-7
  - rim, wheel, silver 2-5, 2-7
  - rim, wheel, white 2-3
  - ring
    - piston 7-13, 8-13
    - retaining 5-3, 5-5, 6-19, 6-21, 6-23, 11-3, 11-5, 11-7, 11-11, 11-13
    - snap 5-11, 7-9, 7-13, 8-9, 8-13
    - spiral backup 11-3, 11-5, 11-7
    - synchronizer 12-5
  - ring, C-type stop 5-11
  - ring, piston 7-13, 8-13
  - rivet, blind push 1-3, 1-5, 13-23
  - rocker arm 7-9, 8-9
  - rocker case 7-9, 8-9
  - rocker case gasket 7-9, 8-9
  - rocker shaft 7-9, 8-9
  - rocker switch 13-11, 13-17
  - rocker switch (lights) 6-15, 13-3
- Rod**
- accelerator 4-23
  - accelerator pivot 4-21
  - battery hold-down 13-33, 13-35
  - connecting 7-13, 8-13
  - crankshaft 7-13, 8-13
  - equalizer 4-13, 4-17, 4-19
  - hill brake 4-7, 4-9
  - prop 1-21
  - push 7-9, 8-9
  - shift 12-5
  - tie 5-15, 5-19, 5-23
- Rotor, oil pump and** 7-7, 8-7
- RPM limiter** 7-5, 8-5
- RPM limiter bracket** 7-5, 8-5
- RPM limiter damper** 7-5, 8-5
- RPM limiter mount band** 7-5, 8-5
- rubber bumper** 1-27
- S**
- safety first card 17-9
  - score card clip 5-7
  - score card plate 5-7
  - screen, oil filter 7-11, 8-11
  - screw, eccentric adjustment 5-17, 5-21, 5-25

# INDEX

- screw, valve clearance adjuster 17-9
- seal
  - bearing 5-3, 5-5
  - intake 10-15
  - lip 15-3
  - oil 7-9, 7-11, 7-13, 8-9, 8-11, 8-13, 12-3, 12-5, 12-7, 15-3
  - steering pinion dust 5-11
  - vertical socket dust 5-11, 5-15, 5-19, 5-23
- seal puller 17-9
- seal, bed 1-15, 1-17
- sealant 12-3, 15-3
- seat
  - spring 7-9, 8-9
  - valve 7-7, 8-7
- seat back 1-13
- seat back assembly 1-13
- seat back cap 1-13
- seat back tube 1-15
- seat back, white 1-13
- seat bottom assembly 1-11
- seat bumper 1-11
- seat cover, vinyl 1-11
- seat strap 1-11
- seat, bearing 5-3, 5-5
- sending unit, fuel gauge 10-5
- sensor, motor speed 14-3
- sensor, oil level 7-11, 8-11
- set, brush and screw 6-31
- set, pole 6-31
- shackle weldment 5-35
- shackle, rear spring 5-31, 5-33
- shaft
  - change 12-3
  - counterbalance guide 7-13, 8-13
  - input 15-3
  - intermediate 15-3
  - intermediate steering 5-3
  - rocker 7-9, 8-9
  - steering column 5-3, 5-5
  - transmission 12-5
- shield, air duct 10-17
- shield, battery charger 16-11, 16-21
- shift fork 12-5
- shift lever 12-3
- shift rod 12-5
- shifter, FNR 12-9
- shim, camshaft 7-11, 8-11
- shim, crankshaft 7-13, 8-13
- shim, latch plate 1-19
- shim, tilt bed pivot 1-17
- shock absorber 5-15, 5-19, 5-23, 5-31, 5-33, 5-35, 5-37
- shock absorber cushion 5-31, 5-33, 5-35, 5-37
- shock absorber cushion retainer 5-31, 5-33, 5-35, 5-37
- shock extension 5-37
- shock mounting bracket 5-35
- shoe, brake 4-3, 4-5, 4-11
- shroud 7-3, 8-3
- shroud, engine 7-3, 8-3
- shroud, fan 7-3, 8-3
- slam latch 1-27
- sleeve
  - delta A-plate 5-15, 5-19, 5-23
  - governor 12-5
  - park brake rod 4-7, 4-9
  - synchronizer 12-5
- snap ring 5-11, 7-9, 7-13, 8-9, 8-13
- snubber bracket 7-15, 7-17, 8-15, 8-17
- snubber, inner frame 7-15, 7-17, 8-15, 8-17
- socket 5-11, 5-15, 5-19, 5-23
- solenoid 13-29
- solenoid, 12-volt 6-19, 6-21, 6-23
- spacer 1-5, 13-33, 13-35
  - accelerator pivot rod 4-21
  - park brake 4-7, 4-9
- spanner wrench 17-9
- spark plug 7-5, 8-5
- speed controller 13-29
- speed sensor 14-3
- speed sensor magnet 14-3
- speed sensor, motor 14-3
- spindle 5-27, 5-29
- spiral backup ring 11-3, 11-5, 11-7
- splash guard 10-3
- spray, battery terminal protector 17-3
- spring
  - accelerator return 4-21
  - brake 4-3, 4-5, 4-11
  - brake return 4-17, 4-19
  - brush 6-31, 14-3
  - camshaft 7-11
  - compression 5-7
  - drive button 11-3, 11-5, 11-7
  - drive clutch 11-3, 11-5, 11-7
  - driven clutch 11-11
  - extension return 10-15
  - latch tilt 1-23
  - leaf 5-17, 5-21, 5-25, 5-31, 5-33, 5-35, 5-37
  - park brake torsion 4-7, 4-9
  - rack guide pressure 5-11
  - shifter 12-5
  - steering shaft compression 5-3, 5-5
  - synchronizer 12-5
  - throttle return 10-11
  - valve 7-9, 8-9
- spring cup 4-21
- spring latch 1-27
- spring mounting plate 5-17, 5-21, 5-25
- spring, motor brush 14-3
- spur gear 7-13, 8-13, 12-5
- stabilizer bar 5-39, 5-41
- stabilizer bar link 5-39, 5-41
- stabilizer bar mounting bracket 5-39, 5-41
- starter/generator 6-31
- starter/generator belt 6-33, 11-3, 11-5, 11-7
- starter/generator pulley 6-31
- steel bushing 1-17, 5-17, 5-21, 5-25, 5-31, 5-33, 5-35, 5-37
- steel pressure relief ball 7-7, 8-7
- steering column 5-3, 5-5
- steering column bearing press tool 17-9
- steering column retaining ring tool 17-9
- steering gear box 5-11
- steering joint 5-5
- steering pinion 5-11
- steering pinion dust seal 5-11
- steering rack 5-11
- steering shaft assembly 5-3, 5-5
- steering shaft compression spring 5-3, 5-5
- steering wheel 5-7, 5-9
- steering wheel plate 5-9
- steering wheel puller tool 17-9
- stem, valve 2-3, 2-5, 2-7
- stiffener 1-11
- stiffener, flywheel side 7-15, 7-17, 8-15, 8-17
- stiffener, PTO side 7-15, 7-17, 8-15, 8-17
- strap, A-plate 5-15, 5-19, 5-23
- strap, fuel tank 10-7
- strap, seat 1-11
- stud 7-15, 7-17, 8-15, 8-17
  - lug 5-27, 5-29, 12-7, 15-3
  - self-clinching 1-25, 1-27
- stud, ball 6-19, 6-21, 6-23
- support yoke (steering) 5-11
- support, bushing 5-39, 5-41
- suppressor, voltage 6-15, 13-3, 16-3, 16-5, 16-13, 16-15
- switch
  - four-position 16-13, 16-15
  - key 6-25, 6-27, 13-11, 13-17
  - light rocker 6-15, 13-3
  - limit 6-19, 6-23, 6-29, 12-9, 13-13
  - rocker 13-11, 13-17
  - Tow/Run 13-25
- switch plate, Tow/Run 13-25
- switch rubber boot 6-37, 13-25
- switch, operation/maintenance 6-37
- switch, toggle 6-37
- synchro gear 12-5
- synchronizer clutch hub 12-5
- synchronizer insert 12-5
- synchronizer sleeve 12-5
- synchronizer spring 12-5
- system, exhaust 9-3



# INDEX

- T**
- 12-volt battery 6-35
  - 12-volt solenoid 6-19, 6-21, 6-23
  - tachometer 17-9
  - tachometer probe, diesel 17-9
  - tailgate 1-23, 1-27
  - tailgate angle 1-25, 1-27
  - taillight mounting kit 1-23
  - taillskirt 1-33, 1-35
  - tank, fuel 10-5
  - tape 10-17
  - tape, vinyl foam 1-17
  - terminal block 6-15, 13-3, 13-23, 16-11, 16-21
  - tester, continuity 17-5
  - tether 1-27
  - thermometer, battery 17-3
  - thread-forming grease fitting 5-11, 5-15, 5-19, 5-23, 5-27, 5-29
  - throttle return spring 10-11
  - throttle spring return bracket 10-11
  - thrust bearing 5-17, 5-21, 5-25
  - thrust plate 12-5, 12-7
  - tie rod 5-15, 5-19, 5-23
  - tie wrap 5-11, 6-15, 6-19, 6-21, 6-23, 12-13, 13-3, 13-7, 13-23, 13-29, 13-31, 16-11, 16-21
  - tilt bed 1-17
  - tilt bed frame 1-17
  - tilt latch hand grip 1-17, 1-23
  - tire 2-3, 2-5, 2-7
  - tire and wheel assembly 2-3
  - toggle switch 6-37
  - tool
    - accelerator pedal adjustment 17-3
    - belt tensioning, starter/generator 17-11
    - brake adjustment 17-3
    - brake cable release 17-3
    - brake pedal adjustment 17-3
    - brake pedal tension 17-3
    - cam installation 17-3
    - carburetor float level 17-7
    - charger bezel 17-3
    - clutch alignment 17-5
    - cT-wrench 17-5
    - drive clutch fixed sheave 17-5
    - drive clutch holder 17-5
    - drive clutch spider removal 17-5
    - driven clutch spring compression base 17-5
    - driven clutch spring compression collar 17-5
    - driven clutch spring compression nut 17-5
    - governor shaft installation 17-7
    - puller, special use 17-9
    - steering column bearing press 17-9
    - steering column retaining ring 17-9
    - steering wheel puller 17-9
    - transaxle axle seal 17-9
    - transaxle pinion seal 17-9
    - transmission 17-9
    - valve guide driver 17-9
    - valve seat cutter 17-5
  - tool kit, clutch 17-5
  - touch-up paint 17-7
  - Tow/Run switch 13-25
  - Tow/Run switch bracket 6-37
  - Tow/Run switch plate 13-25
  - track, prop rod 1-21
  - trailer hitch 1-29
  - trailer hitch brace 1-29
  - transaxle 15-3
  - transaxle axle seal tool 17-9
  - transaxle housing 15-3
  - transaxle pinion seal tool 17-9
  - transaxle, unitized 12-3
  - transformer, battery charger 16-3, 16-5, 16-13, 16-15
  - transmission shaft 12-5
  - transmission tool 17-9
  - trim
    - cowl 1-3, 1-5
    - seat bottom 1-15
  - tube
    - crankcase vent 10-11
    - fuel pickup 10-5
    - oil filler 7-3, 8-3
    - seat back 1-15
  - tune-up kit 17-9
  - turn signal lens 6-17, 13-9
  - T-wrench tool 17-5
- U**
- U-bolt 5-35, 5-37
  - u-bolt 5-31, 5-33
  - unitized transaxle 12-3
  - upper delta clevis 5-17, 5-21, 5-25
  - urethane bushing 1-17, 5-15, 5-17, 5-19, 5-21, 5-23, 5-25, 5-31, 5-33, 5-35, 5-37
- V**
- valve
    - choke 10-15
    - exhaust 7-9, 8-9
    - intake 7-9, 8-9
    - reed 7-9, 8-9
  - valve clearance adjuster screw 17-9
  - valve guide 7-9, 8-9
  - valve guide driver tool 17-9
  - valve guide reamer 17-9
  - valve guide, intake 7-9, 8-9
  - valve seat 7-7, 8-7
  - valve seat cutter 17-5, 17-11
  - valve seat cutter guide 17-11
  - valve seat cutter tool 17-5
  - valve seat t-wrench 17-11
  - valve spring 7-9, 8-9
  - valve spring compressor 17-11
  - valve spring retainer 7-9, 8-9
  - valve stem 2-3, 2-5, 2-7
  - vent barb 10-7
  - vertical socket dust seal 5-11, 5-15, 5-19, 5-23
  - volt ohm meter 17-11
  - voltage limiter 6-15
  - voltage regulator 6-19, 6-21, 6-23
  - voltage suppressor 6-15, 13-3, 16-3, 16-5, 16-13, 16-15
- W**
- warning light, low oil 6-25, 6-27
  - washer, insulating 14-3
  - wedge, bearing puller 17-3
  - weight
    - clutch 11-3, 11-5, 11-7
    - counterbalance 7-13, 8-13
    - secondary clutch 11-3, 11-5, 11-7
  - weldment
    - press 17-5
  - weldment, receiver hitch 1-31
  - weldment, tilt bed frame 1-17
  - wheel 2-3
  - wheel and tire assembly 2-3
  - wheel rim 2-5, 2-7
  - wheel rim, silver 2-5, 2-7
  - wheel rim, white 2-3
  - wheel, steering 5-7, 5-9
  - wire assembly, battery charger 16-13
  - wire harness 6-5, 6-9, 6-13, 6-19, 6-21, 6-23, 13-7, 13-23, 13-29
  - wire harness, headlight 6-15, 13-3
  - woodruff key 12-3
  - wrap, tie 5-11, 6-15, 6-19, 6-21, 6-23, 12-13, 13-3, 13-7, 13-23, 13-29, 13-31, 16-11, 16-21
  - wrench, spanner 17-9
- Y**
- yoke, gear 17-7
  - yoke, support (steering) 5-11















**Club Car, Inc.**  
P.O. Box 204658  
Augusta, GA 30917-4658  
USA

**Web** [www.clubcar.com](http://www.clubcar.com)  
**Phone** 1.706.863.3000  
1.800.ClubCar  
**Int'l** +1 706.863.3000  
**Fax** 1.706.863.5808