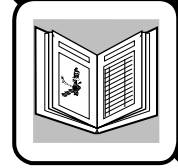


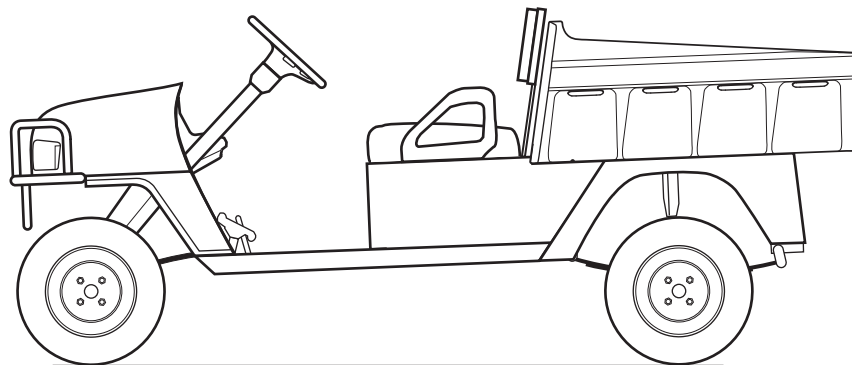
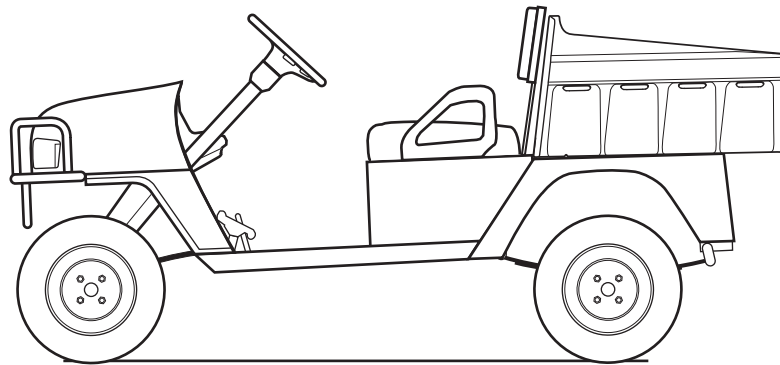
606915



A Textron Company



SERVICE PARTS MANUAL



GASOLINE POWERED UTILITY VEHICLE

ISSUED MARCH 2008

SERVICE PARTS MANUAL

GASOLINE POWERED UTILITY VEHICLES

ST 400

ST 400 CARB

ST SPORT

ST SPORT CARB

ST SPORT II CARB

JAC 4000

STARTING MODEL YEAR 2008

DISCLAIMER: The E-Z-GO Division of Textron Inc. reserves the right to incorporate engineering and design changes to products in this Manual, without obligation to include these changes on units leased/sold previously.

The information contained in this Manual may be revised periodically by the E-Z-GO Division, and therefore is subject to change without notice.

The E-Z-GO Division DISCLAIMS LIABILITY FOR ERRORS IN THIS MANUAL, and the E-Z-GO Division SPECIFICALLY DISCLAIMS LIABILITY FOR INCIDENTAL AND CONSEQUENTIAL DAMAGES resulting from the use of the information and materials in this Manual.

CUSTOMER SERVICE DEPARTMENT IN USA PHONE: 1-800-241-5855 FAX: 1-800-448-8124

OUTSIDE USA PHONE: 001-706-798-4311, FAX: 001-706-771-4609

E-Z-GO DIVISION OF TEXTRON, INC., MARVIN GRIFFIN RD., AUGUSTA, GEORGIA USA 30906

GENERAL INFORMATION

To obtain a copy of the limited warranty applicable to the vehicle, call or write a local Distributor, authorized Branch or the Warranty Department with vehicle serial number and manufacturer code.

The use of non Original Equipment Manufacturer (OEM) parts may void the warranty.

Overfilling of batteries may void the warranty.

BATTERY PROLONGED STORAGE

All batteries will self discharge over time. The rate of self discharge varies depending on the ambient temperature and the age and condition of the batteries.

A fully charged battery will not freeze in winter temperatures unless the temperature falls below -75° F (-60° C).

As with all electric vehicles, the batteries must be checked and recharged as required or at a minimum of 30 day intervals.

TABLE OF CONTENTS

SECTION	Page No.
HOW TO USE THE SERVICE PARTS MANUAL	v
ILLUSTRATED PARTS BREAKDOWN	vii
ACCELERATOR	A-1
• Pedal Box Assembly	
• Actuator Pedal Assembly	
• Governor Cover/Decal	
AIR FILTER	B-1
• Air Cleaner	
BODY	C-1
• Instrument Panel Assembly	
• Cowl	
• Front Bracket Assembly	
• Rear Body	
• Foot Rest Assembly	
BRAKES	D-1
• Brake Pedal Assembly	
• Brake Drum Assembly	
CARBURETOR AND CHOKE	E-1
• Carburetor	
• Choke Cable	
CLUTCH	F-1
• Drive Clutch	
• Driven Clutch Assembly	
DIRECTION SELECTOR	G-1
• Direction Selector Handle	
ELECTRICAL SYSTEM	H-1
• Battery	
• Ground Cable	
• Electrical Plate Assembly	
• Horn	
ENGINE AND MUFFLER	J-1
• Engine	
• Muffler	
ENGINE MOUNTING	K-1
• Front Engine Mount	

TABLE OF CONTENTS

- Engine Pan Mount
- Iso Mount

FRONT SUSPENSION L-1

- Front Axle
- Spindle Assembly
- Shock Absorber

FUEL SYSTEM M-1

- CARB Fuel Tank Assembly
- Fuel Pump
- Carbon Canister

REAR AXLE N-1

- Axle Tube
- Axle Shaft

REAR SUSPENSION P-1

- Heavy Duty Leaf Spring
- Flanged Bushing

SEATING Q-1

- Seat Bottom Assembly
- Seat Back Assembly

STARTER / GENERATOR R-1

- Insulating Brush Assembly
- Starter/Generator Adjuster

STEERING S-1

- Steering Shaft
- Steering Column
- Tie Rod Assembly

WEATHER PROTECTION T-1

- Sun Top Kit
- Windshield Kit

WHEELS AND TIRES U-1

SPECIALTY PRODUCTS APPENDIX A-1

OPTIONS AND ACCESSORIES APPENDIX B-1

HOW TO USE THE SERVICE PARTS MANUAL

This manual is divided into several sections:

GENERAL INFORMATION

- TABLE OF CONTENTS
- HOW TO USE THE SERVICE PARTS MANUAL

ILLUSTRATED PARTS BREAKDOWN

- Contains illustrations and parts lists for all systems of the vehicle

APPENDIX

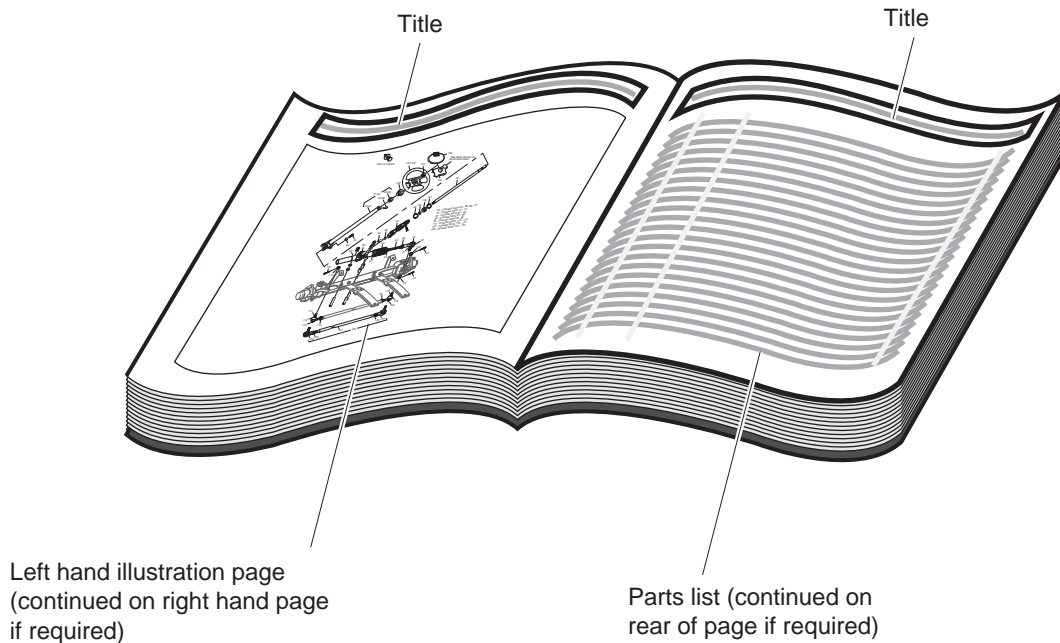
- Contains a listing of specialty products and options/accessories

USE OF THE MANUAL

To use this manual, consult the TABLE OF CONTENTS (page iii) to locate the information or illustration required.

Introduction of some revisions varies due to supply of components; therefore, it is possible that various combinations of components may be found that are not directly reflected by each illustration. Consult the illustration that best suits your situation. Locate the serial number plate (see BODY located in the Illustrated Parts Breakdown section of this manual for its location) and note the complete number shown on the plate. It is important that the serial number of your vehicle and its model number be supplied to Service Parts when ordering any replacement components.

HOW TO USE THE SERVICE PARTS MANUAL



1. WHEN THE PART NUMBER IS NOT KNOWN

- Determine the function and application of the part required. Turn to the INDEX OF MAJOR COMPONENTS and select the most appropriate component description.
- Turn to the page number indicated and locate the part description in the parts list. Read the full accompanying description for specific information regarding the part that was not shown in the index.
- From the parts list, obtain the item number assigned to it and confirm that the part selected is correct by verifying it with the pictorial representation on the illustrated page.

2. IF YOU KNOW THE PART NUMBER

- Use the INDEX OF MAJOR COMPONENTS to find the page(s) the part number appears on.
- Turn to the page number indicated and locate the part number in the parts list. Refer to the accompanying description for specific information regarding the part.
- From the parts list, obtain the item number assigned to it and confirm that the part selected is correct by verifying it with the pictorial representation on the illustrated page.

Should an asterisk (*) appear in the part number column on the parts list page, read upwards until a part number is found. The part number is the lowest assembly sold by Service Parts. The asterisk (*) indicates that the part depicted is not available for purchase.

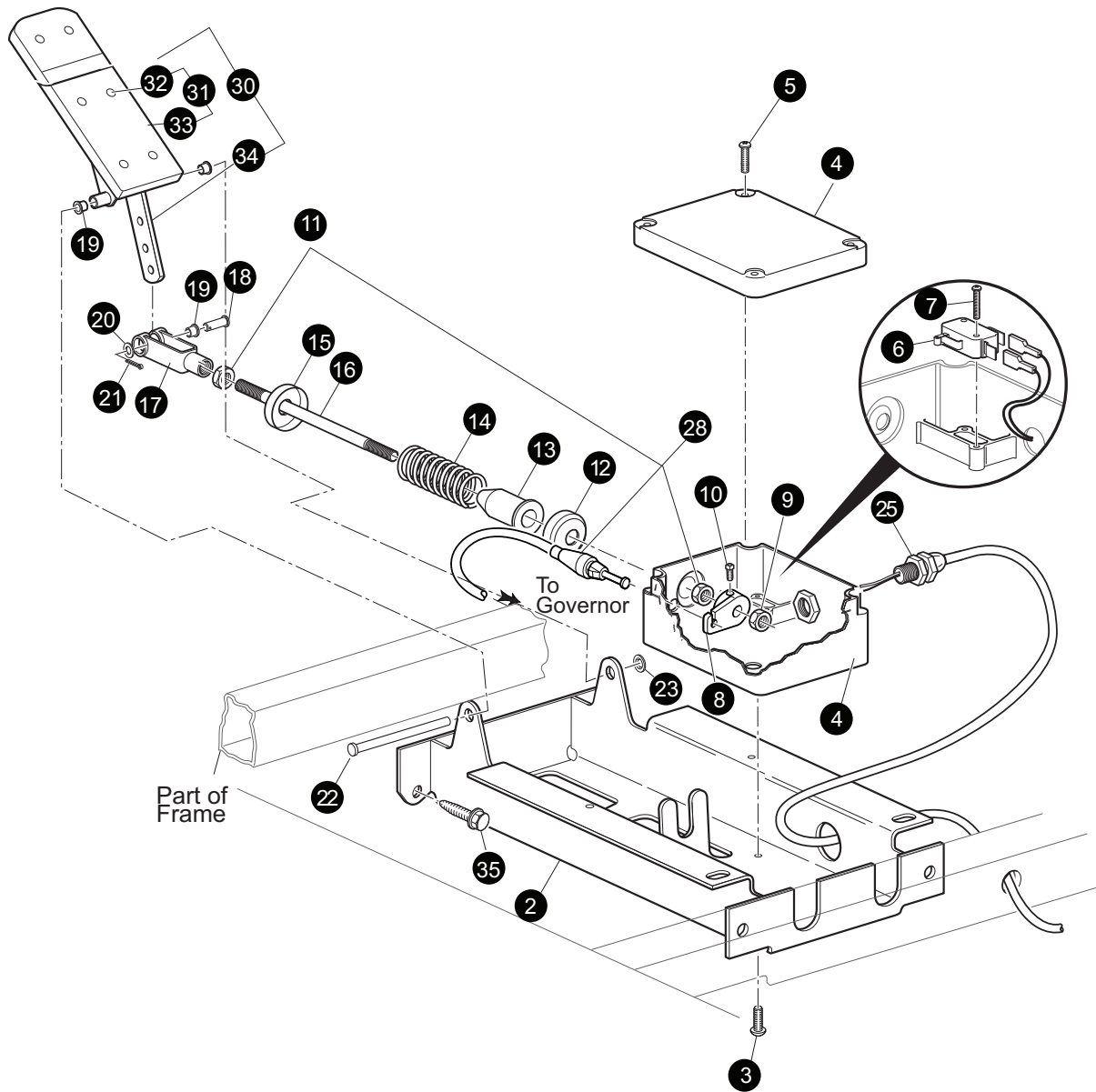
NOTE: Descriptions are indented under the assembly that they are used on. That assembly is, in turn listed under the assembly that it is used on. This process is repeated until the highest final assembly is reached.

To facilitate the maintenance and repair of the vehicle, a Technician's Repair and Service Manual is available from the Service Parts Department.

ILLUSTRATED PARTS BREAKDOWN

ACCELERATOR

1 - Includes Items 3 - 34



ACCELERATOR

When ordering parts, please specify the model and serial number of the product.

* Indicates a component that is not available as an individual part.

*** Indicates consult Customer Service Department for additional information.

ITEM	PART NO.	1 2 3 4 5	DESCRIPTION	QTY.
1	606990		PEDAL BOX ASSEMBLY (INCLUDES ITEMS 2 - 34)	1
2	70116G02		ACCELERATOR PEDAL BRACKET	1
3	01051G01		SCREW, #8 - 16 X 1/2" LG	4
4	25853G03		PEDAL BOX AND COVER	1
5	00684G6		SCREW, #8 - 32 X 3/4" LG (STAINLESS STEEL)	2
6	25861G01		MICRO SWITCH	1
7	01050G01		SCREW, #4 - 20 X 5/8" LG	2
8	72716G01		MICRO SWITCH CAM	1
9	15126G1		LOCK NUT, 5/16 - 24	1
10	00487G3		SETSCREW, 1/4 - 20 X 3/8" LG	1
11	00532G4		NUT, 5/16 - 24	2
12	17677G1		SPRING RETAINER	1
13	17979G1		ACCELERATOR ROD BUSHING	1
14	73046G01		COMPRESSION SPRING	1
15	17677G2		SPRING RETAINER	1
16	72072G01		ACCELERATOR ROD	1
17	10385G4		CLEVIS YOKE (ADJUSTABLE)	1
18	10386G3		CLEVIS PIN, 5/16" X 13/16" LG	1
19	17838G1		NYLON BUSHING	3
20	17255G1		TEFLON WASHER, 5/16"	1
21	10387G3		COTTER PIN, 3/32" X 3/4" LG	1
22	74432G01		PEDAL PIVOT PIN	1
23	12064G6		PUSH NUT, 9/32"	1
24	12730G1		WHEEL BEARING GREASE (NOT ILLUSTRATED)	A/R
25	72201G04		WIRE HARNESS (PEDAL BOX)	1
26				
27				
28	608608		ACCELERATOR CABLE	1
29				
30	25799G03		ACCELERATOR PEDAL ASSEMBLY (INCLUDES ITEMS 31- 33)	1
31	27844G01		ACCELERATOR PEDAL PAD KIT (INCLUDES ITEMS 32- 33)	1

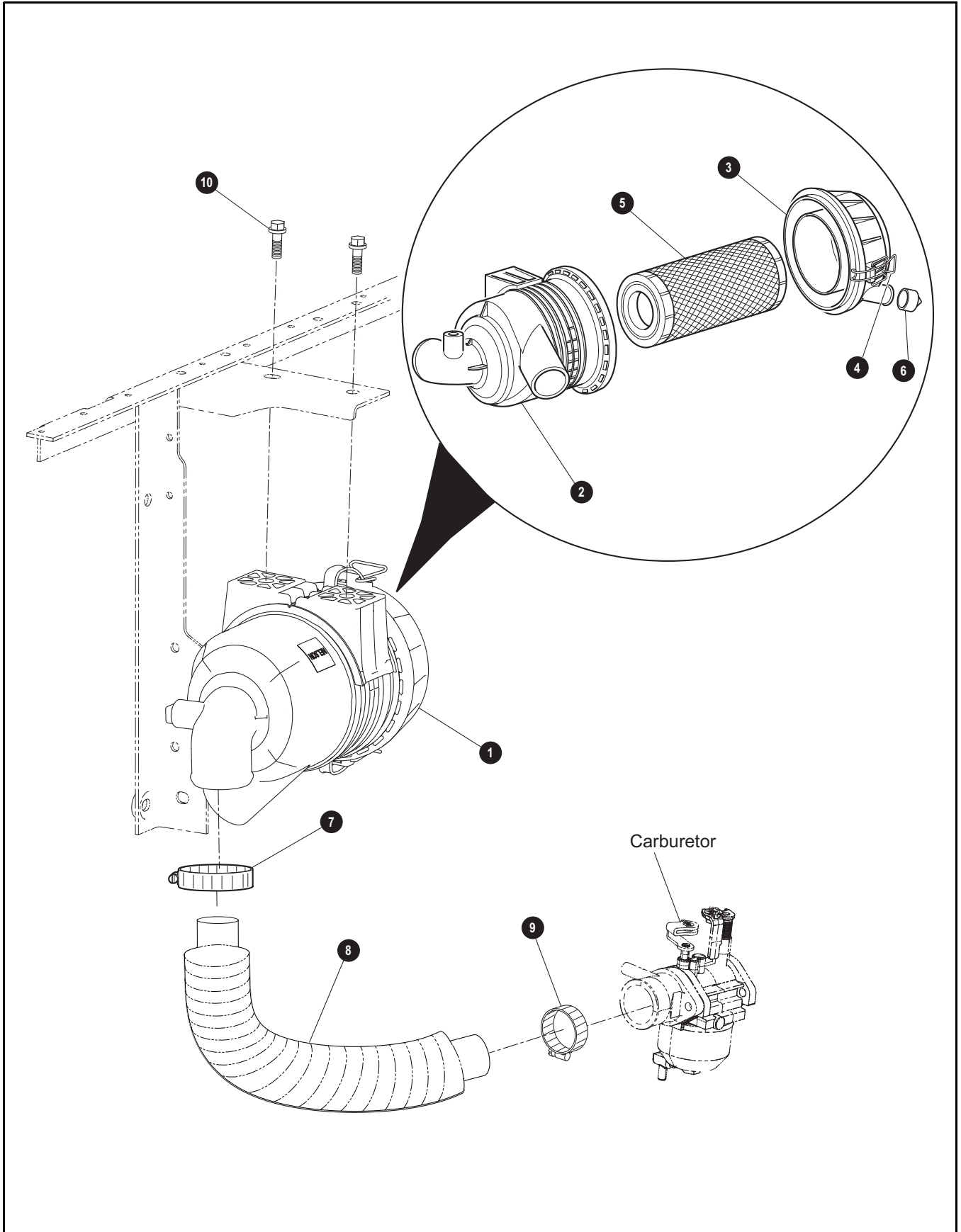
When ordering parts, please specify the model and serial number of the product.

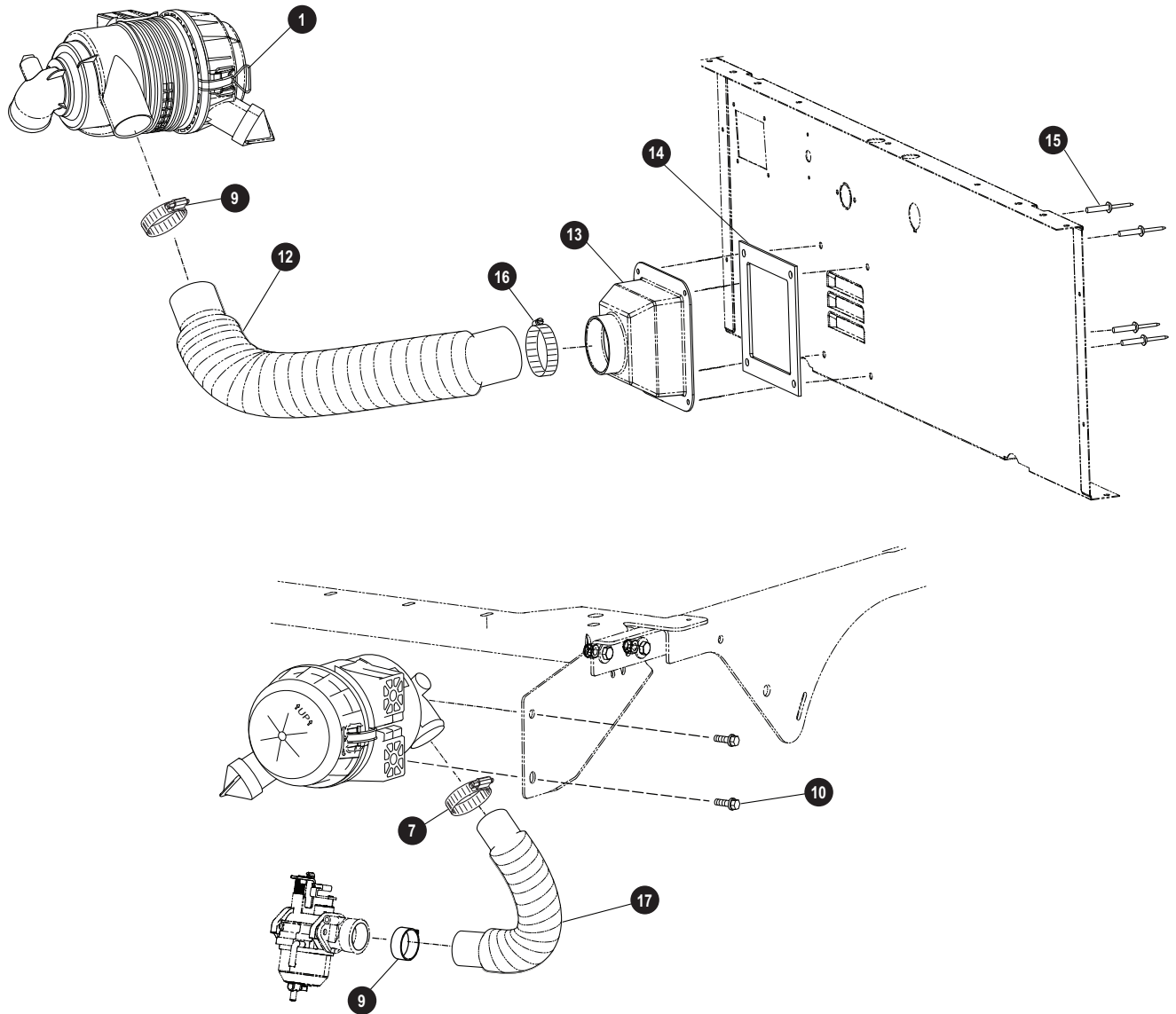
* Indicates a component that is not available as an individual part.

*** Indicates consult Customer Service Department for additional information.

ITEM	PART NO.	1	2	3	4	5	DESCRIPTION	QTY.
32	16409G1						OVAL RIVET, 3/16" X 7/16" LG	6
33	27512-G01						ACCELERATOR PEDAL PAD	1
34	*						ACCELERATOR PEDAL	
35	00715G2						BOLT, 5/16 -18 X 4/5" LG.....	4
36								
37								
38								
39								
40								
41								
42								
43	606083						UPPER GOVERNOR BRACKET.....	1
44	606005						LOWER GOVERNOR BRACKET	1
45	606265						BOLT, M6 - 1 X 12.....	1
46	606421						BOLT, M6 - 1 X 30.....	1
47	450452						NUT, M6 - 1.0.....	1
48	606283						GOVERNOR LEVER BUSHING	1
49	606284						GOVERNOR ROD	1
50	603890						GOVERNOR ROD GUARD	1
51	606264						BOLT, M6 - 1 X 20.....	1
52	606262						BOLT, M8 - 1.25 X 16.....	1
53	606074						GOVERNOR CABLE / DIRECTION SELECTOR BRACKET	1
54	606256						BOLT, M10 - 1.25 X 16.....	2
55	14601G11						RIVET.....	1
56	608527						GOVERNOR WARNING DECAL.....	1
57	00915G1						WASHER	1
58	606199						GOVERNOR COVER	1
59	17618G1						NYLON CLAMP	2

AIR FILTER





AIR FILTER

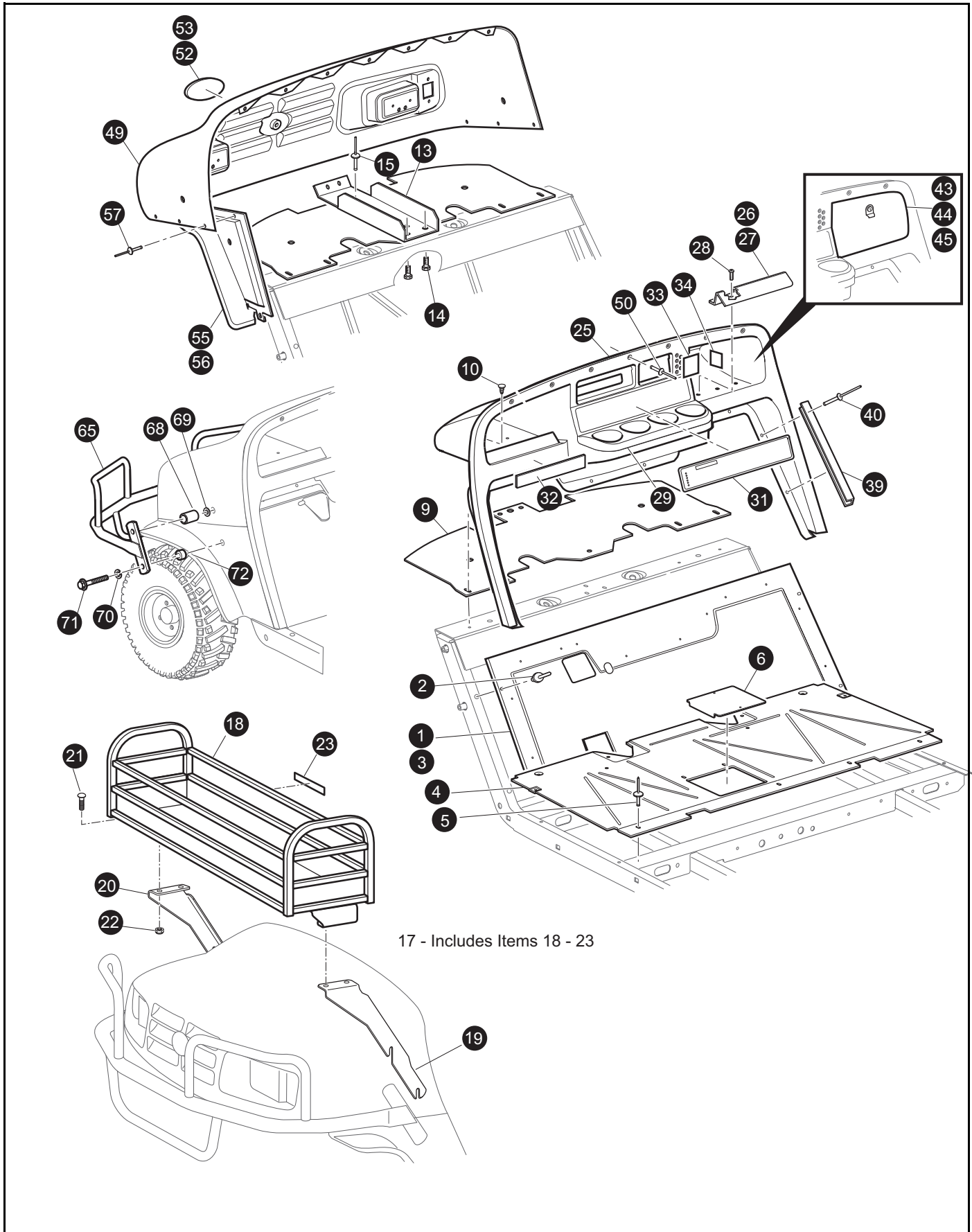
When ordering parts, please specify the model and serial number of the product.

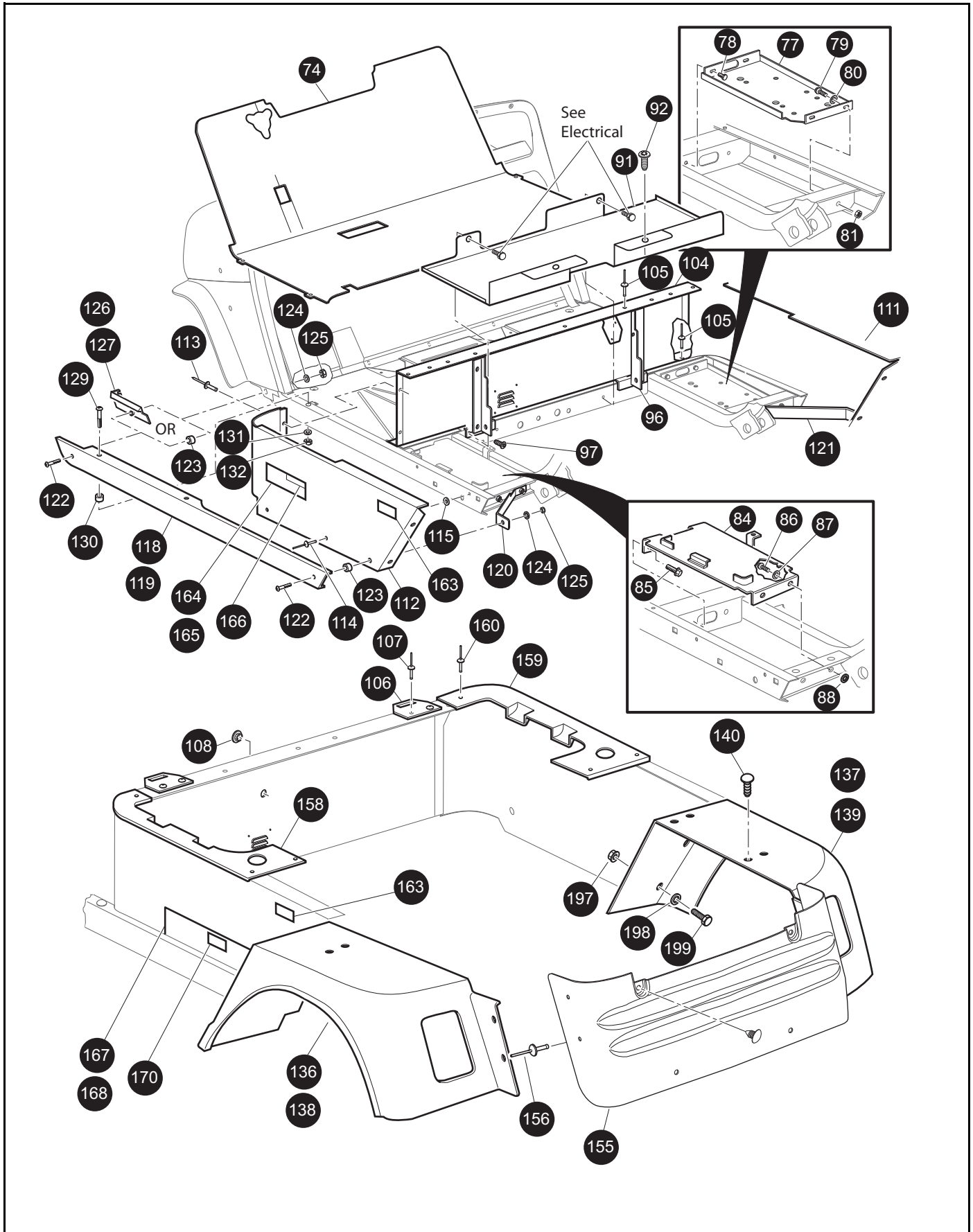
* Indicates a component that is not available as an individual part.

*** Indicates consult Customer Service Department for additional information.

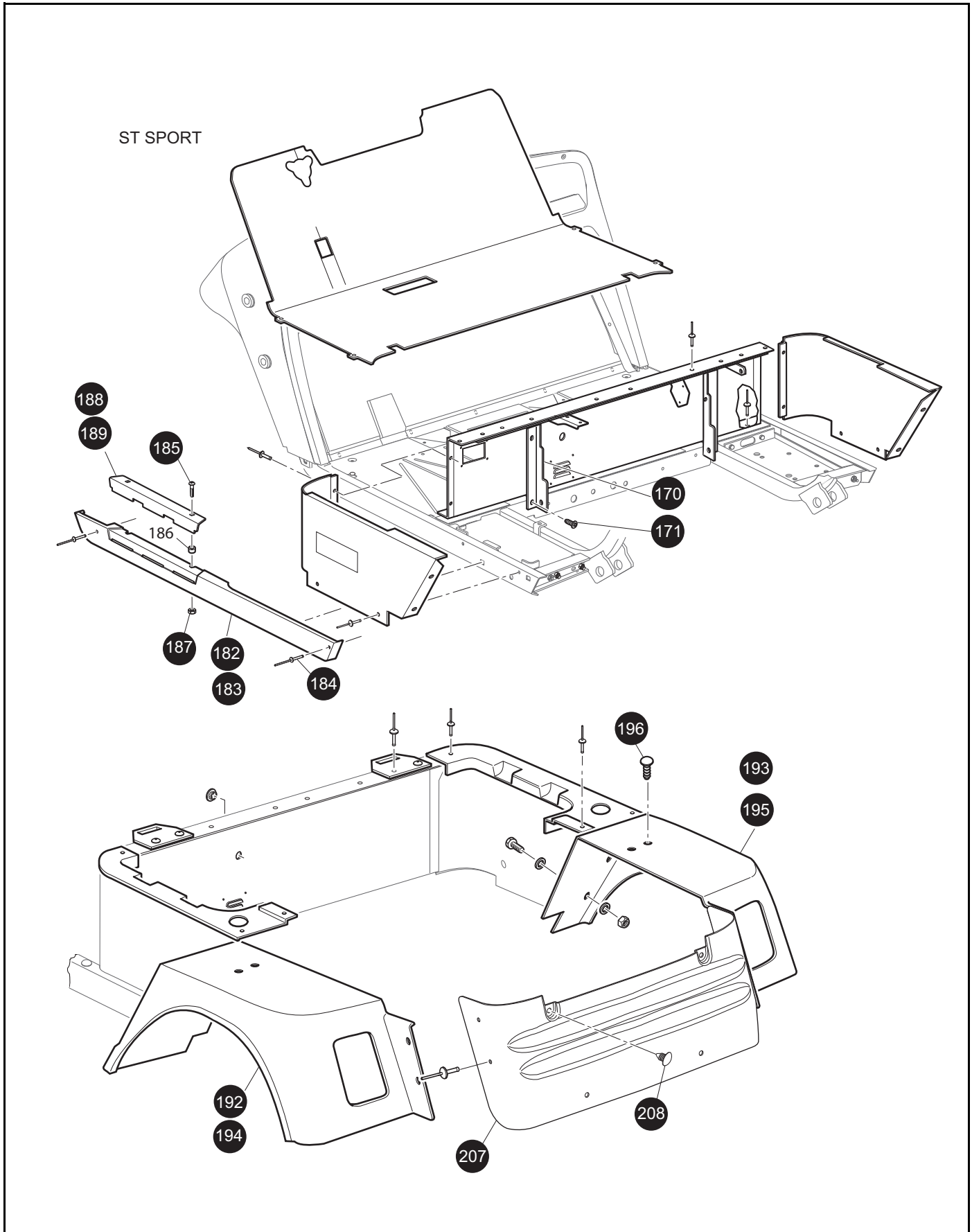
ITEM	PART NO.	1 2 3 4 5	DESCRIPTION	QTY.
1	606952		AIR CLEANER (INCLUDES ITEMS 2 - 6).....	1
2	607269		BODY & BRACKET ASSEMBLY	1
3	72599G01		AIR CLEANER COVER	1
4	72604G01		AIR CLEANER CLIP	2
5	28463G01		AIR FILTER	1
6	28462G01		VALVE DUST EJECTOR.....	1
7	11391G7		HOSE CLAMP, 1.56 - 2.50 DIA	1
8	607950		HOSE 10" LONG	1
9	11391G1		HOSE CLAMP 1.31 - 2.25 DIA.....	3
10	25532G1		BOLT AND WASHER, M8 X 1.25 X 18 MM	4
11				
12	72637G03		HOSE, AIR INTAKE, 16" LONG	1
13	72416G01		INTAKE ASSEMBLY, REMOTE AIR.....	1
14	72415G01		GASKET, REMOTE AIR INTAKE	1
15	71055G01		RIVET, 3/16 DIA	4
16	11391G2		CLAMP, HOSE, 2.06 - 3.00 DIA	1
17	601910		HOSE, 14' LONG	1

BODY

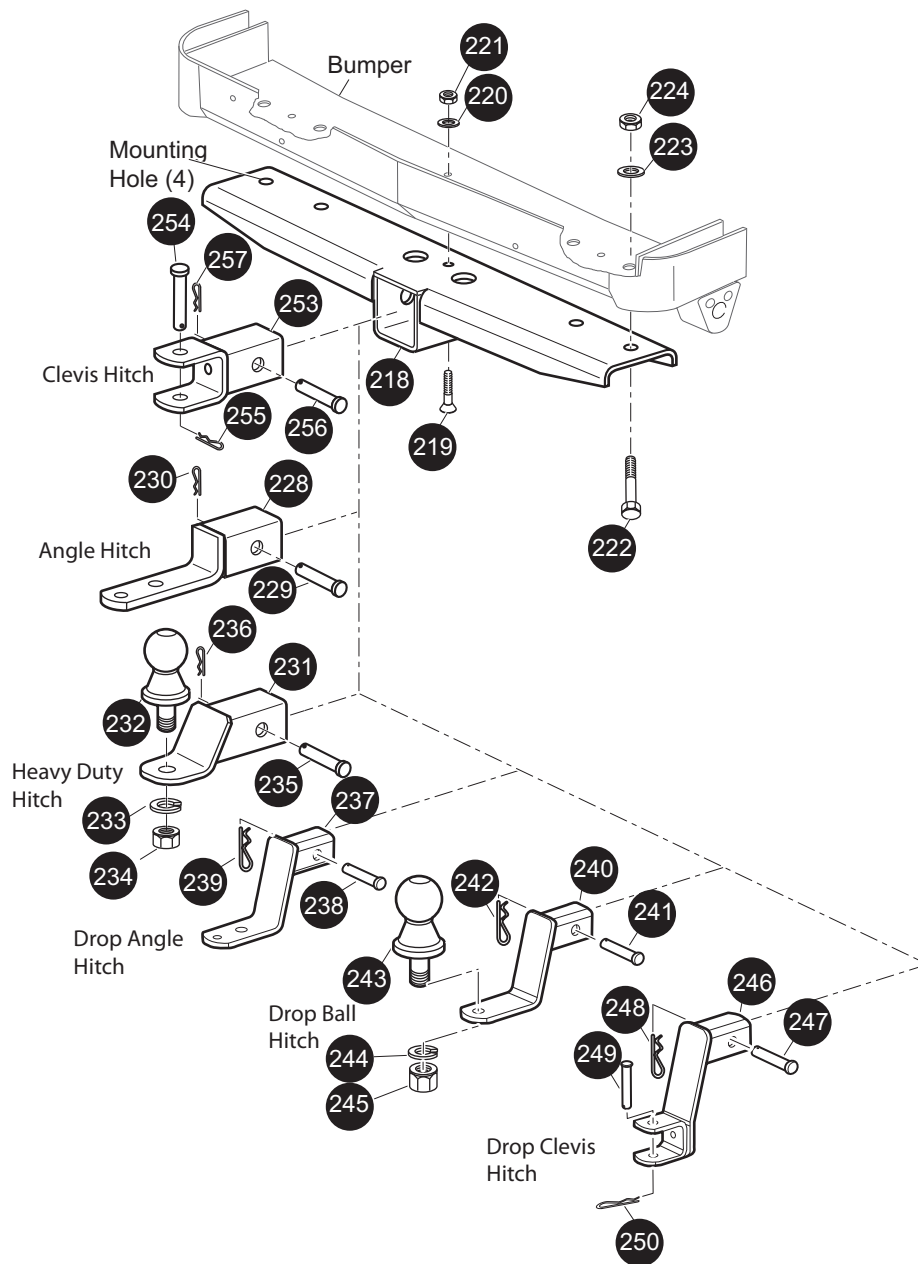




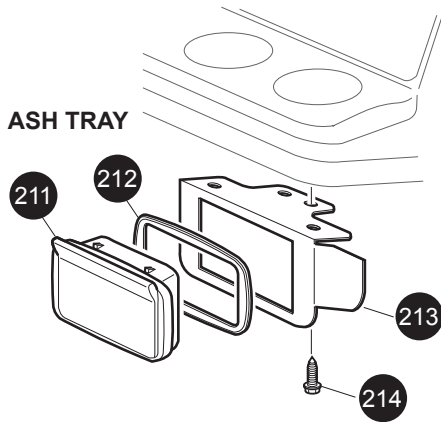
BODY



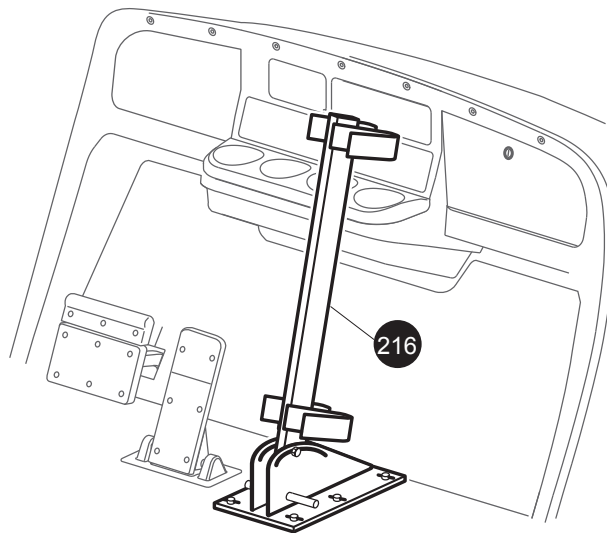
HITCHES



ASH TRAY



**FLOOR MOUNT
GUN HOLDER**



When ordering parts, please specify the model and serial number of the product.

* Indicates a component that is not available as an individual part.

*** Indicates consult Customer Service Department for additional information.

ITEM	PART NO.	1 2 3 4 5	DESCRIPTION	QTY.
1	71510G01		UPPER FLOORPAN	1
2	14601G11		RIVET, 3/16" X 9/16" LG (ALUMINUM).....	9
3	70662G01		UPPER FLOORPAN (ST SPORT II).....	1
4	70451G01		LOWER FLOORPAN	1
5	14601G11		RIVET, 3/16" X 9/16" LG (ALUMINUM).....	7
6	70452G01		ACCESS COVER.....	1
7				
8				
9	71413G01		SPLASH PANEL	1
10	16816G2		RATCHET FASTENER, 1/4" X 3/4" LG.....	4
11				
12				
13	71101G02		COWL SUPPORT BRACKET	1
14	71102G02		SELF TAPPING SCREW, 1/4 - 20 X 1/2" LG.....	3
15	71055G01		RIVET, 3/16" X 1 1/8" LG (ALUMINUM).....	1
16				
17	74521G02		FRONT BASKET ASSEMBLY (INCLUDES ITEMS 18 - 23).....	1
18	74523G01		FRONT BASKET	1
19	74522G01		BASKET MOUNTING BRACKET (DRIVER SIDE)	1
20	74522G02		BASKET MOUNTING BRACKET (PASSENGER SIDE).....	1
21	00725G1		CARRIAGE BOLT, 3/8 - 16 X 1" LG (STAINLESS STEEL)	4
22	00891G1		LOCK NUT, 3/8 - 16.....	4
23	71931G01		LABEL, FRONT BASKET (WARNING)	1
24				
25	71151G03		INSTRUMENT PANEL ASSEMBLY (INCLUDES ITEMS 26 - 29).....	1
26	71153G01		DEFLECTOR (PASSENGER SIDE)	1
27	71154G01		DEFLECTOR (DRIVER SIDE).....	1
28	00614G5		SCREW, #8 - 18 X 5/8" LG.....	4
29	71158G01		INSTRUMENT PANEL INSERT (FOUR CUP)	1
30				
31	601781		LABEL (SAFETY).....	1

BODY

When ordering parts, please specify the model and serial number of the product.

* Indicates a component that is not available as an individual part.

*** Indicates consult Customer Service Department for additional information.

ITEM	PART NO.	1 2 3 4 5	DESCRIPTION	QTY.
32	74443G01		LABEL (ANTI-ROLL BACK)	1
33	35968G01		LABEL (T-HOLDER COVER)	1
34	*		SERIAL NUMBER PLATE	1
35				
36				
37				
38				
39	71115G01		VINYL TRIM	2
40	71055G01		RIVET, 3/16" X 1" LG (ALUMINUM)	10
41				
42				
43	75456G01		GLOVE BOX DOORS (BOTH SIDES)	1
44	75456G02		GLOVE BOX DOOR (DRIVER SIDE)	1
45	75456G03		GLOVE BOX DOOR (PASSENGER SIDE)	1
46				
47				
48				
49	71469G**		COWL	1
50	71055G01		RIVET, 3/16" X 1" LG (ALUMINUM)	7
51				
52	605434		NAMEPLATE (E-Z-GO) (OVAL)	1
53	28907G01		NAMEPLATE (JACOBSON) (OVAL)	1
54				
55	71338G01		FENDER FLARE (DRIVER SIDE)	1
56	71338G02		FENDER FLARE (PASSENGER SIDE)	1
57	71055G01		RIVET, 3/16" X 1" LG (ALUMINUM)	6
58				
59				
60				
61				
62				

When ordering parts, please specify the model and serial number of the product.

* Indicates a component that is not available as an individual part.

*** Indicates consult Customer Service Department for additional information.

ITEM	PART NO.	1 2 3 4 5	DESCRIPTION	QTY.
63				
64				
65	74265G02		BUMPER.....	1
66				
67				
68	75048G04		SPACER, 1"	2
69	00570G2		WASHER, 5/16"	2
70	00905G8		LOCK WASHER, 5/16"	4
71	01035G02		BOLT, 5/16 - 18 X 2 1/2" LG.....	4
72	75048G01		SPACER.....	2
73				
74	70048G06		FLOORMAT	1
75	70663G03		FLOORMAT 1/8 (ST SPORT II).....	1
76				
77	70244G03		SPLASH PANEL	1
78	00715G2		BOLT, 5/16 - 18 X 4/5" LG.....	4
79	00438G8		BOLT, 5/16 - 18 X 1" LG (ST 350).....	2
80	00559G8		WASHER, 5/16" (ST 350).....	2
81	11098G6		LOCK NUT, 5/16 - 18 (STAINLESS STEEL) (ST 350).....	2
82				
83				
84	600496		BATTERY TRAY.....	1
85	00715G2		BOLT, 5/16 - 18 X 4/5" LG.....	AR
86	00438G6		BOLT, 5/16 - 18 X 3/4" LG.....	3
87	00571G2		WASHER, 5/16"	1
88	00565G8		LOCK WASHER, 5/16"	1
89				
90				
91	70629G01		SPLASH PANEL	1
92	00106G6		SELF THREADING SCREW, #12 - 24 X 3/4" LG	2
93				

BODY

When ordering parts, please specify the model and serial number of the product.

* Indicates a component that is not available as an individual part.

*** Indicates consult Customer Service Department for additional information.

ITEM	PART NO.	1	2	3	4	5	DESCRIPTION	QTY.
94								
95								
96	605763						SEAT FRAME (ST 400).....	1
97	00715G2						BOLT, 5/16 - 18 X 4/5" LG	2
98								
99								
100								
101								
102								
103								
104	71977G**						SEAT WRAP PANEL WITH LOUVERS.....	1
105	10570G10						RIVET, 5/32" X 9/16" LG (STAINLESS STEEL)	8
106	71609G01						SEAT HINGE PLATE	2
107	10570G11						RIVET, 3/16" X 3/4" LG (STAINLESS STEEL)	4
108	20271G9						HOLE PLUG	1
109								
110								
111	71674G**						SIDE PANEL (DRIVER SIDE) (ST 350)	1
112	71674G**						SIDE PANEL (PASSENGER SIDE) (ST 350).....	1
113	10570G10						RIVET, 5/32" X 9/16" LG (STAINLESS STEEL)	4
114	10570G12						RIVET, 1/4" X 9/16" LG (ALUMINUM)	4
115	16469G1						WASHER, 1/4"	4
116								
117								
118	71439G03						ROCKER PANEL (DRIVER SIDE) (ST 400)	1
119	71439G04						ROCKER PANEL (PASSENGER SIDE) (ST 400).....	1
120	71440G03						BRACE (DRIVER SIDE).....	1
121	71440G04						BRACE (PASSENGER SIDE)	1
122	00789G2						SCREW, #10 - 24 X 1 1/4" LG	4
123	23726G2						SPACER, 1/4"	4
124	00660G5						WASHER, #10 (STAINLESS STEEL).....	4

When ordering parts, please specify the model and serial number of the product.

* Indicates a component that is not available as an individual part.

*** Indicates consult Customer Service Department for additional information.

ITEM	PART NO.	1 2 3 4 5	DESCRIPTION	QTY.
125	14390G10		LOCK NUT, #10 - 24	4
126	71424G01		SPACER (DRIVER SIDE)	1
127	71424G02		SPACER (PASSENGER SIDE).....	1
128				
129	16705G1		SCREW, 1/4 - 20 X 1" LG (STAINLESS STEEL).....	4
130	23726G2		SPACER, 1/4"	4
131	00559G7		WASHER , 1/4"	4
132	14390G4		LOCK NUT, 1/4 - 20	4
133				
134				
135				
136	74893G01		FENDER (DRIVER SIDE) (ST 400).....	1
137	74893G02		FENDER (PASSENGER SIDE) (ST 400)	1
138				
139				
140	16816G2		RATCHET FASTENER, 1/4" X 3/4" LG.....	10
141				
142				
143				
144				
145				
146				
147				
148				
149				
150				
151				
152				
153				
154				
155	74890G01		REAR PANEL (ST 400).....	1

BODY

When ordering parts, please specify the model and serial number of the product.

* Indicates a component that is not available as an individual part.

*** Indicates consult Customer Service Department for additional information.

ITEM	PART NO.	1 2 3 4 5	DESCRIPTION	QTY.
156	71055G01		RIVET, 3/16" X 1" LG (ALUMINUM)	4
157				
158	74891G01		SEAT FILLER PANEL (DRIVER SIDE)	1
159	74891G02		SEAT FILLER PANEL (PASSENGER SIDE).....	1
160	10570G10		RIVET, 5/32" X 9/16" LG (STAINLESS STEEL)	6
161				
162				
163	74099G01		LABEL (TILT WARNING).....	2
164	620312		LABEL (E-Z-GO, LARGE)	2
165	620313		LABEL (E-Z-GO, MEDIUM).....	2
166	620323		LABEL (ST 400)	2
167	620325		LABEL (ST SPORT)	2
168	28915G01		LABEL (JACOBSEN HAULER) (DRIVER SIDE).....	1
169	28915-G02		LABEL (JACOBSEN HAULER) (PASSENGER SIDE)	1
170	620214		LABEL (4000).....	2
171	605694		SEAT FRAME (ST SPORT)	1
172	00715G2		BOLT, 5/16 - 18 X 4/5" LG	2
173				
174				
175				
176				
177				
178				
179				
180				
181				
182	71502G01		ROCKER PANEL (DRIVER SIDE) (ST SPORT).....	1
183	71501G01		ROCKER PANEL (PASSENGER SIDE) (ST SPORT)	1
184	15058G6		RIVET, 3/16" X 15/16" LG (ALUMINUM)	4
185	16705G1		SCREW, 1/4 - 20 X 1" LG (STAINLESS STEEL)	4
186	23726G4		SPACER, 5/16"	4

When ordering parts, please specify the model and serial number of the product.

* Indicates a component that is not available as an individual part.

*** Indicates consult Customer Service Department for additional information.

ITEM	PART NO.	1 2 3 4 5	DESCRIPTION	QTY.
187	14390G4		LOCK NUT, 1/4 - 20	4
188	71507G02		SILL PLATE (DRIVER SIDE)	1
189	71507G01		SILL PLATE (PASSENGER SIDE).....	1
190				
191				
192	74892G01		FENDER (DRIVER SIDE) (ST SPORT).....	1
193	74892G02		FENDER (PASSENGER SIDE) (ST SPORT)	1
194	74892G03		FENDER WITH TAILLIGHT (DRIVER SIDE) (ST SPORT)	1
195	74892G04		FENDER WITH TAILLIGHT (PASSENGER SIDE) (ST SPORT).....	1
196	16816G2		RATCHET FASTENER, 1/4" X 3/4" LG.....	10
197	14390G4		LOCK NUT, 1/4 - 20	4
198	00642G7		WASHER, 1/4"	8
199	00414G6		BOLT, 1/4 - 20 X 3/4" LG.....	4
200				
201				
202				
203				
204				
205				
206				
207				
208	74890G01		REAR PANEL (ST SPORT)	1
209	16816G2		RATCHET FASTENER, 1/4" X 3/4" LG.....	8
210				
211				
212	27731G01		ASH TRAY	1
213	27736G01		GASKET.....	1
214	75108G02		BRACKET	1
215	00100G4		SCREW, #10 - 16 X 1/2" LG	4
216				
217	74365G01		GUN HOLDER.....	1

BODY

When ordering parts, please specify the model and serial number of the product.

* Indicates a component that is not available as an individual part.

*** Indicates consult Customer Service Department for additional information.

ITEM	PART NO.	1 2 3 4 5	DESCRIPTION	QTY.
218	74348G02		HITCH RECEIVER	1
219	00198G8		BOLT, 5/16 - 18 X 1" LG	1
220	00559G8		WASHER, 5/16"	1
221	11098G6		LOCK NUT, 5/16 - 18 (STAINLESS STEEL)	1
222	00463G4		BOLT, 7/16 - 14 X 1 1/2" LG	4
223	00922G3		WASHER, 7/16"	4
224	00734G1		LOCK NUT, 7/16 - 14	4
225				
226				
227				
228	74339G02		ANGLE HITCH	1
229	21317G01		CLEVIS PIN, 5/8" X 3" LG	1
230	21683G1		COTTER PIN, 15/32" X 2 11/16" LG	1
231	74351G02		HEAVY DUTY HITCH	1
232	31757G1		HITCH BALL, 1 7/8"	1
233	00566G6		LOCK WASHER, 3/4"	1
234	00702G11		NUT, 3/4 - 16	1
235	21317G01		CLEVIS PIN, 5/8" X 3" LG	1
236	21683G1		COTTER PIN, 15/32" X 2 11/16" LG	1
237	74489G02		DROP ANGLE HITCH	1
238	21317G01		CLEVIS PIN, 5/8" X 2 11/16" LG	1
239	21683G1		COTTER PIN, 15/32" X 2 11/16" LG	1
240	74491G02		DROP BALL HITCH	1
241	21317G01		CLEVIS PIN, 5/8" X 3" LG	1
242	21683G1		COTTER PIN, 15/32" X 2 11/16" LG	1
243	31757G1		HITCH BALL, 1 7/8"	1
244	00566G6		LOCK WASHER, 3/4"	1
245	00702G11		NUT, 3/4 - 16	1
246	74495G02		DROP CLEVIS HITCH	1
247	21317G01		CLEVIS PIN, 5/8" X 3" LG	1
248	21683G1		COTTER PIN, 15/32" X 2 11/16" LG	1

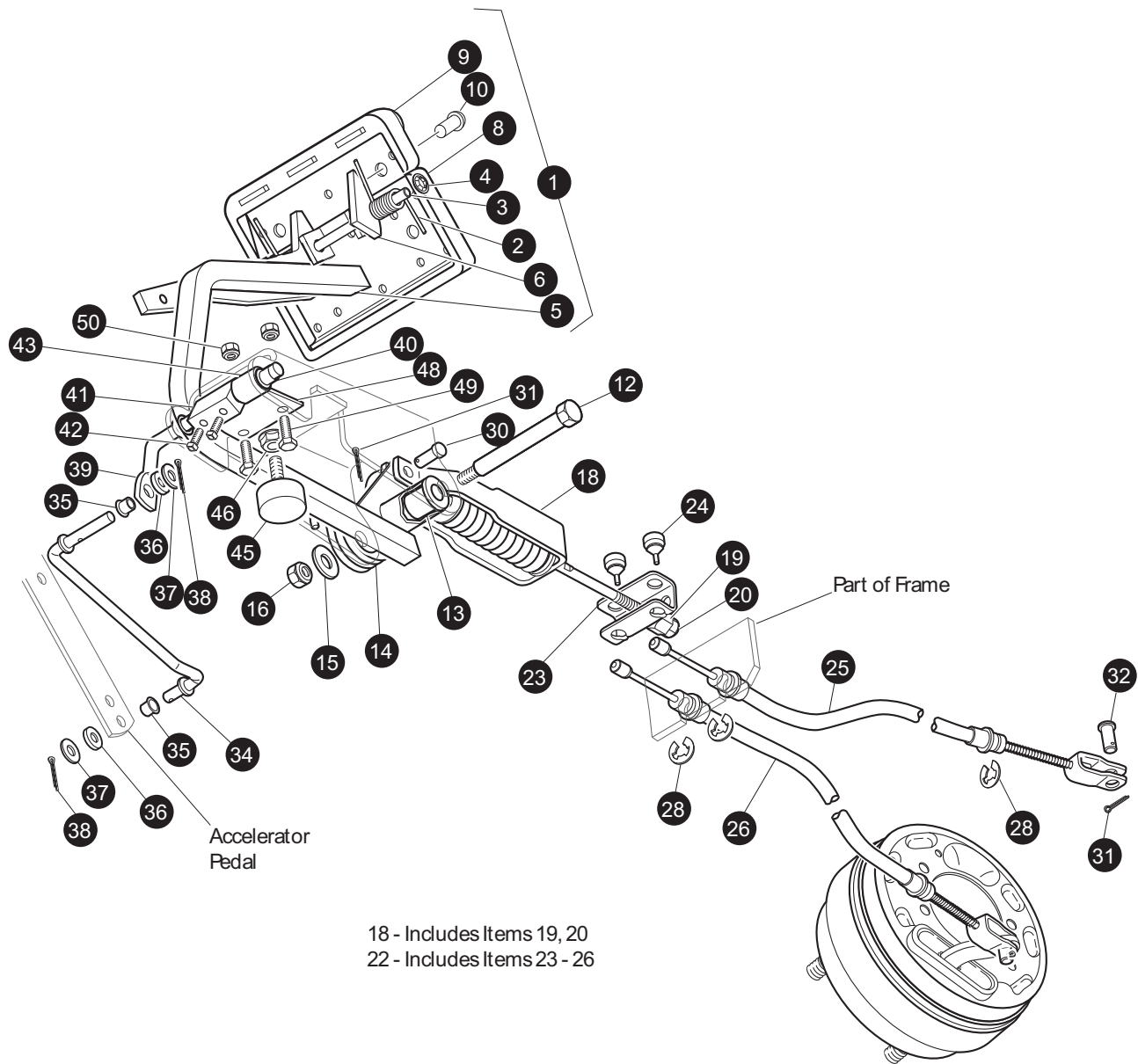
When ordering parts, please specify the model and serial number of the product.

* Indicates a component that is not available as an individual part.

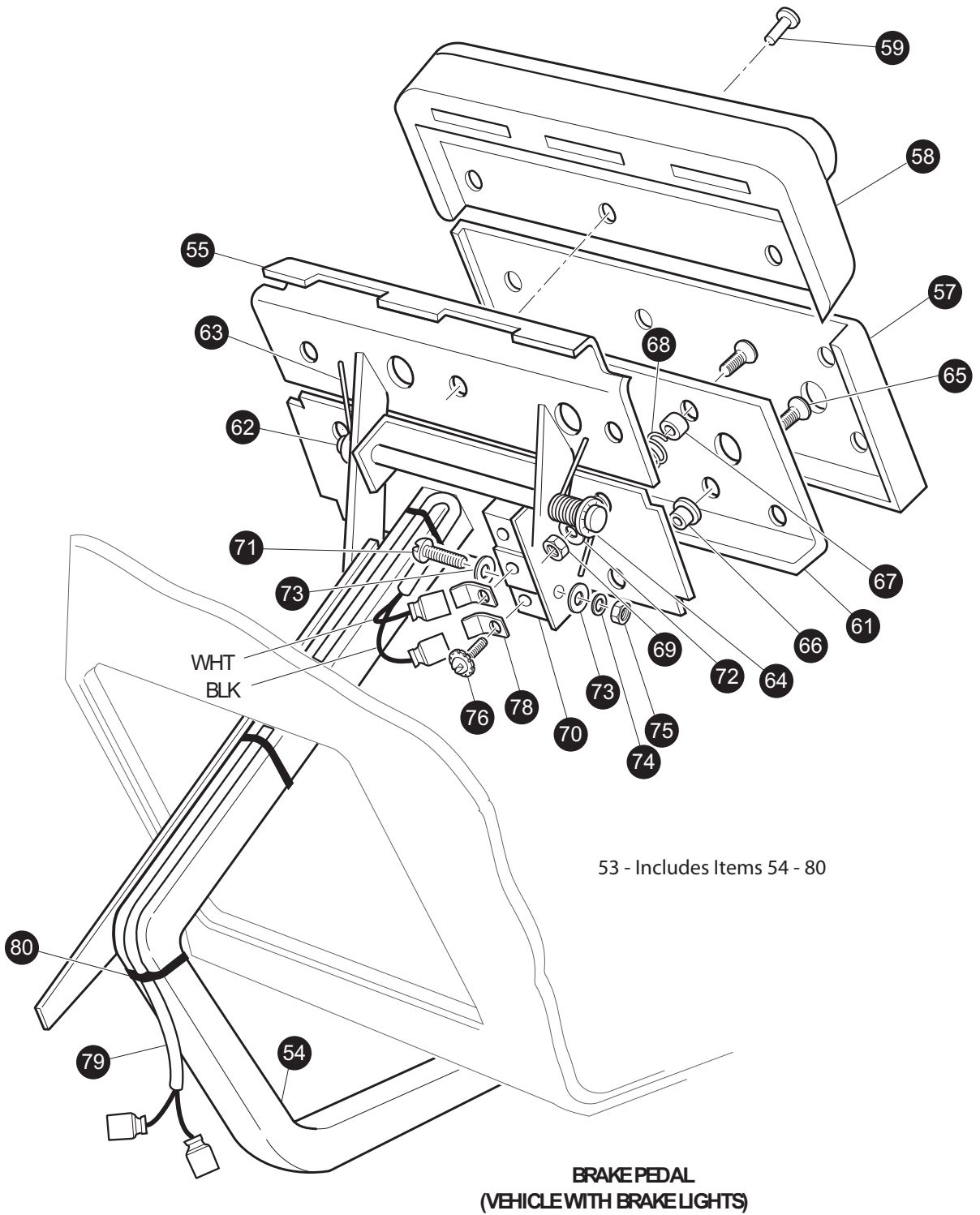
*** Indicates consult Customer Service Department for additional information.

ITEM	PART NO.	1 2 3 4 5	DESCRIPTION	QTY.
249	14443G7		CLEVIS PIN, 1/2" X 2 1/2" LG.....	1
250	19314G1		COTTER PIN, 2 1/2" LG	1
251				
252				
253	74338G02		CLEVIS HITCH	1
254	14443G7		CLEVIS PIN, 1/2" X 2 1/2" LG.....	1
255	19314G1		COTTER PIN, 2 1/2" LG	1
256	21317G01		CLEVIS PIN, 5/8" X 3" LG.....	1
257	21683G1		COTTER PIN, 15/32" X 2 11/16" LG.....	1

BRAKES

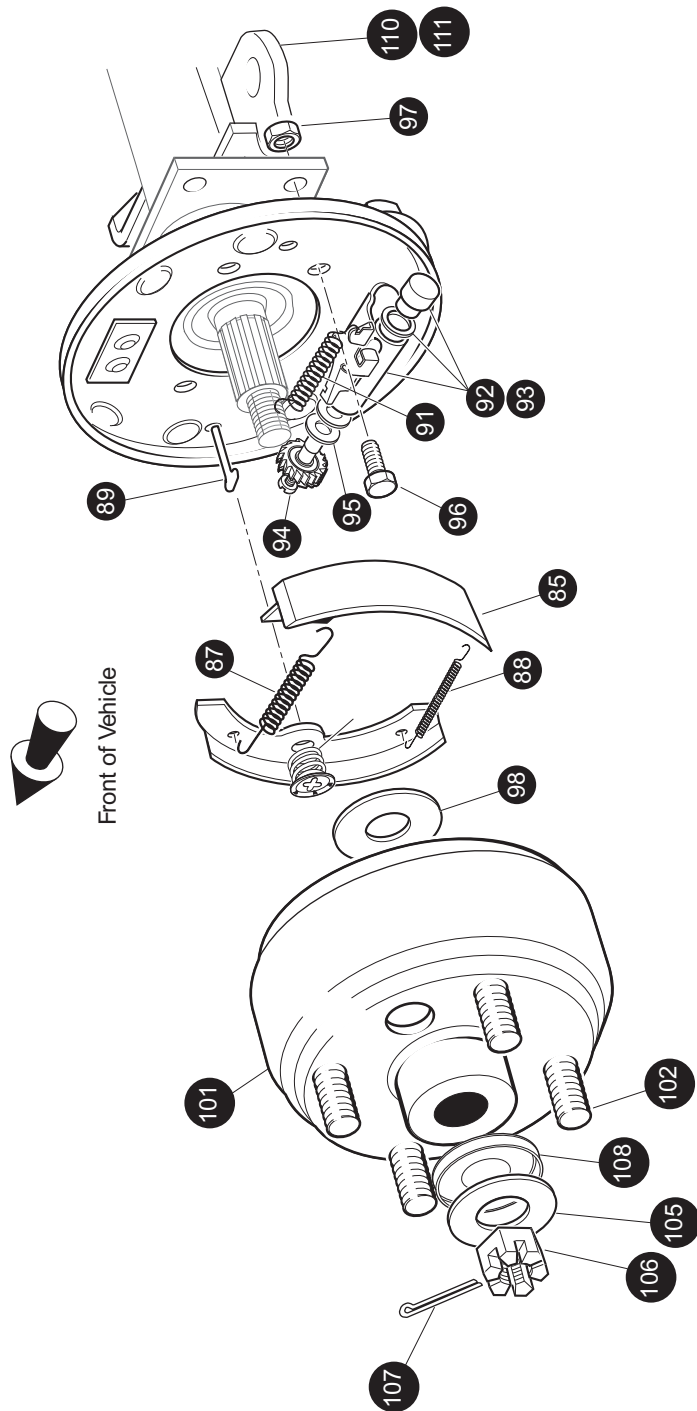


Ref Brk 6-1



Ref Brk 6-2

BRAKES



- 82 - Includes Items 84 - 92
- 83 - Includes Items 84 - 93
- 84 - Includes Items 85
- 86 - Includes Items 87 - 91
- 92 - Includes Items 94, 95
- 93 - Includes Items 94, 95
- 100 - Includes Items 101, 102

Ref Brk 6-3

When ordering parts, please specify the model and serial number of the product.

* Indicates a component that is not available as an individual part.

*** Indicates consult Customer Service Department for additional information.

ITEM	PART NO.	1 2 3 4 5	DESCRIPTION	QTY.
1	70612G02		BRAKE PEDAL ASSEMBLY (WITHOUT BRAKE LIGHTS) (INCLUDES ITEMS 2 - 10)	1
2	70681G01		TORSION SPRING.....	2
3	70682G01		PIVOT PIN.....	1
4	01071G01		PUSHNUT, 5/16"	1
5	70259G02		BRAKE PEDAL.....	1
6	70611G02		PARK BRAKE PEDAL	1
7				
8	70257G01		SERVICE BRAKE PAD.....	1
9	70256G01		PARK BRAKE PEDAL PAD	1
10	16409G1		OVAL RIVET, 3/16" X 3/8" LG	9
11				
12	70582G01		SHOULDER BOLT, 3/8 - 16 X 4" LG.....	1
13	70581G01		FLANGED BUSHING	2
14	70676G01		TORSION SPRING	1
15	00643G1		WASHER, 3/8"	1
16	11098G5		LOCK NUT, 3/8 - 16	1
17				
18	70272G04		COMPENSATOR ASSEMBLY (INCLUDES ITEMS 19, 20).....	1
19	00963G01		SPHERICAL NUT, 5/16 - 24	1
20	11098G9		LOCK NUT, 5/16 - 24.....	1
21				
22	70969G03		EQUALIZER AND BRAKE CABLE ASSEMBLY (INCLUDES ITEMS 23 - 26)	1
23	28082G01		EQUALIZER BRACKET	1
24	28083G01		BRAKE COMPENSATOR BUMPER	2
25	*		BRAKE CABLE (DRIVER SIDE)	1
26	*		BRAKE CABLE (PASSENGER SIDE).....	1
27				
28	01111G01		RETAINING RING, S.S.	4
29				
30	10386G3		CLEVIS PIN, 5/16" X 1" LG.....	3

BRAKES

When ordering parts, please specify the model and serial number of the product.

* Indicates a component that is not available as an individual part.

*** Indicates consult Customer Service Department for additional information.

ITEM	PART NO.	1 2 3 4 5	DESCRIPTION	QTY.
31	10387G3		COTTER PIN, 3/32" X 3/4" LG	3
32	14443G2		CLEVIS PIN, 5/16" X 3/4" LG	2
33				
34	70601G01		KICK-OFF LINK.....	1
35	17838G1		NYLON BUSHING.....	2
36	20835G1		TEFLON WASHER, 3/8"	2
37	00559G8		WASHER, 5/16".....	2
38	10387G3		COTTER PIN, 3/32" X 3/4" LG	2
39	70098G01		KICK-OFF CAM PIVOT	1
40	10097G6		FLANGED BEARING	2
41	70587G01		KICK-OFF CAM.....	1
42	71215G01		SETSCREW, 1/4 - 20 X 1/2" LG.....	2
43	14134G4		SPACER	1
44				
45	70113G01		ADJUSTABLE BUMPER	1
46	11027G1		LOCK NUT, 5/16 - 18.....	1
47				
48	70080G02		CATCH BRACKET	1
49	00414G6		BOLT, 1/4 - 20 X 3/4" LG	2
50	14390G4		LOCK NUT, 1/4 - 20.....	2
51				
52				
53	70690G02		BRAKE PEDAL ASSEMBLY (WITH BRAKE LIGHTS) (INCLUDES ITEMS 54 - 80).....	1
54	70686G02		BRAKE PEDAL	1
55	70611G02		PARK BRAKE PEDAL.....	1
56				
57	70257G01		SERVICE BRAKE PAD	1
58	70256G01		PARK BRAKE PAD	1
59	16409G1		OVAL RIVET, 3/16" x 3/8" LG	9
60				
61	70258G03		BRAKE PEDAL PLATE	1

When ordering parts, please specify the model and serial number of the product.

* Indicates a component that is not available as an individual part.

*** Indicates consult Customer Service Department for additional information.

ITEM	PART NO.	1 2 3 4 5	DESCRIPTION	QTY.
62	70682G01		PIVOT PIN.....	1
63	70681G01		TORSION SPRING.....	2
64	01071G01		PUSHNUT, 5/16"	1
65	00737G8		SCREW, #10 - 24 X 1" LG	4
66	00739G1		RUBBER NUT, #10 - 24	2
67	74535G01		BRAKE PEDAL STANDOFF.....	2
68	27137G01		CONICAL SPRING.....	2
69	14390G10		LOCK NUT, #10 - 24.....	2
70	10606G8		MICRO SWITCH	1
71	00957G1		SCREW, #6 - 32 X 1 1/4" LG	2
72	00559G5		WASHER, #10	2
73	00559G3		WASHER, #6	4
74	00565G3		LOCK WASHER, #6	2
75	00525G5		NUT, #6 - 32	2
76	13514G1		SCREW AND LOCK WASHER, #6	2
77				
78	14628G1		FASTON TAB.....	2
79	24605G1		WIRE HARNESS (BRAKE LIGHT).....	1
80	17618G1		WIRE TIE.....	2
81				
82	70998G01		BRAKE ASSEMBLY (DRIVER SIDE) (INCLUDES ITEMS 84 - 92).....	1
83	70998G02		BRAKE ASSEMBLY (PASSENGER SIDE) (INCL. ITEMS 84 - 91, 93).....	1
84	70794G01		BRAKE SHOE KIT (INCLUDES ITEM 85)	2
85	*		BRAKE SHOE.....	2
86	27944G01		BRAKE SPRING KIT (INCLUDES ITEMS 87 - 91)	2
87	*		UPPER SPRING	1
88	*		LOWER SPRING	1
89	*		PIN	2
90	*		CUP AND SPRING	2
91	*		ADJUSTER SPRING	1
92	72582G01		BRAKE ADJUSTER KIT (DRIVER SIDE) (INCLUDES ITEMS 94, 95)....	1

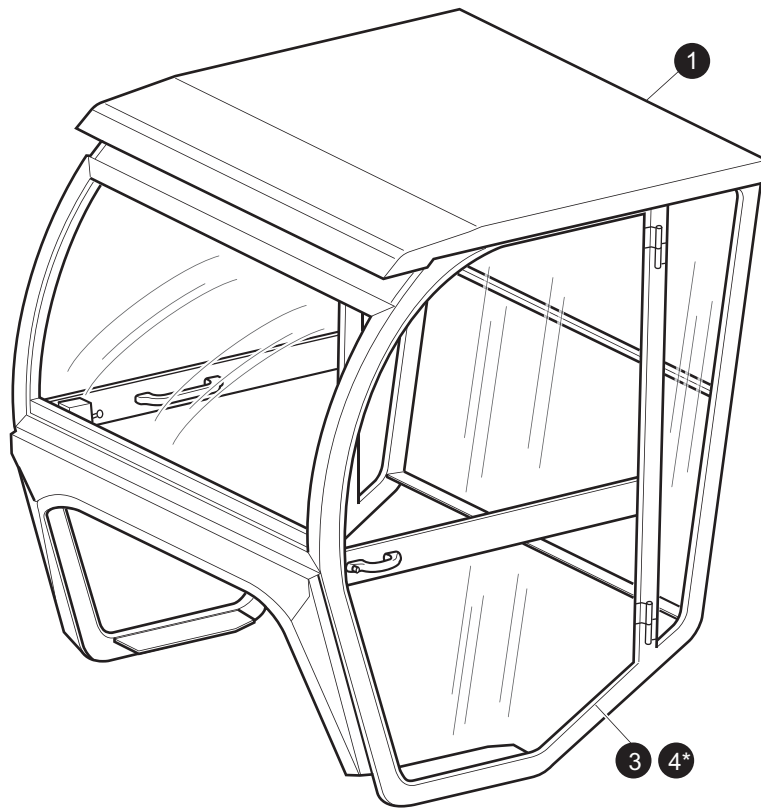
BRAKES

When ordering parts, please specify the model and serial number of the product.

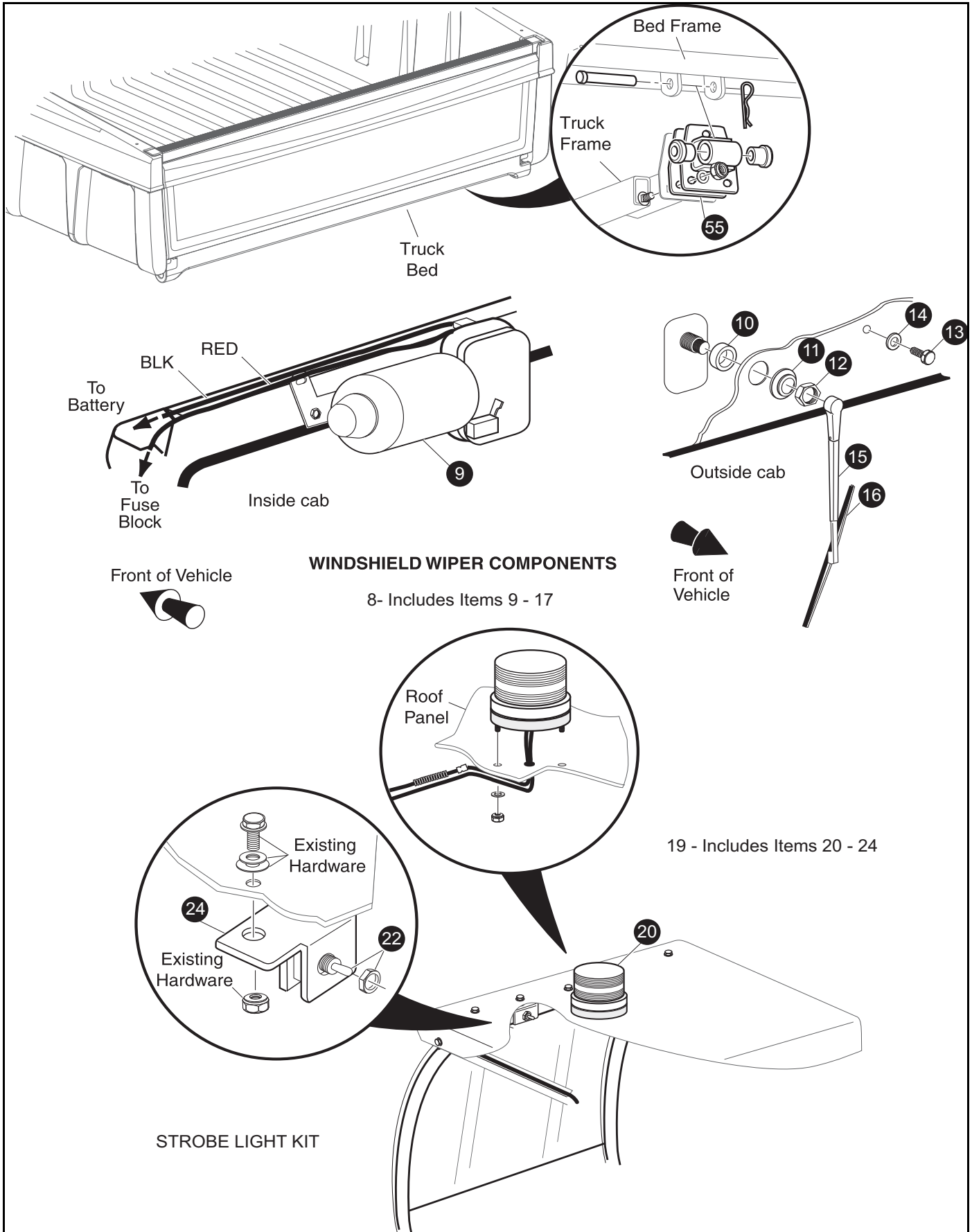
* Indicates a component that is not available as an individual part.

*** Indicates consult Customer Service Department for additional information.

ITEM	PART NO.	1	2	3	4	5	DESCRIPTION	QTY.
93	72582G02						BRAKE ADJUSTER KIT (PASSENGER SIDE) (INCL ITEMS 94, 95).....	1
94	*						ADJUSTER.....	1
95	*						TEFLON WASHER.....	2
96	17083G2						BOLT, 5/16 - 24 X 1" LG	8
97	15126G1						LOCK NUT, 5/16 - 24.....	8
98	21809G1						INNER BRAKE DRUM WASHER, 1 5/16" OD X 1" ID X 1/32"	2
99								
100	21807G2						BRAKE DRUM ASSEMBLY (INCLUDES ITEMS 101 - 102).....	2
101	*						BRAKE DRUM	1
102	19862G1						LUG BOLT, 1/2 - 20.....	4
103								
104	24939G2						SPINDLE CAP ADAPTER.....	2
105	606945						OUTER BRAKE DRUM WASHER	2
106	606403						SLOTTED NUT, 3/4 - 16.....	2
107	10387G1						COTTER PIN, 1/8" X 1 1/2" LG	2
108	607033						SPINDLE CAP.....	2
109								
110	608200						BRAKE CABLE BRACKET (PASSENGER SIDE).....	1
111	608201						BRAKE CABLE BRACKET (DRIVER SIDE)	1



*Steel Doors Shown



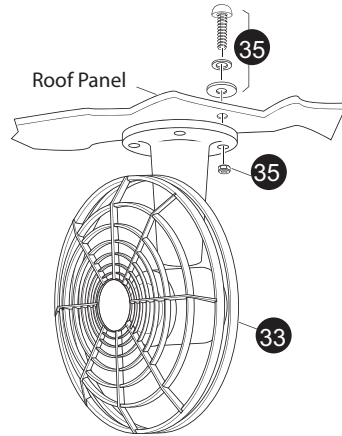
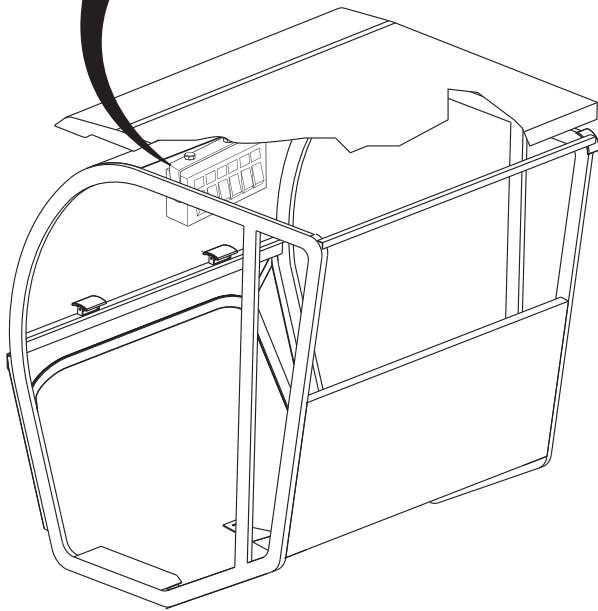
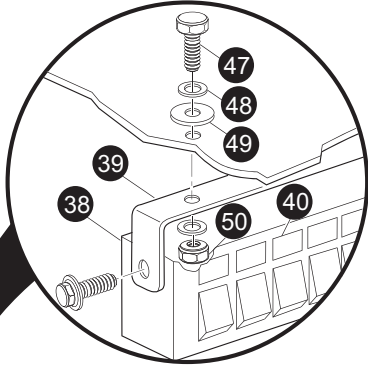
WINDSHIELD WIPER COMPONENTS

8- Includes Items 9 - 17

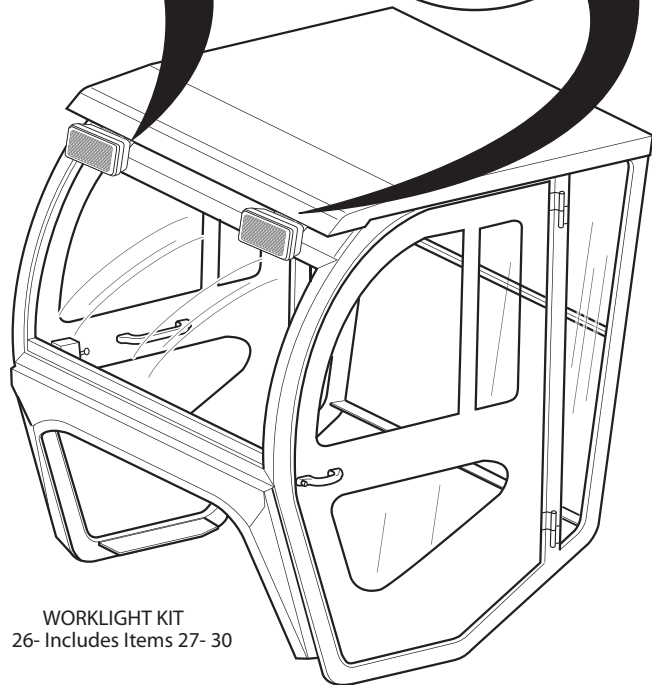
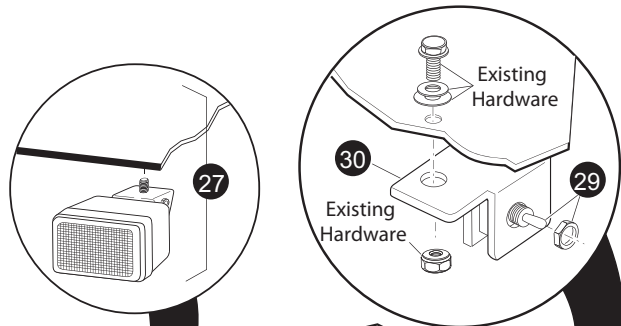
19 - Includes Items 20 - 24

STROBE LIGHT KIT

SWITCH PANEL KIT
37 - Includes Items 38 - 52



DEFROSTER / COOLING FAN KIT
32 - Includes Items 33- 35



WORKLIGHT KIT
26 - Includes Items 27- 30

When ordering parts, please specify the model and serial number of the product.

* Indicates a component that is not available as an individual part.

*** Indicates consult Customer Service Department for additional information.

ITEM	PART NO.	1 2 3 4 5	DESCRIPTION	QTY.
1	72684G**		STEEL CAB (WITHOUT DOORS) REPACEMENT PARTS AND ACCESSORIES MAY BE OBTAINED FROM CURTIS CAB, INC.) (ST 350).	1
2				
3	75855G01		VINYL DOOR KIT	1
4	75856G**		STEEL DOOR KIT	1
5				
6				
7				
8	74244G01		WINDSHIELD WIPER KIT (INCLUDES ITEMS 9 -17)	1
9	9PWM85		WIPER MOTOR (INCLUDES ITEMS 10 - 14).....	1
10	*		SPACER.....	1
11	*		SHAFT COVER (SEAL)	1
12	*		NUT	1
13	*		BOLT	1
14	*		WASHER	1
15	9PWA		WIPER ARM.....	1
16	9PWB		WINDSHIELD WIPER BLADE	1
17	9E003		ELECTRICAL HARDWARE KIT (NOT ILLUSTRATED).....	1
18				
19	74245G01		STROBE LIGHT KIT (INCLUDES ITEMS 20 - 24)	1
20	9PSLRL		STROBE LENS	1
21	9E001		ELECTRICAL HARDWARE KIT (NOT ILLUSTRATED).....	1
22	9E002		TOGGLE SWITCH.....	1
23	9PSLRB		REPLACEMENT BULB (NOT ILLUSTRATED)	1
24	9PB001		BRACKET.....	1
25				
26	74247G01		WORK LIGHT KIT (INCLUDES ITEMS 27 - 30)	1
27	9LW1A		WORK LIGHT (INCLUDES HARDWARE)	2
28	9E001		ELECTRICAL HARDWARE KIT (NOT ILLUSTRATED).....	1
29	9E002		TOGGLE SWITCH.....	1
30	9PB001		BRACKET.....	1

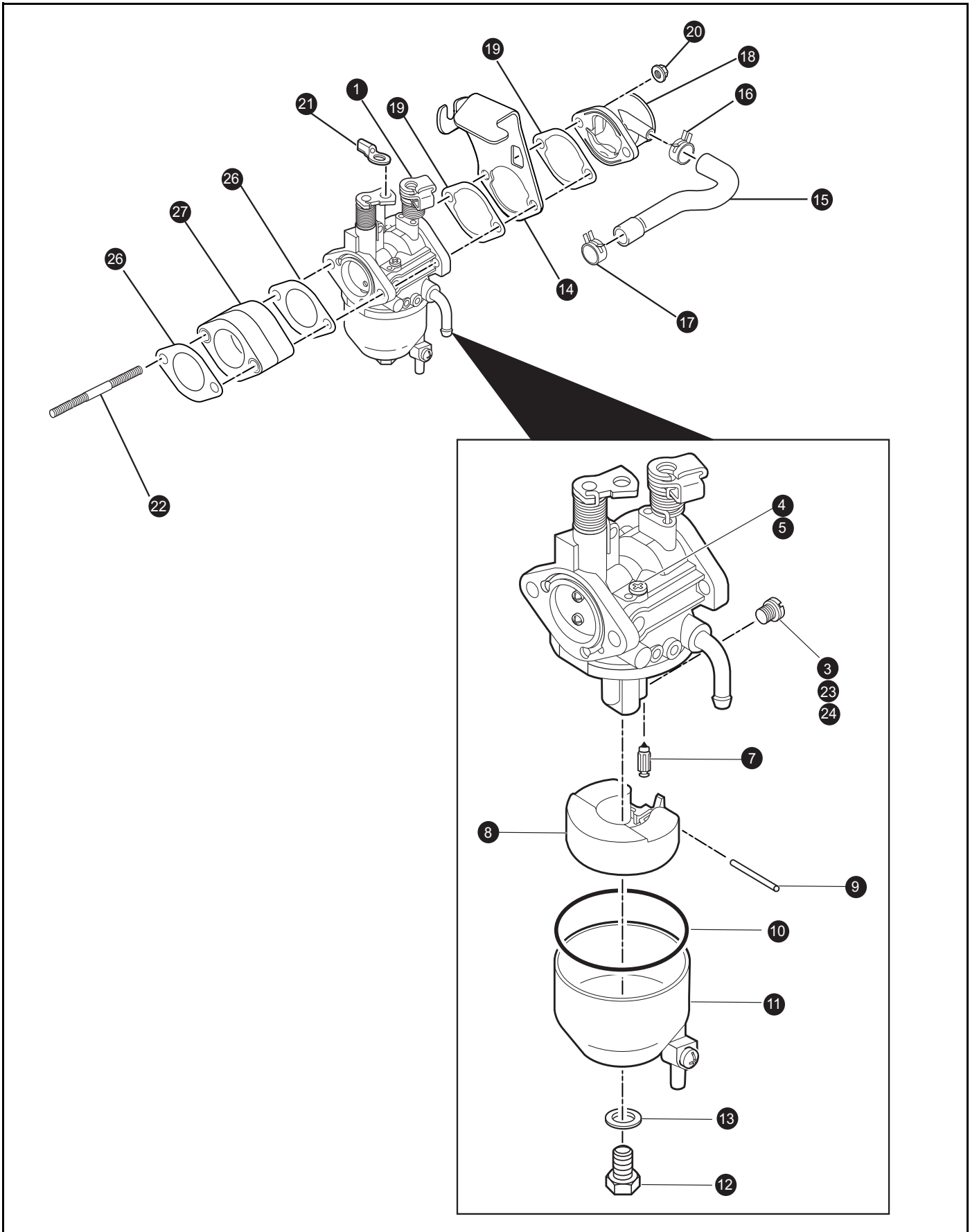
When ordering parts, please specify the model and serial number of the product.

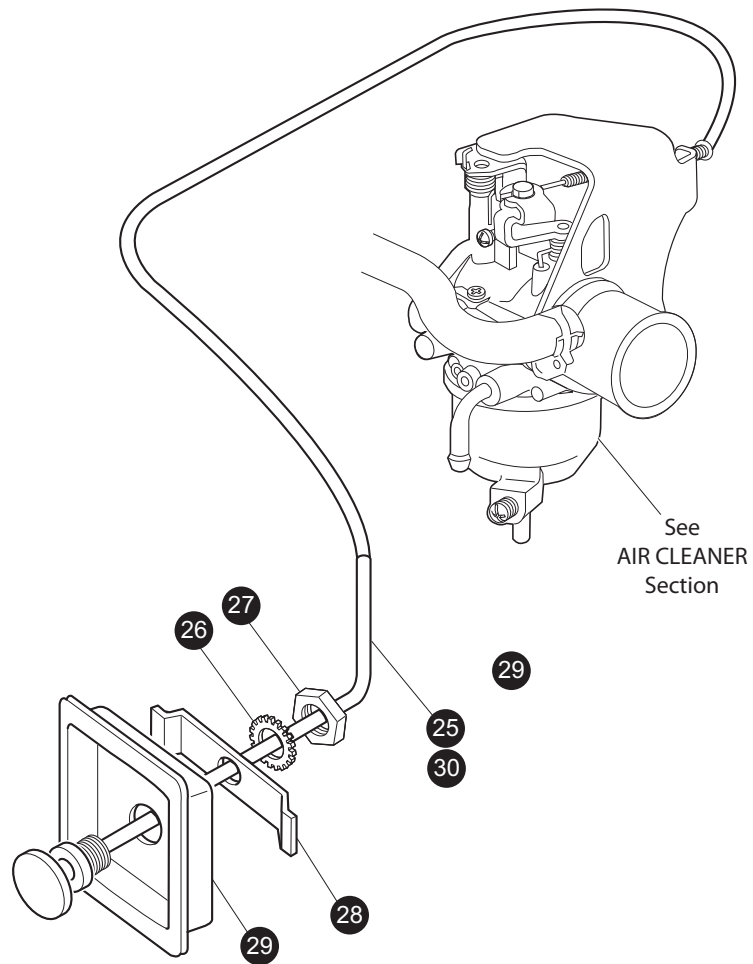
* Indicates a component that is not available as an individual part.

*** Indicates consult Customer Service Department for additional information.

ITEM	PART NO.	1	2	3	4	5	DESCRIPTION	QTY.
31								
32	74248G01						DEFROSTER / COOLING FAN KIT (INCLUDES ITEMS 33 - 35)	1
33	9PDF						FAN	1
34	9E001						ELECTRICAL HARDWARE KIT (NOT ILLUSTRATED)	1
35	9PFHK						HARDWARE KIT.....	1
36								
37	74250G01						SWITCH PANEL KIT (INCLUDES ITEMS 38 - 52)	1
38	9PSF1-001						SWITCH PANEL	1
39	9PSF1-002						MOUNTING BRACKET AND HARDWARE	1
40	9PSF1-003						ADHESIVE LABELS	1
41	9PSF1-004						3 AMP FUSE (NOT ILLUSTRATED).....	2
42	9PSF1-005						5 AMP FUSE (NOT ILLUSTRATED).....	3
43	9PSF1-006						7.5 AMP FUSE (NOT ILLUSTRATED).....	1
44	9PSF1-007						FLEX LOOM, 5/8" X 10 FT LG (NOT ILLUSTRATED).....	1
45	9PSF1-008						4-WAY BASE TIE (NOT ILLUSTRATED).....	6
46	9PSF1-009						WIRE TIE (NOT ILLUSTRATED)	14
47	9PSF1-010						BOLT, 1/4 - 20 X 7/8" LG.....	2
48	9PSF1-011						WASHER, 1/4"	4
49	9PSF1-012						NYLON WASHER, 1/4".....	2
50	9PSF1-013						LOCK NUT, 1/4 - 20	2
51	9PSF1-014						10 GA WIRE (RED 8") (NOT ILLUSTRATED)	1
52	9PSF1-015						10 GA WIRE (BLACK 8") (NOT ILLUSTRATED).....	1
53								
54								
55	6E03T						BED SPACER.....	2
56								

CARBURETOR AND CHOKE





Ref Cac 2-2

CARBURETOR AND CHOKE

When ordering parts, please specify the model and serial number of the product.

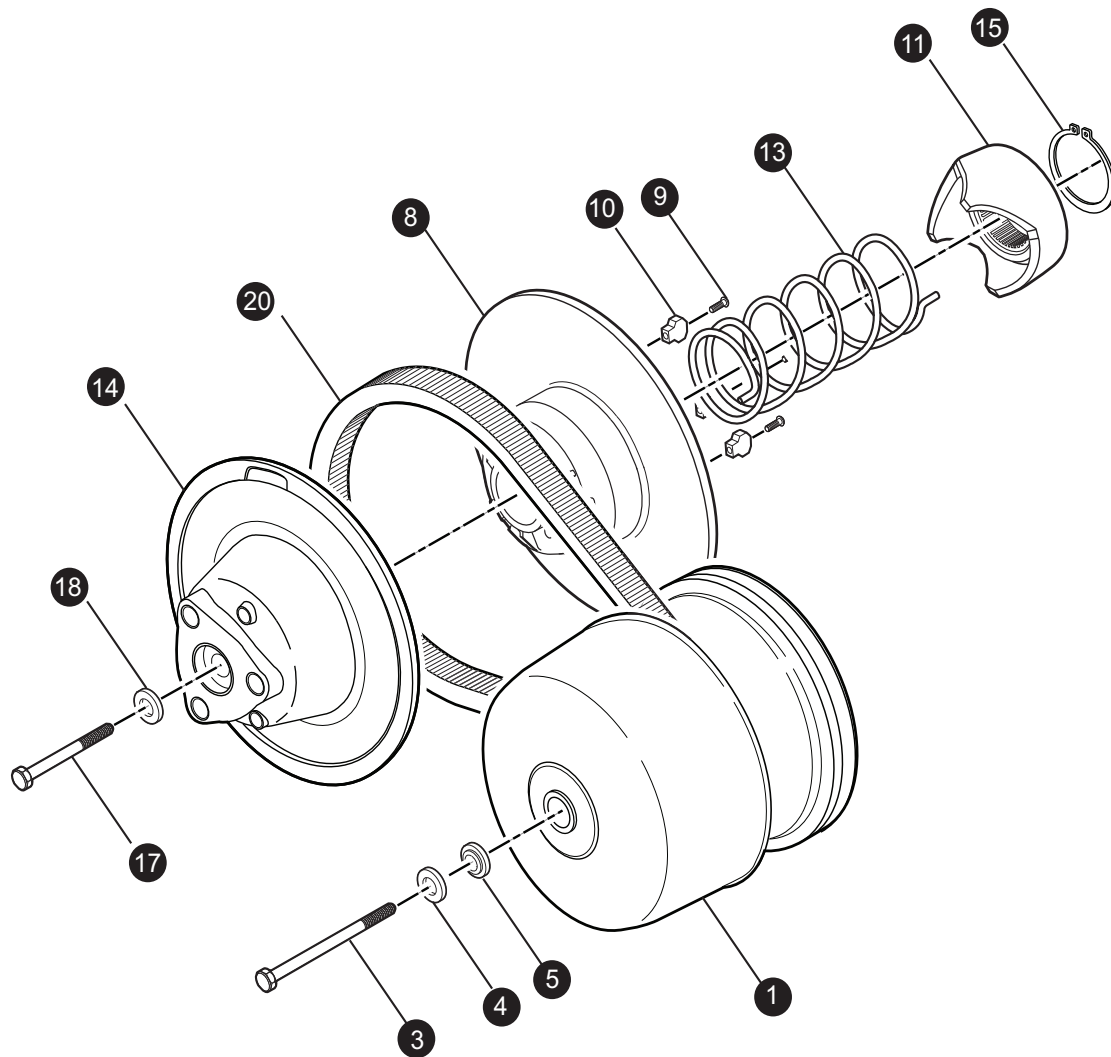
* Indicates a component that is not available as an individual part.

*** Indicates consult Customer Service Department for additional information.

ITEM	PART NO.	1	2	3	4	5	DESCRIPTION	QTY.
1	607955						CARBURETOR (INCLUDES ITEMS 3 - 22).....	1
2								
3	607956						MAIN JET (#106)	1
4	607957						PILOT JET (#52)	1
5	603585						PLUG	1
6								
7	603586						NEEDLE VALVE.....	1
8	603587						FLOAT.....	1
9	603588						FLOAT PIN.....	1
10	603589						FLOAT BOWL GASKET.....	1
11	603590						FLOAT CHAMBER.....	1
12	603592						BOWL SCREW	1
13	603591						BOWL GASKET	1
14	603583						CHOKE BRACKET	1
15	603598						BREATHER TUBE	1
16	603596						CLAMP, INTAKE TUBE.....	1
17	603597						CLAMP CYLINDER HEAD TUBE	1
18	603594						INTAKE TUBE	1
19	603593						CHOKE GASKET.....	2
20	603595						NUT, M6 X 1.0.....	2
21	608023						THROTTLE ROD ATTACHMENT BUSHING.....	1
22	603584						STUD BOLT	2
23	607684						MAIN JET (#102) (FOR ELEVATIONS OF 6000 FT - 10000 FT).....	1
24	607683						MAIN JET (#104) (FOR ELEVATIONS OF 3000 FT - 6000 FT).....	1
25	605868						CHOKE CABLE (SWB)	1
26	00568G4						LOCK WASHER, 9/16"	1
27	00545G4						JAM NUT, 9/16 - 18	1
28	72155G02						RETAINER.....	1
29	72154G01						CHOKE CABLE ADAPTER	1
30	605793						CHOKE CABLE (MWB).....	1

CLUTCH

7 - Includes items 8 to 15



When ordering parts, please specify the model and serial number of the product.

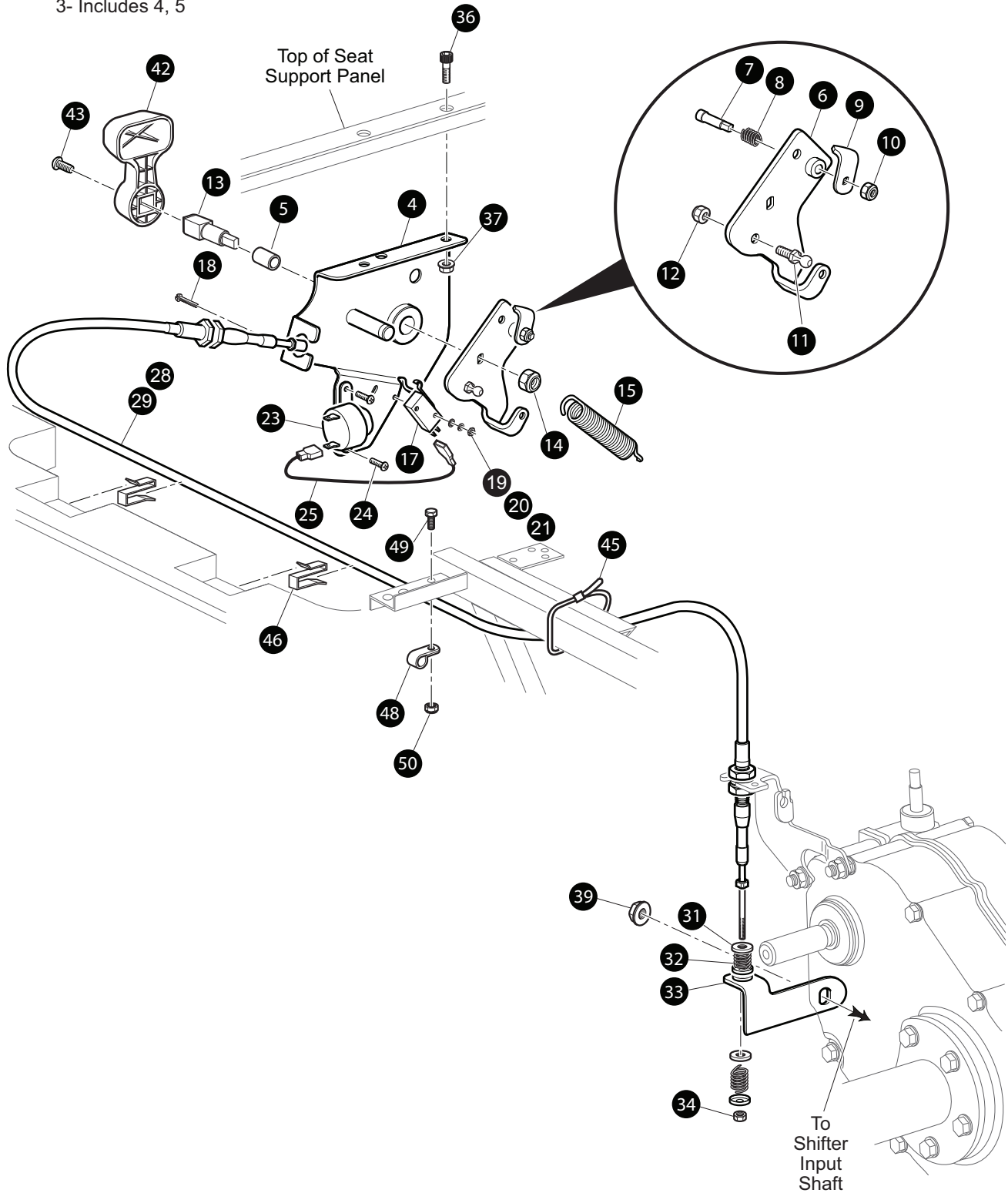
* Indicates a component that is not available as an individual part.

*** Indicates consult Customer Service Department for additional information.

ITEM	PART NO.	1 2 3 4 5	DESCRIPTION	QTY.
1	602000		DRIVE CLUTCH	1
2				
3	606245		BOLT, M12 - 1.25 X 160MM LG	1
4	606239		WASHER, M12	1
5	606230		WASHER	1
6				
7	602001		DRIVEN CLUTCH ASSEMBLY (INCLUDES ITEMS 8 - 15).....	1
8	*		MOVABLE SHEAVE	1
9	608210		SCREW, M4 X 25.....	3
10	608204		RAMP BUTTON	3
11	*		CAM.....	1
12				
13	608209		COMPRESSION SPRING	1
14	*		SHEAVE AND POST	1
15	608211		HEAVY DUTY RETAINING RING.....	1
16				
17	606243		BOLT, M12 - 1.25 X 120MM LG	1
18	606239		WASHER, M12	1
19				
20	606136		DRIVE BELT	1

DIRECTION SELECTOR

- 1 - Includes Items 3 - 28, 31 - 34 (ST 350)
- 2 - Includes Items 3 - 25, 29 - 34 (ST SPORT)
- 3- Includes 4, 5



Ref Dsl 9

DIRECTION SELECTOR

When ordering parts, please specify the model and serial number of the product.

* Indicates a component that is not available as an individual part.

*** Indicates consult Customer Service Department for additional information.

ITEM	PART NO.	1 2 3 4 5	DESCRIPTION	QTY.
1	72721-G06		DIRECTION SELECTOR ASSY (INCLUDES ITEMS 3 - 28, 31 - 34) (ST 350)	1
2	72721-G05		DIRECTION SELECTOR ASSY (INCLUDES ITEMS 3 - 25, 29 - 34) (SPORT)	1
3	74456-G02		DIRECTION SELECTOR BRACKET (INCLUDES ITEMS 4, 5)	1
4	72737-G02		WELDMENT	1
5	25664-G2		BUSHING	1
6	72738-G01		DIRECTION SELECTOR CAM.....	1
7	72724-G01		NEUTRAL LOCK PIN	1
8	72733-G01		COMPRESSION SPRING, 3/8" X 5/8" LG	1
9	72729-G01		NEUTRAL LOCK LATCH.....	1
10	00734-G2		LOCK NUT, 1/4 - 28.....	1
11	72732-G01		BALL STUD	1
12	00734-G5		LOCK NUT, #10 - 32.....	1
13	70233-G01		DIRECTION SELECTOR SHAFT.....	1
14	14390-G1		LOCK NUT, 3/8 - 24.....	1
15	28574-G01		EXTENSION SPRING	1
16				
17	72736-G01		MICRO SWITCH	1
18	01062-G01		SCREW, #4 - 40 X 1" LG.....	2
19	00559-G1		WASHER, #4	2
20	00565-G1		LOCK WASHER, #4	2
21	00526-G2		NUT, #4 - 40	2
22				
23	73290-G03		REVERSE WARNING BUZZER.....	1
24	01063-G01		SCREW, #6 - 32 X 3/8" LG.....	2
25	25978-G345		18 GA WIRE (RED 7").....	1
26				
27				
28	72734-G03		SHIFTER CABLE (ST 350)	1
29	602891		SHIFTER CABLE (ST SPORT)	1
30				
31	25727-G01		CUP WASHER, 1/4"	4

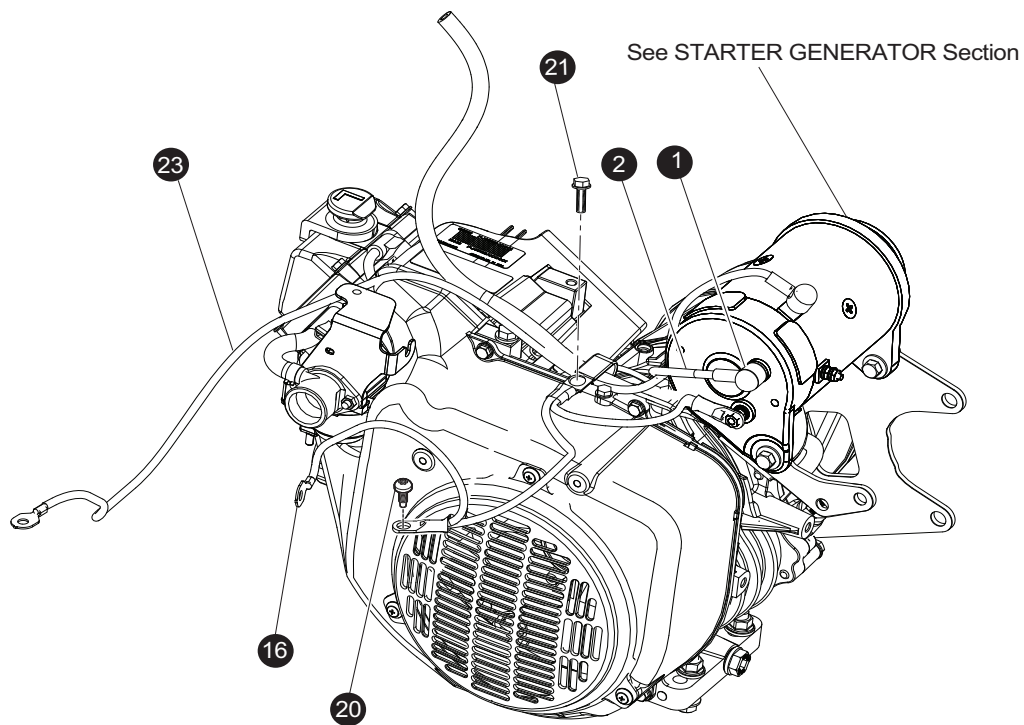
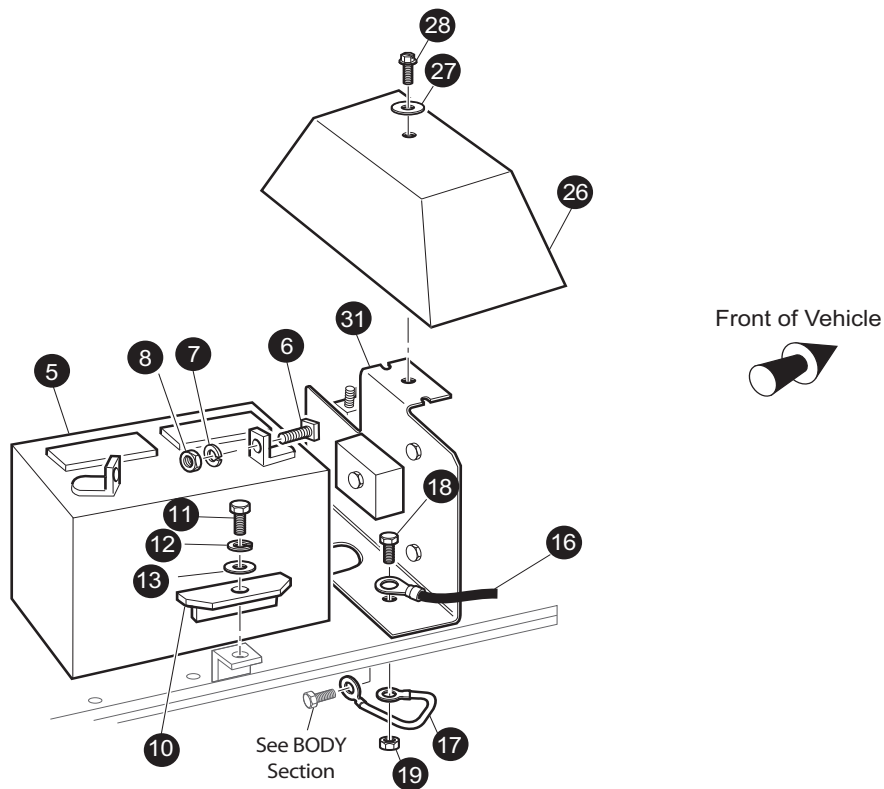
DIRECTION SELECTOR

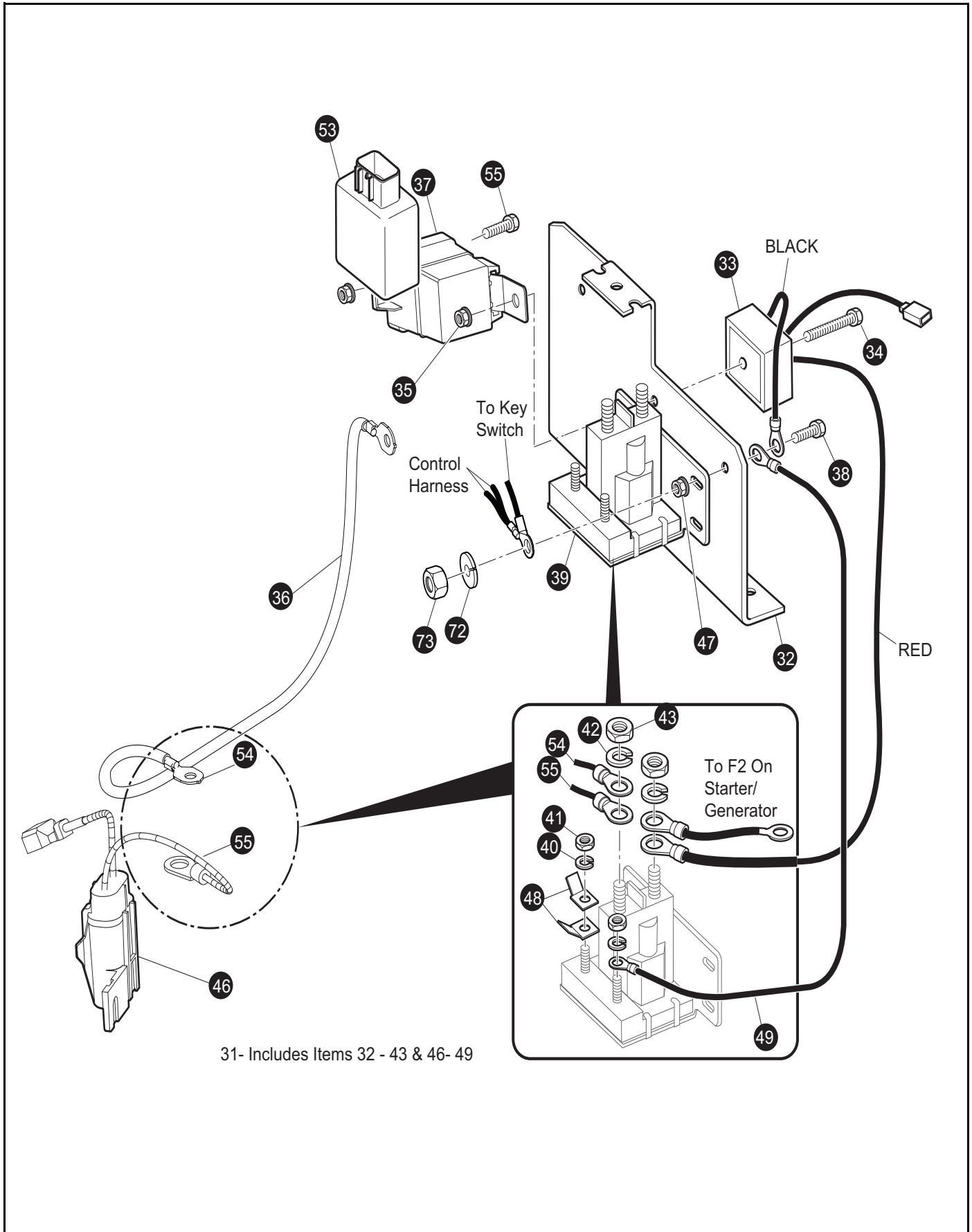
When ordering parts, please specify the model and serial number of the product.

* Indicates a component that is not available as an individual part.

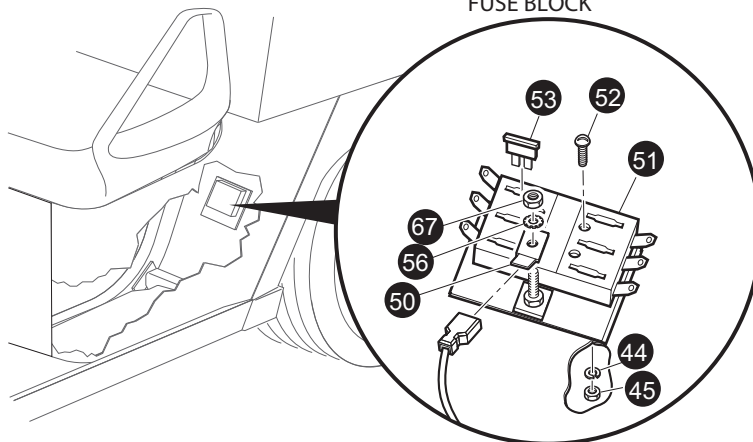
*** Indicates consult Customer Service Department for additional information.

ITEM	PART NO.	1 2 3 4 5	DESCRIPTION	QTY.
32	72735-G01		COMPRESSION SPRING, 19/32" X 1" LG	2
33	72730-G01		SHIFTER ARM WITH BUSHING	1
34	00734-G5		LOCK NUT, #10 - 32	1
35				
36	70227-G01		SCREW, 1/4 - 20 X 7/8" LG	2
37	11027-G2		LOCK NUT, 1/4 - 20	2
38				
39	26830-G01		LOCK NUT, M8 X 1.25 MM	1
40				
41				
42	71205-G01		DIRECTION SELECTOR HANDLE	1
43	00740-G4		SCREW, #10 - 32 X 1/2" LG (STAINLESS STEEL)	1
44				
45	31539-G1		WIRE TIE	1
46	01072-G01		CABLE CLIP	2
47				
48	11845-G5		CLIP, 3/8" (ST 350)	1
49	00414-G6		BOLT, 1/4 - 20 X 3/4" LG (ST 350)	1
50	14390-G4		LOCK NUT, 1/4 - 20 (ST 350)	1

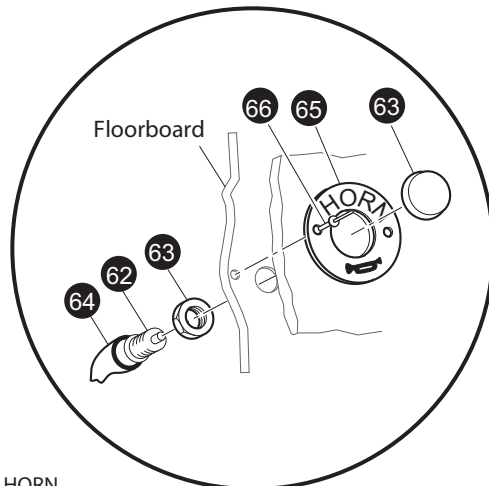




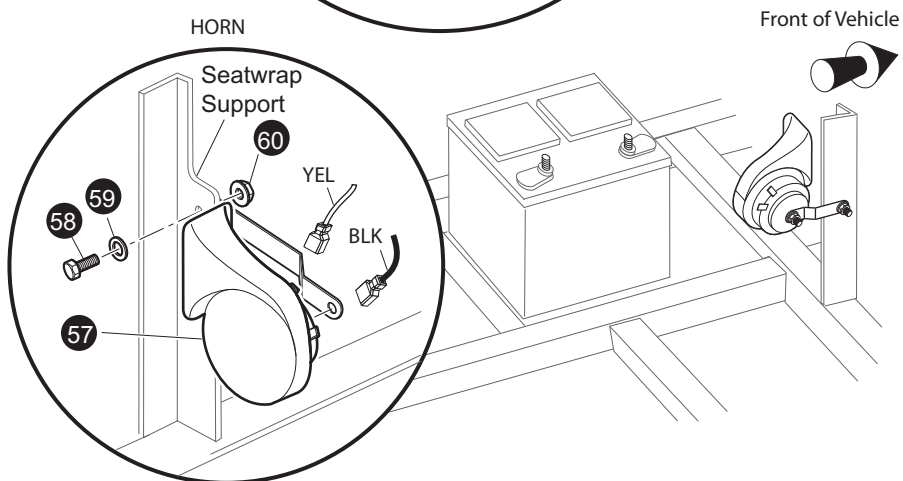
FUSE BLOCK

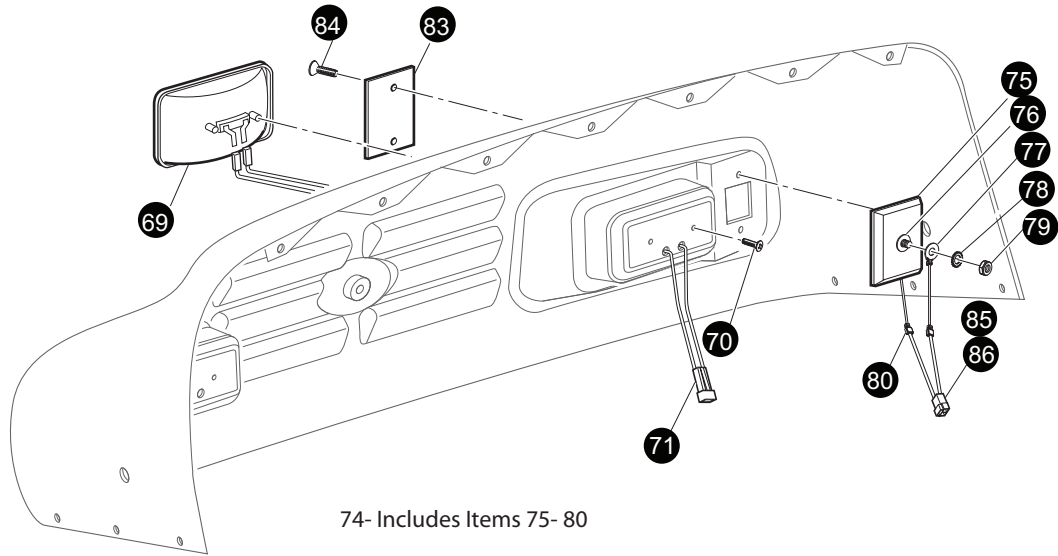


HORN BUTTON

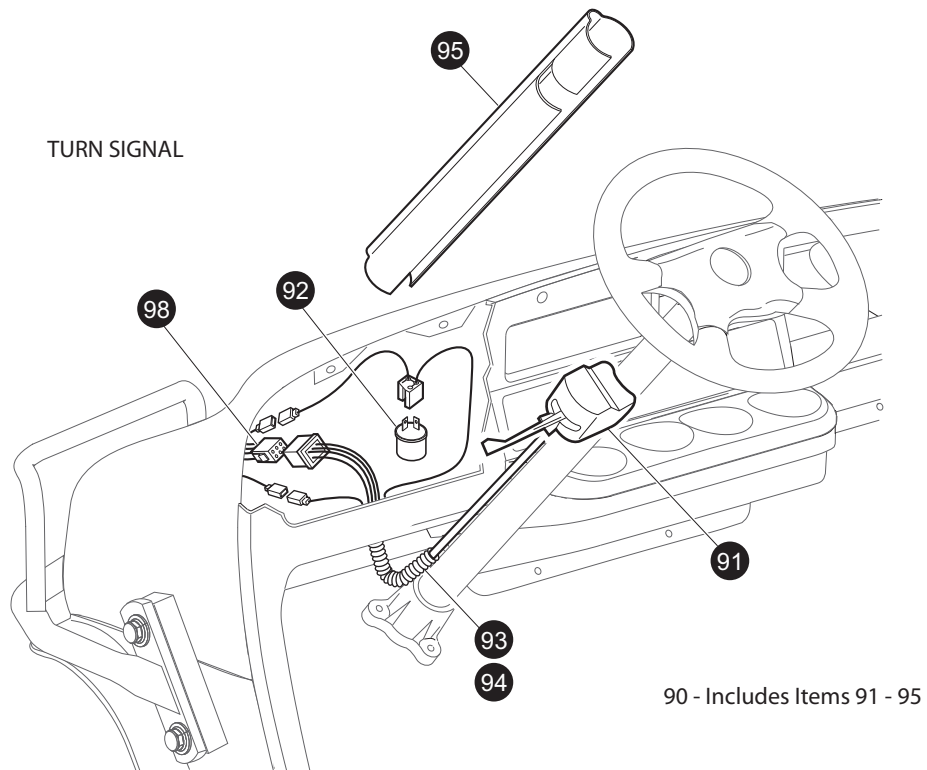
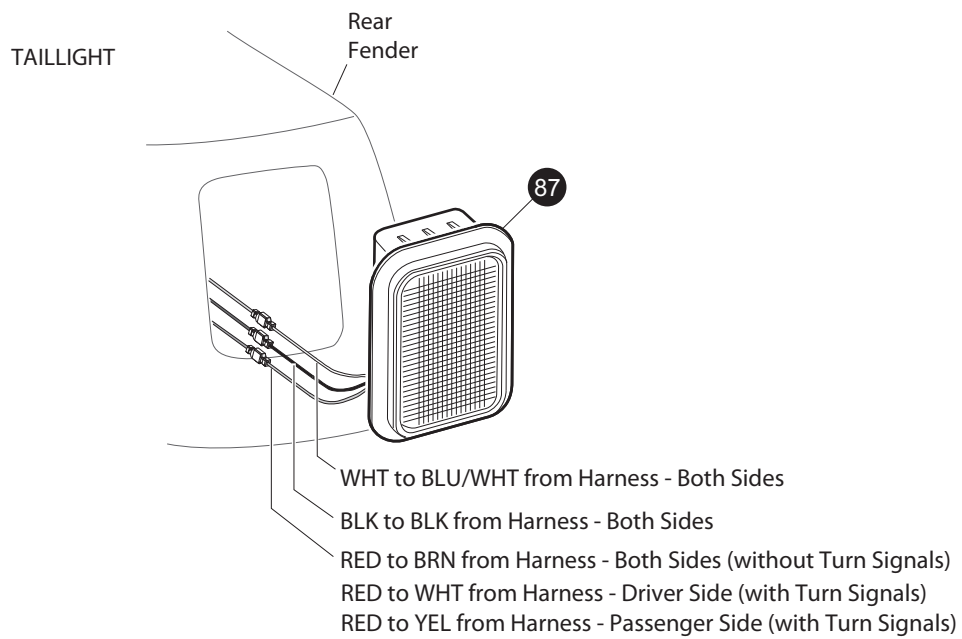


HORN



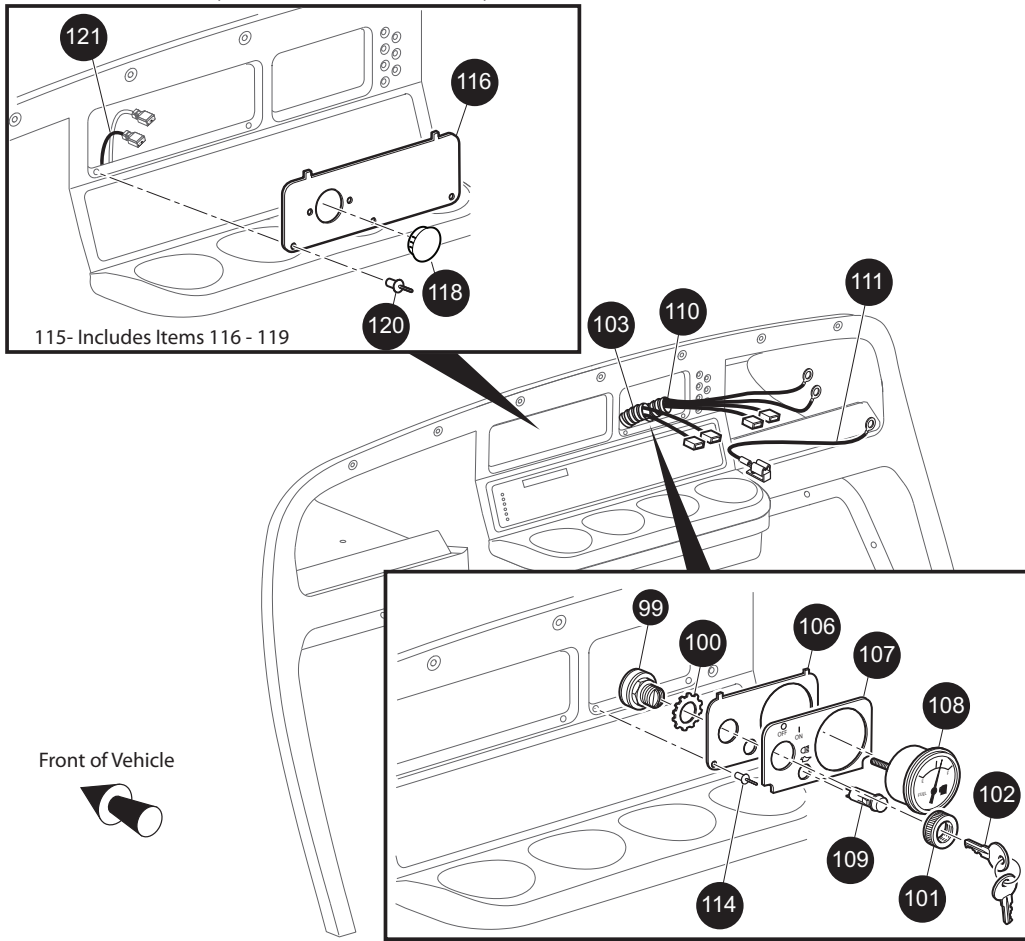


Ref Ele 11-4

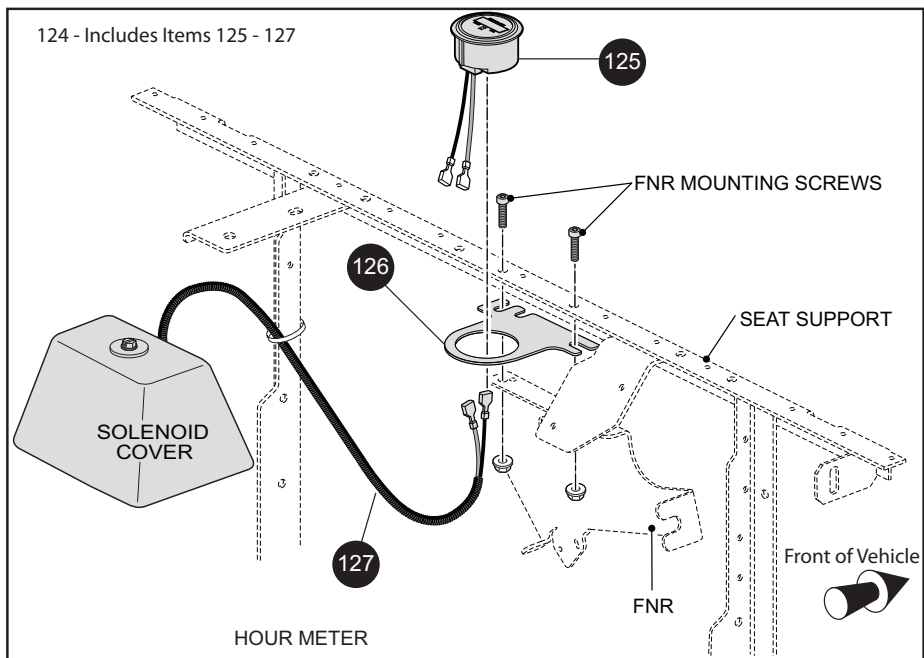


Ref Ele 11-5

CONSOLE INSERT PLATE (WITH POWER OUTLET SHOWN)



KEY SWITCH, INDICATOR LIGHT(S), AND FUEL GAUGE



Ref Ele 11-6

ELECTRICAL

When ordering parts, please specify the model and serial number of the product.

* Indicates a component that is not available as an individual part.

*** Indicates consult Customer Service Department for additional information.

ITEM	PART NO.	1 2 3 4 5	DESCRIPTION	QTY.
1	607053		6 GA WIRE (BLACK 6", F1 - A2).....	1
2	25682G1		TERMINAL COVER.....	3
3				
4				
5	24775G*		BATTERY, 12V	1
6	*		BOLT, 5/16 - 18 X 1 1/4" LG.....	2
7	*		LOCK WASHER, 5/16" (SILICON BRONZE).....	2
8	*		NUT, 5/16 - 18 (SILICON BRONZE)	2
9				
10	72101G02		BATTERY HOLD DOWN	1
11	00438G6		BOLT, 5/16 - 18 X 3/4" LG	3
12	00565G8		LOCK WASHER, 5/16"	1
13	00571G2		WASHER, 5/16" (STAINLESS STEEL)	1
14				
15				
16	27044G03		GROUND CABLE.....	1
17	25976G19		14 GA WIRE (BLACK 6").....	1
18	00438G6		BOLT, 5/16 - 18 X 3/4" LG	2
19	11027G1		LOCK NUT, 5/16 - 18.....	2
20	26676G01		FLANGED BOLT	1
21	606264		BOLT, M6-1 X 20	1
22				
23	25972G85		6 GA WIRE (BLACK 23", F2 - SOL).....	1
24	605821		WIRE HARNESS (CONTROL).....	1
25	17618G1		WIRE TIE (NOT ILLUSTRATED)	AR
26	73049G01		COVER FNR	1
27	16469G1		WASHER, 1/4".....	1
28	00114G6		SCREW, 1/4 - 14 X 3/4" LG.....	1
29				
30				
31	605563		ELECTRICAL PLATE ASSEMBLY (INCLUDES ITEMS 32 - 49)	1

When ordering parts, please specify the model and serial number of the product.

* Indicates a component that is not available as an individual part.

*** Indicates consult Customer Service Department for additional information.

ITEM	PART NO.	1 2 3 4 5	DESCRIPTION	QTY.
32	73057G01		BRACKET.....	1
33	27739G01		VOLTAGE REGULATOR.....	1
34	00415G4		BOLT, 1/4 - 20 X 1 1/4" LG.....	1
35	11027G2		LOCK NUT, 1/4 - 20.....	1
36	25972G33		WIRE ASSEMBLY 6 GA.....	1
37	603282		RELAY.....	1
38	00661G08		BOLT, 1/4 - 20 X 1" LG.....	1
39	27153G01		SOLENOID.....	1
40	*		LOCK WASHER, #10.....	2
41	*		NUT, #10 - 32.....	2
42	*		LOCK WASHER, 5/16".....	2
43	*		NUT, 5/16 - 24.....	2
44	00559G5		WASHER, # 10.....	2
45	14390G10		LOCKNUT, #10-24.....	2
46	600418G01		FUSE HOLDER ASSEMBLY.....	1
47	11027G2		LOCK NUT, 1/4 - 20.....	1
48	73446G01		FASTON TAB, 90°.....	2
49	25978G56		18 GA WIRE (BLACK 5 3/4").....	1
50	12914G01		PUSH ON MALE TERMINAL.....	1
51	35211G01		FUSE BLOCK.....	1
52	00379G2		RIVET, 1/8" X 13/16" LG.....	2
53	35212G01		15 AMP FUSE.....	3
54	25972G33		#6 GA WIRE ASSEMBLY.....	1
55	20216G1		16 GA WIRE (RED).....	1
56	00567G5		LOCK WASHER, #10.....	1
57	32860G1		HORN.....	1
58	00414G5		BOLT, 1/4 - 20 x 5/8" LG.....	1
59	00559G7		WASHER, 1/4" (STAINLESS STEEL).....	1
60	14390G4		LOCK NUT, 1/4 - 20.....	1
61				
62	17318G1		HORN SWITCH.....	1

ELECTRICAL

When ordering parts, please specify the model and serial number of the product.

* Indicates a component that is not available as an individual part.

*** Indicates consult Customer Service Department for additional information.

ITEM	PART NO.	1	2	3	4	5	DESCRIPTION	QTY.
63	17318G2						HORN SWITCH CAP AND NUT	1
64	27068G01						HORN SWITCH BOOT.....	1
65	19233G1						HORN SWITCH LABEL.....	1
66	71055G01						RIVET, 3/16" X 1" LG (ALUMINUM)	2
67	00526G4						NUT, #10-32	1
68								
69	22523G01						HEADLIGHT (INCLUDES ITEM 70).....	2
70	01085G01						SCREW, #10 - 24 X 2 - 1/7	4
71	74337G01						JUMPER WIRE (HEADLIGHT)	2
72								
73								
74	20570G3						TURN SIGNAL LIGHT ASSEMBLY (INCLUDES ITEMS 75 - 80).....	2
75	20574G3						TURN SIGNAL LIGHT	1
76	00660G7						WASHER, 1/4" (STAINLESS STEEL).....	1
77	20606G1						WIRE ASSEMBLY.....	1
78	00567G7						LOCK WASHER, 1/4"	1
79	00532G1						NUT, 1/4 - 20.....	1
80	18995G1						PUSH-ON TERMINAL (MALE).....	1
81								
82								
83	20574G4						LENS, AMBER	1
84	00118G5						SCREW, #6 - 18 X 5/8" LG.....	4
85	74056G01						TURN SIGNAL JUMPER, RED/BLACK (PASSENGER SIDE)	1
86	74056G02						TURN SIGNAL JUMPER, GREEN/BLACK (DRIVER SIDE).....	1
87	32739G2						TAILLIGHT ASSEMBLY (COMPLETE)	2
88								
89								
90	606887						TURN SIGNAL KIT (INCLUDES ITEMS 91 - 95).....	1
91	17867G1						TURN SIGNAL (WITH MOUNTING HARDWARE) (INCLUDES ITEM 106)	1
92	21640G1						TURN SIGNAL FLASHER.....	1
93	32307G3						FLEX LOOM, 3/8 X 8" LG	1

When ordering parts, please specify the model and serial number of the product.

* Indicates a component that is not available as an individual part.

*** Indicates consult Customer Service Department for additional information.

ITEM	PART NO.	1 2 3 4 5	DESCRIPTION	QTY.
94	17618G1		WIRE TIE.....	2
95	20965G3		STEERING COLUMN COVER.....	1
96				
97				
98	606045		WIRE HARNESS (ACCESSORY)	1
99	18602G1		IGNITION SWITCH (WITH LIGHTS, INDIVIDUALLY KEYED).....	1
100	00568G6		LOCK WASHER, 3/4"	1
101	17137G1		FACE NUT, 3/4 - 20.....	1
102	17063G1		IGNITION KEY	1
103	605830		WIRE HARNESS (KEY SWITCH).....	1
104				
105				
106	73030G04		PLATE (FUEL GAUGE AND OIL LIGHT)	1
107	71131G01		LABEL (OIL LIGHT AND FUEL GAUGE WITH HEADLIGHTS)	1
108	21553G1		FUEL GAUGE	1
109	23474G1		INDICATOR LIGHT	1
110	74311G01		HARNESS (OIL LIGHT/FUEL GAUGE).....	1
111	25978G122		18 GA WIRE (RED 6")	1
112				
113				
114	33623G02		DRIVE RIVET, 3/16" X 3/8" LG	2
115	74693G01		CONSOLE INSERT ASSEMBLY (INCLUDES ITEMS 116 - 119).....	1
116	73522G03		CONSOLE INSERT PLATE.....	1
117				
118	20271G10		HOLE PLUG	1
119				
120	33623G02		DRIVE RIVET, 3/16" X 3/8" LG	3
121				
122				
123				
124	607285		HOUR METER KIT (INCLUDES ITEMS 125 - 127).....	1

ELECTRICAL

When ordering parts, please specify the model and serial number of the product.

* Indicates a component that is not available as an individual part.

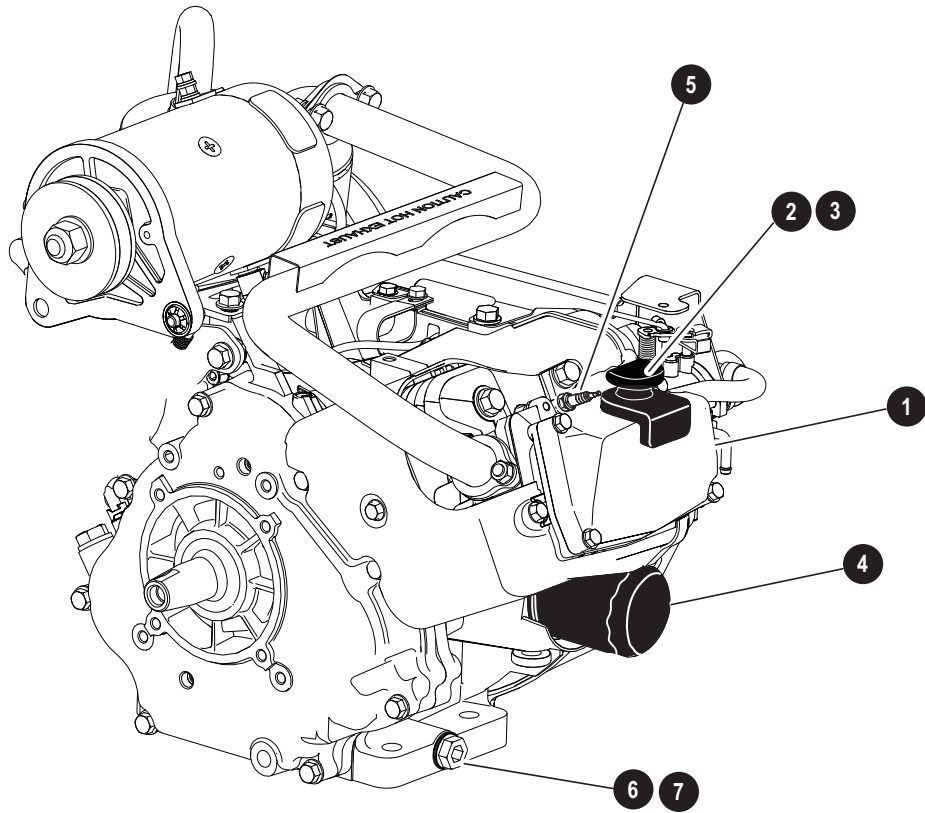
*** Indicates consult Customer Service Department for additional information.

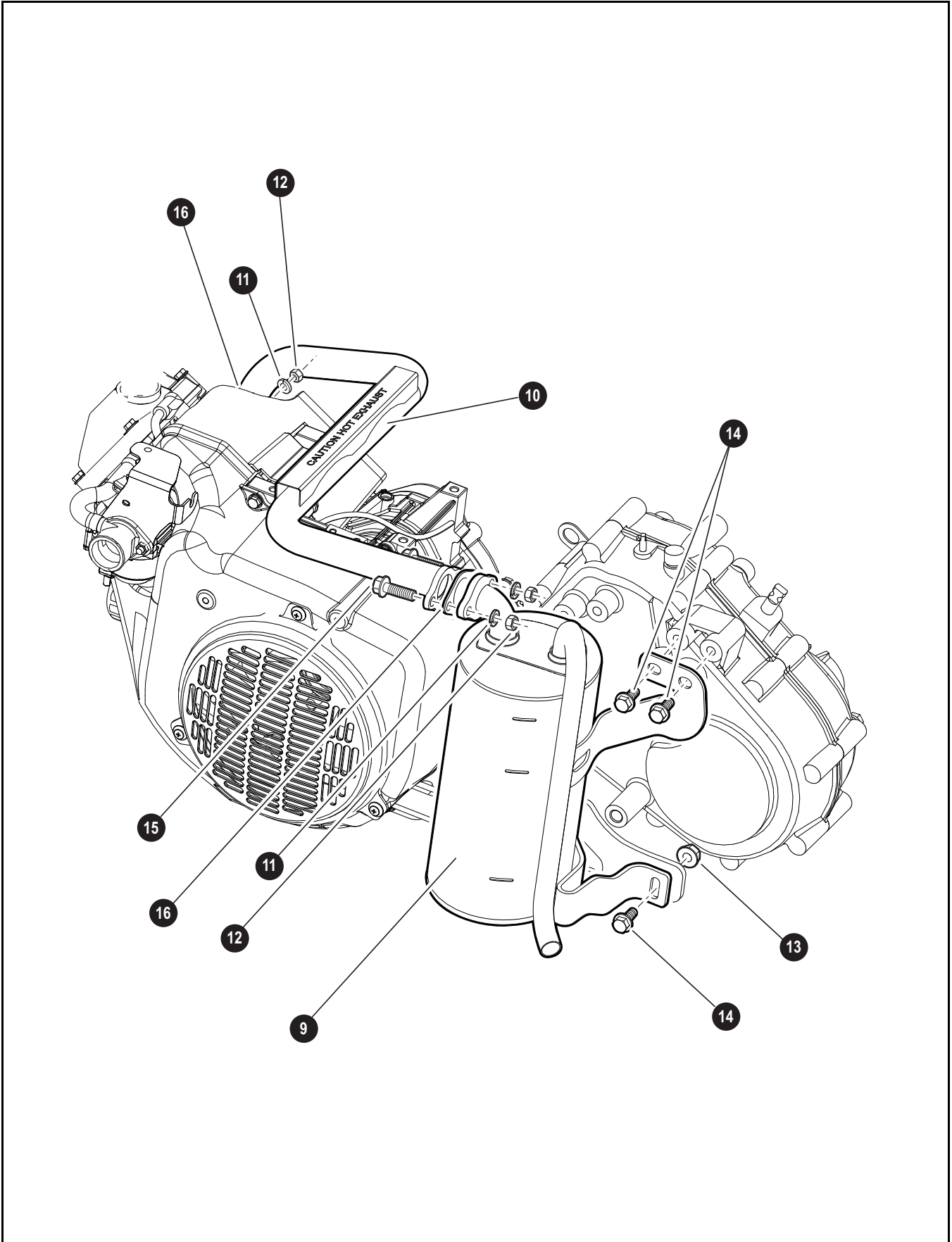
ITEM	PART NO.	1	2	3	4	5	DESCRIPTION	QTY.
125	603720						HOUR METER.....	1
126	603721						HOUR METER BRACKET.....	1
127	606254						WIRE HARNESS (HOUR METER).....	1

Notes:

A large grid of graph paper, consisting of 20 columns and 30 rows of small squares, intended for taking notes.

ENGINE AND MUFFLER





ENGINE AND MUFFLER

Where applicable, THE USE OF NON UL PARTS WILL VOID ANY UL LISTING.

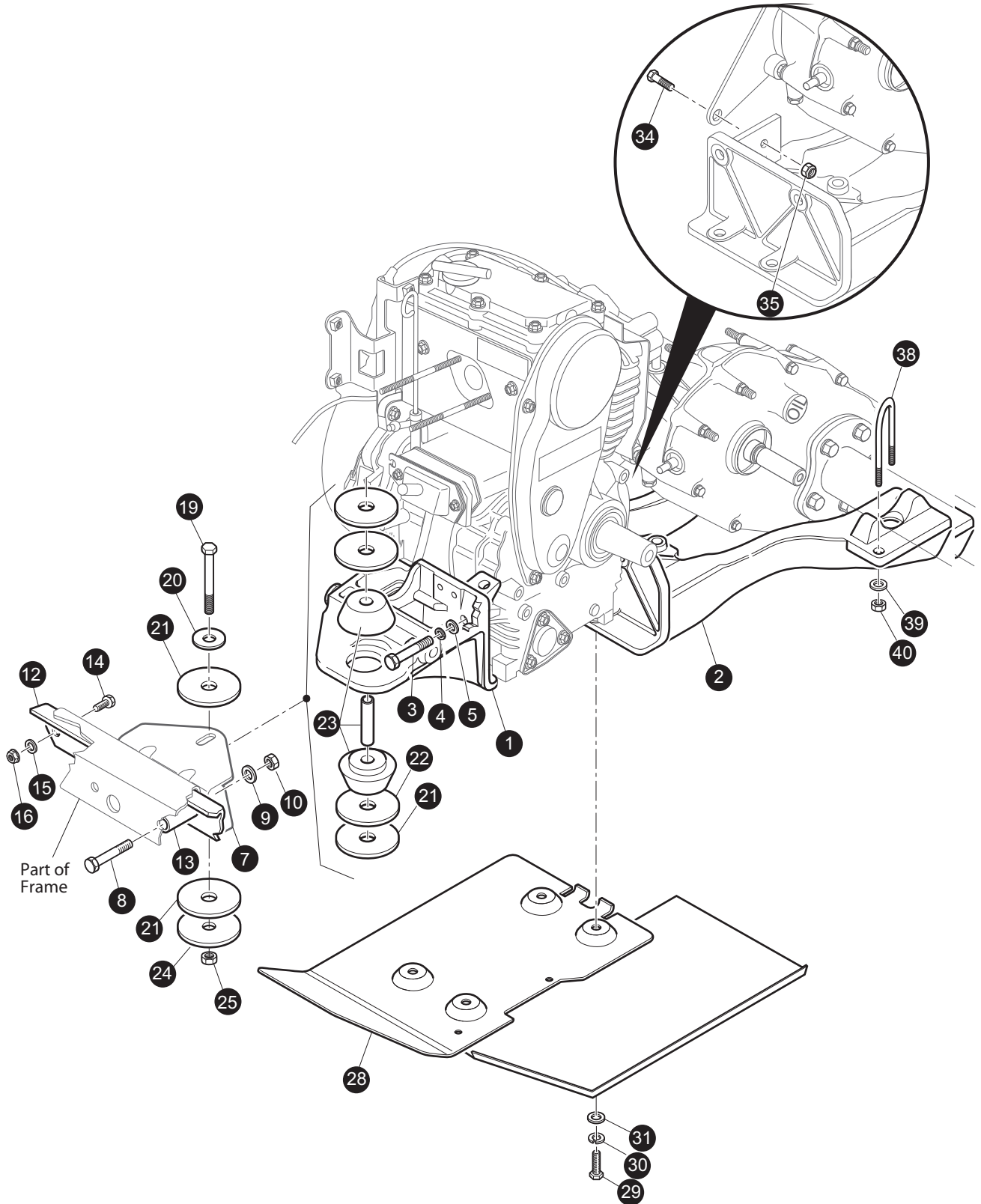
When ordering parts, please specify the model and serial number of the product.

* Indicates a component that is not available as an individual part.

G** Indicates consult Customer Service Department for additional information.

ITEM	PART NO.	1 2 3 4 5	DESCRIPTION	QTY.
1	607154		ENGINE, GAS, 13HP, NON-GOLF.....	1
2	606390		DIP STICK, LOW (ST SPORT II G CARB).....	1
3	606391		DIP STICK, HIGH.....	1
4	607454		OIL FILTER.....	1
5	607462		SPARK PLUG (BPR2ES).....	1
6	603557		OIL DRAIN PLUG.....	1
7	603562		'O' RING, 16MM.....	1
8				
9	606984		MUFFLER.....	1
10	606982		EXHAUST PIPE.....	1
11	606272		WASHER, 8MM.....	4
12	606267		NUT, M8 X 1.25.....	4
13	606279		NUT, M10 - 1.25.....	1
14	606256		BOLT, M10 - 1.25 X 25.....	3
15	602330		BOLT, M8 - 1.25 X 30.....	2
16	603599		EXHAUST GASKET.....	2

ENGINE MOUNTING



Ref Emt 9

ENGINE MOUNTING

When ordering parts, please specify the model and serial number of the product.

* Indicates a component that is not available as an individual part.

*** Indicates consult Customer Service Department for additional information.

ITEM	PART NO.	1 2 3 4 5	DESCRIPTION	QTY.
1	72010-G01		FRONT ENGINE MOUNT	1
2	72011-G01		REAR ENGINE MOUNT	1
3	00463-G4		BOLT, 7/16 - 14 X 1 1/2" LG.....	4
4	00566-G2		LOCK WASHER, 7/16"	4
5	00922-G3		WASHER, 7/16"	4
6				
7	72253-G02		MOUNT BRACKET	1
8	00428-G6		BOLT, 3/8 - 16 X 2 3/4" LG.....	2
9	00643-G1		WASHER, 3/8"	2
10	11098-G5		LOCK NUT, 3/8 - 16	2
11				
12	70269-G01		CROSSMEMBER BRACE	1
13	72016-G01		SPACER.....	2
14	00438-G7		BOLT, 5/16 - 18 X 7/8" LG.....	2
15	01110-G03		WASHER, 5/16"	2
16	01109-G01		LOCK NUT, 5/16 - 18	2
17				
18				
19	00430-G4		BOLT, 3/8 - 16 X 4 1/2" LG.....	1
20	15121-G1		WASHER, 1 1/4" X 3/8"	1
21	72050-G01		PLASTIC WASHER, 2 1/2" x 5/8"	4
22	72051-G01		WASHER, 2 1/2" X 5/8"	2
23	72015-G01		ISOLATION MOUNT	1
24	72051-G02		WASHER, 2 1/2" X 11/32".....	1
25	11098-G5		LOCK NUT, 3/8 - 16	1
26				
27				
28	70527-G02		ENGINE GUARD	1
29	00463-G4		BOLT, 7/16 - 14 X 1 1/2" LG.....	4
30	00566-G2		LOCK WASHER, 7/16"	4
31	00922-G3		WASHER, 7/16"	4

ENGINE MOUNTING

When ordering parts, please specify the model and serial number of the product.

* Indicates a component that is not available as an individual part.

*** Indicates consult Customer Service Department for additional information.

ITEM	PART NO.	1	2	3	4	5	DESCRIPTION	QTY.
32								
33								
34	00439-G2						BOLT, 5/16 - 18 X 1 1/8" LG	1
35	11098-G6						LOCK NUT, 5/16 - 18.....	1
36								
37								
38	72035-G01						'U' BOLT, 7/16 - 14	2
39	00922-G3						WASHER, 7/16".....	4
40	00734-G1						LOCK NUT, 7/16 - 14.....	4

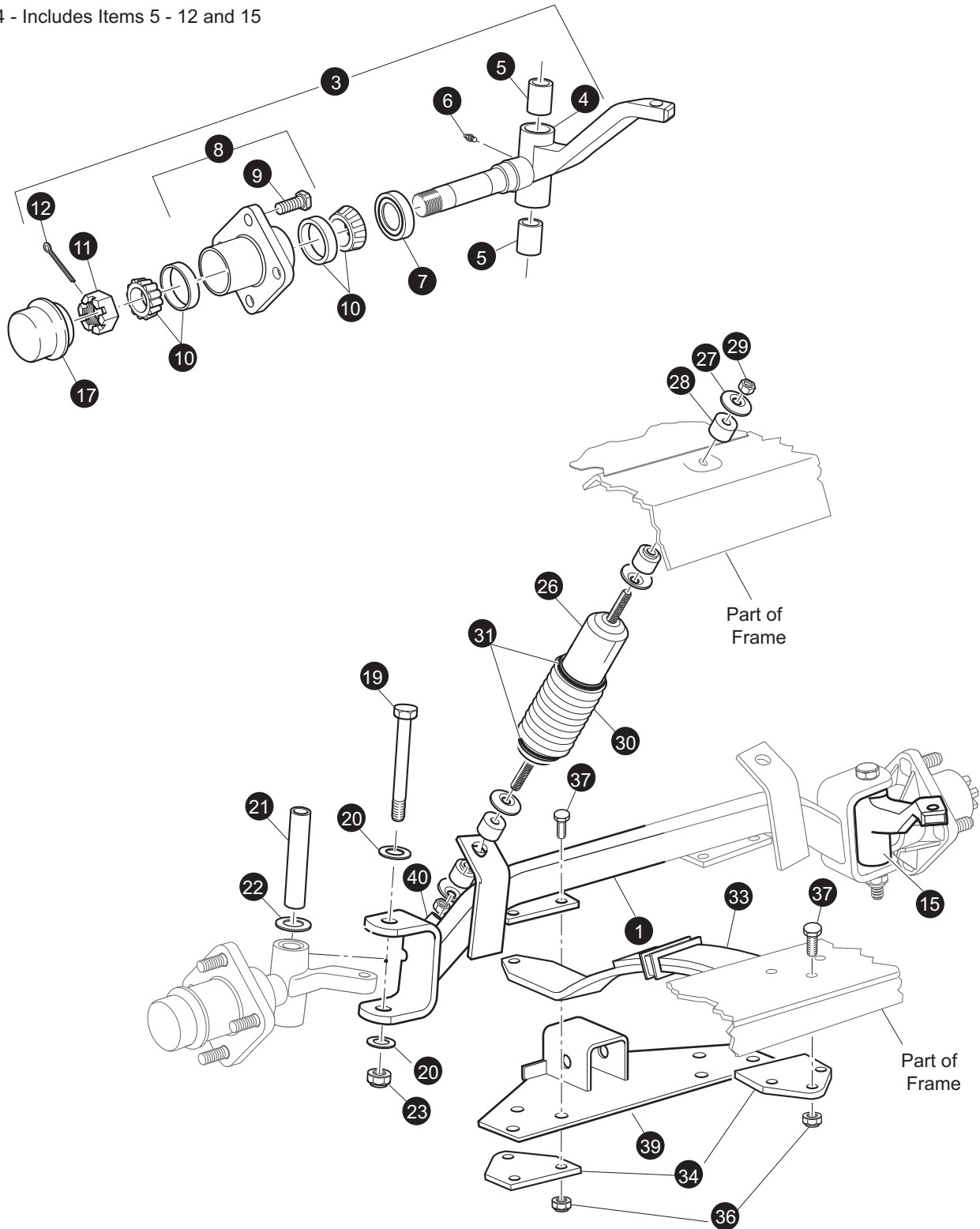
Notes:

A large grid for taking notes, consisting of 20 columns and 30 rows of small squares.

FRONT SUSPENSION

3 - Includes Items 4 - 12

14 - Includes Items 5 - 12 and 15



FRONT SUSPENSION

When ordering parts, please specify the model and serial number of the product.

* Indicates a component that is not available as an individual part.

*** Indicates consult Customer Service Department for additional information.

ITEM	PART NO.	1 2 3 4 5	DESCRIPTION	QTY.
1	70515-G01		FRONT AXLE.....	1
2				
3	70535-G03		SPINDLE ASSEMBLY (DRIVER SIDE) (INCLUDES ITEMS 4 - 12)	1
4	*		SPINDLE (DRIVER SIDE).....	1
5	16623-G1		BEARING	2
6	10389-G3		GREASE FITTING, STRAIGHT	1
7	25146-G1		GREASE SEAL	1
8	35886-G01		WHEEL HUB ASSEMBLY WITH RACES (INCLUDES ITEMS 9).....	1
9	19862-G1		LUG BOLT, 1/2 - 20 X 1 3/16" LG	4
10	50892-G1		BEARING AND RACE ASSEMBLY (COMPLETE).....	2
11	12093-G1		SLOTTED NUT, 1 - 14.....	1
12	00798-G8		COTTER PIN, 5/32" X 1 3/4" LG	1
13				
14	70534-G03		SPINDLE ASSEMBLY (PASSENGER SIDE) (INCL ITEMS 5 - 12, 15)	1
15	*		SPINDLE (PASSENGER SIDE)	1
16				
17	12091-G2		SPINDLE CAP	2
18				
19	01040-G01		BOLT, 1/2 - 13 X 5" LG.....	2
20	00571-G5		WASHER, 1/2"	4
21	70328-G01		KING PIN TUBE.....	2
22	16982-G1		THRUST WASHER, 7/8"	2
23	14390-G6		LOCK NUT, 1/2 - 13	2
24				
25				
26	70630-G01		SHOCK ABSORBER	2
27	10435-G1		SHOCK ABSORBER WASHER.....	8
28	10194-G1		RUBBER BUSHING	8
29	00532-G6		NUT, 3/8 - 24	4
30	70509-G01		SHOCK ABSORBER BOOT	2
31	31539-G1		WIRE TIE	4

FRONT SUSPENSION

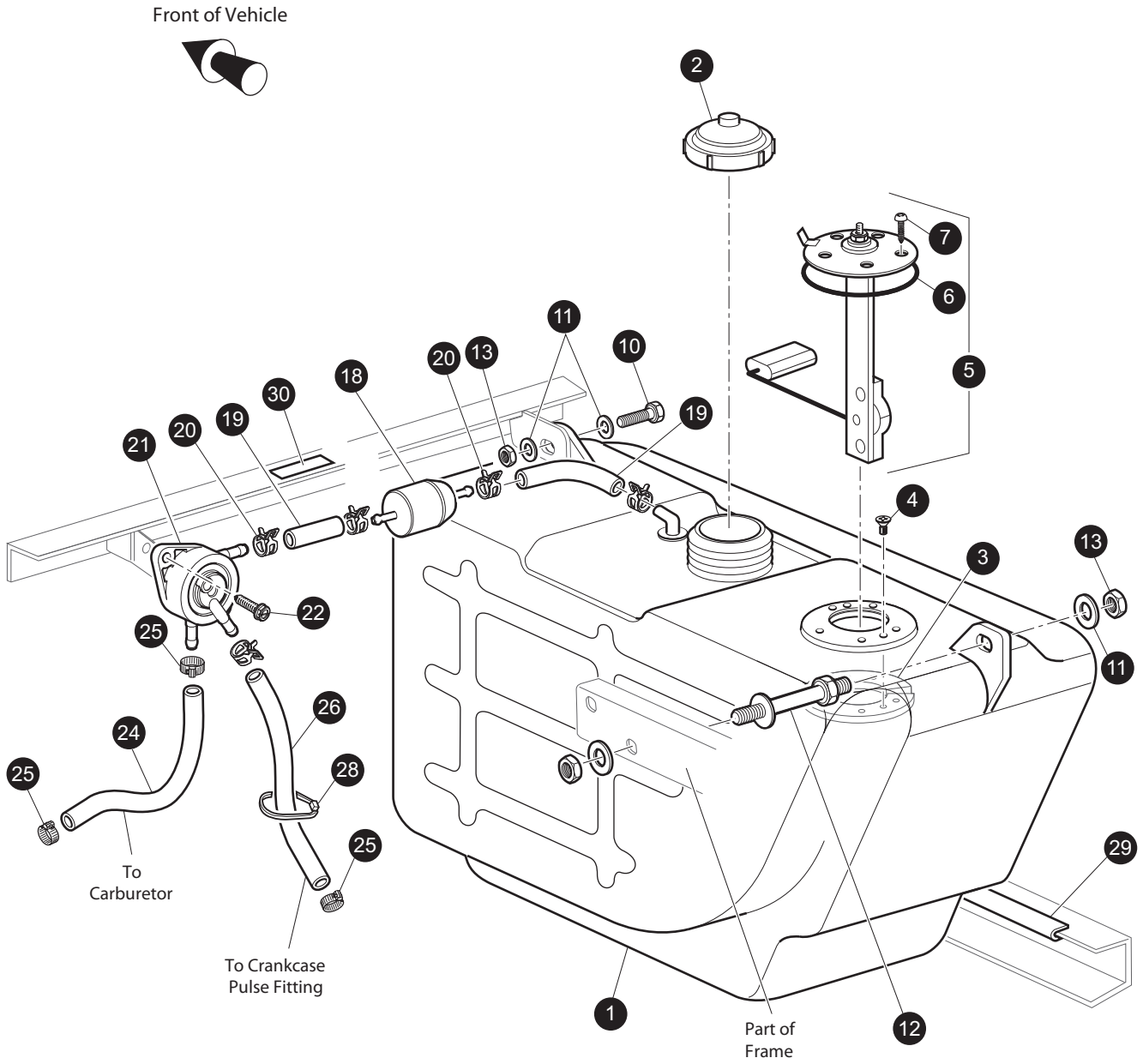
When ordering parts, please specify the model and serial number of the product.

* Indicates a component that is not available as an individual part.

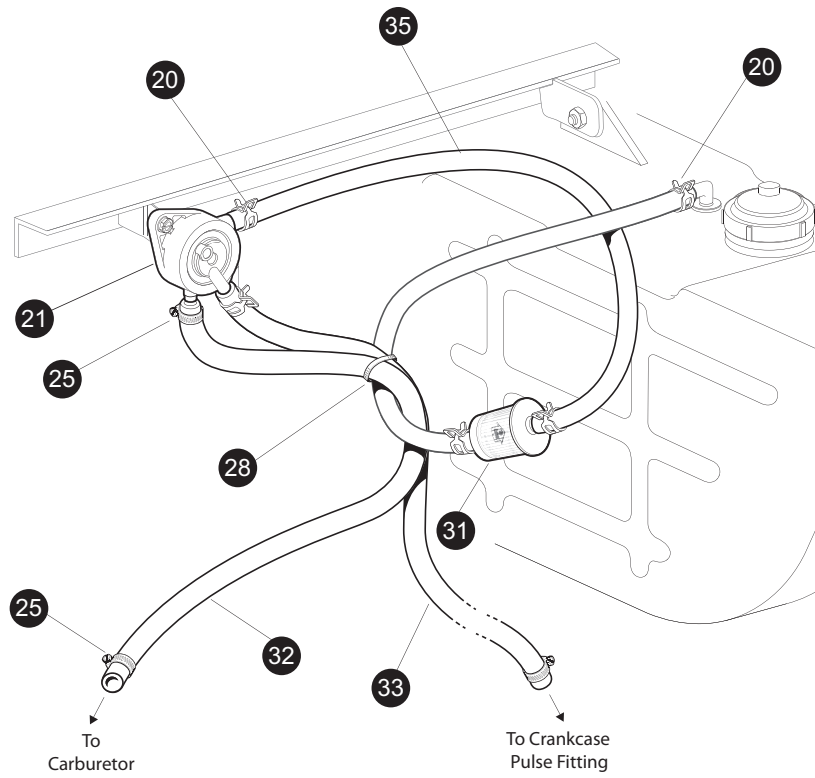
*** Indicates consult Customer Service Department for additional information.

ITEM	PART NO.	1 2 3 4 5	DESCRIPTION	QTY.
32				
33	70422-G01		LEAF SPRING (HEAVY DUTY).....	2
34	70163-G03		SPRING PLATE.....	4
35				
36	00734-G1		LOCK NUT, 7/16 - 14.....	12
37	00463-G11		BOLT, 7/16 - 14 X 1 3/4" LG	12
38				
39	74255-G01		WINCH RECEIVER.....	1
40	10044-G01		VINYL CAP.....	2

FUEL SYSTEM



Ref Fsy 9-1



CALIFORNIA EMISSION REQUIREMENT

FUEL SYSTEM

When ordering parts, please specify the model and serial number of the product.

* Indicates a component that is not available as an individual part.

*** Indicates consult Customer Service Department for additional information.

ITEM	PART NO.	1 2 3 4 5	DESCRIPTION	QTY.
1	72231-G01		FUEL TANK (FOR ELECTRIC FUEL GAUGE)	1
2	72282-G01		FUEL TANK CAP	1
3	72229-G01		FUEL LEVEL SENDER ADAPTER	1
4	72230-G01		SCREW, #6 - 32 X 1/2" LG	2
5	20048-G2		FUEL LEVEL SENDER (ELEC. FUEL GAUGE) (INCLUDES ITEMS 6, 7)....	1
6	*		GASKET	1
7	72232-G01		SCREW, #10 - 32 x 3/4" LG	5
8				
9				
10	00438-G8		BOLT, 5/16 - 18 X 1" LG	1
11	00559-G8		WASHER, 5/16"	4
12	70483-G01		SPACER BOLT	1
13	01109-G01		LOCK NUT, 5/16 - 18 (STAINLESS STEEL)	3
14				
15				
16				
17				
18	72084-G01		FUEL FILTER	1
19	17470-G1		FUEL SYSTEM TUBING, 1/4" ID X 1/2" OD (BULK).....	3 1/4"
20	18292-G1		CLAMP	5
21	72873-G01		FUEL PUMP	1
22	00114-G6		SCREW, 1/4 - 14 X 3/4" LG	2
23				
24	17470-G1		FUEL SYSTEM TUBING, 1/4" ID X 1/2" OD (BULK).....	26"
25	11391-G4		HOSE CLAMP, 1/4"	3
26	27183-G01		TUBING, 1/4" I.D. X 1/2" O.D. (BULK).....	26"
27				
28	17618-G1		WIRE TIE.....	3
29	22280-G1		VINYL TRIM - BLACK, (BULK).....	6 1/4"
30	26459-G01		LABEL (UNLEADED GASOLINE ONLY)	1
31	12902-G1		FUEL FILTER-CARB	1

FUEL SYSTEM

When ordering parts, please specify the model and serial number of the product.

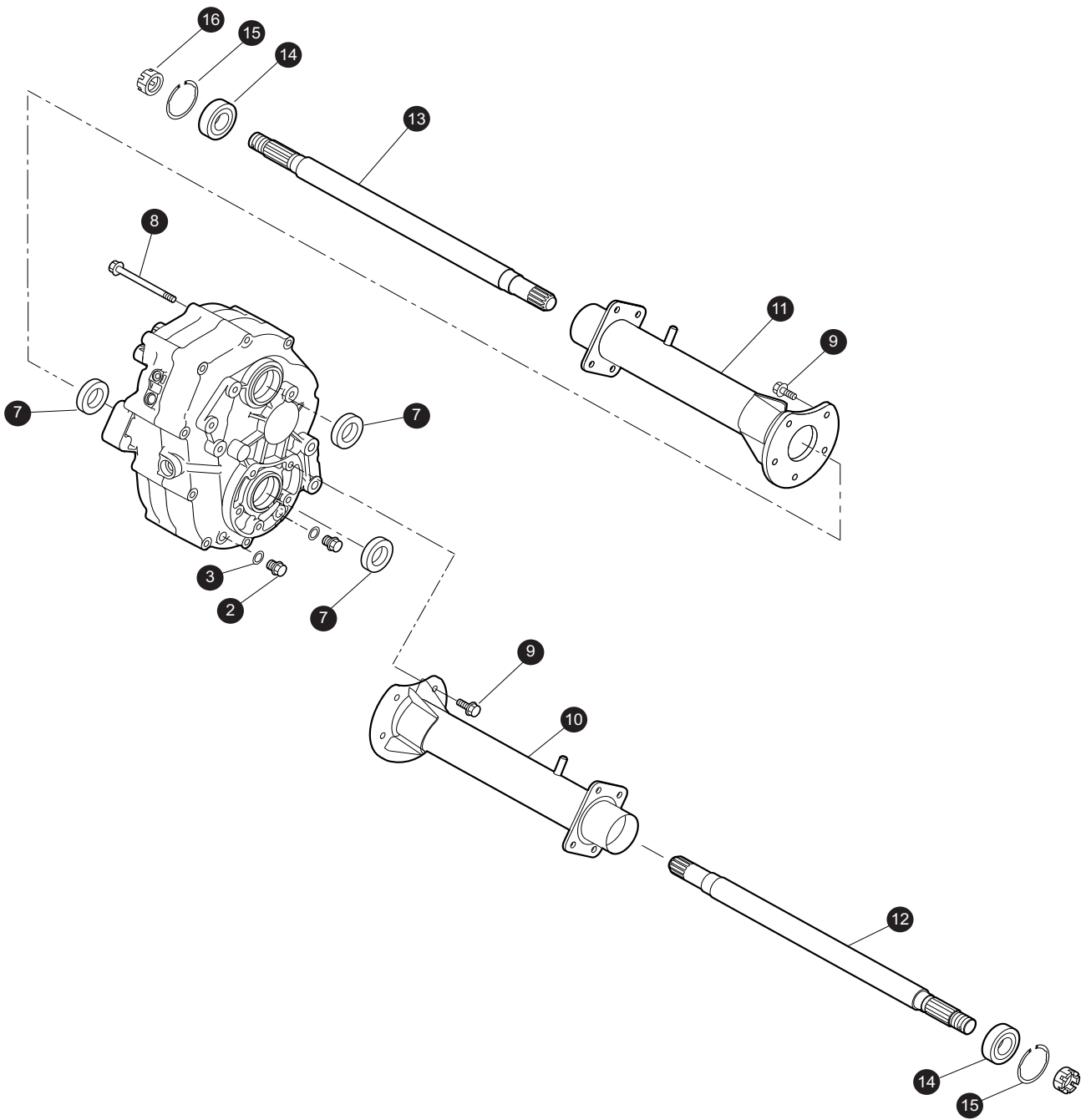
* Indicates a component that is not available as an individual part.

*** Indicates consult Customer Service Department for additional information.

ITEM	PART NO.	1 2 3 4 5	DESCRIPTION	QTY.
32	604596		FUEL SYSTEM TUBING, 26" LG, 1/4"ID X 1/2" OD (BULK)	AR
33	27183-G01		TUBING, 1/4" I.D. X 1/2" O.D. (BULK)	AR
34				
35	604596		FUEL SYSTEM TUBING, 14" LG, 1/4" ID X 1/2" OD (BULK)	AR
36				
37				
38	604589		LABEL, CARB EMISSION (TOP OF TIMING BELT COVER)	1

REAR AXLE

1 - Includes Items 2 - 16



REAR AXLE

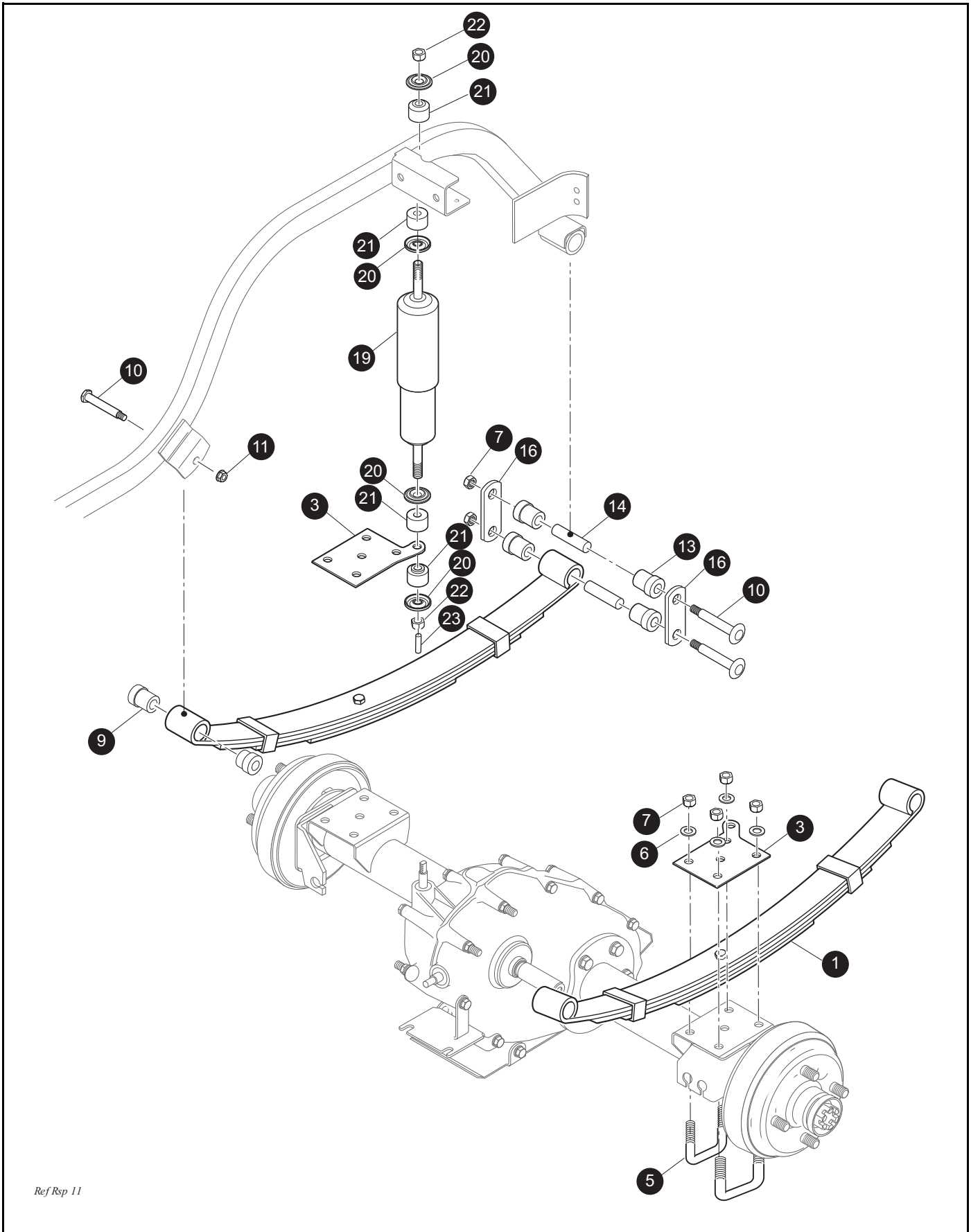
When ordering parts, please specify the model and serial number of the product.

* Indicates a component that is not available as an individual part.

*** Indicates consult Customer Service Department for additional information.

ITEM	PART NO.	1 2 3 4 5	DESCRIPTION	QTY.
1	605891		REAR AXLE	1
2	26770-G01		OIL DRAIN PLUG	2
3	26771-G01		GASKET	2
4				
5				
6				
7	72259-G01		OIL SEAL 28 X 47 X 9	3
8	26823-G01		FLANGE BOLT M8 X 1.25 X 100	10
9	72260-G01		FLANGE BOLT M10 X 1.5 X 23	10
10	607940		AXLE TUBE (PASSENGER SIDE)	1
11	607939		AXLE TUBE (DRIVER SIDE)	1
12	607988		AXLE SHAFT (PASSENGER SIDE)	1
13	607987		AXLE SHAFT (DRIVER SIDE)	1
14	26811-G01		BALL BEARING	2
15	26814-G01		SNAP RING	2
16	606403		SLOTTED NUT	2

REAR SUSPENSION



Ref Rsp 11

REAR SUSPENSION

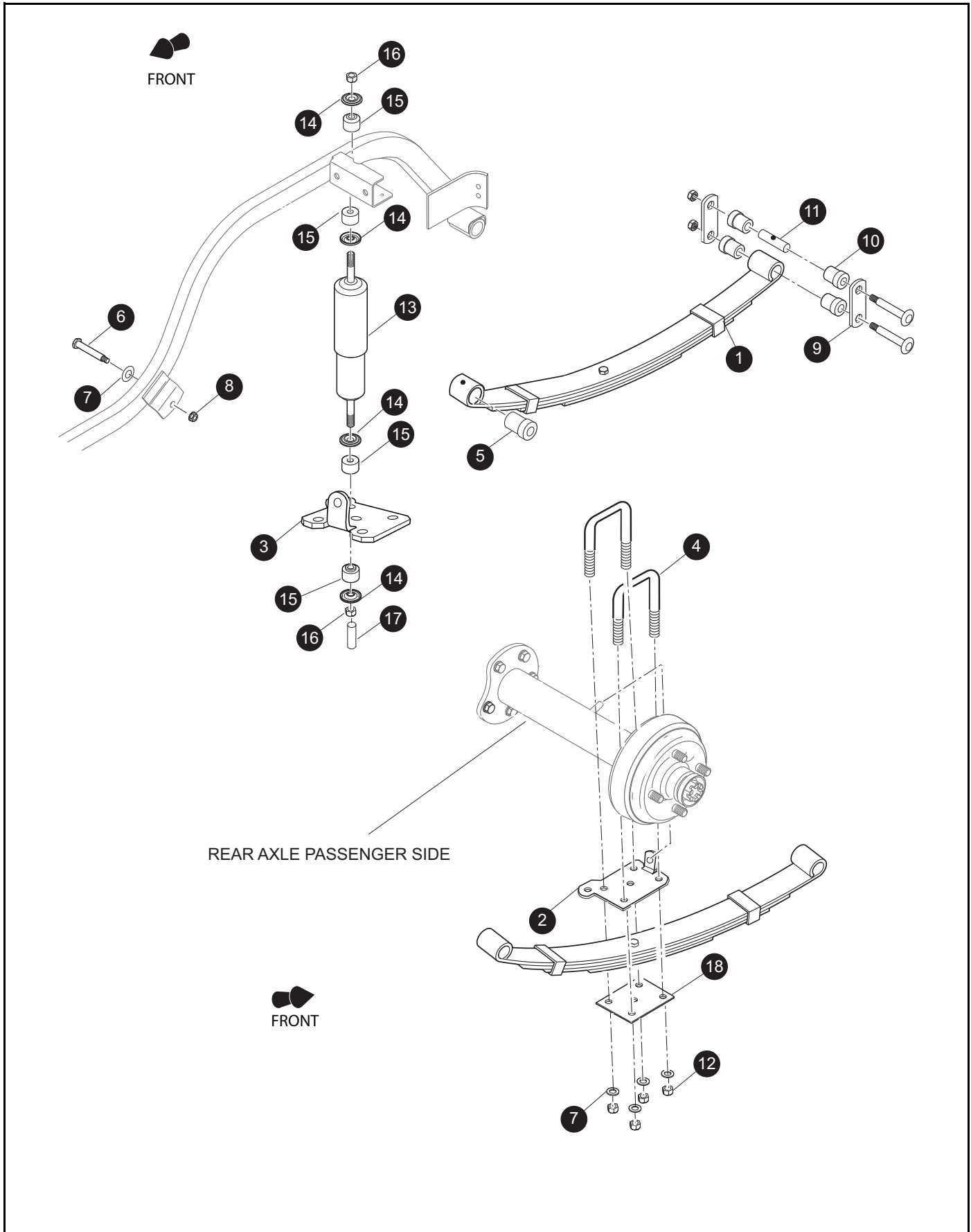
When ordering parts, please specify the model and serial number of the product.

* Indicates a component that is not available as an individual part.

*** Indicates consult Customer Service Department for additional information.

ITEM	PART NO.	1 2 3 4 5	DESCRIPTION	QTY.
1	605721		HEAVY DUTY LEAF SPRING.....	2
2				
3	605977		SPRING PLATE	2
4				
5	32195G3		'U' BOLT, 3/8 - 16 X 2" X 2 1/8" LG.....	4
6	00643G1		WASHER, 3/8"	10
7	11098G5		LOCK NUT, 3/8 - 16	12
8				
9	605445		FLANGED BUSHING.....	2
10	00665G9		SHOULDER BOLT, 3/8 - 16 X 3 1/4" LG.....	6
11	12262G1		LOCK NUT, 3/8 - 16	2
12				
13	70291G01		FLANGED BUSHING.....	8
14	70289G02		SPACER.....	4
15				
16	70290G02		SHACKLE PLATE	4
17				
18				
19	70248G01		SHOCK ABSORBER	2
20	10435G1		SHOCK ABSORBER WASHER.....	8
21	10194G1		RUBBER BUSHING.....	8
22	00532G6		NUT, 3/8 - 24	4
23	10044G01		VINYL CAP	2

REAR SUSPENSION



REAR SUSPENSION

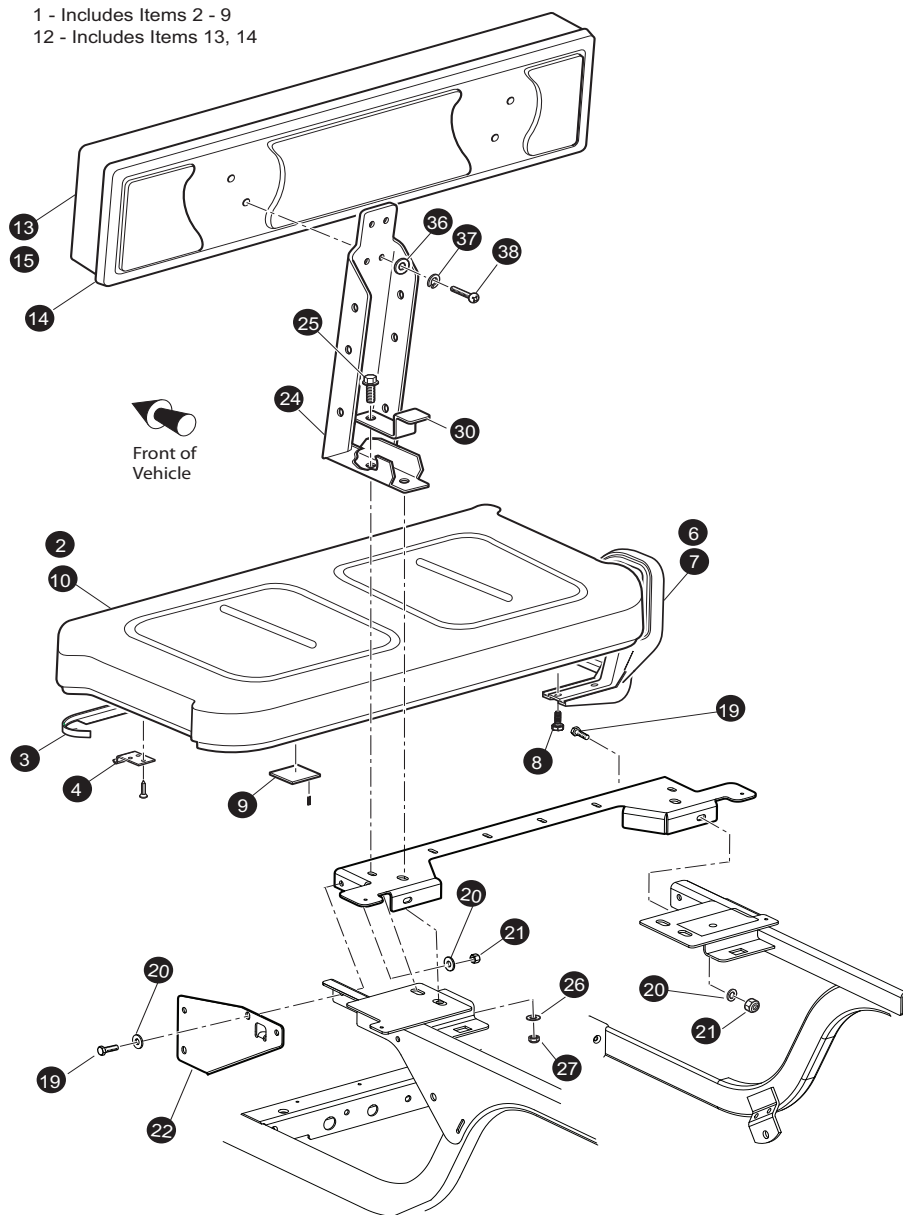
When ordering parts, please specify the model and serial number of the product.

* Indicates a component that is not available as an individual part.

*** Indicates consult Customer Service Department for additional information.

ITEM	PART NO.	1 2 3 4 5	DESCRIPTION	QTY.
1	605721		HEAVY DUTY LEAF SPRING.....	1
2	605958		AXLE BRACKET PASSENGER SIDE	1
3	605938		AXLE BRACKET DRIVER SIDE	1
4	32195G3		'U' BOLT	4
5	605445		FRONT SPRING BUSH.....	2
6	00665G9		SHOULDER BOLT, 3/8 - 16	6
7	00643G1		FLAT WASHER B TYPE 3/8	10
8	12262G1		LOCK NUT, 3/8 - 16	2
9	70290G02		SHACKLE PLATE	4
10	70291G01		FLANGED BUSHING.....	8
11	70289G02		SPACER.....	4
12	11098G5		LOCK NUT, 3/8 - 16	12
13	70248G01		SHOCK ABSORBER	2
14	10435G1		SHOCK ABSORBER WASHER.....	8
15	10194G1		RUBBER BUSHING.....	8
16	00532G6		NUT, 3/8 - 24	4
17	10044G01		VINYL CAP	2
18	605956		REAR SUSPENSION PLATE	2

SEATING



When ordering parts, please specify the model and serial number of the product.

* Indicates a component that is not available as an individual part.

*** Indicates consult Customer Service Department for additional information.

ITEM	PART NO.	1 2 3 4 5	DESCRIPTION	QTY.
1	71611G**		SEAT BOTTOM ASSEMBLY (INCLUDES ITEMS 2 - 9).....	1
2	71602G**		VINYL SEAT BOTTOM COVER.....	1
3	71012G01		VINYL TRIM (SEAT BOTTOM).....	1
4	71610G01		SEAT HINGE.....	2
5	00720G08		SCREW, #12 - 14 X 1" LG (STAINLESS STEEL).....	6
6	71701G01		HIP RESTRAINT (PASSENGER SIDE).....	1
7	71702G01		HIP RESTRAINT (DRIVER SIDE).....	1
8	71204G01		BOLT, 1/4 - 20 X 7/8" LG.....	8
9	17074G1		RUBBER PAD.....	2
10	604912G**		TWO TONE VINYL SEAT BOTTOM.....	1
11				
12	71274G**		SEAT BACK ASSEMBLY (INCLUDES ITEMS 13, 14).....	1
13	18144G**		VINYL SEAT BACK COVER.....	1
14	74889G01		PLASTIC SEAT BACK COVER (BLACK).....	1
15	604916G**		TWO TONE VINYL SEAT BACK.....	1
16				
17	71446G02		SEAT BACK SUPPORT.....	1
18				
19	00438G8		BOLT, 5/16 - 18 X 1" LG.....	5
20	00571G2		WASHER, 5/16".....	6
21	11098G6		LOCK NUT, 5/16 - 18 (STAINLESS STEEL).....	5
22	605776		BRACKET.....	1
23				
24	75900G02		SEAT BACK SUPPORT BRACKET.....	2
25	01006G01		BOLT, 3/8 - 16 X 1 1/4" LG.....	4
26	00560G1		WASHER, 3/8".....	4
27	11098-G5		LOCK NUT, 3/8 - 16.....	4
28				
29				
30	74947G01		BED BUMPER BRACKET.....	2
31				

SEATING

When ordering parts, please specify the model and serial number of the product.

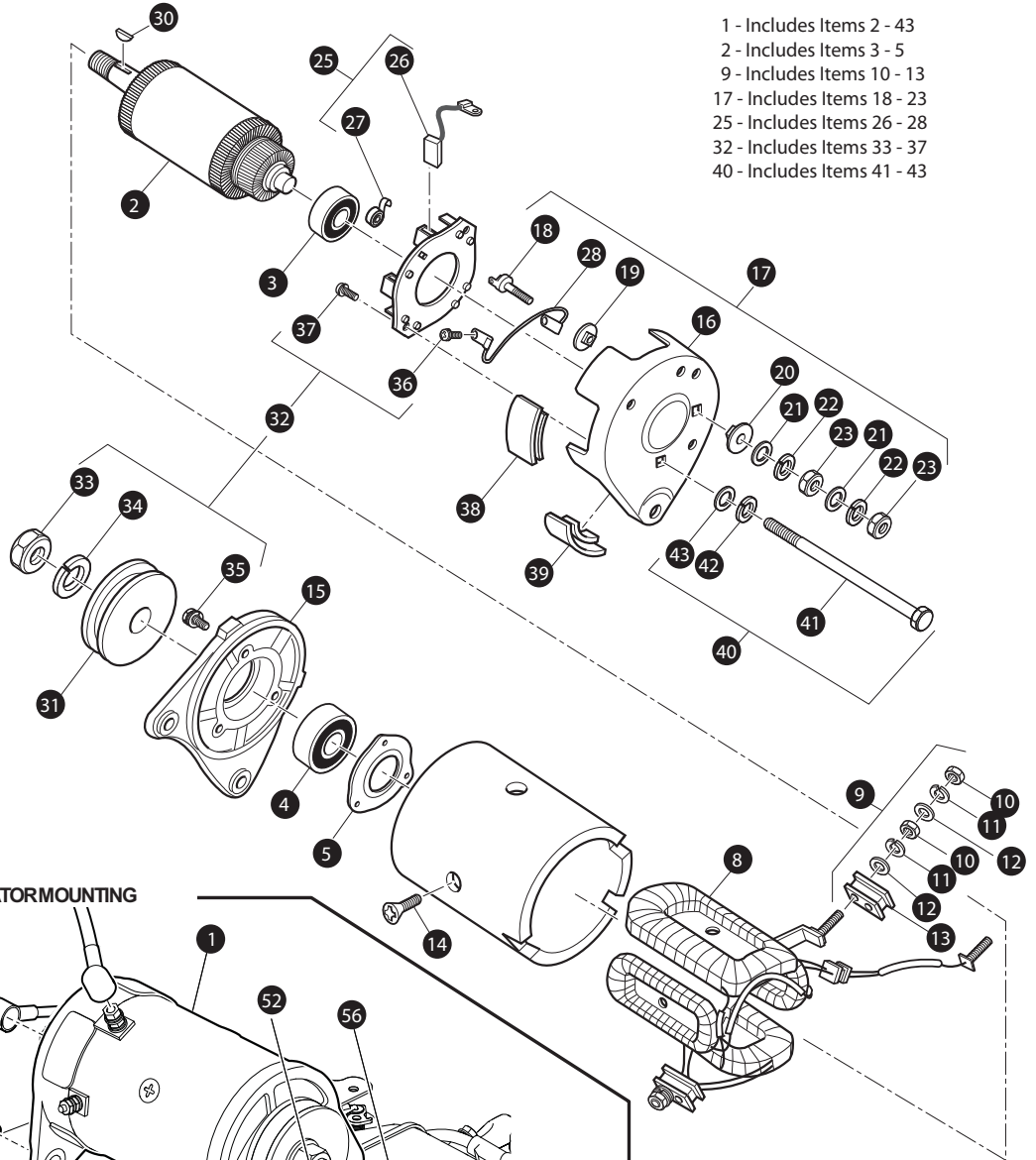
* Indicates a component that is not available as an individual part.

*** Indicates consult Customer Service Department for additional information.

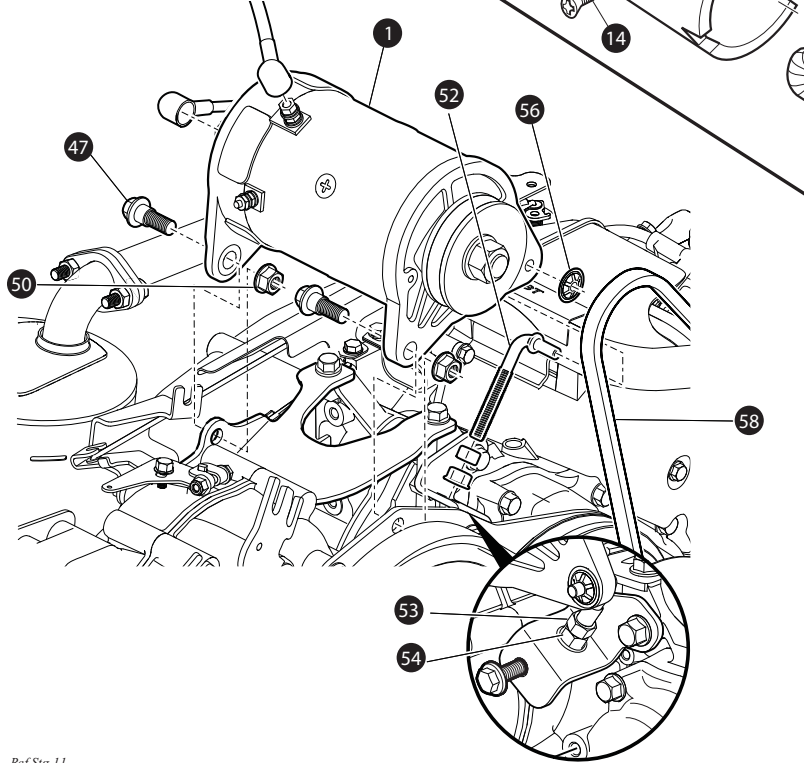
ITEM	PART NO.	1	2	3	4	5	DESCRIPTION	QTY.
32								
33								
34								
35								
36	16705G12						SCREW, 1/4 - 20 X 1" LG (STAINLESS STEEL)	4
37	00664G7						LOCK WASHER, 1/4" (STAINLESS STEEL).....	4
38	01110G01						WASHER, 1/4" (STAINLESS STEEL)	4

STARTER / GENERATOR

- 1 - Includes Items 2 - 43
- 2 - Includes Items 3 - 5
- 9 - Includes Items 10 - 13
- 17 - Includes Items 18 - 23
- 25 - Includes Items 26 - 28
- 32 - Includes Items 33 - 37
- 40 - Includes Items 41 - 43



STARTER/GENERATOR MOUNTING



Ref S1g 11

STARTER / GENERATOR

THE USE OF NON U.L. PARTS WILL VOID ANY U.L. LISTING.

When ordering parts, please specify the model and serial number of the product.

* Indicates a component that is not available as an individual part.

G** Indicates consult Customer Service Department for additional information.

ITEM	PART NO.	1	2	3	4	5	DESCRIPTION	QTY.	
1	27065G01	STARTER / GENERATOR (INCLUDES ITEMS 2 - 43).....							1
2	26870G01	ARMATURE (INCLUDES ITEMS 3 - 5)							1
3	26871G01	REAR BALL BEARING							1
4	26872G01	FRONT BALL BEARING							1
5	26873G01	BEARING HOLDER							1
6									
7									
8	26875G01	FIELD COIL							1
9	26876G01	INSULATING BRUSH ASSEMBLY ('F') (INCLUDES ITEMS 10 - 13).....							2
10	*	NUT							2
11	*	LOCK WASHER							2
12	*	WASHER							2
13	*	INSULATOR							1
14	26877G01	POLE CORE SETSCREW.....							4
15	26878G01	FRONT COVER.....							1
16	27879G01	REAR COVER							1
17	26880G01	TERMINAL ASSEMBLY ('A') (INCLUDES ITEMS 18 - 23).....							2
18	*	TERMINAL							2
19	*	INSULATOR							2
20	*	INSULATOR							2
21	*	WASHER.....							4
22	*	LOCK WASHER							4
23	*	NUT							4
24									
25	26881G01	BRUSH HOLDER ASSEMBLY (INCLUDES ITEMS 26 - 28)							1
26	26658G01	BRUSH.....							4
27	26882G01	BRUSH SPRING							4
28	26883G01	BRUSH CONNECTOR.....							2
29									
30	26884G01	KEY.....							1

STARTER / GENERATOR

THE USE OF NON U.L. PARTS WILL VOID ANY U.L. LISTING.

When ordering parts, please specify the model and serial number of the product.

* Indicates a component that is not available as an individual part.

G** Indicates consult Customer Service Department for additional information.

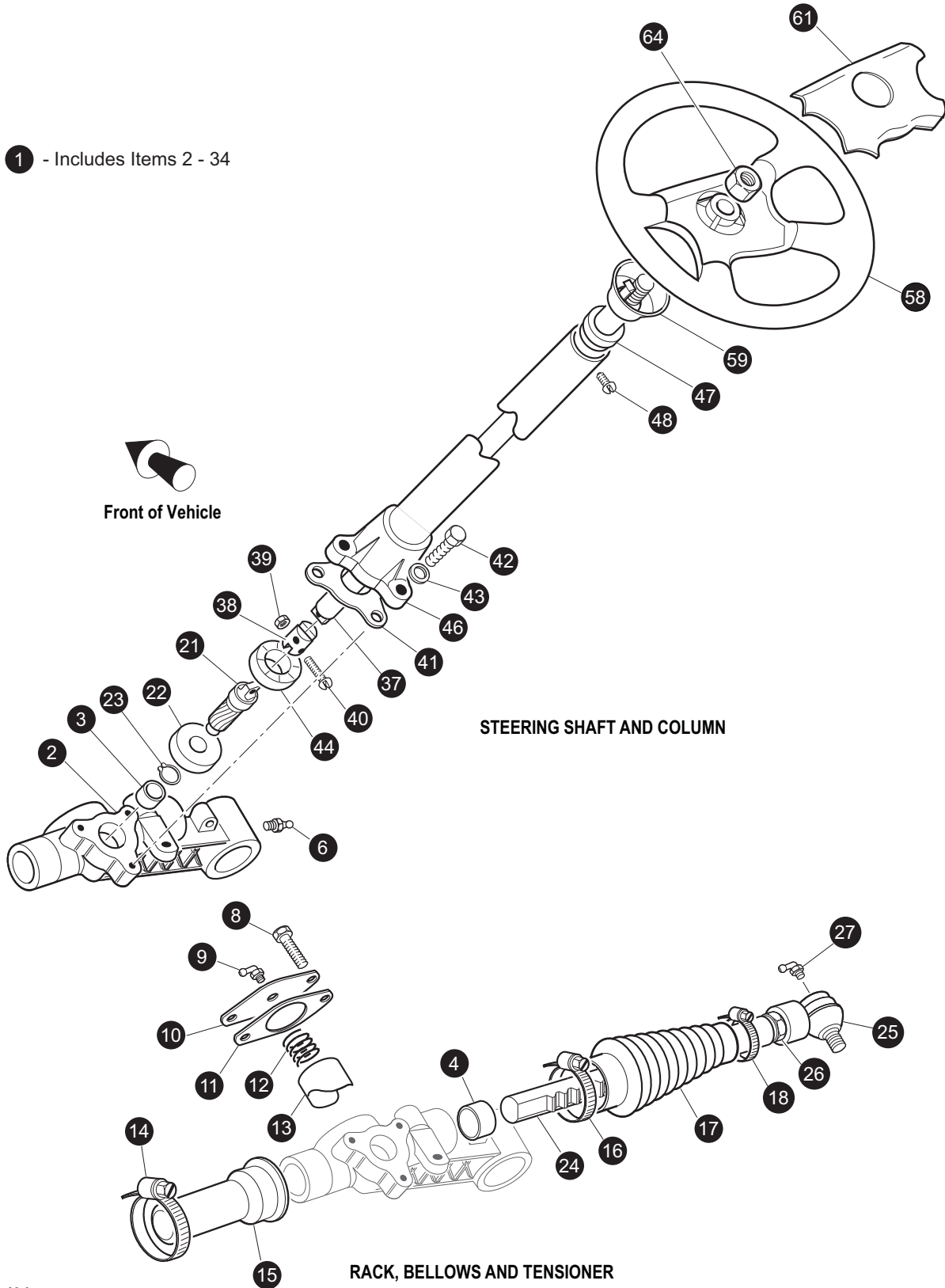
ITEM	PART NO.	1	2	3	4	5	DESCRIPTION	QTY.
31	*						PULLEY	1
32	26886G01						BRUSH AND PULLEY HARDWARE KIT (INCLUDES ITEMS 33 - 37).....	1
33	*						NUT	1
34	*						LOCK WASHER	1
35	*						SCREW	3
36	*						SCREW	4
37	*						SCREW	2
38	26887G01						BRUSH 1 COVER.....	3
39	26888G01						BRUSH 2 COVER.....	2
40	26889G01						HOUSING HARDWARE KIT (INCLUDES ITEMS 41 - 43)	2
41	*						BOLT	2
42	*						LOCK WASHER	2
43	*						WASHER.....	2
44								
45								
46								
47	606235						BOLT, 1/2 - 13 X 8" LG	2
48								
49								
50	606279						NUT, 1/2 - 13	2
51								
52	606236						STARTER / GENERATOR ADJUSTER.....	1
53	606255						JAM NUT, 3/8 - 16	1
54	606274						NUT, 3/8 - 16	1
55								
56	12064G4						PUSH NUT, 5/16"	1
57								
58	606138						STARTER / GENERATOR BELT	1

Notes:

A large grid of graph paper for taking notes, consisting of 30 columns and 30 rows of small squares.

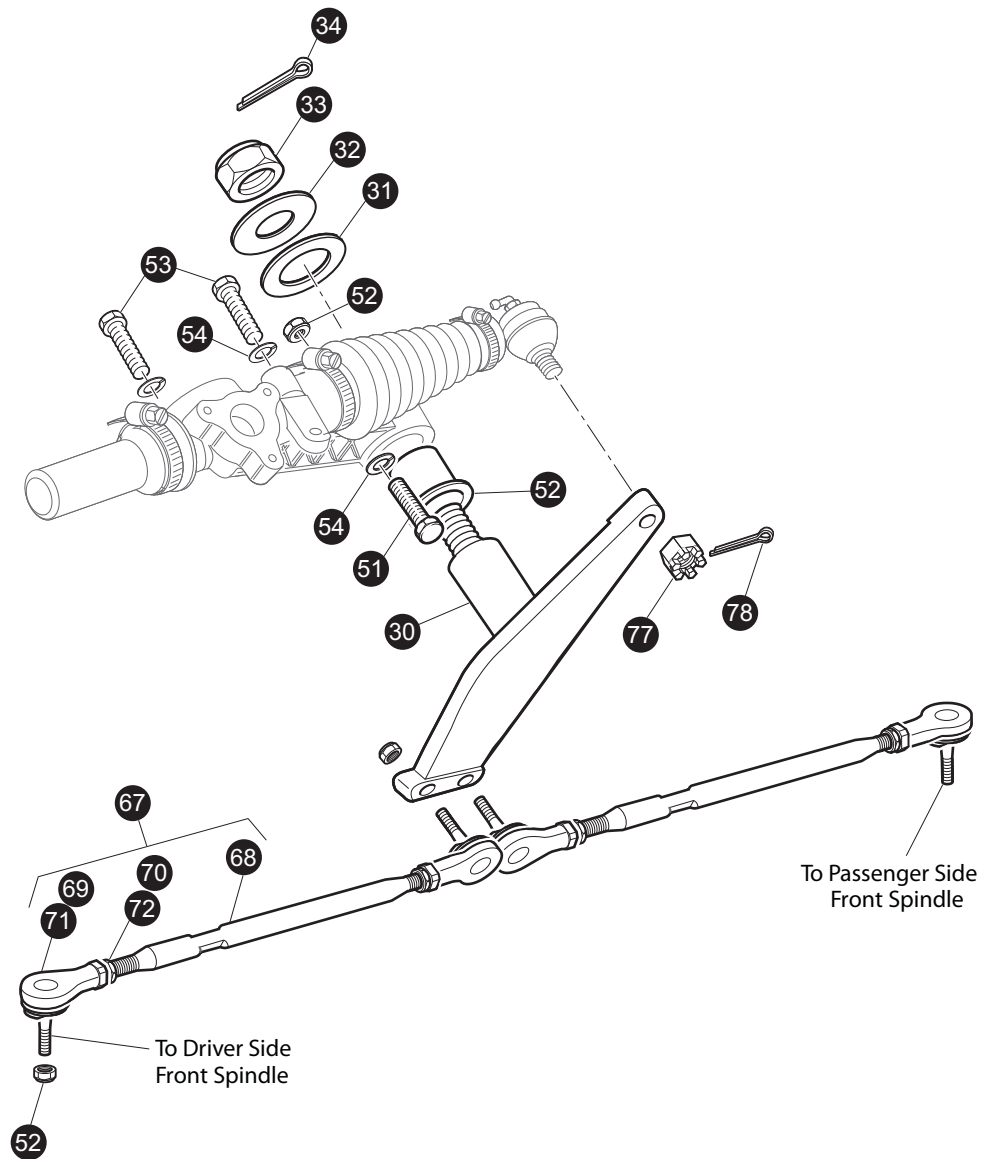
STEERING

1 - Includes Items 2 - 34



Ref Str 10-1

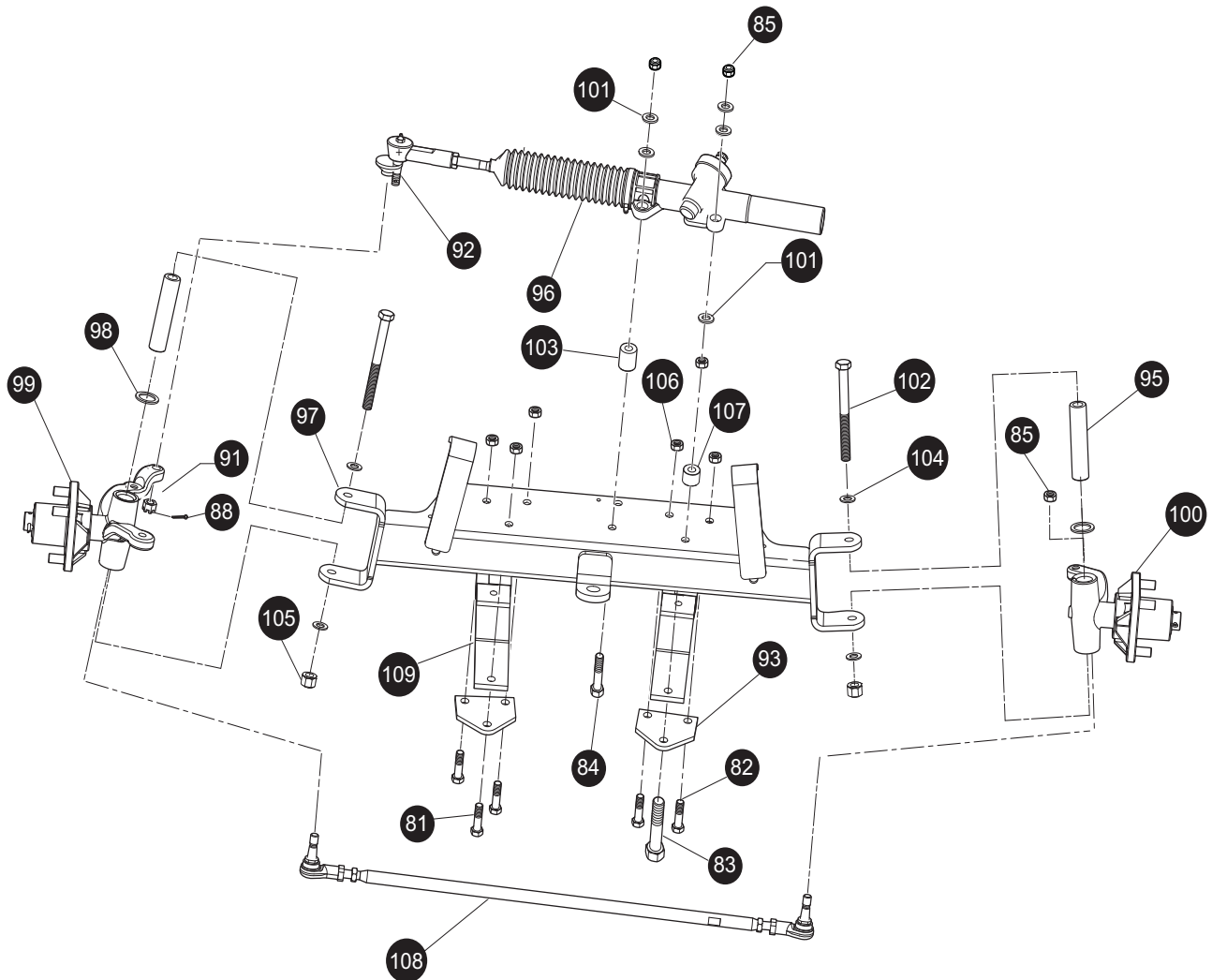
IDLER, TIE RODS AND MOUNTING



Ref Str 10-2

STEERING

81 - INCLUDES 82 - 109



When ordering parts, please specify the model and serial number of the product.

* Indicates a component that is not available as an individual part.

*** Indicates consult Customer Service Department for additional information.

ITEM	PART NO.	1	2	3	4	5	DESCRIPTION	QTY.
1	70723-G01						STEERING BOX ASSEMBLY (COMPLETE) (INCLUDES ITEMS 2 - 34)	1
2								
3	70215-G01						SLEEVE BEARING	1
4	70188-G01						SLEEVE BEARING	1
5	70185-G01						FLANGED BEARING	1
6	10389-G3						GREASE FITTING, STRAIGHT	1
7								
8	00426-G6						BOLT, 3/8 - 16 X 3/4" LG	2
9	18456-G1						GREASE FITTING, 90°	1
10	70177-G01						RACK GUIDE COVER	1
11	70225-G01						GASKET	1
12	70178-G01						COMPRESSION SPRING	1
13	70179-G01						RACK GUIDE	1
14	11391-G1						HOSE CLAMP, 1 5/16"	1
15	70041-G01						RACK COVER	1
16	11391-G1						HOSE CLAMP, 1 5/16"	1
17	70183-G01						BELLOWS	1
18	11391-G5						HOSE CLAMP, 13/16"	1
19								
20								
21	70717-G01						GEAR PINION	1
22	15112-G1						BALL BEARING	1
23	70190-G01						EXTERNAL RETAINING RING	1
24	70718-G01						STEERING RACK	1
25	70192-G01						RACK BALL END	1
26	00532-G8						JAM NUT, 7/16 - 20	1
27	18456-G1						GREASE FITTING, 90°	1
28								
29								
30	70184-G01						IDLER	1
31	70216-G01						THRUST WASHER, 1 1/2"	1

STEERING

When ordering parts, please specify the model and serial number of the product.

* Indicates a component that is not available as an individual part.

*** Indicates consult Customer Service Department for additional information.

ITEM	PART NO.	1 2 3 4 5	DESCRIPTION	QTY.
32	70195-G01		THRUST WASHER, 7/8".....	1
33	00734-G6		LOCK NUT, 7/8 - 9.....	1
34	00798-G8		COTTER PIN, 5/32" X 1 3/4" LG.....	1
35				
36				
37	14322-G6		STEERING SHAFT	1
38	70558-G01		COUPLING.....	1
39	00550-G1		LOCK NUT, 1/4 - 20.....	2
40	70227-G01		SCREW, 1/4 - 20 X 7/8" LG.....	2
41	70223-G01		GASKET	1
42	01034-G01		BOLT, 3/8 - 16 X 1 1/4" LG WITH PATCHLOCK.....	3
43	00878-G1		LOCK WASHER, 3/8".....	3
44	70466-G01		RETAINER.....	1
45				
46	70721-G01		STEERING COLUMN.....	1
47	28569-G01		STEERING COLUMN BUSHING	1
48	01022-G01		SCREW, #6 - 20 X 5/16" LG.....	1
49				
50				
51	00470-G4		BOLT, 7/16 - 20 X 2 1/2" LG	1
52	00734-G3		LOCK NUT, 7/16 - 20.....	1
53	01033-G01		BOLT, 7/16 - 14 X 1 1/4" LG WITH PATCHLOCK.....	2
54	00566-G2		LOCK WASHER, 7/16"	3
55				
56				
57				
58	602980		STEERING WHEEL	1
59				
60				
61	71147-G01		COVER.....	1
62				

When ordering parts, please specify the model and serial number of the product.

* Indicates a component that is not available as an individual part.

*** Indicates consult Customer Service Department for additional information.

ITEM	PART NO.	1 2 3 4 5	DESCRIPTION	QTY.
63				
64	14390-G2		LOCK NUT, 5/8 - 18	1
65				
66				
67	70904-G04		TIE ROD ASSEMBLY (INCLUDES ITEMS 68 - 72).....	2
68	70855-G03		THREADED ROD (10 1/8" LG)	1
69	70902-G01		TIE ROD END (LEFT HAND THREADS).....	1
70	01069-G01		JAM NUT, M12 X 1.25-05 (LEFT HAND THREADS)	1
71	70902-G02		TIE ROD END (RIGHT HAND THREADS)	1
72	01069-G02		JAM NUT, M12 X 1.25-05 (RIGHT HAND THREADS).....	1
73				
74	00734-G1		LOCK NUT, 7/16 - 14	4
75				
76				
77	50209-G2		CASTELLATED NUT, 7/16 - 20.....	1
78	10387-G2		COTTER PIN, 3/32" X 1" LG.....	1
79				
80				
81	74599G02		STEERING (INCLUDES ITEMS 82 - 109) (ST SPORT II CARB)	1
82	00463G11		SCREW, CAP	11
83	01068G01		SCREW, HEX CAP.....	1
84	00464G6		SCREW	2
85	00734G1		NUT, NYLOK	16
86				
87				
88	10387G2		COTTER PIN.....	1
89				
90				
91	50209G2		NUT, HEX SLOTTED.....	1
92	50641G1		BOOT, RUBBER.....	1
93	70163G03		PLATE, SPRING.....	4

STEERING

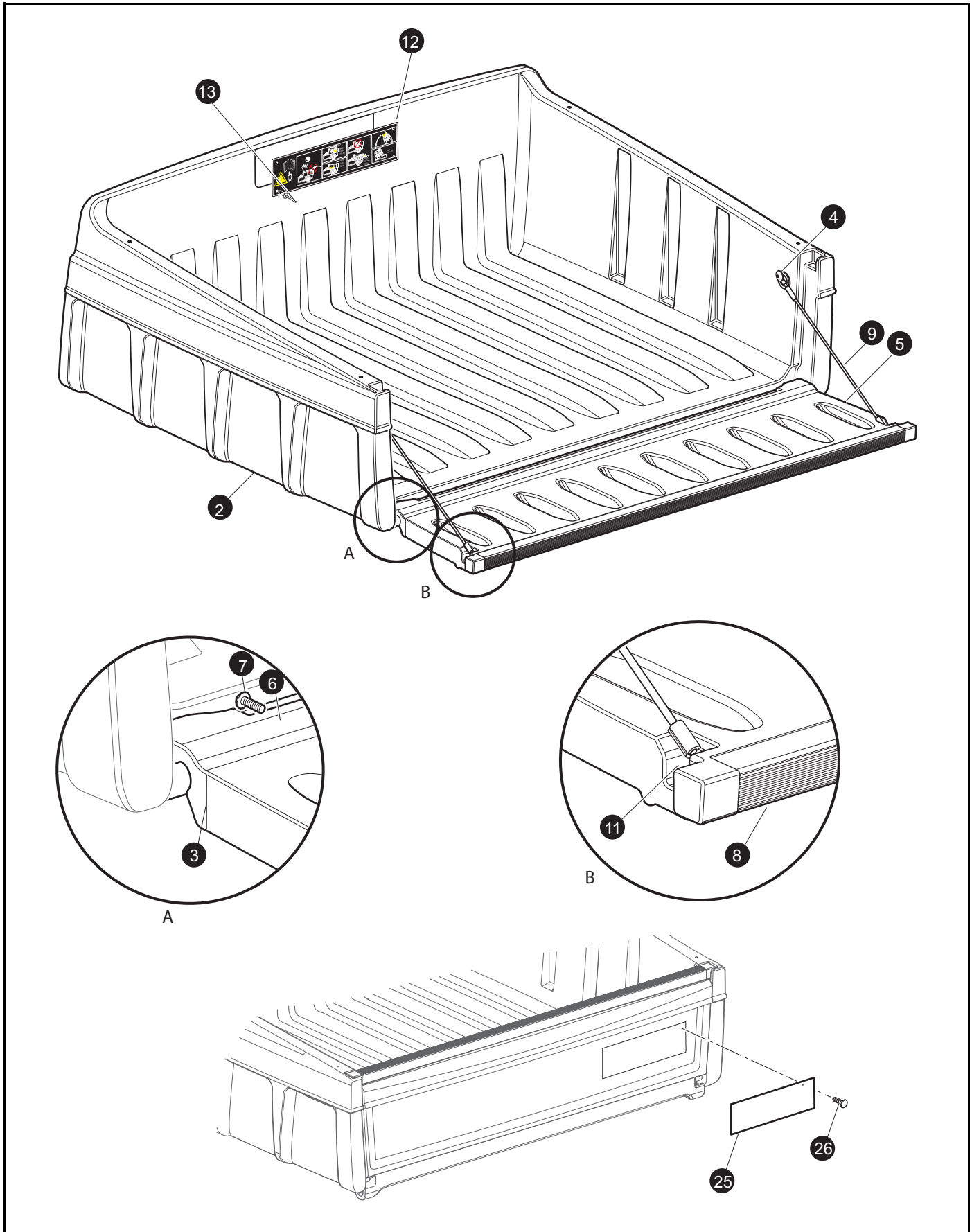
When ordering parts, please specify the model and serial number of the product.

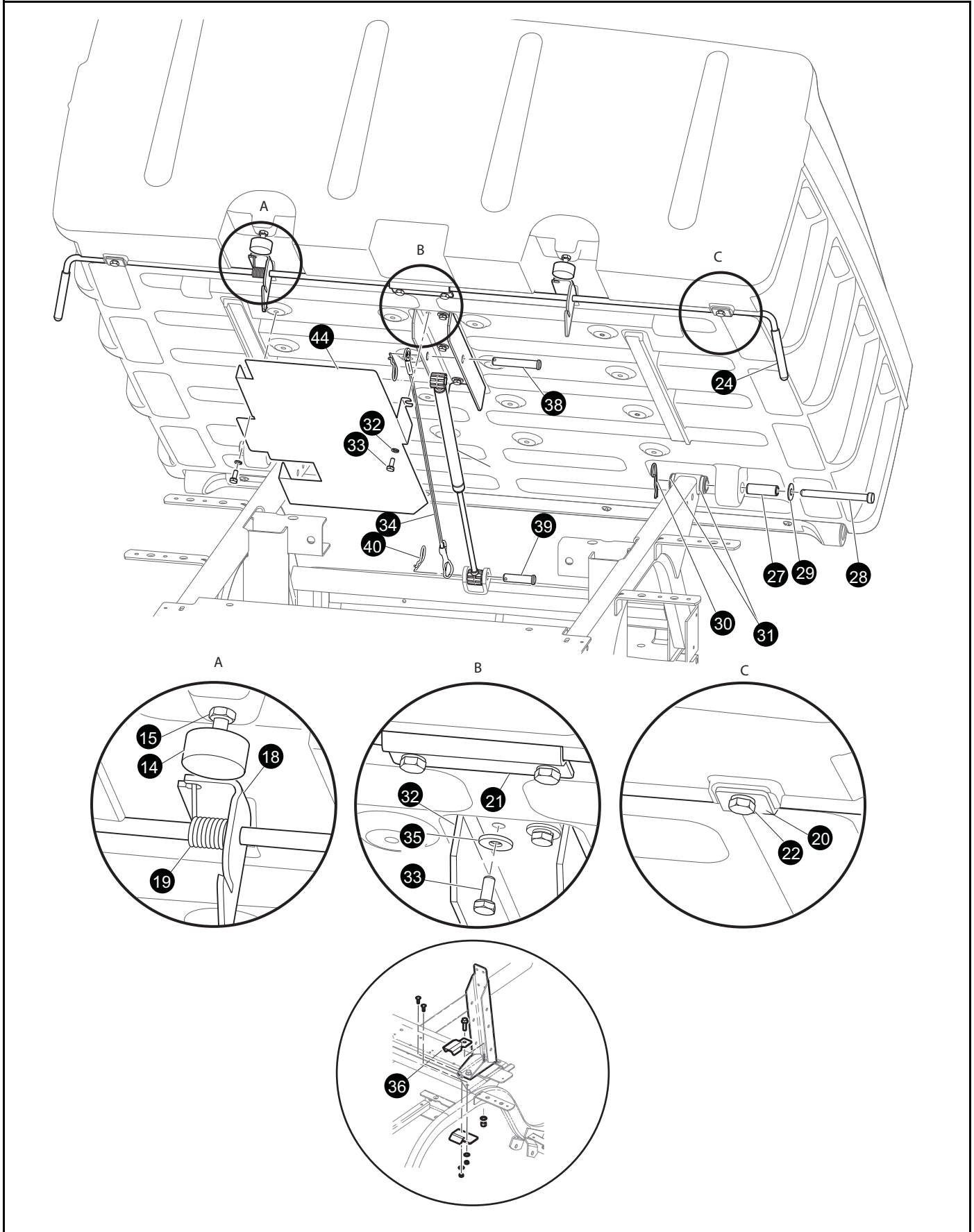
* Indicates a component that is not available as an individual part.

*** Indicates consult Customer Service Department for additional information.

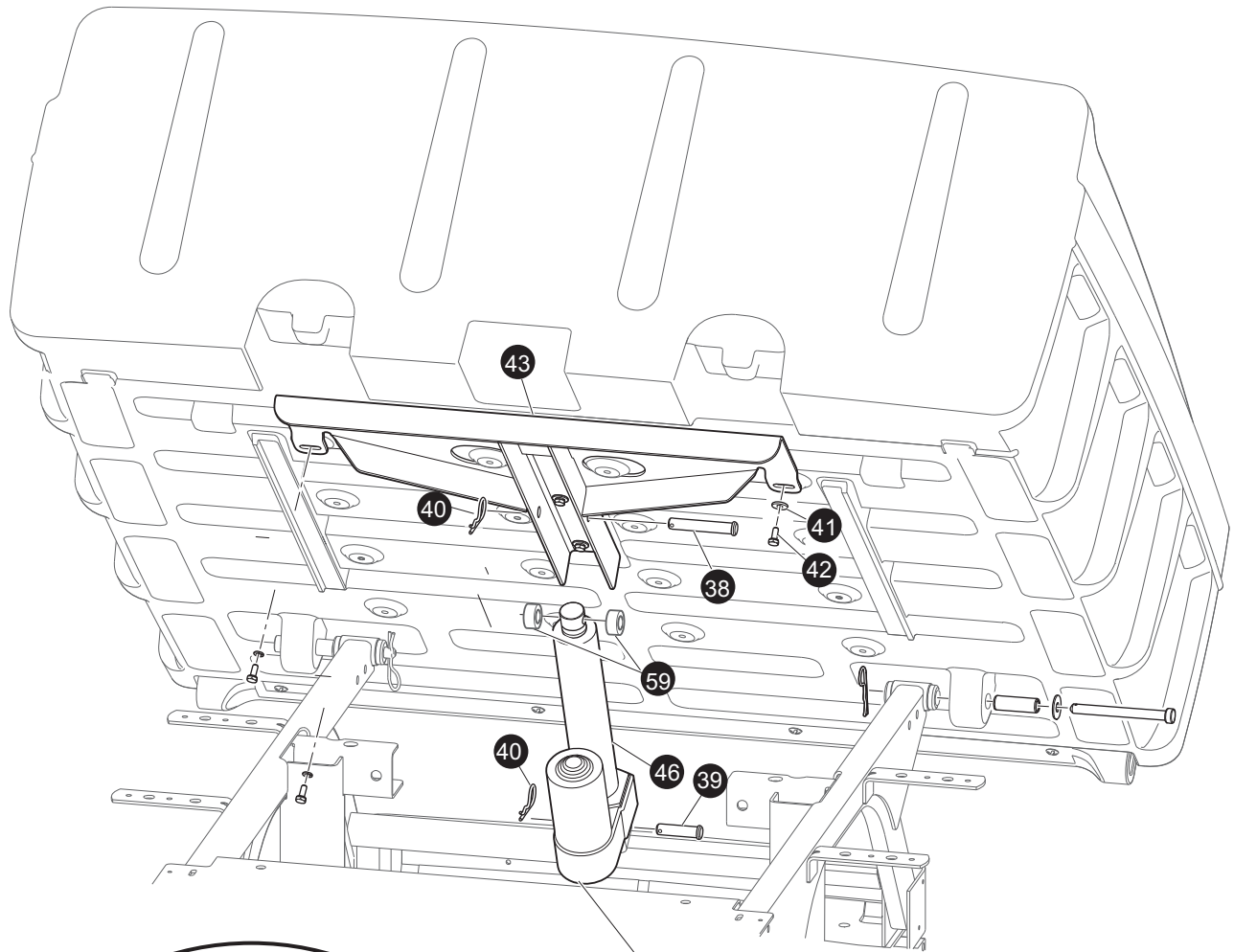
ITEM	PART NO.	1	2	3	4	5	DESCRIPTION	QTY.
94								
95	70745G01						KINGPIN TUBE.....	2
96	74605G01						STEERING BOX ASSEMBLY	1
97	602512						FRONT AXLE WELDMENT	1
98	70754G01						WASHER, THRUST, SS	2
99	70942G03						SPINDLE ASSEMBLY PASSENGER SIDE	1
100	70673G03						SPINDLE ASSEMBLY DRIVER SIDE.....	1
101	00560G2						FLAT WASHER	7
102	00407G6						CAPSCREW	2
103	70667G02						SPACER.....	2
104	00560G3						WASHER, FLAT	4
105	14390G6						NUT, NYLOK.....	2
106	00532G7						NUT, HEX.....	1
107	70667G03						SPACER.....	1
108	74604G01						TIE ROD ASSEMBLY	1
109	70989G03						SPRING, FRONT	2

TRUCK BED 350

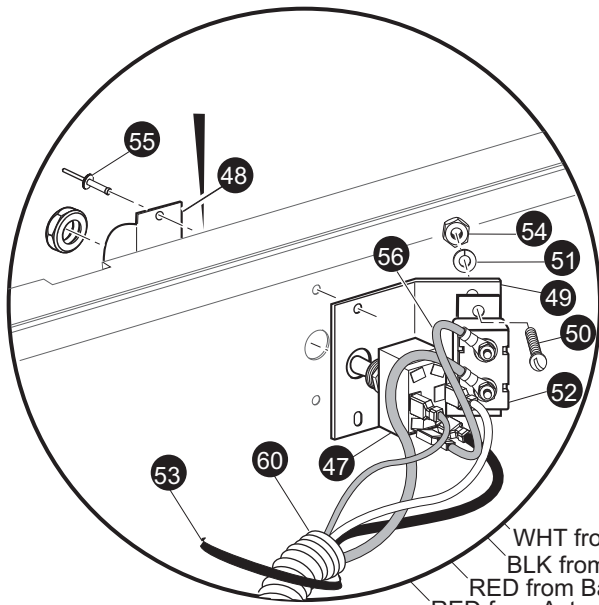




TRUCK BED 350



Actuator may be rotated 90°
on some models



WHT from Actuator
BLK from Battery
RED from Battery
RED from Actuator



When ordering parts, please specify the model and serial number of the product.

* Indicates a component that is not available as an individual part.

*** Indicates consult Customer Service Department for additional information.

ITEM	PART NO.	1 2 3 4 5	DESCRIPTION	QTY.
1	73451-G01		BED ASSEMBLY, 40" (INCLUDES ITEMS 2 -11)	1
2	73447-G01		PLASTIC BED, 40"	1
3	73454-G01		PIVOT SHAFT	2
4	73460-G01		SHOULDER BOLT, 1/4 - 20 X 3/4" LG	2
5	73455-G01		TAILGATE CABLE	1
6	73450-G01		BOWED ANGLE	1
7	16705-G2		SCREW, 1/4 - 20 X 5/8" LG (STAINLESS STEEL)	4
8	73449-G01		EXTRUSION CHANNEL	1
9	16818-G5		RATCHET FASTENER	4
10				
11	00415-G2		SCREW, 1/4 - 20 X 5/8" LG	2
12	74821-G01		BED CAPACITY LABEL	1
13	71055-G01		RIVET, 3/16" X 1" LG (ALUMINUM).....	5
14	70113-G01		ADJUSTABLE RUBBER BUMPER.....	2
15	11027-G1		LOCK NUT, 5/16 - 18	2
16				
17				
18	74962-G01		BED LATCH	1
19	71538-G01		LATCH TORSION SPRING	1
20	71099-G02		PLATE, LATCH	2
21	71477-G02		RETAINER BRACKET	1
22	01118-G01		SCREW, 1/4 - 20 X 5/8" LG	4
23				
24	71704-G01		HANDLE GRIP	2
25	600110-G01		LABEL	1
26	16816-G2		RATCHET FASTNER.....	4
27	71570-G01		BUSHING.....	2
28	71571-G01		CLEVIS PIN	2
29	00571-G5		WASHER, 1 1/4 X 7/16.....	2
30	21683-G1		HAIR CLIP.....	2
31	70291-G01		BUSHING.....	4

TRUCK BED 350

When ordering parts, please specify the model and serial number of the product.

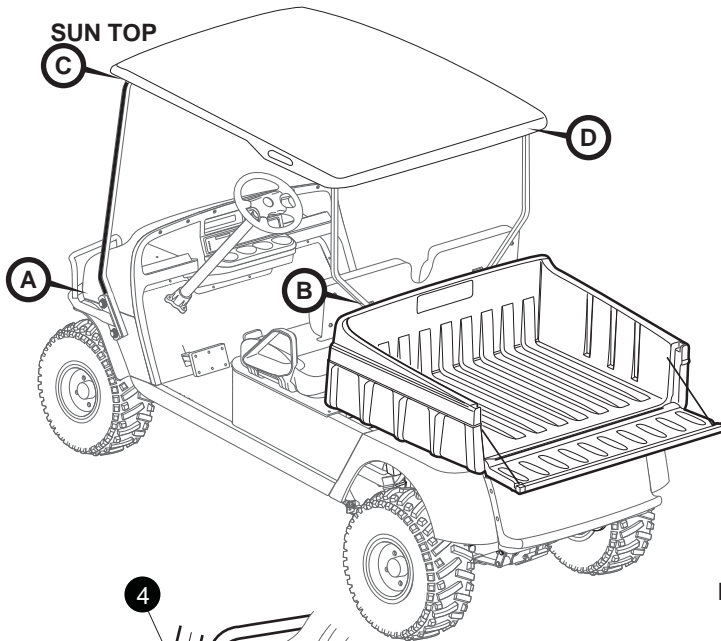
* Indicates a component that is not available as an individual part.

*** Indicates consult Customer Service Department for additional information.

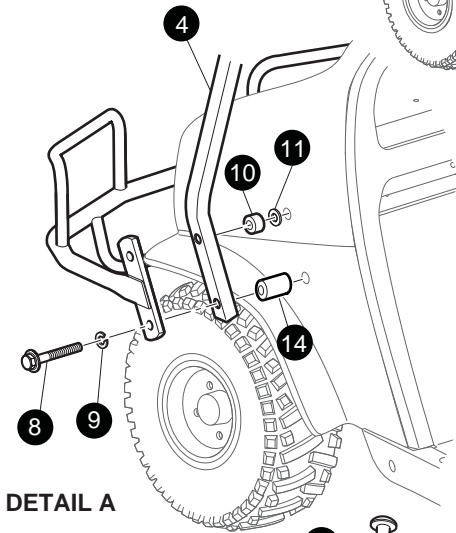
ITEM	PART NO.	1 2 3 4 5	DESCRIPTION	QTY.
32	71569-G02		SPRING CHANNEL.....	1
33	01118-G01		SCREW, 1/4 - 20 X 5/8" LG.....	8
34	602904		BED TETHER CABLE	1
35	00642-G7		WASHER, 1/4".....	8
36	74947-G01		BRACKET, BUMPER.....	2
37	71537-G02		GAS SPRING	2
38	14443-G10		CLEVIS PIN, 1/2" X 2 27/32" LG	1
39	14443-G12		CLEVIS PIN, 1/2" X 1 3/4" LG	1
40	21683-G1		HAIR CLIP	2
41	00642-G7		WASHER, 1/4".....	8
42	01118-G01		SCREW, 1/4 - 20 X 5/8" LG.....	8
43	71547-G02		OUTRIGGER CHANNEL.....	1
44	72339-G02		PLASTIC BED HEAT SHIELD (GASLONE VEHICLES ONLY).....	1
45	74164-G04		ELECTRIC DUMP KIT (INCLUDES ITEMS 37 - 54).....	1
46	27612-G02		ELECTRIC ACTUATOR, 12 VOLT, 1500 LBS	1
47	27680-G01		TOGGLE SWITCH.....	1
48	27447-G01		TOGGLE GUARD	1
49	74165-G02		CIRCUIT BREAKER MOUNTING BRACKET.....	1
50	00150-G4		SCREW, 10 - 24 X 1/2" LG	2
51	00565-G5		LOCK WASHER, #10.....	2
52	21320-G4		CIRCUIT BREAKER 15A 24V.....	1
53	17618-G1		WIRE TIE	8
54	00526-G3		NUT, #10 - 24.....	2
55	10570-G9		RIVET, 5/32 X .55.....	2
56	25976-G14		14 GA WIRE (RED 5")	1
57				
58				
59	27613-G01		SPACER.....	2
60	74613-G01		HARNESS.....	1

WEATHER PROTECTION

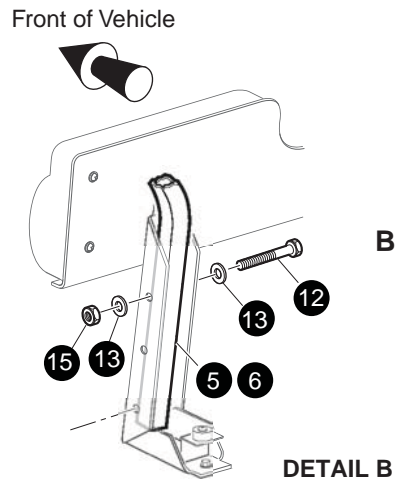
SUN TOP CAP (CAMO)



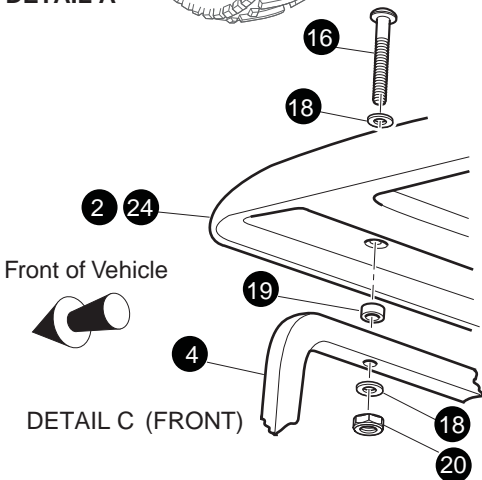
- 1 - Includes Items 2 - 21
- 3 - Includes Items 4 - 21
- 7 - Includes Items 8 - 21



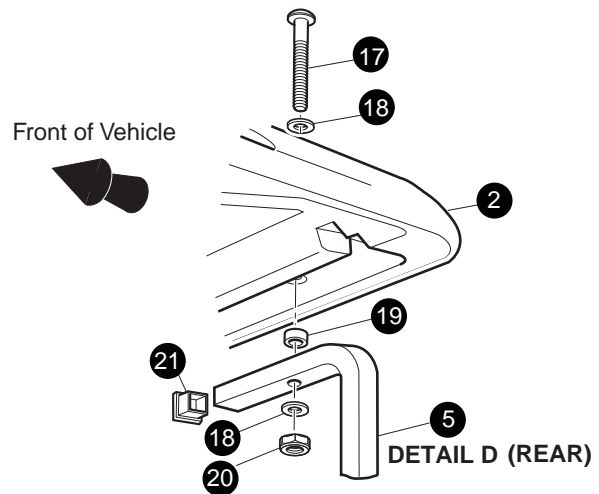
DETAIL A



DETAIL B



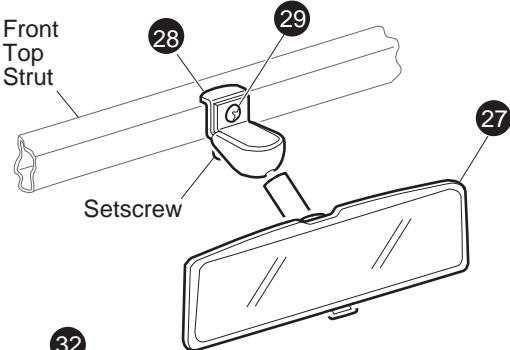
DETAIL C (FRONT)



DETAIL D (REAR)

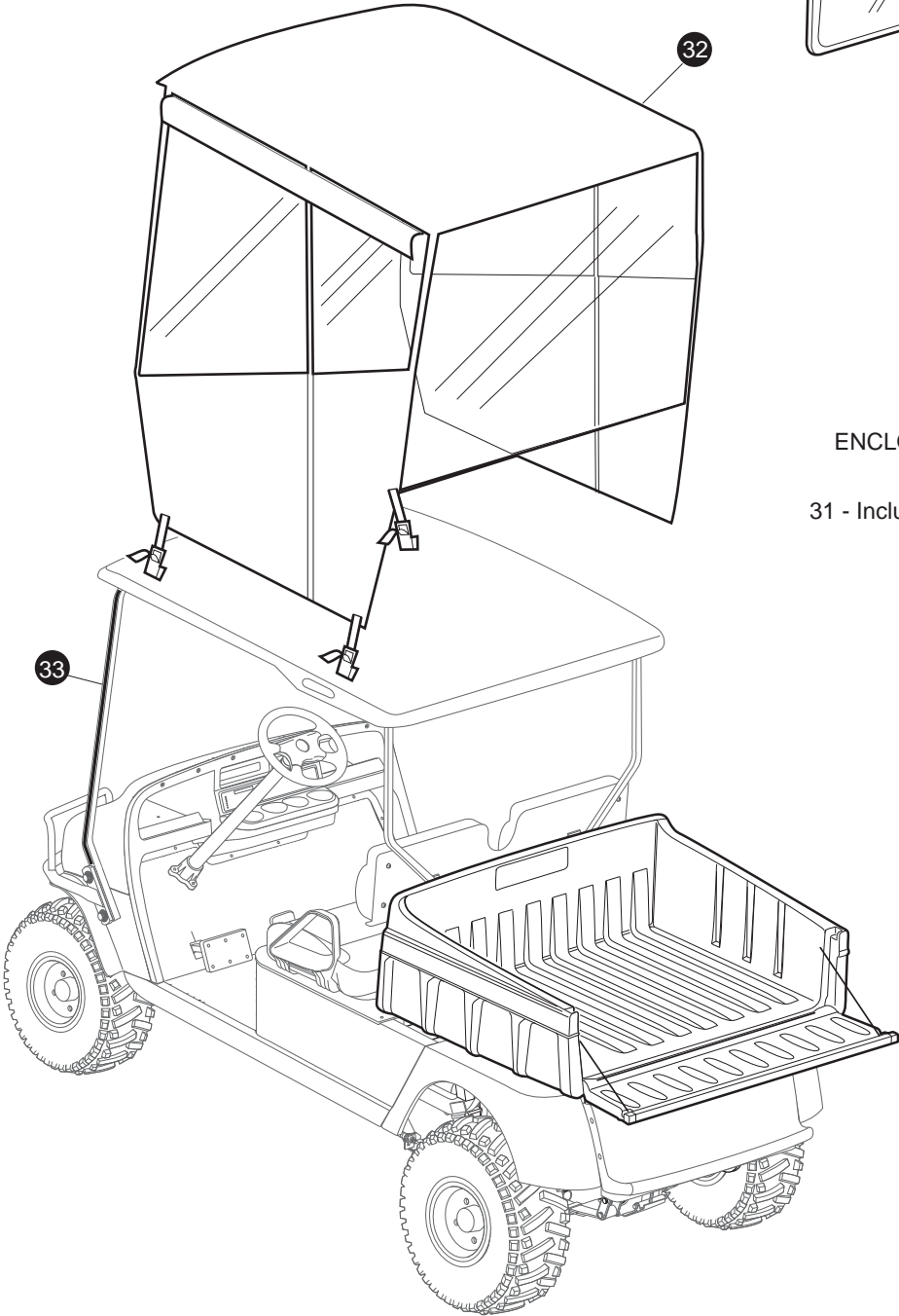
REAR VIEW MIRROR

26 - Includes Items 27 - 29



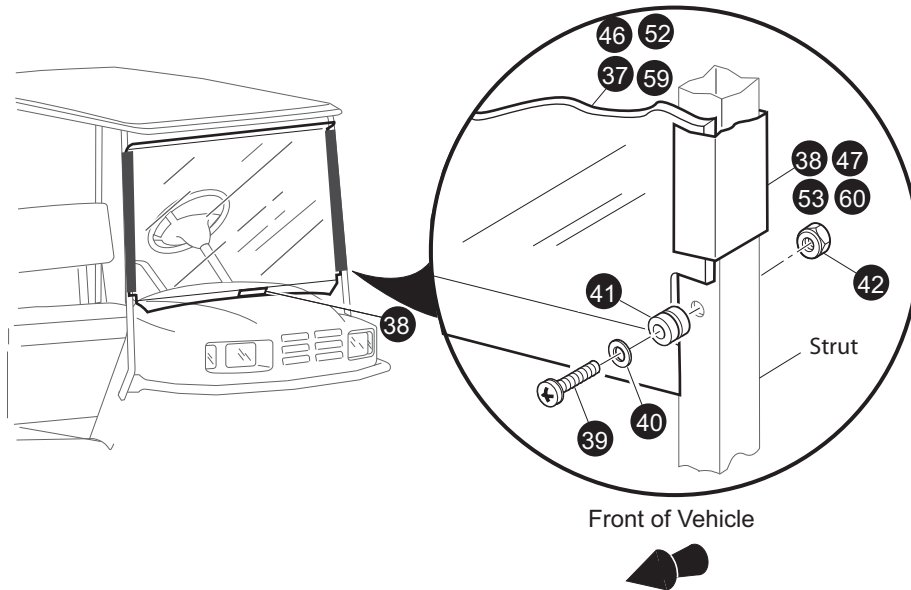
ENCLOSURE

31 - Includes Items 32, 33

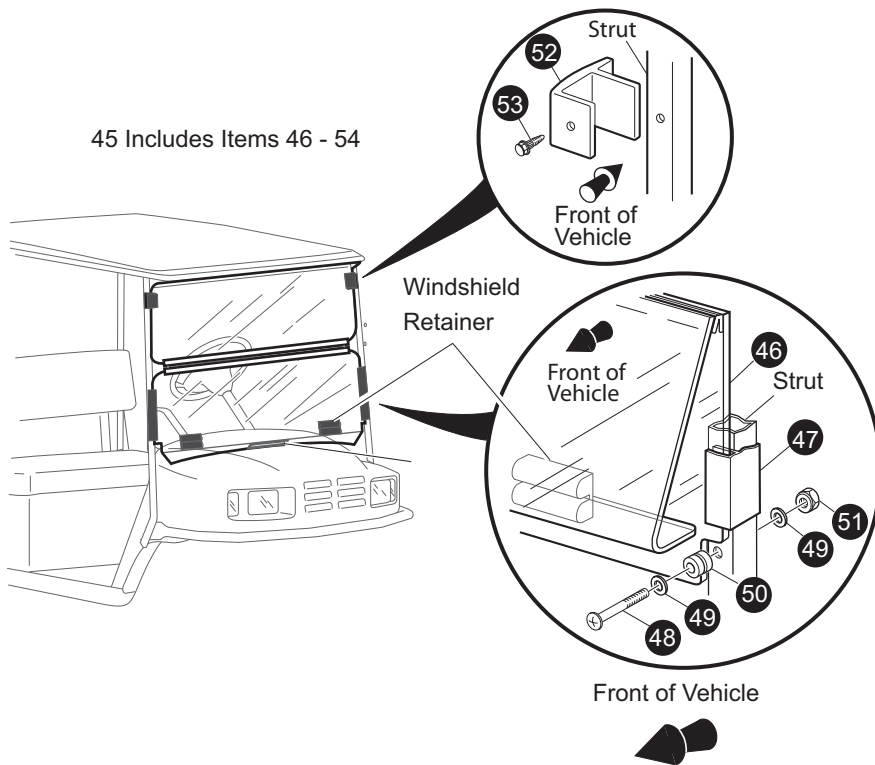


WEATHER PROTECTION

- 36 - Includes 37 - 43
- 45 - Includes 46 - 47 and 39 - 43
- 51 - Includes 52 - 53 and 39 - 43
- 51 - Includes 59 - 60 and 39 - 43

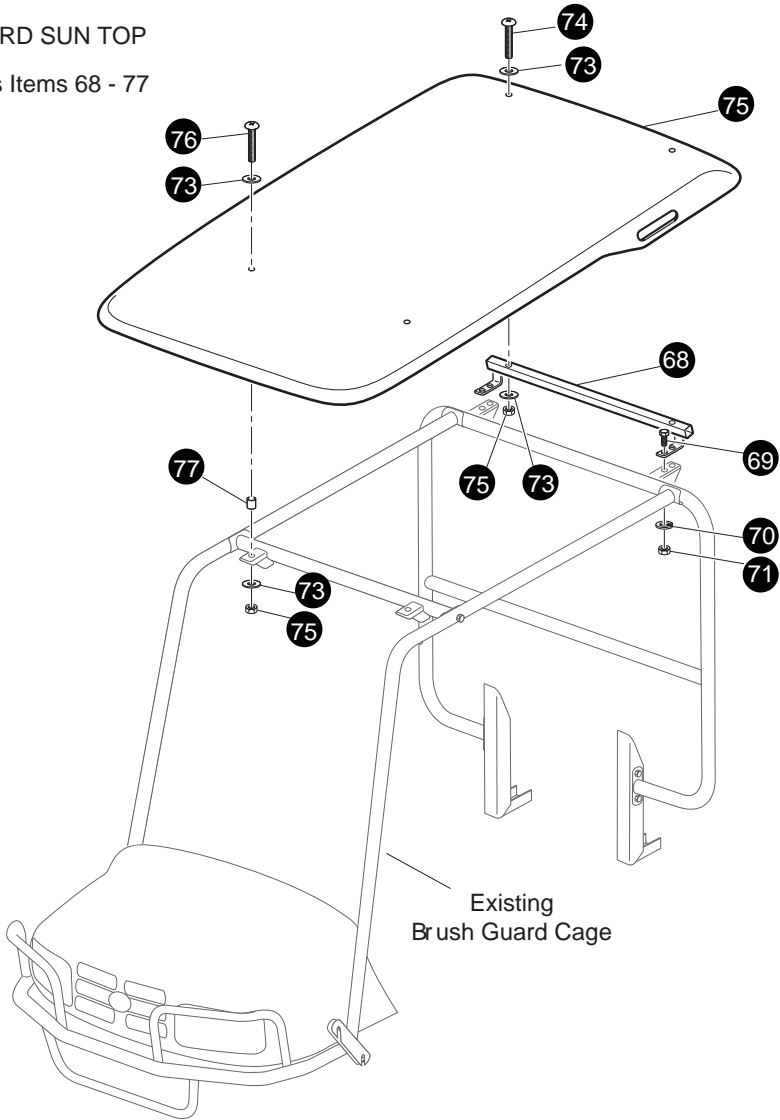


45 Includes Items 46 - 54

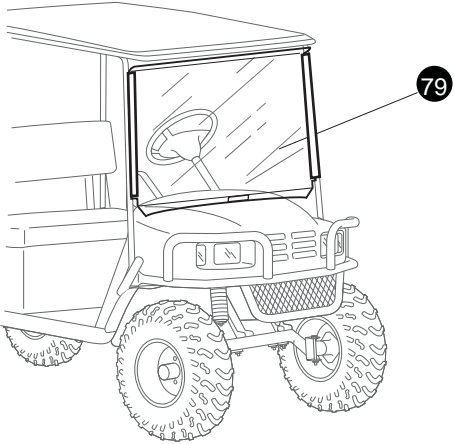


BRUSHGUARD SUN TOP

67 - Includes Items 68 - 77



BRUSHGUARD WINDSHIELD



WEATHER PROTECTION

When ordering parts, please specify the model and serial number of the product.

* Indicates a component that is not available as an individual part.

*** Indicates consult Customer Service Department for additional information.

ITEM	PART NO.	1	2	3	4	5	DESCRIPTION	QTY.
1	75040-G0*						SUN TOP KIT (INCLUDES ITEMS 2 -21)	1
2	27069-G0*						SUN TOP	1
3	75044-G06						HARDWARE KIT (INCLUDES ITEMS 4 - 21)	1
4	75045-G05						FRONT STRUT	1
5	75838-G03						REAR STRUT (DRIVER SIDE)	1
6	75838-G04						REAR STRUT (PASSENGER SIDE).....	1
7	75465-G01						FASTENING HARDWARE KIT (INCLUDES ITEMS 8 - 21)	1
8	00440-G2						BOLT, 5/16 - 18 X 2 1/4" LG.....	4
9	00905-G8						LOCK WASHER, 5/16"	4
10	75048-G01						SPACER, 1/2"	2
11	00570-G2						WASHER, 5/16"	6
12	00685-G7						BOLT, 5/16 - 18 X 1 3/4" LG (STAINLESS STEEL)	4
13	01110-G03						WASHER, 5/16" (STAINLESS STEEL).....	8
14	75048-G04						SPACER.....	2
15	01109-G01						LOCK NUT, 5/16 - 18 (STAINLESS STEEL).....	4
16	00753-G5						SCREW, 1/4 - 20 X 2" LG (STAINLESS STEEL).....	2
17	00753-G6						SCREW, 1/4 - 20 X 2 1/4" LG (STAINLESS STEEL).....	2
18	01110-G01						WASHER, 1/4" (STAINLESS STEEL).....	8
19	75051-G01						PLASTIC SPACER.....	4
20	00891-G2						LOCK NUT, 1/4 - 20 (STAINLESS STEEL).....	4
21	19853-G1						END CAP, 1"	2
22								
23								
24								
25								
26	19528-G2						REAR VIEW MIRROR KIT (INCLUDES ITEMS 27 - 29)	1
27	19496-G1						REAR VIEW MIRROR	1
28	19502-G2						SUPPORT BRACKET.....	1
29	19527-G1						SCREW, #8 - 32 X 5/8" LG (STAINLESS STEEL).....	1
30								
31	75367-G**						3 SIDED SOFT ENCLOSURE KIT (INCLUDES ITEMS 32 - 33)	1

WEATHER PROTECTION

When ordering parts, please specify the model and serial number of the product.

* Indicates a component that is not available as an individual part.

*** Indicates consult Customer Service Department for additional information.

ITEM	PART NO.	1 2 3 4 5	DESCRIPTION	QTY.
32	*		ENCLOSURE	1
33	*		VELCRO	AR
34				
35				
36	71966-G01		WINDSHIELD KIT (FULL)(REQUIRES SUN TOP KIT) (INCLUDES ITEMS 37- 43).....	1
37	71954-G01		WINDSHIELD (FULL) (LEXAN).....	1
38	75528-G01		SASH, 26" LG.....	2
39	71956-G03		SCREW, 1/4 - 20 X 1 3/4" LG (STAINLESS STEEL)	2
40	71956-G04		WASHER, 1/4" (STAINLESS STEEL)	4
41	71956-G06		RUBBER GROMMET	2
42	71956-G05		LOCK NUT, 1/4 - 20 (STAINLESS STEEL)	2
43	EGWHL14		SAFETY LABEL (NOT ILLUSTRATED)	1
44				
45	71966-G02		WINDSHIELD KIT (FOLD DOWN) (REQUIRES SUN TOP KIT) (INCLUDES ITEMS 46 - 47 AND 39 - 43).....	1
46	71955-G01		WINDSHIELD (SPLIT) (LEXAN)	1
47	75528-G02		SASH, 12" LG.....	2
48				
49				
50				
51	71966-G03		WINDSHIELD KIT (FULL) (REQUIRES SUN TOP KIT) (INCLUDES ITEMS 52 - 53 AND 39 - 43).....	1
52	71960-G01		WINDSHIELD (FULL).....	1
53	75528-G01		SASH, 26" LG.....	2
54				
55				
56				
57				
58	71966-G04		WINDSHIELD KIT (FOLD DOWN)(REQUIRES SUN TOP KIT) (INCLUDES ITEMS 59 - 60 AND 39 - 43).....	1
59	71961-G01		WINDSHIELD (SPLIT).....	1

WEATHER PROTECTION

When ordering parts, please specify the model and serial number of the product.

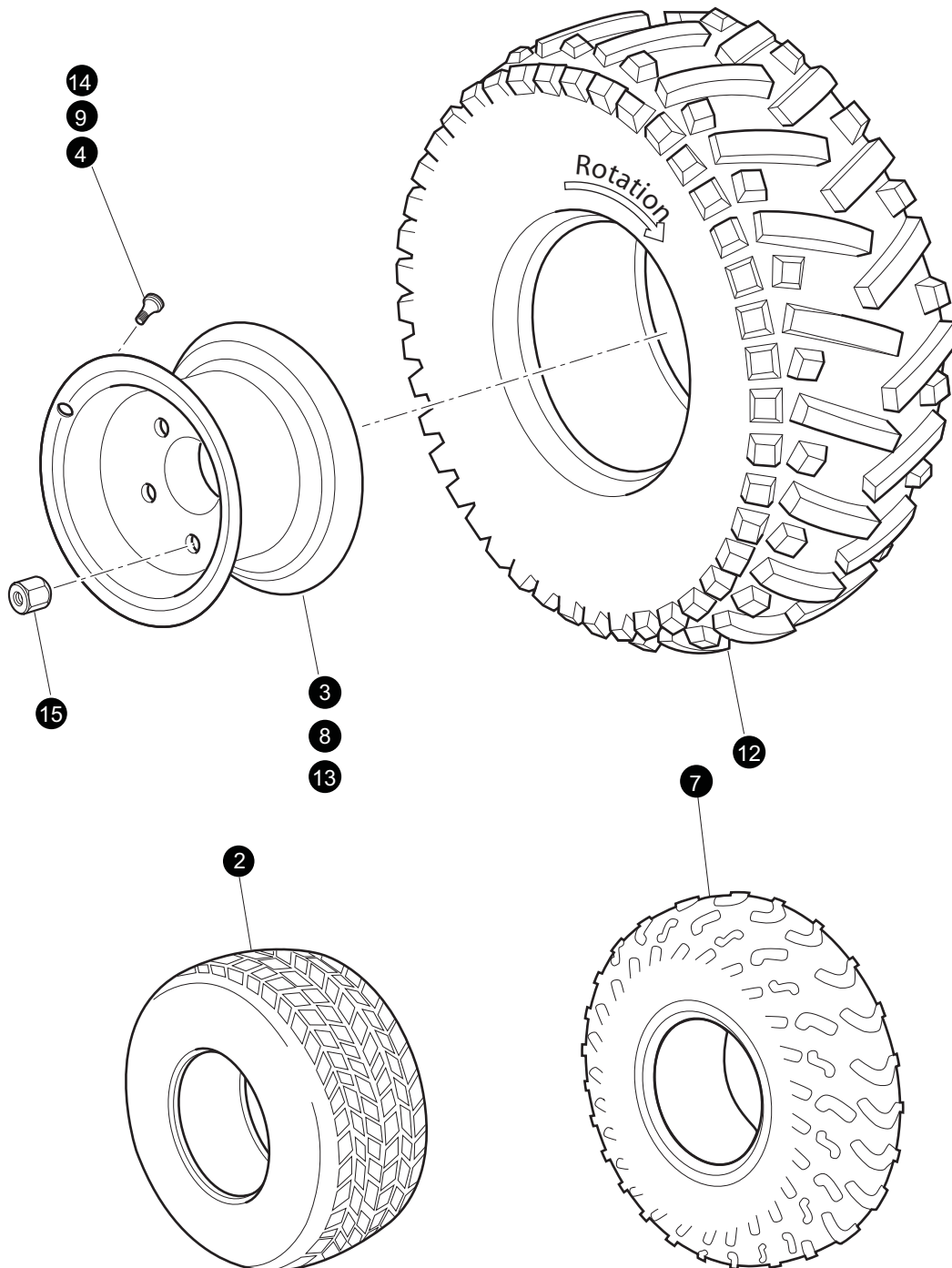
* Indicates a component that is not available as an individual part.

*** Indicates consult Customer Service Department for additional information.

ITEM	PART NO.	1	2	3	4	5	DESCRIPTION	QTY.
60	EGWHC10						SASH, 12" LG	2
61								
62								
63								
64								
65								
66								
67	74496-G0*						SUN TOP KIT (WITH BRUSH GUARD) (INCLUDES ITEMS 68 - 77)	1
68	74466-G01						MOUNTING BRACKET.....	1
69	00438-G5						BOLT, 5/16 - 18 X 5/8" LG.....	4
70	00565-G8						LOCK WASHER, 5/16"	4
71	00532-G3						NUT, 5/16 - 18.....	4
72	74497-G0*						SUN TOP	1
73	00559-G7						WASHER, 1/4" (STAINLESS STEEL).....	8
74	00753-G6						SCREW, 1/4 - 20 X 2 1/4" LG (STAINLESS STEEL).....	2
75	00891-G2						LOCK NUT, 1/4 - 20 (STAINLESS STEEL).....	4
76	00753-G7						SCREW, 1/4 - 20 X 2 1/2" LG (STAINLESS STEEL).....	2
77	74469-G01						SPACER.....	2
78								
79	74542-G01						WINDSHIELD KIT (WITH BRUSH GUARD) (INCLUDES ITEMS 80 - 85) (Replacement Parts available from Eagle Parts, 706-790-6687)	1

WHEELS AND TIRES

- 1 - Includes Items 2 - 4
- 5 - Includes Items 7 - 9
- 6 - Includes Items 7 - 9
- 10- Includes Items 12 - 14
- 11- Includes Items 12 - 14
- (Style of tire may differ from tire shown)



WHEELS AND TIRES

When ordering parts, please specify the model and serial number of the product.

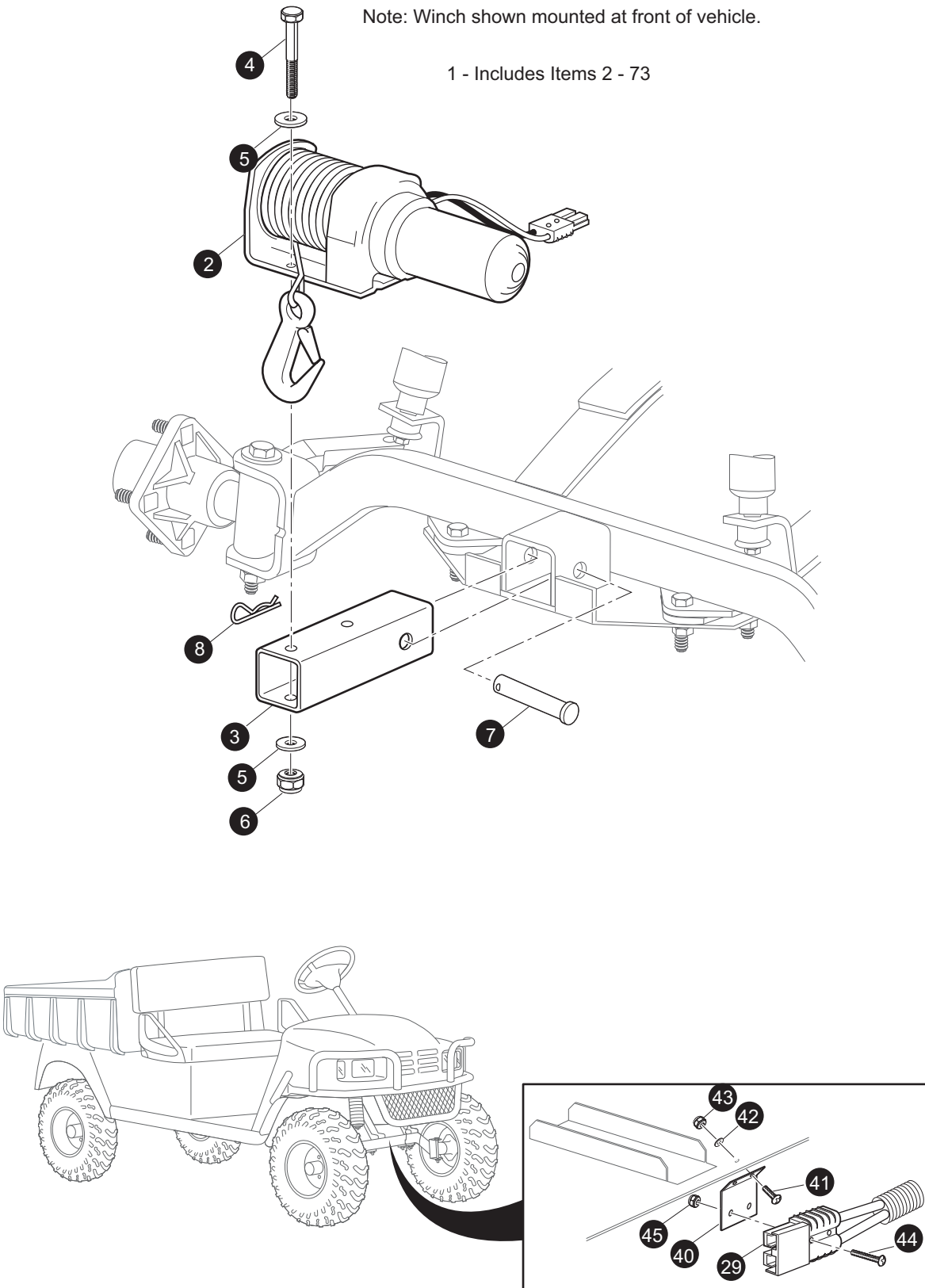
* Indicates a component that is not available as an individual part.

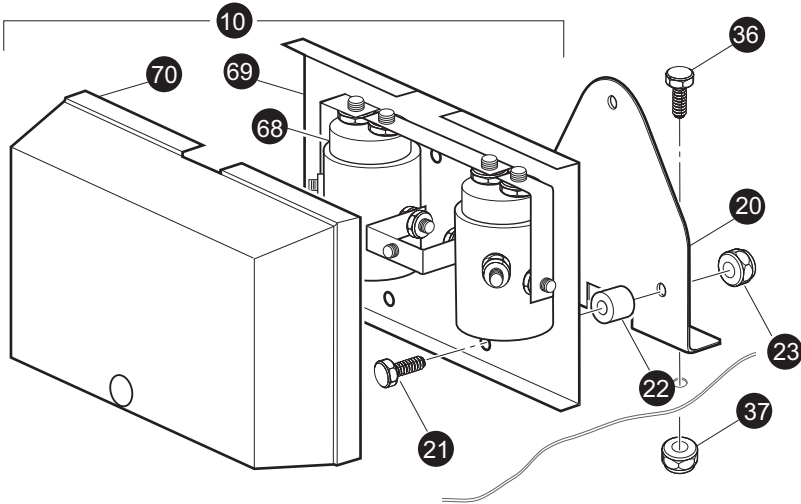
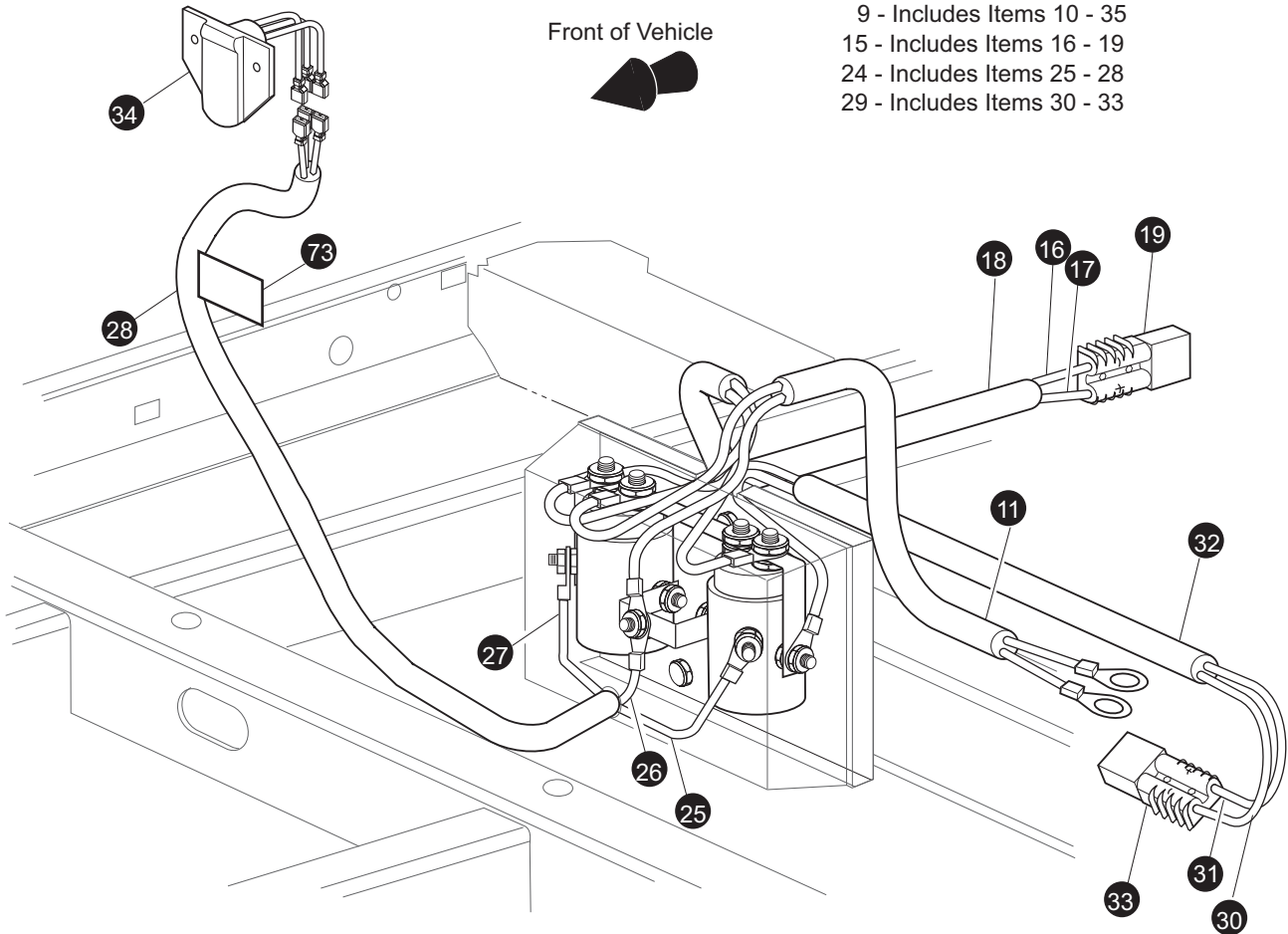
*** Indicates consult Customer Service Department for additional information.

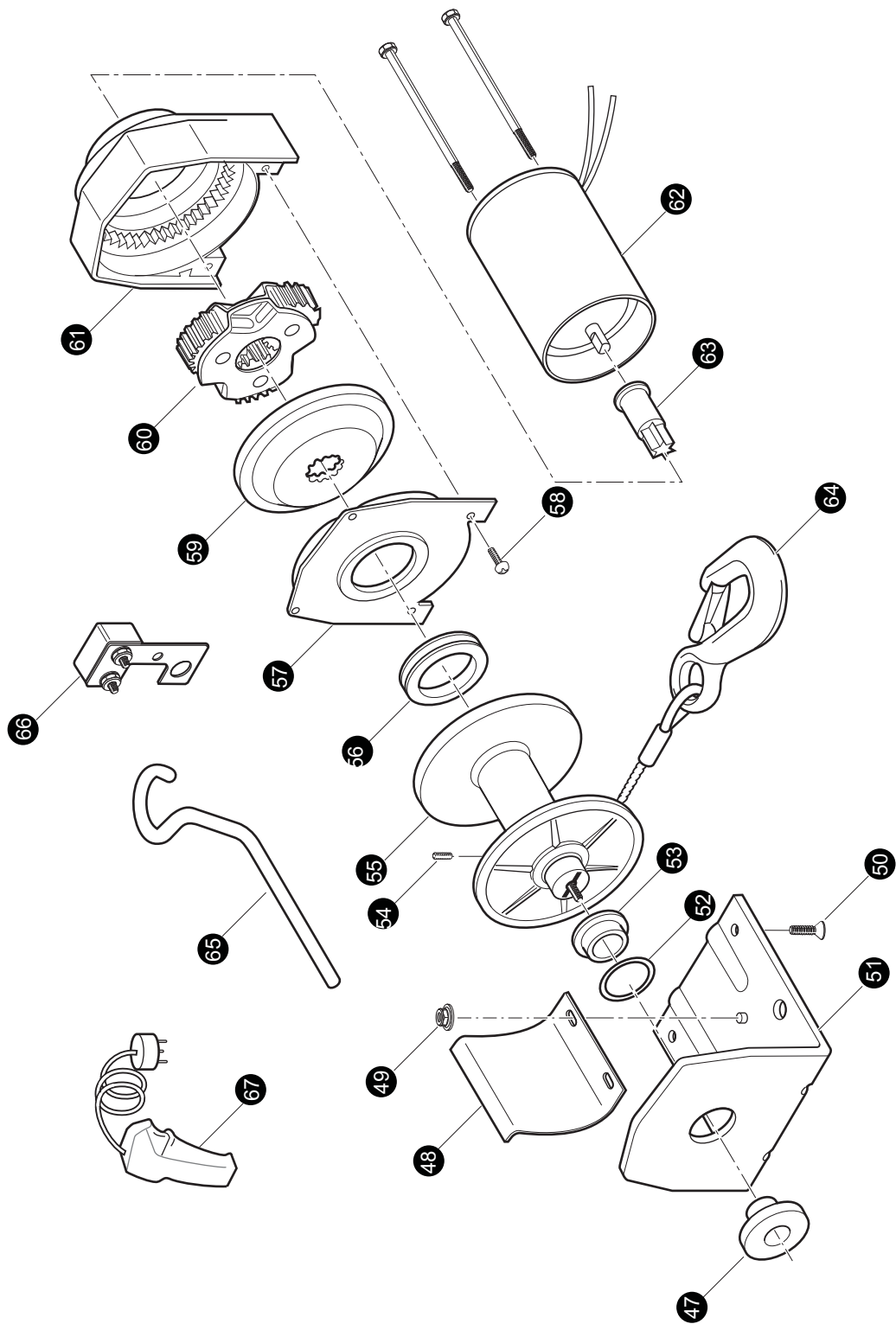
ITEM	PART NO.	1 2 3 4 5	DESCRIPTION	QTY.
1	28442G03		WHEEL AND TIRE ASSY, TURF SAVER (INCLUDES ITEMS 2 - 4)	1
2	28442G02		TIRE, 20 X 10 - 10 TURF SAVER	1
3	15172G02		WHEEL RIM (BLACK, 4 LUG).....	1
4	11657G1		VALVE STEM.....	1
5	74842G03		WHEEL AND TIRE ASSY (DRIVER SIDE) (INCLUDES ITEMS 7 - 9).....	1
6	74842G04		WHEEL AND TIRE ASSY (PASSENGER SIDE) (INCLUDES ITEMS 7 - 9) ..	1
7	74842G05		TIRE, 21 X 11 - 10 TRAIL WOLF	1
8	1015239014		WHEEL RIM (BLACK, 4 LUG).....	1
9	012007		VALVE STEM.....	1
10	28630G04		WHEEL AND TIRE ASSY (DRIVER SIDE) (INCLUDES ITEMS 12 - 14).....	1
11	28630G05		WHEEL AND TIRE ASSY (PASSENGER SIDE) (INCLUDES ITEMS 12 - 14)	1
12	28630G01		TIRE, 22 X 9 - 10 STRYKER	1
13	15172G02		WHEEL RIM (BLACK, 4 LUG).....	1
14	11657G1		VALVE STEM.....	1
15	14723G1		LUGNUT, 1/2 - 20	A/R

Note: Winch shown mounted at front of vehicle.

1 - Includes Items 2 - 73







When ordering parts, please specify the model and serial number of the product.

* Indicates a component that is not available as an individual part.

*** Indicates consult Customer Service Department for additional information.

ITEM	PART NO.	1 2 3 4 5	DESCRIPTION	QTY.
1	74259-G02		WINCH KIT (INCLUDES ITEMS 2 - 73) (ST 350).....	1
2	600792		WINCH ASSEMBLY, T1500.....	1
3	74271-G01		WINCH MOUNTING TUBE	1
4	00440-G6		BOLT, 5/16 - 18 X 2 3/4" LG	2
5	00571-G2		WASHER, 5/16".....	4
6	00891-G3		LOCK NUT, 5/16 - 18.....	2
7	21317-G1		CLEVIS PIN, 5/8" x 3" LG.....	1
8	21683-G1		COTTER PIN, 15/32" X 2 13/16" LG	1
9	74286-G02		REMOTE SOLENOID (INCLUDES ITEMS 10 - 35).....	1
10	74256-G02		SOLENOID KIT	1
11	72278-G01		WIRE HARNESS (SOLENOID to BATTERY)	1
12				
13				
14				
15	600798		WIRE HARNESS (SOLENOID to REAR WINCH) (INCLUDES 16 - 19)	1
16	600794		8 GA WIRE (YELLOW 67")	1
17	600793		8 GA WIRE (BLUE 67")	1
18	20436-G1		FLEX LOOM (BULK) 49"	1
19	73235-G01		CONNECTOR.....	1
20	74326-G01		MOUNTING BRACKET.....	1
21	00414-G6		BOLT, 1/4 - 20 X 3/4" LG.....	3
22	23726-G1		SPACER, 1/4"	3
23	14390-G4		LOCK NUT, 1/4 - 20	3
24	600801		WIRE HARNESS (SOLENOID to RECEPTACLE) (INCLUDES 25-28).	1
25	19077-G1		16 GA WIRE (BLUE 14")	1
26	20216-G1		16 GA WIRE (WHITE 14")	1
27	19080-G1		16 GA WIRE (YELLOW 14")	1
28	17313-G1		FLEX LOOM (BULK), 4"	1
29	600795		WIRE HARNESS (SOLENOID to FRONT WINCH) (INCLUDES 30-33)	1
30	600794		8 GA WIRE (YELLOW 94")	1
31	600793		8 GA WIRE (BLUE 94")	1

When ordering parts, please specify the model and serial number of the product.

* Indicates a component that is not available as an individual part.

*** Indicates consult Customer Service Department for additional information.

ITEM	PART NO.	1	2	3	4	5	DESCRIPTION	QTY.
32	20436-G1						FLEX LOOM, 75 5/8" (BULK)	1
33	73235-G01						CONNECTOR	1
34	600482						RECEPTACLE WITH LEADS (GREEN, WHITE, BLACK)	1
35	*						CIRCUIT BREAKER WITH BRACKET.....	1
36	00414-G5						BOLT, 1/4 - 20 X 5/8" LG.....	2
37	14390-G4						LOCK NUT, 1/4 - 20	2
38								
39								
40	74289-G01						CONNECTOR MOUNT PLATE.....	1
41	00740-G4						SCREW, #10 - 32 X 1/2" LG (STAINLESS STEEL).....	2
42	00559-G5						WASHER, #10	2
43	00921-G8						LOCK NUT, #10 - 32	2
44	00156-G8						SCREW, #10 - 32 X 1" LG	2
45	00526-G4						NUT, #10 - 32	2
46								
<p>The following items are replacement components for the winch. For service or replacement parts, contact Superwinch, Inc., Winch Drive, Putnam, CT 06260 Phone: (860) 928-7787, FAX: (860) 928-1143</p> <p>Always provide the following information when requesting information or ordering replacement parts:</p> <p>Winch Part Number: T1500 Serial Number: (found on housing) Part Number and Description</p>								
47	87-10490						KNOB ASSEMBLY, T-SERIES F/W	1
48	87-22381						TENSION PLATE	1
49	87-23149-05						NUT, HEX, FLANGED, M5 X 0.8	2
50	89-22291-01						SCREW, ST HEX SKY FH, M6 X 1 X 20	2
51	87-22394						BASEPLATE ASSEMBLY, T-SERIES	1
52	AS REQ'D						WASHER, .020 OR .030 THICK	A/R
53	87-10466						BUSHING, T-SERIES.....	1
54	87-23309-01						SET SCREW, M5 X 0.8 X 6	1
55	87-22397						DRUM ASSEMBLY	1

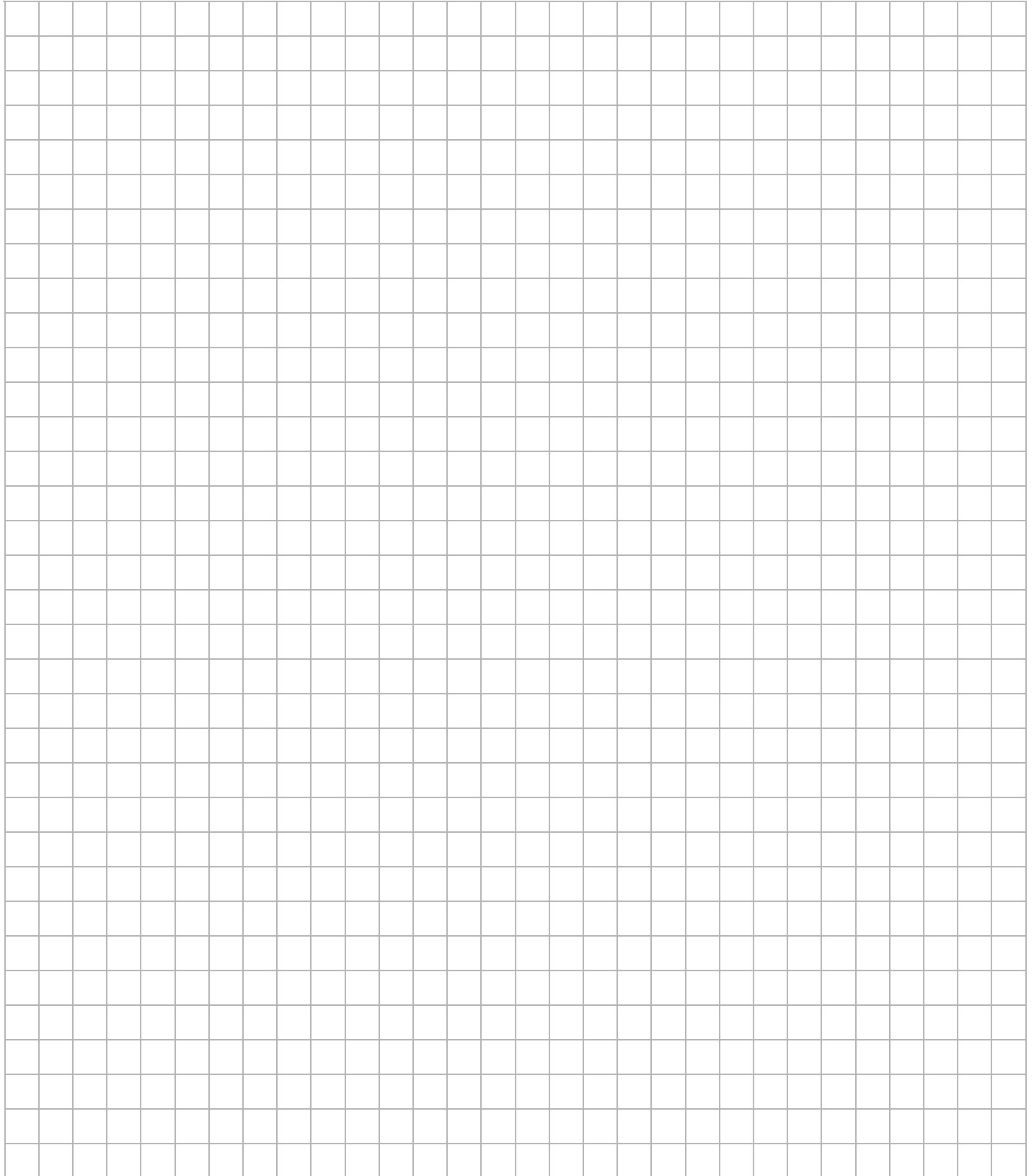
When ordering parts, please specify the model and serial number of the product.

* Indicates a component that is not available as an individual part.

*** Indicates consult Customer Service Department for additional information.

ITEM	PART NO.	1	2	3	4	5	DESCRIPTION	QTY.
56	87-10470						DRUM SUPPORT BUSHING	1
57	87-33257						DRUM SUPPORT PLATE	1
58	87-23030-10						SCREW, ST PAN HEAD, M4 X 0.7 X 10	4
59	87-33251						ROTATOR GEAR, T-SERIES	1
60	87-22380						CARRIER ASSEMBLY, T-SERIES	1
61	87-22396						STATIONARY GEAR HOUSING ASSEMBLY, T-SERIES	1
62	87-33249						MOTOR, 12 VOLT	1
63	87-22401						MOTOR PINION GEAR	1
64	1535A						WIRE ROPE AND HOOK ASSEMBLY, 5/32" X 25 FEET	1
65	89-32300						HANSAVER BAR	1
66	90-22873-03						CIRCUIT BREAKER ASSEMBLY, 12 VOLT, T-SERIES	1
67	90-22117						REMOTE CONTROL ASSEMBLY	1
68	92-20172						SOLENOID, 12 VOLT	2
69	90-32070						SOLENOID BACK PLATE	1
70	90-31079						SOLENOID COVER	1
71								
72								
73	71489-G01						LABEL (READ INSTRUCTIONS)	1

Notes:



SPECIALTY PRODUCTS

SPECIALTY PRODUCTS

SPECIAL TOOLS	PART NO.
HIGH RESISTANCE SPARK PLUG WIRE SET	26733G02
CLUTCH PULLER (DRIVE)	19779G2
FLYWHEEL PULLER	27111G01
CURRENT INDICATOR	16489G2
DIGITAL MULTI-METER	27481G01
TUBELESS TIRE REPAIR KIT	606009
TIRE PLUGGER REFILL PACK (50/BOX)	606831

TOUCH UP PAINT	PART NO.
PEN 3 OUNCE (89 ML) - HUNTER GREEN	28432G02
PEN 3 OUNCE (89 ML) - CHAMPAGNE BEIGE	28432G01
PEN 3 OUNCE (89 ML) - WHITE	28432G05
PEN 3 OUNCE (89 ML) - INDUSTRIAL YELLOW	28432G03
PEN 3 OUNCE (89 ML) - ORANGE	28432G04
PEN 3 OUNCE (89 ML) - STEEL BLUE PEARL	28432G24
PEN 3 OUNCE (89 ML) - CAMOUFLAGE PAINT (THREE PENS)	75831G01
AEROSOL 12 OUNCE (360 ML) - HUNTER GREEN	28140G09
AEROSOL 12 OUNCE (360 ML) - CHAMPAGNE BEIGE	28140G15
AEROSOL 12 OUNCE (360 ML) - INDUSTRIAL YELLOW	28140G14

MAINTENANCE PRODUCTS	PART NO.
PLEXUS® CLEANER, 13 OUNCE (380 ML) (FOR WINDSHIELDS)	28433G02
BATTERY PROTECTOR, 14 OUNCE (410 ML) SPRAY	27619G02
E-Z-GO ALL SURFACE CLEANER	606311
E-Z-GO FIBREGLASS/PLASTIC RESTORER	606313
WINDSHIELD AND PLASTIC PROTECTOR	606314
64 OZ HAND CLEANER	607636
4 OZ HAND CLEANER	607637

OPTIONS/ACCESSORIES

OPTIONS/ACCESSORIES

ITEM	KIT NO.	SECTION
ASHTRAY KIT	75109-G02	See BODY
BALL HITCH KIT	74491-G02	See BODY
CARGO BED COVER	73521-G01	
CARGO TRAILER (STEEL)	74486-G01	
CARGO TRAILER (POLY)	74487-G01	
CONSOLE POWER OUTLET	71079-G01	See ELECTRICAL SYSTEM
DEFROSTER/COOLING FAN	74248-G01	See CAB (FLAT WINDSHIELD)
DOME LIGHT	20495-G2	See CAB (FLAT WINDSHIELD)
DOOR SET (STEEL)	74301-G0*	See CAB (FLAT WINDSHIELD)
DOOR SET (STEEL)	75856-G0*	See CAB (CURVED WINDSHIELD)
DOOR SET (VINYL)	74242-G01	See CAB (FLAT WINDSHIELD)
DOOR SET (VINYL)	75855-G01	See CAB (CURVED WINDSHIELD)
GLOVE BOX DOOR	75456-G0*	See BODY
GUN HOLDER	74365-G01	
HITCH KITS	74492-G0*	See BODY
HOUR METER KIT	75114-G0*	See ELECTRICAL SYSTEM
RECTANGULAR SIDE MIRROR KIT	27924-G01	See CAB (FLAT WINDSHIELD)
INSTRUMENT/SWITCH PANEL	74250-G01	See CAB (FLAT WINDSHIELD)
LIGHT BAR	75354-G0*	See ELECTRICAL
REAR VIEW MIRROR KIT(REQUIRES SUN TOP KIT)19528-G2		See WEATHER PROTECTION
SOFT ENCLOSURE (3 SIDED)	75367-G0*	See WEATHER PROTECTION
STEEL CAB, W/O DOORS	75854-G0*	See CAB (CURVED WINDSHIELD)
STROBE LIGHT	74245-G01	See CAB (FLAT WINDSHIELD)
SUN TOP KIT (ST SPORT)	75040-G0*	See WEATHER PROTECTION
TURN SIGNAL KIT	75107-G0*	See ELECTRICAL SYSTEM
WINCH	74259-G02	See WINCH (ST 350)
WINDSHIELD KIT (REQUIRES SUN TOP KIT)	71966-G0*	See WEATHER PROTECTION
FOLD DOWN WINDSHIELD KIT(REQUIRES SUN TOP KIT)71966-G0*		See WEATHER PROTECTION
WINDSHIELD WIPER	74244-G01	See CAB (FLAT WINDSHIELD)
WORK LIGHTS	74247-G01	See CAB (FLAT WINDSHIELD)
TIRE DOMINATOR 20X11-10	605316	Wheels and Tires
PATHFINDER TIRE BRUSHED WHEEL LH	605355	Wheels and Tires

OPTIONS/ACCESSORIES

ITEM	KIT NO.	SECTION
PATHFINDER TIRE BRUSHED WHEEL RH	605356	Wheels and Tires
PRO TOUR POLISHED WHEEL	605317	Wheels and Tires-ST Sport CARB / ST Sport
PRO TOUR TIRE 205/50-10	605315	Wheels and Tires-ST Sport CARB / ST Sport
V-STEM BRUSHED WHEEL	605351	Wheels and Tires
PRO-BRUSHED WHEEL	605318	Wheels and Tires-ST Sport CARB / ST Sport
DOMINATOR POLISHED WHEEL	605319	Wheels and Tires
DOMINATOR BRUSHED WHEEL	605320	Wheels and Tires
CHROME CENTER CAP-SPOKED WHEEL	604929	Wheels and Tires
NUT, LUG-CHROME	605310	Wheels and Tires
V-STEM-POLISHED SPOKED WHEEL	605311	Wheels and Tires
PATHFINDER TIRE 22X11-10	604928	Wheels and Tires
PATHFINDER TIRE POLISHED WHEEL LH	604930	Wheels and Tires
PATHFINDER TIRE POLISHED WHEEL RH	605228	Wheels and Tires



A Textron Company

E-Z-GO Division Of Textron, Inc.,
1451 Marvin Griffin Road, Augusta, Georgia USA 30906-3852

TO CONTACT US

North America:

Technical Assistance & Warranty Phone: 1-800-774-3946, FAX: 1-800-448-8124
Service Parts Phone: 1-888-GET-EZGO (1-888-438-3946), FAX: 1-800-752-6175

International:

Phone: 001-706-798-4311, FAX: 001-706-771-4609

Certified ISO 9001 / ISO 14001 by



Copyrighted Material
This manual may not be reproduced in whole or
in part without the express permission of
E-Z-GO Division of Textron, Inc.
Technical Communications Department