

PARTS CATALOGUE

MODEL YEAR 2006

G23AC (JU5)

STARTING SERIAL NO.: JU5-300101 and following

OWNERS LIT-19626-01-17
ASSEMBLY LIT-11666-01-17
SERVICE LIT-11616-01-17

CONTENTS

| | |
|------------------------|--------|
| ACCELERATOR | C1 |
| AIR SHROUD FAN | A8 |
| BODY | C11-12 |
| BODY 2 | D1 |
| BODY FITTING | D2 |
| BRAKE | B9-10 |
| BRAKE 2 | B11 |
| BRAKE 3 | B12 |
| BUMPER | C10 |
| CAMSHAFT VALVE | A7 |
| CARBURETOR | A10 |
| CARRIER | D3-4 |
| CRANKCASE | A12 |
| CRANKSHAFT PISTON | A6 |
| CYLINDER HEAD | A5 |
| ELECTRICAL 1 | D9 |
| ELECTRICAL 2 | D10-11 |
| ENGINE ASSEMBLY | A4 |
| ENGINE BRACKET | B1 |
| EXHAUST | A11 |
| FRAME | B3 |
| FRONT SUSPENSION WHEEL | B4-5 |
| FUEL TANK | B8 |
| GOVERNOR | C2 |
| HEADLIGHT | D8 |
| INTAKE | A9 |
| PRIMARY SHEAVE | C3 |
| REAR ARM SUSPENSION | B2 |
| REAR AXLE MOUNT WHEEL | C8 |
| SEAT | D5 |
| SECONDARY SHEAVE | C4 |
| SHIFTER CABLES | C9 |
| STARTING MOTOR | D6-7 |
| STEERING | B6-7 |
| TRANSMISSION 1 | C5-7 |

FOREWORD

This Parts Catalogue is related to the parts for the model(s) on the cover page. When you are ordering replacement parts, please refer to this Parts Catalogue and quote both part numbers and part names correctly.

1. Modifications or additions which have been made after the issue of the Parts Catalogue will be announced in the Parts News.
It is advisable that you make the necessary corrections to the Parts Catalogue according to the Parts News.
2. Abbreviations
The following abbreviations are used in this Parts Catalogue.
 - "UR" Use specified parts number.
 - "UN" Use as many as needed.
 - "AP" Alternate Parts
 - "LM" Locally Made (Parts need to be ordered locally)
 - "F#" Frame No. (Applicable machine No.)
 - "O/S" Over Size
3. The number of components for assembly
 - Parts, which are to be supplied in an assembly, are listed with a dot (.) in front of the part name as shown below.
 - The numeral appearing to the right of each component part indicates the quantity of parts for each assembly unit.

| PART NO. | DESCRIPTION | Q'TY | REMARKS |
|--------------|--------------------------|------|---------|
| 2F5-83310-60 | FRONT FLASHER LIGHT ASSY | 2 | |
| 115-83311-60 | .BULB (6V-18W) | 1 | |

4. Applicable colours of graphics are represented in the "REMARKS" as shown below.

| PART NO. | DESCRIPTION | Q'TY | REMARKS |
|-----------------|---------------------|------|---------|
| 2N4-24110-00-X5 | FUEL TANK COMP. | 2 | MXR |
| 3J1-24240-10 | .GRAPHIC, FUEL TANK | 1 | FOR MXR |

5. Note that the illustrations for reference in finding parts numbers are not to be used for assembling. When assembling, please use the applicable service manual.

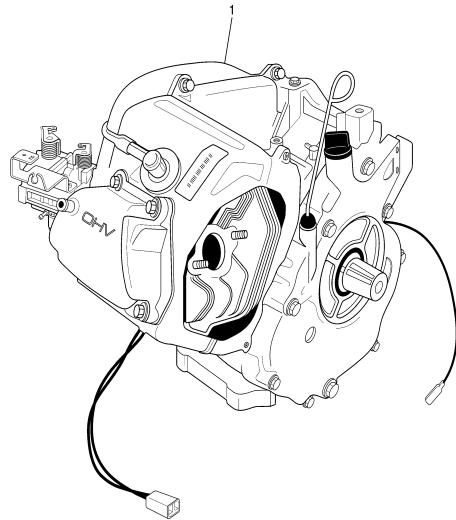
6. The asterisk (*) before a reference number indicates modified items after the first edition.

CONTENTS

| | |
|------------------------|--------|
| ACCELERATOR | C1 |
| AIR SHROUD FAN | A8 |
| BODY | C11-12 |
| BODY 2 | D1 |
| BODY FITTING | D2 |
| BRAKE | B9-10 |
| BRAKE 2 | B11 |
| BRAKE 3 | B12 |
| BUMPER | C10 |
| CAMSHAFT VALVE | A7 |
| CARBURETOR | A10 |
| CARRIER | D3-4 |
| CRANKCASE | A12 |
| CRANKSHAFT PISTON | A6 |
| CYLINDER HEAD | A5 |
| ELECTRICAL 1 | D9 |
| ELECTRICAL 2 | D10-11 |
| ENGINE ASSEMBLY | A4 |
| ENGINE BRACKET | B1 |
| EXHAUST | A11 |
| FRAME | B3 |
| FRONT SUSPENSION WHEEL | B4-5 |
| FUEL TANK | B8 |
| GOVERNOR | C2 |
| HEADLIGHT | D8 |
| INTAKE | A9 |
| PRIMARY SHEAVE | C3 |
| REAR ARM SUSPENSION | B2 |
| REAR AXLE MOUNT WHEEL | C8 |
| SEAT | D5 |
| SECONDARY SHEAVE | C4 |
| SHIFTER CABLES | C9 |
| STARTING MOTOR | D6-7 |
| STEERING | B6-7 |
| TRANSMISSION 1 | C5-7 |

ENGINE ASSEMBLY

| Ref. No. | Part Number | Description | Qty | Remarks |
|----------|-----------------|-----------------------|-----|---------|
| 1 | JR6-19001-00-00 | ENGINE ASSEMBLY | 1 | |



CONTENTS

| | |
|------------------------|--------|
| ACCELERATOR | C1 |
| AIR SHROUD FAN | A8 |
| BODY | C11-12 |
| BODY 2 | D1 |
| BODY FITTING | D2 |
| BRAKE | B9-10 |
| BRAKE 2 | B11 |
| BRAKE 3 | B12 |
| BUMPER | C10 |
| CAMSHAFT VALVE | A7 |
| CARBURETOR | A10 |
| CARRIER | D3-4 |
| CRANKCASE | A12 |
| CRANKSHAFT PISTON | A6 |
| CYLINDER HEAD | A5 |
| ELECTRICAL 1 | D9 |
| ELECTRICAL 2 | D10-11 |
| ENGINE ASSEMBLY | A4 |
| ENGINE BRACKET | B1 |
| EXHAUST | A11 |
| FRAME | B3 |
| FRONT SUSPENSION WHEEL | B4-5 |
| FUEL TANK | B8 |
| GOVERNOR | C2 |
| HEADLIGHT | D8 |
| INTAKE | A9 |
| PRIMARY SHEAVE | C3 |
| REAR ARM SUSPENSION | B2 |
| REAR AXLE MOUNT WHEEL | C8 |
| SEAT | D5 |
| SECONDARY SHEAVE | C4 |
| SHIFTER CABLES | C9 |
| STARTING MOTOR | D6-7 |
| STEERING | B6-7 |
| TRANSMISSION 1 | C5-7 |



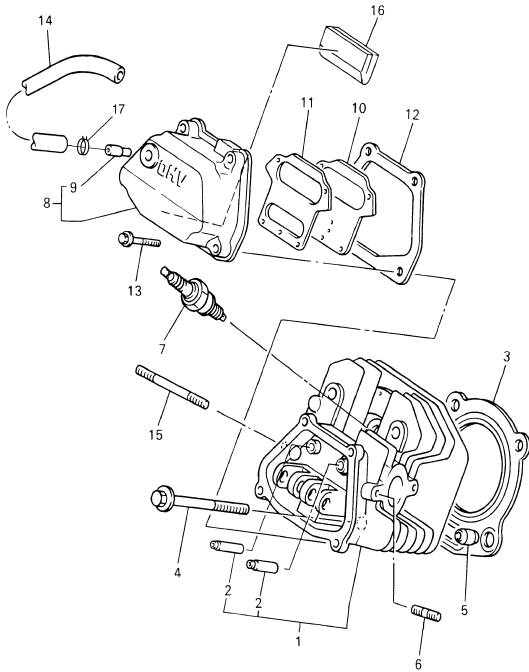
JW41110-C010

CYLINDER HEAD

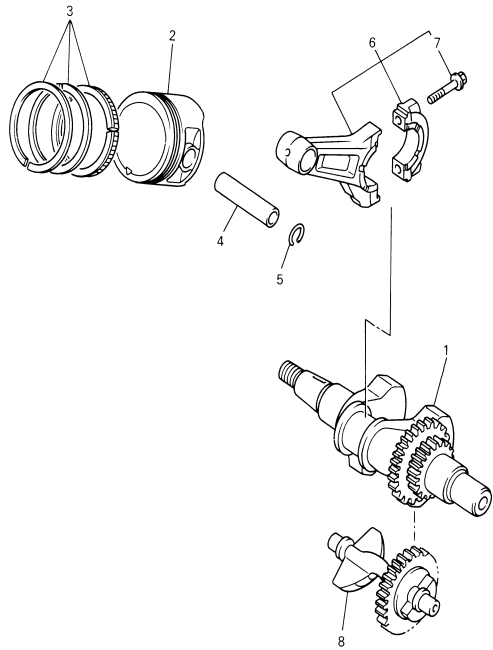
| Ref. No. | Part Number | Description | Qty | Remarks |
|----------|-----------------|--------------------------|-----|---------|
| 1 | JT0-11111-00-00 | HEAD, CYLINDER 1 | 1 | |
| 2 | JN6-11133-10-00 | . GUIDE, VALVE 1 | 2 | |
| 3 | JT0-11181-00-00 | GASKET, CYLINDER HEAD 1 | 1 | |
| 4 | 95817-10070-00 | BOLT, FLANGE | 4 | |
| 5 | 99530-14016-00 | PIN, DOWEL | 2 | |
| 6 | 95627-08618-00 | BOLT, STUD | 2 | |
| 7 | 94702-00343-00 | PLUG, SPARK (NGK BP4ES) | 1 | AP |
| | 94702-00348-00 | PLUG, SPARK (NGK-BPR2ES) | 1 | STD |
| 8 | JN6-11191-01-00 | COVER, CYLINDER HEAD 1 | 1 | |
| 9 | JN6-11116-00-00 | . JOINT, BREATHER | 1 | |
| 10 | JN6-11168-00-00 | COVER, BREATHER | 1 | |
| 11 | JN6-11169-00-00 | GASKET, BREATHER COVER | 1 | |
| 12 | JN6-11193-00-00 | GASKET, HEAD COVER 1 | 1 | |
| 13 | 95827-06030-00 | BOLT, FLANGE | 4 | |
| 14 | JN6-E1166-00-00 | PIPE, BREATHER 1 | 1 | |
| 15 | 95607-08710-00 | BOLT, STUD | 2 | |
| 16 | JR7-11163-00-00 | ELEMENT | 1 | |
| 17 | 90467-13847-00 | CLIP | 2 | |

CONTENTS

| | |
|------------------------|--------|
| ACCELERATOR | C1 |
| AIR SHROUD FAN | A8 |
| BODY | C11-12 |
| BODY FITTING | D1 |
| BRAKE | D2 |
| BRAKE 2 | B9-10 |
| BRAKE 3 | B11 |
| BUMPER | B12 |
| CAMSHAFT VALVE | C10 |
| CARBURETOR | A7 |
| CARRIER | A10 |
| CRANKCASE | D3-4 |
| CRANKSHAFT PISTON | A12 |
| CYLINDER HEAD | A6 |
| ELECTRICAL 1 | A5 |
| ELECTRICAL 2 | D9 |
| ENGINE ASSEMBLY | D10-11 |
| ENGINE BRACKET | A4 |
| EXHAUST | B1 |
| FRAME | A11 |
| FRONT SUSPENSION WHEEL | B3 |
| FUEL TANK | B4-5 |
| GOVERNOR | B8 |
| HEADLIGHT | C2 |
| INTAKE | D8 |
| PRIMARY SHEAVE | A9 |
| REAR ARM SUSPENSION | C3 |
| REAR AXLE MOUNT WHEEL | B2 |
| SEAT | C8 |
| SECONDARY SHEAVE | D5 |
| SHIFTER CABLES | C4 |
| STARTING MOTOR | C9 |
| STEERING | D6-7 |
| TRANSMISSION 1 | B6-7 |
| | C5-7 |



JT01010-0011



CRANKSHAFT PISTON

| Ref. No. | Part Number | Description | Qty | Remarks |
|----------|-----------------|------------------------------------|-----|---------|
| 1 | JN6-11400-00-00 | CRANKSHAFT ASSY | 1 | |
| 2 | JR7-11631-00-A0 | PISTON (STD) | 1 | |
| | JR7-11635-00-00 | PISTON (0.25MM O/S) | 1 | AP |
| | JR7-11636-00-00 | PISTON (0.50MM O/S) | 1 | AP |
| 3 | JR7-11610-00-00 | PISTON RING SET (STD) | 1 | |
| | JR7-11610-10-00 | PISTON RING SET (0.25MM O/S) | 1 | AP |
| | JR7-11610-20-00 | PISTON RING SET (0.50MM O/S) | 1 | AP |
| 4 | 583-11633-00-00 | PIN, PISTON | 1 | |
| 5 | 93450-21053-00 | CIRCLIP | 2 | |
| 6 | JN6-11650-00-00 | CONNECTING ROD ASSY | 1 | |
| 7 | JN6-11654-00-00 | . BOLT, CONNECTING ROD .. | 2 | |
| 8 | JN6-11454-00-00 | WEIGHT 1 | 1 | |

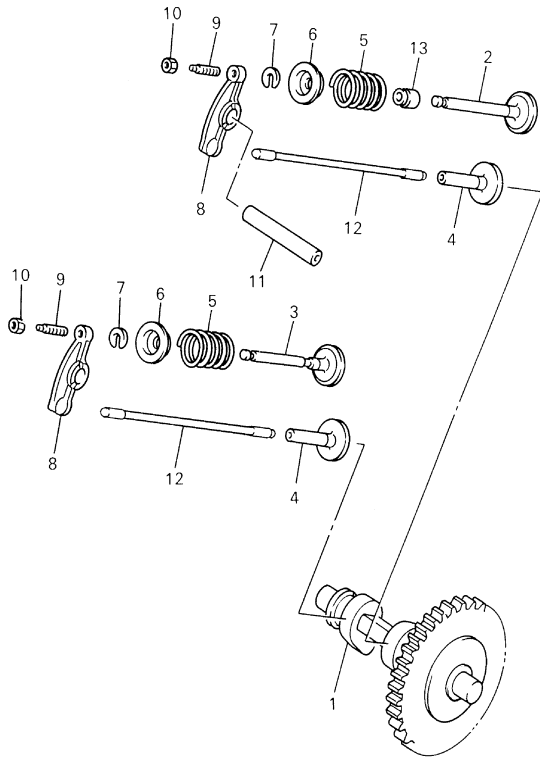
CONTENTS

| | |
|------------------------|--------|
| ACCELERATOR | C1 |
| AIR SHROUD FAN | A8 |
| BODY | C11-12 |
| BODY 2 | D1 |
| BODY FITTING | D2 |
| BRAKE | B9-10 |
| BRAKE 2 | B11 |
| BRAKE 3 | B12 |
| BUMPER | C10 |
| CAMSHAFT VALVE | A7 |
| CARBURETOR | A10 |
| CARRIER | D3-4 |
| CRANKCASE | A12 |
| CRANKSHAFT PISTON | A6 |
| CYLINDER HEAD | A5 |
| ELECTRICAL 1 | D9 |
| ELECTRICAL 2 | D10-11 |
| ENGINE ASSEMBLY | A4 |
| ENGINE BRACKET | B1 |
| EXHAUST | A11 |
| FRAME | B3 |
| FRONT SUSPENSION WHEEL | B4-5 |
| FUEL TANK | B8 |
| GOVERNOR | C2 |
| HEADLIGHT | D8 |
| INTAKE | A9 |
| PRIMARY SHEAVE | C3 |
| REAR ARM SUSPENSION | B2 |
| REAR AXLE MOUNT WHEEL | C8 |
| SEAT | D5 |
| SECONDARY SHEAVE | C4 |
| SHIFTER CABLES | C9 |
| STARTING MOTOR | D6-7 |
| STEERING | B6-7 |
| TRANSMISSION 1 | C5-7 |



JN7010-6020

CAMSHAFT VALVE



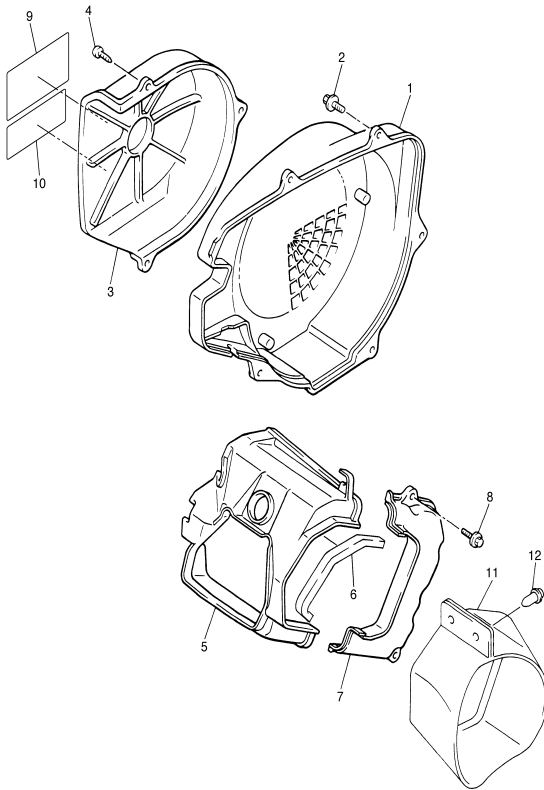
| Ref. No. | Part Number | Description | Qty | Remarks |
|----------|-----------------|------------------------|-----|---------|
| 1 | JR7-12170-00-00 | CAMSHAFT ASSY 1 | 1 | |
| 2 | JN6-12111-01-00 | VALVE, INTAKE | 1 | |
| 3 | 7RH-12121-00-00 | VALVE, EXHAUST | 1 | |
| 4 | JN6-12153-00-00 | LIFTER, VALVE | 2 | |
| 5 | 90501-264A9-00 | SPRING, COMPRESSION | 2 | |
| 6 | J38-12117-01-00 | RETAINER, VALVE SPRING | 2 | |
| 7 | J38-12118-00-00 | COTTER, VALVE | 2 | |
| 8 | JN6-12151-00-00 | ARM, VALVE ROCKER | 2 | |
| 9 | 22F-12159-00-00 | SCREW, VALVE ADJUSTING | 2 | |
| 10 | 90170-05302-00 | NUT | 2 | |
| 11 | J38-12156-00-00 | SHAFT, ROCKER 2 | 1 | |
| 12 | JR7-12154-01-00 | ROD, VALVE PUSH | 2 | |
| 13 | 4G0-12119-00-00 | SEAL, VALVE STEM | 1 | |

CONTENTS

| | |
|------------------------|--------|
| ACCELERATOR | C1 |
| AIR SHROUD FAN | A8 |
| BODY | C11-12 |
| BODY 2 | D1 |
| BODY FITTING | D2 |
| BRAKE | B9-10 |
| BRAKE 2 | B11 |
| BRAKE 3 | B12 |
| BUMPER | C10 |
| CAMSHAFT VALVE | A7 |
| CARBURETOR | A10 |
| CARRIER | D3-4 |
| CRANKCASE | A12 |
| CRANKSHAFT PISTON | A6 |
| CYLINDER HEAD | A5 |
| ELECTRICAL 1 | D9 |
| ELECTRICAL 2 | D10-11 |
| ENGINE ASSEMBLY | A4 |
| ENGINE BRACKET | B1 |
| EXHAUST | A11 |
| FRAME | B3 |
| FRONT SUSPENSION WHEEL | B4-5 |
| FUEL TANK | B8 |
| GOVERNOR | C2 |
| HEADLIGHT | D8 |
| INTAKE | A9 |
| PRIMARY SHEAVE | C3 |
| REAR ARM SUSPENSION | B2 |
| REAR AXLE MOUNT WHEEL | C8 |
| SEAT | D5 |
| SECONDARY SHEAVE | C4 |
| SHIFTER CABLES | C9 |
| STARTING MOTOR | D6-7 |
| STEERING | B6-7 |
| TRANSMISSION 1 | C5-7 |



JT01010-0030



AIR SHROUD FAN

| Ref. No. | Part Number | Description | Qty | Remarks |
|----------|-----------------|---------------------------|-----|---------|
| 1 | JN6-12621-00-00 | CASE, FAN | 1 | |
| 2 | 95807-06020-00 | BOLT, FLANGE | 5 | |
| 3 | JN6-12616-00-00 | COVER, FAN CASE | 1 | |
| 4 | 97707-60520-00 | SCREW, TAPPING | 3 | |
| 5 | JN6-12651-00-00 | AIR SHROUD, CYLINDER 1 | 1 | |
| 6 | JR7-12658-00-00 | DAMPER, AIR SHROUD 1 | 1 | |
| 7 | JN6-12652-00-00 | AIR SHROUD, CYLINDER 2 | 1 | |
| 8 | 95807-06020-00 | BOLT, FLANGE | 2 | |
| 9 | JR6-2179R-01-00 | PLATE, EPA 2 (CALIFORNIA) | 1 | |
| 10 | 7UH-2111F-00-00 | LABEL, EMISSION | 1 | |
| 11 | JN6-E2691-00-00 | DUCT, 1 | 1 | |
| 12 | 90269-08813-00 | RIVET | 2 | |

CONTENTS

| | |
|------------------------|--------|
| ACCELERATOR | C1 |
| AIR SHROUD FAN | A8 |
| BODY | C11-12 |
| BODY 2 | D1 |
| BODY FITTING | D2 |
| BRAKE | B9-10 |
| BRAKE 2 | B11 |
| BRAKE 3 | B12 |
| BUMPER | C10 |
| CAMSHAFT VALVE | A7 |
| CARBURETOR | A10 |
| CARRIER | D3-4 |
| CRANKCASE | A12 |
| CRANKSHAFT PISTON | A6 |
| CYLINDER HEAD | A5 |
| ELECTRICAL 1 | D9 |
| ELECTRICAL 2 | D10-11 |
| ENGINE ASSEMBLY | A4 |
| ENGINE BRACKET | B1 |
| EXHAUST | A11 |
| FRAME | B3 |
| FRONT SUSPENSION WHEEL | B4-5 |
| FUEL TANK | B8 |
| GOVERNOR | C2 |
| HEADLIGHT | D8 |
| INTAKE | A9 |
| PRIMARY SHEAVE | C3 |
| REAR ARM SUSPENSION | B2 |
| REAR AXLE MOUNT WHEEL | C8 |
| SEAT | D5 |
| SECONDARY SHEAVE | C4 |
| SHIFTER CABLES | C9 |
| STARTING MOTOR | D6-7 |
| STEERING | B6-7 |
| TRANSMISSION 1 | C5-7 |



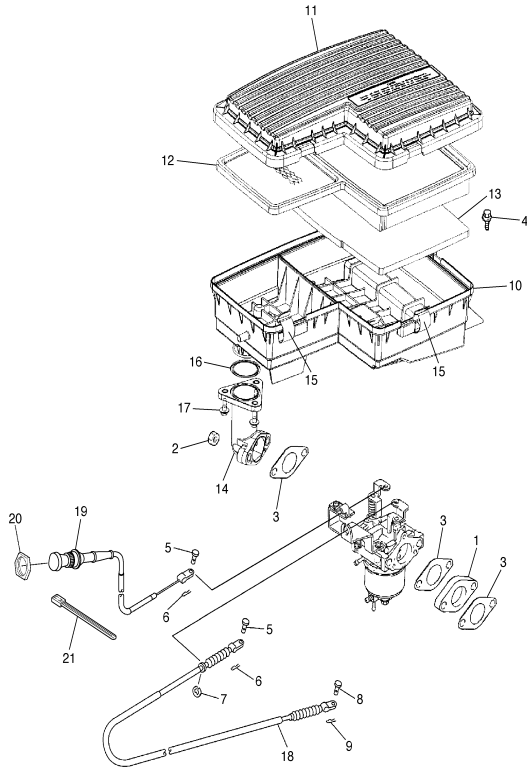
JW41110-C050

INTAKE

| Ref. No. | Part Number | Description | Qty | Remarks |
|----------|-----------------|---------------------------|-----|---------|
| 1 | JN6-13595-00-00 | JOINT | 1 | |
| 2 | 95707-08500-00 | NUT, FLANGE | 2 | |
| 3 | JN6-13567-00-00 | GASKET | 3 | |
| 4 | 90119-06838-00 | BOLT, WITH WASHER | 2 | |
| 5 | 91701-05010-00 | PIN, CLEVIS | 2 | |
| 6 | 90468-10049-00 | CLIP | 2 | |
| 7 | 99001-07600-00 | CIRCLIP | 1 | |
| 8 | 91701-05010-00 | PIN, CLEVIS | 1 | |
| 9 | 90468-10049-00 | CLIP | 1 | |
| 10 | JU0-E4411-00-00 | CASE, AIR CLEANER 1 | 1 | |
| 11 | JU0-E4412-00-00 | CAP, CLEANER CASE 1 | 1 | |
| 12 | JU0-E4450-00-00 | ELEMENT ASSY, AIR CLEANER | 1 | |
| 13 | JU0-E445E-00-00 | FILTER 1 | 1 | |
| 14 | JU0-E3586-00-00 | JOINT, CARBURETOR 1 | 1 | |
| 15 | 5UH-E4424-00-00 | CLIP, CAP FITTING | 5 | |
| 16 | 93210-398D6-00 | O-RING | 1 | |
| 17 | 90105-06862-00 | BOLT, FLANGE | 3 | |
| 18 | JN6-F6312-01-00 | CABLE, THROTTLE 2 | 1 | |
| 19 | J55-F6331-11-00 | CABLE, STARTER 1 | 1 | |
| 20 | JN6-F6333-10-00 | NUT | 1 | |
| 21 | 90464-31827-00 | CLAMP | 1 | |

CONTENTS

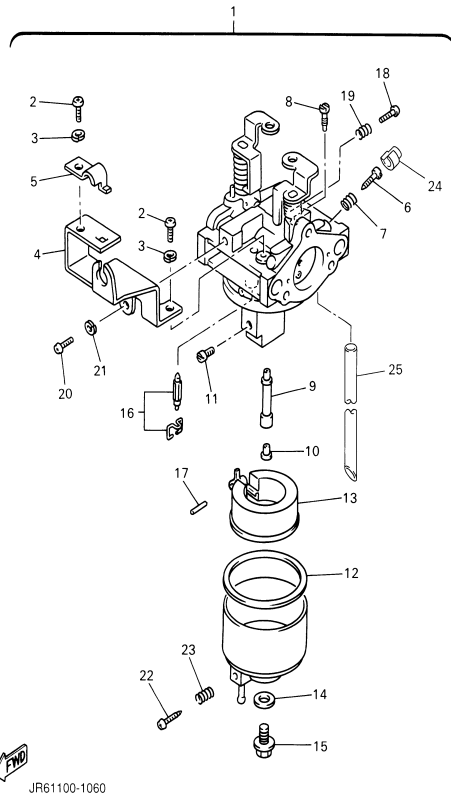
| | |
|------------------------|--------|
| ACCELERATOR | C1 |
| AIR SHROUD FAN | A8 |
| BODY | C11-12 |
| BODY 2 | D1 |
| BODY FITTING | D2 |
| BRAKE | B9-10 |
| BRAKE 2 | B11 |
| BRAKE 3 | B12 |
| BUMPER | C10 |
| CAMSHAFT VALVE | A7 |
| CARBURETOR | A10 |
| CARRIER | D3-4 |
| CRANKCASE | A12 |
| CRANKSHAFT PISTON | A6 |
| CYLINDER HEAD | A5 |
| ELECTRICAL 1 | D9 |
| ELECTRICAL 2 | D10-11 |
| ENGINE ASSEMBLY | A4 |
| ENGINE BRACKET | B1 |
| EXHAUST | A11 |
| FRAME | B3 |
| FRONT SUSPENSION WHEEL | B4-5 |
| FUEL TANK | B8 |
| GOVERNOR | C2 |
| HEADLIGHT | D8 |
| INTAKE | A9 |
| PRIMARY SHEAVE | C3 |
| REAR ARM SUSPENSION | B2 |
| REAR AXLE MOUNT WHEEL | C8 |
| SEAT | D5 |
| SECONDARY SHEAVE | C4 |
| SHIFTER CABLES | C9 |
| STARTING MOTOR | D6-7 |
| STEERING | B6-7 |
| TRANSMISSION 1 | C5-7 |



JW51110-C060

CARBURETOR

CONTENTS



JR61100-1060

| Ref. No. | Part Number | Description | Qty | Remarks |
|----------|-----------------|--------------------------|-----|---------|
| 1 | JR6-14101-00-00 | CARBURETOR ASSY 1 | 1 | |
| 2 | 98507-05008-00 | . SCREW, PAN HEAD | 2 | |
| 3 | 92990-05100-00 | . WASHER, SPRING | 2 | |
| 4 | JN6-14291-00-00 | . BRACKET 1 | 1 | |
| 5 | J10-14227-00-00 | . PLATE | 1 | |
| 6 | 7NJ-14211-00-00 | . SCREW, PILOT ADJUSTING | 1 | |
| 7 | 73A-14212-10-00 | . SPRING | 1 | |
| 8 | 732-14142-65-A0 | . JET, PILOT (# 65) | 1 | |
| 9 | JN6-1495H-3B-00 | . NOZZLE, MAIN | 1 | |
| 10 | 73A-1414G-00-00 | . PIPE, MAIN BLEED | 1 | |
| 11 | 3G2-1423A-67-00 | . JET, MAIN (# 82.5) | 1 | AP |
| | 3G2-1423A-68-A0 | . JET, MAIN (# 87.5) | 1 | STD |
| | 3G2-1423E-33-A0 | . JET, MAIN (#83.8) | 1 | AP |
| 12 | 796-14184-00-00 | . GASKET, FLOAT CHAMBER | 1 | |
| 13 | JN6-14185-00-00 | . FLOAT | 1 | |
| 14 | 127-14198-00-00 | . GASKET | 1 | |
| 15 | 7R1-14162-00-00 | . BOLT, HOLDING | 1 | |
| 16 | JN5-14150-00-00 | . NEEDLE ASSY | 1 | |
| 17 | 22F-14186-00-00 | . PIN, FLOAT | 1 | |
| 18 | 1WG-14922-00-00 | . SCREW, THROTTLE | 1 | |
| 19 | 73A-14212-10-00 | . SPRING | 1 | |
| 20 | 98507-04010-00 | . SCREW, PAN HEAD | 1 | |
| 21 | 92902-04100-00 | . WASHER, SPRING | 1 | |
| 22 | 7E1-14191-00-00 | . PLUG, DRAIN | 1 | |
| 23 | 73A-14212-00-00 | . SPRING | 1 | |
| 24 | 7LV-14118-00-00 | . CAP | 1 | |
| 25 | 1KT-14197-01-00 | . PIPE | 1 | |

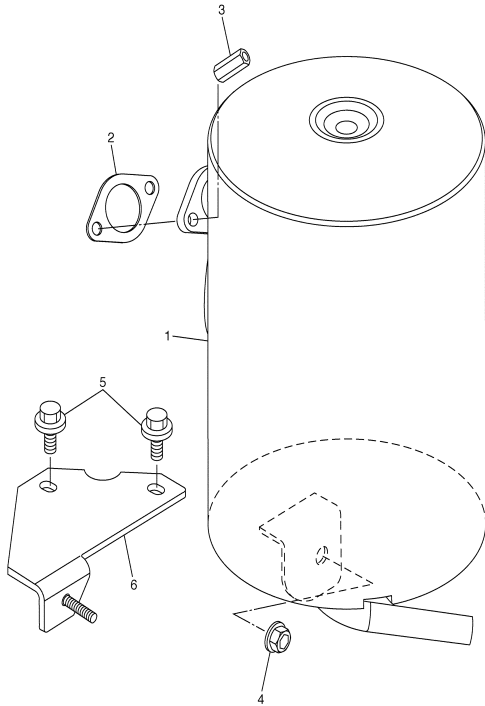
| | |
|------------------------|--------|
| ACCELERATOR | C1 |
| AIR SHROUD FAN | A8 |
| BODY | C11-12 |
| BODY 2 | D1 |
| BODY FITTING | D2 |
| BRAKE | B9-10 |
| BRAKE 2 | B11 |
| BRAKE 3 | B12 |
| BUMPER | C10 |
| CAMSHAFT VALVE | A7 |
| CARBURETOR | A10 |
| CARRIER | D3-4 |
| CRANKCASE | A12 |
| CRANKSHAFT PISTON | A6 |
| CYLINDER HEAD | A5 |
| ELECTRICAL 1 | D9 |
| ELECTRICAL 2 | D10-11 |
| ENGINE ASSEMBLY | A4 |
| ENGINE BRACKET | B1 |
| EXHAUST | A11 |
| FRAME | B3 |
| FRONT SUSPENSION WHEEL | B4-5 |
| FUEL TANK | B8 |
| GOVERNOR | C2 |
| HEADLIGHT | D8 |
| INTAKE | A9 |
| PRIMARY SHEAVE | C3 |
| REAR ARM SUSPENSION | B2 |
| REAR AXLE MOUNT WHEEL | C8 |
| SEAT | D5 |
| SECONDARY SHEAVE | C4 |
| SHIFTER CABLES | C9 |
| STARTING MOTOR | D6-7 |
| STEERING | B6-7 |
| TRANSMISSION 1 | C5-7 |

EXHAUST

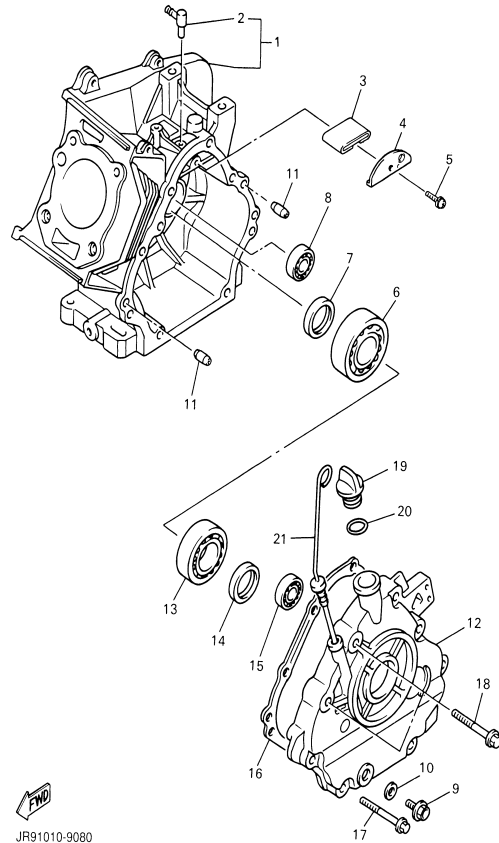
| Ref. No. | Part Number | Description | Qty | Remarks |
|----------|-----------------|--------------------------|-----|---------|
| 1 | JU0-E4710-10-00 | MUFFLER ASSY 1 | 1 | |
| 2 | 7KY-14613-01-00 | GASKET, EXHAUST 1 | 1 | |
| 3 | 90179-08879-00 | NUT | 2 | |
| 4 | 90185-08841-00 | NUT, SELF-LOCKING | 1 | |
| 5 | 90119-08825-00 | BOLT, WITH WASHER | 2 | |
| 6 | JN6-F1435-10-00 | BRACKET, MUFFLER 1 | 1 | |

CONTENTS

| | |
|------------------------|--------|
| ACCELERATOR | C1 |
| AIR SHROUD FAN | A8 |
| BODY | C11-12 |
| BODY 2 | D1 |
| BODY FITTING | D2 |
| BRAKE | B9-10 |
| BRAKE 2 | B11 |
| BRAKE 3 | B12 |
| BUMPER | C10 |
| CAMSHAFT VALVE | A7 |
| CARBURETOR | A10 |
| CARRIER | D3-4 |
| CRANKCASE | A12 |
| CRANKSHAFT PISTON | A6 |
| CYLINDER HEAD | A5 |
| ELECTRICAL 1 | D9 |
| ELECTRICAL 2 | D10-11 |
| ENGINE ASSEMBLY | A4 |
| ENGINE BRACKET | B1 |
| EXHAUST | A11 |
| FRAME | B3 |
| FRONT SUSPENSION WHEEL | B4-5 |
| FUEL TANK | B8 |
| GOVERNOR | C2 |
| HEADLIGHT | D8 |
| INTAKE | A9 |
| PRIMARY SHEAVE | C3 |
| REAR ARM SUSPENSION | B2 |
| REAR AXLE MOUNT WHEEL | C8 |
| SEAT | D5 |
| SECONDARY SHEAVE | C4 |
| SHIFTER CABLES | C9 |
| STARTING MOTOR | D6-7 |
| STEERING | B6-7 |
| TRANSMISSION 1 | C5-7 |



JT71010-B070



JR91010-9080

CRANKCASE

| Ref. No. | Part Number | Description | Qty | Remarks |
|----------|-----------------|---------------------------|-----|---------|
| 1 | JR7-15100-00-00 | CRANKCASE ASSY | 1 | |
| 2 | JN6-15155-00-00 | NOZZLE 3 | 1 | |
| 3 | JR7-15407-00-00 | ELEMENT 1 | 1 | |
| 4 | JR7-15123-00-00 | PLATE, BUFFLE 1 | 1 | |
| 5 | 90159-06107-00 | SCREW, WITH WASHER | 1 | |
| 6 | 93306-30709-00 | BEARING | 1 | |
| 7 | 93102-35014-00 | OIL SEAL | 1 | |
| 8 | 93306-20201-00 | BEARING (B6202) | 1 | |
| 9 | 90340-12097-00 | PLUG, STRAIGHT SCREW | 1 | |
| 10 | 812-11198-00-00 | GASKET | 1 | |
| 11 | 99530-08016-00 | PIN, DOWEL | 2 | |
| 12 | JN6-15411-01-00 | COVER, CRANKCASE 1 | 1 | |
| 13 | 93306-20714-00 | BEARING | 1 | |
| 14 | 93102-35014-00 | OIL SEAL | 1 | |
| 15 | 93306-20201-00 | BEARING (B6202) | 1 | |
| 16 | JN6-15451-02-00 | GASKET, CRANKCASE COVER 1 | 1 | |
| 17 | 95817-08045-00 | BOLT, FLANGE | 6 | |
| 18 | 95817-10050-00 | BOLT, FLANGE | 2 | |
| 19 | 796-15363-01-00 | PLUG, OIL | 1 | |
| 20 | 93210-22344-00 | O-RING | 1 | |
| 21 | J38-15361-00-00 | GAUGE, LEVEL | 1 | |

CONTENTS

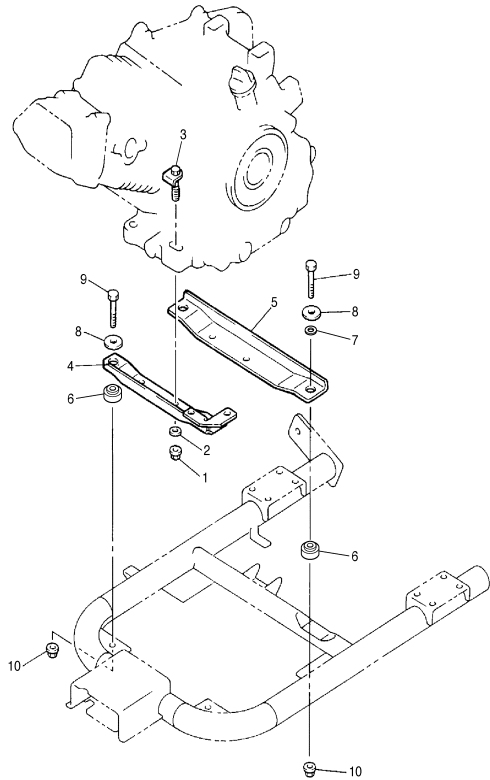
| | |
|------------------------|--------|
| ACCELERATOR | C1 |
| AIR SHROUD FAN | A8 |
| BODY | C11-12 |
| BODY 2 | D1 |
| BODY FITTING | D2 |
| BRAKE | B9-10 |
| BRAKE 2 | B11 |
| BRAKE 3 | B12 |
| BUMPER | C10 |
| CAMSHAFT VALVE | A7 |
| CARBURETOR | A10 |
| CARRIER | D3-4 |
| CRANKCASE | A12 |
| CRANKSHAFT PISTON | A6 |
| CYLINDER HEAD | A5 |
| ELECTRICAL 1 | D9 |
| ELECTRICAL 2 | D10-11 |
| ENGINE ASSEMBLY | A4 |
| ENGINE BRACKET | B1 |
| EXHAUST | A11 |
| FRAME | B3 |
| FRONT SUSPENSION WHEEL | B4-5 |
| FUEL TANK | B8 |
| GOVERNOR | C2 |
| HEADLIGHT | D8 |
| INTAKE | A9 |
| PRIMARY SHEAVE | C3 |
| REAR ARM SUSPENSION | B2 |
| REAR AXLE MOUNT WHEEL | C8 |
| SEAT | D5 |
| SECONDARY SHEAVE | C4 |
| SHIFTER CABLES | C9 |
| STARTING MOTOR | D6-7 |
| STEERING | B6-7 |
| TRANSMISSION 1 | C5-7 |

ENGINE BRACKET

| Ref. No. | Part Number | Description | Qty | Remarks |
|----------|-----------------|-------------------------|-----|---------|
| 1 | 9560P-10200-00 | NUT, FLANGE | 4 | |
| 2 | 9290P-10200-00 | WASHER | 4 | |
| 3 | JN6-F1481-00-00 | BOLT, ENGINE MOUNTING 1 | 4 | |
| 4 | JN6-F1411-00-00 | BRACKET, ENGINE 1 | 1 | |
| 5 | JN6-F1419-02-00 | BRACKET, ENGINE 2 | 1 | |
| 6 | JR3-F1459-00-00 | SPACER | 4 | |
| 7 | 9299R-08200-00 | WASHER | 2 | |
| 8 | 90201-088K6-00 | WASHER, PLATE | 4 | |
| 9 | 90101-08880-00 | BOLT | 4 | |
| 10 | 90179-08885-00 | NUT | 4 | |

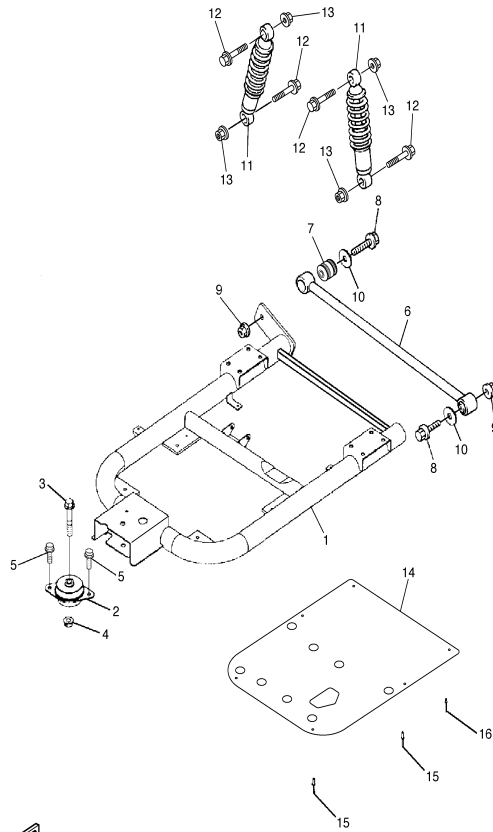
CONTENTS

| | |
|------------------------|--------|
| ACCELERATOR | C1 |
| AIR SHROUD FAN | A8 |
| BODY | C11-12 |
| BODY 2 | D1 |
| BODY FITTING | D2 |
| BRAKE | B9-10 |
| BRAKE 2 | B11 |
| BRAKE 3 | B12 |
| BUMPER | C10 |
| CAMSHAFT VALVE | A7 |
| CARBURETOR | A10 |
| CARRIER | D3-4 |
| CRANKCASE | A12 |
| CRANKSHAFT PISTON | A6 |
| CYLINDER HEAD | A5 |
| ELECTRICAL 1 | D9 |
| ELECTRICAL 2 | D10-11 |
| ENGINE ASSEMBLY | A4 |
| ENGINE BRACKET | B1 |
| EXHAUST | A11 |
| FRAME | B3 |
| FRONT SUSPENSION WHEEL | B4-5 |
| FUEL TANK | B8 |
| GOVERNOR | C2 |
| HEADLIGHT | D8 |
| INTAKE | A9 |
| PRIMARY SHEAVE | C3 |
| REAR ARM SUSPENSION | B2 |
| REAR AXLE MOUNT WHEEL | C8 |
| SEAT | D5 |
| SECONDARY SHEAVE | C4 |
| SHIFTER CABLES | C9 |
| STARTING MOTOR | D6-7 |
| STEERING | B6-7 |
| TRANSMISSION 1 | C5-7 |



JW51110-C100

REAR ARM SUSPENSION



| Ref. No. | Part Number | Description | Qty | Remarks |
|----------|-----------------|---------------------------------|-----|---------|
| 1 | JN6-F2110-02-00 | REAR ARM COMP. | 1 | |
| 2 | JN6-F2123-10-00 | BUSH 1 | 1 | |
| 3 | 90105-13864-00 | BOLT, FLANGE | 1 | |
| 4 | 90179-13878-00 | NUT | 1 | |
| 5 | 9751P-10620-00 | BOLT, WITH WASHER | 2 | |
| 6 | JN6-F217G-00-00 | ROD, CONNECTING 2 | 1 | |
| 7 | JN6-F2124-10-00 | BUSH 2 | 2 | |
| 8 | 9581P-12065-00 | BOLT, FLANGE | 2 | |
| 9 | 9560P-12200-00 | NUT, FLANGE | 2 | |
| 10 | 90201-128S4-00 | WASHER, PLATE | 2 | |
| 11 | JR6-F2210-00-00 | SHOCK ABSORBER ASSY, REAR | 2 | |
| 12 | 9581P-12065-00 | BOLT, FLANGE | 4 | |
| 13 | 90185-12072-00 | NUT, SELF-LOCKING | 4 | |
| 14 | JN6-F2128-01-00 | COVER, THRUST 1 | 1 | |
| 15 | 90267-48850-00 | RIVET, BLIND | 4 | |
| 16 | 90267-40851-00 | RIVET, BLIND | 2 | |

CONTENTS

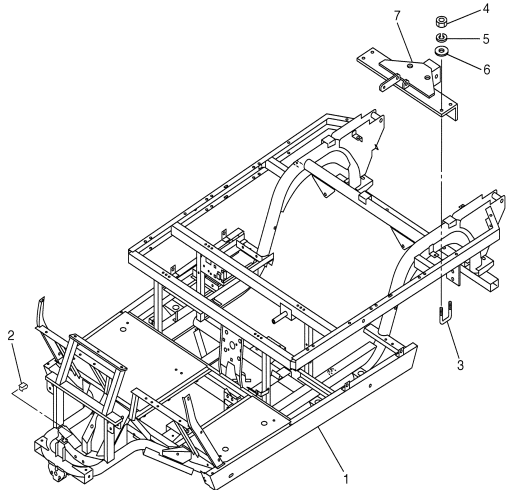
| | |
|------------------------|--------|
| ACCELERATOR | C1 |
| AIR SHROUD FAN | A8 |
| BODY | C11-12 |
| BODY 2 | D1 |
| BODY FITTING | D2 |
| BRAKE | B9-10 |
| BRAKE 2 | B11 |
| BRAKE 3 | B12 |
| BUMPER | C10 |
| CAMSHAFT VALVE | A7 |
| CARBURETOR | A10 |
| CARRIER | D3-4 |
| CRANKCASE | A12 |
| CRANKSHAFT PISTON | A6 |
| CYLINDER HEAD | A5 |
| ELECTRICAL 1 | D9 |
| ELECTRICAL 2 | D10-11 |
| ENGINE ASSEMBLY | A4 |
| ENGINE BRACKET | B1 |
| EXHAUST | A11 |
| FRAME | B3 |
| FRONT SUSPENSION WHEEL | B4-5 |
| FUEL TANK | B8 |
| GOVERNOR | C2 |
| HEADLIGHT | D8 |
| INTAKE | A9 |
| PRIMARY SHEAVE | C3 |
| REAR ARM SUSPENSION | B2 |
| REAR AXLE MOUNT WHEEL | C8 |
| SEAT | D5 |
| SECONDARY SHEAVE | C4 |
| SHIFTER CABLES | C9 |
| STARTING MOTOR | D6-7 |
| STEERING | B6-7 |
| TRANSMISSION 1 | C5-7 |



JU51110-C110

FRAME

| Ref. No. | Part Number | Description | Qty | Remarks |
|----------|-----------------|------------------|-----|---------|
| 1 | JU5-F2501-01-00 | FRAME COMP. | 1 | |
| 2 | JU0-F2567-00-00 | SUPPORT 1 | 1 | |
| 3 | 90109-10862-00 | BOLT | 2 | |
| 4 | 90170-10847-00 | NUT | 4 | |
| 5 | 9290P-10100-00 | WASHER | 4 | |
| 6 | 9290P-10200-00 | WASHER | 4 | |
| 7 | JW5-F722B-00-00 | BAR, TOW | 1 | |

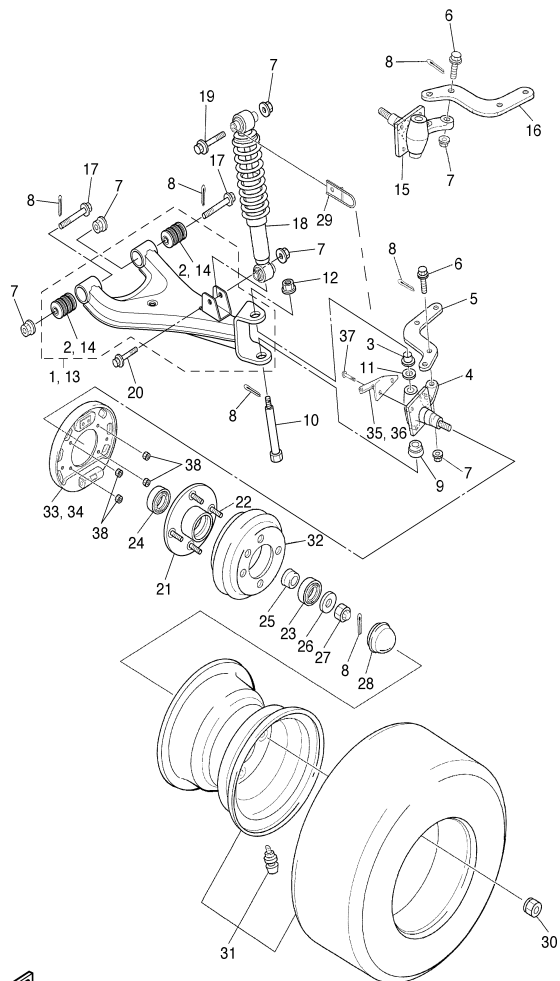


CONTENTS

| | |
|------------------------|--------|
| ACCELERATOR | C1 |
| AIR SHROUD FAN | A8 |
| BODY | C11-12 |
| BODY 2 | D1 |
| BODY FITTING | D2 |
| BRAKE | B9-10 |
| BRAKE 2 | B11 |
| BRAKE 3 | B12 |
| BUMPER | C10 |
| CAMSHAFT VALVE | A7 |
| CARBURETOR | A10 |
| CARRIER | D3-4 |
| CRANKCASE | A12 |
| CRANKSHAFT PISTON | A6 |
| CYLINDER HEAD | A5 |
| ELECTRICAL 1 | D9 |
| ELECTRICAL 2 | D10-11 |
| ENGINE ASSEMBLY | A4 |
| ENGINE BRACKET | B1 |
| EXHAUST | A11 |
| FRAME | B3 |
| FRONT SUSPENSION WHEEL | B4-5 |
| FUEL TANK | B8 |
| GOVERNOR | C2 |
| HEADLIGHT | D8 |
| INTAKE | A9 |
| PRIMARY SHEAVE | C3 |
| REAR ARM SUSPENSION | B2 |
| REAR AXLE MOUNT WHEEL | C8 |
| SEAT | D5 |
| SECONDARY SHEAVE | C4 |
| SHIFTER CABLES | C9 |
| STARTING MOTOR | D6-7 |
| STEERING | B6-7 |
| TRANSMISSION 1 | C5-7 |



JU51110-C120



FRONT SUSPENSION WHEEL

| Ref. No. | Part Number | Description | Qty | Remarks |
|----------|-----------------|-------------------------------|-----|---------|
| 1 | JU5-F3570-10-00 | FRONT LOWER ARM COMP. (LEFT) | 1 | |
| 2 | JN6-F3526-00-00 | BUSH | 2 | |
| 3 | 90384-15825-00 | BUSH, BIMETAL FORMED | 2 | |
| 4 | JR6-F3501-10-00 | STEERING KNUCKLE ASSY (LEFT) | 1 | |
| 5 | JN3-F3512-00-00 | ARM, KNUCKLE 1 | 1 | |
| 6 | 90105-10895-00 | BOLT, FLANGE | 4 | |
| 7 | 95607-10200-00 | NUT, U FLANGE | 12 | |
| 8 | 91401-25020-00 | PIN, COTTER | 12 | |
| 9 | J38-23527-00-00 | SEAL, DUST 1 | 2 | |
| 10 | JR6-F3516-00-00 | KING PIN, STEERING KNUCKLE | 2 | |
| 11 | 90201-158S6-00 | WASHER, PLATE | 2 | |
| 12 | 9560P-10200-00 | NUT, FLANGE | 2 | |
| 13 | JU5-F3580-10-00 | FRONT LOWER ARM COMP. (RIGHT) | 1 | |
| 14 | JN6-F3526-00-00 | BUSH | 2 | |
| 15 | JR6-F3502-10-00 | STEERING KNUCKLE ASSY (RIGHT) | 1 | |
| 16 | JN3-F3512-00-00 | ARM, KNUCKLE 1 | 1 | |
| 17 | 90105-10894-00 | BOLT, FLANGE | 4 | |
| 18 | JR6-F3350-00-00 | SHOCK ABSORBER ASSY | 2 | |
| 19 | 95807-10065-00 | BOLT, FLANGE | 2 | |
| 20 | 95807-10055-00 | BOLT, FLANGE | 2 | |
| 21 | JR6-F5110-00-00 | HUB ASSY, FRONT | 2 | |
| 22 | 90114-12803-00 | BOLT, SERRATION | 8 | |
| 23 | 93306-204X0-00 | BEARING | 2 | |
| 24 | 93306-005Y3-00 | BEARING | 2 | |
| 25 | 90387-241M7-00 | COLLAR | 2 | |
| 26 | 90209-32832-00 | WASHER | 2 | |

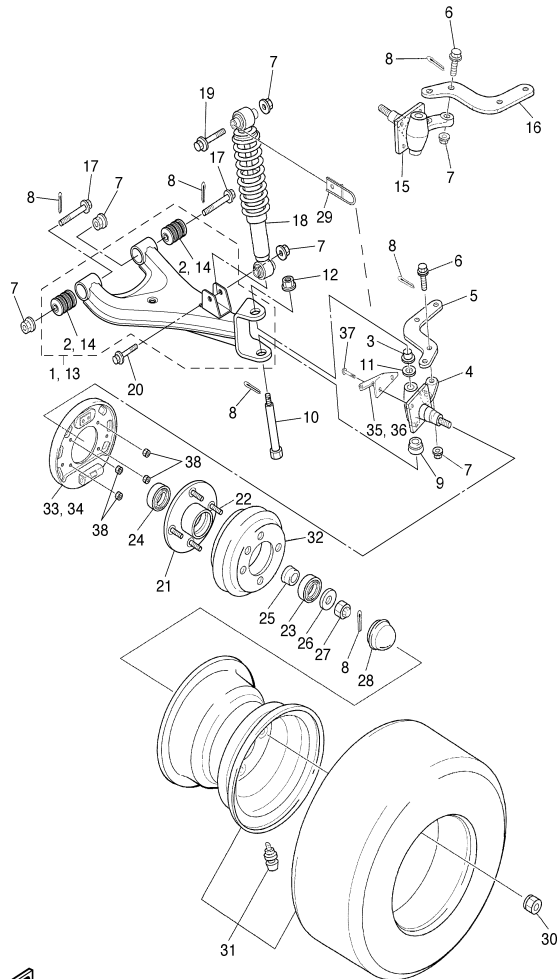
CONTENTS

| | |
|------------------------|--------|
| ACCELERATOR | C1 |
| AIR SHROUD FAN | A8 |
| BODY | C11-12 |
| BODY 2 | D1 |
| BODY FITTING | D2 |
| BRAKE | B9-10 |
| BRAKE 2 | B11 |
| BRAKE 3 | B12 |
| BUMPER | C10 |
| CAMSHAFT VALVE | A7 |
| CARBURETOR | A10 |
| CARRIER | D3-4 |
| CRANKCASE | A12 |
| CRANKSHAFT PISTON | A6 |
| CYLINDER HEAD | A5 |
| ELECTRICAL 1 | D9 |
| ELECTRICAL 2 | D10-11 |
| ENGINE ASSEMBLY | A4 |
| ENGINE BRACKET | B1 |
| EXHAUST | A11 |
| FRAME | B3 |
| FRONT SUSPENSION WHEEL | B4-5 |
| FUEL TANK | B8 |
| GOVERNOR | C2 |
| HEADLIGHT | D8 |
| INTAKE | A9 |
| PRIMARY SHEAVE | C3 |
| REAR ARM SUSPENSION | B2 |
| REAR AXLE MOUNT WHEEL | C8 |
| SEAT | D5 |
| SECONDARY SHEAVE | C4 |
| SHIFTER CABLES | C9 |
| STARTING MOTOR | D6-7 |
| STEERING | B6-7 |
| TRANSMISSION 1 | C5-7 |

CONTINUED ON NEXT FRAME ►



JU51110-C130



FRONT SUSPENSION WHEEL

| Ref. No. | Part Number | Description | Qty | Remarks |
|----------|-----------------|-----------------------------|-----|-------------------|
| 27 | 95607-14100-00 | NUT, U | 2 | |
| 28 | JN6-F5118-00-00 | COVER, HUB DUST | 2 | |
| 29 | JR6-F1339-00-00 | GUIDE, WIRE | 2 | |
| 30 | 90179-12262-00 | NUT | 8 | |
| 31 | JN6-F5100-20-00 | WHEEL ASSY (18X8.50-8 4PLY) | 2 | |
| 32 | JU0-G6521-00-00 | DRUM | 2 | |
| 33 | JN6-F7290-03-00 | BACKING PLATE ASSY 2 | 1 | SEE BRAKE 2 (L.H) |
| 34 | JN6-F7280-03-00 | BACKING PLATE ASSY 1 | 1 | SEE BRAKE 3 (R.H) |
| 35 | JR6-F7263-00-00 | BRACKET 1 | 1 | |
| 36 | JR6-F7264-00-00 | BRACKET 2 | 1 | |
| 37 | 9502P-08025-00 | BOLT, FLANGE | 8 | |
| 38 | 9560P-08200-00 | NUT | 8 | |

CONTENTS

| | |
|------------------------|--------|
| ACCELERATOR | C1 |
| AIR SHROUD FAN | A8 |
| BODY | C11-12 |
| BODY 2 | D1 |
| BODY FITTING | D2 |
| BRAKE | B9-10 |
| BRAKE 2 | B11 |
| BRAKE 3 | B12 |
| BUMPER | C10 |
| CAMSHAFT VALVE | A7 |
| CARBURETOR | A10 |
| CARRIER | D3-4 |
| CRANKCASE | A12 |
| CRANKSHAFT PISTON | A6 |
| CYLINDER HEAD | A5 |
| ELECTRICAL 1 | D9 |
| ELECTRICAL 2 | D10-11 |
| ENGINE ASSEMBLY | A4 |
| ENGINE BRACKET | B1 |
| EXHAUST | A11 |
| FRAME | B3 |
| FRONT SUSPENSION WHEEL | B4-5 |
| FUEL TANK | B8 |
| GOVERNOR | C2 |
| HEADLIGHT | D8 |
| INTAKE | A9 |
| PRIMARY SHEAVE | C3 |
| REAR ARM SUSPENSION | B2 |
| REAR AXLE MOUNT WHEEL | C8 |
| SEAT | D5 |
| SECONDARY SHEAVE | C4 |
| SHIFTER CABLES | C9 |
| STARTING MOTOR | D6-7 |
| STEERING | B6-7 |
| TRANSMISSION 1 | C5-7 |

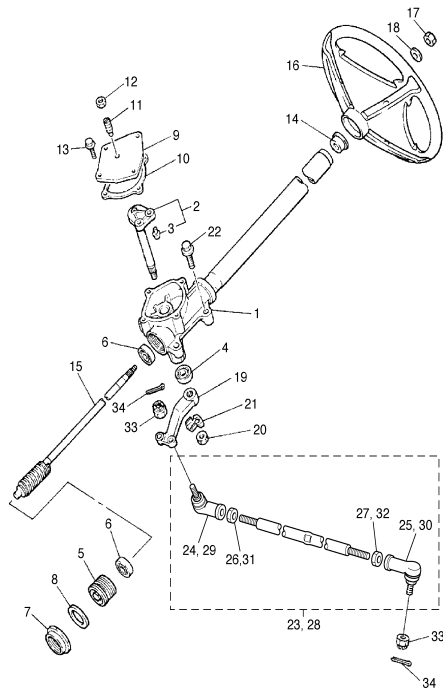
 JU51110-C130

STEERING

| Ref. No. | Part Number | Description | Qty | Remarks |
|----------|-----------------|----------------------|-----|---------|
| 1 | JG5-F3811-00-00 | COLUMN, STEERING | 1 | |
| 2 | J38-23816-00-00 | ARM, PITMAN | 1 | |
| 3 | J38-23836-00-00 | PIN, PITMAN | 2 | |
| 4 | 93102-22082-00 | OIL SEAL | 1 | |
| 5 | J55-F3876-00-00 | BOLT | 1 | |
| 6 | 93332-000Y2-00 | BEARING | 2 | |
| 7 | J10-23877-00-00 | NUT | 1 | |
| 8 | J10-23444-00-00 | WASHER | 1 | |
| 9 | JN3-F3818-00-00 | COVER, STEERING | 1 | |
| 10 | J38-23462-01-00 | SEAL, STEERING | 1 | |
| 11 | J10-F3459-00-00 | BOLT | 1 | |
| 12 | 90170-08024-00 | NUT | 1 | |
| 13 | 95807-06020-00 | BOLT, FLANGE | 4 | |
| 14 | JN3-F3814-00-00 | HOLDER, HANDLE UPPER | 1 | |
| 15 | J10-23840-00-00 | STEERING SHAFT ASSY | 1 | |
| 16 | JN3-F3838-00-00 | WHEEL, STEERING | 1 | |
| 17 | 90185-12061-00 | NUT, SELF-LOCKING | 1 | |
| 18 | 9290P-12200-00 | WASHER | 1 | |
| 19 | J38-23826-01-00 | ARM, IDLER | 1 | |
| 20 | 95707-16300-00 | NUT, FLANGE | 1 | |
| 21 | 90215-16814-00 | WASHER, LOCK | 1 | |
| 22 | 90105-10880-00 | BOLT, FLANGE | 4 | |
| 23 | JN6-F3830-11-00 | TIE ROD ASSY (L.H) | 1 | |
| 24 | JN6-F3841-00-00 | JOINT, UNIVERSAL 1 | 1 | |
| 25 | JN6-F3845-00-00 | JOINT, UNIVERSAL 2 | 1 | |
| 26 | 9530N-10600-00 | NUT | 1 | |
| 27 | 90170-10414-00 | NUT | 1 | |
| 28 | JN6-F3850-11-00 | TIE ROD ASSY (R.H) | 1 | |
| 29 | JN6-F3841-00-00 | JOINT, UNIVERSAL 1 | 1 | |
| 30 | JN6-F3845-00-00 | JOINT, UNIVERSAL 2 | 1 | |

CONTENTS

| | |
|------------------------|--------|
| ACCELERATOR | C1 |
| AIR SHROUD FAN | A8 |
| BODY | C11-12 |
| BODY 2 | D1 |
| BODY FITTING | D2 |
| BRAKE | B9-10 |
| BRAKE 2 | B11 |
| BRAKE 3 | B12 |
| BUMPER | C10 |
| CAMSHAFT VALVE | A7 |
| CARBURETOR | A10 |
| CARRIER | D3-4 |
| CRANKCASE | A12 |
| CRANKSHAFT PISTON | A6 |
| CYLINDER HEAD | A5 |
| ELECTRICAL 1 | D9 |
| ELECTRICAL 2 | D10-11 |
| ENGINE ASSEMBLY | A4 |
| ENGINE BRACKET | A11 |
| EXHAUST | B1 |
| FRAME | B3 |
| FRONT SUSPENSION WHEEL | B4-5 |
| FUEL TANK | B8 |
| GOVERNOR | C2 |
| HEADLIGHT | D8 |
| INTAKE | A9 |
| PRIMARY SHEAVE | C3 |
| REAR ARM SUSPENSION | B2 |
| REAR AXLE MOUNT WHEEL | C8 |
| SEAT | D5 |
| SECONDARY SHEAVE | C4 |
| SHIFTER CABLES | C9 |
| STARTING MOTOR | D6-7 |
| STEERING | B6-7 |
| TRANSMISSION 1 | C5-7 |



JU91110-C140

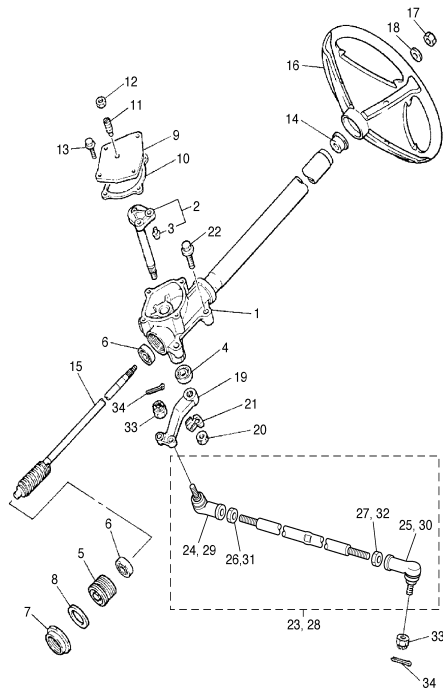
CONTINUED ON NEXT FRAME ►

STEERING

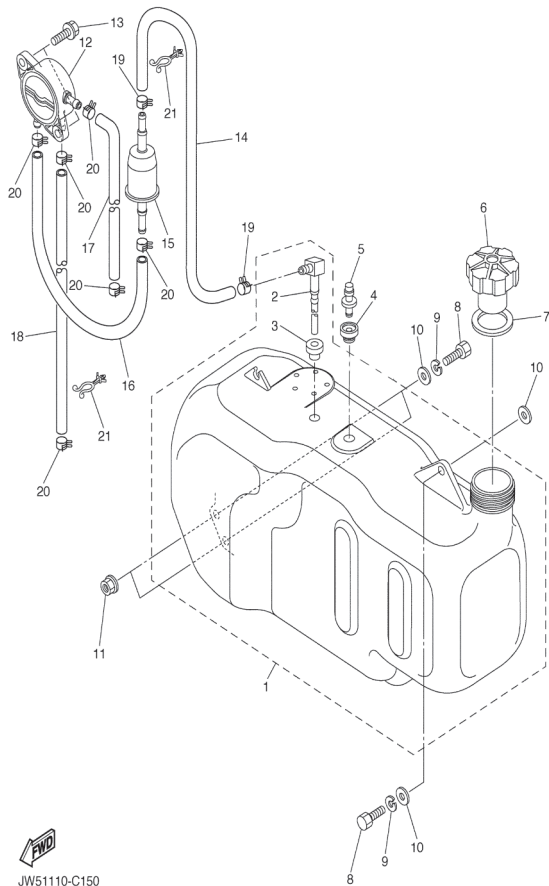
| Ref. No. | Part Number | Description | Qty | Remarks |
|----------|----------------|---------------------|-----|---------|
| 31 | 9530N-10600-00 | . NUT | 1 | |
| 32 | 90170-10414-00 | . NUT | 1 | |
| 33 | 95607-10200-00 | NUT, U FLANGE | 4 | |
| 34 | 91401-25020-00 | PIN, COTTER | 4 | |

CONTENTS

| | |
|------------------------|--------|
| ACCELERATOR | C1 |
| AIR SHROUD FAN | A8 |
| BODY | C11-12 |
| BODY 2 | D1 |
| BODY FITTING | D2 |
| BRAKE | B9-10 |
| BRAKE 2 | B11 |
| BRAKE 3 | B12 |
| BUMPER | C10 |
| CAMSHAFT VALVE | A7 |
| CARBURETOR | A10 |
| CARRIER | D3-4 |
| CRANKCASE | A12 |
| CRANKSHAFT PISTON | A6 |
| CYLINDER HEAD | A5 |
| ELECTRICAL 1 | D9 |
| ELECTRICAL 2 | D10-11 |
| ENGINE ASSEMBLY | A4 |
| ENGINE BRACKET | B1 |
| EXHAUST | A11 |
| FRAME | B3 |
| FRONT SUSPENSION WHEEL | B4-5 |
| FUEL TANK | B8 |
| GOVERNOR | C2 |
| HEADLIGHT | D8 |
| INTAKE | A9 |
| PRIMARY SHEAVE | C3 |
| REAR ARM SUSPENSION | B2 |
| REAR AXLE MOUNT WHEEL | C8 |
| SEAT | D5 |
| SECONDARY SHEAVE | C4 |
| SHIFTER CABLES | C9 |
| STARTING MOTOR | D6-7 |
| STEERING | B6-7 |
| TRANSMISSION 1 | C5-7 |



JU91110-C140



FWD
JWS1110-C150

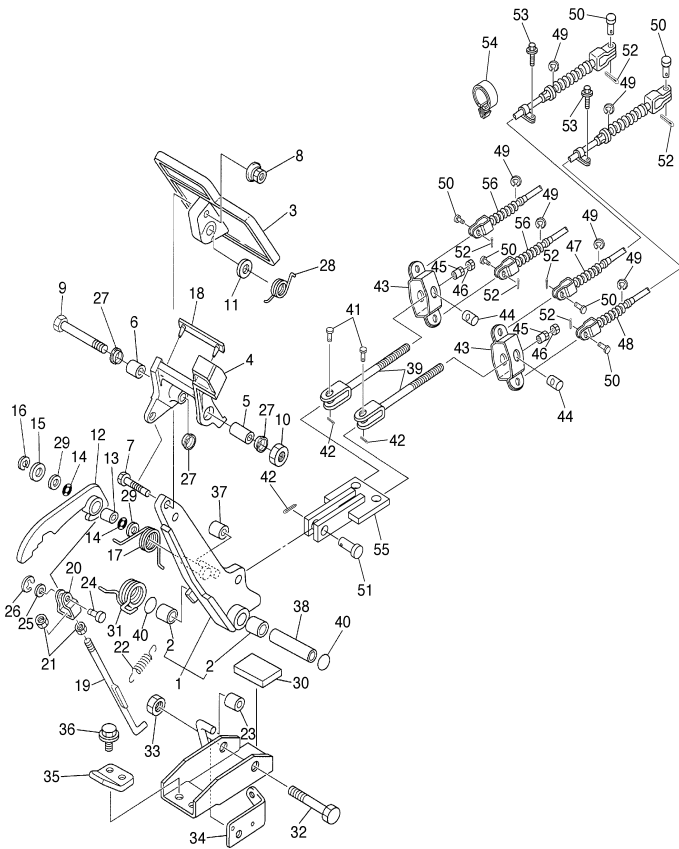
FUEL TANK

| Ref. No. | Part Number | Description | Qty | Remarks |
|----------|-----------------|--------------------------|-----|---------|
| 1 | JU5-F4110-00-00 | FUEL TANK COMP. | 1 | |
| 2 | JU5-F4300-00-00 | . FUEL PIPE JOINT | 1 | |
| 3 | JU5-F4375-00-00 | . GROMMET | 1 | |
| 4 | J10-21773-00-00 | GROMMET | 1 | |
| 5 | J24-24460-01-00 | RELEASE VALVE ASSY | 1 | |
| 6 | J24-24620-01-00 | BODY CAP ASSY | 1 | |
| 7 | J10-24612-00-00 | GASKET, CAP | 1 | |
| 8 | 97007-08025-00 | BOLT | 3 | |
| 9 | 92907-08100-00 | WASHER, SPRING | 3 | |
| 10 | 90201-088S2-00 | WASHER, PLATE | 4 | |
| 11 | 9560P-08200-00 | NUT | 2 | |
| 12 | JN6-F4410-10-00 | FUEL PUMP ASSY | 1 | |
| 13 | JN6-F3394-00-00 | BOLT, SPECIAL | 2 | |
| 14 | JU5-F4312-00-00 | PIPE 2 | 1 | |
| 15 | JN6-F4560-00-00 | FILTER ASSY | 1 | |
| 16 | JN6-F4311-20-00 | PIPE, FUEL 1 | 1 | |
| 17 | JN6-F4313-20-00 | PIPE 3 | 1 | |
| 18 | JN6-F4314-20-00 | PIPE 4 | 1 | |
| 19 | 90467-12845-00 | CLIP | 2 | |
| 20 | 90467-10846-00 | CLIP | 6 | |
| 21 | 90464-11816-00 | CLAMP | 2 | |

CONTENTS

| | |
|------------------------|--------|
| ACCELERATOR | C1 |
| AIR SHROUD FAN | A8 |
| BODY | C11-12 |
| BODY 2 | D1 |
| BODY FITTING | D2 |
| BRAKE | B9-10 |
| BRAKE 2 | B11 |
| BRAKE 3 | B12 |
| BUMPER | C10 |
| CAMSHAFT VALVE | A7 |
| CARBURETOR | A10 |
| CARRIER | D3-4 |
| CRANKCASE | A12 |
| CRANKSHAFT PISTON | A6 |
| CYLINDER HEAD | A5 |
| ELECTRICAL 1 | D9 |
| ELECTRICAL 2 | D10-11 |
| ENGINE ASSEMBLY | A4 |
| ENGINE BRACKET | B1 |
| EXHAUST | A11 |
| FRAME | B3 |
| FRONT SUSPENSION WHEEL | B4-5 |
| FUEL TANK | B8 |
| GOVERNOR | C2 |
| HEADLIGHT | D8 |
| INTAKE | A9 |
| PRIMARY SHEAVE | C3 |
| REAR ARM SUSPENSION | B2 |
| REAR AXLE MOUNT WHEEL | C8 |
| SEAT | D5 |
| SECONDARY SHEAVE | C4 |
| SHIFTER CABLES | C9 |
| STARTING MOTOR | D6-7 |
| STEERING | B6-7 |
| TRANSMISSION 1 | C5-7 |

B8



BRAKE

| Ref. No. | Part Number | Description | Qty | Remarks |
|----------|-----------------|----------------------------|-----|---------|
| 1 | J46-27250-03-00 | BRAKE ARM COMP. | 1 | |
| 2 | 90384-14080-00 | . BUSH, BIMETAL FORMED ... | 2 | |
| 3 | JU0-27211-01-00 | PEDAL, BRAKE | 1 | |
| 4 | JU0-25671-00-00 | PEDAL, PARKING BRAKE | 1 | |
| 5 | 90387-08014-00 | COLLAR | 1 | |
| 6 | 90387-08013-00 | COLLAR | 1 | |
| 7 | 97027-06035-00 | BOLT | 1 | |
| 8 | 90179-07564-00 | NUT | 1 | |
| 9 | 97027-08100-00 | BOLT | 1 | |
| 10 | 95307-08600-00 | NUT | 1 | |
| 11 | 92907-08200-00 | WASHER | 1 | |
| 12 | J17-25666-02-00 | SECTOR, PARKING BRAKE .. | 1 | |
| 13 | 90384-10162-00 | BUSH, BIMETAL FORMED | 1 | |
| 14 | J17-27221-00-00 | SEAL, SHAFT | 2 | |
| 15 | 92907-10600-00 | WASHER, PLATE | 1 | |
| 16 | 99001-07600-00 | CIRCLIP | 1 | |
| 17 | 90508-14548-00 | SPRING, TORSION | 1 | |
| 18 | J17-25672-01-00 | PAD, PARKING PEDAL | 1 | |
| 19 | J17-27231-03-00 | ROD, BRAKE | 1 | |
| 20 | J17-27232-00-00 | END, ROD 2 | 1 | |
| 21 | 95307-06700-00 | NUT | 2 | |
| 22 | 90506-09001-00 | SPRING, TENSION | 1 | |
| 23 | J17-25673-00-00 | DAMPER, BRAKE | 1 | |
| 24 | J17-27228-00-00 | PIN, JOINT | 1 | |
| 25 | 92907-05600-00 | WASHER, PLATE | 1 | |
| 26 | 99002-04600-00 | CIRCLIP | 1 | |
| 27 | 90387-12009-00 | COLLAR | 3 | |
| 28 | 90508-32015-00 | SPRING, TORSION | 1 | |
| 29 | 90201-104G8-00 | WASHER, PLATE | 2 | |
| 30 | JN3-F7245-00-00 | PAD, BRAKE PEDAL | 1 | |

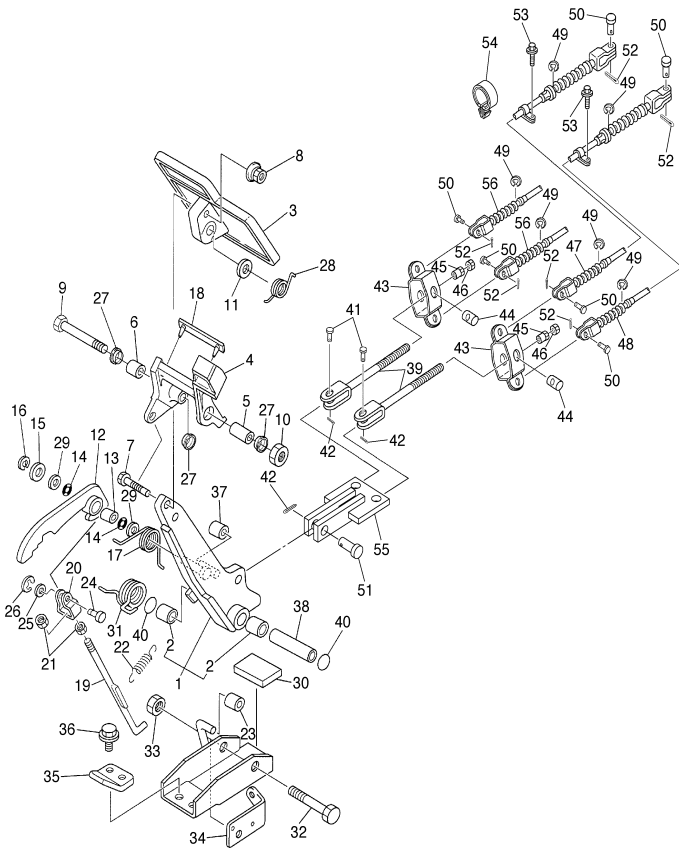
CONTENTS

| | |
|------------------------|--------|
| ACCELERATOR | C1 |
| AIR SHROUD FAN | A8 |
| BODY | C11-12 |
| BODY 2 | D1 |
| BODY FITTING | D2 |
| BRAKE | B9-10 |
| BRAKE 2 | B11 |
| BRAKE 3 | B12 |
| BUMPER | C10 |
| CAMSHAFT VALVE | A7 |
| CARBURETOR | A10 |
| CARRIER | D3-4 |
| CRANKCASE | A12 |
| CRANKSHAFT PISTON | A6 |
| CYLINDER HEAD | A5 |
| ELECTRICAL 1 | D9 |
| ELECTRICAL 2 | D10-11 |
| ENGINE ASSEMBLY | A4 |
| ENGINE BRACKET | B1 |
| EXHAUST | A11 |
| FRAME | B3 |
| FRONT SUSPENSION WHEEL | B4-5 |
| FUEL TANK | B8 |
| GOVERNOR | C2 |
| HEADLIGHT | D8 |
| INTAKE | A9 |
| PRIMARY SHEAVE | C3 |
| REAR ARM SUSPENSION | B2 |
| REAR AXLE MOUNT WHEEL | C8 |
| SEAT | D5 |
| SECONDARY SHEAVE | C4 |
| SHIFTER CABLES | C9 |
| STARTING MOTOR | D6-7 |
| STEERING | B6-7 |
| TRANSMISSION 1 | C5-7 |

CONTINUED ON NEXT FRAME ►



JU51110-C160



BRAKE

| Ref. No. | Part Number | Description | Qty | Remarks |
|----------|-----------------|------------------|-----|---------|
| 31 | 90508-40007-00 | SPRING, TORSION | 1 | |
| 32 | 90101-10884-00 | BOLT | 1 | |
| 33 | 95607-10200-00 | NUT, U FLANGE | 1 | |
| 34 | J55-2252M-00-00 | BRACKET, 3 | 1 | |
| 35 | J17-27246-00-00 | NAIL, BRAKE | 1 | |
| 36 | 90105-08878-00 | BOLT, FLANGE | 2 | |
| 37 | J17-25673-00-00 | DAMPER, BRAKE | 1 | |
| 38 | 90387-107F8-00 | COLLAR | 1 | |
| 39 | JN6-F5685-00-00 | ROD | 2 | |
| 40 | 93210-132A8-00 | O-RING | 2 | |
| 41 | 91701-10022-00 | PIN, CLEVIS | 2 | |
| 42 | 91490-30015-00 | PIN, COTTER | 3 | |
| 43 | J10-25681-00-00 | EQUALIZER, BRAKE | 2 | |
| 44 | 90249-14129-00 | PIN | 2 | |
| 45 | 90179-08894-00 | NUT | 2 | |
| 46 | 95307-08700-00 | NUT | 2 | |
| 47 | JJ3-F6341-01-00 | CABLE, BRAKE | 1 | |
| 48 | JJ3-F6351-02-00 | CABLE, BRAKE | 1 | |
| 49 | 99001-09600-00 | CIRCLIP | 8 | |
| 50 | 91701-08018-00 | PIN, CLEVIS | 8 | |
| 51 | 91701-10028-00 | PIN, CLEVIS | 1 | |
| 52 | 91490-25015-00 | PIN, COTTER | 8 | |
| 53 | 90105-06876-00 | BOLT, FLANGE | 2 | |
| 54 | 90464-19815-00 | CLAMP | 1 | |
| 55 | JR6-F7215-00-00 | LINK | 1 | |
| 56 | JR6-F6361-00-00 | CABLE, BRAKE | 2 | |

CONTENTS

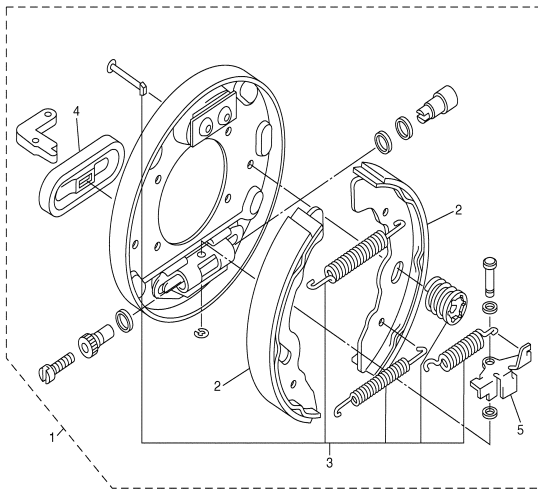
| | |
|------------------------|--------|
| ACCELERATOR | C1 |
| AIR SHROUD FAN | A8 |
| BODY | C11-12 |
| BODY 2 | D1 |
| BODY FITTING | D2 |
| BRAKE | B9-10 |
| BRAKE 2 | B11 |
| BRAKE 3 | B12 |
| BUMPER | C10 |
| CAMSHAFT VALVE | A7 |
| CARBURETOR | A10 |
| CARRIER | D3-4 |
| CRANKCASE | A12 |
| CRANKSHAFT PISTON | A6 |
| CYLINDER HEAD | A5 |
| ELECTRICAL 1 | D9 |
| ELECTRICAL 2 | D10-11 |
| ENGINE ASSEMBLY | A4 |
| ENGINE BRACKET | B1 |
| EXHAUST | A11 |
| FRAME | B3 |
| FRONT SUSPENSION WHEEL | B4-5 |
| FUEL TANK | B8 |
| GOVERNOR | C2 |
| HEADLIGHT | D8 |
| INTAKE | A9 |
| PRIMARY SHEAVE | C3 |
| REAR ARM SUSPENSION | B2 |
| REAR AXLE MOUNT WHEEL | C8 |
| SEAT | D5 |
| SECONDARY SHEAVE | C4 |
| SHIFTER CABLES | C9 |
| STARTING MOTOR | D6-7 |
| STEERING | B6-7 |
| TRANSMISSION 1 | C5-7 |



JU51110-C160

BRAKE 2

| Ref. No. | Part Number | Description | Qty | Remarks |
|----------|-----------------|--------------------------------|-----|------------------|
| 1 | JN6-F7290-03-00 | BACKING PLATE ASSY 2 | 2 | L/S FRONT & REAR |
| 2 | JN6-F5331-01-00 | . BRAKE SHOE SET | 1 | (FOR ONE WHEEL) |
| 3 | JN6-F819G-00-00 | . REPAIR PARTS KIT | 1 | |
| 4 | JN6-F7286-00-00 | . COVER, DUST | 1 | |
| 5 | JN6-F722E-00-00 | . LEVER, ADJUSTOR (LH) | 1 | |



CONTENTS

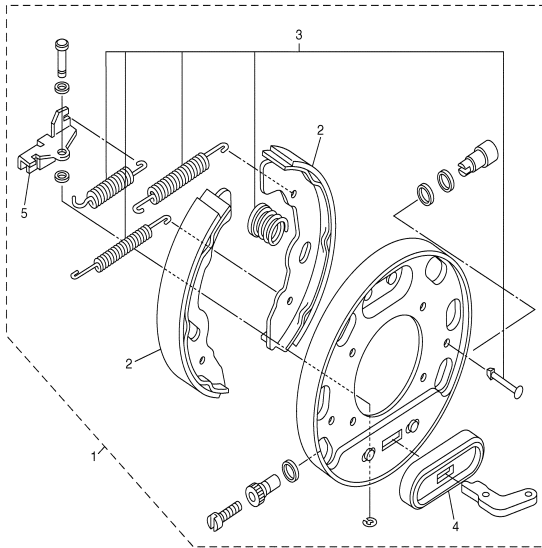
| | |
|------------------------|--------|
| ACCELERATOR | C1 |
| AIR SHROUD FAN | A8 |
| BODY | C11-12 |
| BODY 2 | D1 |
| BODY FITTING | D2 |
| BRAKE | B9-10 |
| BRAKE 2 | B11 |
| BRAKE 3 | B12 |
| BUMPER | C10 |
| CAMSHAFT VALVE | A7 |
| CARBURETOR | A10 |
| CARRIER | D3-4 |
| CRANKCASE | A12 |
| CRANKSHAFT PISTON | A6 |
| CYLINDER HEAD | A5 |
| ELECTRICAL 1 | D9 |
| ELECTRICAL 2 | D10-11 |
| ENGINE ASSEMBLY | A4 |
| ENGINE BRACKET | B1 |
| EXHAUST | A11 |
| FRAME | B3 |
| FRONT SUSPENSION WHEEL | B4-5 |
| FUEL TANK | B8 |
| GOVERNOR | C2 |
| HEADLIGHT | D8 |
| INTAKE | A9 |
| PRIMARY SHEAVE | C3 |
| REAR ARM SUSPENSION | B2 |
| REAR AXLE MOUNT WHEEL | C8 |
| SEAT | D5 |
| SECONDARY SHEAVE | C4 |
| SHIFTER CABLES | C9 |
| STARTING MOTOR | D6-7 |
| STEERING | B6-7 |
| TRANSMISSION 1 | C5-7 |



JT71010-B160

BRAKE 3

| Ref. No. | Part Number | Description | Qty | Remarks |
|----------|-----------------|------------------------|-----|------------------|
| 1 | JN6-F7280-03-00 | BACKING PLATE ASSY 1 | 2 | R/S FRONT & REAR |
| 2 | JN6-F5331-01-00 | . BRAKE SHOE SET | 1 | (FOR ONE WHEEL) |
| 3 | JN6-F819G-00-00 | . REPAIR PARTS KIT | 1 | |
| 4 | JN6-F7286-00-00 | . COVER, DUST | 1 | |
| 5 | JN6-F722F-00-00 | . LEVER, ADJUSTOR (RH) | 1 | |

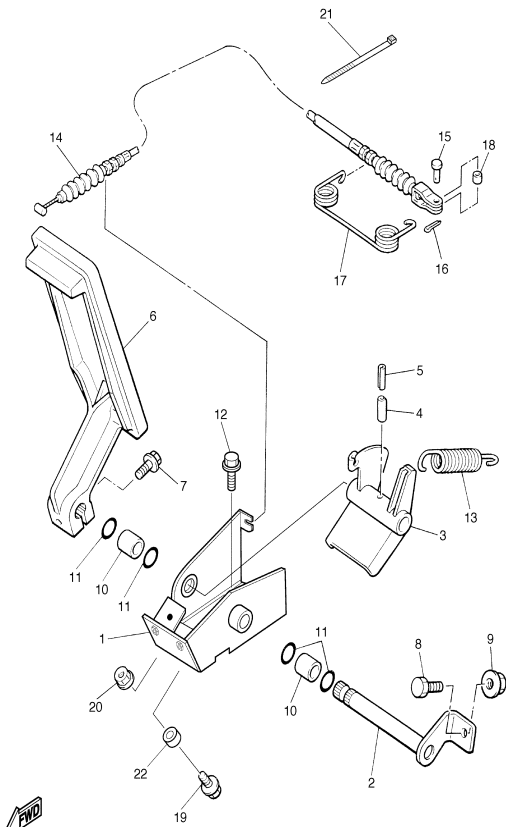


CONTENTS

| | |
|------------------------|--------|
| ACCELERATOR | C1 |
| AIR SHROUD FAN | A8 |
| BODY | C11-12 |
| BODY FITTING | D2 |
| BRAKE | B9-10 |
| BRAKE 2 | B11 |
| BRAKE 3 | B12 |
| BUMPER | C10 |
| CAMSHAFT VALVE | A7 |
| CARBURETOR | A10 |
| CARRIER | D3-4 |
| CRANKCASE | A12 |
| CRANKSHAFT PISTON | A6 |
| CYLINDER HEAD | A5 |
| ELECTRICAL 1 | D9 |
| ELECTRICAL 2 | D10-11 |
| ENGINE ASSEMBLY | A4 |
| ENGINE BRACKET | B1 |
| EXHAUST | A11 |
| FRAME | B3 |
| FRONT SUSPENSION WHEEL | B4-5 |
| FUEL TANK | B8 |
| GOVERNOR | C2 |
| HEADLIGHT | D8 |
| INTAKE | A9 |
| PRIMARY SHEAVE | C3 |
| REAR ARM SUSPENSION | B2 |
| REAR AXLE MOUNT WHEEL | C8 |
| SEAT | D5 |
| SECONDARY SHEAVE | C4 |
| SHIFTER CABLES | C9 |
| STARTING MOTOR | D6-7 |
| STEERING | B6-7 |
| TRANSMISSION 1 | C5-7 |



JT71010-B170



JT71010-B180

ACCELERATOR

| Ref. No. | Part Number | Description | Qty | Remarks |
|----------|-----------------|----------------------------------|-----|---------|
| 1 | JN6-F7874-01-00 | BRACKET, ACCELERATOR PEDAL | 1 | |
| 2 | J17-27853-01-00 | SHAFT, PEDAL 1 | 1 | |
| 3 | J38-27872-00-00 | ARM, ACCELERATOR PEDAL . | 1 | |
| 4 | 91609-60028-00 | PIN, SPRING | 1 | |
| 5 | 91609-35028-00 | PIN, SPRING | 1 | |
| 6 | J10-27871-01-00 | PEDAL, ACCELERATOR | 1 | |
| 7 | 95807-06025-00 | BOLT, FLANGE | 1 | |
| 8 | 90106-08806-00 | BOLT | 1 | |
| 9 | 95707-08500-00 | .NUT, FLANGE | 1 | |
| 10 | 90384-14080-00 | BUSH, BIMETAL FORMED | 2 | |
| 11 | 93210-14104-00 | O-RING | 4 | |
| 12 | 90105-08878-00 | BOLT, FLANGE | 3 | |
| 13 | 90506-26282-00 | SPRING, TENSION | 1 | |
| 14 | JJ3-F6311-00-00 | CABLE, THROTTLE 1 | 1 | |
| 15 | 91701-05012-00 | PIN, CLEVIS | 1 | |
| 16 | 90468-10049-00 | CLIP | 1 | |
| 17 | 90508-16460-00 | SPRING, TORSION | 1 | |
| 18 | 90560-05001-00 | SPACER | 1 | |
| 19 | 95807-06025-00 | BOLT, FLANGE | 1 | |
| 20 | 95707-06500-00 | NUT, FLANGE | 1 | |
| 21 | 90464-40825-00 | CLAMP | 2 | |
| 22 | 90387-068T4-00 | COLLAR | 1 | |

CONTENTS

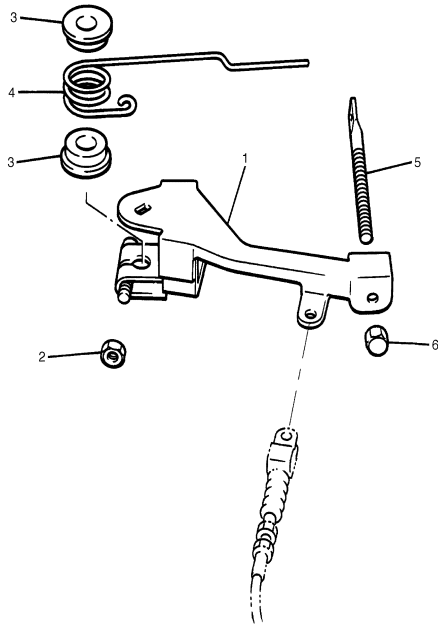
| | |
|------------------------|--------|
| ACCELERATOR | C1 |
| AIR SHROUD FAN | A8 |
| BODY | C11-12 |
| BODY 2 | D1 |
| BODY FITTING | D2 |
| BRAKE | B9-10 |
| BRAKE 2 | B11 |
| BRAKE 3 | B12 |
| BUMPER | C10 |
| CAMSHAFT VALVE | A7 |
| CARBURETOR | A10 |
| CARRIER | D3-4 |
| CRANKCASE | A12 |
| CRANKSHAFT PISTON | A6 |
| CYLINDER HEAD | A5 |
| ELECTRICAL 1 | D9 |
| ELECTRICAL 2 | D10-11 |
| ENGINE ASSEMBLY | A4 |
| ENGINE BRACKET | B1 |
| EXHAUST | A11 |
| FRAME | B3 |
| FRONT SUSPENSION WHEEL | B4-5 |
| FUEL TANK | B8 |
| GOVERNOR | C2 |
| HEADLIGHT | D8 |
| INTAKE | A9 |
| PRIMARY SHEAVE | C3 |
| REAR ARM SUSPENSION | B2 |
| REAR AXLE MOUNT WHEEL | C8 |
| SEAT | D5 |
| SECONDARY SHEAVE | C4 |
| SHIFTER CABLES | C9 |
| STARTING MOTOR | D6-7 |
| STEERING | B6-7 |
| TRANSMISSION 1 | C5-7 |

GOVERNOR

| Ref. No. | Part Number | Description | Qty | Remarks |
|----------|-----------------|----------------------------|-----|---------|
| 1 | J38-27951-00-00 | LEVER, SPEED LIMITER | 1 | |
| 2 | 95307-06600-00 | NUT | 1 | |
| 3 | 90386-08141-00 | BUSH | 2 | |
| 4 | 90508-40678-00 | SPRING, TORSION | 1 | |
| 5 | J38-27959-00-00 | SCREW, ADJUSTING | 1 | |
| 6 | 9560P-06200-00 | NUT, FLANGE | 1 | |

CONTENTS

| | |
|------------------------|--------|
| ACCELERATOR | C1 |
| AIR SHROUD FAN | A8 |
| BODY | C11-12 |
| BODY 2 | D1 |
| BODY FITTING | D2 |
| BRAKE | B9-10 |
| BRAKE 2 | B11 |
| BRAKE 3 | B12 |
| BUMPER | C10 |
| CAMSHAFT VALVE | A7 |
| CARBURETOR | A10 |
| CARRIER | D3-4 |
| CRANKCASE | A12 |
| CRANKSHAFT PISTON | A6 |
| CYLINDER HEAD | A5 |
| ELECTRICAL 1 | D9 |
| ELECTRICAL 2 | D10-11 |
| ENGINE ASSEMBLY | A4 |
| ENGINE BRACKET | B1 |
| EXHAUST | A11 |
| FRAME | B3 |
| FRONT SUSPENSION WHEEL | B4-5 |
| FUEL TANK | B8 |
| GOVERNOR | C2 |
| HEADLIGHT | D8 |
| INTAKE | A9 |
| PRIMARY SHEAVE | C3 |
| REAR ARM SUSPENSION | B2 |
| REAR AXLE MOUNT WHEEL | C8 |
| SEAT | D5 |
| SECONDARY SHEAVE | C4 |
| SHIFTER CABLES | C9 |
| STARTING MOTOR | D6-7 |
| STEERING | B6-7 |
| TRANSMISSION 1 | C5-7 |



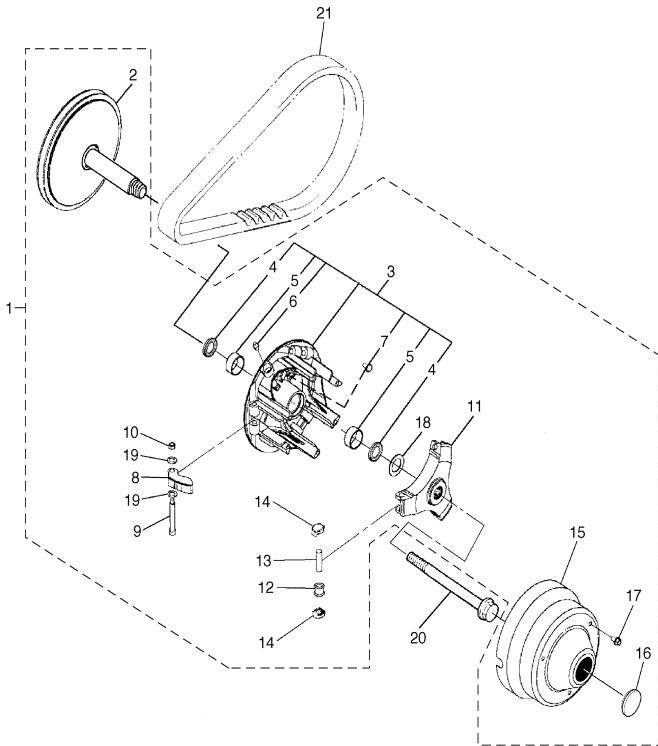
JT71010-B190

PRIMARY SHEAVE

| Ref. No. | Part Number | Description | Qty | Remarks |
|----------|-----------------|------------------------------|-----|---------|
| 1 | JN6-G6201-04-00 | PRIMARY FIXED SHEAVE ASSY | 1 | |
| 2 | JN6-G6210-00-00 | PRIMARY FIXED SHEAVE COMP. | 1 | |
| 3 | JN6-G6220-00-00 | PRIMARY SLIDING SHEAVE COMP. | 1 | |
| 4 | 93101-28831-00 | OIL SEAL | 2 | |
| 5 | 90384-27823-00 | BUSH, BIMETAL FORMED | 2 | |
| 6 | 93700-06810-00 | NIPPLE, GREASE | 1 | |
| 7 | 90338-04840-00 | PLUG | 3 | |
| 8 | JN6-G6232-01-00 | WEIGHT 1 | 3 | |
| 9 | 90109-06860-00 | BOLT | 3 | |
| 10 | 90185-06834-00 | NUT, SELF-LOCKING | 3 | |
| 11 | JN6-G6251-01-00 | SPIDER | 1 | |
| 12 | JN6-G6258-02-00 | COLLAR, ROLLER | 3 | |
| 13 | 93610-358A3-00 | PIN, DOWEL | 3 | |
| 14 | JN6-G6253-00-00 | SLIDER | 6 | |
| 15 | JU0-G6231-00-00 | CAP | 1 | |
| 16 | JU0-G6297-00-00 | COVER, DUST | 1 | |
| 17 | 90105-06861-00 | BOLT, FLANGE | 3 | |
| 18 | 90201-228K5-00 | WASHER, PLATE | 1 | |
| 19 | JN6-G621F-00-00 | SHIM, THRUST | 6 | |
| 20 | JN6-G6249-00-00 | BOLT | 1 | |
| 21 | J55-G6241-00-00 | V-BELT | 1 | |

CONTENTS

| | |
|------------------------|--------|
| ACCELERATOR | C1 |
| AIR SHROUD FAN | A8 |
| BODY | C11-12 |
| BODY 2 | D1 |
| BODY FITTING | D2 |
| BRAKE | B9-10 |
| BRAKE 2 | B11 |
| BRAKE 3 | B12 |
| BUMPER | C10 |
| CAMSHAFT VALVE | A7 |
| CARBURETOR | A10 |
| CARRIER | D3-4 |
| CRANKCASE | A12 |
| CRANKSHAFT PISTON | A6 |
| CYLINDER HEAD | A5 |
| ELECTRICAL 1 | D9 |
| ELECTRICAL 2 | D10-11 |
| ENGINE ASSEMBLY | A4 |
| ENGINE BRACKET | B1 |
| EXHAUST | A11 |
| FRAME | B3 |
| FRONT SUSPENSION WHEEL | B4-5 |
| FUEL TANK | B8 |
| GOVERNOR | C2 |
| HEADLIGHT | D8 |
| INTAKE | A9 |
| PRIMARY SHEAVE | C3 |
| REAR ARM SUSPENSION | B2 |
| REAR AXLE MOUNT WHEEL | C8 |
| SEAT | D5 |
| SECONDARY SHEAVE | C4 |
| SHIFTER CABLES | C9 |
| STARTING MOTOR | D6-7 |
| STEERING | B6-7 |
| TRANSMISSION 1 | C5-7 |



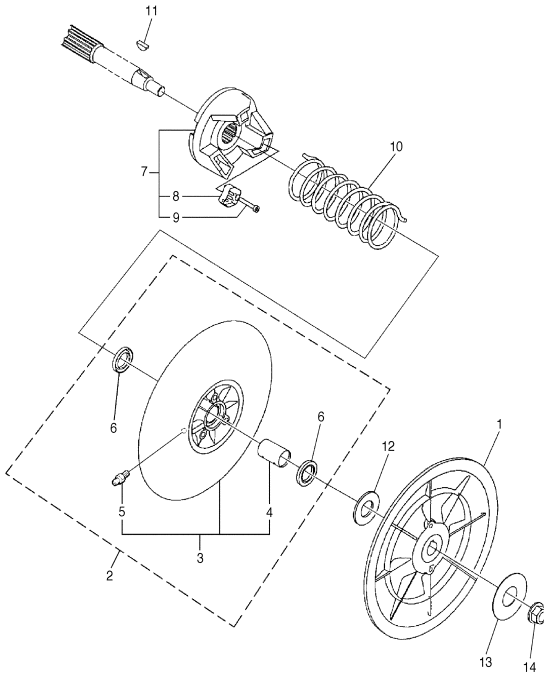
JT71010-B200

SECONDARY SHEAVE

| Ref. No. | Part Number | Description | Qty | Remarks |
|----------|-----------------|-------------------------------------|-----|---------|
| 1 | JN6-G6260-00-00 | SECONDARY FIXED SHEAVE COMP. | 1 | |
| 2 | JN6-G6270-01-00 | SECONDARY SLIDING SHEAVE COMP. | 1 | |
| 3 | JN6-G6271-02-00 | SECONDARY SLIDING SHEAVE | 1 | |
| 4 | 90384-20824-00 | BUSH, BIMETAL FORMED .. | 1 | |
| 5 | 93700-06809-00 | NIPPLE, GREASE | 1 | |
| 6 | 93109-20069-00 | OIL SEAL | 2 | |
| 7 | JN6-G6280-00-00 | SECONDARY SPRING SEAT COMP. | 1 | |
| 8 | JN6-E7688-00-00 | SHOE, RAMP | 3 | |
| 9 | 90110-04834-00 | BOLT, HEXAGON SOCKET HEAD | 3 | |
| 10 | 90508-45849-00 | SPRING, TORSION | 1 | |
| 11 | 90280-05022-00 | KEY, WOODRUFF | 1 | |
| 12 | 90202-20130-00 | WASHER, PLATE | 1 | |
| 13 | 90201-128S5-00 | WASHER, PLATE | 1 | |
| 14 | 95607-12200-00 | NUT, SELF-LOCKING | 1 | |

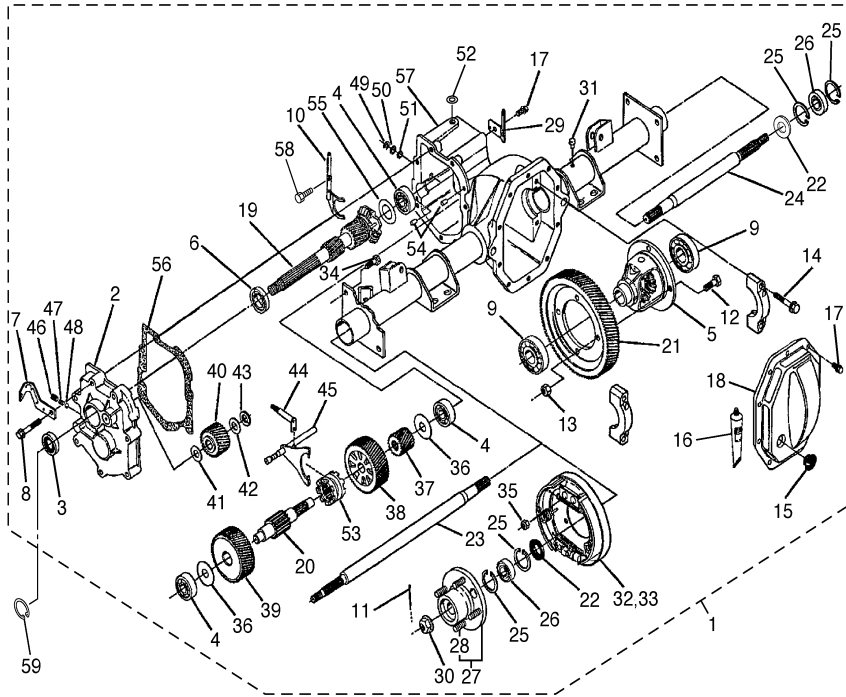
CONTENTS

| | |
|------------------------|--------|
| ACCELERATOR | C1 |
| AIR SHROUD FAN | A8 |
| BODY | C11-12 |
| BODY 2 | D1 |
| BODY FITTING | D2 |
| BRAKE | B9-10 |
| BRAKE 2 | B11 |
| BRAKE 3 | B12 |
| BUMPER | C10 |
| CAMSHAFT VALVE | A7 |
| CARBURETOR | A10 |
| CARRIER | D3-4 |
| CRANKCASE | A12 |
| CRANKSHAFT PISTON | A6 |
| CYLINDER HEAD | A5 |
| ELECTRICAL 1 | D9 |
| ELECTRICAL 2 | D10-11 |
| ENGINE ASSEMBLY | A4 |
| ENGINE BRACKET | B1 |
| EXHAUST | A11 |
| FRAME | B3 |
| FRONT SUSPENSION WHEEL | B4-5 |
| FUEL TANK | B8 |
| GOVERNOR | C2 |
| HEADLIGHT | D8 |
| INTAKE | A9 |
| PRIMARY SHEAVE | C3 |
| REAR ARM SUSPENSION | B2 |
| REAR AXLE MOUNT WHEEL | C8 |
| SEAT | D5 |
| SECONDARY SHEAVE | C4 |
| SHIFTER CABLES | C9 |
| STARTER MOTOR | D6-7 |
| STEERING | B6-7 |
| TRANSMISSION 1 | C5-7 |



JT71010-B210

TRANSMISSION 1



| Ref. No. | Part Number | Description | Qty | Remarks |
|----------|-----------------|----------------------------|-----|------------|
| 1 | JR6-G6300-02-00 | TRANS AXLE ASSY | 1 | |
| 2 | JN3-G6313-00-00 | . COVER, TRANSMISSION | 1 | |
| 3 | 93102-25868-00 | . OIL SEAL | 1 | |
| 4 | 93306-303Y6-00 | . BEARING | 3 | |
| 5 | JN6-G6410-00-00 | . DIFFERENTIAL ASSY. | 1 | |
| 6 | 93306-005Y4-00 | . BEARING | 1 | |
| 7 | JN6-G6555-00-00 | . BRACKET 2 | 1 | |
| 8 | 90105-08859-00 | . BOLT, FLANGE | 7 | |
| 9 | 93306-007Y0-00 | . BEARING | 2 | |
| 10 | JN3-G633E-01-00 | . BAR 1 | 1 | |
| 11 | 90252-36801-00 | . PIN, COTTER | 2 | |
| 12 | 90101-10854-00 | . BOLT | 4 | |
| 13 | 90170-10840-00 | . NUT | 4 | |
| 14 | 90105-10840-00 | . BOLT, FLANGE | 4 | |
| 15 | JN3-G6432-00-00 | . STOPPER | 1 | |
| 16 | JH7-G6136-00-00 | SEAL 1 | 1 | SEE NOTE A |
| 17 | 90101-08856-00 | . BOLT | 11 | |
| 18 | JN3-G6314-00-00 | . COVER, TRANSMISSION | 1 | |
| 19 | JR6-G6320-01-00 | . INPUT SHAFT ASSY | 1 | |
| 20 | JN3-G633G-00-00 | . SHAFT | 1 | |
| 21 | JN3-G6355-00-00 | . GEAR, PRIMARY | 1 | |
| 22 | 93101-31836-00 | . OIL SEAL | 2 | |
| 23 | JR3-G6511-00-00 | . SHAFT, REAR AXLE 1 (L.H) | 1 | |
| 24 | JR3-G6512-00-00 | . SHAFT, REAR AXLE 2 (R.H) | 1 | |
| 25 | 93420-52806-00 | . CIRCLIP | 4 | |
| 26 | 93306-205X2-00 | . BEARING | 2 | |
| 27 | JR3-G6514-00-00 | . HUB, REAR AXLE | 2 | |
| 28 | 90114-10804-00 | . BOLT, SERRATION | 4 | |
| 29 | JN3-G6556-00-00 | . BRACKET 3 | 1 | |
| 30 | 90185-19842-00 | . NUT, SELF-LOCKING | 2 | |

CONTENTS

| | |
|------------------------|--------|
| ACCELERATOR | C1 |
| AIR SHROUD FAN | A8 |
| BODY | C11-12 |
| BODY 2 | D1 |
| BODY FITTING | D2 |
| BRAKE | B9-10 |
| BRAKE 2 | B11 |
| BRAKE 3 | B12 |
| BUMPER | C10 |
| CAMSHAFT VALVE | A7 |
| CARBURETOR | A10 |
| CARRIER | D3-4 |
| CRANKCASE | A12 |
| CRANKSHAFT PISTON | A6 |
| CYLINDER HEAD | A5 |
| ELECTRICAL 1 | D9 |
| ELECTRICAL 2 | D10-11 |
| ENGINE ASSEMBLY | A4 |
| ENGINE BRACKET | B1 |
| EXHAUST | A11 |
| FRAME | B3 |
| FRONT SUSPENSION WHEEL | B4-5 |
| FUEL TANK | B8 |
| GOVERNOR | C2 |
| HEADLIGHT | D8 |
| INTAKE | A9 |
| PRIMARY SHEAVE | C3 |
| REAR ARM SUSPENSION | B2 |
| REAR AXLE MOUNT WHEEL | C8 |
| SEAT | D5 |
| SECONDARY SHEAVE | C4 |
| SHIFTER CABLES | C9 |
| STARTING MOTOR | D6-7 |
| STEERING | B6-7 |
| TRANSMISSION 1 | C5-7 |

CONTINUED ON NEXT FRAME ►

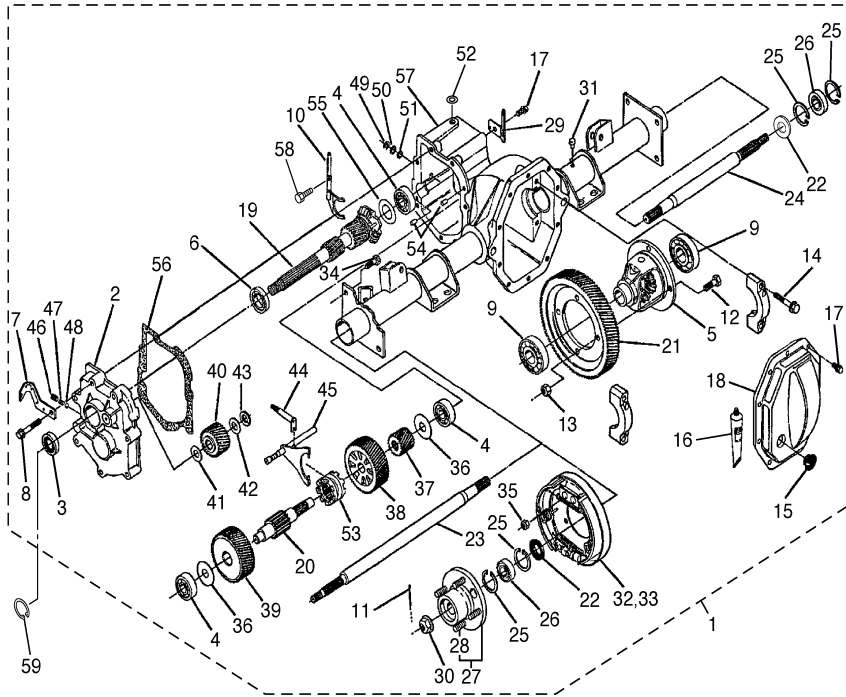
NOTE A: SEAL,1 (pn JH7-G6136-00) is not included in TRANS AXLE ASSY and is not available - use Quick Gasket ACC-11001-05-01.

C5



JU51110-C230

TRANSMISSION 1



| Ref. No. | Part Number | Description | Qty | Remarks |
|----------|-----------------|--------------------------|-----|-------------------|
| 31 | JH7-G5619-00-00 | . CAP | 1 | |
| 32 | JN6-F7290-03-00 | . BACKING PLATE ASSY 2 | 1 | SEE BRAKE 2 (L.H) |
| 33 | JN6-F7280-03-00 | . BACKING PLATE ASSY 1 | 1 | SEE BRAKE 3 (R.H) |
| 34 | 90101-08855-00 | . BOLT | 8 | |
| 35 | 90170-08841-00 | . NUT | 8 | |
| 36 | 90201-178H8-00 | . WASHER, PLATE | 2 | |
| 37 | JN3-G6316-00-00 | . GEAR, PINION 1 | 1 | |
| 38 | JR6-G6326-00-00 | . GEAR, WHEEL 1 | 1 | |
| 39 | JN3-G6327-00-00 | . GEAR, WHEEL 2 | 1 | |
| 40 | JN3-G6356-00-00 | . GEAR, IDLER | 1 | |
| 41 | 90201-208H9-00 | . WASHER, PLATE | 1 | |
| 42 | 90201-208J0-00 | . WASHER, PLATE | 1 | |
| 43 | 93440-20813-00 | . CIRCLIP | 1 | |
| 44 | JN3-G638A-00-00 | . BAR, SHIFT 1 | 1 | |
| 45 | JN6-G638E-00-00 | . BAR, SHIFT 2 | 1 | |
| 46 | 90113-08803-00 | . BOLT, SET | 1 | |
| 47 | 90501-10852-00 | . SPRING, COMPRESSION | 1 | |
| 48 | 93500-06826-00 | . BALL | 1 | |
| 49 | 93410-12822-00 | . CIRCLIP | 1 | |
| 50 | 90202-12807-00 | . WASHER, PLATE | 1 | |
| 51 | 93104-11829-00 | . OIL SEAL | 1 | |
| 52 | 93109-10820-00 | . O-RING | 1 | |
| 53 | JN3-G6153-00-00 | . COLLAR, GUIDE | 1 | |
| 54 | 93606-10842-00 | . PIN, DOWEL | 2 | |
| 55 | JN3-G6344-00-00 | . SHIM, 0.76MM (0.030IN) | 1 | UR |
| | JN3-G6344-10-00 | . SHIM, 0.90MM (0.035IN) | 1 | UR |
| | JN3-G6344-20-00 | . SHIM, 1.00MM (0.040IN) | 1 | UR |
| | JN3-G6344-30-00 | . SHIM, 1.14MM (0.045IN) | 1 | UR |
| | JN3-G6344-40-00 | . SHIM, 1.27MM (0.050IN) | 1 | UR |
| | JN3-G6344-50-00 | . SHIM, 1.39MM (0.055IN) | 1 | UR |

CONTENTS

| | |
|------------------------|--------|
| ACCELERATOR | C1 |
| AIR SHROUD FAN | A8 |
| BODY | C11-12 |
| BODY 2 | D1 |
| BODY FITTING | D2 |
| BRAKE | B9-10 |
| BRAKE 2 | B11 |
| BRAKE 3 | B12 |
| BUMPER | C10 |
| CAMSHAFT VALVE | A7 |
| CARBURETOR | A10 |
| CARRIER | D3-4 |
| CRANKCASE | A12 |
| CRANKSHAFT PISTON | A6 |
| CYLINDER HEAD | A5 |
| ELECTRICAL 1 | D9 |
| ELECTRICAL 2 | D10-11 |
| ENGINE ASSEMBLY | A4 |
| ENGINE BRACKET | B1 |
| EXHAUST | A11 |
| FRAME | B3 |
| FRONT SUSPENSION WHEEL | B4-5 |
| FUEL TANK | B8 |
| GOVERNOR | C2 |
| HEADLIGHT | D8 |
| INTAKE | A9 |
| PRIMARY SHEAVE | C3 |
| REAR ARM SUSPENSION | B2 |
| REAR AXLE MOUNT WHEEL | C8 |
| SEAT | D5 |
| SECONDARY SHEAVE | C4 |
| SHIFTER CABLES | C9 |
| STARTING MOTOR | D6-7 |
| STEERING | B6-7 |
| TRANSMISSION 1 | C5-7 |

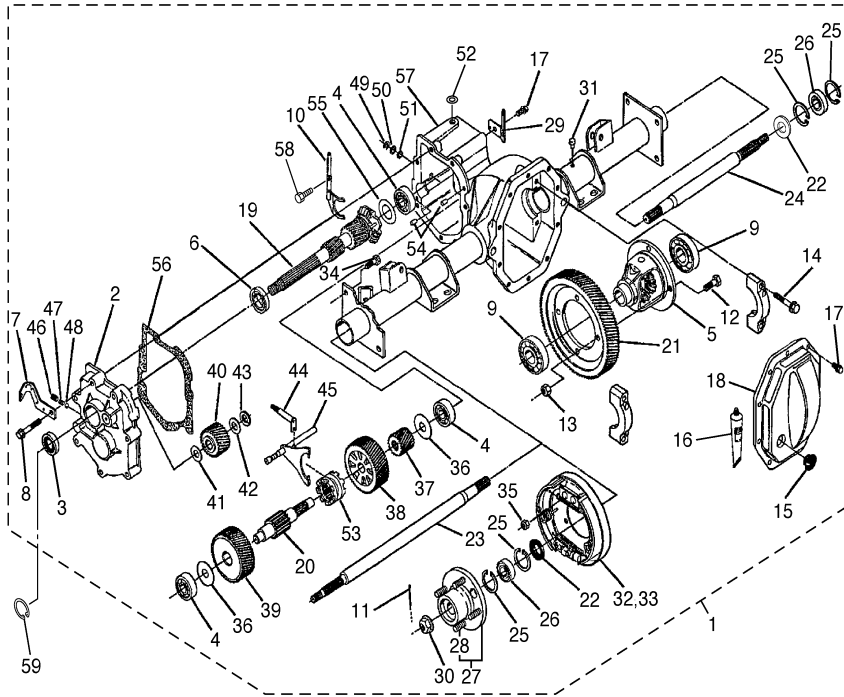
CONTINUED ON NEXT FRAME ►

TRANSMISSION 1

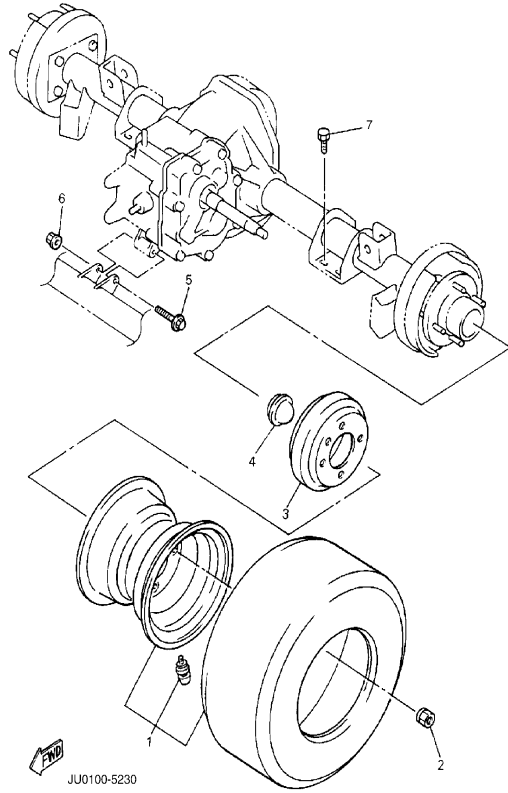
| Ref. No. | Part Number | Description | Qty | Remarks |
|----------|-----------------|----------------------------------|-----|---------|
| 55 | JN3-G6344-60-00 | . SHIM, 1.52MM (0.060IN) | 1 | UR |
| | JN3-G6344-70-00 | . SHIM, 1.65MM (0.065IN) | 1 | UR |
| | JN3-G6344-80-00 | . SHIM, 0.38MM (0.015IN) | 1 | UR |
| | JN3-G6344-90-00 | . SHIM, 1.78MM (0.070IN) | 1 | UR |
| | JN3-G6344-A0-00 | . SHIM, 1.92MM (0.075IN) | 1 | UR |
| | JN3-G6344-B0-00 | . SHIM, 2.03MM (0.080IN) | 1 | UR |
| | JN3-G6344-C0-00 | . SHIM, 2.12MM (0.085IN) | 1 | UR |
| | JN3-G6344-D0-00 | . SHIM, 2.29MM (0.090IN) | 1 | UR |
| 56 | JN3-G6319-00-00 | . GASKET | 1 | |
| 57 | JR3-G6290-02-00 | . CASE ASSY | 1 | |
| 58 | JN3-G6249-00-00 | . BOLT | 1 | |
| 59 | 93410-25017-00 | CIRCLIP | 1 | |

CONTENTS

| | |
|------------------------|--------|
| ACCELERATOR | C1 |
| AIR SHROUD FAN | A8 |
| BODY | C11-12 |
| BODY 2 | D1 |
| BODY FITTING | D2 |
| BRAKE | B9-10 |
| BRAKE 2 | B11 |
| BRAKE 3 | B12 |
| BUMPER | C10 |
| CAMSHAFT VALVE | A7 |
| CARBURETOR | A10 |
| CARRIER | D3-4 |
| CRANKCASE | A12 |
| CRANKSHAFT PISTON | A6 |
| CYLINDER HEAD | A5 |
| ELECTRICAL 1 | D9 |
| ELECTRICAL 2 | D10-11 |
| ENGINE ASSEMBLY | A4 |
| ENGINE BRACKET | B1 |
| EXHAUST | A11 |
| FRAME | B3 |
| FRONT SUSPENSION WHEEL | B4-5 |
| FUEL TANK | B8 |
| GOVERNOR | C2 |
| HEADLIGHT | D8 |
| INTAKE | A9 |
| PRIMARY SHEAVE | C3 |
| REAR ARM SUSPENSION | B2 |
| REAR AXLE MOUNT WHEEL | C8 |
| SEAT | D5 |
| SECONDARY SHEAVE | C4 |
| SHIFTER CABLES | C9 |
| STARTING MOTOR | D6-7 |
| STEERING | B6-7 |
| TRANSMISSION 1 | C5-7 |



REAR AXLE MOUNT WHEEL

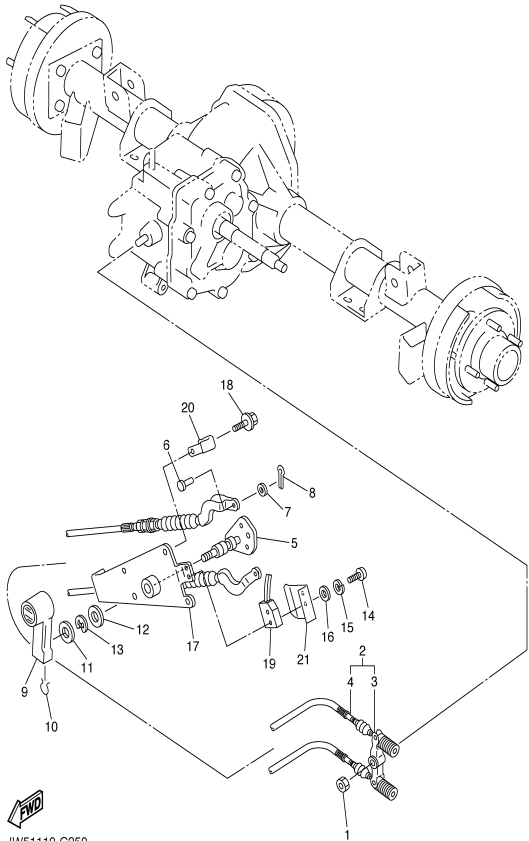


JU0100-5230

| Ref. No. | Part Number | Description | Qty | Remarks |
|----------|-----------------|-----------------------------|-----|---------|
| 1 | JR6-F5300-10-00 | WHEEL ASSY (18X8.50-8 6PLY) | 2 | |
| 2 | 90179-12262-00 | NUT | 8 | |
| 3 | JU0-G6521-00-00 | DRUM | 2 | |
| 4 | JN6-F5118-00-00 | COVER, HUB DUST | 2 | |
| 5 | 9581P-08075-00 | BOLT, FLANGE | 1 | |
| 6 | 95707-08500-00 | NUT, FLANGE | 1 | |
| 7 | 9751P-10620-00 | BOLT, WITH WASHER | 8 | |

CONTENTS

| | |
|------------------------|--------|
| ACCELERATOR | C1 |
| AIR SHROUD FAN | A8 |
| BODY | C11-12 |
| BODY 2 | D1 |
| BODY FITTING | D2 |
| BRAKE | B9-10 |
| BRAKE 2 | B11 |
| BRAKE 3 | B12 |
| BUMPER | C10 |
| CAMSHAFT VALVE | A7 |
| CARBURETOR | A10 |
| CARRIER | D3-4 |
| CRANKCASE | A12 |
| CRANKSHAFT PISTON | A6 |
| CYLINDER HEAD | A5 |
| ELECTRICAL 1 | D9 |
| ELECTRICAL 2 | D10-11 |
| ENGINE ASSEMBLY | A4 |
| ENGINE BRACKET | B1 |
| EXHAUST | A11 |
| FRAME | B3 |
| FRONT SUSPENSION WHEEL | B4-5 |
| FUEL TANK | B8 |
| GOVERNOR | C2 |
| HEADLIGHT | D8 |
| INTAKE | A9 |
| PRIMARY SHEAVE | C3 |
| REAR ARM SUSPENSION | B2 |
| REAR AXLE MOUNT WHEEL | C8 |
| SEAT | D5 |
| SECONDARY SHEAVE | C4 |
| SHIFTER CABLES | C9 |
| STARTING MOTOR | D6-7 |
| STEERING | B6-7 |
| TRANSMISSION 1 | C5-7 |



JW51110-C250

SHIFTER CABLES

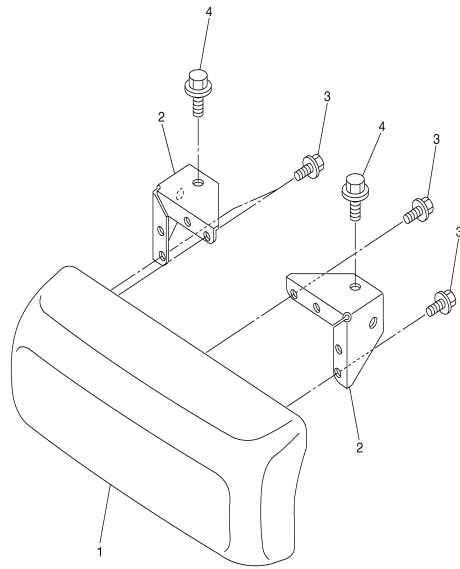
| Ref. No. | Part Number | Description | Qty | Remarks |
|----------|-----------------|---------------------------|-----|---------|
| 1 | 95607-08100-00 | NUT, U | 1 | |
| 2 | JJ3-G8330-01-00 | CABLE END ASSY | 1 | |
| 3 | J55-G6383-00-00 | . LEVER, SHIFT 2 | 1 | |
| 4 | JJ3-G6371-01-00 | . WIRE, SHIFT | 2 | |
| 5 | JF2-46382-00-00 | LEVER, SHIFT 1 | 1 | |
| 6 | 91701-06014-00 | PIN, CLEVIS | 2 | |
| 7 | 9290P-06600-00 | WASHER | 2 | |
| 8 | 91401-20012-00 | PIN, COTTER | 2 | |
| 9 | JN3-G6381-00-00 | KNOB, SHIFT | 1 | |
| 10 | JN3-G6376-00-00 | SPRING SET | 1 | |
| 11 | 90201-208S8-00 | WASHER, PLATE | 1 | |
| 12 | 90201-198S7-00 | WASHER, PLATE | 1 | |
| 13 | 99009-19400-00 | CIRCLIP | 1 | |
| 14 | 98507-04025-00 | SCREW, PAN HEAD | 2 | |
| 15 | 92907-04100-00 | WASHER, SPRING | 2 | |
| 16 | 92907-04600-00 | WASHER | 2 | |
| 17 | JN3-G6372-00-00 | BRACKET, SHIFT WIRE | 1 | |
| 18 | 90105-06876-00 | BOLT, FLANGE | 4 | |
| 19 | JN3-82617-01-00 | SWITCH | 1 | |
| 20 | 90465-06038-00 | CLAMP | 1 | |
| 21 | JJ3-G6394-00-00 | JOINT | 1 | |

CONTENTS

| | |
|------------------------|--------|
| ACCELERATOR | C1 |
| AIR SHROUD FAN | A8 |
| BODY | C11-12 |
| BODY 2 | D1 |
| BODY FITTING | D2 |
| BRAKE | B9-10 |
| BRAKE 2 | B11 |
| BRAKE 3 | B12 |
| BUMPER | C10 |
| CAMSHAFT VALVE | A7 |
| CARBURETOR | A10 |
| CARRIER | D3-4 |
| CRANKCASE | A12 |
| CRANKSHAFT PISTON | A6 |
| CYLINDER HEAD | A5 |
| ELECTRICAL 1 | D9 |
| ELECTRICAL 2 | D10-11 |
| ENGINE ASSEMBLY | A4 |
| ENGINE BRACKET | B1 |
| EXHAUST | A11 |
| FRAME | B3 |
| FRONT SUSPENSION WHEEL | B4-5 |
| FUEL TANK | B8 |
| GOVERNOR | C2 |
| HEADLIGHT | D8 |
| INTAKE | A9 |
| PRIMARY SHEAVE | C3 |
| REAR ARM SUSPENSION | B2 |
| REAR AXLE MOUNT WHEEL | C8 |
| SEAT | D5 |
| SECONDARY SHEAVE | C4 |
| SHIFTER CABLES | C9 |
| STARTING MOTOR | D6-7 |
| STEERING | B6-7 |
| TRANSMISSION 1 | C5-7 |

BUMPER

| Ref. No. | Part Number | Description | Qty | Remarks |
|----------|-----------------|----------------------------|-----|---------|
| 1 | JN3-K7510-02-00 | FRONT BUMPER COMP. | 1 | |
| 2 | JN8-K8164-00-00 | STAY, FRONT BUMPER (L.H) . | 2 | |
| 3 | 90105-06876-00 | BOLT, FLANGE | 4 | |
| 4 | 9581P-08016-00 | BOLT, FLANGE | 2 | |



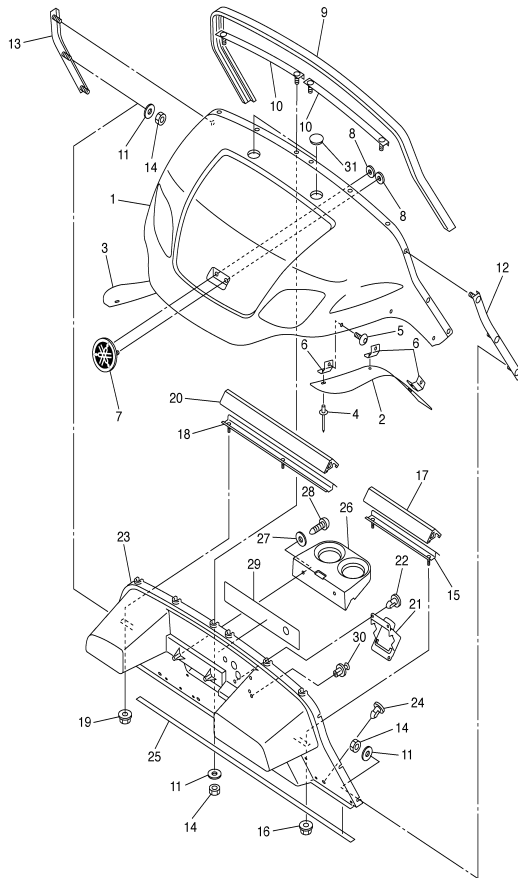
CONTENTS

| | |
|------------------------|--------|
| ACCELERATOR | C1 |
| AIR SHROUD FAN | A8 |
| BODY | C11-12 |
| BODY 2 | D1 |
| BODY FITTING | D2 |
| BRAKE | B9-10 |
| BRAKE 2 | B11 |
| BRAKE 3 | B12 |
| BUMPER | C10 |
| CAMSHAFT VALVE | A7 |
| CARBURETOR | A10 |
| CARRIER | D3-4 |
| CRANKCASE | A12 |
| CRANKSHAFT PISTON | A6 |
| CYLINDER HEAD | A5 |
| ELECTRICAL 1 | D9 |
| ELECTRICAL 2 | D10-11 |
| ENGINE ASSEMBLY | A4 |
| ENGINE BRACKET | B1 |
| EXHAUST | A11 |
| FRAME | B3 |
| FRONT SUSPENSION WHEEL | B4-5 |
| FUEL TANK | B8 |
| GOVERNOR | C2 |
| HEADLIGHT | D8 |
| INTAKE | A9 |
| PRIMARY SHEAVE | C3 |
| REAR ARM SUSPENSION | B2 |
| REAR AXLE MOUNT WHEEL | C8 |
| SEAT | D5 |
| SECONDARY SHEAVE | C4 |
| SHIFTER CABLES | C9 |
| STARTING MOTOR | D6-7 |
| STEERING | B6-7 |
| TRANSMISSION 1 | C5-7 |



JU51110-C260

C10



NOTE A: WHEN REPLACING " PANEL FRONT JU7-K8114-00-00", YOU SHOULD ALSO REPLACE "LABEL WARNING 1 JU5-K7761-00-00".

BODY

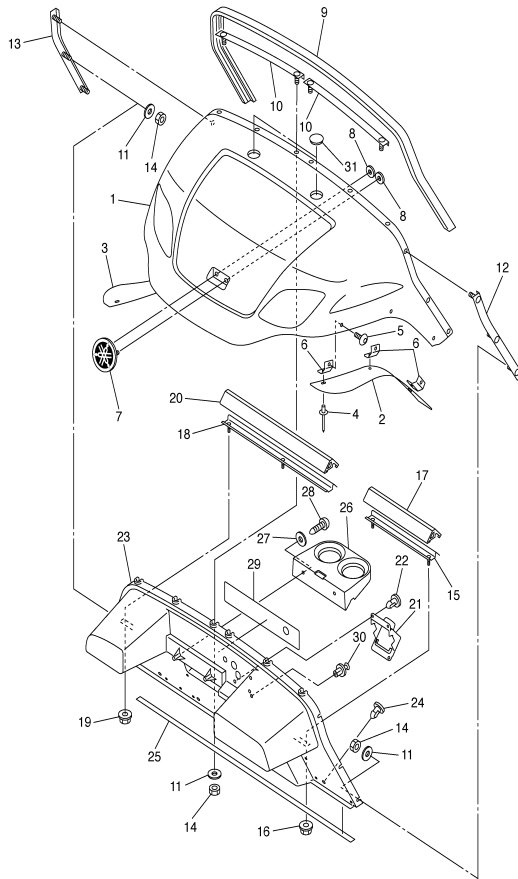
| Ref. No. | Part Number | Description | Qty | Remarks |
|----------|-----------------|---------------------------|-----|------------|
| 1 | JU6-K811A-00-00 | TRIM, UPPER COWL | 1 | |
| 2 | JR6-F1551-00-00 | FENDER, OVER | 1 | |
| 3 | JR6-F1555-00-00 | FENDER, OVER 2 | 1 | |
| 4 | 90267-48831-00 | RIVET, BLIND | 6 | |
| 5 | 90110-06836-00 | BOLT, HEXAGON SOCKET HEAD | 6 | |
| 6 | JR6-F1546-00-00 | STAY, FENDER 3 | 6 | |
| 7 | JU0-F4161-00-00 | EMBLEM 1 | 1 | |
| 8 | JU0-K7573-00-00 | NUT, SPECIAL | 2 | |
| 9 | JF2-K811V-00-00 | PROTECTOR 1 | 1 | |
| 10 | JU0-K8261-00-00 | PLATE, BODY PROTECT 1 | 2 | |
| 11 | 90201-06829-00 | WASHER, PLATE | 10 | |
| 12 | JF2-K8262-01-00 | PLATE, BODY PROTECT 2 | 1 | |
| 13 | JF2-K8263-01-00 | PLATE, BODY PRTOTECT 3 | 1 | |
| 14 | 90185-06836-00 | NUT, SELF-LOCKING | 10 | |
| 15 | JF2-K8264-00-00 | PLATE, BODY PROTECT 4 | 1 | |
| 16 | 9560P-06200-00 | NUT, FLANGE | 2 | |
| 17 | JF2-K811W-00-00 | PROTECTOR 2 | 1 | |
| 18 | JF2-K8265-00-00 | PLATE, BODY PROTECT 5 | 1 | |
| 19 | 9560P-06200-00 | NUT, FLANGE | 2 | |
| 20 | JF2-K811X-00-00 | PROTECTOR 3 | 1 | |
| 21 | JF2-78273-01-00 | COVER, HOLE | 1 | |
| 22 | 90269-11042-00 | RIVET | 3 | |
| 23 | JU7-K8114-00-00 | PANEL, FRONT | 1 | SEE NOTE A |
| 24 | 90269-08066-00 | RIVET | 3 | |
| 25 | JN3-K815G-00-00 | SEAL, FRONT STORAGE | 1 | |
| 26 | JF2-K835E-00-00 | HOLDER, BEVERAGE | 1 | |
| 27 | 90201-068R6-00 | WASHER, PLATE | 2 | |
| 28 | 9770P-60130-00 | SCREW, TAPPING | 2 | |
| 29 | JU5-K7761-00-00 | LABEL, WARNING 1 | 1 | SEE NOTE A |

CONTENTS

| | |
|------------------------|--------|
| ACCELERATOR | C1 |
| AIR SHROUD FAN | A8 |
| BODY | C11-12 |
| BODY 2 | D1 |
| BODY FITTING | D2 |
| BRAKE | B9-10 |
| BRAKE 2 | B11 |
| BRAKE 3 | B12 |
| BUMPER | C10 |
| CAMSHAFT VALVE | A7 |
| CARBURETOR | A10 |
| CARRIER | D3-4 |
| CRANKCASE | A12 |
| CRANKSHAFT PISTON | A6 |
| CYLINDER HEAD | A5 |
| ELECTRICAL 1 | D9 |
| ELECTRICAL 2 | D10-11 |
| ENGINE ASSEMBLY | A4 |
| ENGINE BRACKET | B1 |
| EXHAUST | A11 |
| FRAME | B3 |
| FRONT SUSPENSION WHEEL | B4-5 |
| FUEL TANK | B8 |
| GOVERNOR | C2 |
| HEADLIGHT | D8 |
| INTAKE | A9 |
| PRIMARY SHEAVE | C3 |
| REAR ARM SUSPENSION | B2 |
| REAR AXLE MOUNT WHEEL | C8 |
| SEAT | D5 |
| SECONDARY SHEAVE | C4 |
| SHIFTER CABLES | C9 |
| STARTING MOTOR | D6-7 |
| STEERING | B6-7 |
| TRANSMISSION 1 | C5-7 |

CONTINUED ON NEXT FRAME ►





NOTE A: WHEN REPLACING " PANEL FRONT JU7-K8114-00-00", YOU SHOULD ALSO REPLACE "LABEL WARNING 1 JU5-K7761-00-00".

BODY

| Ref. No. | Part Number | Description | Qty | Remarks |
|----------|-----------------|---------------------------|-----|---------|
| 30 | 90269-08069-00 | RIVET | 2 | |
| 31 | JN3-K818E-00-00 | CAP, PROTECTOR END 1 | 2 | |

CONTENTS

| | |
|------------------------|--------|
| ACCELERATOR | C1 |
| AIR SHROUD FAN | A8 |
| BODY | C11-12 |
| BODY 2 | D1 |
| BODY FITTING | D2 |
| BRAKE | B9-10 |
| BRAKE 2 | B11 |
| BRAKE 3 | B12 |
| BUMPER | C10 |
| CAMSHAFT VALVE | A7 |
| CARBURETOR | A10 |
| CARRIER | D3-4 |
| CRANKCASE | A12 |
| CRANKSHAFT PISTON | A6 |
| CYLINDER HEAD | A5 |
| ELECTRICAL 1 | D9 |
| ELECTRICAL 2 | D10-11 |
| ENGINE ASSEMBLY | A4 |
| ENGINE BRACKET | B1 |
| EXHAUST | A11 |
| FRAME | B3 |
| FRONT SUSPENSION WHEEL | B4-5 |
| FUEL TANK | B8 |
| GOVERNOR | C2 |
| HEADLIGHT | D8 |
| INTAKE | A9 |
| PRIMARY SHEAVE | C3 |
| REAR ARM SUSPENSION | B2 |
| REAR AXLE MOUNT WHEEL | C8 |
| SEAT | D5 |
| SECONDARY SHEAVE | C4 |
| SHIFTER CABLES | C9 |
| STARTING MOTOR | D6-7 |
| STEERING | B6-7 |
| TRANSMISSION 1 | C5-7 |



JU51110-C270

G23-A

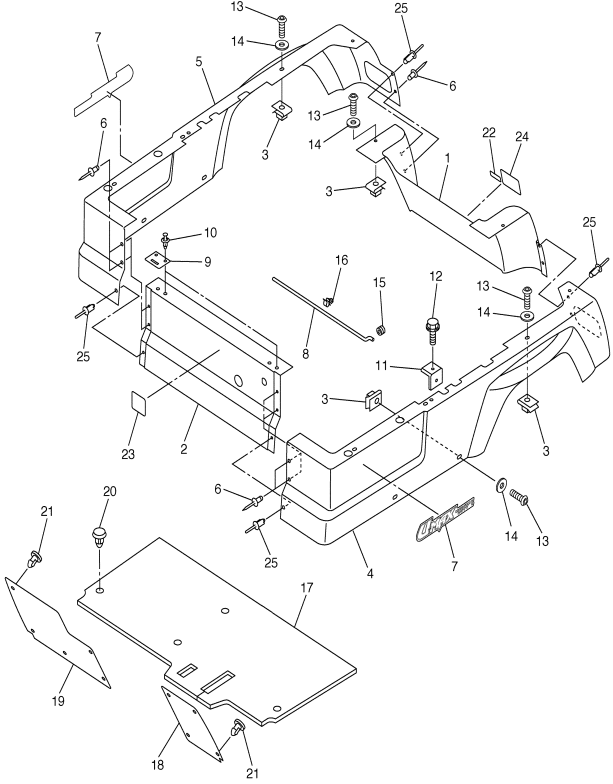
C12

BODY 2

| Ref. No. | Part Number | Description | Qty | Remarks |
|----------|-----------------|---------------------------|-----|------------|
| 1 | JU9-K8142-00-00 | PANEL, REAR BODY | 1 | SEE NOTE A |
| 2 | JU9-K8141-00-00 | PANEL, INTERMEDIATE BODY | 1 | SEE NOTE B |
| 3 | 90183-06811-00 | NUT, SPRING | 14 | |
| 4 | JU9-K8111-00-00 | PANEL, BODY SHELL | 1 | |
| 5 | JU9-K8112-00-00 | PANEL, BODY SHELL | 1 | |
| 6 | 90267-36853-00 | RIVET, BLIND | 6 | |
| 7 | JU5-F1781-00-00 | EMBLEM 1 | 2 | |
| 8 | JJ3-K8226-00-00 | ROD, SEAT STOPPER | 1 | |
| 9 | JJ3-K8427-01-00 | HINGE, SEAT 2 | 2 | |
| 10 | 90267-64834-00 | RIVET, BLIND | 4 | |
| 11 | JU9-K814H-00-00 | HOOK, BODY LOCK | 2 | |
| 12 | 90119-08800-00 | BOLT, WITH WASHER | 2 | |
| 13 | 90110-06836-00 | BOLT, HEXAGON SOCKET HEAD | 14 | |
| 14 | 90201-068R6-00 | WASHER, PLATE | 14 | |
| 15 | 90480-13018-00 | GROMMET | 1 | |
| 16 | 90464-10814-00 | CLAMP | 1 | |
| 17 | JN6-K8233-01-00 | MAT, MAIN FLOOR 3 | 1 | |
| 18 | JN6-K8231-01-00 | MAT, MAIN FLOOR 1 | 1 | |
| 19 | JN6-K8232-01-00 | MAT, MAIN FLOOR 2 | 1 | |
| 20 | 90269-08813-00 | RIVET | 4 | |
| 21 | 90267-63047-00 | RIVET, BLIND | 9 | |
| 22 | JJ3-K7765-00-00 | LABEL, WARNING 5 | 1 | SEE NOTE A |
| 23 | JN3-K7741-00-00 | INDICATOR 1 | 1 | SEE NOTE B |
| 24 | JU5-K7768-00-00 | LABEL, WARNING | 1 | SEE NOTE A |
| 25 | 90267-62841-00 | RIVET, BLIND | 4 | |

CONTENTS

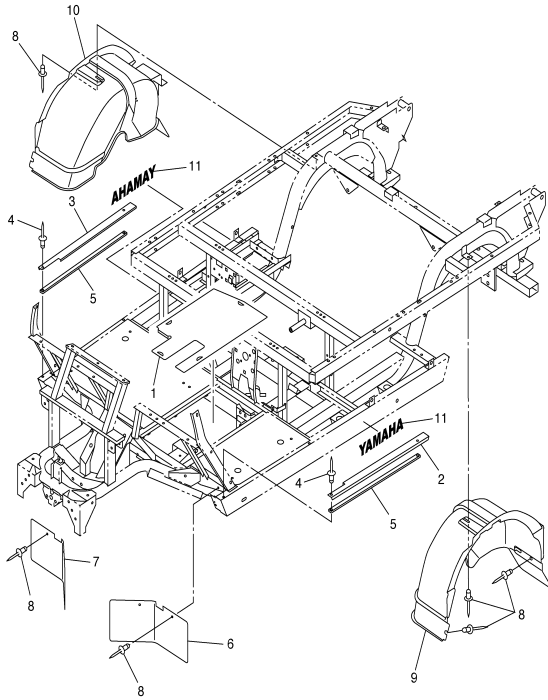
| | |
|------------------------|--------|
| ACCELERATOR | C1 |
| AIR SHROUD FAN | A8 |
| BODY | C11-12 |
| BODY 2 | D1 |
| BODY FITTING | D2 |
| BRAKE | B9-10 |
| BRAKE 2 | B11 |
| BRAKE 3 | B12 |
| BUMPER | C10 |
| CAMSHAFT VALVE | A7 |
| CARBURETOR | A10 |
| CARRIER | D3-4 |
| CRANKCASE | A12 |
| CRANKSHAFT PISTON | A6 |
| CYLINDER HEAD | A5 |
| ELECTRICAL 1 | D9 |
| ELECTRICAL 2 | D10-11 |
| ENGINE ASSEMBLY | A4 |
| ENGINE BRACKET | B1 |
| EXHAUST | A11 |
| FRAME | B3 |
| FRONT SUSPENSION WHEEL | B4-5 |
| FUEL TANK | B8 |
| GOVERNOR | C2 |
| HEADLIGHT | D8 |
| INTAKE | A9 |
| PRIMARY SHEAVE | C3 |
| REAR ARM SUSPENSION | B2 |
| REAR AXLE MOUNT WHEEL | C8 |
| SEAT | D5 |
| SECONDARY SHEAVE | C4 |
| SHIFTER CABLES | C9 |
| STARTING MOTOR | D6-7 |
| STEERING | B6-7 |
| TRANSMISSION 1 | C5-7 |



NOTE A: WHEN REPLACING "PANEL REAR BODY JU9-K8142-00-00", YOU MUST ALSO REPLACE "LABEL WARNING 5 JJ3-K7765-00-00", AND "LABEL WARNING JU5-K7768-00-00".

NOTE B: WHEN REPLACING "PANEL INTERMEDIATE BODY JU9-K8141-00-00", YOU MUST ALSO REPLACE "INDICATOR 1 JN3-K7741-00-00".

 JU51110-C280



BODY FITTING

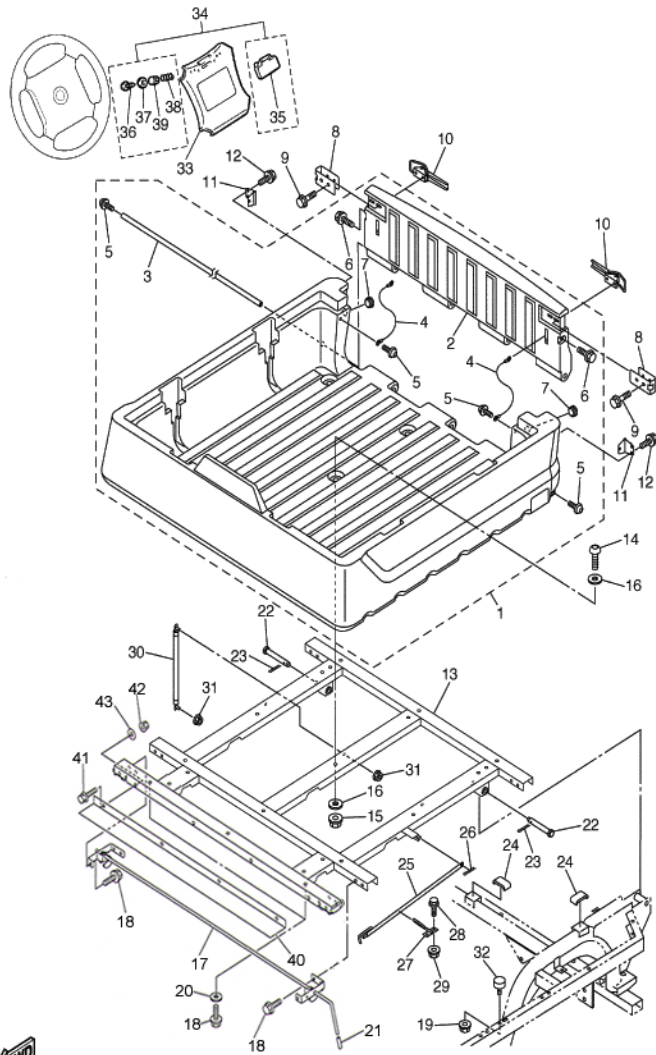
| Ref. No. | Part Number | Description | Qty | Remarks |
|----------|-----------------|--------------------------|-----|---------|
| 1 | JN6-K8271-00-00 | SERVICE LID, PEDAL | 1 | |
| 2 | JF2-K8215-10-00 | PLATE, SIDE TRIM | 1 | |
| 3 | JF2-K821F-10-00 | PLATE, SIDE TRIM | 1 | |
| 4 | 90267-48154-00 | RIVET, BLIND | 4 | |
| 5 | JJ3-K8124-00-00 | REINFORCEMENT 4 | 2 | |
| 6 | JF2-K8187-00-00 | FLAP, FRONT FENDER (L.H) | 1 | |
| 7 | JF2-K8189-00-00 | FLAP, FRONT FENDER (R.H) | 1 | |
| 8 | 90267-48831-00 | RIVET, BLIND | 10 | |
| 9 | JJ3-K8191-00-00 | PANEL, REAR FENDER 1 | 1 | |
| 10 | JJ3-K8192-00-00 | PANEL, REAR FENDER 2 | 1 | |
| 11 | JW5-F153A-00-00 | EMBLEM, YAMAHA | 2 | |

CONTENTS

| | |
|------------------------|--------|
| ACCELERATOR | C1 |
| AIR SHROUD FAN | A8 |
| BODY | C11-12 |
| BODY 2 | D1 |
| BODY FITTING | D2 |
| BRAKE | B9-10 |
| BRAKE 2 | B11 |
| BRAKE 3 | B12 |
| BUMPER | C10 |
| CAMSHAFT VALVE | A7 |
| CARBURETOR | A10 |
| CARRIER | D3-4 |
| CRANKCASE | A12 |
| CRANKSHAFT PISTON | A6 |
| CYLINDER HEAD | A5 |
| ELECTRICAL 1 | D9 |
| ELECTRICAL 2 | D10-11 |
| ENGINE ASSEMBLY | A4 |
| ENGINE BRACKET | B1 |
| EXHAUST | A11 |
| FRAME | B3 |
| FRONT SUSPENSION WHEEL | B4-5 |
| FUEL TANK | B8 |
| GOVERNOR | C2 |
| HEADLIGHT | D8 |
| INTAKE | A9 |
| PRIMARY SHEAVE | C3 |
| REAR ARM SUSPENSION | B2 |
| REAR AXLE MOUNT WHEEL | C8 |
| SEAT | D5 |
| SECONDARY SHEAVE | C4 |
| SHIFTER CABLES | C9 |
| STARTING MOTOR | D6-7 |
| STEERING | B6-7 |
| TRANSMISSION 1 | C5-7 |



JW51110-C290



FWD
 JU91110-C300
 Modified

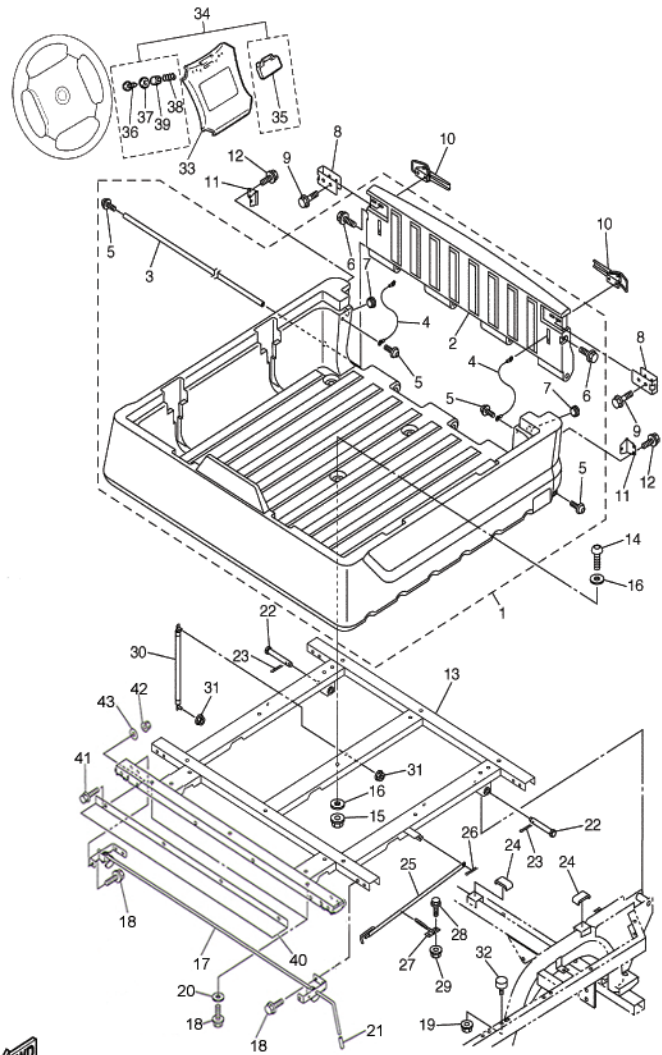
CARRIER

| Ref. No. | Part Number | Description | Qty | Remarks |
|----------|-----------------|------------------------------------|-----|---------|
| 1 | JU5-K810M-00-00 | REAR STORAGE BOX COMP. | 1 | |
| 2 | JU9-K819K-00-00 | . SHELL, RR. STORAGE LID | 1 | |
| 3 | JU9-K8564-00-00 | . PIN, HINGE | 1 | |
| 4 | JU9-K7195-00-00 | . HOLDER, CABLE | 2 | |
| 5 | JU9-K6179-00-00 | . BOLT, SPECIAL 1 | 4 | |
| 6 | JU9-K6189-00-00 | . BOLT, SPECIAL 2 | 2 | |
| 7 | JU9-K7739-10-00 | . DAMPER, LID | 2 | |
| 8 | JU9-K7171-00-00 | BODY, LATCH 1 | 2 | |
| 9 | JU9-K8384-00-00 | BOLT | 4 | |
| 10 | 5UG-F389E-00-00 | LATCH | 2 | |
| 11 | JU9-K7172-00-00 | BODY, LATCH 2 | 2 | |
| 12 | 90119-06830-00 | BOLT, WITH WASHER | 6 | |
| 13 | JU9-K818N-01-00 | BED, BOX | 1 | |
| 14 | 90111-10800-00 | BOLT, BUTTON HEAD | 7 | |
| 15 | 9560P-10200-00 | NUT, FLANGE | 7 | |
| 16 | 90201-10144-00 | WASHER, PLATE | 12 | |
| 17 | JU9-K8380-01-00 | LOCK ASSY | 1 | |
| 18 | 9582P-08020-00 | BOLT, FLANGE | 8 | |
| 19 | 9560P-08200-00 | NUT | 2 | |
| 20 | 90201-088P7-00 | WASHER, PLATE | 2 | |
| 21 | JJ3-K818M-00-00 | CAP, PROTECTOR END 4 | 1 | |
| 22 | 90240-13801-00 | PIN, CLEVIS | 2 | |
| 23 | 91401-30025-00 | PIN, SPLIT | 2 | |
| 24 | JJ3-K815H-01-00 | DAMPER, LOCK | 3 | |
| 25 | JU5-K8158-00-00 | ROD, INSPECTION LID | 1 | |
| 26 | 91401-20020-00 | PIN, COTTER | 1 | |
| 27 | JJ3-K8369-00-00 | PIN, LEVER | 1 | |
| 28 | 90119-06830-00 | BOLT, WITH WASHER | 2 | |
| 29 | 9560P-06200-00 | NUT, FLANGE | 2 | |
| 30 | JJ3-K7588-00-00 | DAMPER | 1 | |

CONTENTS

| | |
|------------------------|--------|
| ACCELERATOR | C1 |
| AIR SHROUD FAN | A8 |
| BODY | C11-12 |
| BODY 2 | D1 |
| BODY FITTING | D2 |
| BRAKE | B9-10 |
| BRAKE 2 | B11 |
| BRAKE 3 | B12 |
| BUMPER | C10 |
| CAMSHAFT VALVE | A7 |
| CARBURETOR | A10 |
| CARRIER | D3-4 |
| CRANKCASE | A12 |
| CRANKSHAFT PISTON | A6 |
| CYLINDER HEAD | A5 |
| ELECTRICAL 1 | D9 |
| ELECTRICAL 2 | D10-11 |
| ENGINE ASSEMBLY | A4 |
| ENGINE BRACKET | B1 |
| EXHAUST | A11 |
| FRAME | B3 |
| FRONT SUSPENSION WHEEL | B4-5 |
| FUEL TANK | B8 |
| GOVERNOR | C2 |
| HEADLIGHT | D8 |
| INTAKE | A9 |
| PRIMARY SHEAVE | C3 |
| REAR ARM SUSPENSION | B2 |
| REAR AXLE MOUNT WHEEL | C8 |
| SEAT | D5 |
| SECONDARY SHEAVE | C4 |
| SHIFTER CABLES | C9 |
| STARTING MOTOR | D6-7 |
| STEERING | B6-7 |
| TRANSMISSION 1 | C5-7 |

CONTINUED ON NEXT FRAME ►



FWD
 JU91110-C300
 Modified

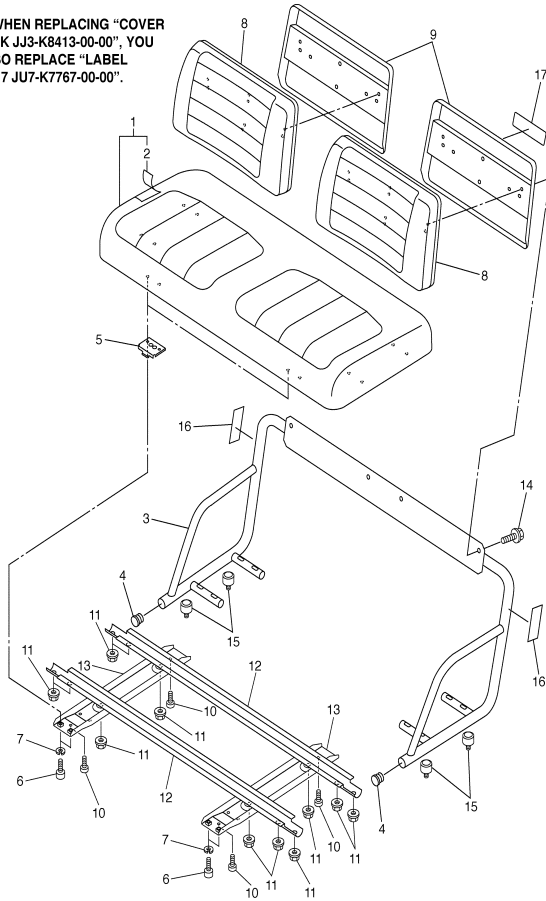
CARRIER

| Ref. No. | Part Number | Description | Qty | Remarks |
|----------|-----------------|--------------------------|-----|---------|
| 31 | 9560P-08200-00 | NUT | 2 | |
| 32 | JU5-K8167-10-00 | BUMPER, RUBBER 1 | 2 | |
| 33 | JN3-K8357-00-00 | HOLDER 1 | 1 | |
| 34 | JN6-W001D-00-00 | SCORE CARD HOLDER KIT .. | 1 | |
| 35 | JN6-K8358-01-00 | . HOLDER 2 | 1 | |
| 36 | 97707-40525-00 | . SCREW, TAPPING | 2 | |
| 37 | 90201-048R5-00 | . WASHER, PLATE | 2 | |
| 38 | 90502-10013-00 | . SPRING, CONICAL | 2 | |
| 39 | 90387-046N7-00 | . COLLAR | 2 | |
| 40 | JU9-K8284-01-00 | COVER, 4 | 1 | |
| 41 | 9582P-06016-00 | BOLT, FLANGE | 4 | |
| 42 | 9560P-06200-00 | NUT, FLANGE | 4 | |
| 43 | 90201-068R3-00 | WASHER, PLATE | 4 | |

CONTENTS

| | |
|------------------------|--------|
| ACCELERATOR | C1 |
| AIR SHROUD FAN | A8 |
| BODY | C11-12 |
| BODY 2 | D1 |
| BODY FITTING | D2 |
| BRAKE | B9-10 |
| BRAKE 2 | B11 |
| BRAKE 3 | B12 |
| BUMPER | C10 |
| CAMSHAFT VALVE | A7 |
| CARBURETOR | A10 |
| CARRIER | D3-4 |
| CRANKCASE | A12 |
| CRANKSHAFT PISTON | A6 |
| CYLINDER HEAD | A5 |
| ELECTRICAL 1 | D9 |
| ELECTRICAL 2 | D10-11 |
| ENGINE ASSEMBLY | A4 |
| ENGINE BRACKET | B1 |
| EXHAUST | A11 |
| FRAME | B3 |
| FRONT SUSPENSION WHEEL | B4-5 |
| FUEL TANK | B8 |
| GOVERNOR | C2 |
| HEADLIGHT | D8 |
| INTAKE | A9 |
| PRIMARY SHEAVE | C3 |
| REAR ARM SUSPENSION | B2 |
| REAR AXLE MOUNT WHEEL | C8 |
| SEAT | D5 |
| SECONDARY SHEAVE | C4 |
| SHIFTER CABLES | C9 |
| STARTING MOTOR | D6-7 |
| STEERING | B6-7 |
| TRANSMISSION 1 | C5-7 |

NOTE B: WHEN REPLACING "COVER SEAT BACK JJ3-K8413-00-00", YOU MUST ALSO REPLACE "LABEL WARNING 7 JU7-K7767-00-00".



NOTE A: WHEN REPLACING "SEAT ASSY 2 JU9-K8420-00-00", YOU MUST ALSO REPLACE "LABEL WARNING 4 5UG-K7764-00-00".

SEAT

| Ref. No. | Part Number | Description | Qty | Remarks |
|----------|-----------------|------------------------|-----|------------|
| 1 | JU9-K8401-00-00 | SEAT SUB-ASSY, CUSHION | 1 | |
| 2 | JU9-K8404-00-00 | COVER, SEAT | 1 | |
| 3 | JU9-K8420-00-00 | SEAT ASSY 2 | 1 | SEE NOTE A |
| 4 | JU7-F111A-00-00 | CAP, MAIN PIPE | 2 | |
| 5 | JN3-K8426-01-00 | HINGE, SEAT 1 | 2 | |
| 6 | 90111-06810-00 | BOLT | 4 | |
| 7 | 90204-06807-00 | WASHER, SPRING | 4 | |
| 8 | JU7-K8402-00-00 | SEAT SUB ASSY, BACK | 2 | |
| 9 | JJ3-K8413-10-00 | COVER, SEAT BACK | 2 | SEE NOTE B |
| 10 | 90167-04815-00 | SCREW, TAPPING | 4 | |
| 11 | 9560P-08200-00 | NUT | 12 | |
| 12 | JN6-K8121-00-00 | REINFORCEMENT 1 | 2 | |
| 13 | JN6-K8122-02-00 | REINFORCEMENT 2 | 2 | |
| 14 | 90119-06837-00 | BOLT, WITH WASHER | 4 | |
| 15 | JU5-K8167-00-00 | BUMPER, RUBBER 1 | 4 | |
| 16 | 5UG-K7764-00-00 | LABEL, WARNING 4 | 2 | SEE NOTE A |
| 17 | JU7-K7767-00-00 | LABEL, WARNING 7 | 1 | SEE NOTE B |

CONTENTS

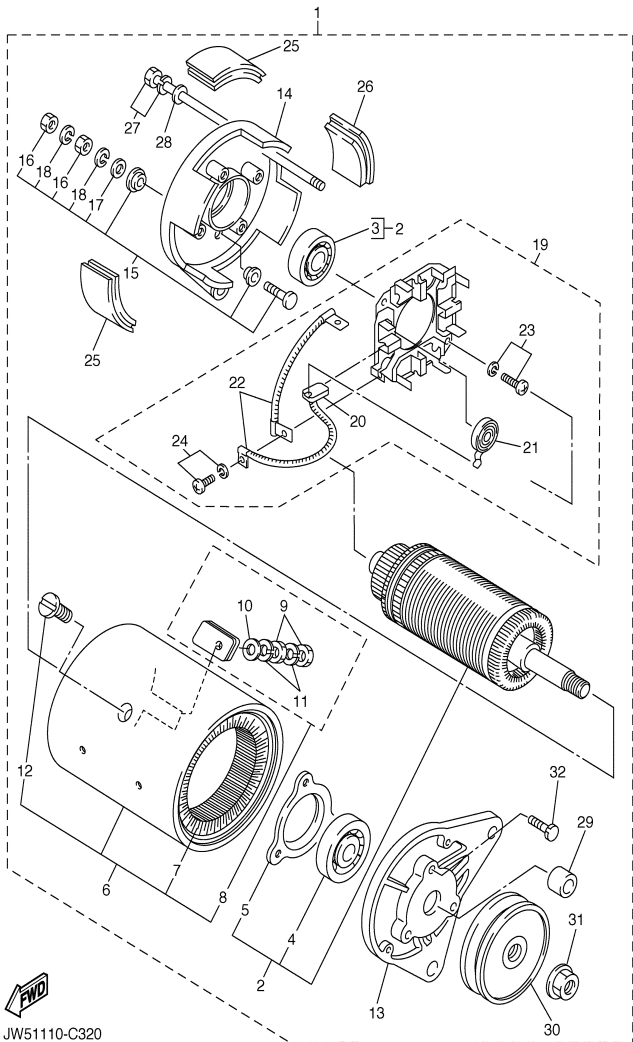
| | |
|------------------------|--------|
| ACCELERATOR | C1 |
| AIR SHROUD FAN | A8 |
| BODY | C11-12 |
| BODY FITTING | D1 |
| BRAKE | D2 |
| BRAKE 2 | B9-10 |
| BRAKE 3 | B11 |
| BUMPER | B12 |
| CAMSHAFT VALVE | C10 |
| CARBURETOR | A7 |
| CARRIER | A10 |
| CRANKCASE | D3-4 |
| CRANKSHAFT PISTON | A12 |
| CYLINDER HEAD | A6 |
| ELECTRICAL 1 | A5 |
| ELECTRICAL 2 | D9 |
| ENGINE ASSEMBLY | D10-11 |
| ENGINE BRACKET | A4 |
| EXHAUST | B1 |
| FRAME | A11 |
| FRONT SUSPENSION WHEEL | B3 |
| FUEL TANK | B4-5 |
| GOVERNOR | B8 |
| HEADLIGHT | C2 |
| INTAKE | D8 |
| PRIMARY SHEAVE | A9 |
| REAR ARM SUSPENSION | C3 |
| REAR AXLE MOUNT WHEEL | B2 |
| SEAT | C8 |
| SECONDARY SHEAVE | D5 |
| SHIFTER CABLES | C4 |
| STARTING MOTOR | C9 |
| STEERING | D6-7 |
| TRANSMISSION 1 | B6-7 |
| | C5-7 |



JW51110-C310

G23-A

D5



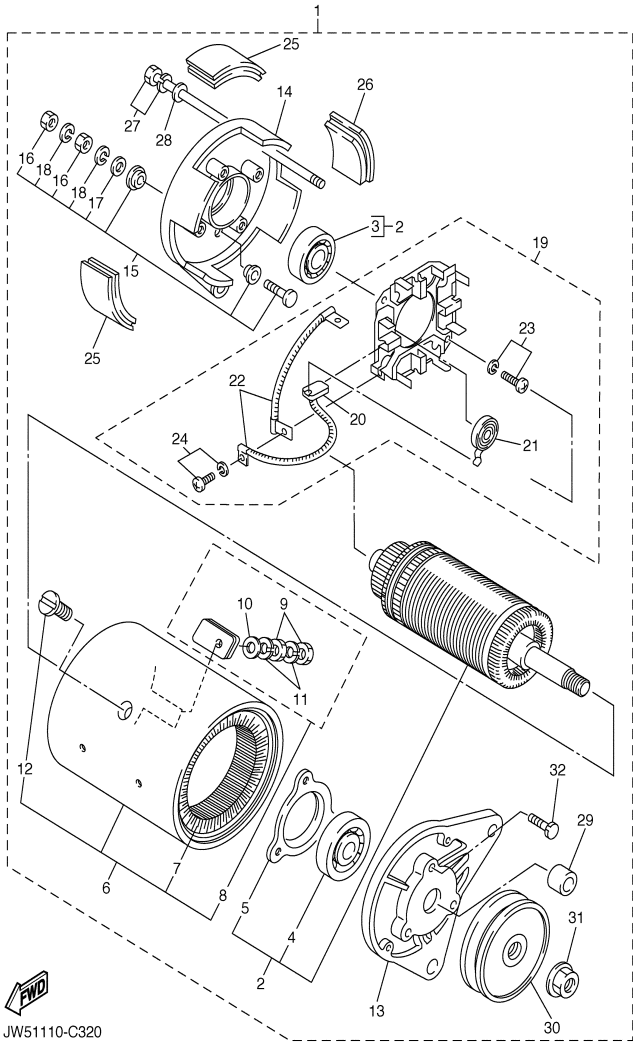
STARTING MOTOR

| Ref. No. | Part Number | Description | Qty | Remarks |
|----------|------------------|---------------------------------|-----|---------|
| 1 | JN6-H1100-03-00 | STARTER GENERATOR ASSY | 1 | |
| 2 | JN3-H1150-00-00 | .. ARMATURE ASSY | 1 | |
| 3 | J10-H1157-10-00 | .. BEARING 1 (6202 SD) | 1 | |
| 4 | J10-H1158-10-00 | .. BEARING 2 (6203 SD) | 1 | |
| 5 | J10-H1159-10-00 | .. HOLDER, BEARING | 1 | |
| 6 | JN6-H1110-10-00 | .. STATOR ASSY | 1 | |
| 7 | JN6-H1160-10-00 | .. FIELD COIL ASSY | 1 | |
| 8 | J10-81148-10-00 | .. SCREW SET 4 | 2 | |
| 9 | 9530N-06600-00 | .. NUT | 2 | |
| 10 | 9290N-06600-00 | .. WASHER | 1 | |
| 11 | 9290N-06100-00 | .. WASHER, SPRING | 2 | |
| 12 | J10-81146-10-00 | .. SCREW 2 | 4 | |
| 13 | JN6-H1165-00-00 | .. BRACKET, STARTER GENERATOR 1 | 1 | |
| 14 | J10-H1166-10-00 | .. BRACKET, STARTER GENERATOR 2 | 1 | |
| 15 | J10-H1147-10-00 | .. SCREW 3 | 2 | |
| 16 | 9530N-06600-00 | .. NUT | 2 | |
| 17 | 9290N-06600-00 | .. WASHER | 1 | |
| 18 | 9290N-06100-00 | .. WASHER, SPRING | 2 | |
| 19 | JN6-H1119-00-00 | .. BRUSH HOLDER ASSY | 1 | |
| 20 | JF2-H1111-00-00 | .. BRUSH | 4 | |
| 21 | JN6-H1113-00-00 | .. SPRING, BRUSH | 4 | |
| 22 | J10-H1115-10-00 | .. WIRE, LEAD | 2 | |
| 23 | 9850N-05016-00 | .. SCREW, PAN HEAD | 2 | |
| 24 | 9850N-04010-00 | .. SCREW, PAN HEAD | 4 | |
| 25 | J10-H1129-10-00 | .. COVER, BRUSH | 3 | |
| 26 | J10-H1139-10-00 | .. COVER, BRUSH 2 | 1 | |
| 27 | J10-81145-10-00 | .. SCREW 1 | 2 | |
| 28 | 9290N-06600-00 | .. WASHER | 2 | |
| 29 | JN3-H11661-00-00 | .. SPACER | 1 | |

CONTENTS

| | |
|------------------------|--------|
| ACCELERATOR | C1 |
| AIR SHROUD FAN | A8 |
| BODY | C11-12 |
| BODY 2 | D1 |
| BODY FITTING | D2 |
| BRAKE | B9-10 |
| BRAKE 2 | B11 |
| BRAKE 3 | B12 |
| BUMPER | C10 |
| CAMSHAFT VALVE | A7 |
| CARBURETOR | A10 |
| CARRIER | D3-4 |
| CRANKCASE | A12 |
| CRANKSHAFT PISTON | A6 |
| CYLINDER HEAD | A5 |
| ELECTRICAL 1 | D9 |
| ELECTRICAL 2 | D10-11 |
| ENGINE ASSEMBLY | A4 |
| ENGINE BRACKET | B1 |
| EXHAUST | A11 |
| FRAME | B3 |
| FRONT SUSPENSION WHEEL | B4-5 |
| FUEL TANK | B8 |
| GOVERNOR | C2 |
| HEADLIGHT | D8 |
| INTAKE | A9 |
| PRIMARY SHEAVE | C3 |
| REAR ARM SUSPENSION | B2 |
| REAR AXLE MOUNT WHEEL | C8 |
| SEAT | D5 |
| SECONDARY SHEAVE | C4 |
| SHIFTER CABLES | C9 |
| STARTING MOTOR | D6-7 |
| STEERING | B6-7 |
| TRANSMISSION 1 | C5-7 |

CONTINUED ON NEXT FRAME ►



STARTING MOTOR

| Ref. No. | Part Number | Description | Qty | Remarks |
|----------|-----------------|-------------------------|-----|---------|
| 30 | JN6-H1161-00-00 | . PULLEY | 1 | |
| 31 | 90179-16889-00 | . NUT | 1 | |
| 32 | 9850N-05018-00 | . SCREW, PAN HEAD | 3 | |

CONTENTS

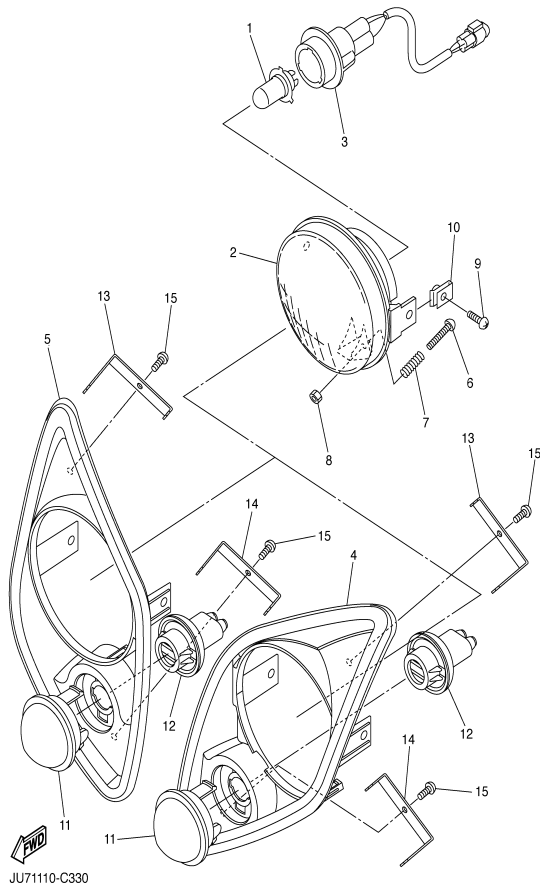
| | |
|------------------------|--------|
| ACCELERATOR | C1 |
| AIR SHROUD FAN | A8 |
| BODY | C11-12 |
| BODY 2 | D1 |
| BODY FITTING | D2 |
| BRAKE | B9-10 |
| BRAKE 2 | B11 |
| BRAKE 3 | B12 |
| BUMPER | C10 |
| CAMSHAFT VALVE | A7 |
| CARBURETOR | A10 |
| CARRIER | D3-4 |
| CRANKCASE | A12 |
| CRANKSHAFT PISTON | A6 |
| CYLINDER HEAD | A5 |
| ELECTRICAL 1 | D9 |
| ELECTRICAL 2 | D10-11 |
| ENGINE ASSEMBLY | A4 |
| ENGINE BRACKET | B1 |
| EXHAUST | A11 |
| FRAME | B3 |
| FRONT SUSPENSION WHEEL | B4-5 |
| FUEL TANK | B8 |
| GOVERNOR | C2 |
| HEADLIGHT | D8 |
| INTAKE | A9 |
| PRIMARY SHEAVE | C3 |
| REAR ARM SUSPENSION | B2 |
| REAR AXLE MOUNT WHEEL | C8 |
| SEAT | D5 |
| SECONDARY SHEAVE | C4 |
| SHIFTER CABLES | C9 |
| STARTING MOTOR | D6-7 |
| STEERING | B6-7 |
| TRANSMISSION 1 | C5-7 |

HEADLIGHT

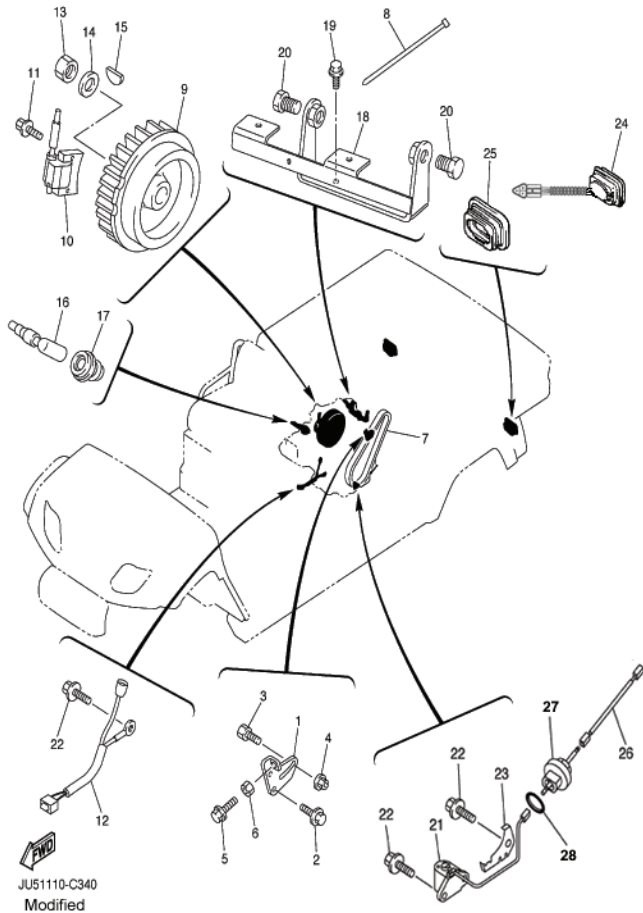
| Ref. No. | Part Number | Description | Qty | Remarks |
|----------|-----------------|------------------------------|-----|---------|
| 1 | 5FU-H4314-00-00 | BULB, HEADLIGHT (12V-30/30W) | 2 | |
| 2 | 5FU-H4320-00-00 | LENS ASSY | 2 | |
| 3 | 5FU-H4340-00-00 | SOCKET CORD ASSY 1 | 2 | |
| 4 | JU7-H411T-02-00 | HOLDER, 1 | 1 | LH |
| 5 | JU7-H411U-02-00 | HOLDER, 2 | 1 | RH |
| 6 | 98507-03540-00 | SCREW, PAN HEAD | 2 | |
| 7 | 2GU-84332-00-00 | SPRING, COMPRESSION | 2 | |
| 8 | 2GU-84334-00-00 | NUT, ADJUSTING | 2 | |
| 9 | 90150-05802-00 | SCREW, ROUND HEAD | 4 | |
| 10 | 90183-05008-00 | NUT, SPRING | 4 | |
| 11 | JU7-H5415-00-00 | MARK, SIGNAL LAMP | 2 | |
| 12 | JU7-H3547-00-00 | COVER, SOCKET | 2 | |
| 13 | JU7-H4118-01-00 | STAY, HEADLIGHT 1 | 2 | |
| 14 | JU7-H4119-01-00 | STAY, HEADLIGHT 2 | 2 | |
| 15 | 97707-40112-00 | SCREW, TAPPING | 4 | |

CONTENTS

| | |
|------------------------|--------|
| ACCELERATOR | C1 |
| AIR SHROUD FAN | A8 |
| BODY | C11-12 |
| BODY 2 | D1 |
| BODY FITTING | D2 |
| BRAKE | B9-10 |
| BRAKE 2 | B11 |
| BRAKE 3 | B12 |
| BUMPER | C10 |
| CAMSHAFT VALVE | A7 |
| CARBURETOR | A10 |
| CARRIER | D3-4 |
| CRANKCASE | A12 |
| CRANKSHAFT PISTON | A6 |
| CYLINDER HEAD | A5 |
| ELECTRICAL 1 | D9 |
| ELECTRICAL 2 | D10-11 |
| ENGINE ASSEMBLY | A4 |
| ENGINE BRACKET | B1 |
| EXHAUST | A11 |
| FRAME | B3 |
| FRONT SUSPENSION WHEEL | B4-5 |
| FUEL TANK | B8 |
| GOVERNOR | C2 |
| HEADLIGHT | D8 |
| INTAKE | A9 |
| PRIMARY SHEAVE | C3 |
| REAR ARM SUSPENSION | B2 |
| REAR AXLE MOUNT WHEEL | C8 |
| SEAT | D5 |
| SECONDARY SHEAVE | C4 |
| SHIFTER CABLES | C9 |
| STARTING MOTOR | D6-7 |
| STEERING | B6-7 |
| TRANSMISSION 1 | C5-7 |



D8

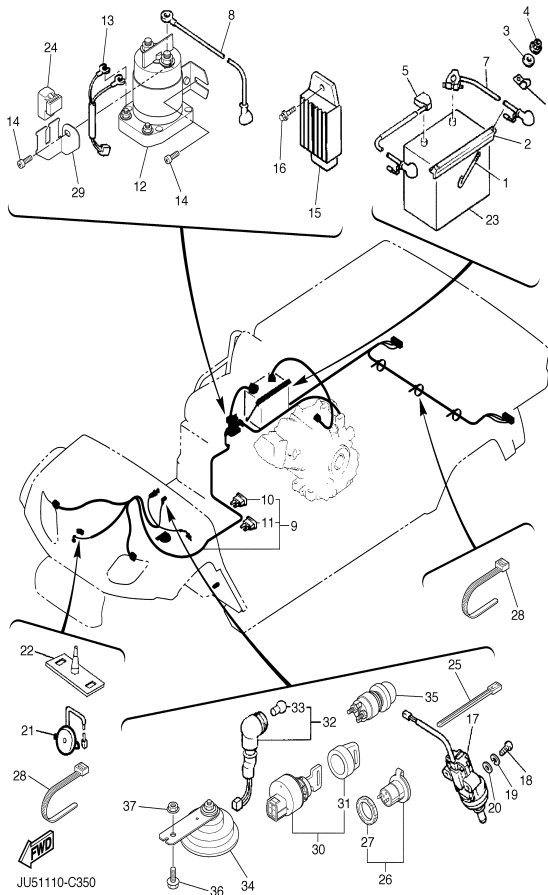


ELECTRICAL 1

| Ref. No. | Part Number | Description | Qty | Remarks |
|----------|-----------------|----------------------------|-----|---------|
| 1 | JN6-H1170-00-00 | TENSIONER ASSY | 1 | |
| 2 | 9582P-08020-00 | BOLT, FLANGE | 2 | |
| 3 | 90109-08875-00 | BOLT | 1 | |
| 4 | 95707-08500-00 | NUT, FLANGE | 1 | |
| 5 | 90101-06478-00 | BOLT | 1 | |
| 6 | 95307-06600-00 | NUT | 1 | |
| 7 | JN6-H1173-00-00 | BELT | 1 | |
| 8 | 90464-09823-00 | CLAMP | 1 | |
| 9 | JR7-85650-00-00 | ROTOR ASSY | 1 | |
| 10 | JN6-85640-01-00 | T.C.I. UNIT ASSY | 1 | |
| 11 | 95827-06025-00 | BOLT, FLANGE | 2 | |
| 12 | JN6-82318-00-00 | WIRE, SUB-LEAD | 1 | |
| 13 | 95307-18600-00 | NUT | 1 | |
| 14 | 90201-18620-00 | WASHER, PLATE | 1 | |
| 15 | 90280-04052-00 | KEY, WOODRUFF | 1 | |
| 16 | JN6-82370-00-00 | PLUG CAP ASSY | 1 | |
| 17 | JE8-82372-00-00 | SEAL, PLUG CAP | 1 | |
| 18 | JN6-H1171-00-00 | BRACKET, STARTER GENERATOR | 1 | |
| 19 | 9582P-08020-00 | BOLT, FLANGE | 2 | |
| 20 | 9581P-12025-00 | BOLT, FLANGE | 2 | |
| 21 | JT0-85720-00-00 | OIL LEVEL GAUGE ASSY | 1 | |
| 22 | 95827-06012-00 | BOLT, FLANGE | 4 | |
| 23 | JT0-85724-00-00 | CLAMP | 1 | |
| 24 | JU5-H4700-10-00 | TAILLIGHT ASSY | 2 | |
| 25 | JU5-H4718-00-00 | GROMMET | 2 | |
| 26 | JT0-8231Y-00-00 | WIRE, LEAD | 1 | |
| 27 | JT0-15362-00-00 | PLUG, OIL LEVEL | 1 | |
| 28 | 93210-15414-00 | O-RING | 1 | |

CONTENTS

| | |
|------------------------|--------|
| ACCELERATOR | C1 |
| AIR SHROUD FAN | A8 |
| BODY | C11-12 |
| BODY 2 | D1 |
| BODY FITTING | D2 |
| BRAKE | B9-10 |
| BRAKE 2 | B11 |
| BRAKE 3 | B12 |
| BUMPER | C10 |
| CAMSHAFT VALVE | A7 |
| CARBURETOR | A10 |
| CARRIER | D3-4 |
| CRANKCASE | A12 |
| CRANKSHAFT PISTON | A6 |
| CYLINDER HEAD | A5 |
| ELECTRICAL 1 | D9 |
| ELECTRICAL 2 | D10-11 |
| ENGINE ASSEMBLY | A4 |
| ENGINE BRACKET | B1 |
| EXHAUST | A11 |
| FRAME | B3 |
| FRONT SUSPENSION WHEEL | B4-5 |
| FUEL TANK | B8 |
| GOVERNOR | C2 |
| HEADLIGHT | D8 |
| INTAKE | A9 |
| PRIMARY SHEAVE | C3 |
| REAR ARM SUSPENSION | B2 |
| REAR AXLE MOUNT WHEEL | C8 |
| SEAT | D5 |
| SECONDARY SHEAVE | C4 |
| SHIFTER CABLES | C9 |
| STARTING MOTOR | D6-7 |
| STEERING | B6-7 |
| TRANSMISSION 1 | C5-7 |



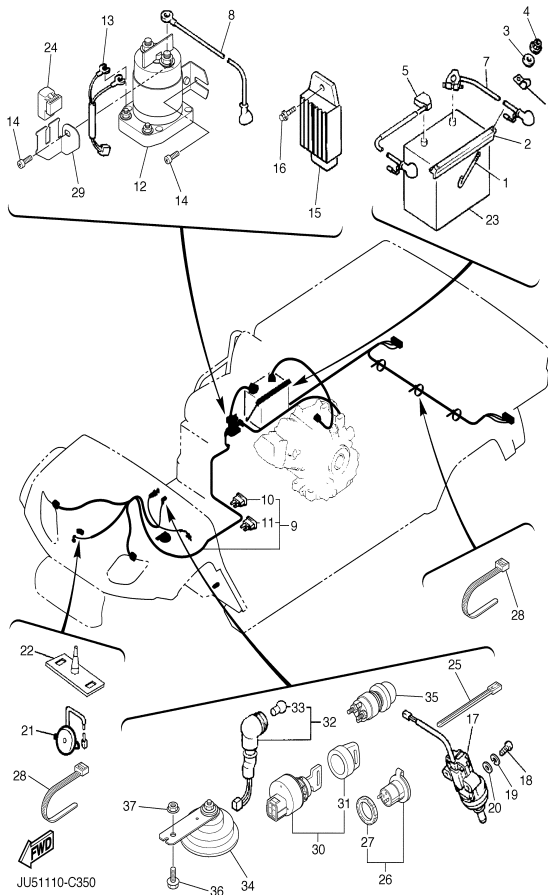
ELECTRICAL 2

| Ref. No. | Part Number | Description | Qty | Remarks |
|----------|-----------------|--------------------------|-----|---|
| 1 | JN3-H2133-00-00 | SCREW, FITTING | 2 | |
| 2 | J55-H2136-00-00 | PLATE, BATTERY FITTING | 1 | |
| 3 | 9290P-06200-00 | WASHER | 2 | |
| 4 | 95707-06500-00 | NUT, FLANGE | 2 | |
| 5 | JU9-H2115-00-00 | WIRE, PLUS LEAD | 1 | |
| 6 | 90461-08031-00 | CLAMP | 2 | |
| 7 | JR3-H2116-00-00 | WIRE, MINUS LEAD | 1 | |
| 8 | JR3-H2117-00-00 | WIRE, LEAD | 1 | |
| 9 | JU9-H2590-01-00 | WIRE HARNESS ASSY | 1 | |
| 10 | JN6-H2151-00-00 | . FUSE (10 A) | 2 | |
| 11 | JU7-H2151-00-00 | . FUSE (20 A) | 1 | |
| 12 | JR3-H1950-00-00 | RELAY ASSY | 1 | |
| 13 | JN6-H2105-00-00 | WIRE HARNESS | 1 | |
| 14 | 90163-06005-00 | SCREW, TAPPING | 2 | |
| 15 | JF2-81910-01-00 | VOLTAGE REGULATOR ASSY | 1 | |
| 16 | 90105-06876-00 | BOLT, FLANGE | 1 | |
| 17 | JF7-82817-20-00 | SWITCH | 1 | |
| 18 | 98507-05025-00 | SCREW, PAN HEAD | 2 | |
| 19 | 92907-05100-00 | WASHER, SPRING | 2 | |
| 20 | 92907-05600-00 | WASHER, PLATE | 2 | |
| 21 | JR1-H3383-01-00 | BUZZER | 1 | |
| 22 | JN6-H3386-01-00 | STAY, BUZZER | 1 | |
| 23 | JG5-H2110-01-00 | BATTERY - OBTAIN LOCALLY | 1 | LM (12 V, BCI GROUP 24, CCA: MIN 400A) |
| 24 | 4U8-81950-02-00 | RELAY ASSY | 1 | |
| 25 | 90464-40825-00 | CLAMP | 5 | |
| 26 | 5FU-H1920-10-00 | TERMINAL ASSY | 1 | |
| 27 | 5FU-H191B-10-00 | . NUT | 1 | |
| 28 | 90464-14806-00 | CLAMP | 5 | |
| 29 | JU7-F253B-00-00 | STAY, RELAY | 1 | |

CONTINUED ON NEXT FRAME ➤

CONTENTS

| | |
|------------------------|--------|
| ACCELERATOR | C1 |
| AIR SHROUD FAN | A8 |
| BODY | C11-12 |
| BODY 2 | D1 |
| BODY FITTING | D2 |
| BRAKE | B9-10 |
| BRAKE 2 | B11 |
| BRAKE 3 | B12 |
| BUMPER | C10 |
| CAMSHAFT VALVE | A7 |
| CARBURETOR | A10 |
| CARRIER | D3-4 |
| CRANKCASE | A12 |
| CRANKSHAFT PISTON | A6 |
| CYLINDER HEAD | A5 |
| ELECTRICAL 1 | D9 |
| ELECTRICAL 2 | D10-11 |
| ENGINE ASSEMBLY | A4 |
| ENGINE BRACKET | B1 |
| EXHAUST | A11 |
| FRAME | B3 |
| FRONT SUSPENSION WHEEL | B4-5 |
| FUEL TANK | B8 |
| GOVERNOR | C2 |
| HEADLIGHT | D8 |
| INTAKE | A9 |
| PRIMARY SHEAVE | C3 |
| REAR ARM SUSPENSION | B2 |
| REAR AXLE MOUNT WHEEL | C8 |
| SEAT | D5 |
| SECONDARY SHEAVE | C4 |
| SHIFTER CABLES | C9 |
| STARTING MOTOR | D6-7 |
| STEERING | B6-7 |
| TRANSMISSION 1 | C5-7 |



ELECTRICAL 2

| Ref. No. | Part Number | Description | Qty | Remarks |
|----------|-----------------|-------------------|-----|---------------------|
| 30 | JU6-H2510-10-00 | MAIN SWITCH ASSY | 1 | COMMON KEY SWITCH |
| 31 | 5UG-H2579-00-00 | . CAP, KEY | 1 | SEE NOTE A & NOTE B |
| 32 | JN6-83530-00-00 | PILOT LIGHT ASSY | 1 | |
| 33 | 123-83516-21-00 | . BULB (12V-3.4W) | 1 | US MARKET ONLY |
| 34 | 4LR-83371-10-00 | HORN | 1 | |
| 35 | JR6-H270X-00-00 | SWITCH | 1 | |
| 36 | 9582P-06016-00 | BOLT, FLANGE | 1 | |
| 37 | 95707-06500-00 | NUT, FLANGE | 1 | |

NOTE A: COMMON KEY PN JU6-H2511-10-00 (KEY CODE #8002)

NOTE B: OPTIONAL RANDOM KEY MAIN SW PN JU6-H2510-00-00

CONTENTS

| | |
|------------------------|--------|
| ACCELERATOR | C1 |
| AIR SHROUD FAN | A8 |
| BODY | C11-12 |
| BODY 2 | D1 |
| BODY FITTING | D2 |
| BRAKE | B9-10 |
| BRAKE 2 | B11 |
| BRAKE 3 | B12 |
| BUMPER | C10 |
| CAMSHAFT VALVE | A7 |
| CARBURETOR | A10 |
| CARRIER | D3-4 |
| CRANKCASE | A12 |
| CRANKSHAFT PISTON | A6 |
| CYLINDER HEAD | A5 |
| ELECTRICAL 1 | D9 |
| ELECTRICAL 2 | D10-11 |
| ENGINE ASSEMBLY | A4 |
| ENGINE BRACKET | B1 |
| EXHAUST | A11 |
| FRAME | B3 |
| FRONT SUSPENSION WHEEL | B4-5 |
| FUEL TANK | B8 |
| GOVERNOR | C2 |
| HEADLIGHT | D8 |
| INTAKE | A9 |
| PRIMARY SHEAVE | C3 |
| REAR ARM SUSPENSION | B2 |
| REAR AXLE MOUNT WHEEL | C8 |
| SEAT | D5 |
| SECONDARY SHEAVE | C4 |
| SHIFTER CABLES | C9 |
| STARTING MOTOR | D6-7 |
| STEERING | B6-7 |
| TRANSMISSION 1 | C5-7 |