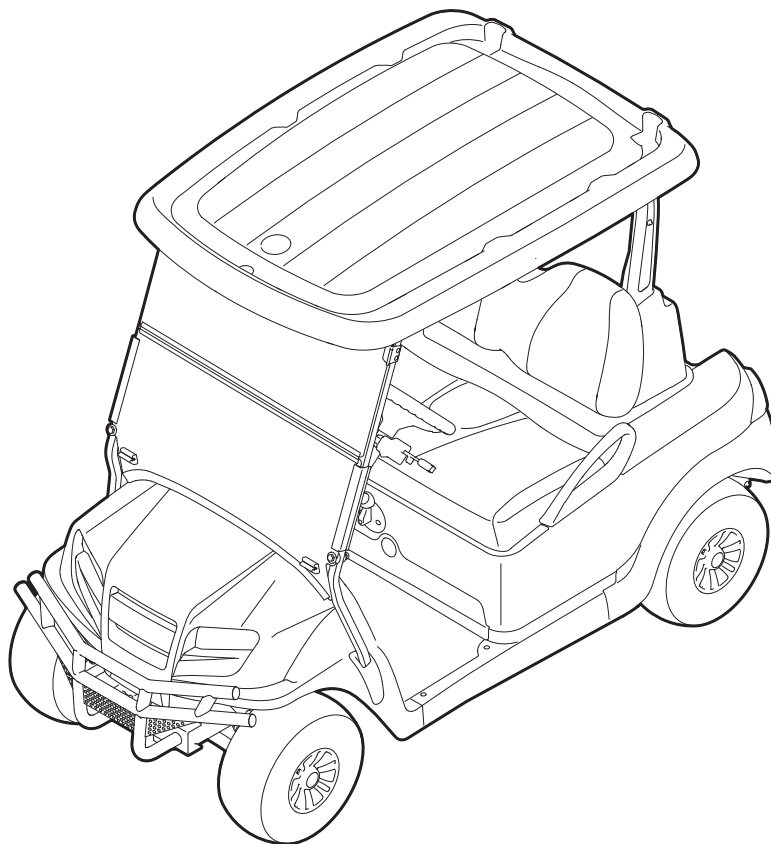




2019 Onward Illustrated Parts List



**Gasoline Vehicle with Subaru EX40 Engine
Electric Vehicle with ERIC Charging System**

Manual Number 105355018
Edition Code A



MASTERS

GOLF & UTILITY VEHICLES

www.mastersgolfcarts.com - 905-436-0606 - 1-855-226-0606

USING THE ILLUSTRATED PARTS LIST

⚠ WARNING

- **This manual is to be used only for identification and ordering of service parts. Be sure to read and use the maintenance and service manual before attempting any vehicle repairs.**

The manual is divided into sections. Note that there are two or three flags on the outside edge of each page. The first flag contains the section number of which that page is a part. The other flag (or flags) contains the letter E or G, signifying that the page pertains to electric or gasoline vehicles.

Use the Table of Contents to find the sections and pages that contain the parts and assemblies you seek. The Table of Contents lists section numbers, and under them, the individual page titles and numbers to be found in that section. The index can be used to find specific parts and assemblies. The index is divided into numerical and alphabetical listings with the page numbers in italic text.

There is a two-page spread for each individual page title in the Table of Contents. On the left-hand page is an illustration showing the parts in their relative positions; the parts are each tagged with an item number in a balloon. The right-hand page is the parts list page, and gives the page title at the top, then the item numbers (corresponding to the numbers on the illustration), part descriptions, and quantity of parts used. Some item numbers have more than one part number because several configurations of a component are represented together on one spread.

Note that a part description may be indented. This indentation corresponds to a parts assembly level indicated by the numbers 1, 2, 3, and 4 at the top left corner of the parts description area of the parts list page. A part that is indented to *level 2* is a component of the *level 1* part (assembly) that it is listed under. A *level 3* part is a component of the *level 2* part that it is listed under, and a *level 4* part is a component of the *level 3* part preceding it. In each case, the part quantity given for a level 2, 3, or 4 part is *the quantity used per next higher level assembly of which it is a component*. A part that is not indented is a *level 1* part. This means that the quantity given is the quantity used per the portion of the vehicle illustrated on that particular spread.



**P. O. Box 204658
Augusta, Georgia 30917-4658 USA
Telephone 706-863-3000
Service Parts Fax 706-855-7413
www.clubcar.com**

HOW TO ORDER PARTS

Replacement parts and accessories can be obtained from our network of authorized dealers and distributors. You can obtain the name and phone number of your closest authorized Club Car dealer or distributor by visiting our web site at www.clubcardealer.com, by calling our toll-free Service Parts and Technical Assistance hotline at (800) 872-2246 or (706) 863-3000, extension 3887, or by scanning this Quick Response (QR) code to be taken to the Club Car dealer locator. **Refer to Figure 1.** Download a QR code reader such as RedLaser or Barcode Scanner to your cell phone or tablet.



Figure 1 Dealer Locator QR Code

CUSTOMER SATISFACTION SURVEY

Let your voice be heard!

Please take time to participate in the Technical Publications satisfaction survey. Obtaining feedback from our customers is important to the department's continuous improvement process. The online survey takes less than five minutes and responses will help the department to examine current performance as well as identify areas for future improvement.

Our top priority is to provide timely, accurate, and user friendly manuals.

The online satisfaction survey can be found at: <http://bit.ly/1w9uFMh>



Figure 2 Survey QR Code

NOTE: *This illustrated parts list represents the most current information at the time of publication. Club Car, LLC is continually working to further improve its vehicles and other products. These improvements may affect the parts used to service the vehicle. Any modification and/or significant change in specifications will be forwarded to all Club Car and Carryall distributors/dealers and will, when applicable, appear in future editions of this illustrated parts list.*

Club Car, LLC reserves the right to change specifications and designs at any time without notice and without the obligation of making changes to units previously sold.

Copyright © 2018 Club Car, LLC
Club Car, Precedent, and Surlyn
are registered trademarks of Club Car, LLC
This manual effective July 1, 2018.

2019 Onward Illustrated Parts List

CONTENTS

SECTION 1 – BODY AND TRIM

Frame	1-3
Brush Guard	1-5
Grille Insert	1-7
Front Bumper	1-9
Front Fenders	1-11
Front Body	1-13
Dash	1-15
Floor Mat, Retainers, and Front Underbody	1-17
Kick Plate – Subaru EX40 Gas Vehicle	1-19
Kick Plate – Electric Vehicle	1-21
Seat Bottom with Hip Restraints	1-23
Seat Back, Backrest, and Structural Accessory Module (SAM)	1-25
Rear Body	1-27
Rear Fenders	1-29
Rear Valance	1-31
Receiver Hitch	1-33
Canopy – White	1-35
Canopy – Beige	1-37
Canopy – Black	1-39
Canopy Struts	1-41
Visage Canopy Struts and Console	1-43
Four-Passenger Canopy with Rear Struts – Black	1-45
Four-Passenger Canopy with Rear Struts – White	1-47
Four-Passenger Canopy with Rear Struts – Beige	1-49
Front Strut Kit, Four-Passenger Canopy	1-51
Rear-Facing Seat Frame and Foot Deck – Consumer Car	1-53
Rear-Facing Seat	1-55
Hinged Windshield, Clear	1-57
Hinged Windshield, Tinted	1-59
Beverage Holder	1-61
Bucket Storage	1-63
Chair Holder	1-65
Mirrors, Side	1-67
Golf Bag Holder	1-69
Overhead Storage	1-71
Mirror, 5-Panel	1-73

CONTENTS

SECTION 2 – WHEELS AND TIRES

Tires – Onward	2-3
Wheels – Onward	2-5
Wheel and Tire Assemblies – Onward, Standard Height	2-7
Wheel and Tire Assemblies – Onward, Lifted	2-9

SECTION 3 – DECALS

Decals – Electric and Gasoline Vehicles	3-3
Decals – Electric Vehicle Only	3-5
Decals – Gasoline Vehicle Only	3-7
Decals – 4-Passenger Vehicle Only	3-9
Decals – Badging	3-11

SECTION 4 – LIGHTS, CONTROLS AND INDICATORS

Headlights – Onward	4-3
Lighting System Components	4-5
Horn	4-7
Instrument Panel – Electric Vehicle with ERIC Charger	4-9
Battery Charge Indicator	4-11
Instrument Panel – Subaru EX40 Gas Vehicle	4-13
Bluetooth Sound System	4-15
DC Converter – Electric Vehicle	4-17
Voltage Limiter – Gasoline Vehicle	4-19
Taillights – Precedent and Consumer Car	4-21

SECTION 5 – BRAKES AND PEDAL GROUP ASSEMBLIES

Rear Brakes, Self-Adjusting – Electric Vehicles	5-3
Rear Brakes, Self-Adjusting – Gasoline Vehicles	5-5
Brake Cables and Equalizer Bracket	5-7
Brake Cables and Equalizer Bracket – Lifted Vehicle	5-9
Pedal Group with Sensor – Gasoline Vehicle	5-11
Pedal Group w/o Sensor, Gasoline Vehicle	5-13
Pedal Group w/o MCOR – Electric Vehicle	5-15
Pedal Group with MCOR – Electric Vehicle	5-17

SECTION 6 – STEERING, FRONT AND REAR SUSPENSION – STANDARD HEIGHT

Steering Wheel, Comfort Grip with Clip	6-3
Steering Wheel, Comfort Grip with Logo	6-5

CONTENTS

Steering Column	6-7
Steering Gear Assembly	6-9
Front Suspension, Upper	6-11
Front Suspension, Lower	6-13
Rear Suspension, Gasoline Vehicle	6-15
Rear Suspension, Electric Vehicle	6-17
Rear Suspension, Gasoline 4-Passenger – Consumer	6-19
Panhard Rod	6-21

SECTION 7 – STEERING, FRONT AND REAR SUSPENSION – LIFTED

Steering Wheel, Comfort Grip with Clip	7-3
Steering Wheel, Comfort Grip with Logo	7-5
Steering Column	7-7
Steering Gear Assembly	7-9
Front Suspension, Lifted	7-11
Rear Suspension, Lifted	7-13
Panhard Rod	7-15

SECTION 8 – ELECTRICAL SYSTEM – SUBARU EX40

Accelerator Pedal Assembly w/Sensor – EFI	8-3
Wiring, Fuses and ECU – Consumer Car	8-5
Starter/Generator (Model 114-05-4001), Pedal-Start – EFI	8-7
Starter/Generator Mounting, EX40	8-9
Top-Post Battery, Solenoid, Voltage Regulator – EFI	8-11
Operation and Maintenance Switch	8-13
USB Port Adapter – Early Version	8-15
USB Port Kit for Gas Vehicles	8-17
Forward/Reverse Shifter Switches – EFI	8-19

SECTION 9 – ENGINE – SUBARU EX40

Tune-Up Parts – Subaru EX40	9-3
Engine and Engine Mounting, Consumer Car	9-5
Snubber and Bracket – Consumer Car, Standard Height	9-7
Snubber and Bracket – Consumer Car, Lifted	9-9
Fan and Shroud – EX40	9-11
Air Deflector – EX40	9-13
Ignition Components and Flywheel – EX40	9-15
Sensors – EX40	9-17
Cylinder Head – EX40	9-19

CONTENTS

Valvetrain and Timing Chain – EX40	9-21
Crankcase – EX40	9-23
Crankshaft and Piston – EX40	9-25

SECTION 10 – FUEL SYSTEM, EFI – SUBARU EX40

Fuel System w/o Sending Unit – EFI	10-3
Fuel System with Sending Unit – EFI	10-5
Fuel Tank Kits – EFI	10-7
Carbon Canister – EFI	10-9
Throttle Body and ECU – EFI	10-11
Throttle Body Mounting – EFI	10-13
Governor and Accelerator Cables – EFI	10-15
Air Filter System and Intake Hose – EFI	10-17

SECTION 11 – EXHAUST SYSTEM, GOLF – SUBARU EX40

Exhaust System, Golf – Subaru EX40	11-3
--	------

SECTION 12 – DRIVE BELT AND CLUTCHES – SUBARU EX40

Drive Belt – Pedal-Start Vehicles with EFI	12-3
Drive Clutch – Pedal-Start Vehicles with EFI	12-5
Driven Clutch – All Gasoline Vehicles with EFI	12-7

SECTION 13 – TRANSAXLE, FUJI ED65 (FOR SUBARU EX40)

Forward/Reverse Shifter Assembly – EFI	13-3
Shifter Cable	13-5
Shift Lever and Bracket – Pedal-Start Engines	13-7
Governor Arm and Brackets	13-9
Transaxle (ED65), Open – Page 1 of 3	13-11
Transaxle (ED65), Limited Slip and Open – Page 2 of 3	13-13
Transaxle (ED65), Open – Page 3 of 3	13-15
Hub, Rear	13-17

SECTION 14 – ELECTRICAL SYSTEM – EXCEL WITH HIGH FREQUENCY CHARGERS

Motor Controller Output Regulator (MCOR)	14-3
Wiring and Fuses	14-5
Forward/Reverse Switch and Tow/Run Switch	14-7
Batteries and Battery Bucket, PD+ 8-Volt	14-9
Batteries and Battery Bucket, PD+ 8-Volt, CE	14-11

CONTENTS

Single Point Watering System, 8V	14-13
Hand Pump and Deionizer (Battery-Powered Quality Light)	14-15
Controller and Solenoid	14-17
USB Port Kit for Electric Vehicles	14-19
Ferrite Beads, CE	14-21

SECTION 15 – ELECTRIC MOTOR

Motor (Model EJ8-4001A) – Electric Vehicle	15-3
--	------

SECTION 16 – TRANSAXLE – ELECTRIC VEHICLES

Transaxle – Electric Vehicles	16-3
Differential Guard – Electric Vehicles	16-5

SECTION 17 – BATTERY CHARGERS – HIGH-FREQUENCY

Battery Charger, High-Frequency – U.S./Canada	17-3
Battery Charger, High-Freq., 2.74 m DC Cord – Global	17-5
Battery Charger, High-Freq., 3.66 m DC Cord – Global	17-7
Battery Charger, High-Freq., 6.1 m DC Cord – Global	17-9
Cords – Battery Charger, High-Frequency	17-11
Battery Charger, High-Frequency – Onboard	17-13
Battery Charger, High-Frequency – Onboard (for Rear-Facing-Seat)	17-15

SECTION 18 – MAINTENANCE AND SERVICE TOOLS

Maintenance and Service Tools	18-3
Maintenance and Service Tools, Continued	18-5
Maintenance and Service Tools, Continued	18-7

SECTION i – INDEX

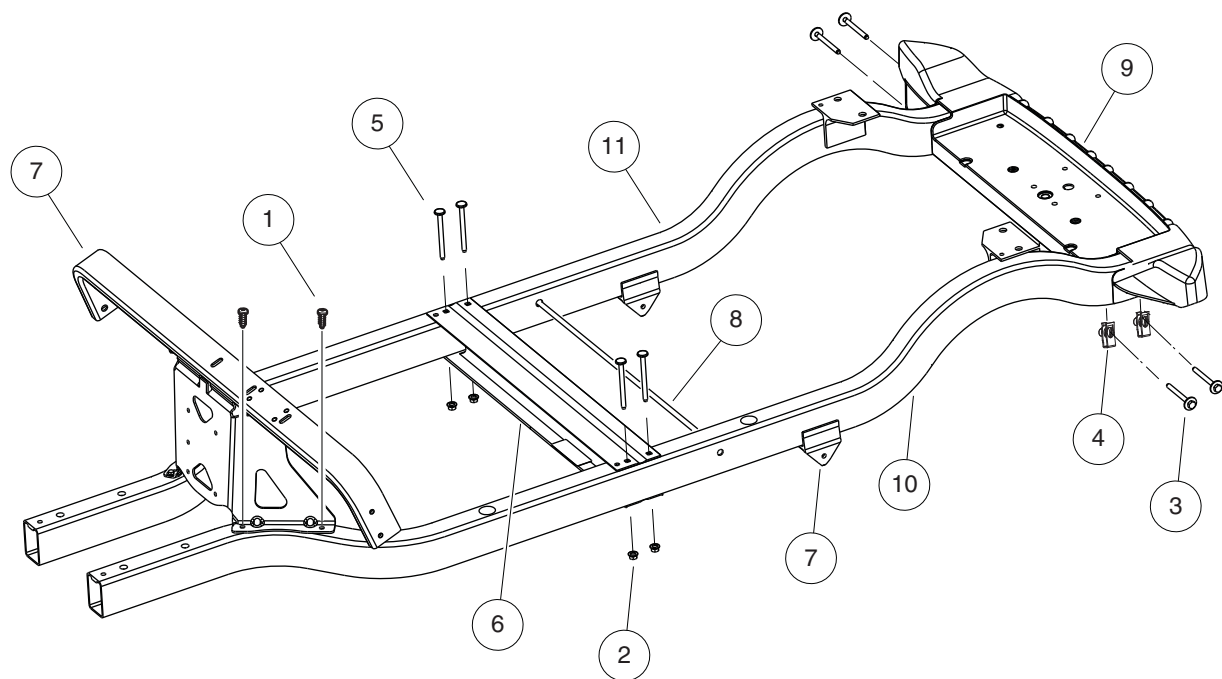
BODY AND TRIM

1

G

E

1
G
E



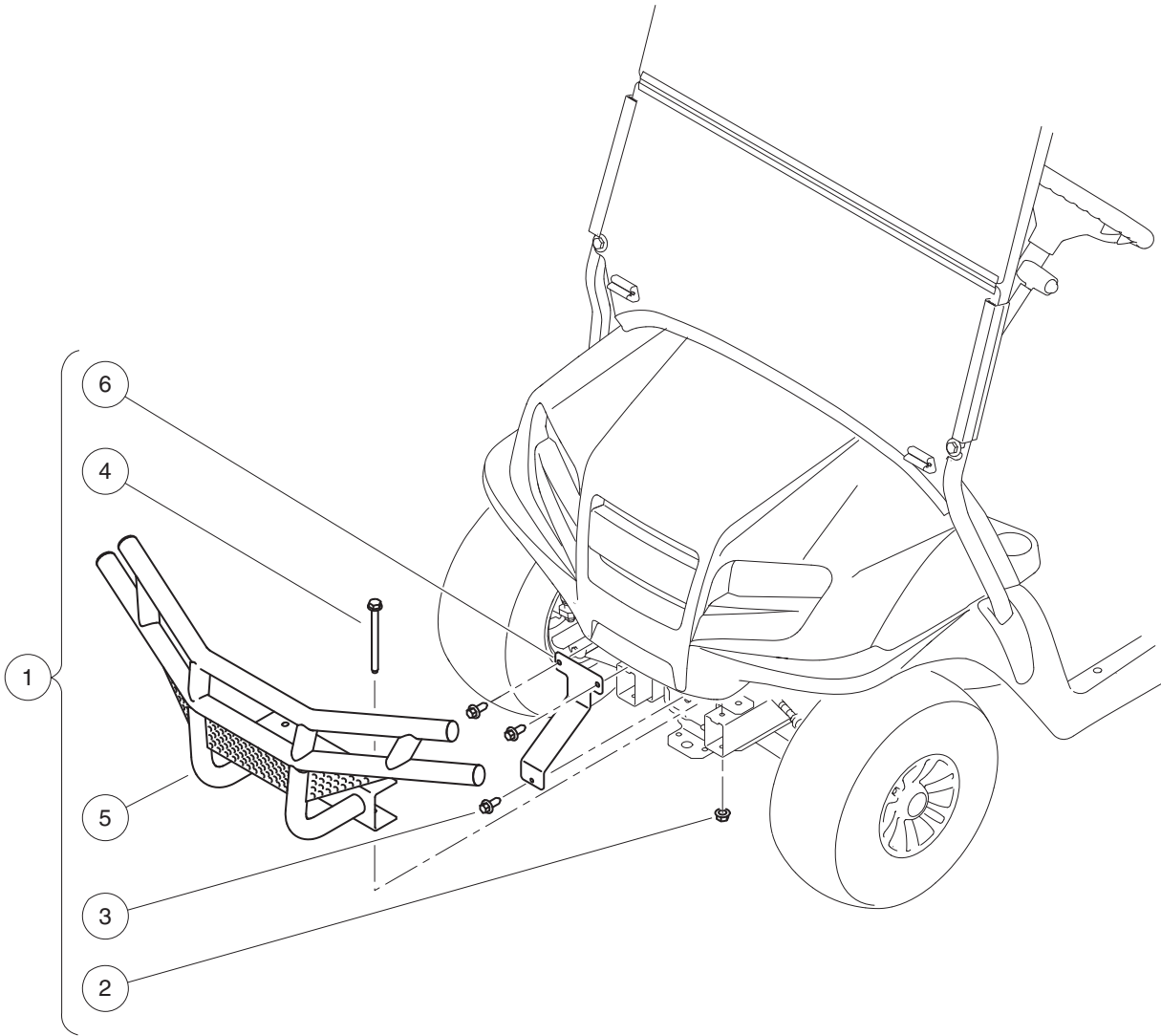
001296-001

FRAME

ITEM	PART NO.	DESCRIPTION	QTY
		1 2 3 4	
1	102292101	Screw-5/16 X 1.5 Tek	4
2	102298401	Nut,m8,all Metal Lock	4
3	102298580	M8-1.25 X 80 Sems	4
4	102298601	J-clip - M8 X 1.25	4
5	102298995	Bolt, Wafer Head, M8-1.25x95	4
6	102505401	Xmbr-middle	1
7	102505701	Assembly, Dash Support	1
8	103638901	Rod, .5 Od X 26.26	1
9	103926602	Rear Cross Member, Csmr	1
10	103990503	Weldment, Frame, Csmr, Driver-side	1
11	103990601	Weldment, Frame, Passenger-side	1

1
G
E

1
G
E



001297-001

BRUSH GUARD

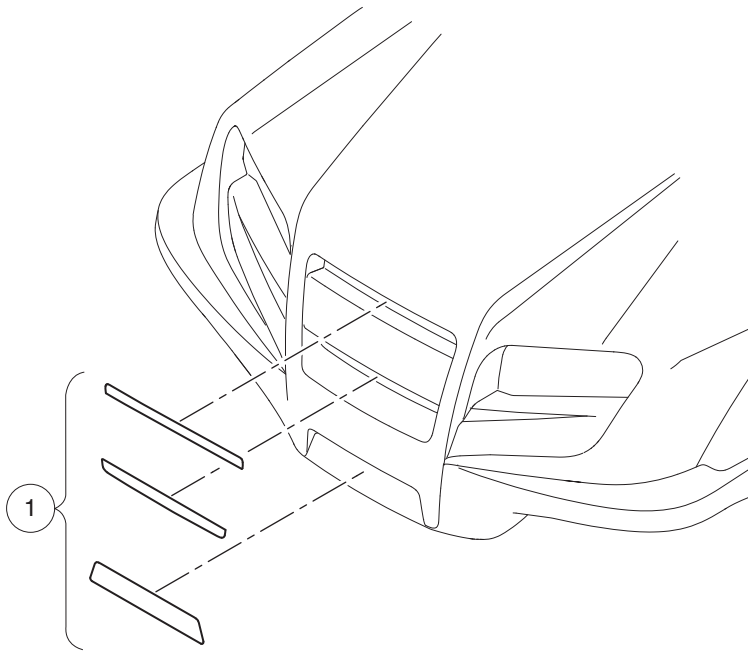
ITEM	PART NO.	DESCRIPTION	QTY
		1 2 3 4	
1	47577561001	Kit, Brush Guard, Csmr (includes items 2 through 6)	1
2	102298401	Nut, M8, All Metal Lock	2
3	102298720	Screw, M8-1.25x20, Taptite	3
4	102534201	Bolt - Fl Hd, M8 X 95	2
5	47578016001	Asm, Brush Guard Res	1
6	47578438001	Bracket, Cowl/bumper, Brushgrd	1

1
G
E

1

G

E



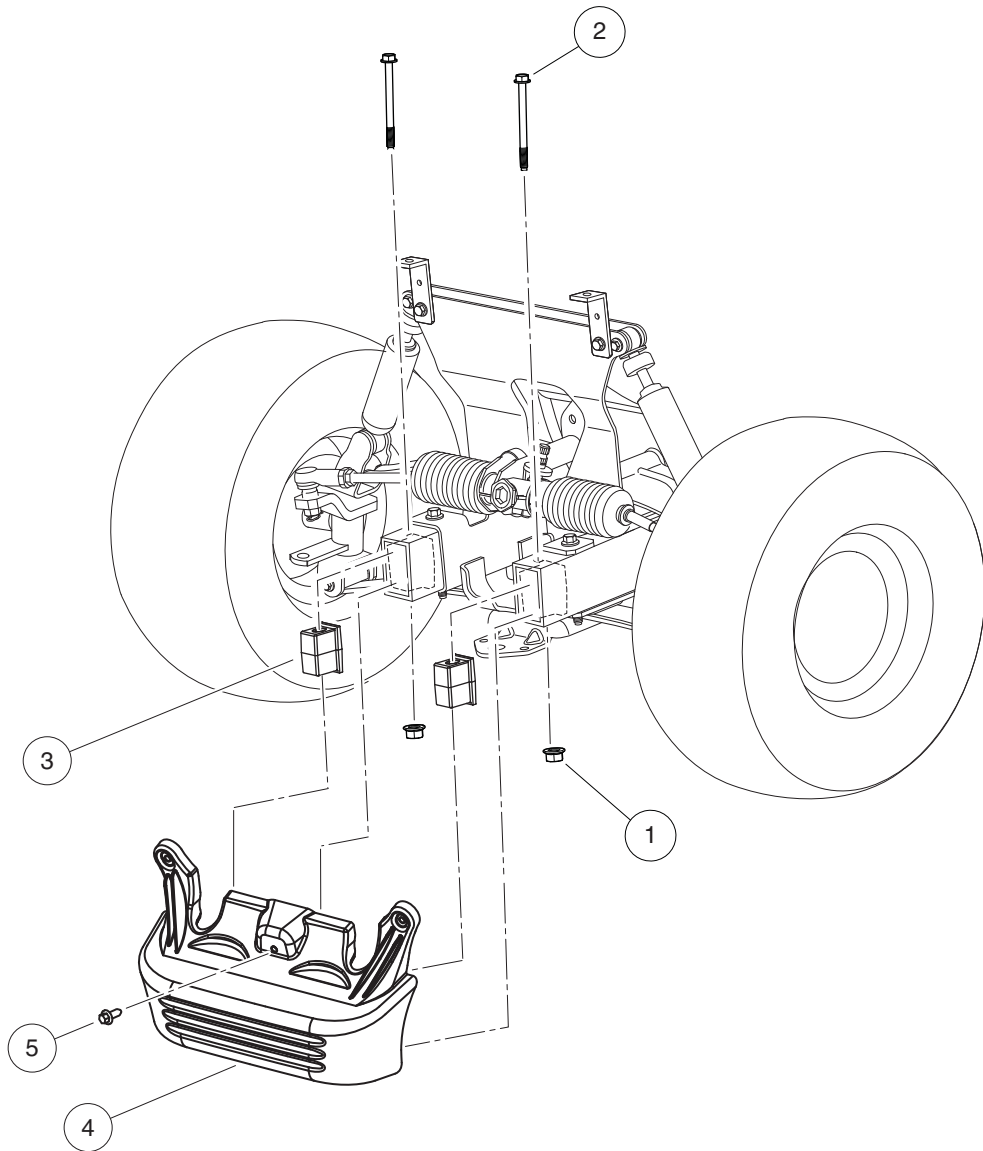
001298-002

GRILLE INSERT

ITEM	PART NO.	DESCRIPTION	QTY
1	47579107001	1 2 3 4 Kit, Insrt, Cowl Grill, Csmr	1

1
G
E

1
G
E



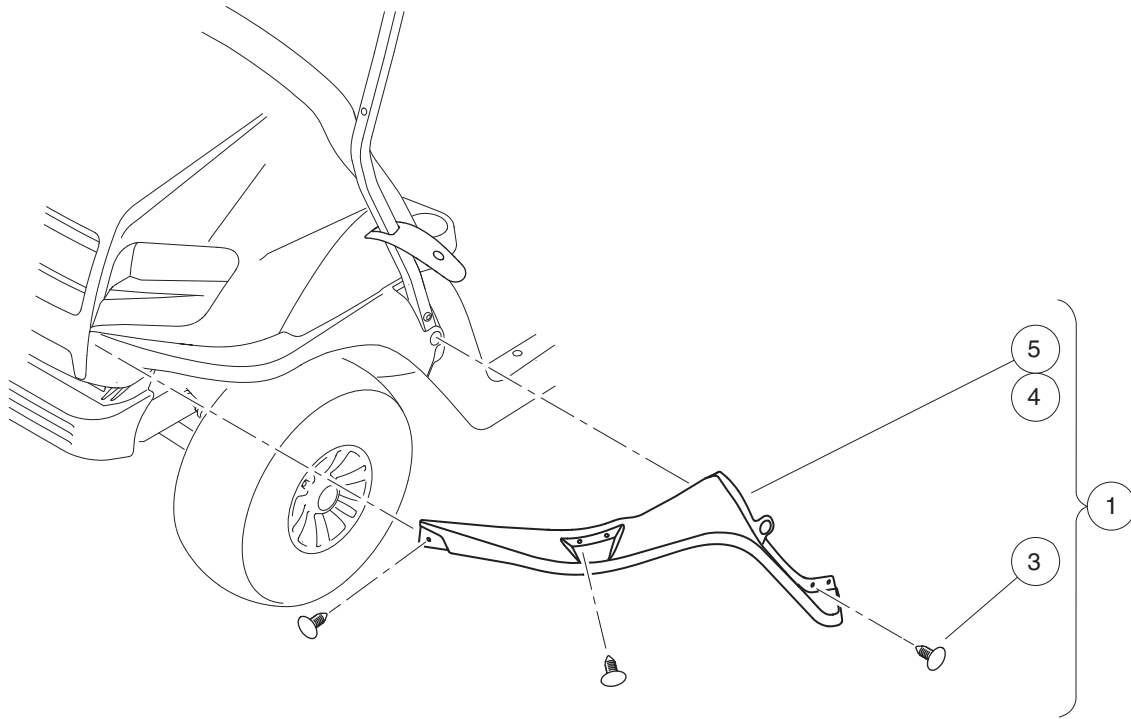
001299-001

FRONT BUMPER

ITEM	PART NO.	DESCRIPTION	QTY
		1 2 3 4	
1	102298401	Nut,m8,all Metal Lock	2
2	102534201	Bolt - Fl Hd, M8 X 95	2
3	103325001	Plug, Shock, Bumper	2
4	103923601	Bumper, Prec Fleet, W/light	1
5	47579669001	Screw, 3/8 Hex & Hex Washer Hd	1

1
G
E

1
G
E



001324-001

FRONT FENDERS

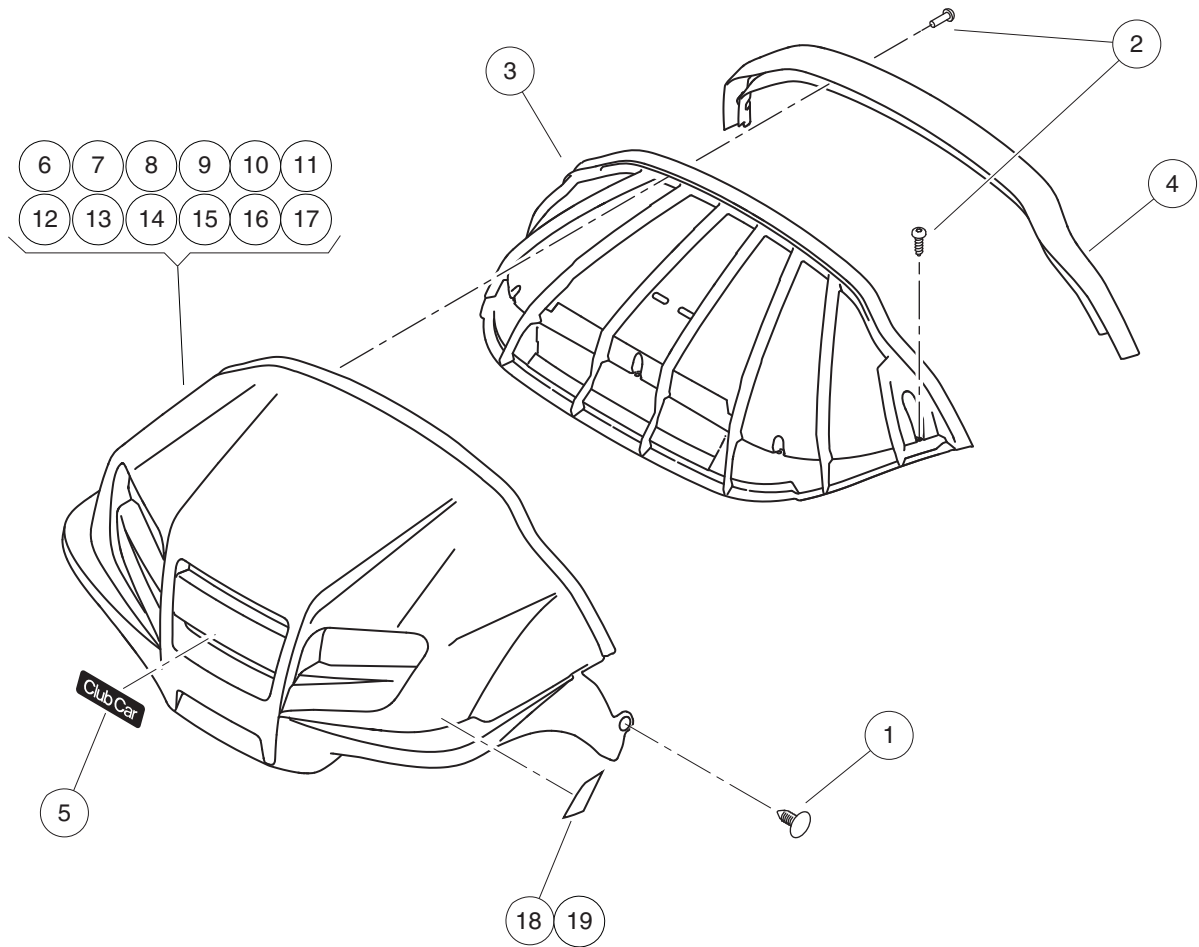
ITEM	PART NO.	DESCRIPTION	QTY
		1 2 3 4	
1	AM15026001	Kit, Fenders, Front, Csmr Pack (includes item 2)	1
2	N/A	Kit, Fenders, Front, CSMR (includes items 3 through 5)	1
3	1010434	Barrel - Plastic	14
4	N/A	Fender, Front, Csmr, Driver-side	1
5	N/A	Fender, Front, Csmr, Passenger-side	1

1

G

E

1
G
E

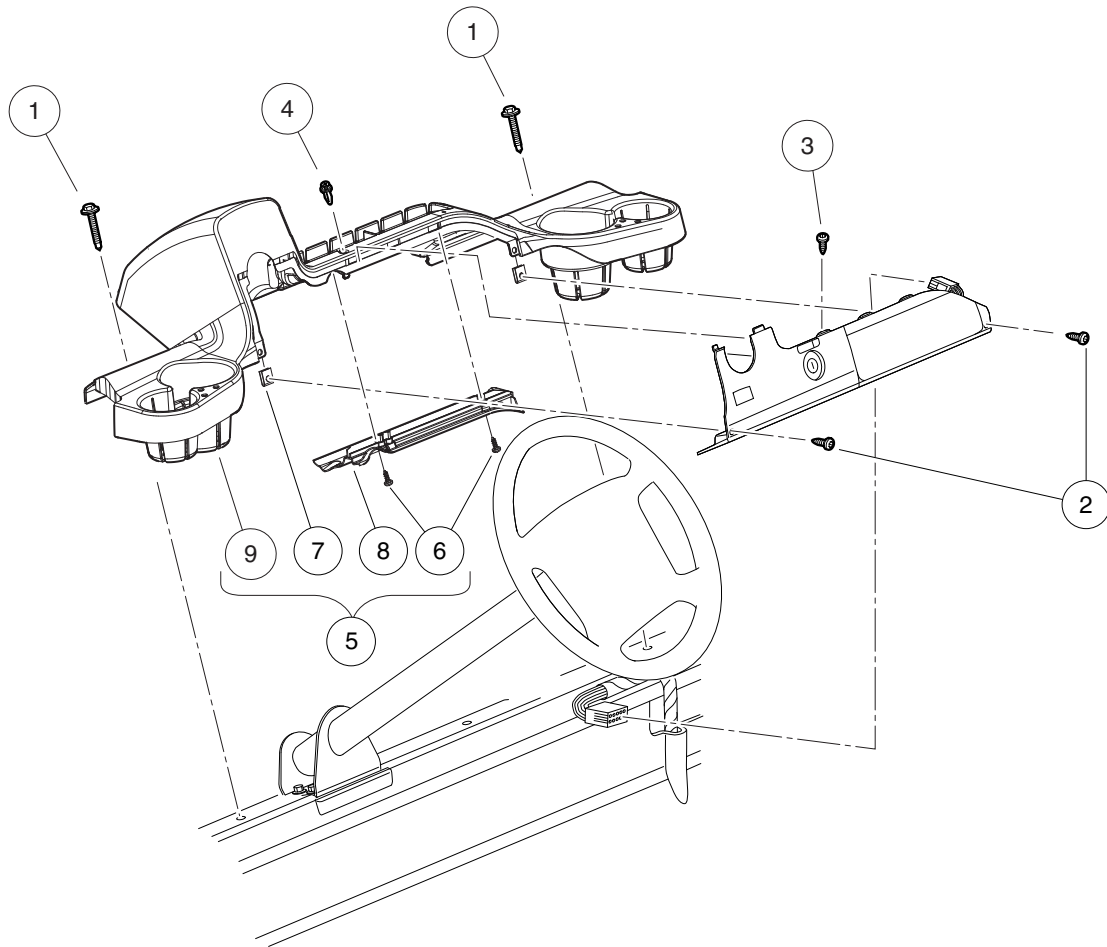


001325-001

FRONT BODY

ITEM	PART NO.	DESCRIPTION	QTY
		1 2 3 4	
1	1010434	Barrel - Plastic	4
2	102296020	Screw, Torx Pan Hd Pt, M6 X 20	9
3	102501501	Brow	1
4	102502501	Brow Cap	1
5	102883602	Decal, Nameplate, Csmr	1
6	47565226001	Panel Frt, Csmr, Met Prl White	1
7	47565226002	Panel Frt, Csmr, Met Prl Blue	1
8	47565226003	Panel Frt, Csmr, Met Green	1
9	47565226004	Panel Frt, Csmr, Met Black	1
10	47565226005	Panel Frt, Csmr, Met Platinum	1
11	47565226006	Panel Frt, Csmr, Cdy Apple Red	1
12	47565226007	Panel Frt, Csmr, Met Sapphire	1
13	47565226008	Panel Frt, Csmr, Met Mocha	1
14	47565226009	Panel Frt, Csmr, Met Syn Green	1
15	47565226010	Panel Frt, Csmr, Met Atmc Orng	1
16	47565226011	Panel Frt, Csmr, Met Glacier	1
17	47565226099	Panel Frt, Csmr, No Paint	1
18	47583296001	Reflector, Front, Csmr, Driver-side	1
19	47583296002	Reflector, Front, Csmr, Passenger-side	1

1
G
E



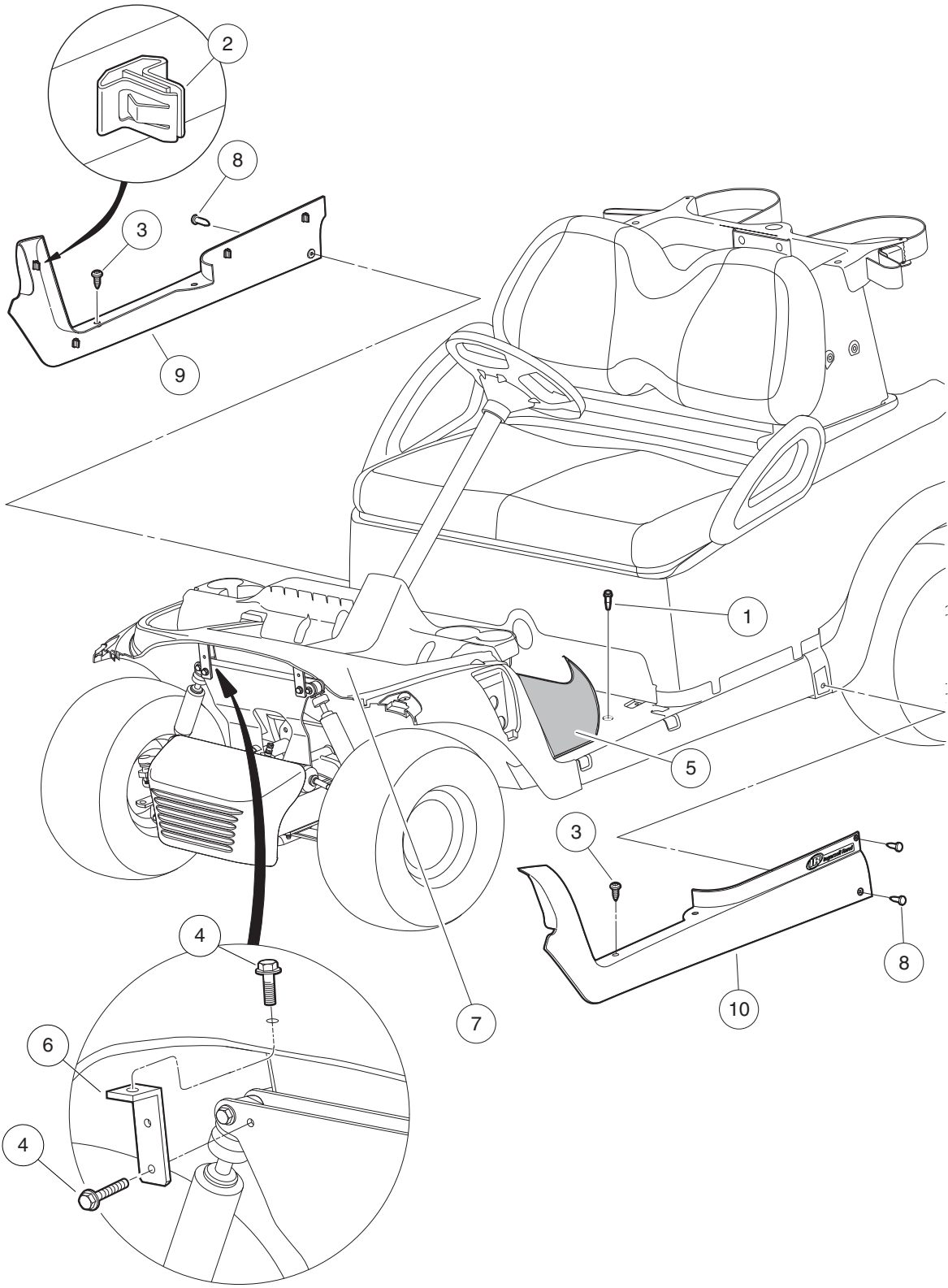
000438-003

DASH

ITEM	PART NO.	DESCRIPTION	QTY
		1 2 3 4	
1	102292356	Screw-1/4-20x56 Hwh Self Drill	2
2	102296819	Screw-M6 x 19	2
3	102557201	Screw, #6-20 Type Abx1.00 Pan	1
4	102915601	Plastic Rivet - Tuflock	1
5	103402701	Dash Assembly	1

1
G
E

1
G
E



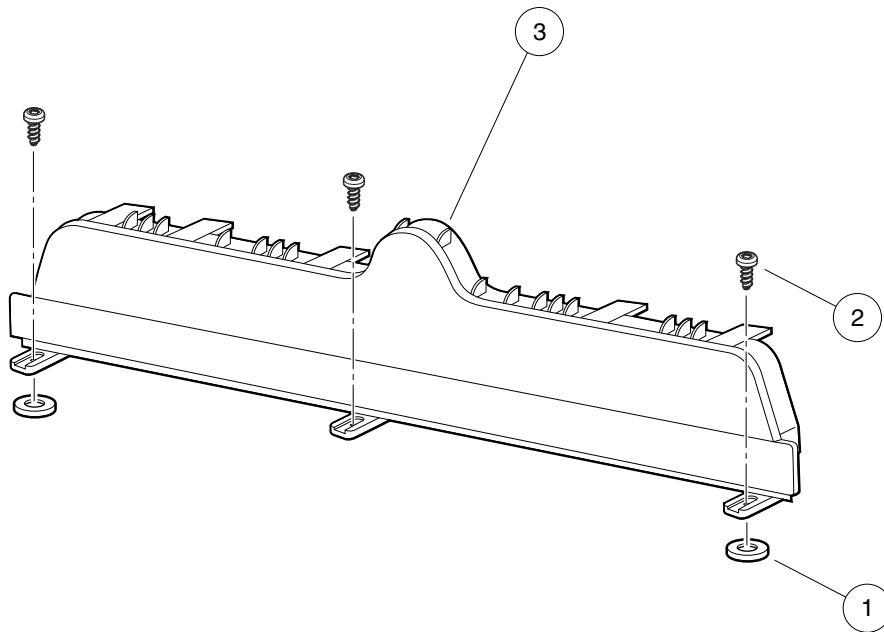
000497-007

FLOOR MAT, RETAINERS, AND FRONT UNDERBODY

ITEM	PART NO.	DESCRIPTION	QTY
		1 2 3 4	
1	102292356	Screw-1/4-20x56 Hwh Self Drill	3
2	102292701	Clip-body-trim	8
3	102298020	Screw, K80x20, Torx Pn Hd Pt	4
4	102298720	Screw, M8-1.25x20, Taptite	4
5	102504802	Floormat	1
6	102521901	Bracket-clamshell	2
7	103635201	Underbody, Front, One Piece	1
8	105291501	Rivet, Plastic Tuflok, 8mm	4
9	105314001	Floormat Retainer, Passenger-side, Black	1
10	105314101	Floormat Retainer, Driver-side, Black	1
<p>Note: The front underbody is a special order item available upon request. It will require some trimming for use on the Onward vehicle.</p>			

1
G
E

1
G
E



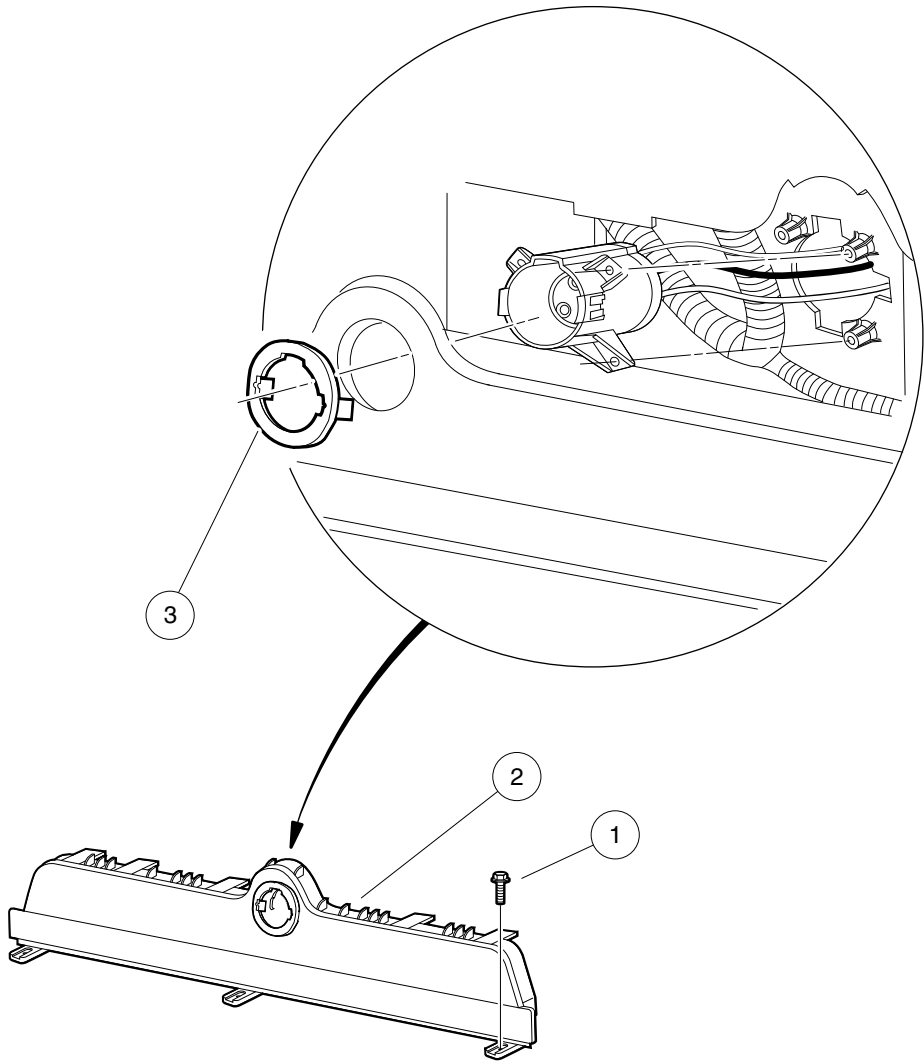
001059-001

KICK PLATE – SUBARU EX40 GAS VEHICLE

ITEM	PART NO.	DESCRIPTION	QTY
		1 2 3 4	
1	1012571	Washer, 5/16 Extra Thick Flat	2
2	102298020	Screw, K80x20, Torx Pn Hd Pt	3
3	105005402	Plate, Kick, Black, Gas EFI	1



1
G
E



000500-003

KICK PLATE – ELECTRIC VEHICLE

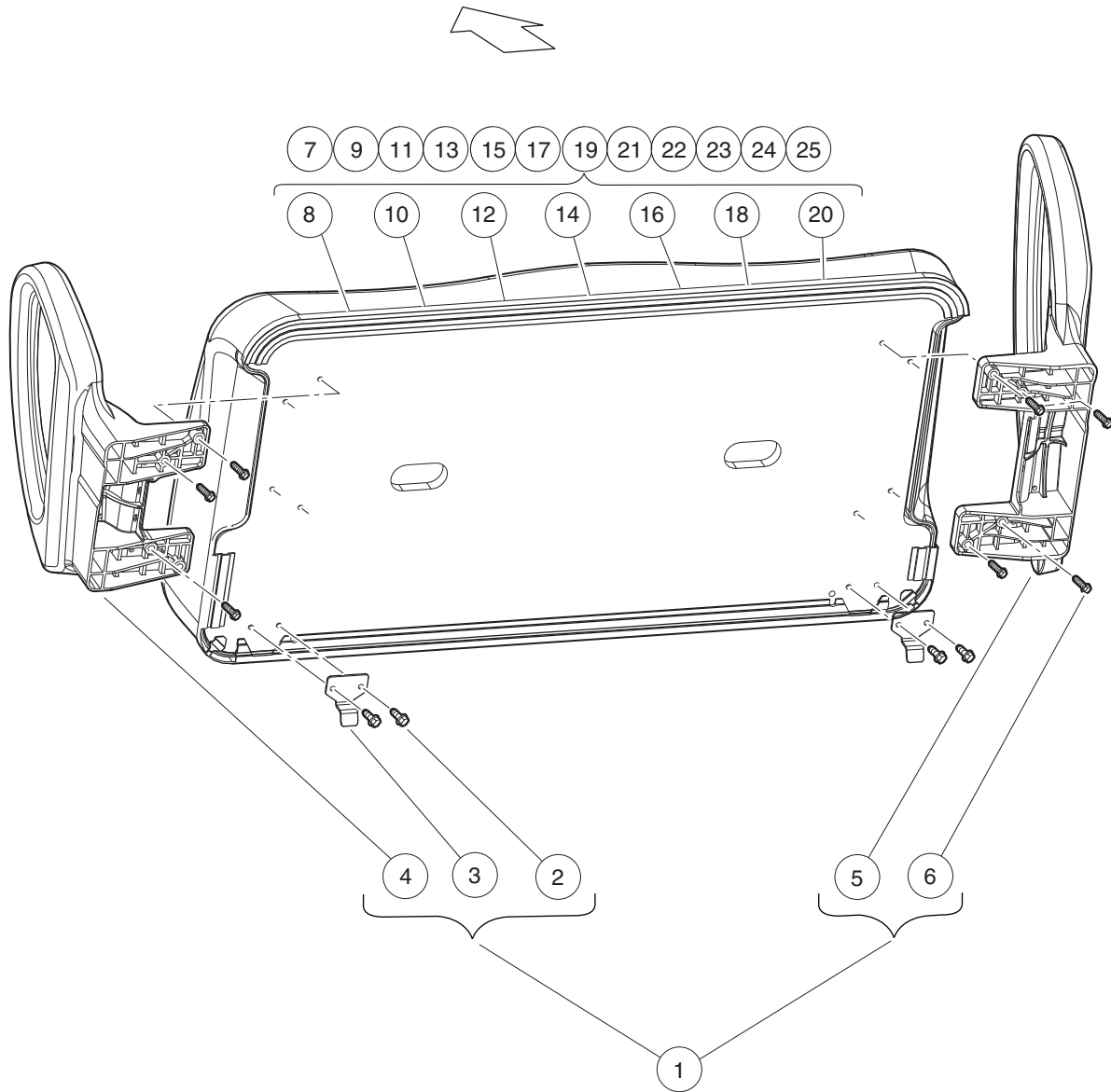
ITEM	PART NO.	DESCRIPTION	QTY
		1 2 3 4	
1	102298030	Screw, K80x30, Torx Pn Hd Pt	3
2	102508202	Plate - Electric Kick Blk	1
3	102516901	Socket Trim	1

1

G

E

1
G
E



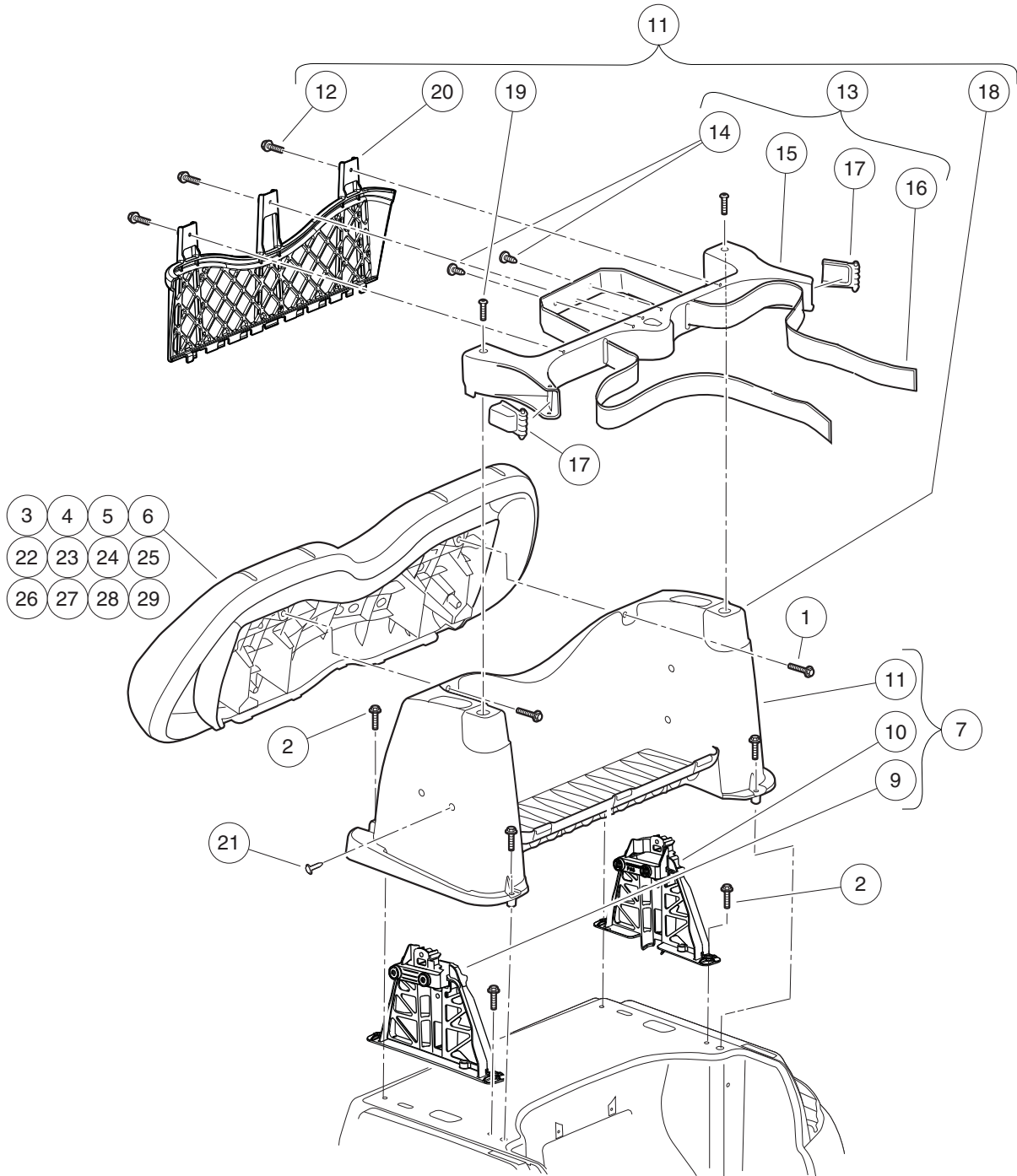
000440-008

SEAT BOTTOM WITH HIP RESTRAINTS

ITEM	PART NO.	DESCRIPTION	QTY
		1 2 3 4	
1	103833901	Kit, Seat Bottom (includes items 2 through 6)	1
2	101954301	Screw, 1/4-20 X 0.75 Hex-Head Cap	4
3	103832901	Hinge, Seat Bottom	2
4	103833601	Hip Restraint, Drv	1
5	103833701	Hip Restraint, Pas	1
6	103833801	1/4-20 X 1.5 Hex Flg Patch	8
7	104023421	Seat Bottom Asm, Beige, Service Replacement (includes item 8)	1
8	101998501	Gasket, Seat	1
9	104023422	Seat Bottom Asm, White, Service Replacement (includes item 10)	1
10	101998501	Gasket, Seat	1
11	104023424	Seat Bottom Asm, Gray, Service Replacement (includes item 12)	1
12	101998501	Gasket, Seat	1
13	104023425	Seat Bottom Asm, Black, Service Replacement (includes item 14)	1
14	101998501	Gasket, Seat	1
15	105223321	Seat Bottom Asm, Premium, Light Beige, Service Replacement (includes item 16)	1
16	101998501	Gasket, Seat	1
17	105223322	Seat Bottom Asm, Premium, Camello, Service Replacement (includes item 18)	1
18	101998501	Gasket, Seat	1
19	105223323	Seat Bottom Asm, Premium, Off-White, Service Replacement (includes item 20)	1
20	101998501	Gasket, Seat	1
21	105223324	Seat Bottom Asm, Premium, Camello/Lt. Beige, Service Replacement	1
22	105223325	Seat Bottom Asm, Premium, Camello/Off-White, Service Replacement	1
23	105223326	Seat Bottom Asm, Premium, Lt. Beige/Off-White, Service Replacement	1
24	105223327	Seat Bottom Asm, Premium, Black, Service Replacement	1
25	105223328	Seat Bottom Asm, Premium, Black/Gray, Service Replacement	1

1
G
E

1
G
E



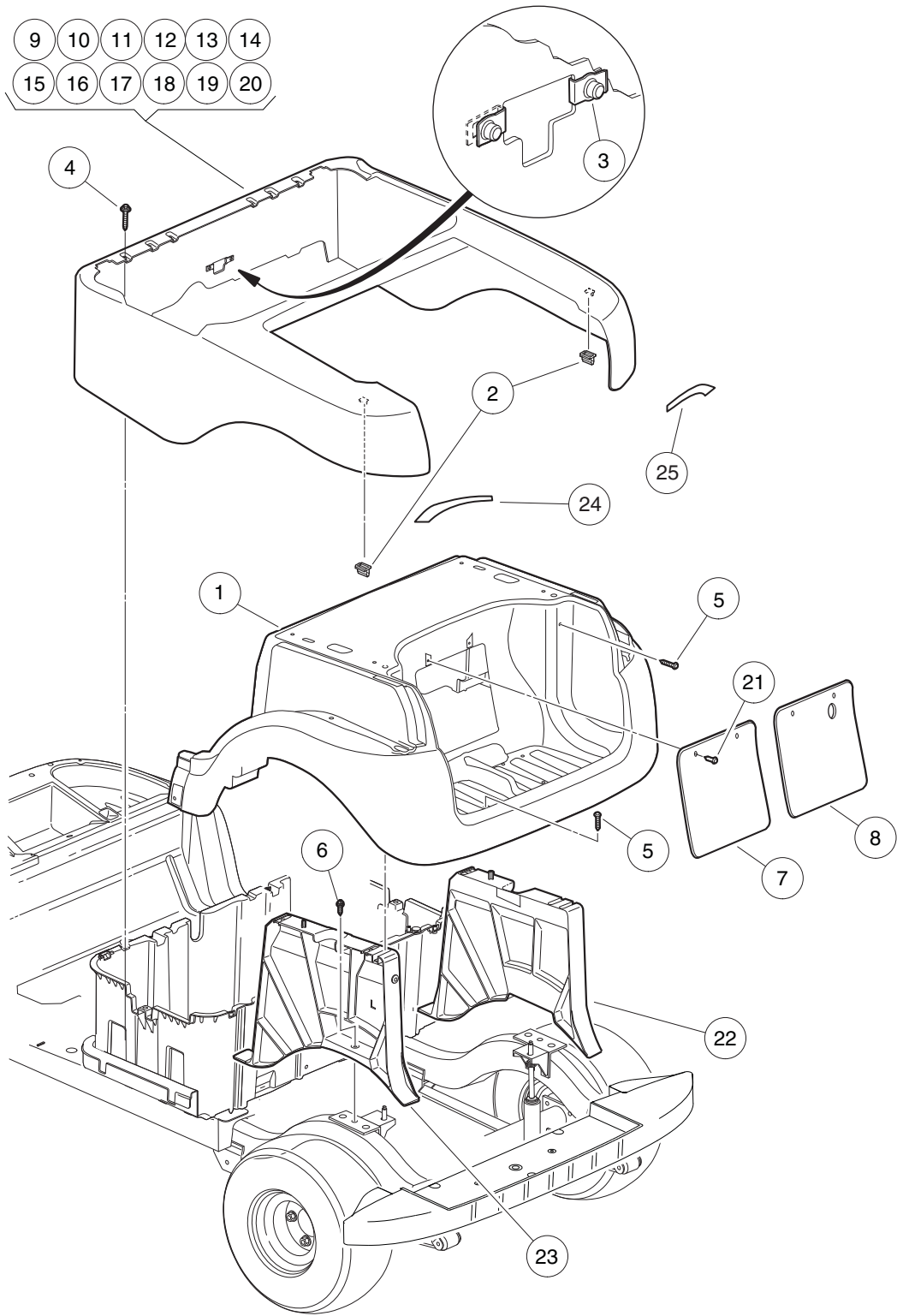
000435-011

SEAT BACK, BACKREST, AND STRUCTURAL ACCESSORY MODULE (SAM)

ITEM	PART NO.	DESCRIPTION	QTY
		1 2 3 4	
1	102296530	Screw - M6 X 1.0 X 30 Sems	2
2	102298240	Bolt, Flange Head, M8-1.25 X 40	6
3	103853121	Asm, Seat Back, Beige, Service Replacement	1
4	103853122	Asm, Seat Back, White, Service Replacement	1
5	103853124	Asm, Seat Back, Gray, Service Replacement	1
6	103853125	Asm, Seat Back, Black, Service Replacement	1
7	103952901	Kit, S.A.M. Assembly (includes items 8 through 11)	1
8	102297230	Screw, M6, Torx, Interlock Thread	4
9	103929301	Support- Canopy, Drv	1
10	103929302	Support- Canopy, Pass	1
11	N/A	Asm, S.A.M. (includes items 12 through 20)	1
12	102297230	Screw, M6, Torx, Interlock Thread	3
13	102504001	Asm, Bag Hoop (includes items 14 through 17)	1
14	1010434	Barrel - Plastic	2
15	102504201	Hoop-bag	1
16	102504301	Strap, Bag	1
17	102517001	Buckle-bag Strap	2
18	N/A	Structural Accessory Module (S.A.M.)	1
19	103327601	Screw, 5/16, Torx, Bosscrew	2
20	103699401	Panel, S.A.M., Prec	1
21	103978801	Barrel-push 6mm	4
22	105223421	Asm, Seat Back, Premium, Lt. Beige, Service Replacement	1
23	105223422	Asm, Seat Back, Premium, Camello, Service Replacement	1
24	105223423	Asm, Seat Back, Premium, Off-White, Service Replacement	1
25	105223424	Asm, Seat Back, Premium, Camello/Lt. Beige, Service Replacement	1
26	105223425	Asm, Seat Back, Premium, Camello/Off-White, Service Replacement	1
27	105223426	Asm, Seat Back, Premium, Lt. Beige/Off-White, Service Replacement	1
28	105223427	Asm, Seat Back, Premium, Black, Service Replacement	1
29	105223428	Asm, Seat Back, Premium, Black/Gray, Service Replacement	1
		Note: Screws (item 8) not shown. These are four new screws to replace those used to attach accessory mounting brackets to SAM (item 18).	

1
G
E

1
G
E



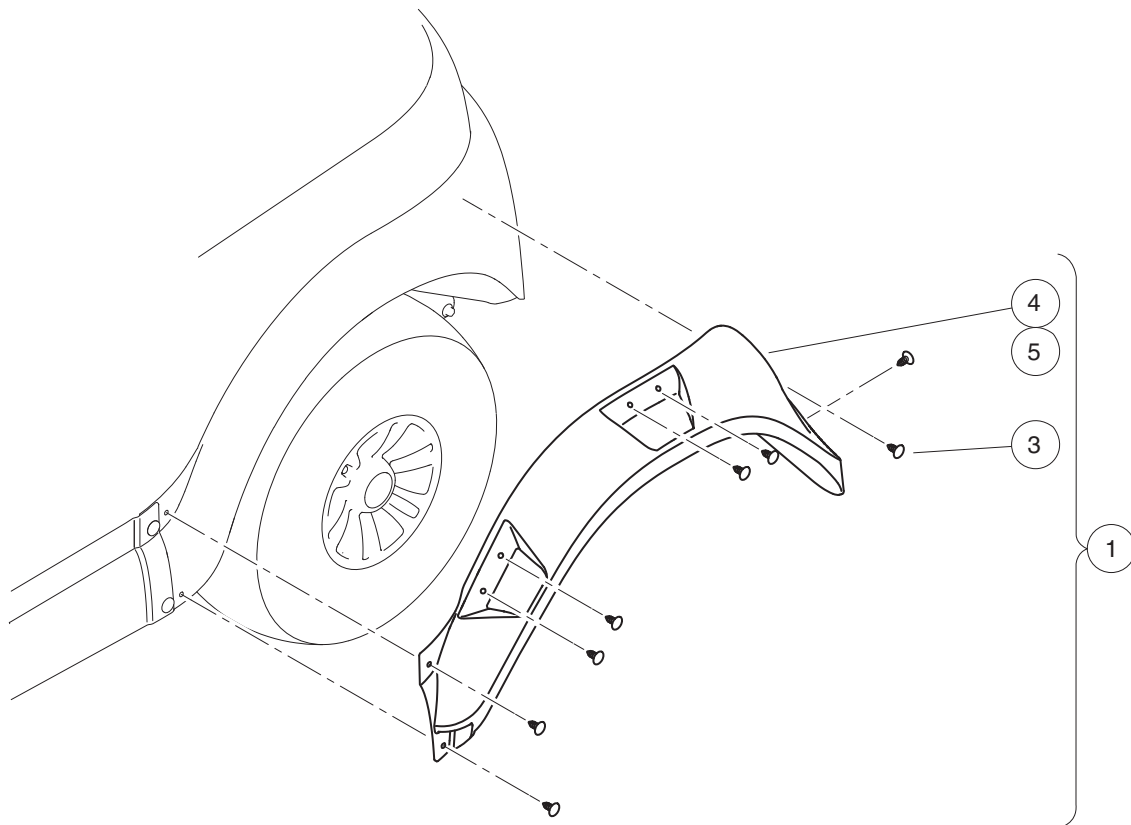
000436-012

REAR BODY

ITEM	PART NO.	DESCRIPTION	QTY
		1 2 3 4	
1	102279105	Underbody-rear, Blk, Csmr	1
2	102292701	Clip-body-trim	2
3	102296601	U-Nut, M6-1.0, Prevailing Torque	2
4	102297230	Screw, M6, Torx, Interlock Thread	4
5	102298030	Screw, K80x30, Torx Pn Hd Pt	4
6	102298716	M8-1.25x16 Taptite	2
7	102501402	Panel, Access, Black	1
8	102501403	Panel, Access, Black, with Punched Hole	1
9	102502351	Panel Rear, Platinum	1
10	102502352	Panel Rear, Candy Apple Red	1
11	102502353	Panel Rear, Metallic Sapphire	1
12	102502354	Panel Rear, Metallic Mocha	1
13	102502355	Panel Rear, Met Prl White	1
14	102502356	Panel Rear, Met Prl Blue	1
15	102502359	Panel Rear, Met Syn Green	1
16	102502360	Panel Rear, Met Atmc Orng	1
17	102502377	Panel Rear, Met Green, Sp	1
18	102502378	Panel Rear, Met Black, Sp	1
19	102502381	Panel Rear, Met Glacier, Sp	1
20	102502399	Panel Rear, No Paint	1
21	102967901	Rivet, Removable, Tuflok 1/4"	2
22	103812901	Asm, Rear Underbody Support, Passenger-side	1
23	103813001	Asm, Rear Underbody Support, Driver-side	1
24	47583297001	Reflector, Rear, Csmr, Driver-side	1
25	47583297002	Reflector, Rear, Csmr, Passenger-side	1

1
G
E

1
G
E



001326-001

REAR FENDERS

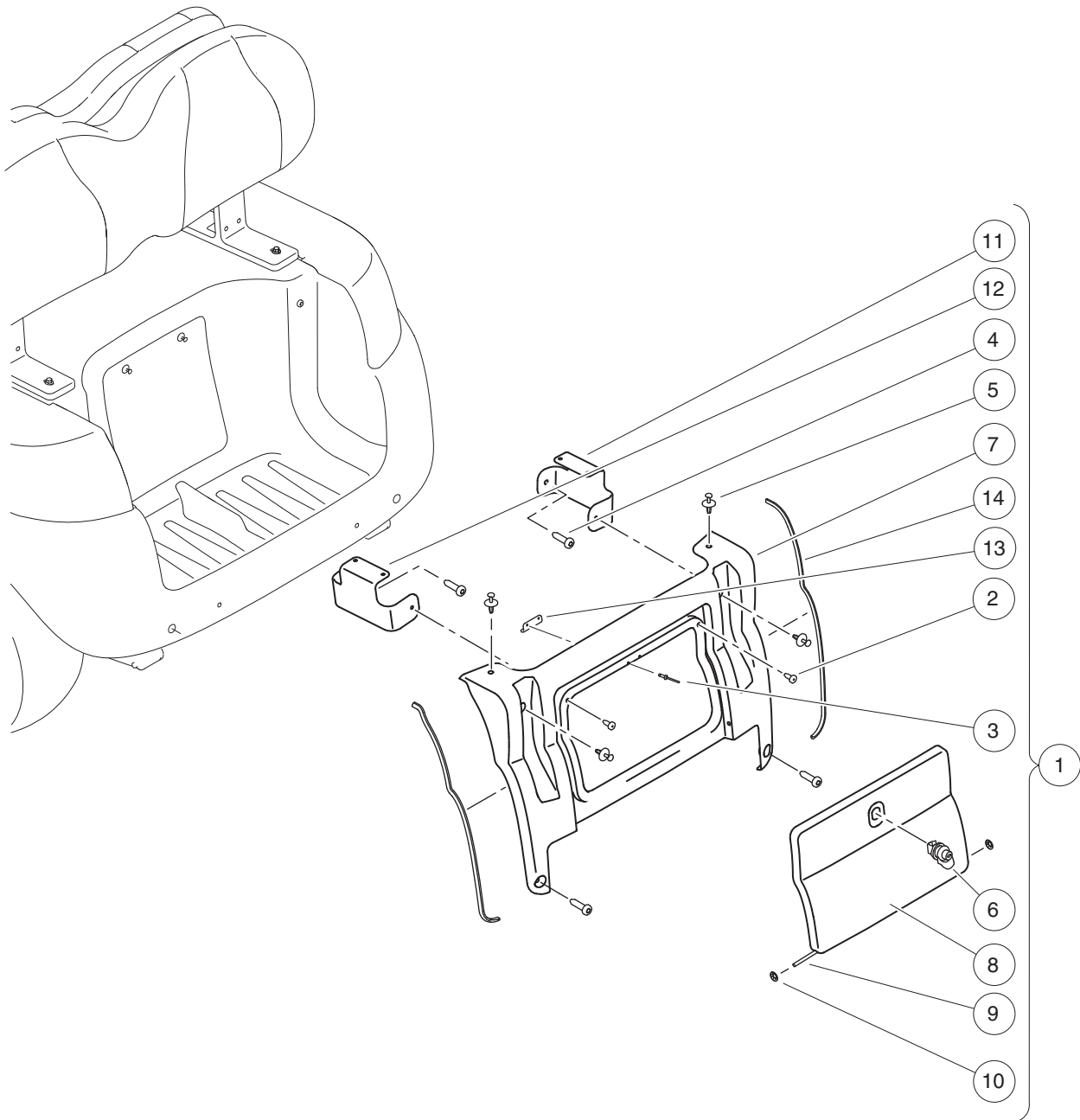
ITEM	PART NO.	DESCRIPTION	QTY
		1 2 3 4	
1	AM15027001	Kit, Fenders, Rear, Csmr, Pack (includes item 2)	1
2	N/A	Kit, Fenders, Rear, CSMR (includes items 3 through 5)	1
3	1010434	Barrel - Plastic	16
4	N/A	Fender, Rear, Csmr, Driver-side	1
5	N/A	Fender, Rear, Csmr, Passenger-side	1

1

G

E

1
G
E



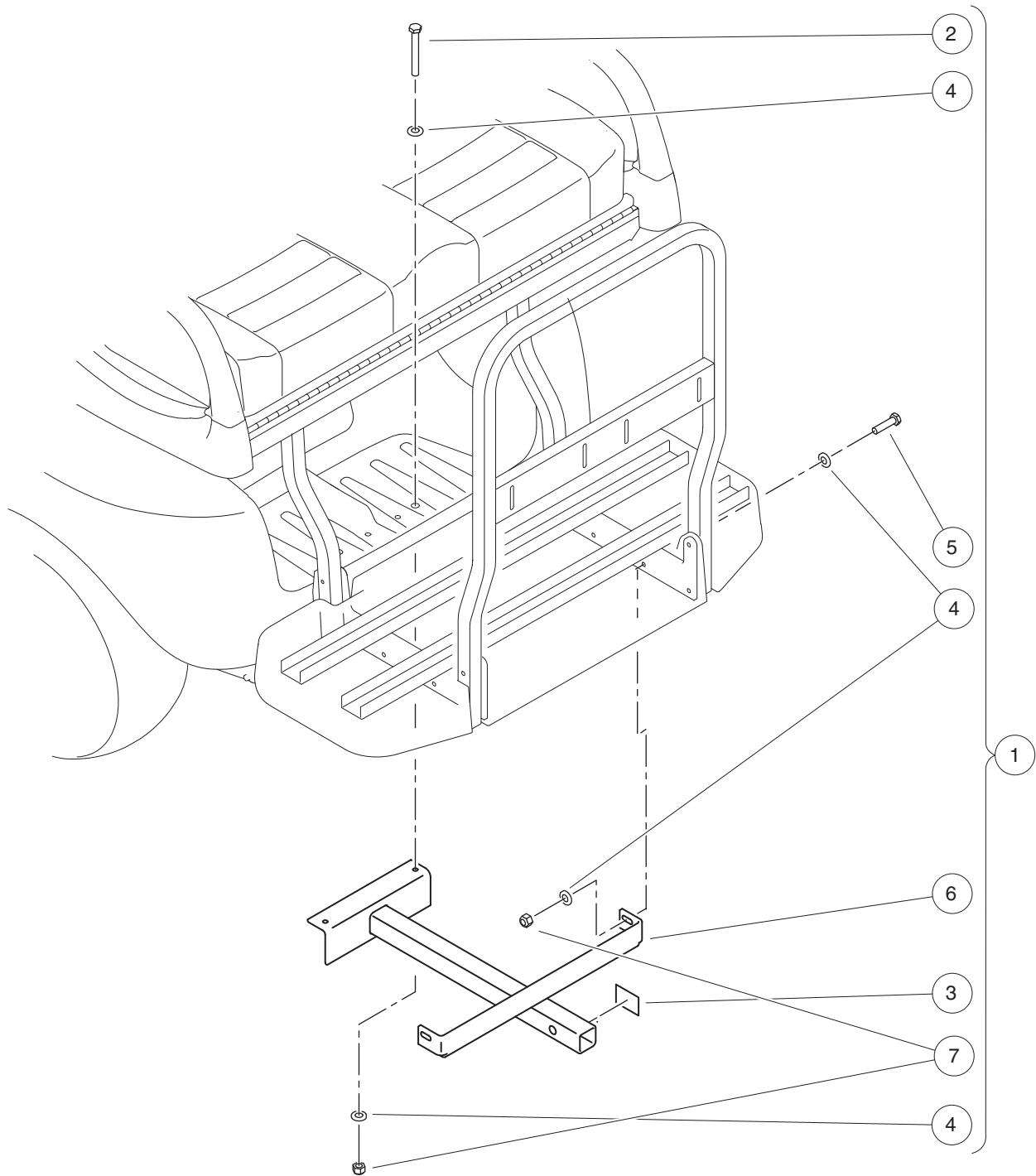
001327-001

REAR VALANCE

ITEM	PART NO.	DESCRIPTION	QTY
		1 2 3 4	
1	47579068001	Kit, Rear Valance (includes items 2 through 14)	1
2	1010436	Bumper, Rubber	2
3	1015727	Rivet, 1/8	2
4	102298030	Screw, K80x30, Torx Pn Hd Pt	2
5	102967901	Rivet, Removable, Tuflok 1/4"	4
6	103182702	Latch, Push Close W/ Key	1
7	47579059001	Body, Rear Valance	1
8	47579060001	Door, Rear Valance	1
9	47579061001	Hinge Rod, Rear Valance	1
10	47579062001	Push Nut, Smooth Shaft, 1/4	2
11	N/A	Bracket, Rear Valance, Driver-Side	1
12	N/A	Bracket, Rear Valance, Passenger-Side	1
13	47579065001	Keeper, Latch, Rear Valance	1
14	47579066001	Edge Trim, Rear Valance	2

1
G
E

1
G
E



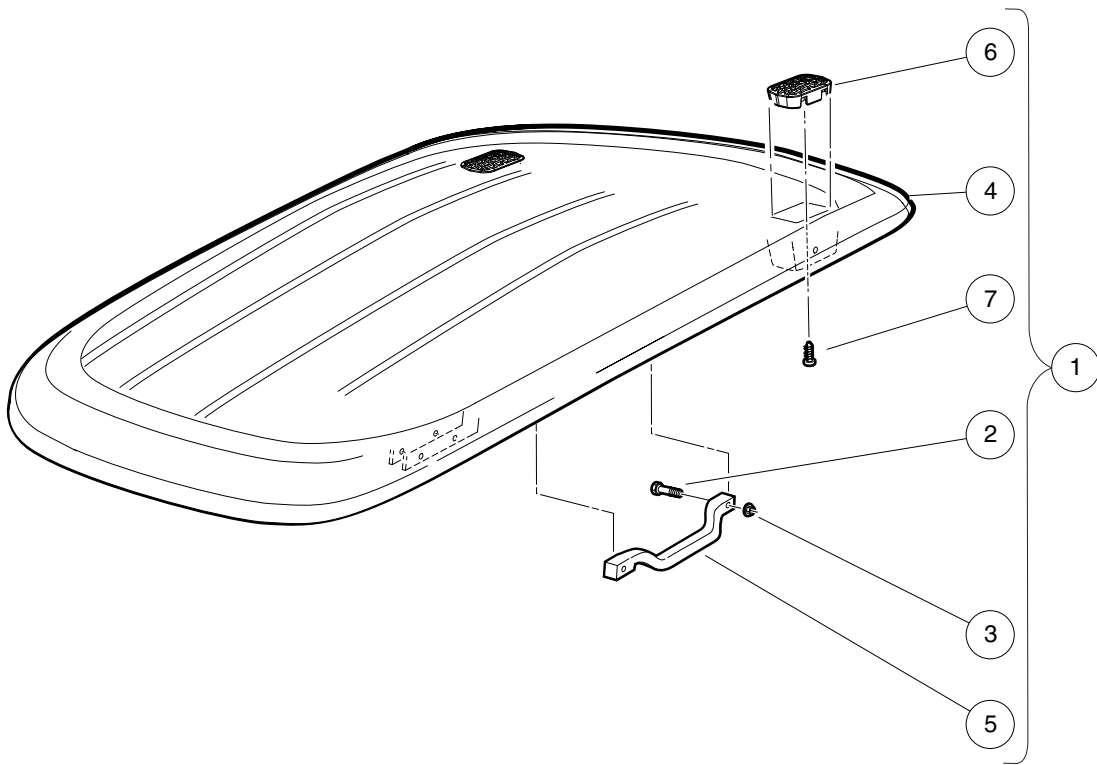
001328-001

RECEIVER HITCH

ITEM	PART NO.	DESCRIPTION	QTY
		1 2 3 4	
1	47578437001	Kit, Receiver Hitch, Csmr (includes items 2 through 7)	1
2	1010921	Screw, 5/16-18 X 2.50 Hex Cap	2
3	1011553	Decal, Trailer Hitch	1
4	1011697	Washer, 5/16 Flat	8
5	1218	Screw, 5/16-18 X 1.25 Hex-Head Cap	2
6	47575464001	Asm Receiver Hitch Weldment	1
7	7473	Locknut, 5/16-18 Nylon Insert	4

1
G
E

1
G
E



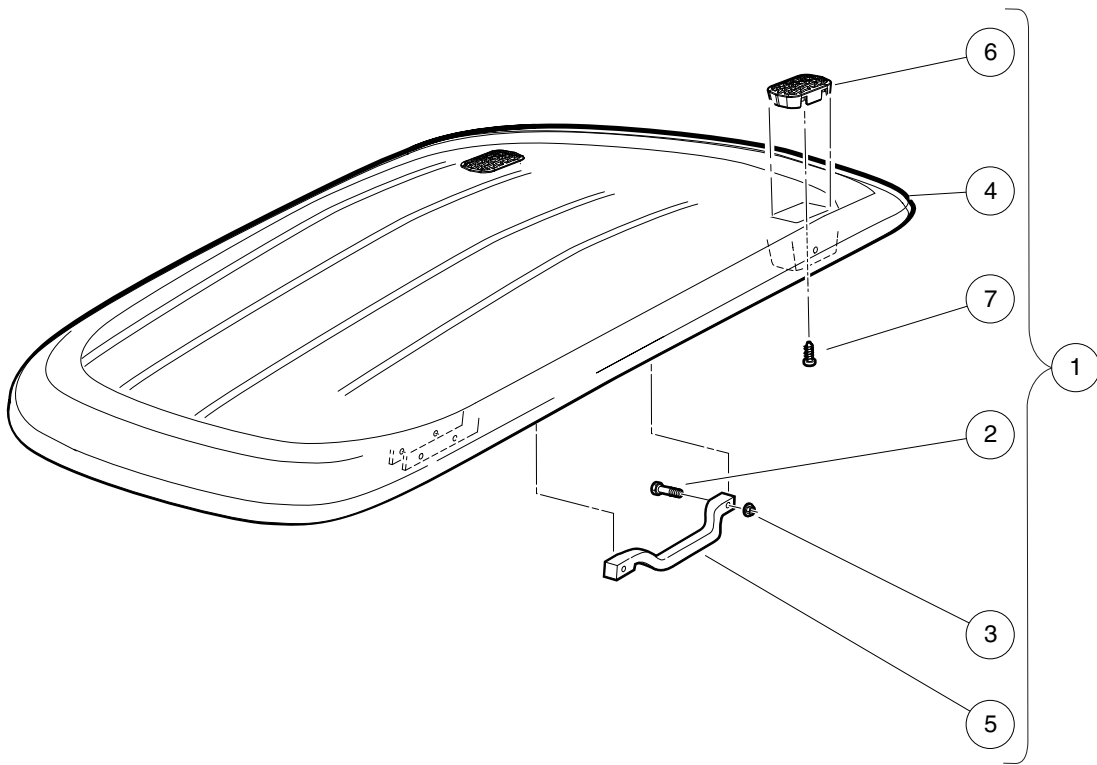
000439-009

CANOPY – WHITE

ITEM	PART NO.	DESCRIPTION	QTY
		1 2 3 4	
1	104008001	Asm, Canopy W/handles, White (includes items 2 through 7)	1
2	102296140	Bolt, Flanged Head, M6x1.0x40	4
3	102296401	Nut, M6x1.0, Flange, Metal Lock	4
4	102508901	Canopy-white	1
5	102511601	Handle, Canopy (White)	2
6	103205101	Cover, Drain, Canopy	2
7	103210101	Screw, #8 X.75, Torx, Tapping	2

1
G
E

1
G
E



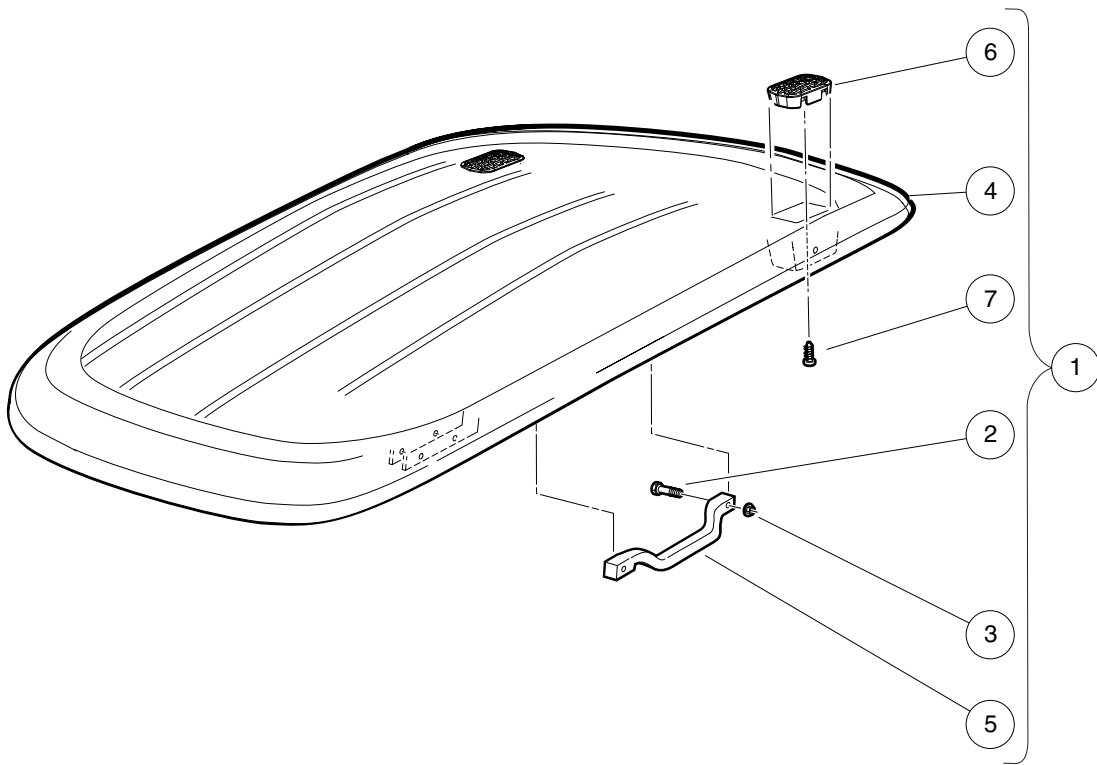
000439-009

CANOPY – BEIGE

ITEM	PART NO.	DESCRIPTION	QTY
		1 2 3 4	
1	104008002	Asm, Canopy W/handles, Beige (includes items 2 through 7)	1
2	102296140	Bolt, Flanged Head, M6x1.0x40	4
3	102296401	Nut, M6x1.0, Flange, Metal Lock	4
4	102508902	Canopy-beige	1
5	102511602	Handle, Canopy (Beige)	2
6	103205101	Cover, Drain, Canopy	2
7	103210101	Screw, #8 X.75, Torx, Tapping	2

1
G
E

1
G
E



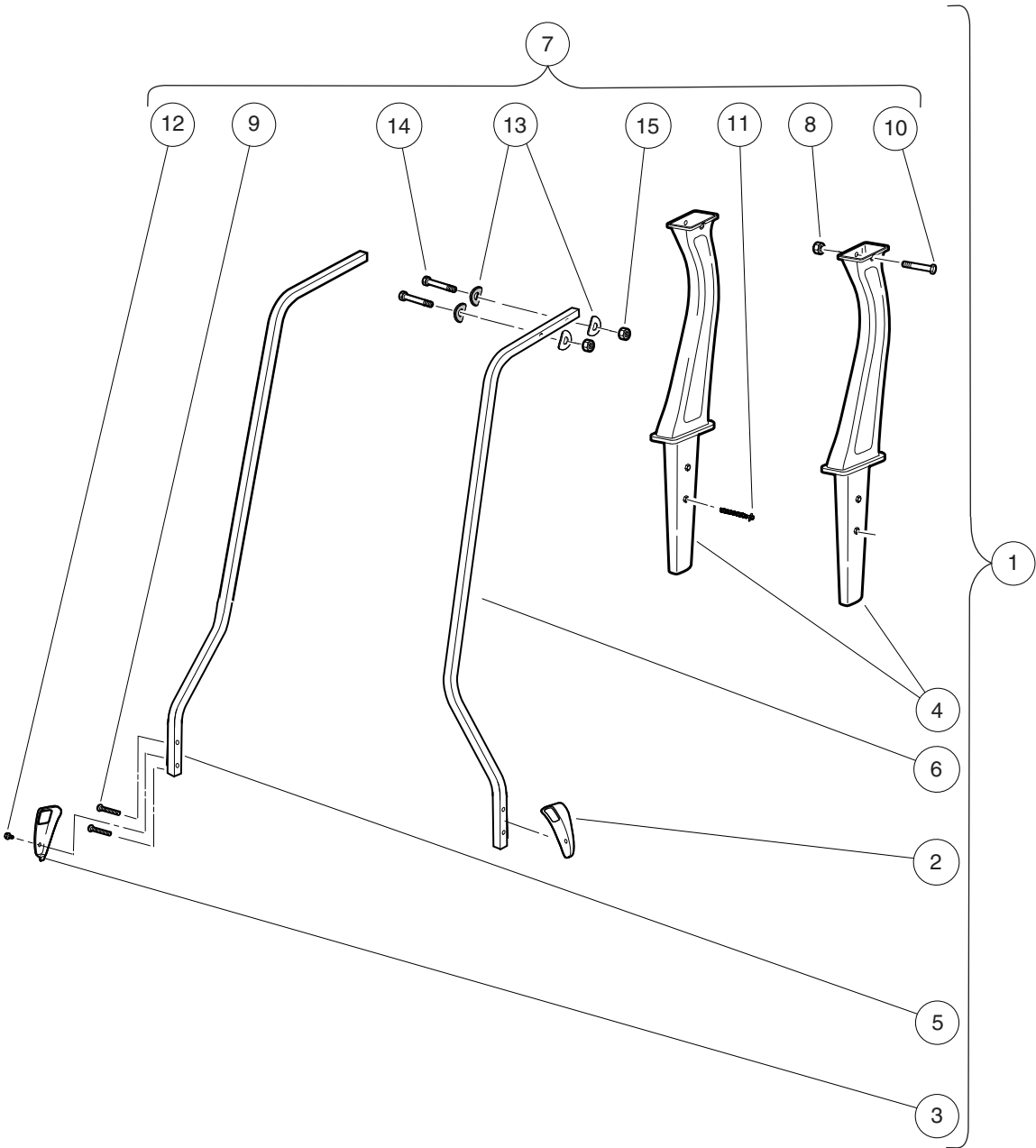
000439-009

CANOPY – BLACK

ITEM	PART NO.	DESCRIPTION	QTY
		1 2 3 4	
1	104008003	Asm, Canopy W/handles, Black (includes items 2 through 7)	1
2	102296140	Bolt, Flanged Head, M6x1.0x40	4
3	102296401	Nut, M6x1.0, Flange, Metal Lock	4
4	102508903	Canopy-black	1
5	102511603	Handle-canopy (black)	2
6	103205101	Cover, Drain, Canopy	2
7	103210101	Screw, #8 X.75, Torx, Tapping	2

1
G
E

1
G
E



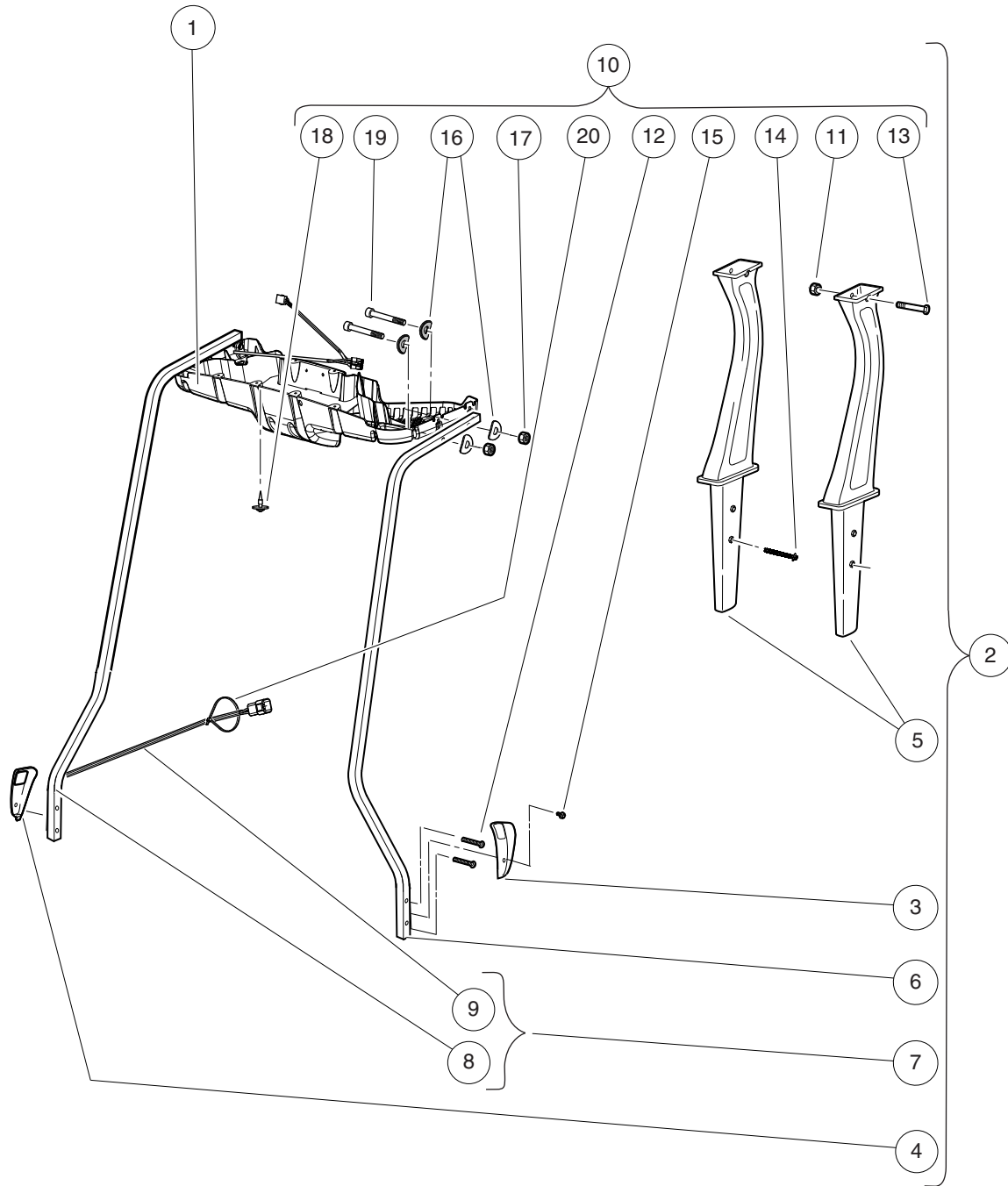
000439-010

CANOPY STRUTS

ITEM	PART NO.	DESCRIPTION	QTY
		1 2 3 4	
1	104008901	Kit, Sp, Struts, Std (includes items 2 through 7)	1
2	102400002	Cover, Canopy Support, Driver-side, Black	1
3	102400102	Cover, Canopy Support, Passenger-side, Black	1
4	102513501	Asm-rear Canopy Support	2
5	103750001	Strut, Canopy Front, Passenger-side	1
6	103750101	Strut, Canopy Front, Driver-side	1
7	104008501	Kit, Hardware, Canopy, Std (includes items 8 through 15)	1
8	102298401	Nut,m8,all Metal Lock	2
9	102299065	M8-1.25 X 65 Tx Bttm Hd Bolt	4
10	102299360	Screw, M8-1.25 X 60, Sems, Tx	2
11	102299601	Screw, Pt, K80x70 Hex Flg Hd	2
12	102544201	Screw, M6 Hex	2
13	103196001	Washer, Conical Spring, Canopy	8
14	103199301	Bolt - M6 X 1 X 45 Hh Grey	4
15	103200301	Nut, M6 x 1.00	4

1
G
E

1
G
E



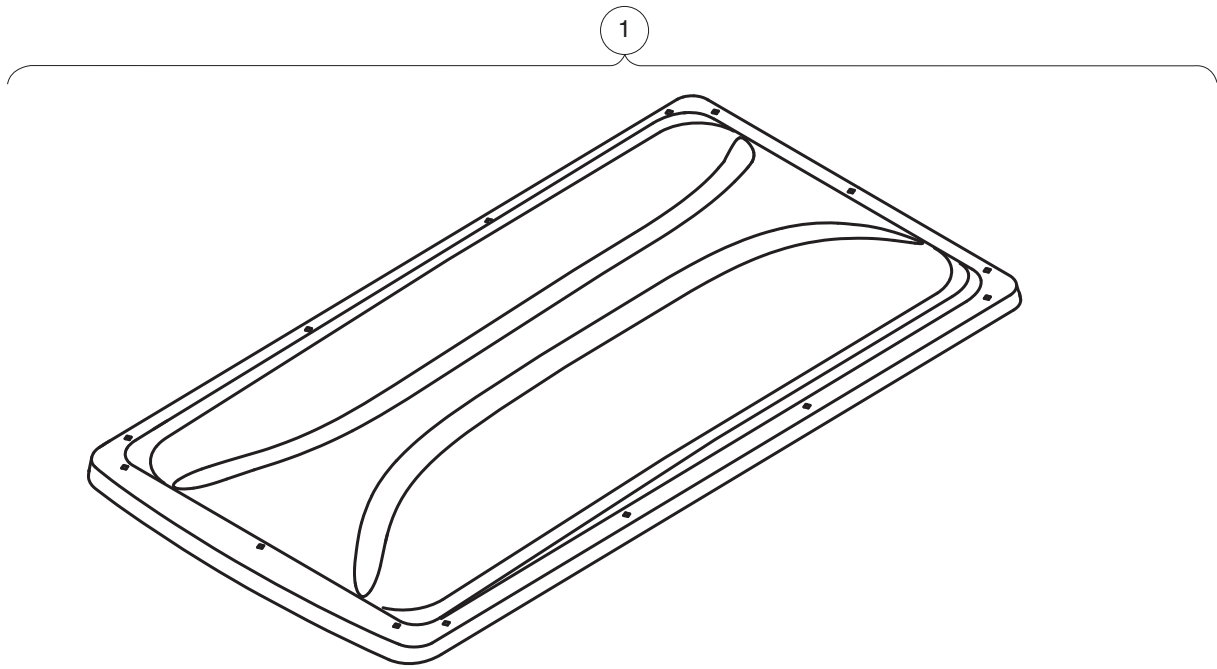
000439-011

VISAGE CANOPY STRUTS AND CONSOLE

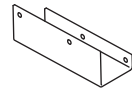
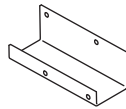
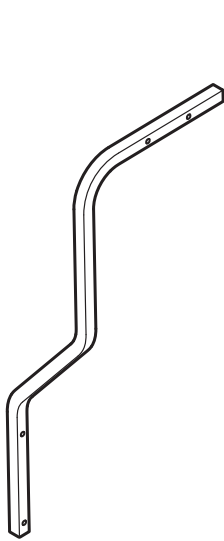
ITEM	PART NO.	DESCRIPTION	QTY
		1 2 3 4	
1	103725601	Support, Guardian Canopy Mt	1
2	104008902	Kit, Sp, Struts, Prec, Vis (includes items 3 through 10)	1
3	102400002	Cover, Canopy Support, Driver-side, Black	1
4	102400102	Cover, Canopy Support, Passenger-side, Black	1
5	102513501	Asm-rear Canopy Support	2
6	103750101	Strut, Canopy Front, Driver-side	1
7	103775201	Asm, Strut, Canopy Front, Passenger-side, V2 (includes items 8 and 9)	1
8	103750001	Strut, Canopy Front, Passenger-side	1
9	103775601	Harness, Canopy Mount, V2	1
10	104008502	Kit, Hardware, Canopy, Vis (includes items 11 through 20)	1
11	102298401	Nut,m8,all Metal Lock	2
12	102299065	M8-1.25 X 65 Tx Bttm Hd Bolt	4
13	102299360	Screw, M8-1.25 X 60, Sems, Tx	2
14	102299601	Screw, Pt, K80x70 Hex Flg Hd	2
15	102544201	Screw, M6 Hex	2
16	103196001	Washer, Conical Spring, Canopy	4
17	103200301	Nut, M6 x 1.00	4
18	103774801	Screw, Pt, Washer Head, 4x16	6
19	103881201	Socket Head Cap Screw, M6 X 50mm, Magni-Coated	4
20	8990	Tie Wrap, 8" Nylon	1

1
G
E

1
G
E



2

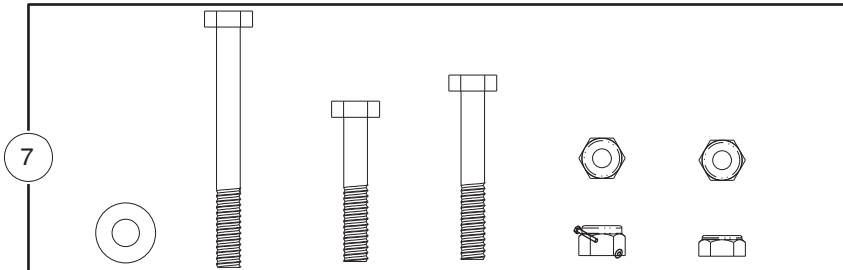


3

4

5

6



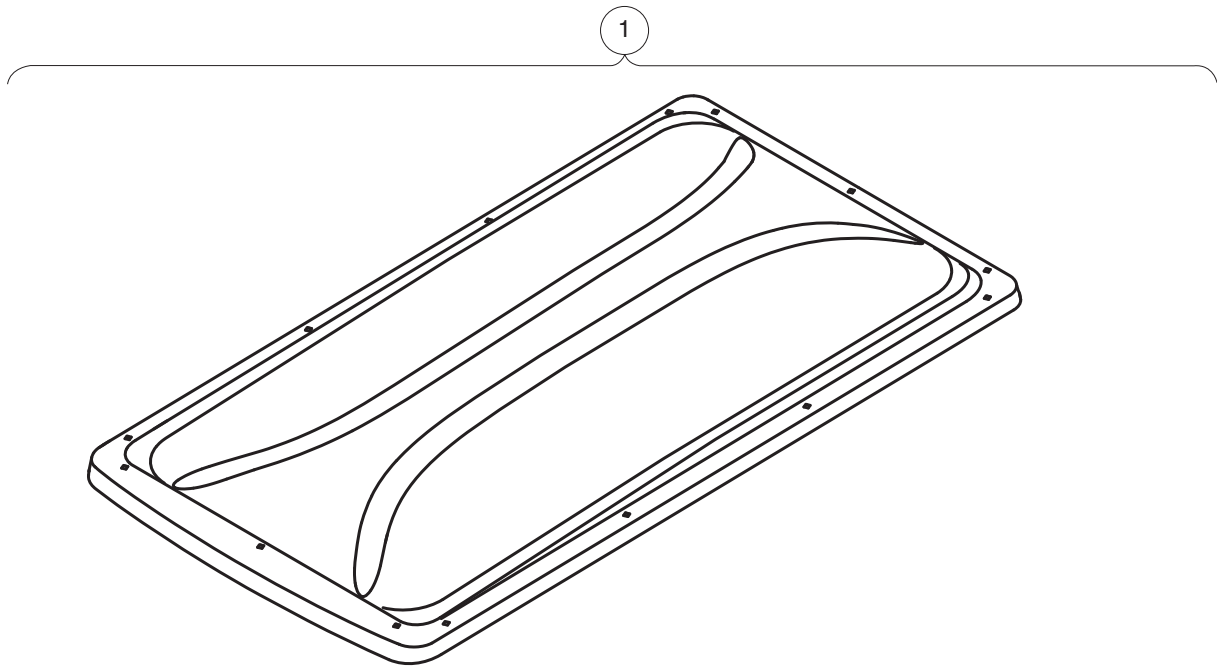
001329-001

FOUR-PASSENGER CANOPY WITH REAR STRUTS – BLACK

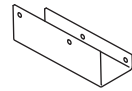
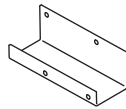
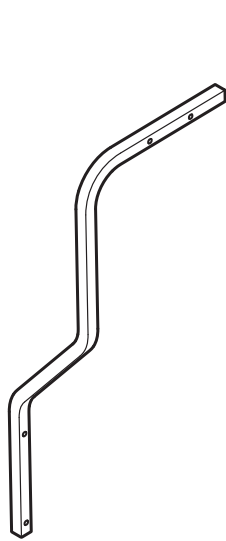
ITEM	PART NO.	DESCRIPTION	QTY
		1 2 3 4	
1	47570464001	Kit, Canopy, Phantom, Blk (includes items 2 through 7)	1
2	N/A	Top, Canopy, Phantom Blk	1
3	N/A	Strut, Canopy, Phantom Ds	1
4	N/A	Strut, Canopy, Phantom Ps	1
5	47582821001	Bracket, Canopy, Phantom Ds	1
6	47582821002	Bracket, Canopy, Phantom Ps	1
7	47583112001	Kit, Hardware, Canopy Phantom	1

1
G
E

1
G
E



2

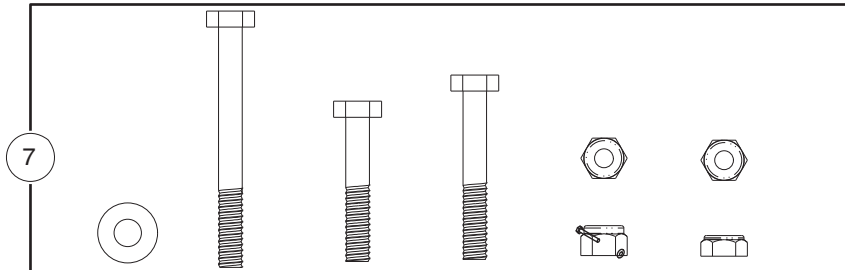


3

4

5

6



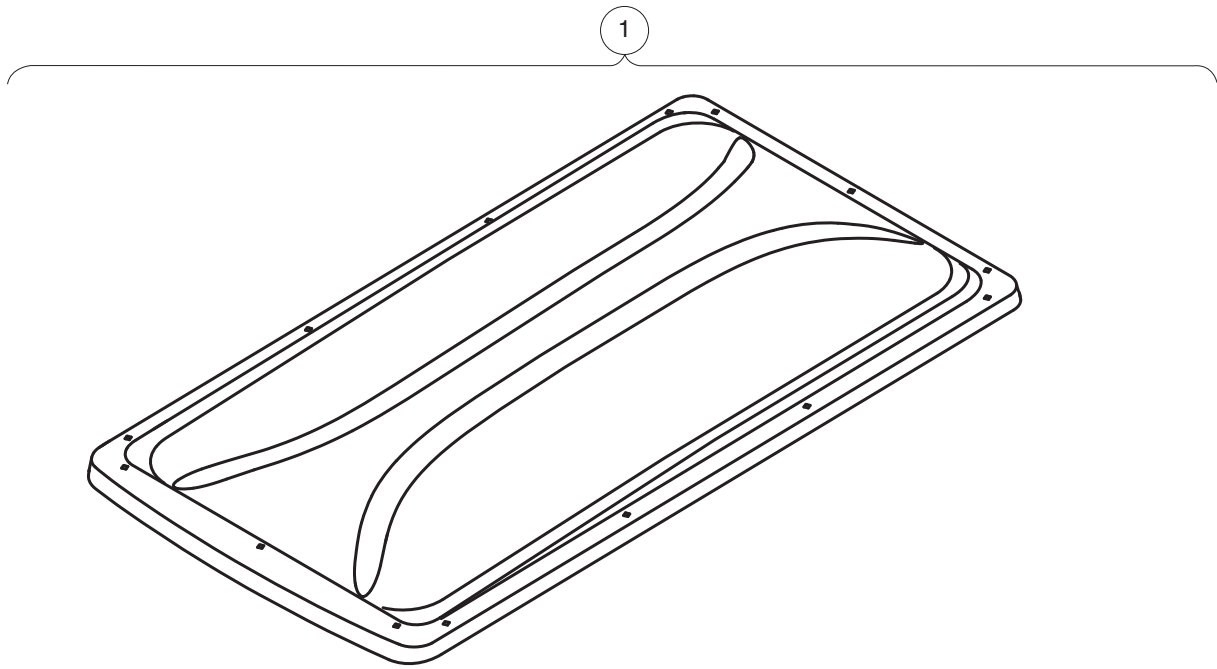
001329-001

FOUR-PASSENGER CANOPY WITH REAR STRUTS – WHITE

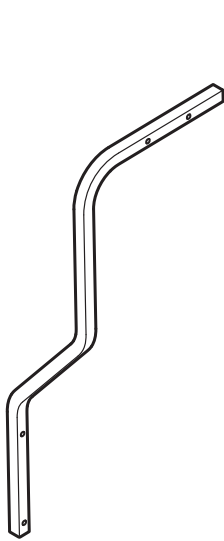
ITEM	PART NO.	DESCRIPTION	QTY
		1 2 3 4	
1	47570464002	Kit, Canopy, Phantom, Wht (includes items 2 through 7)	1
2	N/A	Top, Canopy, Phantom Wht	1
3	N/A	Strut, Canopy, Phantom Ds	1
4	N/A	Strut, Canopy, Phantom Ps	1
5	47582821001	Bracket, Canopy, Phantom Ds	1
6	47582821002	Bracket, Canopy, Phantom Ps	1
7	47583112001	Kit, Hardware, Canopy Phantom	1

1
G
E

1
G
E



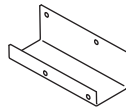
2



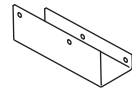
3



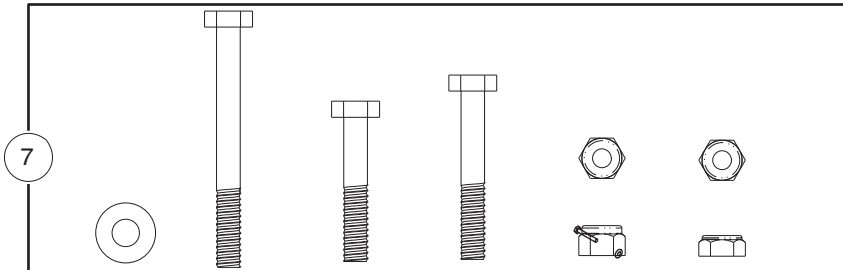
4



5



6



7

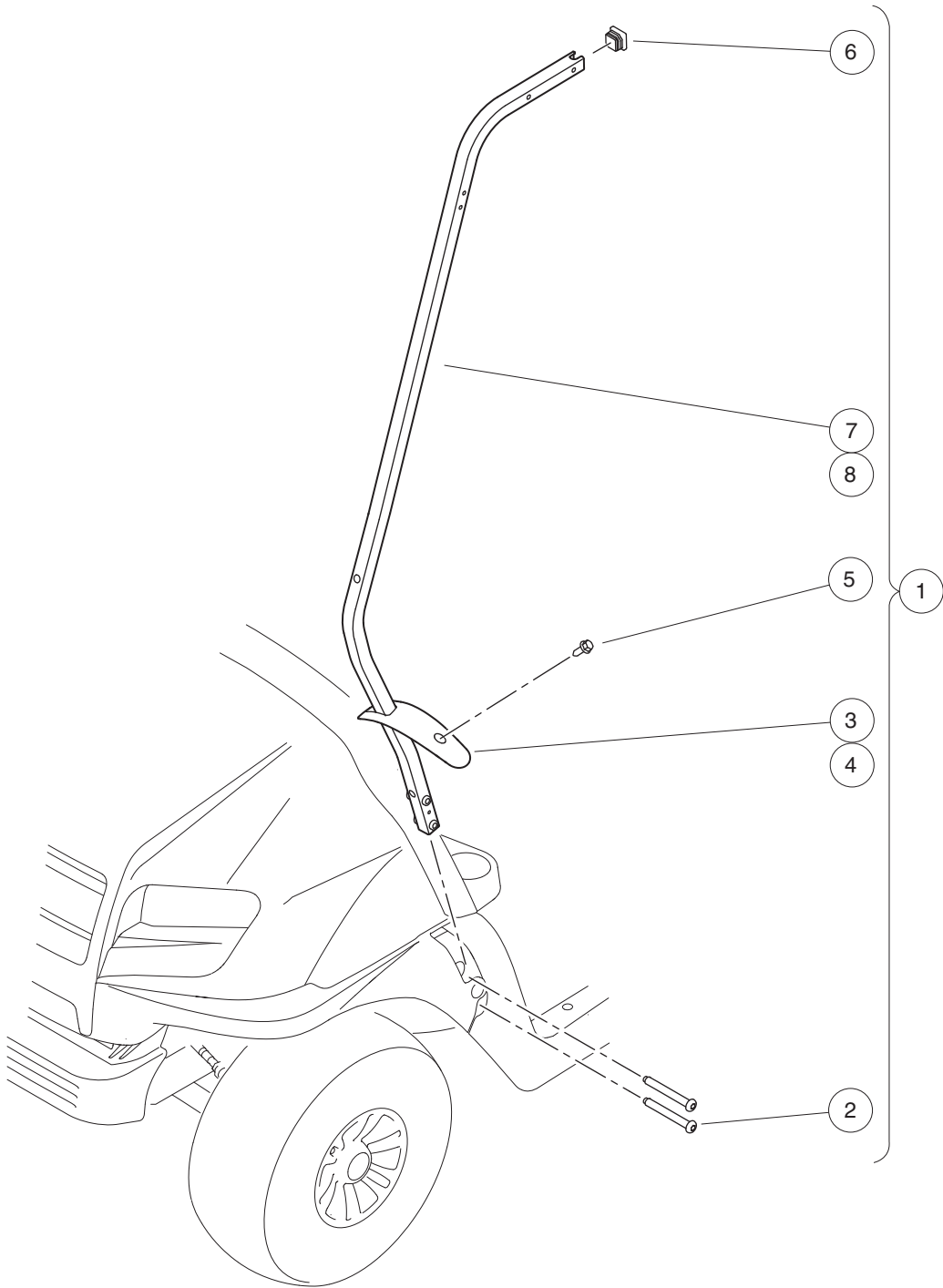
001329-001

FOUR-PASSENGER CANOPY WITH REAR STRUTS – BEIGE

ITEM	PART NO.	DESCRIPTION	QTY
		1 2 3 4	
1	47570464003	Kit, Canopy, Phantom, Beige (includes items 2 through 7)	1
2	N/A	Top, Canopy, Phantom Beige	1
3	N/A	Strut, Canopy, Phantom Ds	1
4	N/A	Strut, Canopy, Phantom Ps	1
5	47582821001	Bracket, Canopy, Phantom Ds	1
6	47582821002	Bracket, Canopy, Phantom Ps	1
7	47583112001	Kit, Hardware, Canopy Phantom	1

1
G
E

1
G
E



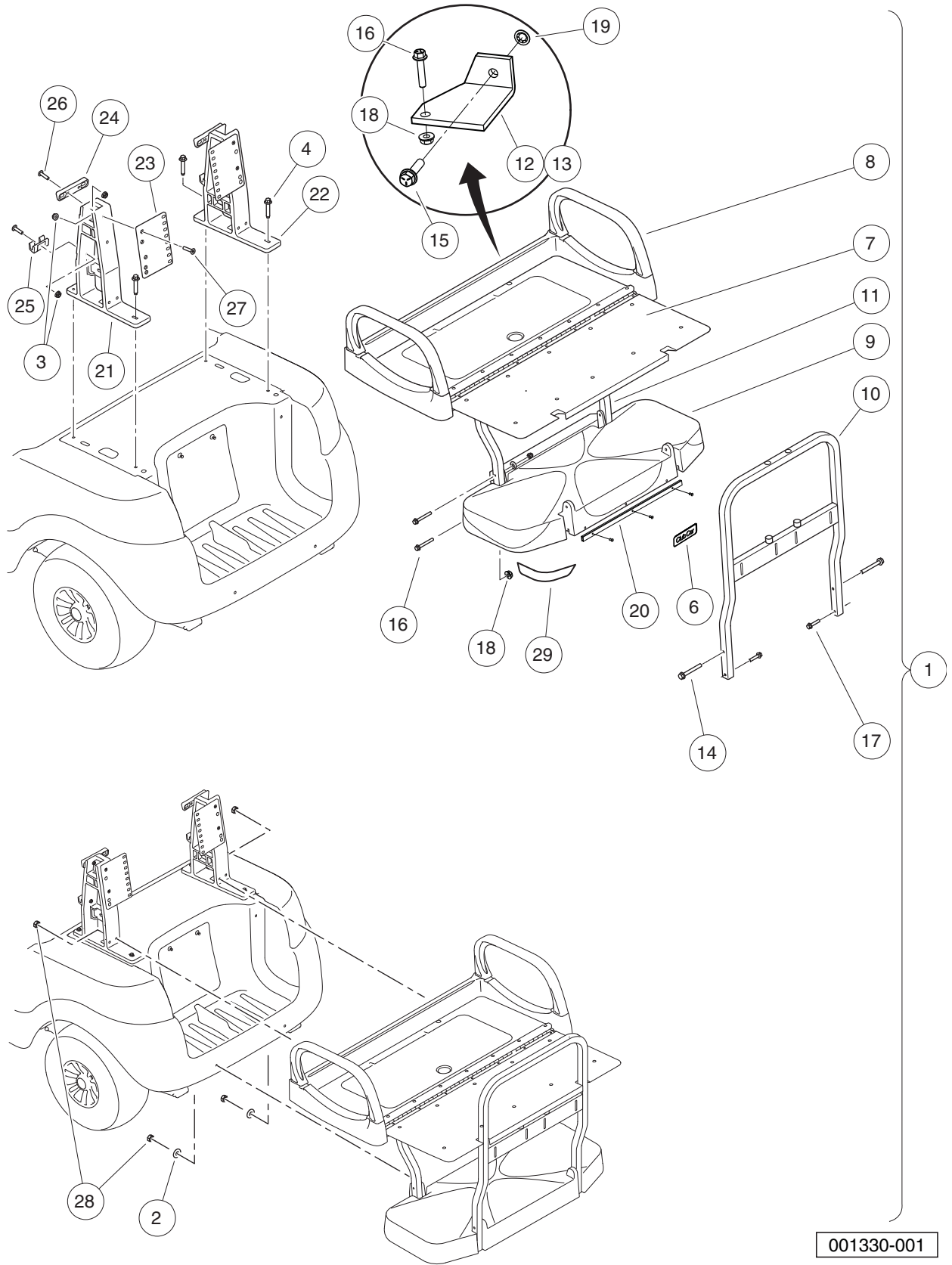
001397-001

FRONT STRUT KIT, FOUR-PASSENGER CANOPY

ITEM	PART NO.	DESCRIPTION	QTY
		1 2 3 4	
1	47592812001	Kit, Front Struts, Prec, 4Pass (includes items 2 through 8)	1
2	102299065	M8-1.25 X 65 Tx Bttn Hd Bolt	4
3	102400002	Cover, Canopy Support, Driver-side, Black	1
4	102400102	Cover, Canopy Support, Passenger-side, Black	1
5	102544201	Screw, M6 Hex	2
6	102581201	Plug, Square - 25.4 mm	2
7	103750001	Strut, Canopy Front, Passenger-side	1
8	103750101	Strut, Canopy Front, Driver-side	1

1
G
E

1
G
E



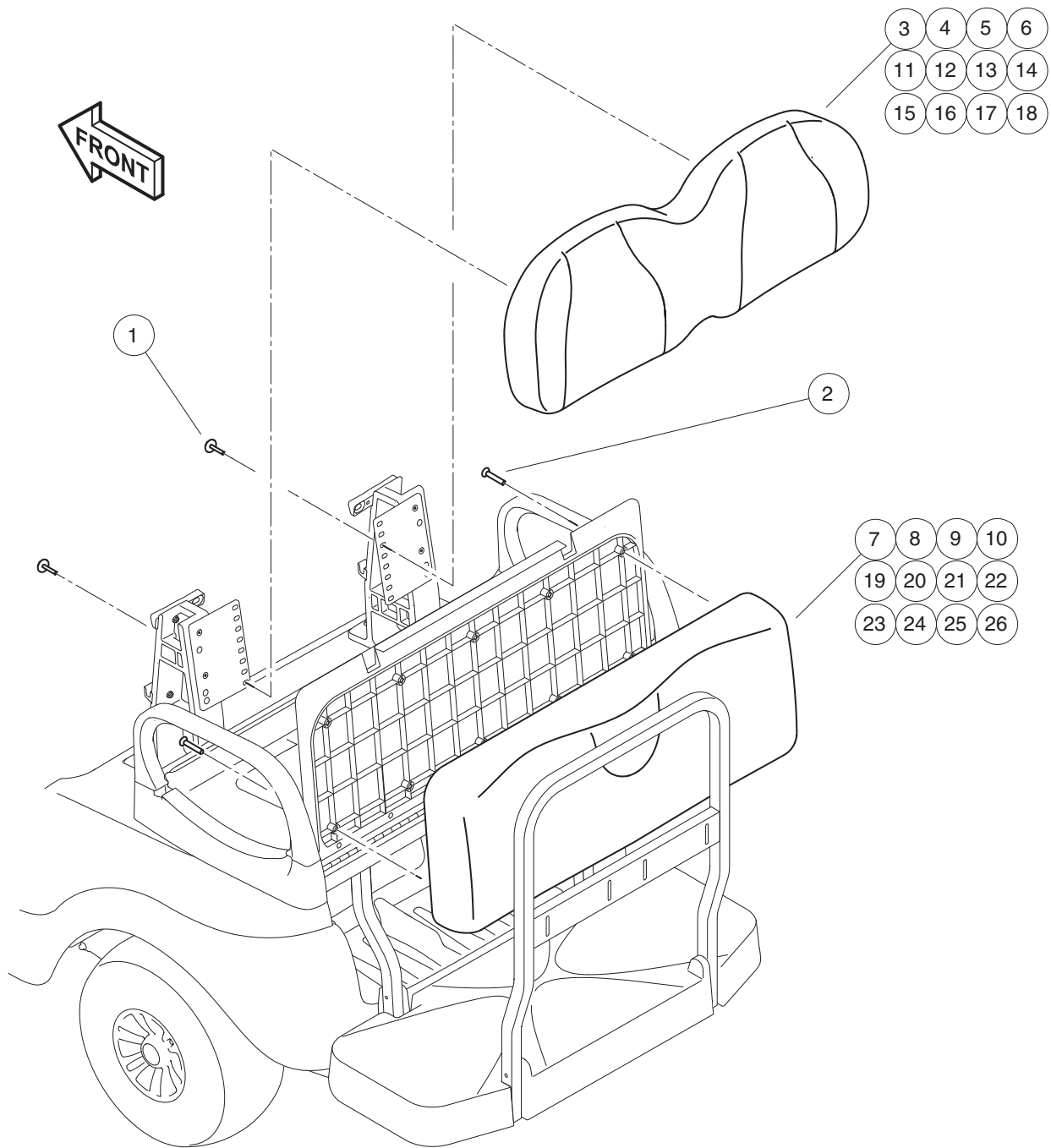
001330-001

REAR-FACING SEAT FRAME AND FOOT DECK – CONSUMER CAR

ITEM	PART NO.	DESCRIPTION	QTY
		1 2 3 4	
1	47592811001	Kit, Folddown, Seatback, 4-Passenger (includes items 2 through 29)	1
2	1011578	Washer, 5/16 Type B Flat	2
3	101835601	Locknut, 1/4-20 Hex Whiz	8
4	102298240	Bolt, Flange Head, M8-1.25 X 40	4
5	N/A	Asm, Fold Down Seatt, Csmr, MX5 (includes items 6 through 20)	1
6	102278802	Decal, Club Car, Silver	1
7	47564782001	Assy, Seat Base, Dmd, Mx5	1
8	47564783001	Arm Rest, Mx5	2
9	47564784001	Assy, Foot Rest, Mx5	1
10	47564785001	Grab Bar, Rear, Mx5	1
11	47564786001	Support, Bumper Mount, MX5	1
12	47564787001	Bracket, Seat Base Mount, Driver-side, MX5	1
13	47564787002	Bracket, Seat Base Mount, Passenger-side, MX5	1
14	47568672001	Bolt,5/16-18x2.5 Hx Flg Zn G8	4
15	47568673001	Bolt,5/16-18x1.25 Hx Flg Zn G5	2
16	47568674001	Bolt,1/4-20x2.0 Hx Flg Zn G5	6
17	47568674002	Bolt,1/4-20x1.25 Hx Flg Zn G5	4
18	47568676001	Nut,1/4-20 Hx Flg Zn Nyloc	10
19	47568677001	Nut, 5/16, Push, Ps	4
20	47581051001	Stiffener, Foot Rest, Mx5	1
21	47563300001	Support, Seat Back, Driver-side, MX5, Csmr	1
22	47563300002	Support, Seat Back, Passenger-side, MX5, Csmr	1
23	47563301001	Bracket, Seat Back, Rear, Csmr	2
24	47563302001	Brkt, St Bk, Frnt, Top, Csmr	2
25	47563303001	Bracket, Seat Back, Front, Bottom, CSMR	2
26	47563304001	Screw, Trshd, 1/4-20x1.00, Lp	4
27	47563305001	Screw, Flthd, 1/4-20x1.25, Lp	4
28	47568675001	Nut,5/16-18 Hx Flg Zn Nyloc	4
29	47578327001	Reflector, Reflex, Red, Mx5	2

1
G
E

1
G
E



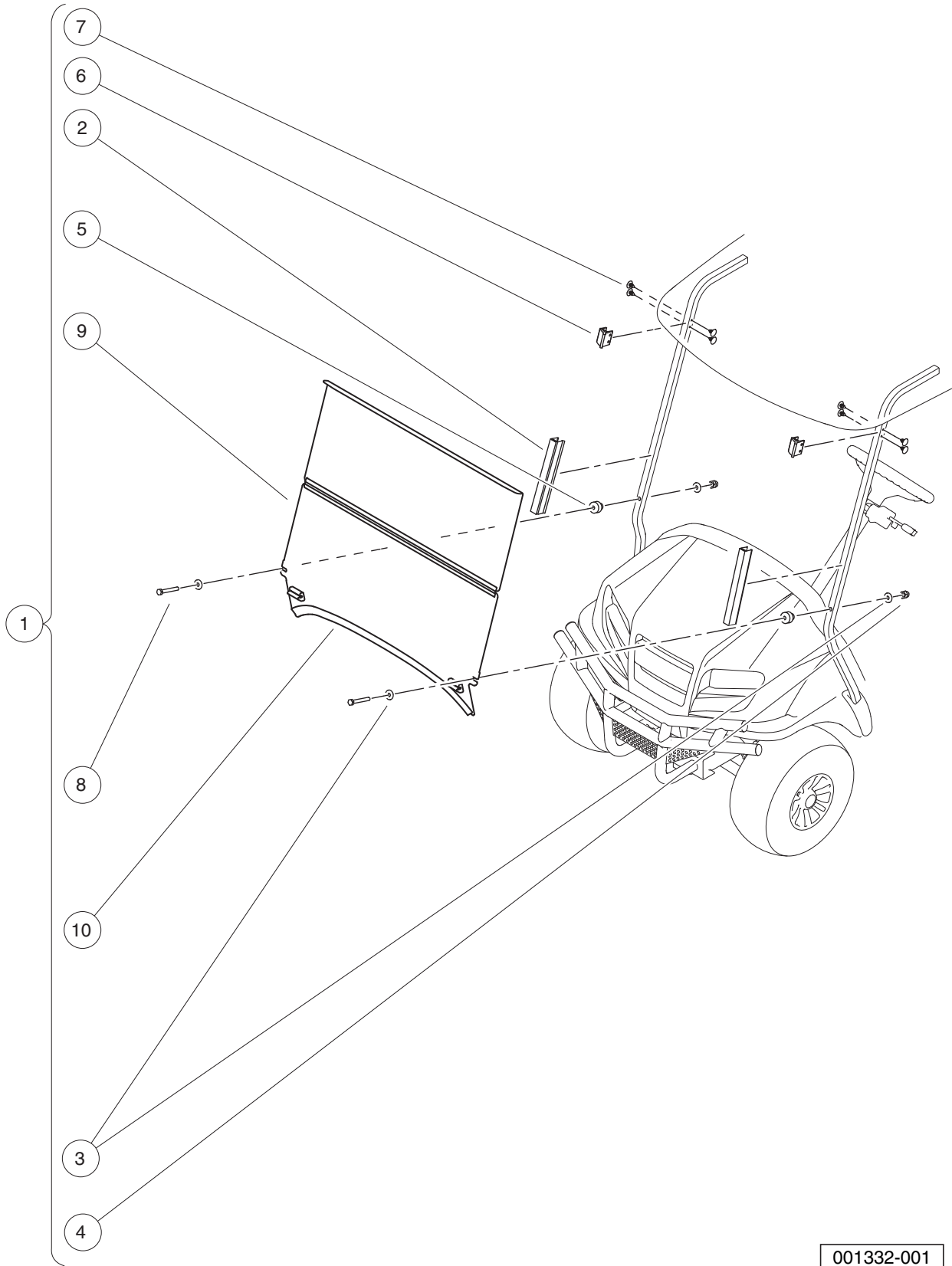
001331-001

REAR-FACING SEAT

ITEM	PART NO.	DESCRIPTION	QTY
		1 2 3 4	
1	47563306001	Screw, M6x1.0x30, Sems, Lp	4
2	47563307001	Screw, Flthd, 1/4-20x1.50, Ss	10
3	47564886021	Asm, Seat Back, Rear, Beige, Service Replacement	1
4	47564886022	Asm, Seat Back, Rear, White, Service Replacement	1
5	47564886024	Asm, Seat Back, Rear, Gray, Service Replacement	1
6	47564886025	Asm, Seat Back, Rear, Black, Service Replacement	1
7	47564887021	Asm, Seat Bottom, Rear, Beige, Service Replacement	1
8	47564887022	Asm, Seat Bottom, Rear, White, Service Replacement	1
9	47564887024	Asm, Seat Bottom, Rear, Gray, Service Replacement	1
10	47564887025	Asm, Seat Bottom, Rear, Black, Service Replacement	1
11	47564888021	Asm, Seat Back, Rear, Lt. Beige, Service Replacement	1
12	47564888022	Asm, Seat Back, Rear, Camello, Service Replacement	1
13	47564888023	Asm, Seat Back, Rear, Off-White, Service Replacement	1
14	47564888024	Asm, Seat Back, Rear, Camello/Lt. Beige, Service Replacement	1
15	47564888025	Asm, Seat Back, Rear, Camello/Off-White, Service Replacement	1
16	47564888026	Asm, Seat Back, Rear, Lt. Beige/Off-White, Service Replacement	1
17	47564888027	Asm, Seat Back, Rear, Black, Service Replacement	1
18	47564888028	Asm, Seat Back, Rear, Black/Gray, Service Replacement	1
19	47564889021	Asm, Seat Bottom, Rear, Lt. Beige, Service Replacement	1
20	47564889022	Asm, Seat Bottom, Rear, Camello, Service Replacement	1
21	47564889023	Asm, Seat Bottom, Rear, Off-White, Service Replacement	1
22	47564889024	Asm, Seat Bottom, Rear, Camello/Lt. Beige, Service Replacement	1
23	47564889025	Asm, Seat Bottom, Rear, Camello/Off-White, Service Replacement	1
24	47564889026	Asm, Seat Bottom, Rear, Lt. Beige/Off-White, Service Replacement	1
25	47564889027	Asm, Seat Bottom, Rear, Black, Service Replacement	1
26	47564889028	Asm, Seat Bottom, Rear, Black/Gray, Service Replacement	1

1
G
E

1
G
E



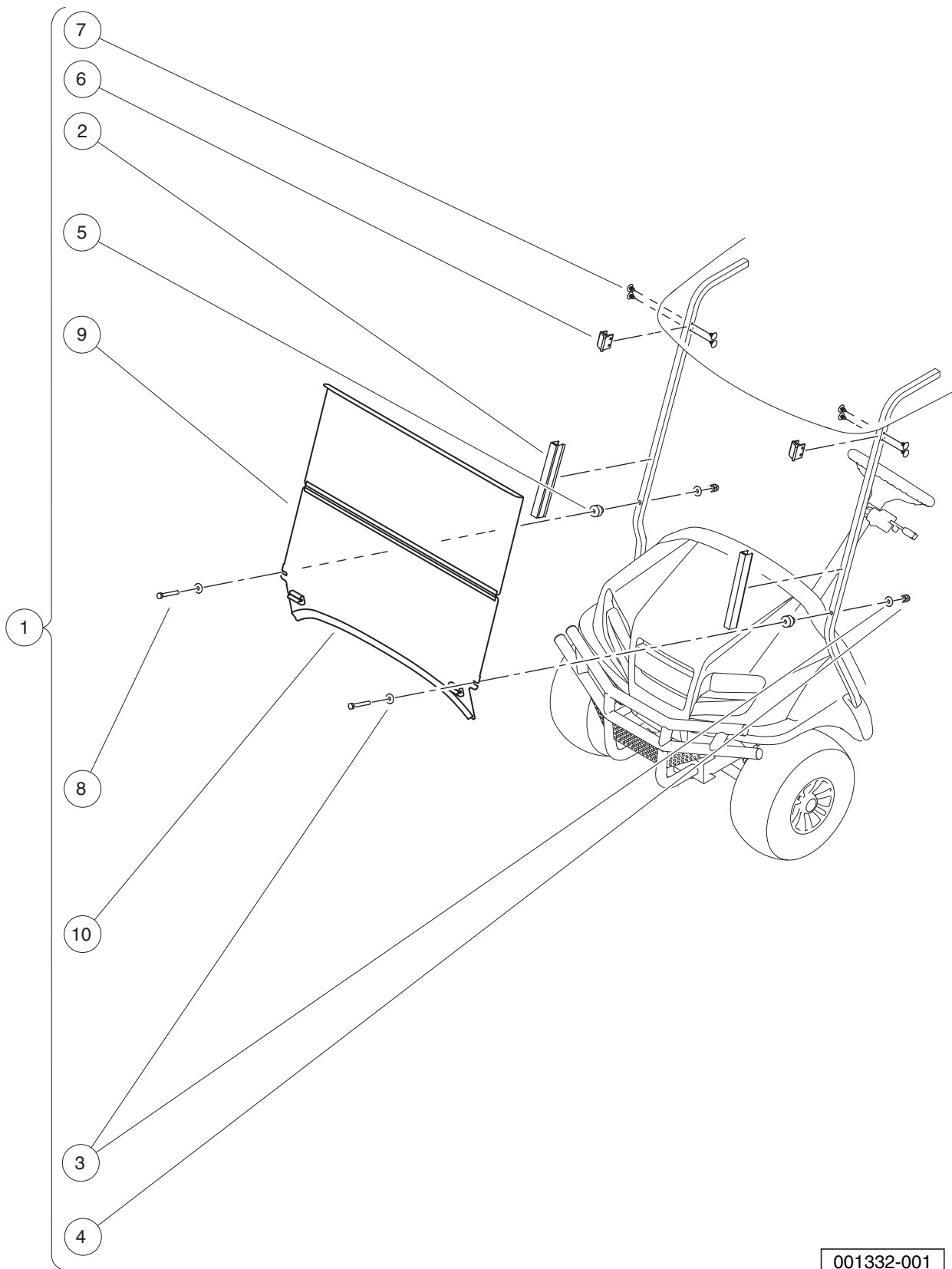
001332-001

HINGED WINDSHIELD, CLEAR

ITEM	PART NO.	DESCRIPTION	QTY
		1 2 3 4	
1	47576798001	Kit, Std Hinged W/s, Csmr (includes items 2 through 9)	1
2	102163001	Windshield Channel	2
3	102296301	Washer, M6x18x1.6 Flat	4
4	102582401	Cap Nut M6, Sp	2
5	102947601	Grommet, Windshield	2
6	103677101	W/s, Rubber, Clip Retainer	2
7	103754901	Fastener, Barrel - .610 X .25	8
8	105289701	M6x1.0x48 Hex Hd Bolt-blk	2
9	47576797001	Asm Hinged/windshield Consumer (includes item 10)	1
10	47576796001	Bulb Seal, Windshield	1

1
G
E

1
G
E



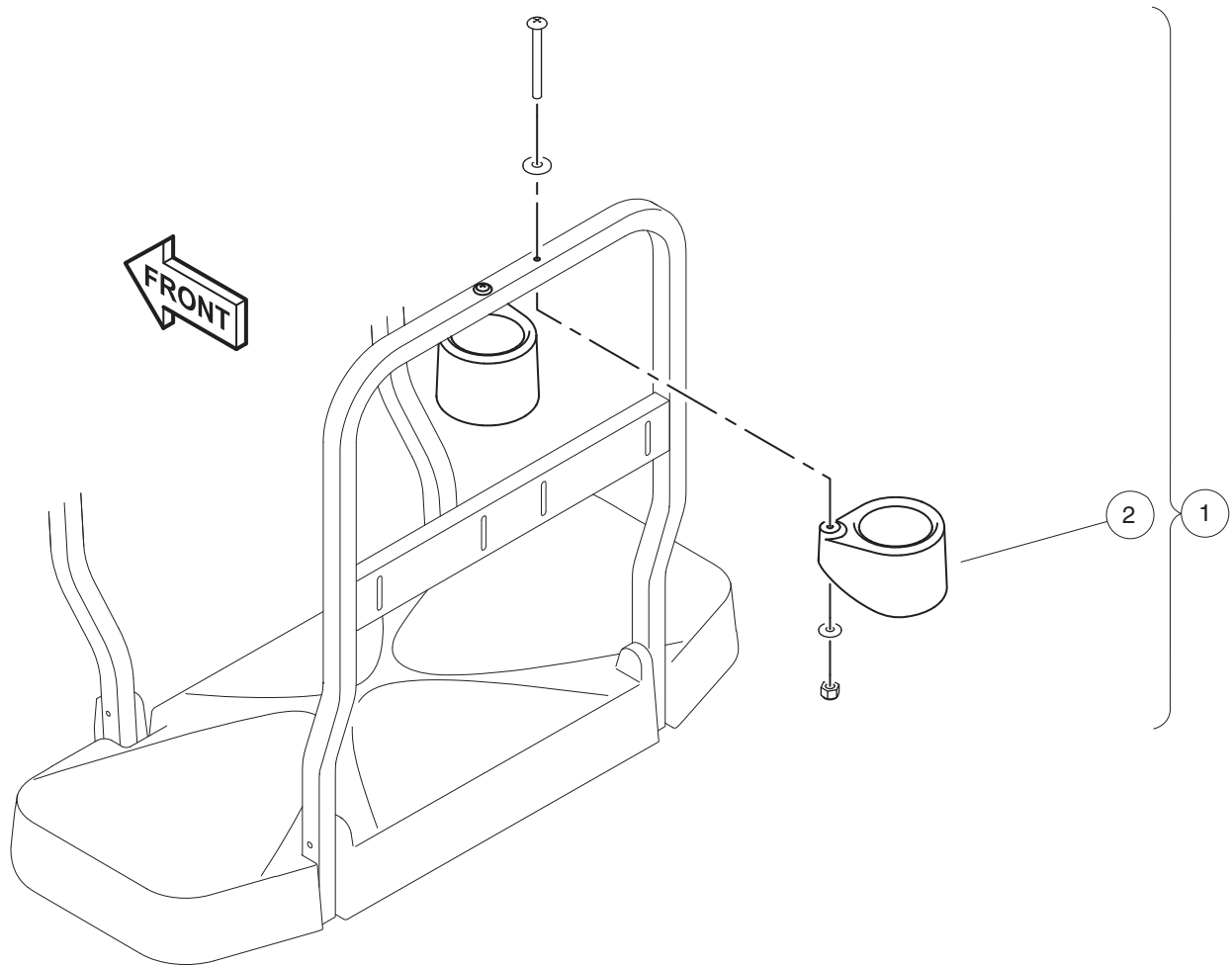
001332-001

HINGED WINDSHIELD, TINTED

ITEM	PART NO.	DESCRIPTION	QTY
		1 2 3 4	
1	47579760001	Kit, Hinged W/s Tinted, Cnsmr (includes items 2 through 9)	1
2	102163001	Windshield Channel	2
3	102296301	Washer, M6x18x1.6 Flat	4
4	102582401	Cap Nut M6, Sp	2
5	102947601	Grommet, Windshield	2
6	103677101	W/s, Rubber, Clip Retainer	2
7	103754901	Fastener, Barrel - .610 X .25	8
8	105289701	M6x1.0x48 Hex Hd Bolt-blk	2
9	47579759001	Asm Hinged/ws Tinted Cnsmr (includes item 10)	1
10	47576796001	Bulb Seal, Windshield	1

1
G
E

1
G
E



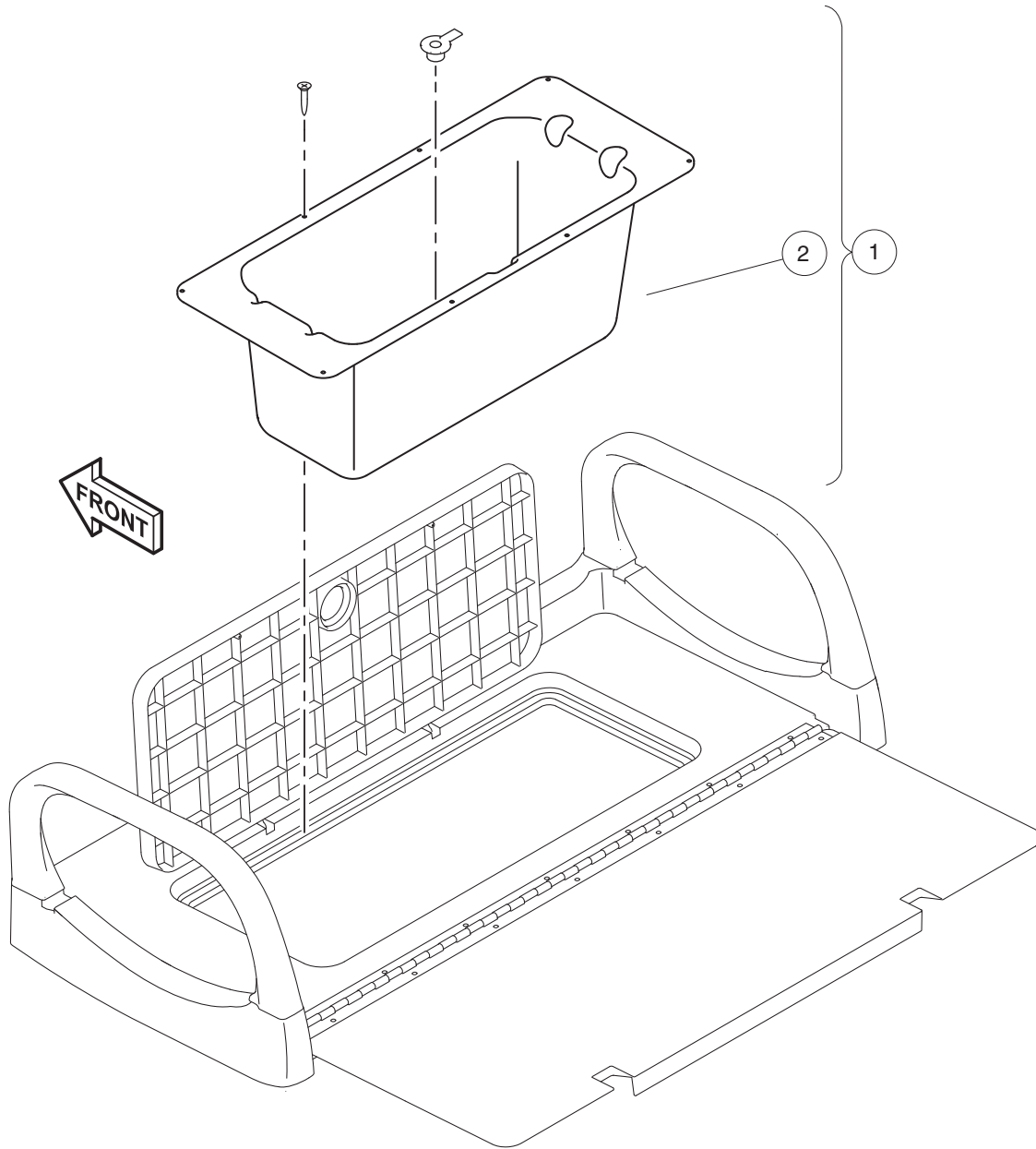
001333-001

BEVERAGE HOLDER

ITEM	PART NO.	DESCRIPTION	QTY
1	47579985001	1 2 3 4 Kit, Holder, Beverage, Mx5 (includes item 2)	1
2	47582270001	Assy, Holder, Beverage, Mx5	2

1
G
E

1
G
E



001334-001

BUCKET STORAGE

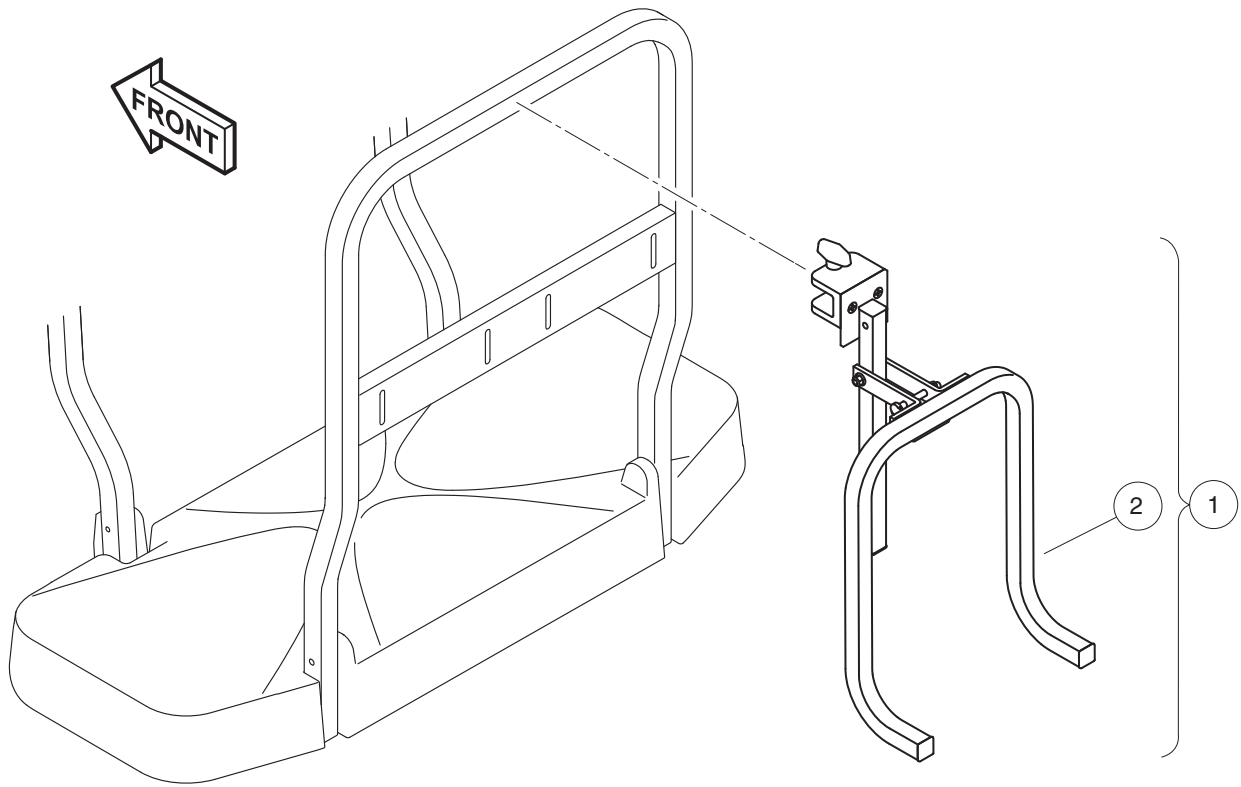
ITEM	PART NO.	DESCRIPTION	QTY
		1 2 3 4	
1	47579986001	Kit, Bucket, Storage, Mx5 (includes item 2)	1
2	47582271001	Assy, Bucket, Storage, Mx5	1

1

G

E

1
G
E



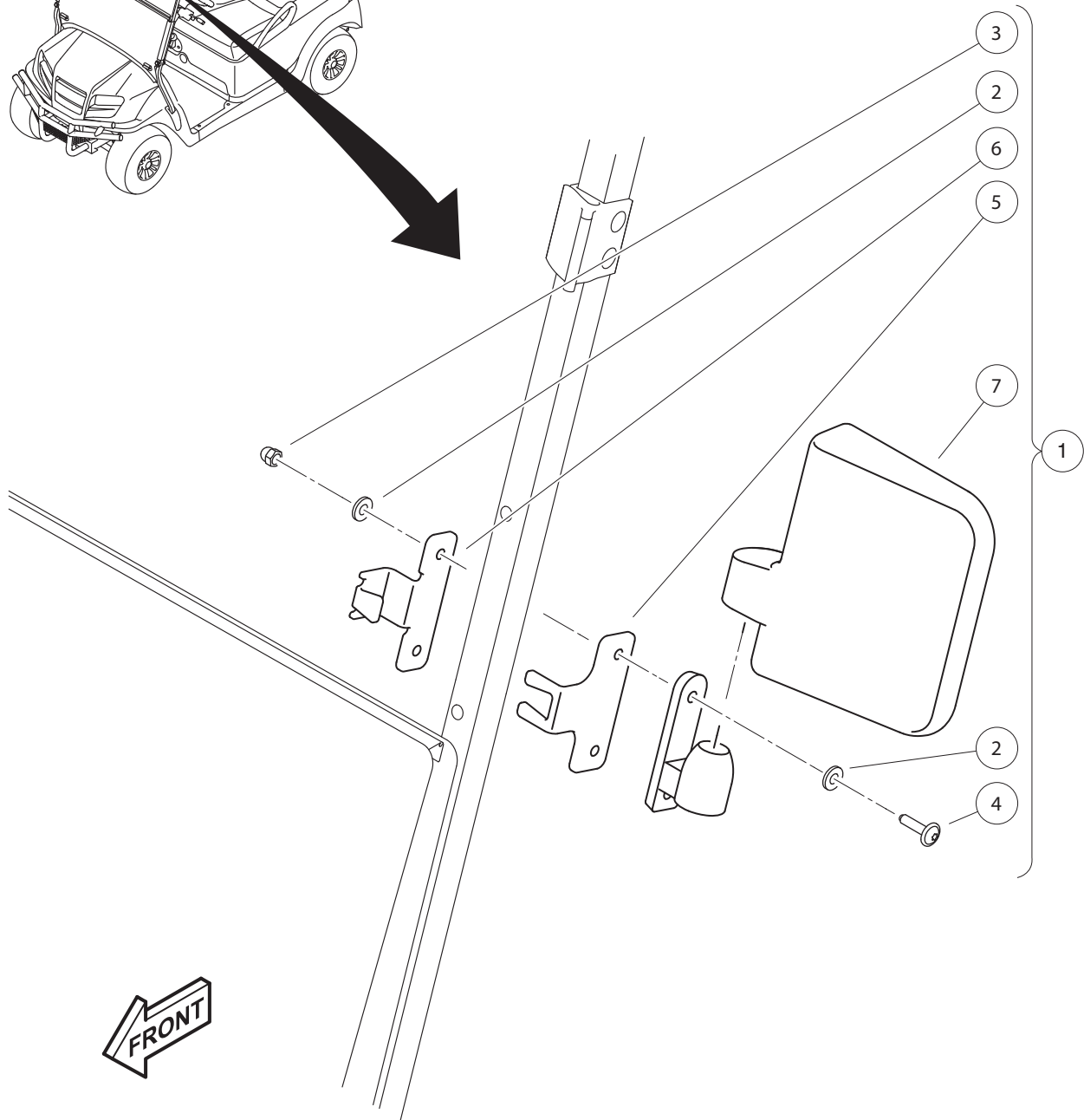
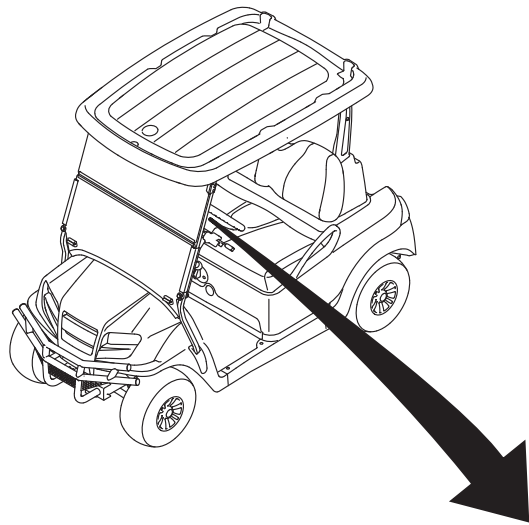
001335-001

CHAIR HOLDER

ITEM	PART NO.	DESCRIPTION	QTY
1	47570465001	1 2 3 4 Kit, Holder, Chair, Mx5 (includes item 2)	1
2	N/A	Assy, Holder, Chair, Mx5	1

1
G
E

1
G
E



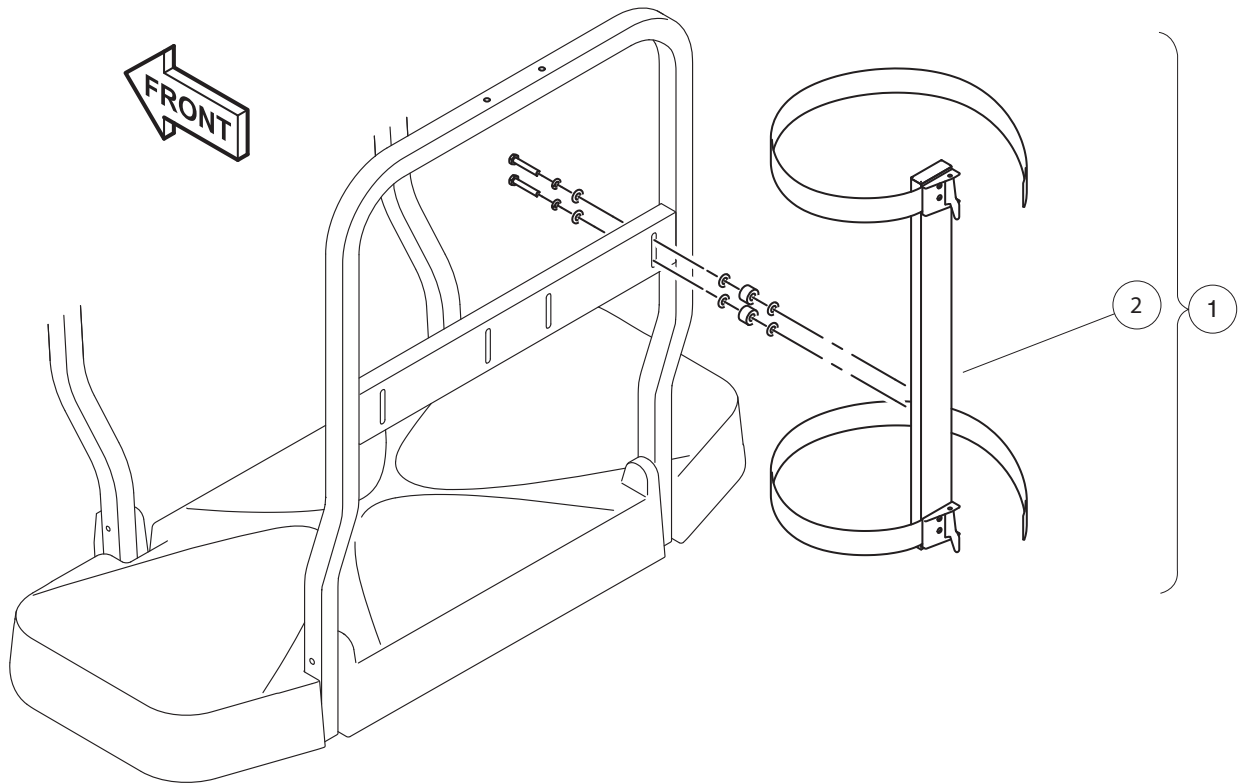
001336-001

MIRRORS, SIDE

ITEM	PART NO.	DESCRIPTION	QTY
		1 2 3 4	
1	47577558001	Kit, Side Mirrors, Csmr (includes items 2 through 7)	1
2	102324901	Washer, Flat, 1/4", Blk	8
3	102582401	Cap Nut M6, Sp	4
4	47577554001	Screw, M6, Torx T30 Recess	4
5	47577555001	Mirror Bracket, Mnt, Outer	2
6	47577556001	Mirror Bracket, Mnt, Inner	2
7	47577557001	Asm Side Mirrors, Res	1

1
G
E

1
G
E



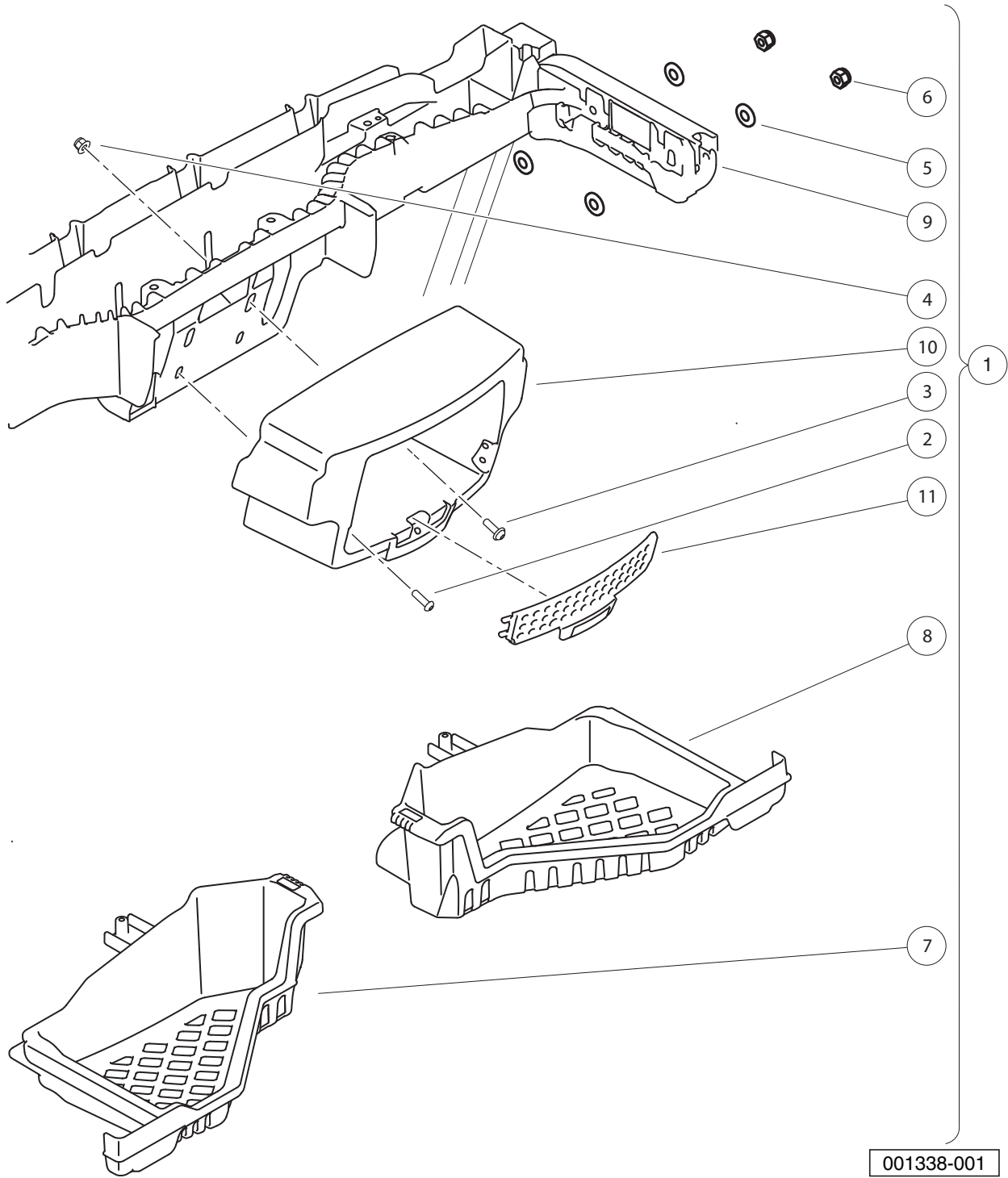
001337-001

GOLF BAG HOLDER

ITEM	PART NO.	DESCRIPTION	QTY
1	47570463001	1 2 3 4 Kit, Holder, Golf Bag, Mx5 (includes item 2)	1
2	47582268001	Assy, Holder, Golf Bag, Mx5	1

1
G
E

1
G
E



OVERHEAD STORAGE

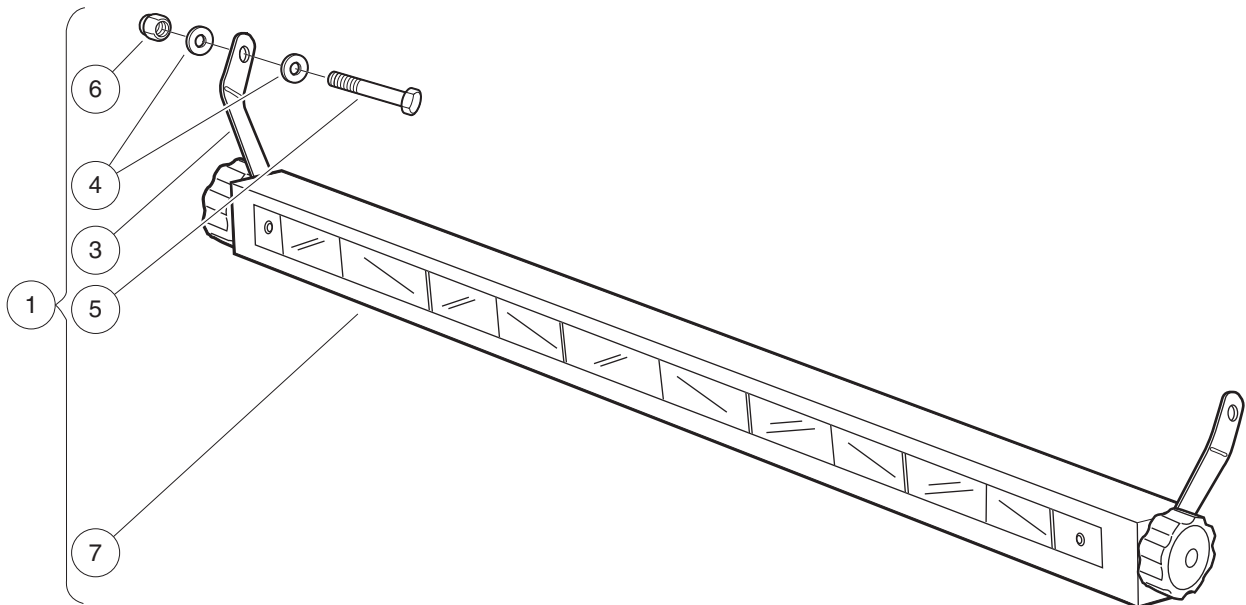
ITEM	PART NO.	DESCRIPTION	QTY
		1 2 3 4	
1	47582822001	Kit, Ovh Storage System (includes items 2 through 11)	1
2	102296150	Bolt - M6x1.0x50 Hex Flng Hd	4
3	102296920	Screw, M6, Torx Button Head, Sems	2
4	102621501	Nut, Flange, M6 X 1.0, Nylon	2
5	103196001	Washer, Conical Spring, Canopy	8
6	103200301	Nut, M6 x 1.00	4
7	47559264001	Basket, Overhead, Driver-side	1
8	47559264002	Basket, Overhead, Passenger-side	1
9	47559265002	Support, Display Unit, Bt	1
10	47581131001	Storage Unit, Center, Csmr	1
11	47581132001	Closeout, Plastic, Perforated	1

1
G
E

1

G

E



000720-005

MIRROR, 5-PANEL

ITEM	PART NO.	DESCRIPTION	QTY
		1 2 3 4	
1	AM15028001	Kit, Mirror 5 Panel, Csmr Pack (includes item 2)	1
2	105288901	Mirror Kit, Wink (includes items 3 through 7)	1
3	105313801	Brkt, Mirror, 5 Panel, Mtg	2
4	332	Washer, 1/4 Type A Narrow Flat	8
5	7311	Screw, 1/4-20 X 2.00 Hex-Head Cap	2
6	8233	Locknut, 1/4-20, Nylon Insert	2
7	AM10092	ICS 5-Panel Mirror	1

1
G
E

1

G

E

WHEELS AND TIRES

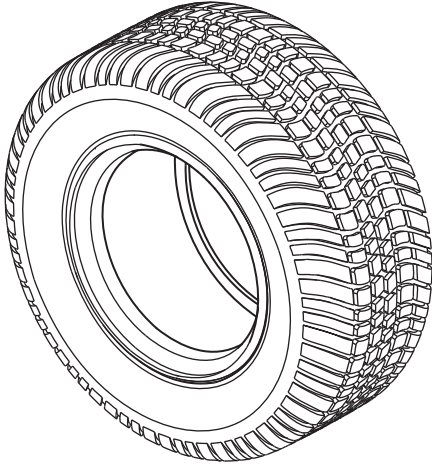
2

G

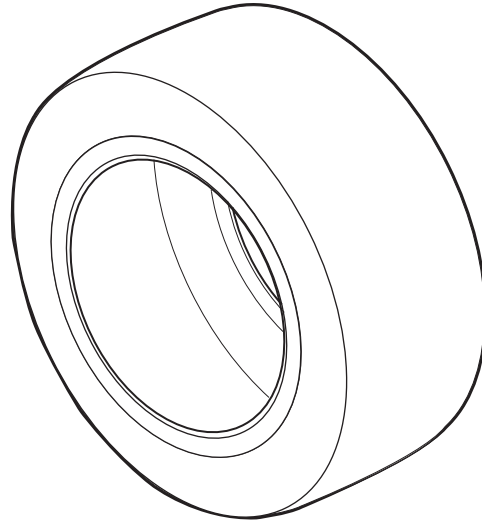
E



K3001
Kraken



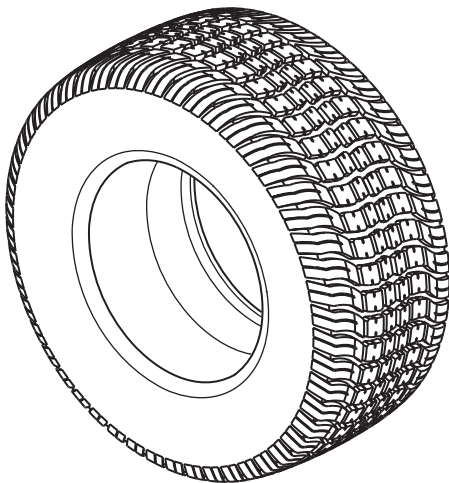
1



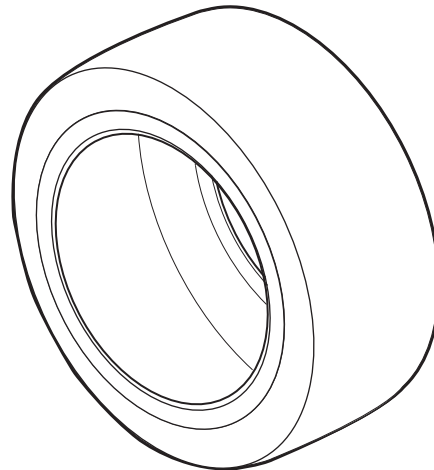
2 3 4



Street
Viper



5



6

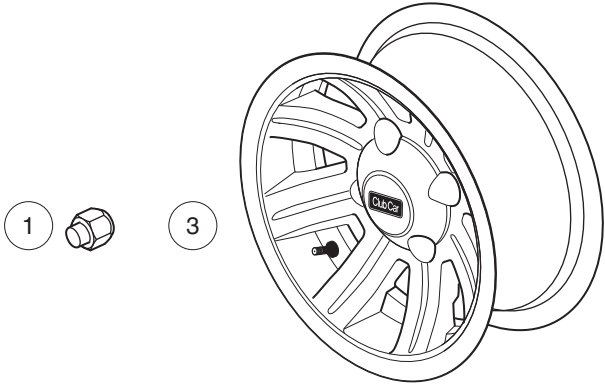
001344-001

TIRES – ONWARD

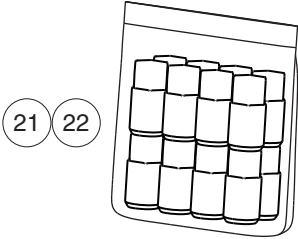
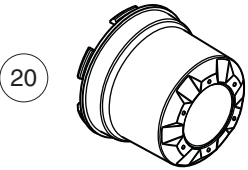
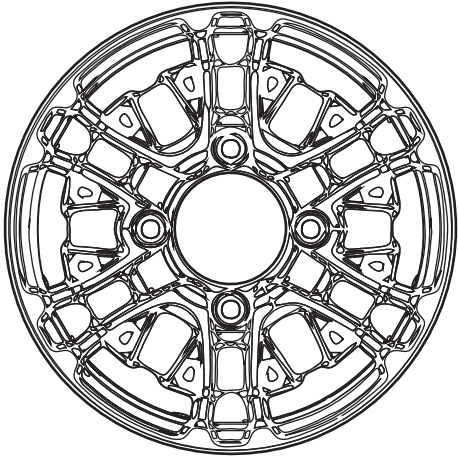
ITEM	PART NO.	DESCRIPTION	QTY
		1 2 3 4	
1	102556701	Tire, Pro Tour, 205-50 X 10	A/R
2	47561633001	Tire, 22x10-10 Kraken	A/R
3	47561634001	Tire, 23x10-12 Kraken	A/R
4	47561635001	Tire, 23x10-14 Kraken	A/R
5	47561636001	Tire, 205/55-10 Loadstar	A/R
6	47561637001	Tire, 215/40-12 Street Viper	A/R

2
G
E

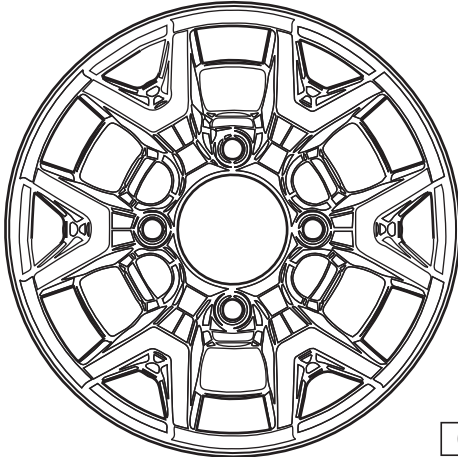
2
G
E



- 4
- 5
- 6
- 7
- 8
- 9
- 10
- 11
- 12



- 13
- 14
- 15
- 16
- 17
- 18
- 19



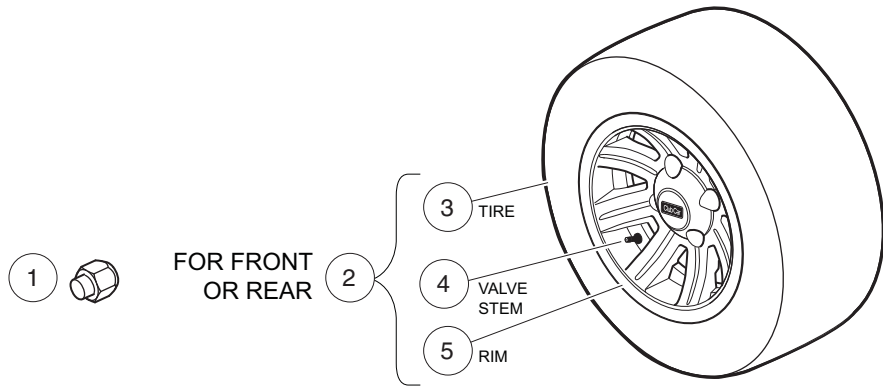
001342-001

WHEELS – ONWARD

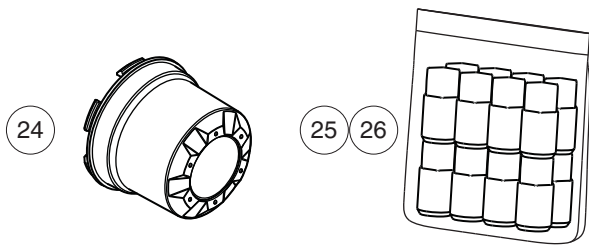
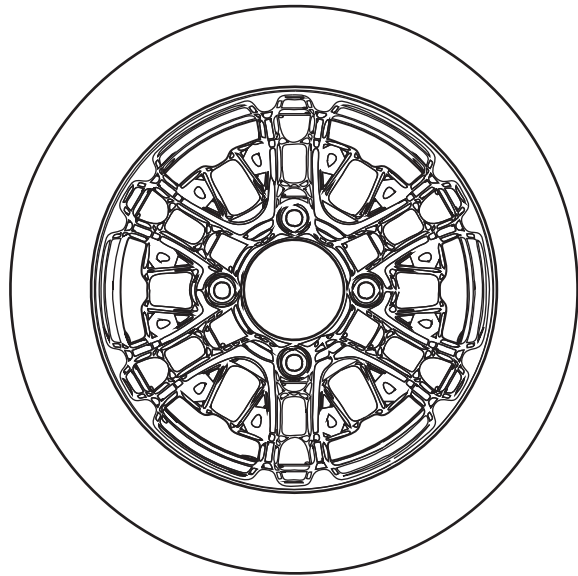
ITEM	PART NO.	DESCRIPTION	QTY
		1 2 3 4	
1	102540701	Lug Nut, 1/2" Closed End	A/R
2	103832401	Valve Stem With Cap, Chrome	A/R
3	103934901	Wheel, Aluminum 10x6, 8 Spoke	A/R
4	47561638001	Wheel, Mercury, 10", Gloss Blk	A/R
5	47561638002	Wheel, Mercury, 10", Matte Blk	A/R
6	N/A	Wheel, Mercury, 10", Gunmetal	A/R
7	47561639001	Wheel, Mercury, 12", Gloss Blk	A/R
8	47561639002	Wheel, Mercury, 12", Matte Blk	A/R
9	N/A	Wheel, Mercury, 12", Gunmetal	A/R
10	47561640001	Wheel, Mercury, 14", Gloss Blk	A/R
11	47561640002	Wheel, Mercury, 14", Matte Blk	A/R
12	N/A	Wheel, Mercury, 14", Gunmetal	A/R
13	47561641001	Wheel, Atlas, 10", Gloss Blk	A/R
14	47561642001	Wheel, Atlas, 12", Gloss Blk	A/R
15	47561642002	Wheel, Atlas, 12", Matte Blk	A/R
16	N/A	Wheel, Atlas, 12", Gunmetal	A/R
17	47561643001	Wheel, Atlas, 14", Gloss Blk	A/R
18	47561643002	Wheel, Atlas, 14", Matte Blk	A/R
19	N/A	Wheel, Atlas, 14", Gunmetal	A/R
20	47562949001	Cap, Center, Chrome	A/R
21	N/A	Kit, Lugnut, Csmr, Lifted (includes item 22)	A/R
22	47562951001	Nut, Lug, 17x1/2-20, Chrome	16

2
G
E

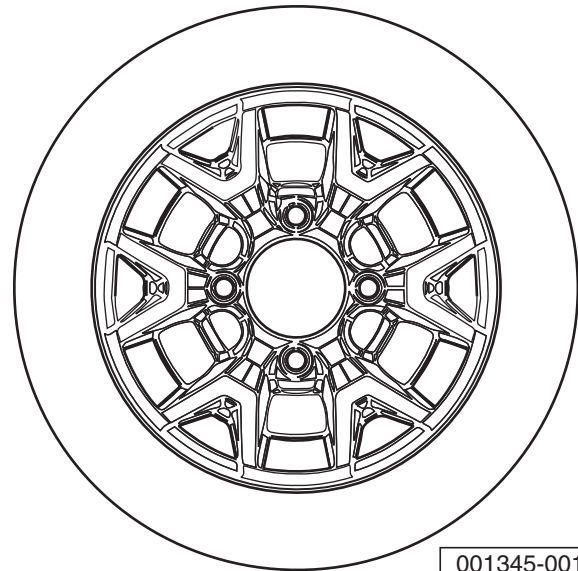
2
G
E



- For Driver Side and Passenger Side 6 7 8
- For Driver Side Only 12 13 14
- For Passenger Side Only 15 16 17



- For Driver Side and Passenger Side 9 10 11
- For Driver Side Only 18 19 20
- For Passenger Side Only 21 22 23



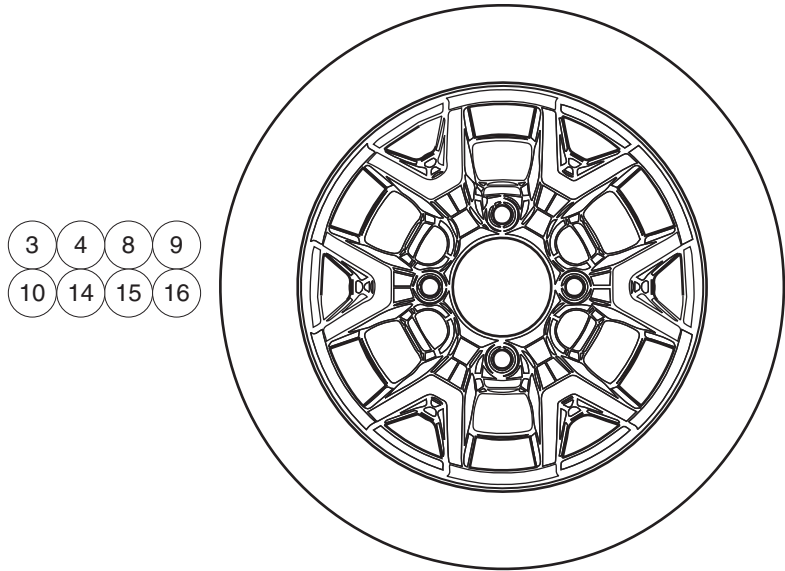
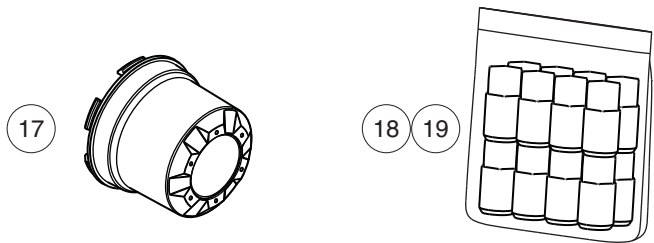
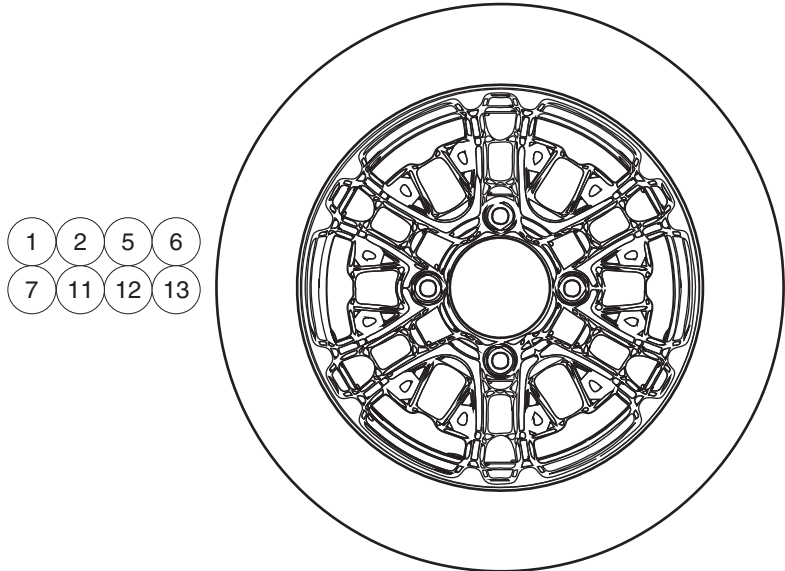
001345-001

WHEEL AND TIRE ASSEMBLIES – ONWARD, STANDARD HEIGHT

ITEM	PART NO.	DESCRIPTION	QTY
		1 2 3 4	
1	102540701	Lug Nut, 1/2" Closed End	16
2	103935001	Tire and Wheel, 10", 8 Spoke, Alum. (includes items 3 through 5)	4
3	102556701	Tire, Pro Tour, 205-50 X 10	1
4	103832401	Valve Stem With Cap, Chrome	1
5	103934901	Wheel, Aluminum 10x6, 8 Spoke	1
6	47561646001	Asm, 205/55-10, Loadstar, Mercury 10" Gloss Black	4
7	47561646002	Asm, 205/55-10, Ls, Mer10mb	4
8	N/A	Asm, 205/55-10, Ls, Mer10gm	4
9	47561647001	Asm, 205/55-10, Loadstar, Atlas 10" Gloss Black	4
10	47561647002	Asm, 205/55-10, Ls, Atl10mb	4
11	N/A	Asm, 205/55-10, Ls, Atl10gm	4
12	47561650001	Asm, 215/40-12 Street Viper, Mercury 12" Gloss Black, Driver-Side	2
13	47561650002	Asm, 215/40-12 Sv, Mer12mb, Ds	2
14	N/A	Asm, 215/40-12 Sv, Mer12gm, Ds	2
15	47561651001	Asm, 215/40-12 Street Viper, Mercury 12" Gloss Black, Passenger-Side	2
16	47561651002	Asm, 215/40-12 Sv, Mer12mb, Ps	2
17	N/A	Asm, 215/40-12 Sv, Mer12gm, Ps	2
18	47561652001	Asm, 215/40-12 Street Viper, Atlas 12" Gloss Black, Driver-Side	2
19	47561652002	Asm, 215/40-12 Sv, Atl12mb, Ds	2
20	N/A	Asm, 215/40-12 Sv, Atl12gm, Ds	2
21	47561653001	Asm, 215/40-12 Street Viper, Atlas 12" Gloss Black, Passenger-Side	2
22	47561653002	Asm, 215/40-12 Sv, Atl12mb Ps	2
23	N/A	Asm, 215/40-12 Sv, Atl12gm Ps	2
24	47562949001	Cap, Center, Chrome	4
25	N/A	Kit, Lugnut, Csmr, Lifted (includes item 26)	1
26	47562951001	Nut, Lug, 17x1/2-20, Chrome	16

2
G
E

2
G
E



001346-001

WHEEL AND TIRE ASSEMBLIES – ONWARD, LIFTED

ITEM	PART NO.	DESCRIPTION	QTY
		1 2 3 4	
1	47561644001	Asm, 22x10-10 Kraken, Mercury 10" Gloss Black	4
2	47561644002	Asm, 22x10-10 Krkn, Mer10mb	4
3	47561645001	Asm, 22x10-10 Kraken, Atlas 10" Gloss Black	4
4	47561645002	Asm, 22x10-10 Krkn, Atl10mb	4
5	47561648001	Asm, 23x10-12 Krkn, Mer12gb	4
6	47561648002	Asm, 23x10-12 Krkn, Mer12mb	4
7	N/A	Asm, 23x10-12 Krkn, Mer12gm	4
8	47561649001	Asm, 23x10-12 Krkn, Atl12gb	4
9	47561649002	Asm, 23x10-12 Krkn, Atl12mb	4
10	N/A	Asm, 23x10-12 Krkn, Atl12gm	4
11	47562947001	Asm, 23x10-14 Kraken, Mercury 14" Gloss Black	4
12	47562947002	Asm, 23x10-14 Kraken, Mercury 14" Matte Black	4
13	N/A	Asm, 23x10-14 Kraken, Mercury 14" Gunmetal	4
14	47562948001	Asm, 23x10-14 Kraken, Atlas 14" Gloss Black	4
15	47562948002	Asm, 23x10-14 Kraken, Atlas 14" Matte Black	4
16	N/A	Asm, 23x10-14 Kraken, Atlas 14" Gunmetal	4
17	47562949001	Cap, Center, Chrome	4
18	N/A	Kit, Lugnut, Csmr, Lifted (includes item 19)	1
19	47562951001	Nut, Lug, 17x1/2-20, Chrome	16

2
G
E

2

G

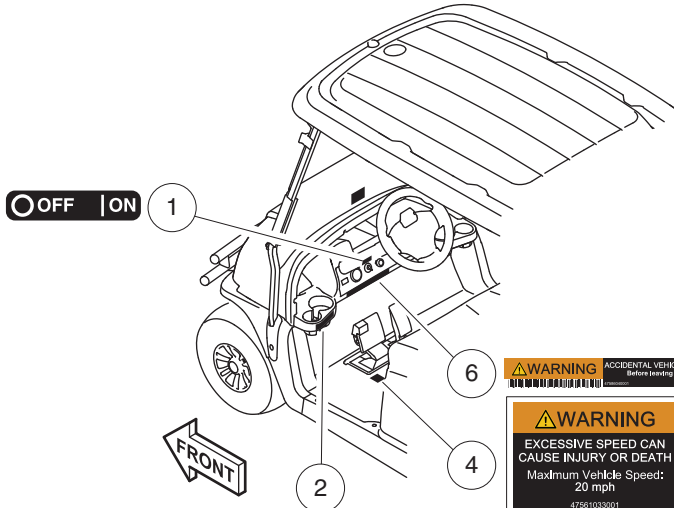
E

DECALS

3

G

E



IMPORTANT NOTICE

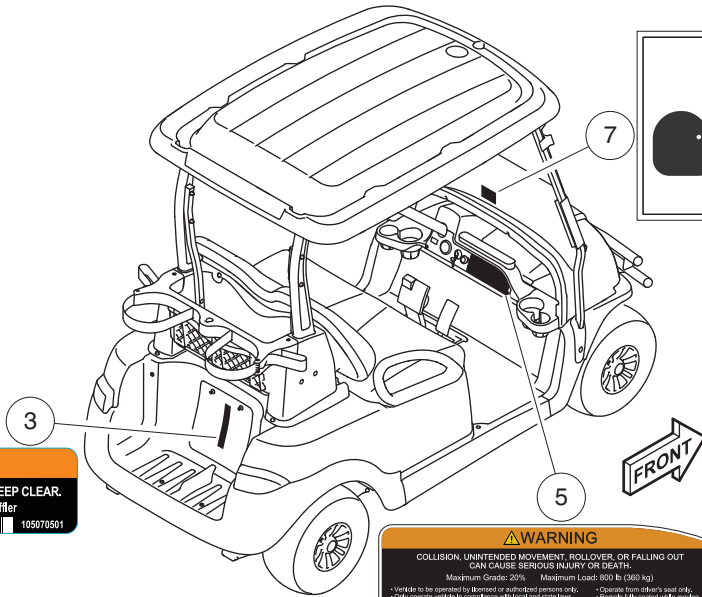
This vehicle does not conform to ANSI Z130.1 - "Standard for Golf Cars - Safety and Performance Requirements" because it is capable of speeds in excess of 15 miles per hour. Exercise caution.

CCI 102555901

WARNING ACCIDENTAL VEHICLE MOVEMENT HAZARD. MAY CAUSE SERIOUS INJURY OR DEATH. Before leaving the vehicle: Engage the park brake. Set the Hill Vehicle to NEUTRAL. Turn the key to OFF and remove the key.

WARNING EXCESSIVE SPEED CAN CAUSE INJURY OR DEATH. Maximum Vehicle Speed: 20 mph

47592393001



WARNING CAN CAUSE SERIOUS INJURY. KEEP CLEAR. Rotating parts. HOT muffler. 105070501

WARNING Windshield does not provide protection from golf balls or other flying objects. 47592393001

WARNING COLLISION, UNINTENDED MOVEMENT, ROLLOVER, OR FALLING OUT CAN CAUSE SERIOUS INJURY OR DEATH.

Maximum Grade: 20% Maximum Load: 600 lbs (268 kg)

- Vehicle to be operated by licensed or authorized personnel only.
- Only operate vehicle in compliance with local and state laws.
- Use Caution when operating vehicle in the presence of lighter colored vehicles in congested areas, or on unpaved surfaces.
- Do not operate the vehicle in the manner that impedes traffic.
- Do not use the lift and all accessories are fully seated.
- Two (2) persons per bench seat maximum.
- Operate from driver's seat only.
- Remain fully seated until the motor stops.
- Do not leave children unattended at any time.
- Drive slowly in turns and at all other times.
- Hold on and keep your feet firmly on the vehicle with moving.
- Never operate vehicle under the influence of alcohol or drugs or when distracted.

47592393001

001347-001

DECALS – ELECTRIC AND GASOLINE VEHICLES

ITEM	PART NO.	DESCRIPTION	QTY
		1 2 3 4	
1	101825101	Decal, Off/On	1
2	102555901	Decal, Private Speed	1
3	105070501	Decal, Gas, Rotating Parts/Hot Muffler	1
4	47561033001	Decal, Warning, Speed	1
5	47574958001	Decal, Warning	1
6	47586040001	Decal, Warn	1
7	47592393001	Decal, Warn, Windshield	1

3
G
E

WARNING

BATTERY EXPLOSION COULD RESULT IN SEVERE PERSONAL INJURY

- Place Run/Tow switch in TOW position before performing any of the following:
 - Disconnecting or connecting battery cables
 - Towing this vehicle
 - Extended storage
 - Servicing the vehicle
- Do not store items in battery compartment.
- Keep electronic components dry.
- Do not operate vehicle without this plate properly installed.
- See vehicle service manual before servicing.

RUN

TOW

CCI 103384801

WARNING

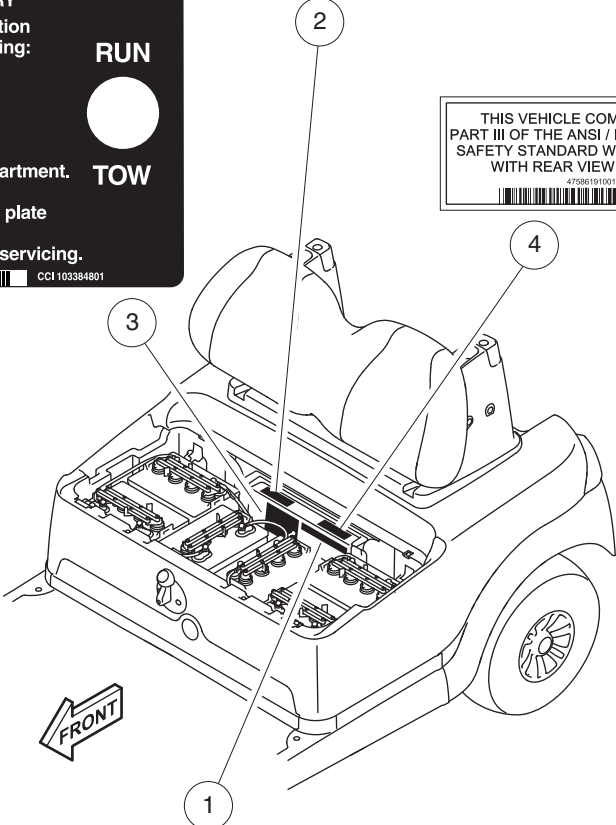
SHORTING OF BATTERY TERMINALS CAN CAUSE PERSONAL INJURY OR DEATH.

- When removing component mounting plate, do not place plate directly on top of batteries.

103384701

THIS VEHICLE COMPLIES WITH PART III OF THE ANSI / ILTVA Z135 - PTV SAFETY STANDARD WHEN EQUIPPED WITH REAR VIEW MIRRORS.

42586191001



CAUTION EXPOSURE TO WATER MAY DAMAGE ELECTRONIC COMPONENTS

- Do not direct water stream in the area of this plate.
- See vehicle service manual before servicing.

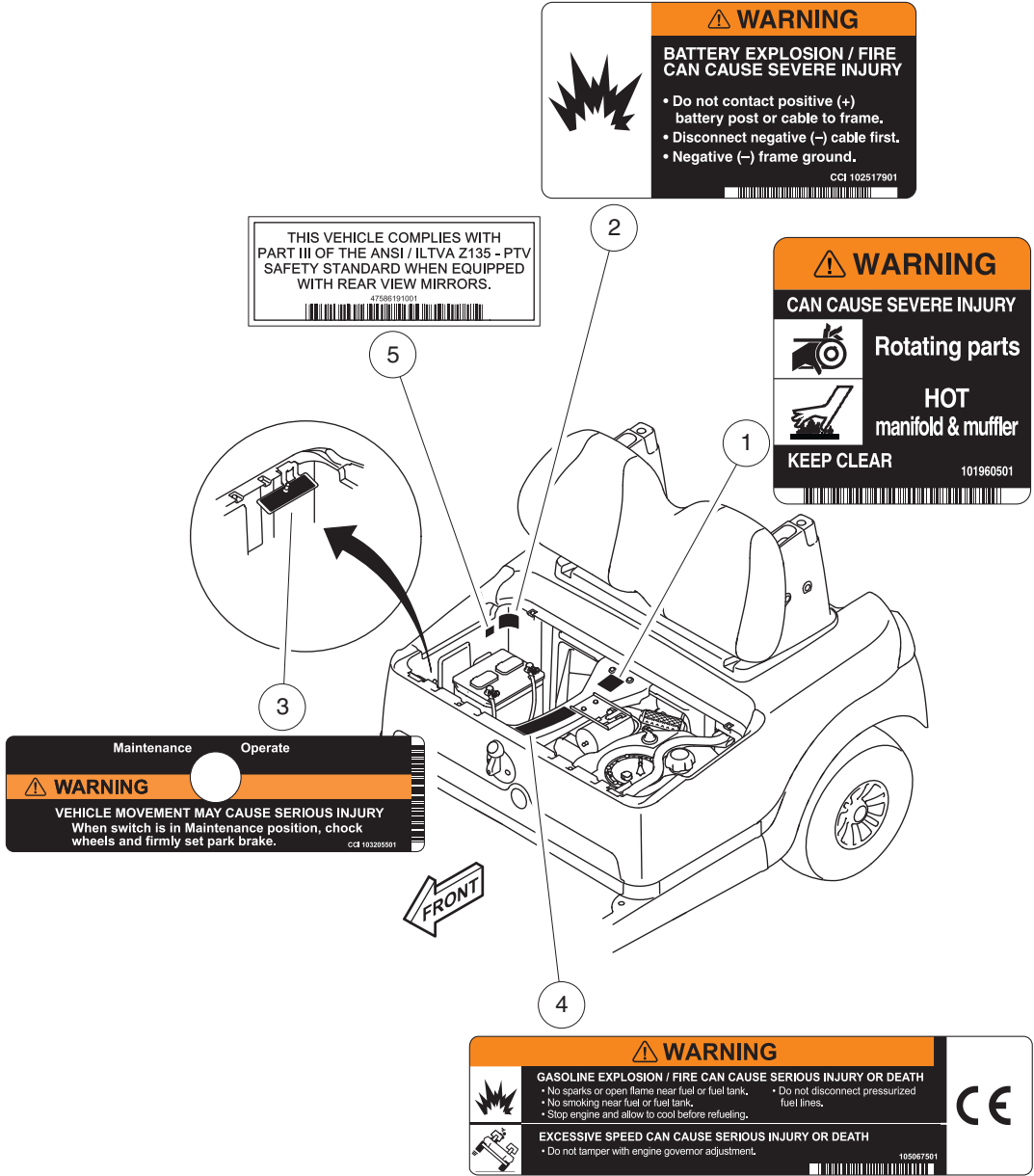
CCI 103384601

001356-001

DECALS – ELECTRIC VEHICLE ONLY

ITEM	PART NO.	DESCRIPTION	QTY
		1 2 3 4	
1	103384601	Decal-water Exposure	1
2	103384701	Decal-warning, Short	1
3	103384801	Decal, Warning, RUN/TOW	1
4	47586191001	Decal, Compliance, Mirrors	1

3
G
E



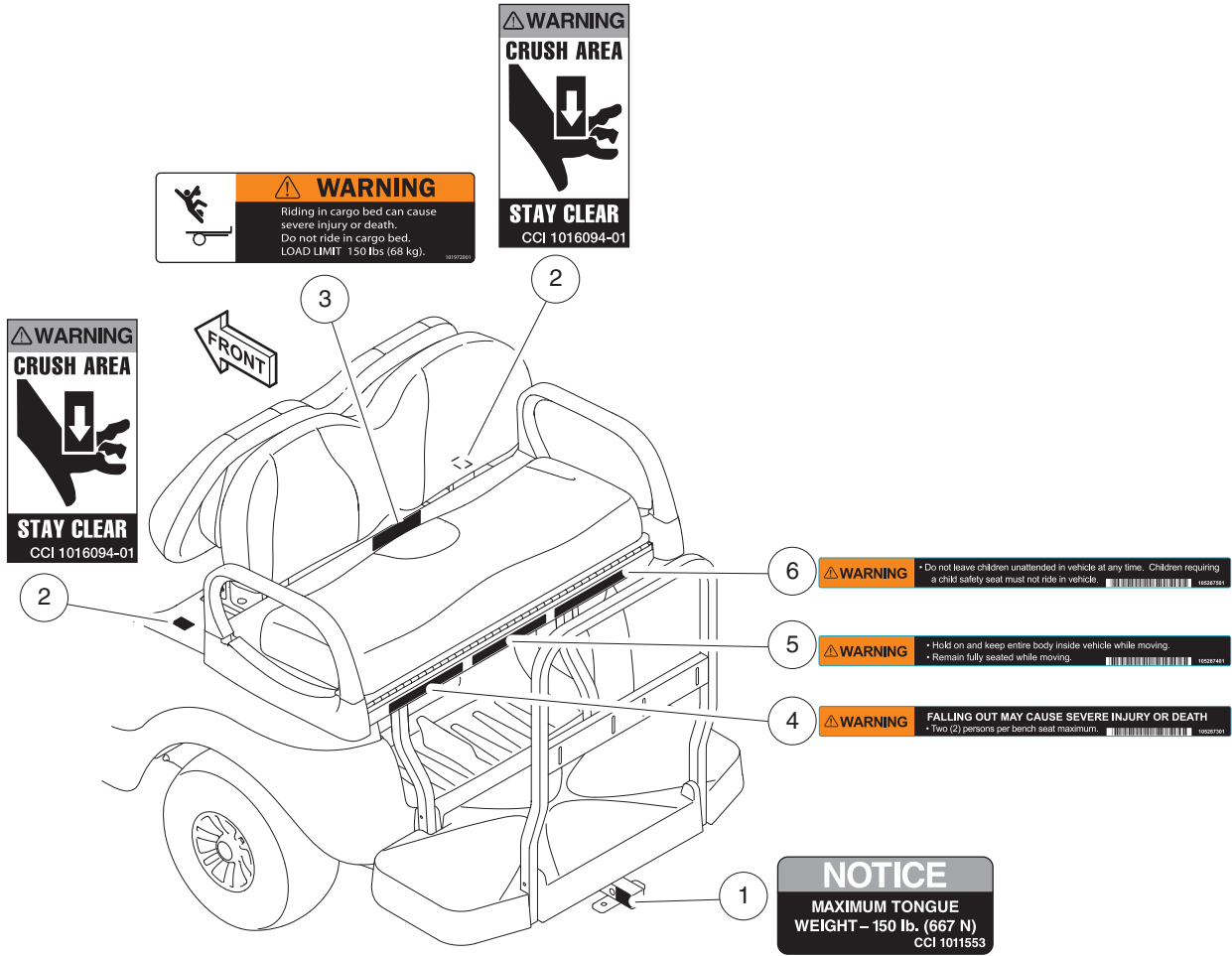
001385-001

DECALS – GASOLINE VEHICLE ONLY

ITEM	PART NO.	DESCRIPTION	QTY
		1 2 3 4	
1	101960501	Decal, Rotating Parts/Hot Manifold	2
2	102517901	Decal, Warning - Frame Ground	1
3	103205501	Decal, Maintenance/Operate Switch	1
4	105067501	Decal, Warn - Gas/gov	1
5	47586191001	Decal, Compliance, Mirrors	1

3
G
E

3
G
E



001386-001

DECALS – 4-PASSENGER VEHICLE ONLY

ITEM	PART NO.	DESCRIPTION	QTY
		1 2 3 4	
1	1011553	Decal, Trailer Hitch	1
2	101609401	Decal, Crush Area Warning	2
3	101972001	Decal, D.s. Box Bed Warning (for vehicles with bed box option)	1
4	105267301	Decal, Warn, Fld L	1
5	105267401	Decal, Warn, Fld M	1
6	105267501	Decal, Warn, Fld R	1

3
G
E

3

G

E

Club Car

1

ONWARD

2

001435-001

DECALS – BADGING

ITEM	PART NO.	DESCRIPTION	QTY
1	102883602	1 2 3 4 Decal, Nameplate, Csmr	1
2	47594888001	Decal, Branding, Onward	2

3
G
E

3

G

E

LIGHTS, CONTROLS AND INDICATORS

4

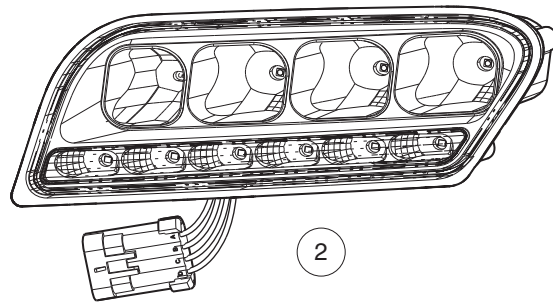
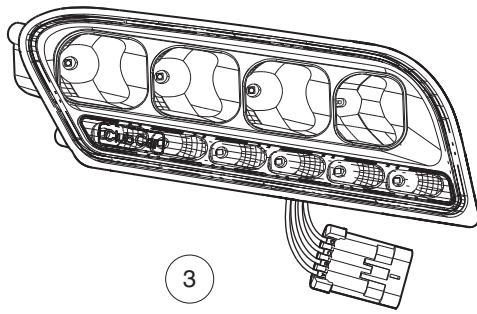
G

E

4
G
E



1



001341-001

HEADLIGHTS – ONWARD

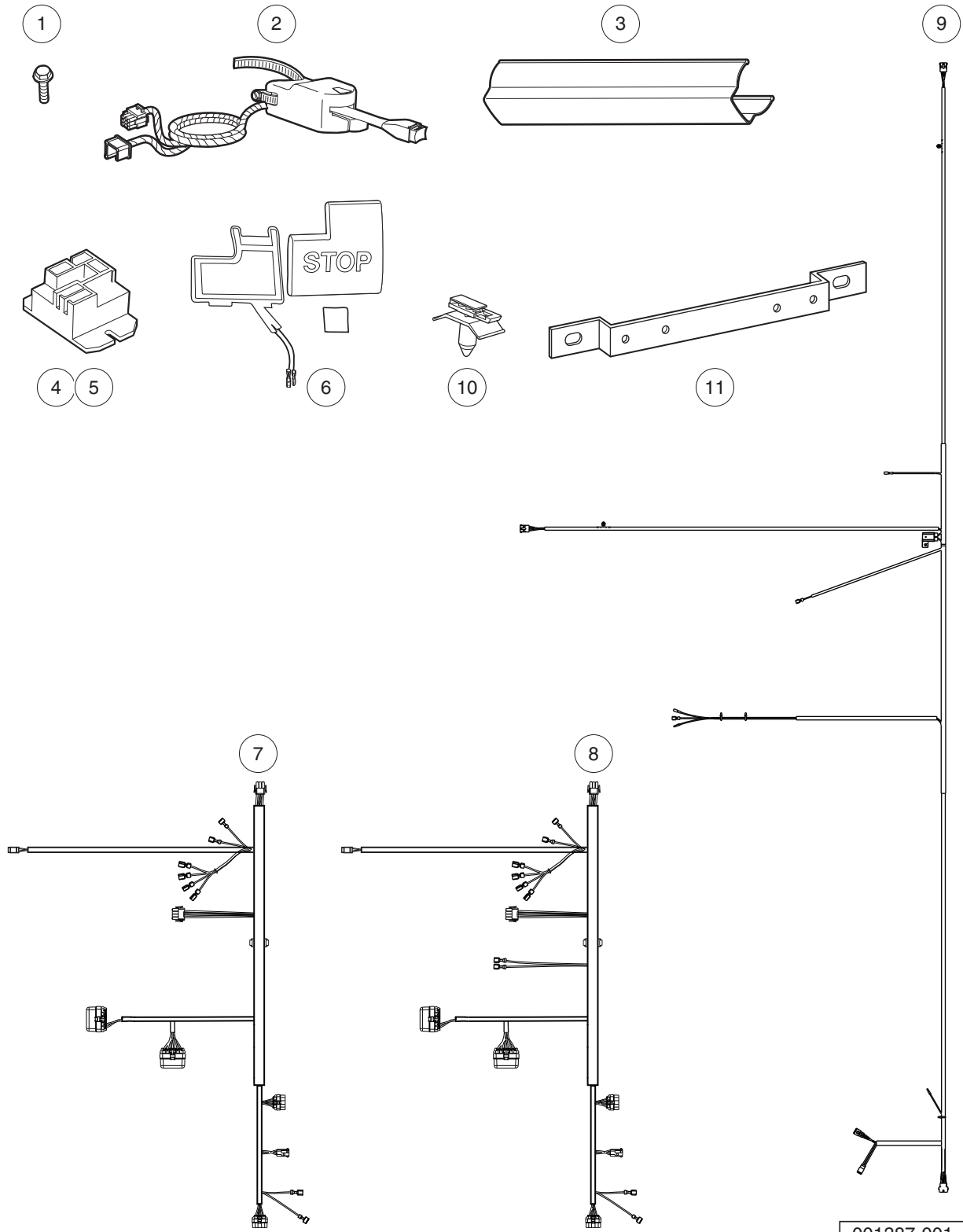
ITEM	PART NO.	DESCRIPTION	QTY
		1 2 3 4	
1	102296020	Screw-torx Pan Head Pt, M6x20	8
2	47565234003	Headlight, LED, Driver-side, Service Replacement	1
3	47565234004	Headlight, LED, Passenger-side, Service Replacement	1

4

G

E

4
G
E



001387-001

LIGHTING SYSTEM COMPONENTS

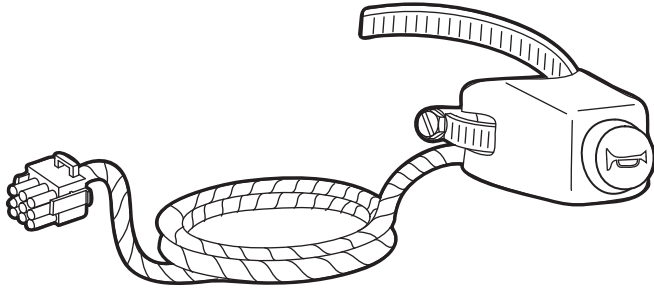
ITEM	PART NO.	DESCRIPTION	QTY
		1 2 3 4	
1	102298720	Screw, M8-1.25x20, Taptite	3
2	102517501	Turn Signal Asm	1
3	102529201	Wire Cover, Steering Column	1
4	103414901	Kit, Relay, 48v 30a W/instr (includes item 5)	1
5	103397901	Relay, Spst No, 48v 30a, Pmt	1
6	103597101	Kit, Brake Light Switch	1
7	47562746001	Harness, Wire, Instrument Panel for Lights, Ele	1
8	47562747001	Harness, Wire, Instrument Panel for Lights, Gas	1
9	47574837001	Harness, Lighting	1
10	N/A	Clip, Mount, Conn	2
11	47580172001	Bracket, Mount, Fuse	1

4
G
E

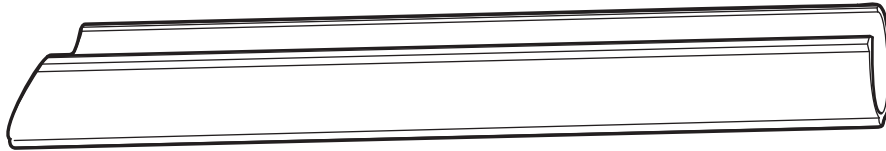
4

G

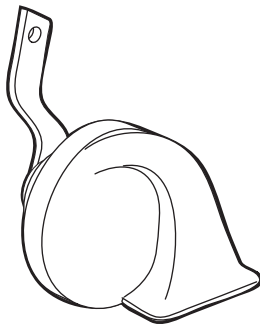
E



1



2



3

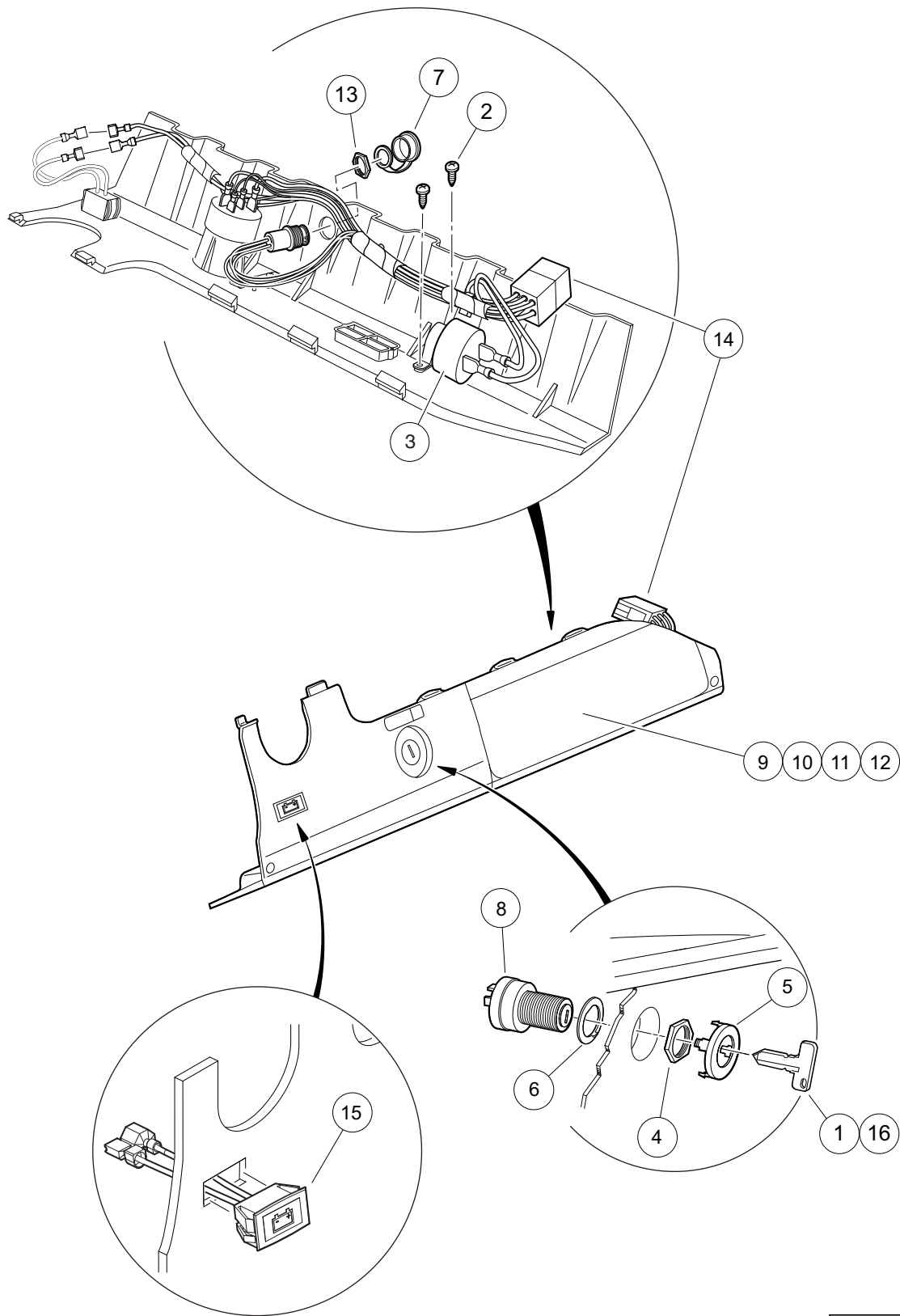
001343-001

HORN

ITEM	PART NO.	DESCRIPTION	QTY
1	102517601	1 2 3 4 Subasm, Horn Button Harness	1
2	102529201	Wire Cover, Steering Column	1
3	102535401	Horn	1

4
G
E

4
G
E



000490-004

INSTRUMENT PANEL – ELECTRIC VEHICLE WITH ERIC CHARGER

ITEM	PART NO.	DESCRIPTION	QTY
		1 2 3 4	
1	1012505	Keys (set of 2)	1
2	1016849	Screw, #4-24 X 0.33, Pan-Head, Machine	2
3	1016851	Buzzer, Reverse (9-48 VDC)	1
4	101830701	Nut, Key Switch	1
5	101834502	Cap, Black Key Switch	1
6	101851101	Washer, Key Switch	1
7	102196901	Dust Cap	1
8	102508601	Key Switch, Electric	1
9	102522901	Instrument Panel (standard)	1
10	102536601	Instrument Panel (with Hole for Headlight Switch)	1
11	102536603	Instrument Panel (with Hole for Battery Condition Indicator)	1
12	102536605	Instrument Panel (with Hole for Headlight Switch and Battery Condition Indicator)	1
13	102572401	Nut, Diagnostic Port	1
14	103991501	Harness, Wire, Instrument Panel, w/Hi-Freq	1
15	105152301	Indicator, Charger, Dash, Cap	1
16	AM10079	Bulk Std Keys (50) *	1
		 * Note: Must order in multiples of 50.	

4
G
E

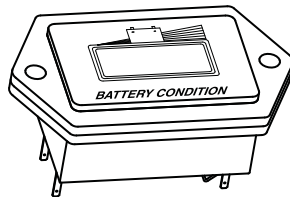
4

G

E



1



2

001388-001

BATTERY CHARGE INDICATOR

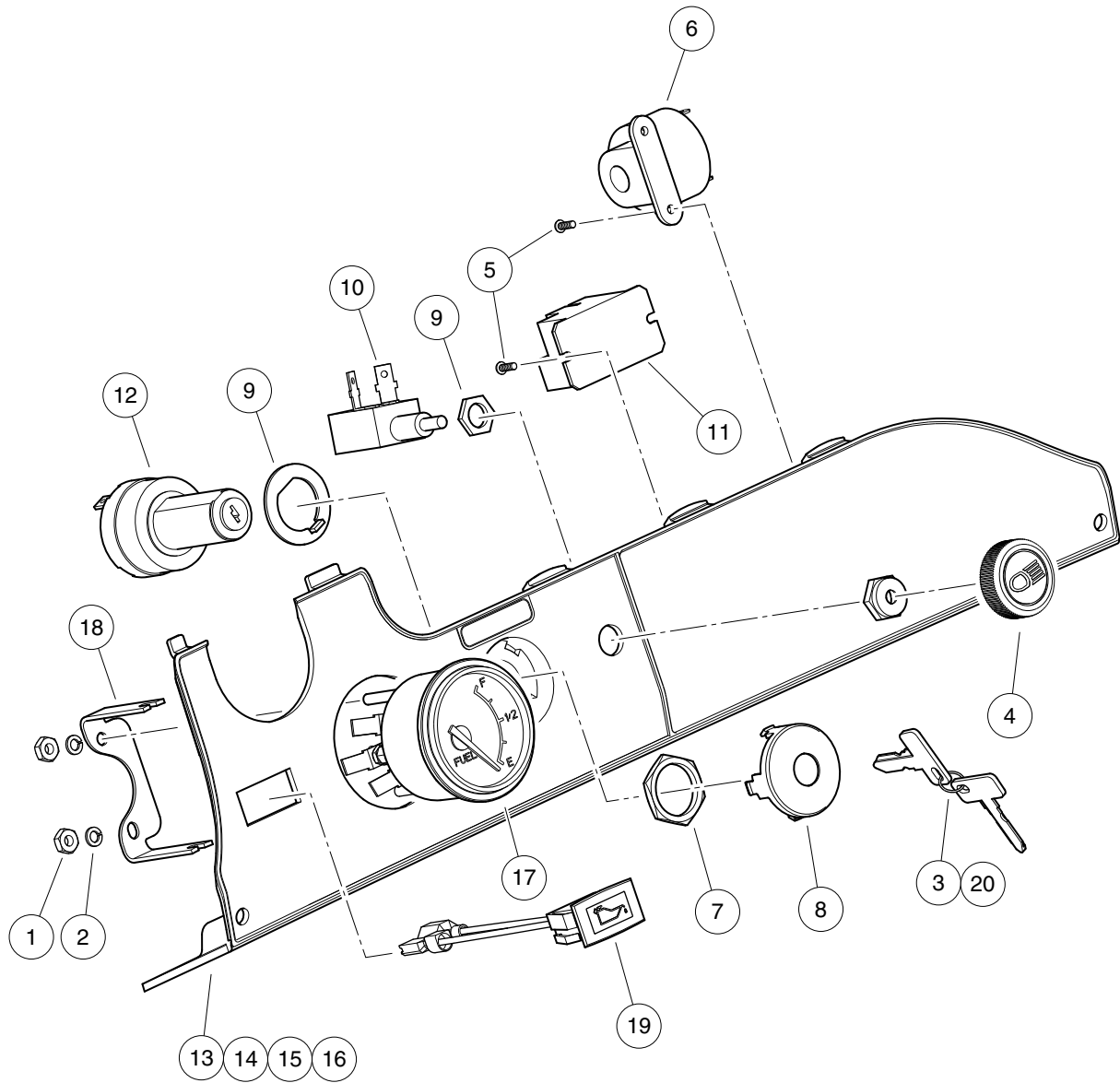
ITEM	PART NO.	DESCRIPTION	QTY
1	101814701	Retainer, Push-On	2
2	103200701	Battery Condition Indicator - 48V	1

4

G

E

4
G
E

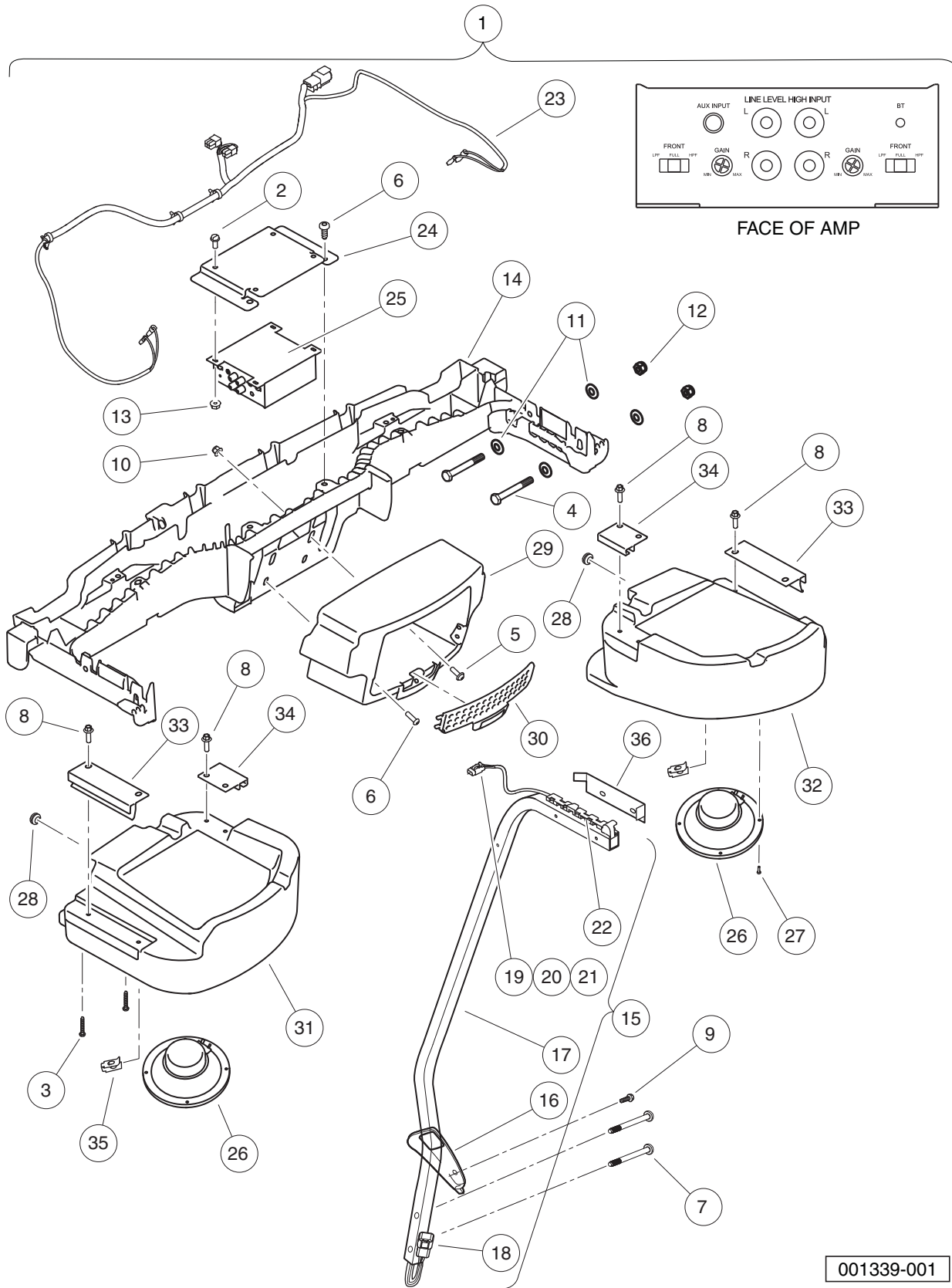


000986-001

INSTRUMENT PANEL – SUBARU EX40 GAS VEHICLE

ITEM	PART NO.	DESCRIPTION	QTY
		1 2 3 4	
1	1011571	Nut, #8-32 Hex	2
2	1011610	Lockwasher, #8 Split SS	2
3	1012505	Keys (set of 2)	1
4	1013857	Knob, Light Switch	1
5	1016849	Screw, #4-24 X 0.33, Pan-Head, Machine	4
6	1016851	Buzzer, Reverse (9-48 VDC)	1
7	101830701	Nut, Key Switch	1
8	101834502	Cap, Black Key Switch	1
9	101851101	Washer, Key Switch	1
10	102051901	Switch, Light	1
11	102199001	Relay, 12-Volt	1
12	102515101	Key Switch, Gas	1
13	102522901	Instrument Panel (standard)	1
14	102536601	Instrument Panel (with Hole for Headlight Switch)	1
15	102536602	Instrument Panel (with Hole for Fuel Gauge)	1
16	102536604	Instrument Panel (with Hole for Headlight Switch and Fuel Gauge)	1
17	103924301	Fuel Gauge, Prime	1
18	103924401	Bracket, Fuel Gauge, Prime	1
19	105037101	Light, Oil (LED)	1
20	AM10079	Bulk Std Keys (50) *	1
		* Note: Must order in multiples of 50.	

4
G
E



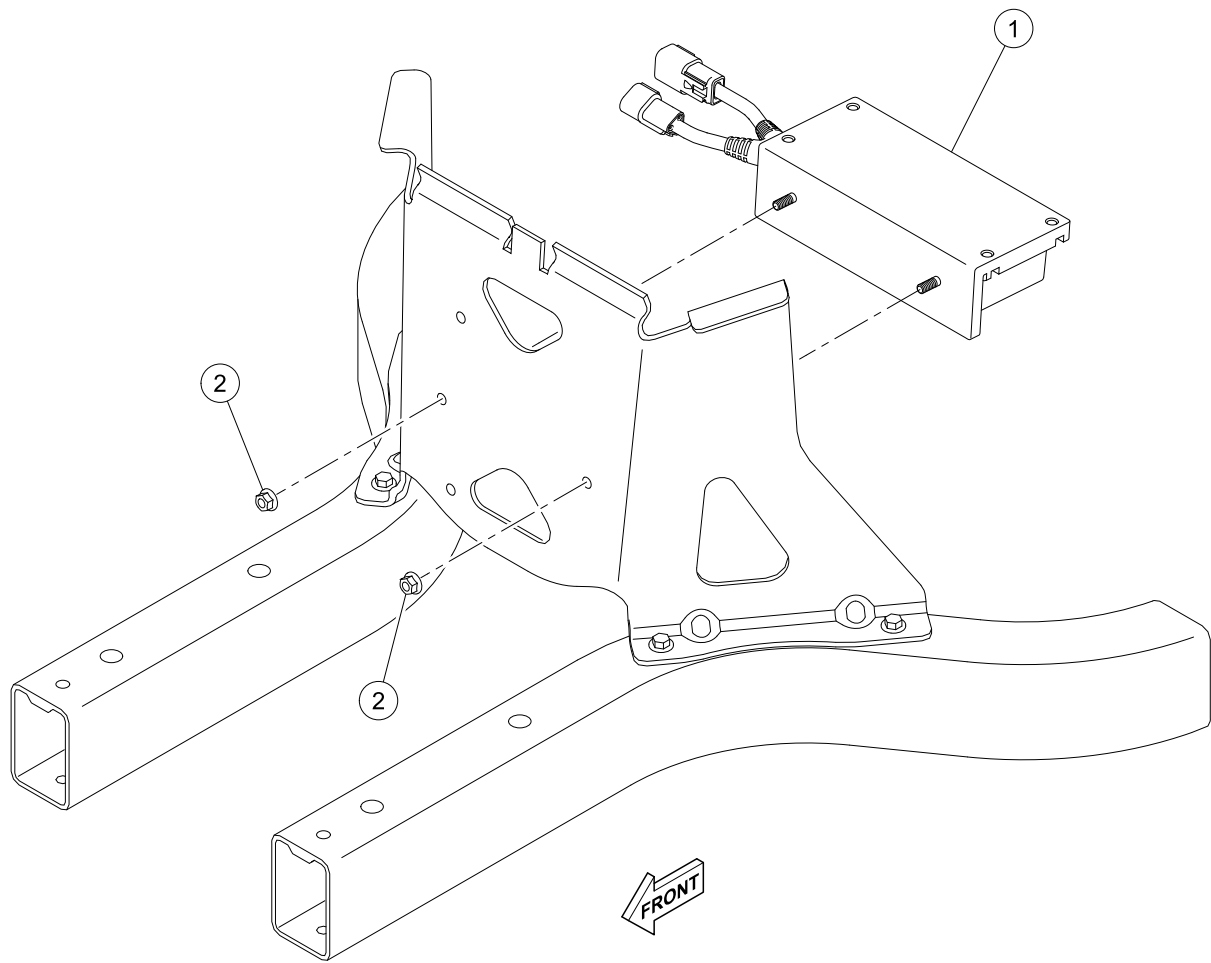
001339-001

BLUETOOTH SOUND SYSTEM

ITEM	PART NO.	DESCRIPTION	QTY
		1 2 3 4	
1	47581430001	Kit, Bt Sound System (includes items 2 through 36)	1
2	1011017	Screw, #8-32 X 0.375	4
3	102296040	Screw, Torx Pan Hd Pt, M6 X 40	4
4	102296150	Bolt - M6x1.0x50 Hex Flng Hd	4
5	102296920	Screw, M6, Torx Button Head, Sems	2
6	102298020	Screw, K80x20, Torx Pn Hd Pt	4
7	102299065	M8-1.25 X 65 Tx Bttm Hd Bolt	2
8	102541401	Bolt-m6x1.0x20 Hex Flhd Blk-l	8
9	102544201	Screw, M6 Hex	1
10	102621501	Nut, Flange, M6 X 1.0, Nylon	2
11	103196001	Washer, Conical Spring, Canopy	8
12	103200301	Nut, M6 x 1.00	4
13	105190701	Nut, Flanged, #8-32, Serrated	4
14	47559265002	Support, Display Unit, Bt	1
15	47561477001	Asm, Strut, Visage, R.h. (includes items 16 through 22)	1
16	102400102	Cover, Canopy Support, Passenger-side, Black	1
17	103750001	Strut, Canopy Front, Passenger-side	1
18	N/A	Brkt, Tree-stud Mount, Dt/dtm	1
19	N/A	Conn, Plug, Dtm, 3 Pin, Blk	1
20	N/A	Lock, Wedge, Dtm, Plug	1
21	47554736001	Harness, Visage, Strut, G/e	1
22	47559268001	Retainer, Wire Harness	1
23	47562748001	Harness, Sound Mil200bt, Csmr	1
24	47581126001	Bracket, Amp, Mil200bt	1
25	47581127001	Amp, Bluetooth, Mil200bt	1
26	47581128001	Speaker, 5.25", Blk	1
27	47581129001	Screw, 6-32 X 5/8 Torx Ph Blk	8
28	47581130001	Grommet, Sbr, .38 Id	2
29	47581131001	Storage Unit, Center, Csmr	1
30	47581132001	Closeout, Plastic, Perforated	1
31	47581133001	Enclosure, Speaker, Ds, 2p	1
32	47581133002	Enclosure, Speaker, Ps, 2p	1
33	47581134001	Extrusion, Alum, Spkr Outer	2
34	47581135001	Extrusion, Alum, Spkr Inner	2
35	47584406001	U-nut, 6-32	8
36	47589609001	Cover, Strut, Bt Sound	1

4
G
E

4
G
E



DC CONVERTER – ELECTRIC VEHICLE

ITEM	PART NO.	DESCRIPTION	QTY
1	47594727001	1 2 3 4 Converter, Dc/dc	1
2	96704176	Nut, Flanged, M6 X 1, Serrated	2

4

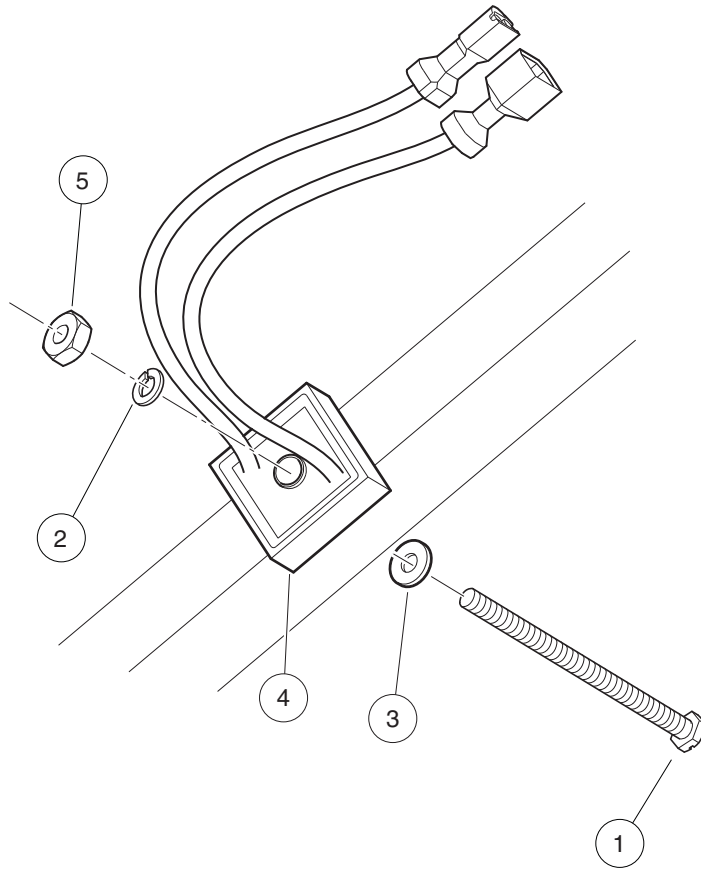
G

E

4

G

E



001365-002

VOLTAGE LIMITER – GASOLINE VEHICLE

ITEM	PART NO.	DESCRIPTION	QTY
		1 2 3 4	
1	1010909	Screw, #10-32 X 1.25 Rd Hd Mch	1
2	1016	Lockwasher, #10 Split	1
3	183	Washer, #10, Type A, Flat	1
4	47604303001	Voltage Limiter, Gas	1
5	7893	Nut, #10-32 Hex	1

4

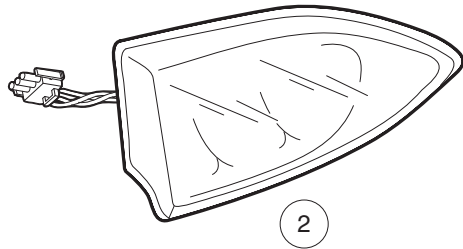
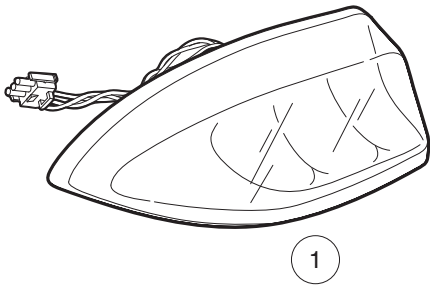
G

E

4

G

E



001340-001

TAILLIGHTS – PRECEDENT AND CONSUMER CAR

ITEM	PART NO.	DESCRIPTION	QTY
1	102528901	1 2 3 4 Taillight, Driver-side	1
2	102529001	Taillight, Passenger-side	1

4
G
E

4

G

E

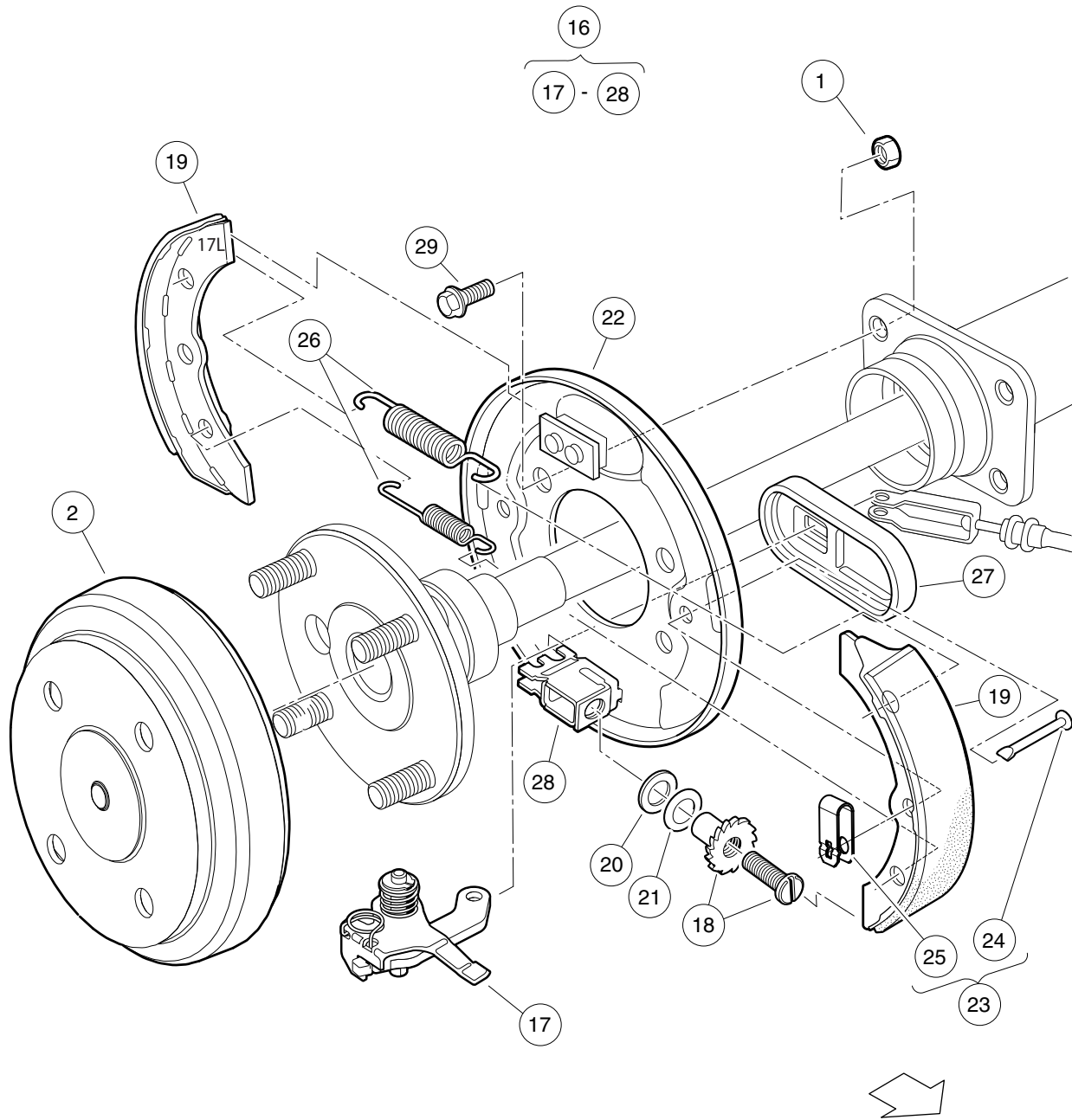
BRAKES AND PEDAL GROUP ASSEMBLIES

5

G

E

5
G
E

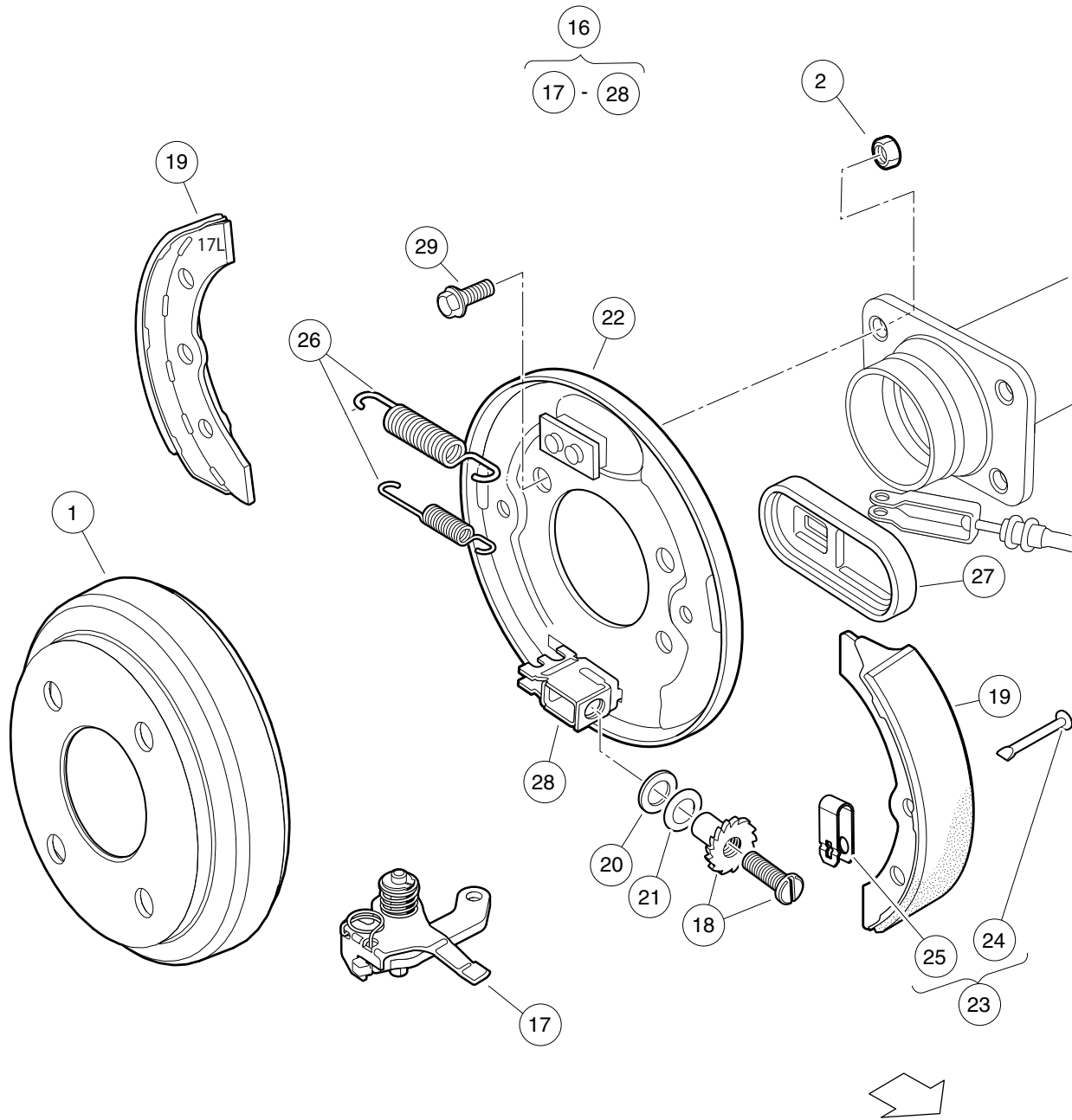


000186-006

REAR BRAKES, SELF-ADJUSTING – ELECTRIC VEHICLES

ITEM	PART NO.	DESCRIPTION	QTY	
		1 2 3 4		5
1	1013924	Nut, 5/16-24, Hex Head Cone	8	G
2	101791101	Drum without Center Hole, Brake	2	E
3	103380201	Asm, Brake Cluster, Mech, Drvr (includes items 4 through 15)	1	
4	101815502	Lever Assembly, Self-Adjusting Brake, Left	1	
5	101816502	Adjusting Mechanism, Self-Adjusting Brake, Left	1	
6	101823201	Package, Brake Shoe, Self-Adjusting	1	
7	101823801	Plate, Washer, Brake, Self-Adjusting	1	
8	101823901	Washer, Brake, Self-Adjusting	1	
9	103483102	Backing Plate, Driver-side	1	
10	103483201	Kit, Shoe Retainer (includes items 11 and 12)	1	
11	N/A	Pin	2	
12	N/A	Spring, Shoe, Clamp	2	
13	103483401	Package Brake Spring Self Adj	1	
14	103483601	Cover, Dust	1	
15	103483701	Brake Block	1	
16	103380202	Asm, Brake Cluster, Mech, Pass (includes items 17 through 28)	1	
17	101815501	Lever Assembly, Self-Adjusting Brake, Right (Passenger)	1	
18	101816501	Adj Mechanism, S.A. Brakes, Right (Passenger)	1	
19	101823201	Package, Brake Shoe, Self-Adjusting	1	
20	101823801	Plate, Washer, Brake, Self-Adjusting	1	
21	101823901	Washer, Brake, Self-Adjusting	1	
22	103483101	Backing Plate, Passenger-side	1	
23	103483201	Kit, Shoe Retainer (includes items 24 and 25)	1	
24	N/A	Pin	2	
25	N/A	Spring, Shoe, Clamp	2	
26	103483401	Package Brake Spring Self Adj	1	
27	103483601	Cover, Dust	1	
28	103483701	Brake Block	1	
29	47542195001	Bolt, Brake Cluster Mnt	8	
		Note: Driver-side brake cluster not shown. Components have a similar appearance to passenger-side brake cluster components.		

5
G
E



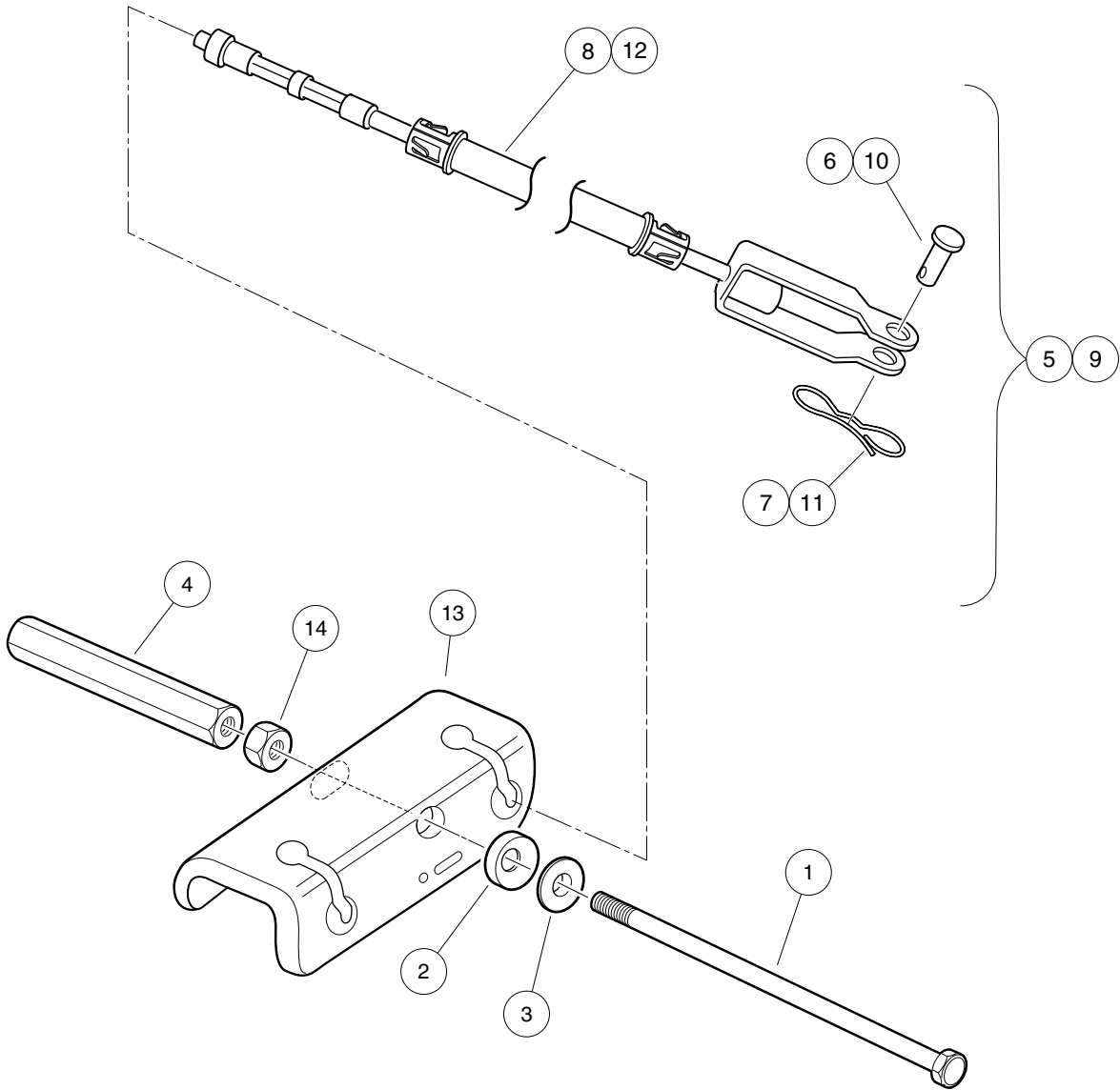
000186-007

REAR BRAKES, SELF-ADJUSTING – GASOLINE VEHICLES

ITEM	PART NO.	DESCRIPTION	QTY
		1 2 3 4	
1	1011137	Drum, Brake	2
2	1013924	Nut, 5/16-24, Hex Head Cone	8
3	103380201	Asm, Brake Cluster, Mech, Drvr (includes items 4 through 15)	1
4	101815502	Lever Assembly, Self-Adjusting Brake, Left	1
5	101816502	Adjusting Mechanism, Self-Adjusting Brake, Left	1
6	101823201	Package, Brake Shoe, Self-Adjusting	1
7	101823801	Plate, Washer, Brake, Self-Adjusting	1
8	101823901	Washer, Brake, Self-Adjusting	1
9	103483102	Backing Plate, Driver-side	1
10	103483201	Kit, Shoe Retainer (includes items 11 and 12)	1
11	N/A	Pin	2
12	N/A	Spring, Shoe, Clamp	2
13	103483401	Package Brake Spring Self Adj	1
14	103483601	Cover, Dust	1
15	103483701	Brake Block	1
16	103380202	Asm, Brake Cluster, Mech, Pass (includes items 17 through 28)	1
17	101815501	Lever Assembly, Self-Adjusting Brake, Right (Passenger)	1
18	101816501	Adj Mechanism, S.A. Brakes, Right (Passenger)	1
19	101823201	Package, Brake Shoe, Self-Adjusting	1
20	101823801	Plate, Washer, Brake, Self-Adjusting	1
21	101823901	Washer, Brake, Self-Adjusting	1
22	103483101	Backing Plate, Passenger-side	1
23	103483201	Kit, Shoe Retainer (includes items 24 and 25)	1
24	N/A	Pin	2
25	N/A	Spring, Shoe, Clamp	2
26	103483401	Package Brake Spring Self Adj	1
27	103483601	Cover, Dust	1
28	103483701	Brake Block	1
29	47542195001	Bolt, Brake Cluster Mnt	8
		Note: Driver-side brake cluster not shown. Components have a similar appearance to passenger-side brake cluster components.	

5
G
E

5
G
E



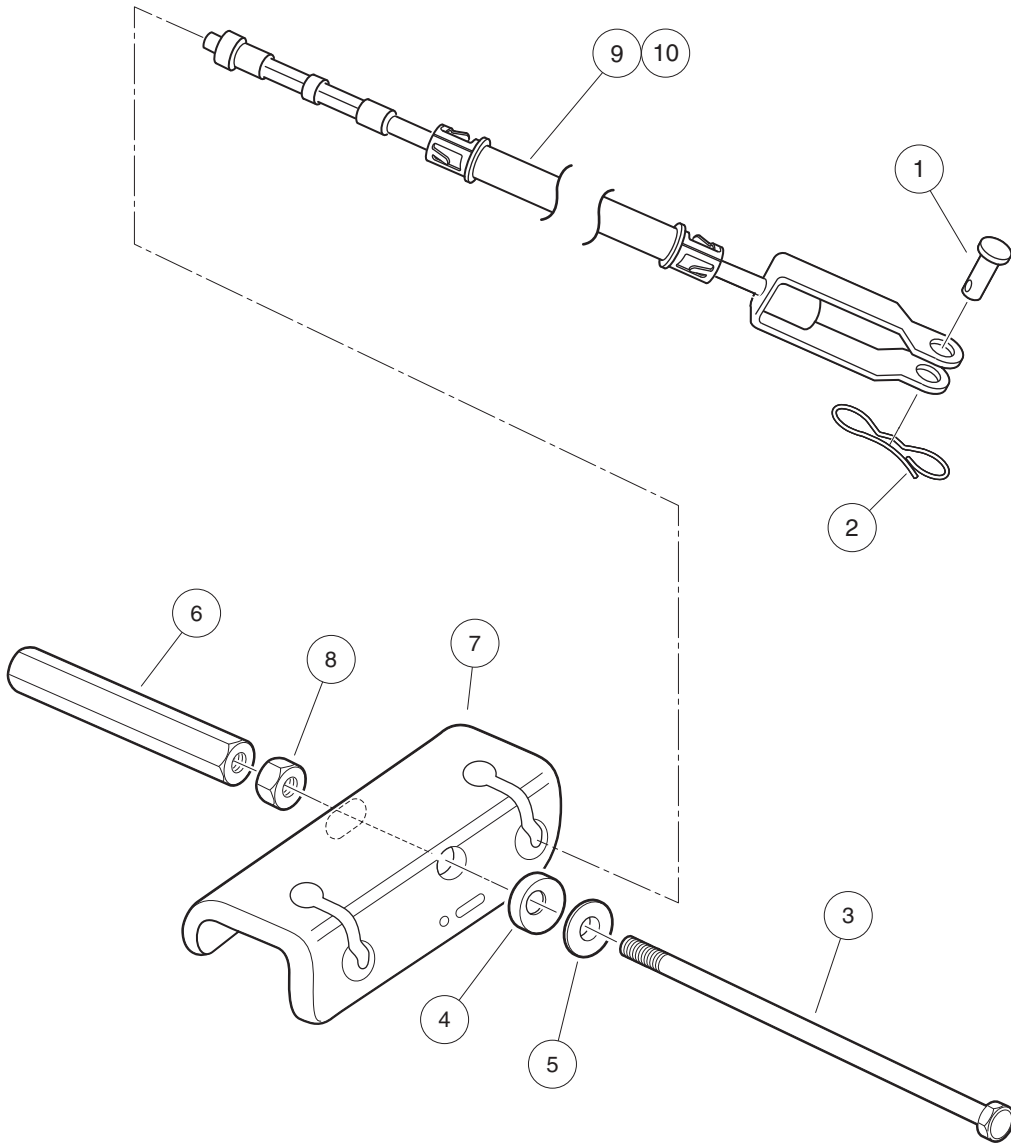
000467-006

BRAKE CABLES AND EQUALIZER BRACKET

ITEM	PART NO.	DESCRIPTION	QTY
		1 2 3 4	
1	102297901	Bolt, 5/16-18 X 7.375, Hex	1
2	102551901	Washer, 5/16, Self Comp, Cup	1
3	102552001	Washer, 5/16, Self Comp, Cone	1
4	102594301	Nut, 5/16-18, Hex Adjusting -l	1
5	103528701	Kit, Brake Cable, Passenger-side (includes items 6 through 8)	1
6	1010829	Pin, Clevis, 5/16 X 3/4	1
7	102292801	Pin, Bow Tie Locking - .072	1
8	N/A	Cable, Brake, Right	1
9	103528702	Kit, Brake Cable, Driver-side (includes items 10 through 12)	1
10	1010829	Pin, Clevis, 5/16 X 3/4	1
11	102292801	Pin, Bow Tie Locking - .072	1
12	N/A	Cable, Brake, Left	1
13	103535001	Bracket, Equalizer	1
14	1242	Nut, 5/16-18 Hex	1

5
G
E

5
G
E



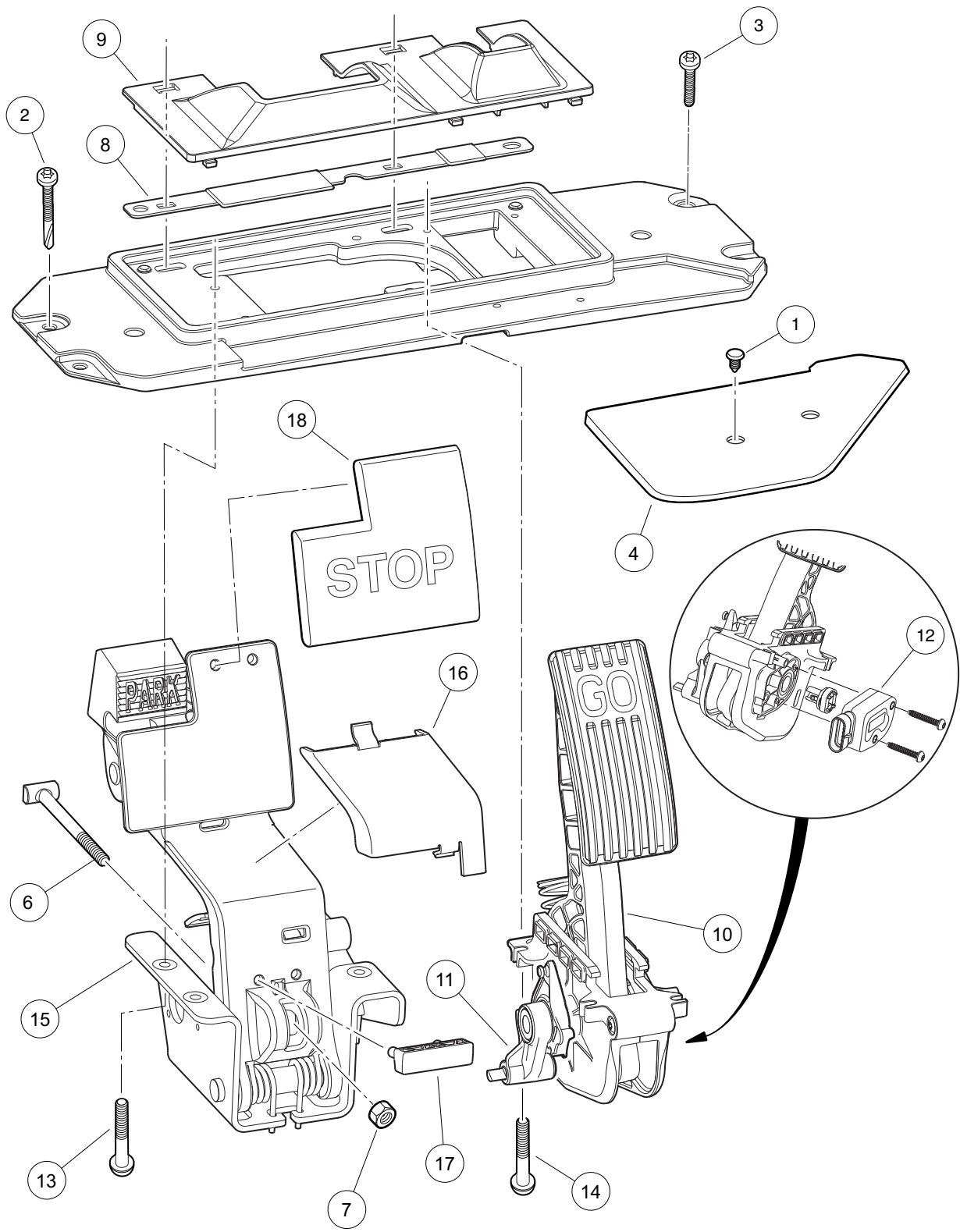
000467-007

BRAKE CABLES AND EQUALIZER BRACKET – LIFTED VEHICLE

ITEM	PART NO.	DESCRIPTION	QTY
		1 2 3 4	
1	1010829	Pin, Clevis, 5/16 X 3/4	2
2	102292801	Pin, Bow Tie Locking - .072	2
3	102297901	Bolt, 5/16-18 X 7.375, Hex	1
4	102551901	Washer, 5/16, Self Comp, Cup	1
5	102552001	Washer, 5/16, Self Comp, Cone	1
6	102594301	Nut, 5/16-18, Hex Adjusting -l	1
7	103535001	Bracket, Equalizer	1
8	1242	Nut, 5/16-18 Hex	1
9	47562652001	Cable, Brake, Csmr, Lifted, Driver-side	1
10	47582091001	Cable, Brake, Csmr, Lifted, Passenger-side	1

5
G
E

5
G
E



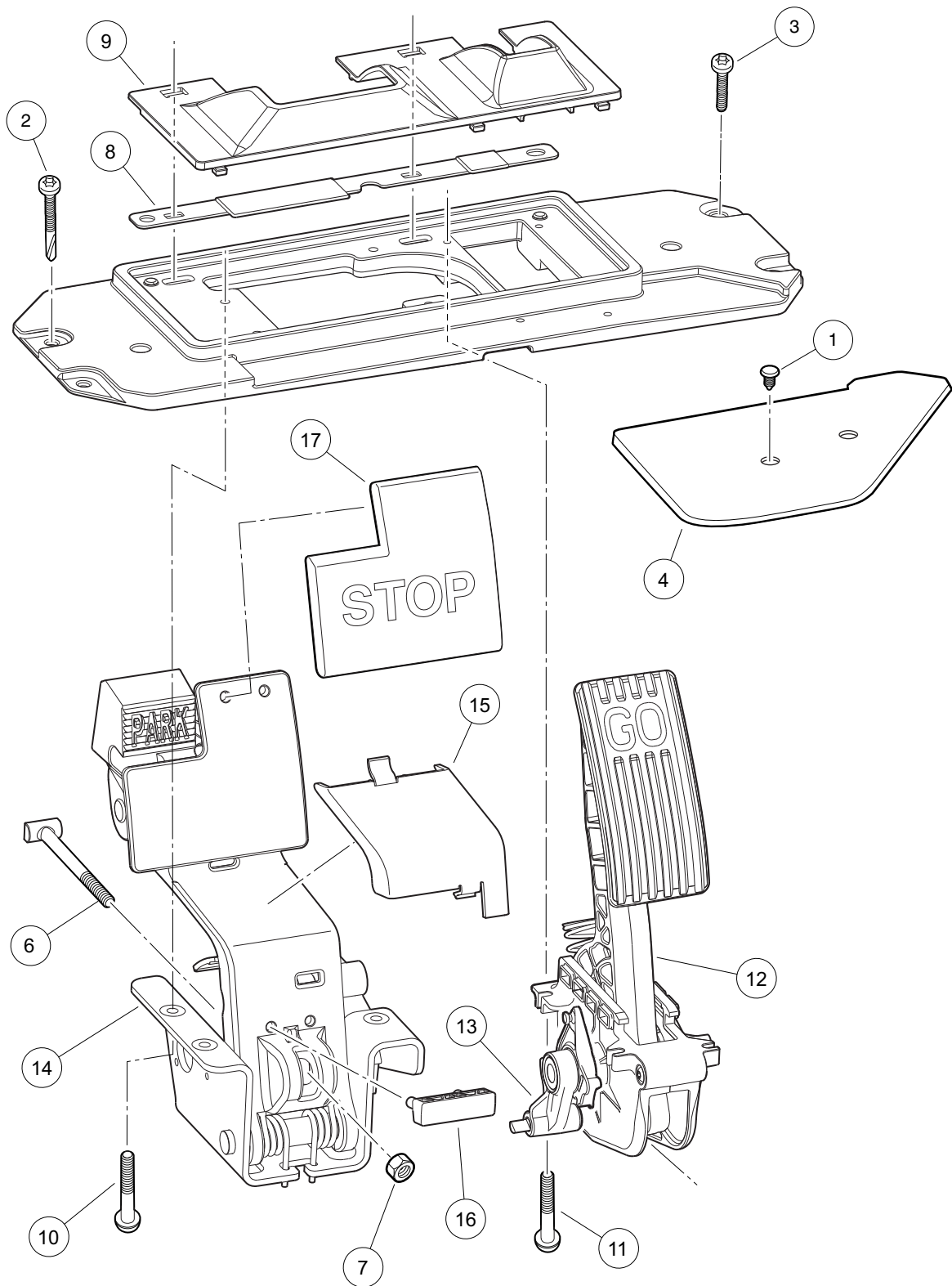
000487-015

PEDAL GROUP WITH SENSOR – GASOLINE VEHICLE

ITEM	PART NO.	DESCRIPTION	QTY
		1 2 3 4	
1	1010434	Barrel - Plastic	1
2	102292201	Screw-1/4-20x2.20 Tx Pn Hd Sd	2
3	102298030	Screw, K80x30, Torx Pn Hd Pt	2
4	102500801	Plate - Floor Cover	1
5	103974815	Asm, Pedal Set, Anodized, Service, Gas Vehicle (includes items 6 through 15)	1
6	102559401	Rod, Brake	1
7	102559701	Nut, Brake Rod	1
8	102594801	Shield, Debris Aux	1
9	102594901	Shield, Debris Primary	1
10	102595502	Asm, Accel. Pedal/Throttle, Anodized, Gas Vehicle (includes items 11 and 12)	1
11	103777601	Asm, Park Brake Release, Anodized	1
12	N/A	Throttle Sensor	1
13	102595901	Screw, M6x1.0x17 Ph, Taptite	4
14	102596001	Screw, M5x0.8x18 Ph, Taptite	4
15	103974901	Asm, Brake Pedal, Anodized (includes items 16 through 18)	1
16	102595201	Cover, Brake	1
17	102595301	Upstop, Brake	1
18	102595401	Pad, Brake	1
		Note: Item 5 is not illustrated as a complete assembly. All detail parts are identified in the illustration.	

5
G
E

5
G
E

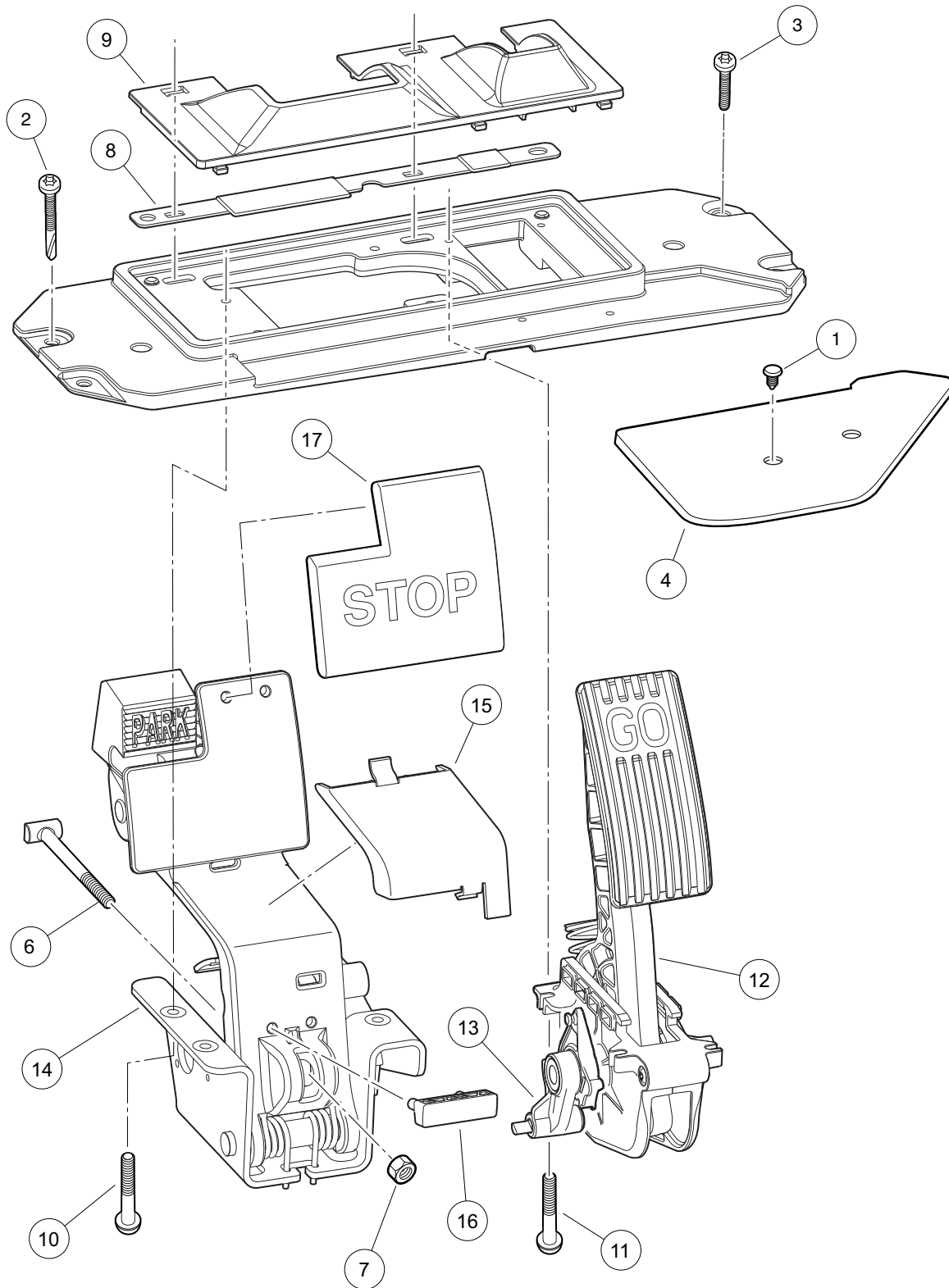


000487-018

PEDAL GROUP W/O SENSOR, GASOLINE VEHICLE

ITEM	PART NO.	DESCRIPTION	QTY	
		1 2 3 4		5
1	1010434	Barrel - Plastic	1	G
2	102292201	Screw-1/4-20x2.20 Tx Pn Hd Sd	2	E
3	102298030	Screw, K80x30, Torx Pn Hd Pt	2	
4	102500801	Plate - Floor Cover	1	
5	103974821	Asm, Pedal, Anodized, Field Service, Gas or Elec (includes items 6 through 14)	1	
6	102559401	Rod, Brake	1	
7	102559701	Nut, Brake Rod	1	
8	102594801	Shield, Debris Aux	1	
9	102594901	Shield, Debris Primary	1	
10	102595901	Screw, M6x1.0x17 Ph, Taptite	4	
11	102596001	Screw, M5x0.8x18 Ph, Taptite	4	
12	102596301	Pedal, Accelerator, Anodized, Gas or Elec (includes item 13)	1	
13	103777601	Asm, Park Brake Release, Anodized	1	
14	103974901	Asm, Brake Pedal, Anodized (includes items 15 through 17)	1	
15	102595201	Cover, Brake	1	
16	102595301	Upstop, Brake	1	
17	102595401	Pad, Brake	1	
<p>Note: Pedal Assembly (item 5) has no sensor and is common to both gas and electric vehicles. Item 5 is not illustrated as a complete assembly. All applicable details are illustrated.</p>				

5
G
E



000487-016

PEDAL GROUP W/O MCOR – ELECTRIC VEHICLE

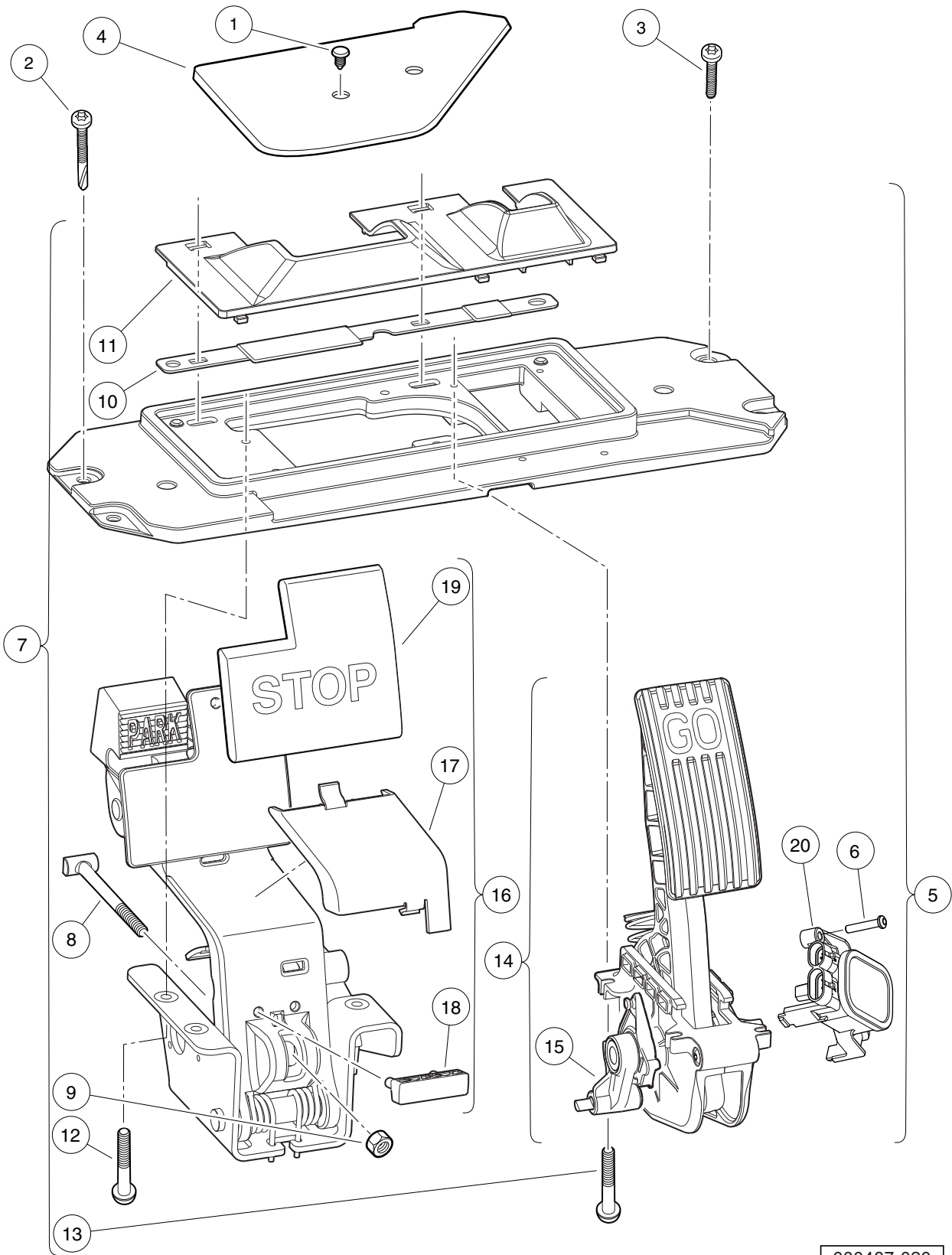
ITEM	PART NO.	DESCRIPTION	QTY
		1 2 3 4	
1	1010434	Barrel - Plastic	1
2	102292201	Screw-1/4-20x2.20 Tx Pn Hd Sd	2
3	102298030	Screw, K80x30, Torx Pn Hd Pt	2
4	102500801	Plate - Floor Cover	1
5	103974821	Asm, Pedal, Anodized, Field Service, Gas or Elec (includes items 6 through 14)	1
6	102559401	Rod, Brake	1
7	102559701	Nut, Brake Rod	1
8	102594801	Shield, Debris Aux	1
9	102594901	Shield, Debris Primary	1
10	102595901	Screw, M6x1.0x17 Ph, Taptite	4
11	102596001	Screw, M5x0.8x18 Ph, Taptite	4
12	102596301	Pedal, Accelerator, Anodized, Gas or Elec (includes item 13)	1
13	103777601	Asm, Park Brake Release, Anodized	1
14	103974901	Asm, Brake Pedal, Anodized (includes items 15 through 17)	1
15	102595201	Cover, Brake	1
16	102595301	Upstop, Brake	1
17	102595401	Pad, Brake	1
<p>Note: Pedal Assembly (item 5) has no MCOR and is common to both gas and electric vehicles. Item 5 is not illustrated as a complete assembly. All applicable details are illustrated.</p>			

5

G

E

5
G
E



000487-020

PEDAL GROUP WITH MCOR – ELECTRIC VEHICLE

ITEM	PART NO.	DESCRIPTION	QTY
		1 2 3 4	
1	1010434	Barrel - Plastic	1
2	102292201	Screw-1/4-20x2.20 Tx Pn Hd Sd	2
3	102298030	Screw, K80x30, Torx Pn Hd Pt	2
4	102500801	Plate - Floor Cover	1
5	103874111	Asm, Pedal Set, Anodized, w/MCOR, Service (includes items 6 through 20)	1
6	103943401	Screw, Pan, #10 X 1.00 Hi-lo	1
7	103975011	Asm, Pedal Set, Anodized, Service, Elec Vehicle (includes items 8 through 16)	1
8	102559401	Rod, Brake	1
9	102559701	Nut, Brake Rod	1
10	102594801	Shield, Debris Aux	1
11	102594901	Shield, Debris Primary	1
12	102595901	Screw, M6x1.0x17 Ph, Taptite	4
13	102596001	Screw, M5x0.8x18 Ph, Taptite	4
14	102596301	Pedal, Accelerator, Anodized, Gas or Elec (includes item 15)	1
15	103777601	Asm, Park Brake Release, Anodized	1
16	103974901	Asm, Brake Pedal, Anodized (includes items 17 through 19)	1
17	102595201	Cover, Brake	1
18	102595301	Upstop, Brake	1
19	102595401	Pad, Brake	1
20	105116301	MCOR4, Type 16 Switch	1
		Note: See the Electrical System Section for more MCOR information.	

5
G
E

5

G

E

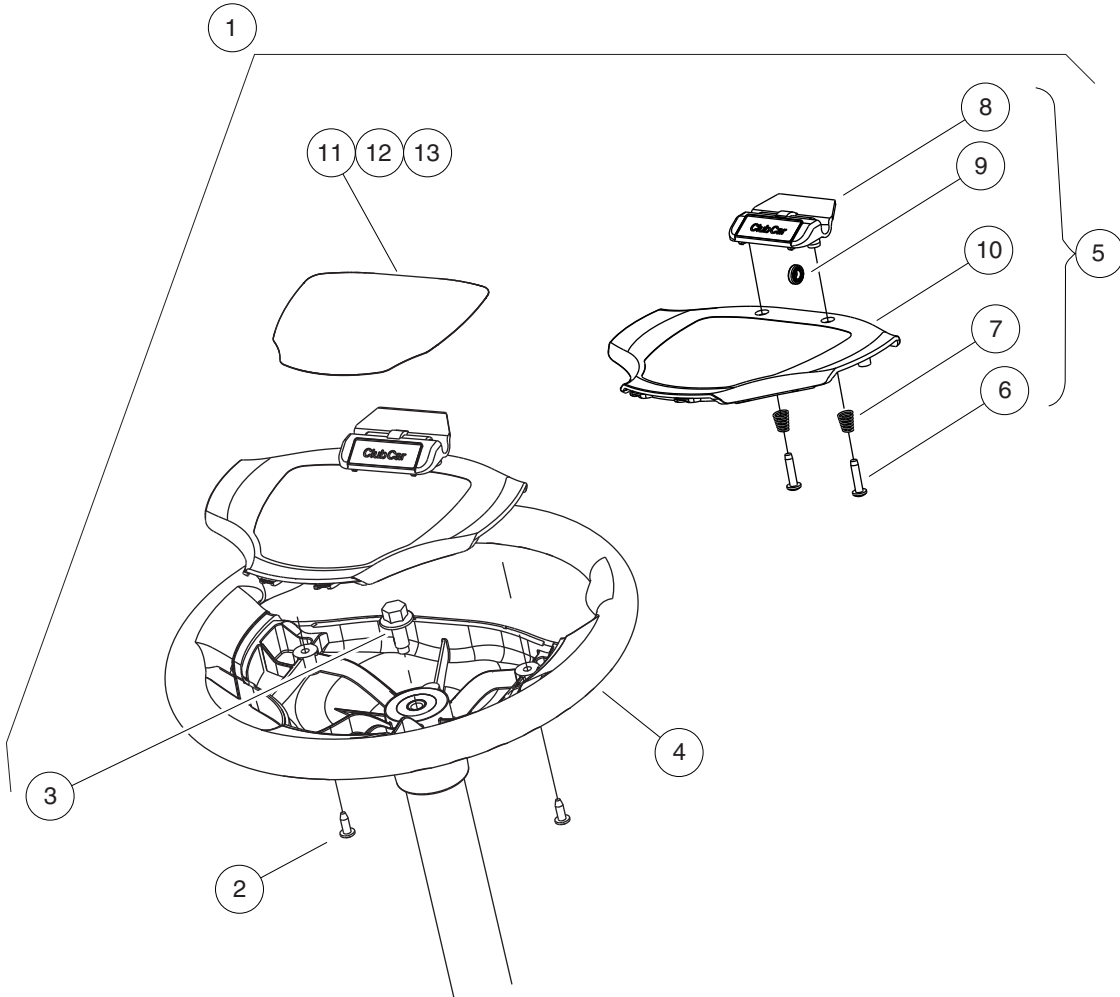
STEERING, FRONT AND REAR SUSPENSION – STANDARD HEIGHT

6

G

E

6
G
E



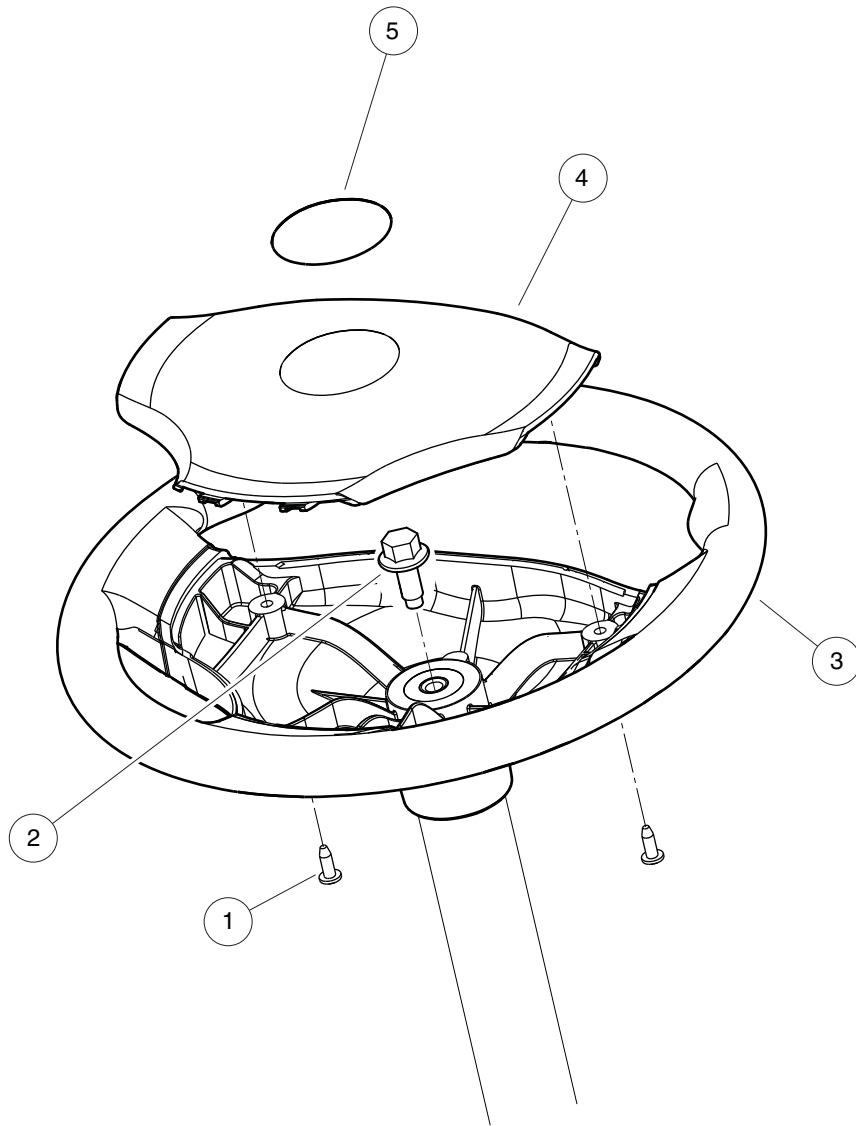
000470-002

STEERING WHEEL, COMFORT GRIP WITH CLIP

ITEM	PART NO.	DESCRIPTION	QTY
		1 2 3 4	
1	103796701	Kit, Hex, Steering Wheel (includes items 2 through 13)	1
2	101850301	Screw, #12-16 X 0.50 Washer-Head Hi-Lo	2
3	102290120	Bolt, M10 X 20 Hex Washer Hd	1
4	103724503	Steering Wheel, Soft Grip, Hex	1
5	103724901	Asm, Scorecard, Clip (includes items 6 through 10)	1
6	1012565	Screw, #12 Phillips Round Head	2
7	1012566	Tapered Compression Spring	2
8	1016154	Clip, Scorecard	1
9	1016214	Pencil Grip	1
10	103724601	Cover, Steering Wheel, Clip	1
11	103783001	Decal, Op Instr, Ele	1
12	103783002	Decal, Op Instr, Gas Ps	1
13	103783003	Decal, Op Instr, Gas Ks	1
<p>Note: Decal Item 13 is not used for Precedent vehicles.</p>			

6
G
E

6
G
E

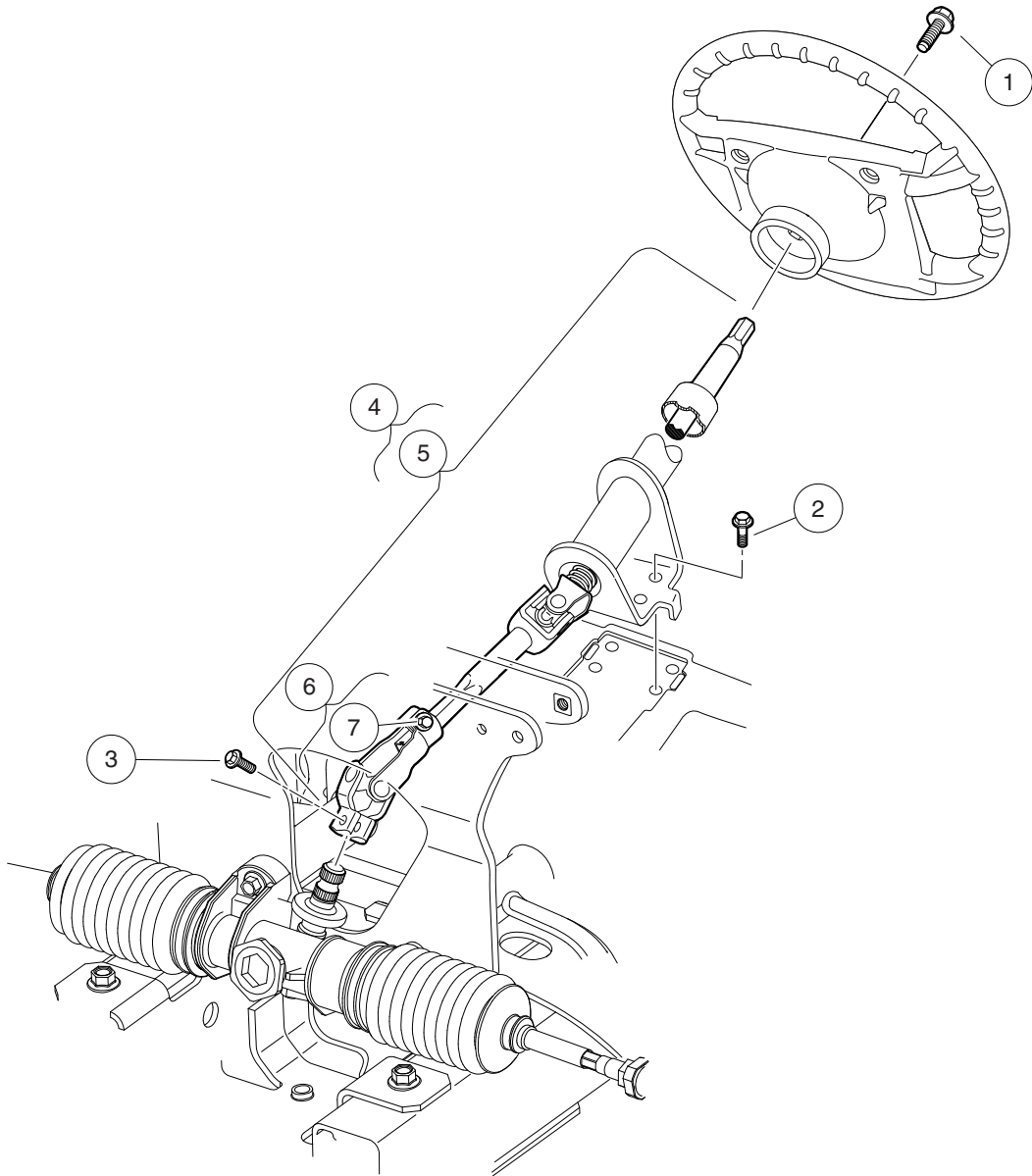


001389-001

STEERING WHEEL, COMFORT GRIP WITH LOGO

ITEM	PART NO.	DESCRIPTION	QTY
		1 2 3 4	
1	101850301	Screw, #12-16 X 0.50 Washer-Head Hi-Lo	2
2	102290120	Bolt, M10 X 20 Hex Washer Hd	1
3	103724503	Steering Wheel, Soft Grip, Hex	1
4	103724602	Cover, Steering Wheel, Generic	1
5	103829401	Logo, Cci, Steer Wheel	1

6
G
E



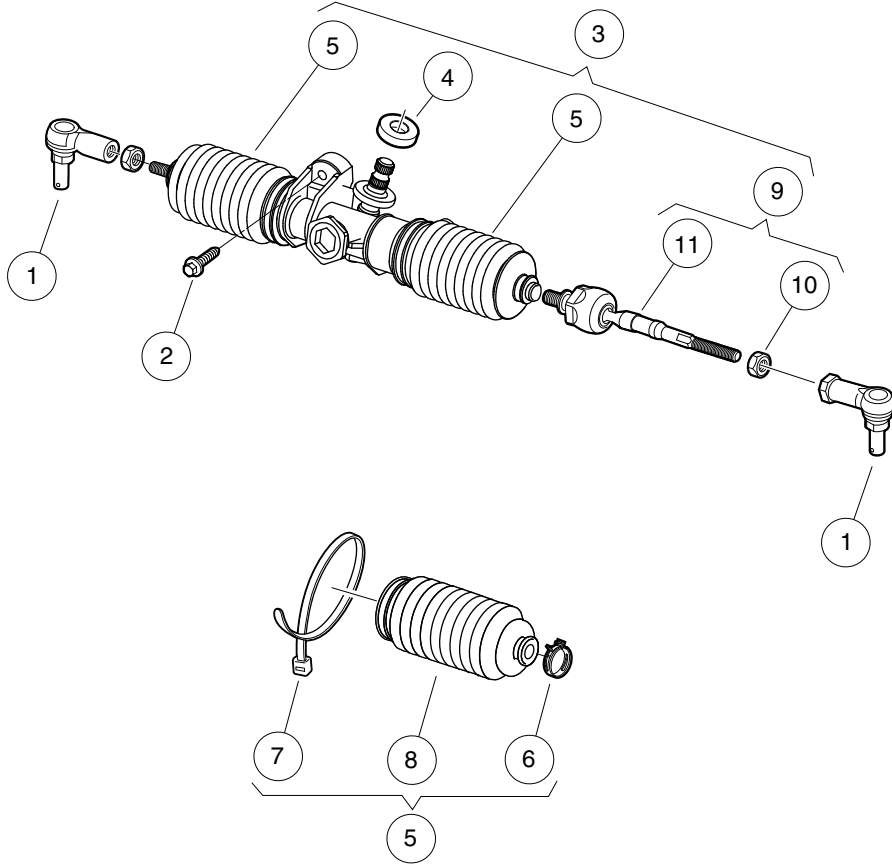
000469-007

STEERING COLUMN

ITEM	PART NO.	DESCRIPTION	QTY
		1 2 3 4	
1	102290120	Bolt, M10 X 20 Hex Washer Hd	1
2	102298116	Bolt, Flanged Head, M8 X 16.0	4
3	102298130	Bolt, Flange Head, M8 X 30.0	1
4	105049001	Kit, Inner Steering Clmn (includes item 5)	1
5	105068601	Asm, Column, Inner (includes item 6)	1
6	103810201	Kit, Lower Yoke, Wanda (includes item 7)	1
7	102298130	Bolt, Flange Head, M8 X 30.0	1

6
G
E

6
G
E



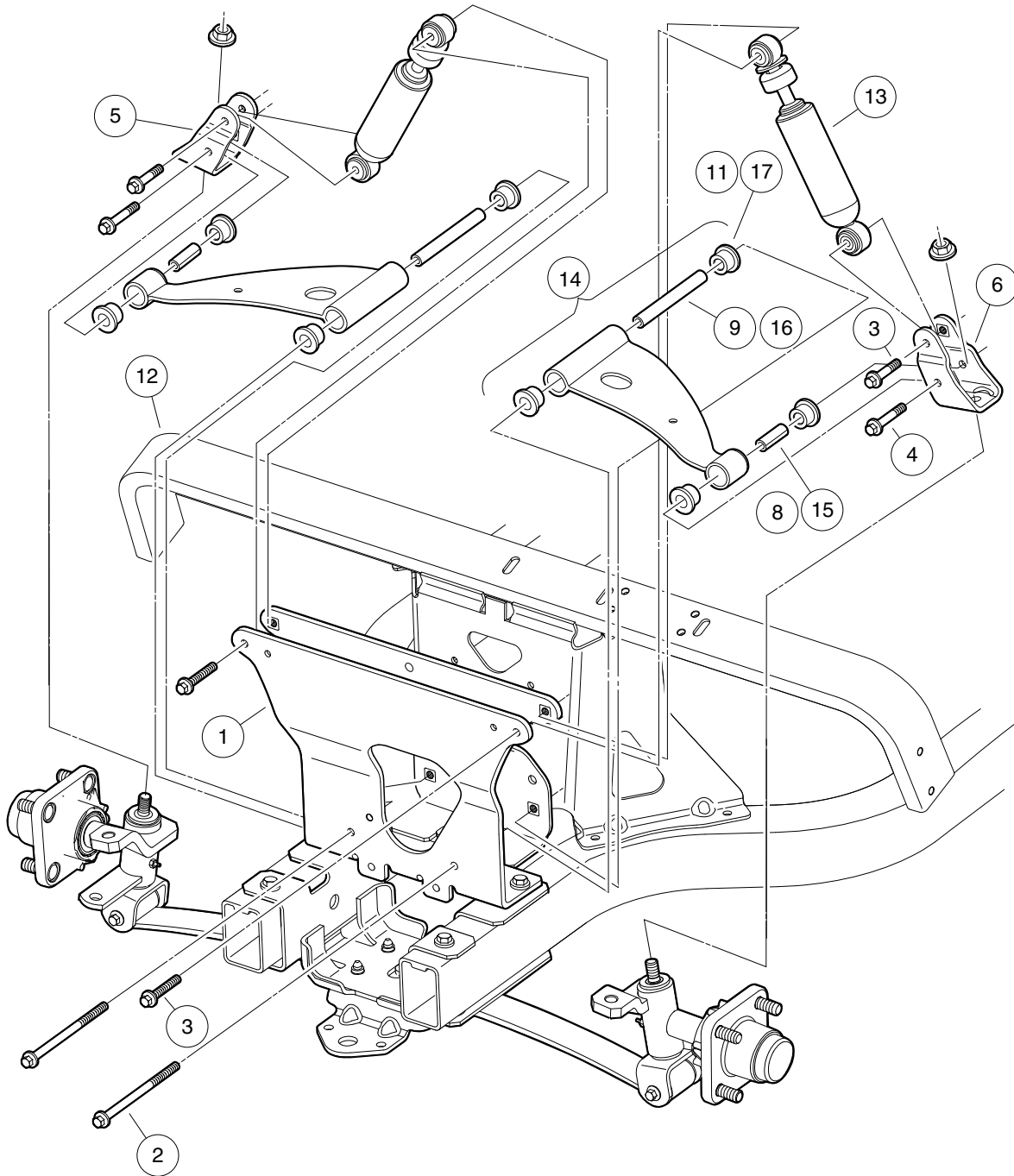
000476-005

STEERING GEAR ASSEMBLY

ITEM	PART NO.	DESCRIPTION	QTY
		1 2 3 4	
1	102022601	End, Tie Rod M12 X 1.25 Rh	2
2	102289001	Screw, M8X1.25X30, Hex	3
3	103679701	Asm, Rack & Pinion (includes items 4 through 9)	1
4	102565201	Seal, Dust, Steering Pinion	1
5	103826201	Bellow Kit, Steering-sona (includes items 6 through 8)	2
6	102566001	Clip, Steering	1
7	8990	Tie Wrap, 8" Nylon	1
8	N/A	Bellows	1
9	103826301	Kit, IBJ (Inner Ball Joint), Steering-sona (includes items 10 and 11)	2
10	1013042	Nut, 12mm Hex	1
11	N/A	Inner Ball Joint	1

6
G
E

6
G
E



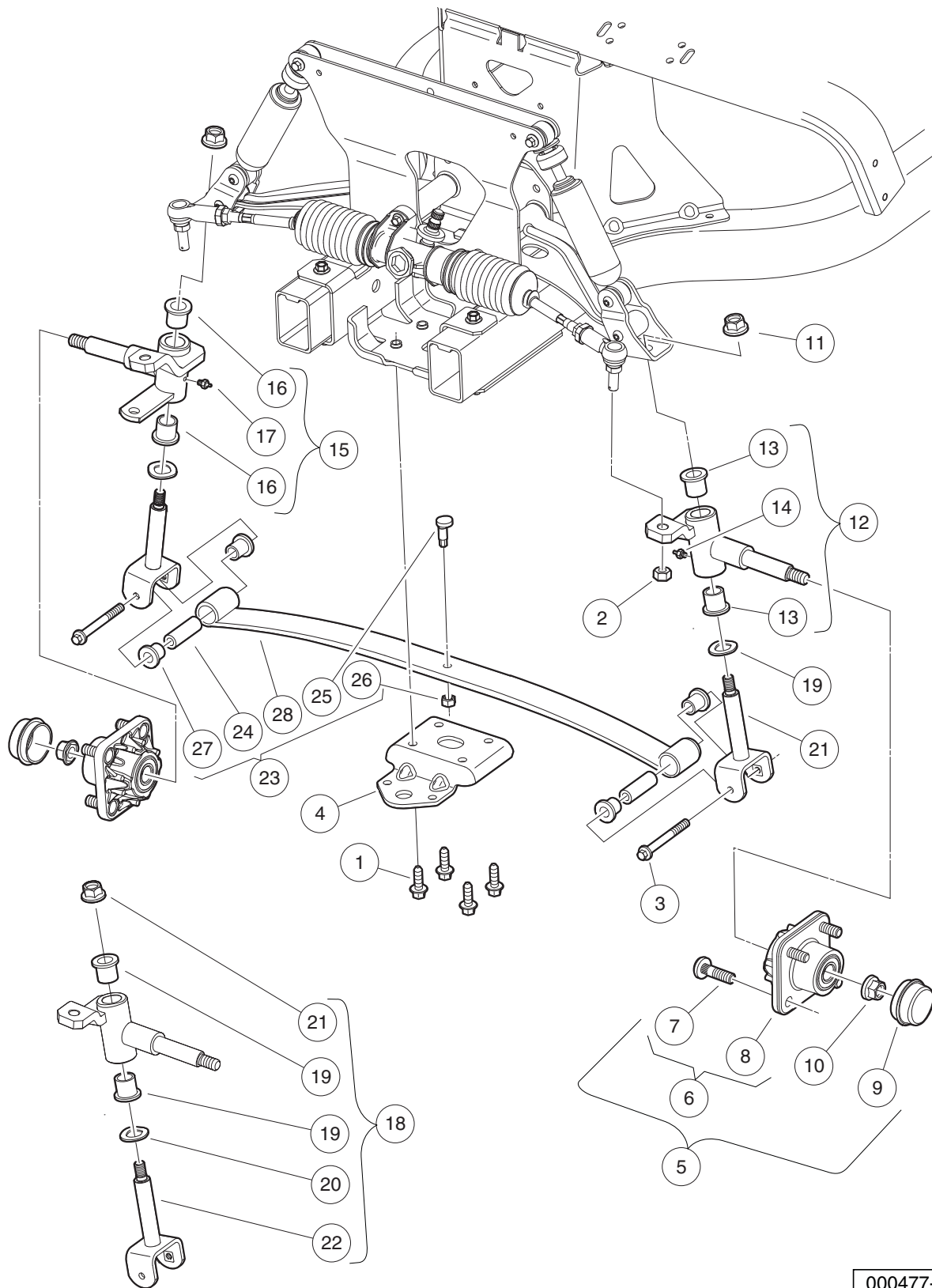
000445-005

FRONT SUSPENSION, UPPER

ITEM	PART NO.	DESCRIPTION	QTY
		1 2 3 4	
1	102287101	Assembly - Front Structure	1
2	102288901	Bolt, Hex, M8x1.25 X 135	2
3	102289401	Screw- Hex Cap, M8 X 1.25 X 45	4
4	102289501	Screw- Hex Cap, M8 X 1.25 X 70	2
5	102289601	Upper Clevis Assembly, Passenger-side	1
6	102289701	Upper Clevis Assembly, Driver-side	1
7	102289901	Kit, Susp, Bushing Joints (includes items 8 through 11)	1
8	102287601	Sleeve - Rolled, Outer	2
9	102287701	Sleeve - Rolled, Inner	2
10	102288101	Sleeve - Rolled, Spring	2
11	102956201	Bushing, Urethane, Short	12
12	102505701	Assembly, Dash Support	1
13	102588601	Shock Absorber Front	2
14	103388501	Asm, 3 Piece A-arm, Bushings (includes items 15 through 17)	2
15	102287601	Sleeve - Rolled, Outer	1
16	102287701	Sleeve - Rolled, Inner	1
17	102956201	Bushing, Urethane, Short	4
		Note: Item 7 (not shown) includes bushings and sleeves for control arms and front suspension leaf spring. See lower suspension page for illustration of item 10 (not shown).	

6
G
E

6
G
E



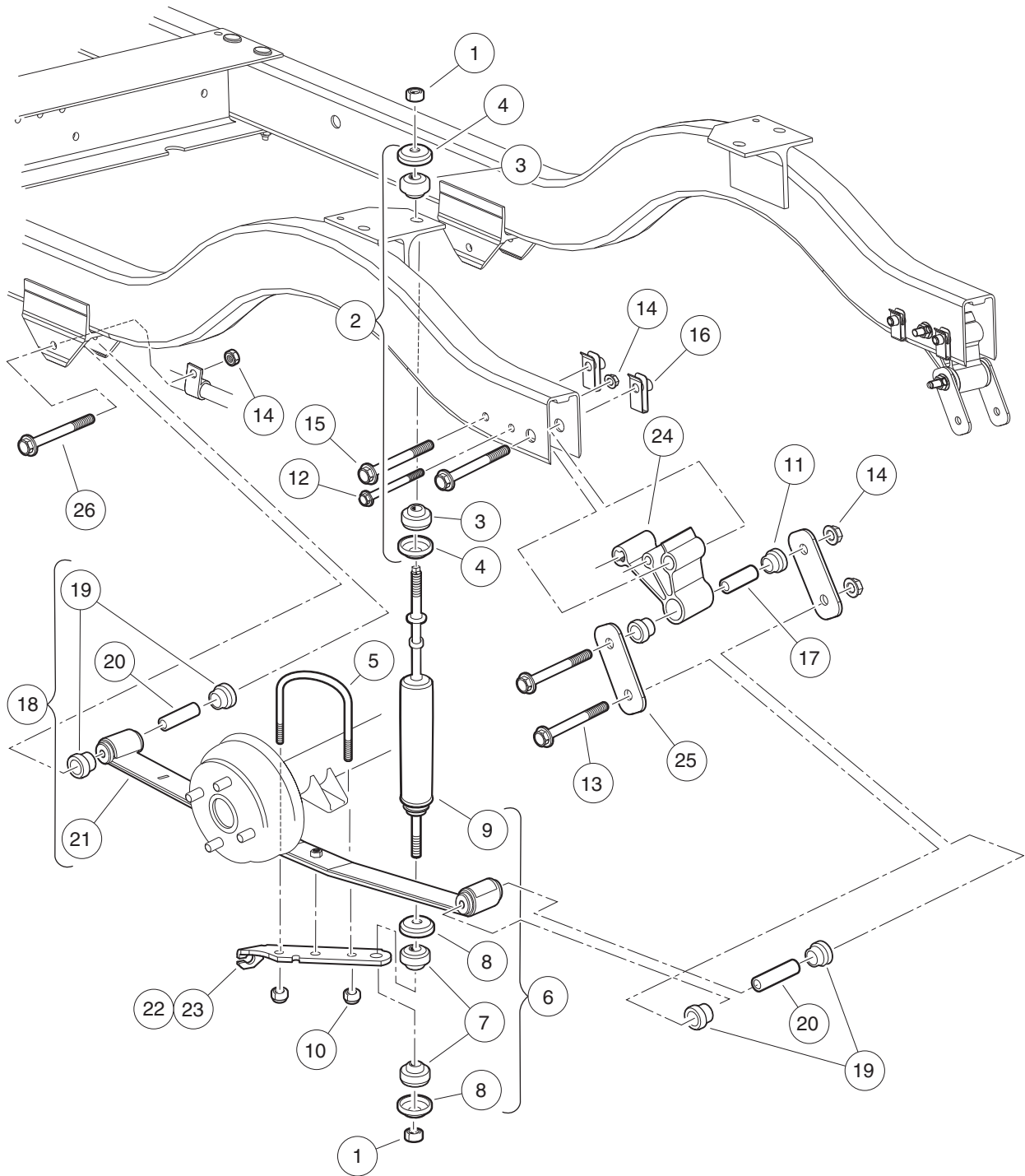
000477-009

FRONT SUSPENSION, LOWER

ITEM	PART NO.	DESCRIPTION	QTY
		1 2 3 4	
1	102289101	Screw-m10x1.5, Trilob, Hex Fl	4
2	102289201	Nut - Hex Locking, M12 X 1.25	2
3	102289501	Screw- Hex Cap, M8 X 1.25 X 70	2
4	102289801	Clamp - Leaf Spring	1
5	102357701	Replacement Kit, Front Hub (includes items 6 through 10)	1
6	N/A	Front Hub Assembly, Ball Bearing (includes items 7 and 8)	1
7	102353401	Lug Stud, 1/2-20 UNF, 4037 Stl	4
8	N/A	Hub, Front	1
9	102353201	Cap, Front Hub	1
10	102353301	Hex Nut, Locking Flange, M14x2	1
11	102878201	Nut, Lock,m12,washer,conical	2
12	103638701	Asm, Spindle, with Bushings, Driver-side (includes items 13 and 14)	1
13	102288201	Bushing - Flanged	2
14	N/A	Fitting, Grease, Knuckle Spindle Asym	1
15	103638702	Asm, Spindle, with Bushings, Passenger-side (includes items 16 and 17)	1
16	102288201	Bushing - Flanged	2
17	N/A	Fitting, Grease, Knuckle Spindle Asym	1
18	103638801	Kit, King Pin Joints (includes items 19 through 22)	1
19	102288201	Bushing - Flanged	4
20	102288401	Wave Washer - Kingpin	2
21	102878201	Nut, Lock,m12,washer,conical	2
22	103638601	Asm, King Pin, M12	2
23	103935601	Asm, Spring, Leaf, Front, 50.4 (includes items 24 through 28)	1
24	102288101	Sleeve - Rolled, Spring	2
25	102288701	Eccentric Bolt	1
26	102288801	Nut-hex, 3/8-16	1
27	102956201	Bushing, Urethane, Short	2
28	105187901	Spring, Leaf, Front, 50.4	1

6
G
E

6
G
E



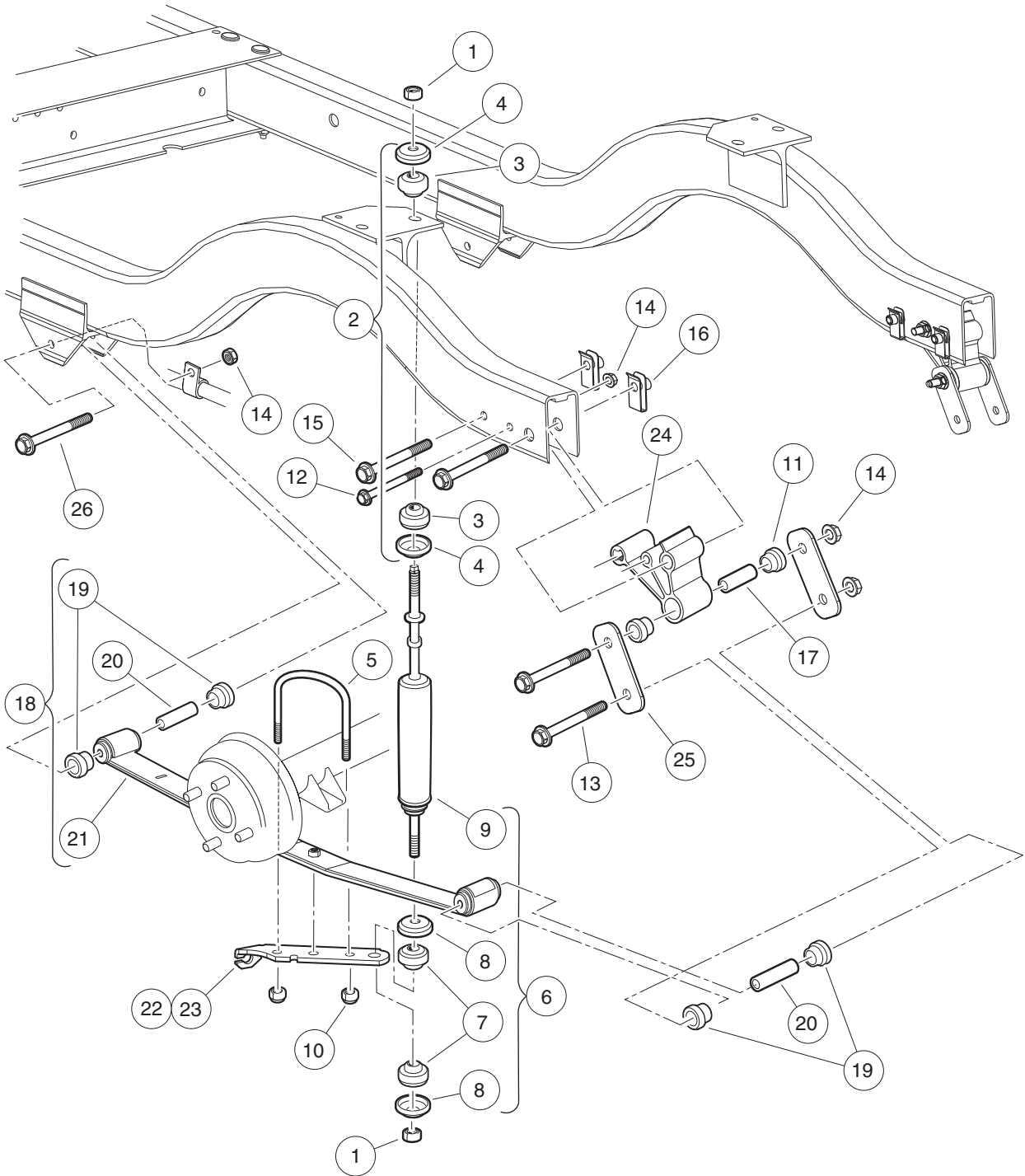
000446-005

REAR SUSPENSION, GASOLINE VEHICLE

ITEM	PART NO.	DESCRIPTION	QTY
		1 2 3 4	
1	1010145	Nut, 3/8-24 Hex	4
2	1011415	Kit, Shock Absorber Cushion (includes items 3 and 4)	2
3	N/A	Retainer, Shock Absorber Cushion	2
4	47579096001	Isolator, Shock Damper	2
5	1012180	U-Bolt	2
6	1013164	Shock Absorber Kit (includes items 7 through 9)	1
7	N/A	Cushion, Shock Absorber	8
8	N/A	Retainer, Shock Absorber Cushion	8
9	102588501	Shock Absorber, Rear	2
10	1014555	Locknut, 7/16-14 Nylon Hex	4
11	1015583	Bushing, Urethane	4
12	102298170	Bolt - Flange Hd, M8 X 70.0	2
13	102298175	Bolt - Flange Hd, M8 X 75.0	2
14	102298401	Nut,m8,all Metal Lock	8
15	102298580	M8-1.25 X 80 Sems	4
16	102298601	J-clip - M8 X 1.25	4
17	102506401	Sleeve - Spring Eye Mounts	2
18	103742305	Asm, Rear Leaf Spring, Light (includes items 19 through 21)	2
19	101558302	Bushing, Urethane, Soft	4
20	102506401	Sleeve - Spring Eye Mounts	2
21	N/A	Leaf Spring, Rear, Light	1
22	103921601	Bracket, Shock Mounting, Drv	1
23	103921602	Bracket, Shock Mounting, Pas	1
24	103964901	Spacer, Rail, Shackle	2
25	103965001	Brkt, Shackle, Rear	4
26	105188185	Bolt, M8 X 85mm, 10.9 Grade	4

6
G
E

6
G
E



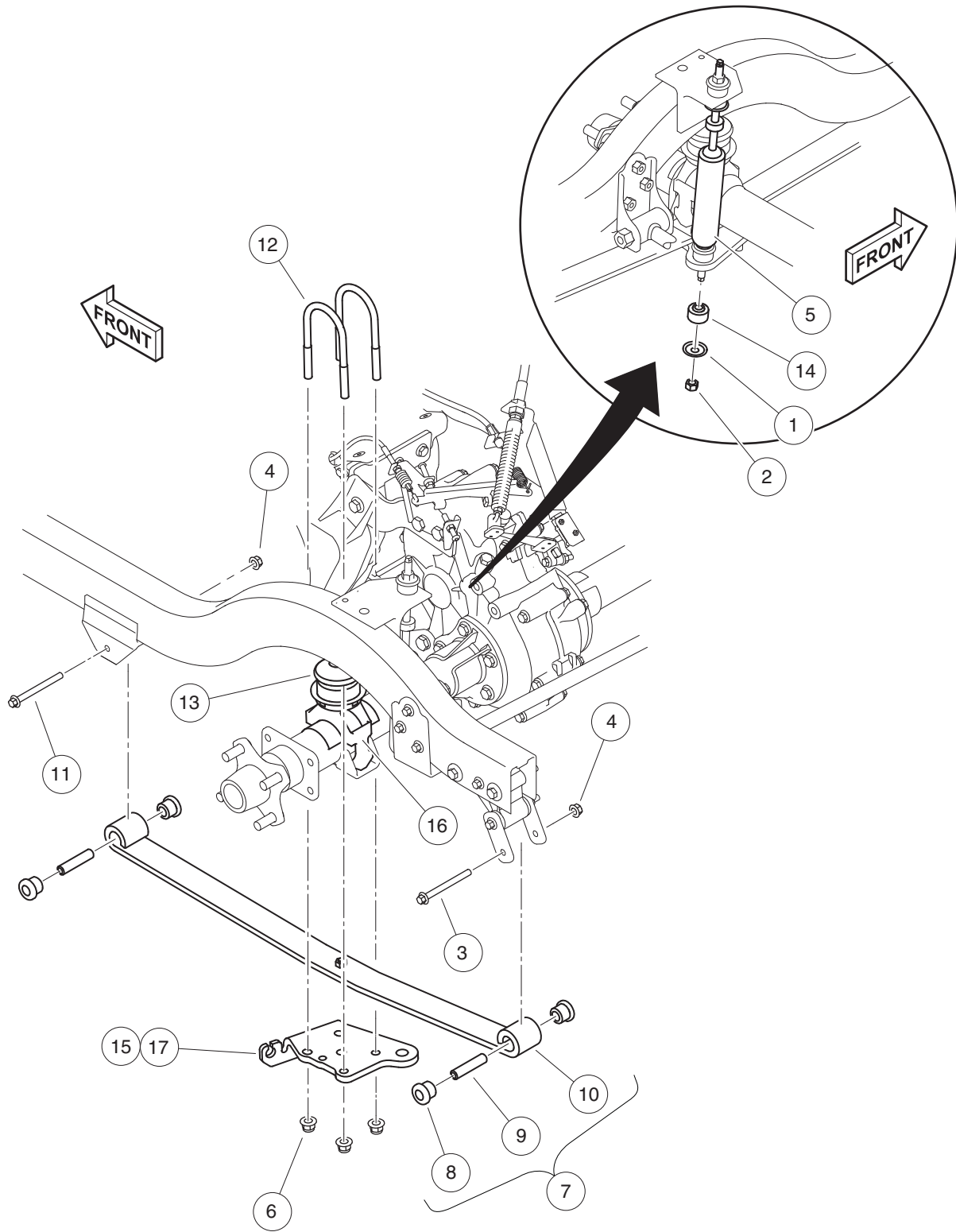
000446-005

REAR SUSPENSION, ELECTRIC VEHICLE

ITEM	PART NO.	DESCRIPTION	QTY
		1 2 3 4	
1	1010145	Nut, 3/8-24 Hex	4
2	1011415	Kit, Shock Absorber Cushion (includes items 3 and 4)	2
3	N/A	Retainer, Shock Absorber Cushion	2
4	47579096001	Isolator, Shock Damper	2
5	1012180	U-Bolt	2
6	1013164	Shock Absorber Kit (includes items 7 through 9)	1
7	N/A	Cushion, Shock Absorber	8
8	N/A	Retainer, Shock Absorber Cushion	8
9	102588501	Shock Absorber, Rear	2
10	1014555	Locknut, 7/16-14 Nylon Hex	4
11	1015583	Bushing, Urethane	4
12	102298170	Bolt - Flange Hd, M8 X 70.0	2
13	102298175	Bolt - Flange Hd, M8 X 75.0	2
14	102298401	Nut,m8,all Metal Lock	8
15	102298580	M8-1.25 X 80 Sems	4
16	102298601	J-clip - M8 X 1.25	4
17	102506401	Sleeve - Spring Eye Mounts	2
18	103742304	Asm, Rear Leaf Spring, Std (includes items 19 through 21)	2
19	101558302	Bushing, Urethane, Soft	4
20	102506401	Sleeve - Spring Eye Mounts	2
21	N/A	Leaf Spring, Rear, Std	1
22	103921601	Bracket, Shock Mounting, Drv	1
23	103921602	Bracket, Shock Mounting, Pas	1
24	103964901	Spacer, Rail, Shackle	2
25	103965001	Brkt, Shackle, Rear	4
26	105188185	Bolt, M8 X 85mm, 10.9 Grade	4

6
G
E

6
G
E



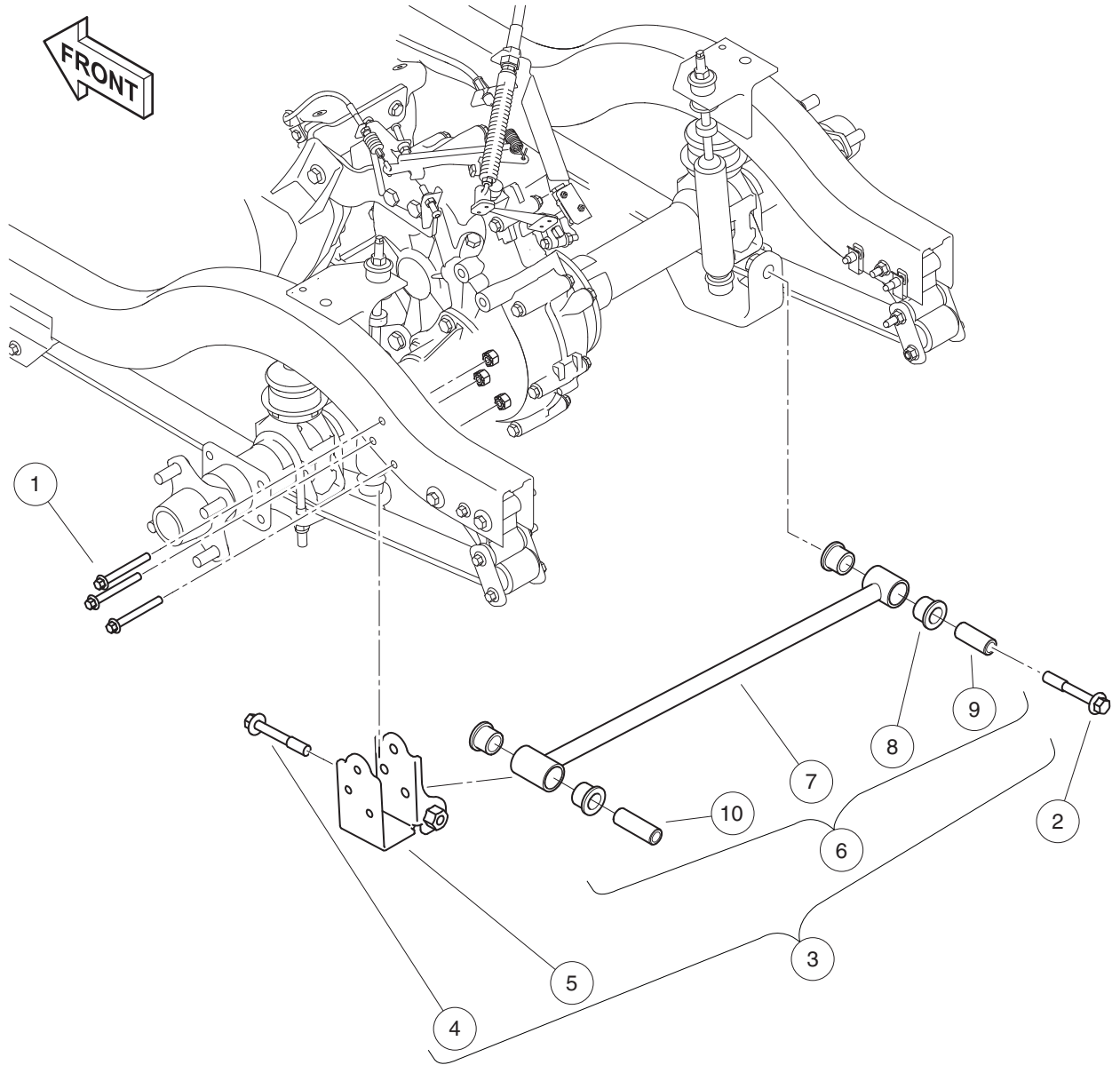
001396-001

REAR SUSPENSION, GASOLINE 4-PASSENGER – CONSUMER

ITEM	PART NO.	DESCRIPTION	QTY
		1 2 3 4	
1	N/A	Retainer, Shock Absorber Cushion	8
2	1010145	Nut, 3/8-24 Hex	4
3	102298175	Bolt - Flange Hd, M8 X 75.0	2
4	102298401	Nut,m8,all Metal Lock	4
5	102588501	Shock Absorber, Rear	2
6	102670701	Nut, Flange, M10 X 1.5 Nylon	8
7	103742304	Asm, Rear Leaf Spring, Std (includes items 8 through 10)	2
8	101558302	Bushing, Urethane, Soft	4
9	102506401	Sleeve - Spring Eye Mounts	2
10	N/A	Leaf Spring, Rear, Std	1
11	105188185	Bolt, M8 X 85mm, 10.9 Grade	2
12	105188701	U-bolt, M10x1.5x58	4
13	47576196001	Bumper, Jounce, D-255828	2
14	47579096001	Isolator, Shock Damper	8
15	47583665001	Bracket, U-bolt, with Panhard Mount, Passenger-side	1
16	47583666001	Bracket, Perch, Bumper, Jounce	2
17	47583912001	Bracket, U-bolt, Driver-side	1

6
G
E

6
G
E



001392-001

PANHARD ROD

ITEM	PART NO.	DESCRIPTION	QTY
		1 2 3 4	
1	102298170	Bolt - Flange Hd, M8 X 70.0	3
2	103146501	Bolt, Flg, M12 X 1.75 X 80	1
3	47577865001	Assy, Panhard and Frame Rail Bracket (includes items 4 through 6)	1
4	103146501	Bolt, Flg, M12 X 1.75 X 80	1
5	47576649001	Bkt, Frame Rail, Panhard	1
6	47577864001	Asm, Rod, Panhard (includes items 7 through 10)	1
7	47576650001	Assy, Weldment, Panhard	1
8	47576651001	Bushing, Slip, 3390000-160802	4
9	47576652001	Sleeve, Bushing, Panhard, Short	1
10	47576652002	Sleeve, Bushing, Panhard, Long	1

6
G
E

6

G

E

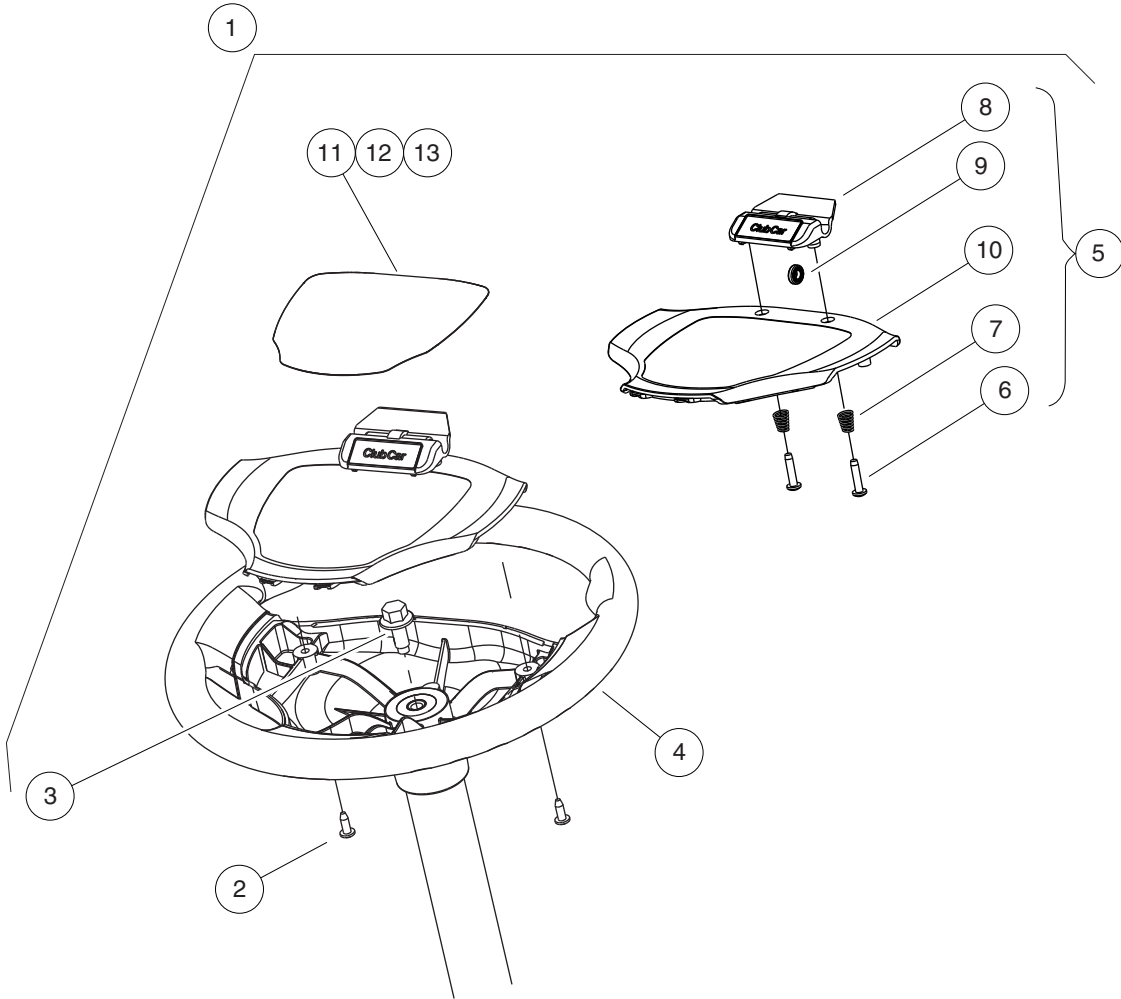
STEERING, FRONT AND REAR SUSPENSION – LIFTED

7

G

E

7
G
E



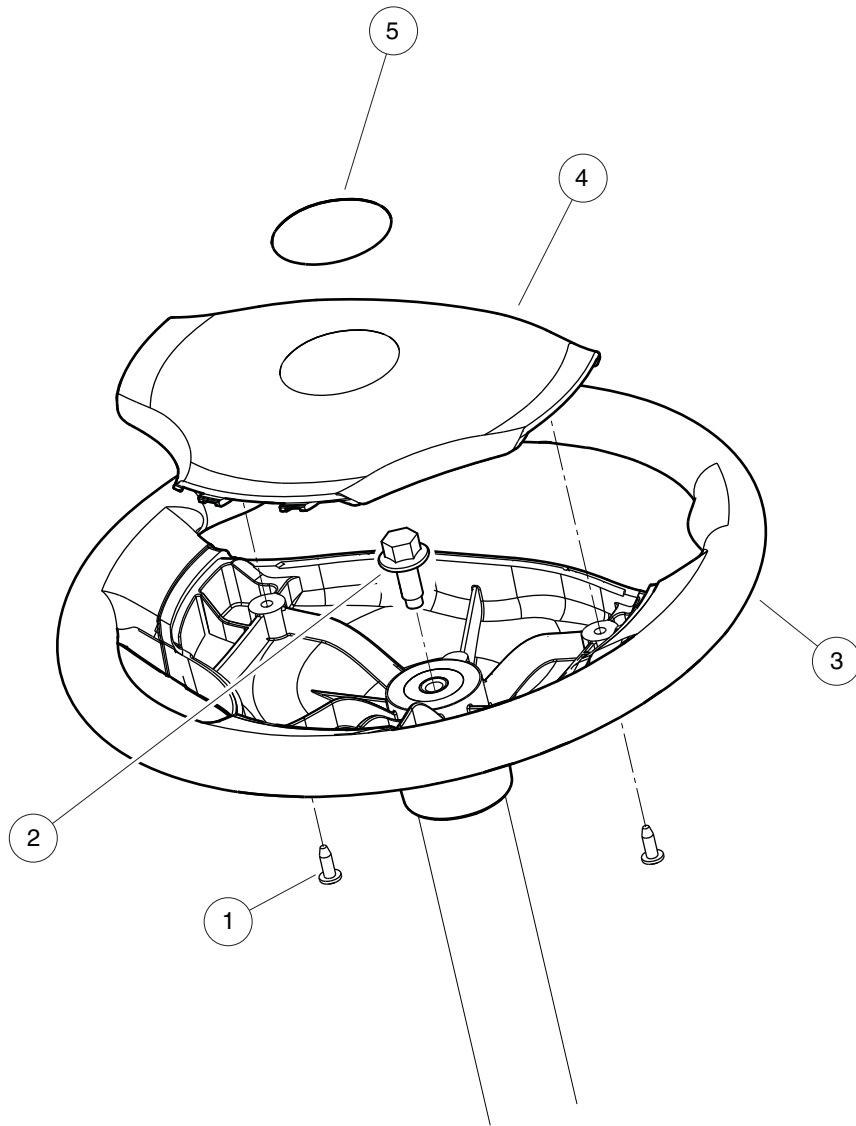
000470-002

STEERING WHEEL, COMFORT GRIP WITH CLIP

ITEM	PART NO.	DESCRIPTION	QTY
		1 2 3 4	
1	103796701	Kit, Hex, Steering Wheel (includes items 2 through 13)	1
2	101850301	Screw, #12-16 X 0.50 Washer-Head Hi-Lo	2
3	102290120	Bolt, M10 X 20 Hex Washer Hd	1
4	103724503	Steering Wheel, Soft Grip, Hex	1
5	103724901	Asm, Scorecard, Clip (includes items 6 through 10)	1
6	1012565	Screw, #12 Phillips Round Head	2
7	1012566	Tapered Compression Spring	2
8	1016154	Clip, Scorecard	1
9	1016214	Pencil Grip	1
10	103724601	Cover, Steering Wheel, Clip	1
11	103783001	Decal, Op Instr, Ele	1
12	103783002	Decal, Op Instr, Gas Ps	1
13	103783003	Decal, Op Instr, Gas Ks	1
<p>Note: Decal Item 13 is not used for Precedent vehicles.</p>			

7
G
E

7
G
E

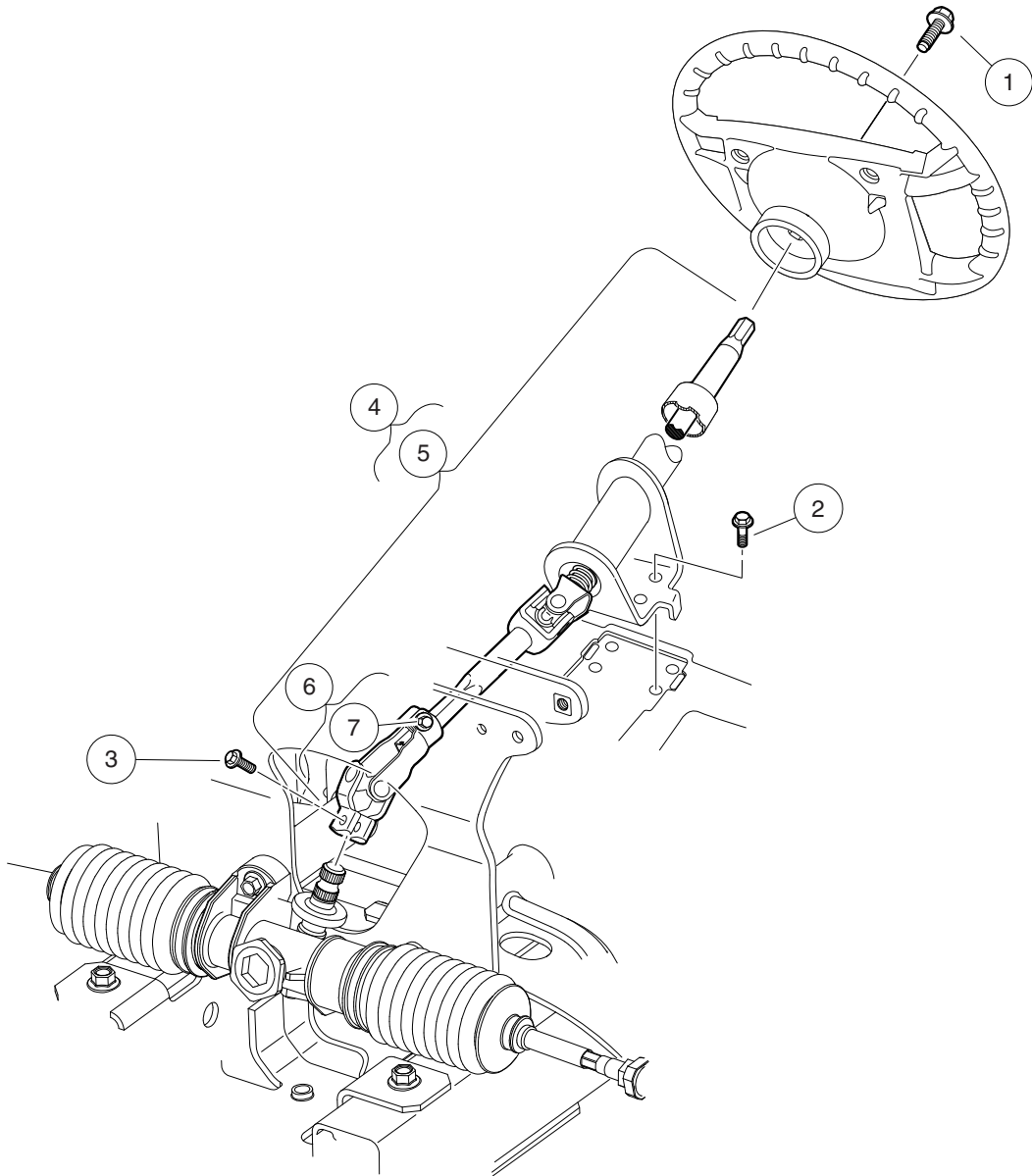


001389-001

STEERING WHEEL, COMFORT GRIP WITH LOGO

ITEM	PART NO.	DESCRIPTION	QTY
		1 2 3 4	
1	101850301	Screw, #12-16 X 0.50 Washer-Head Hi-Lo	2
2	102290120	Bolt, M10 X 20 Hex Washer Hd	1
3	103724503	Steering Wheel, Soft Grip, Hex	1
4	103724602	Cover, Steering Wheel, Generic	1
5	103829401	Logo, Cci, Steer Wheel	1

7
G
E

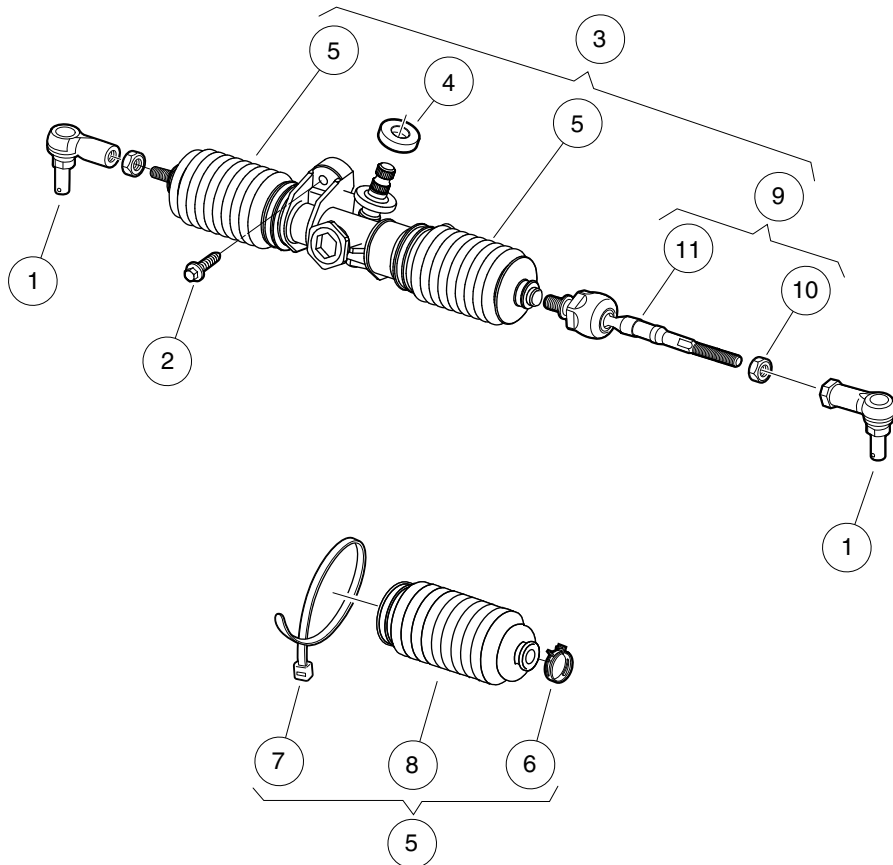


000469-007

STEERING COLUMN

ITEM	PART NO.	DESCRIPTION	QTY
		1 2 3 4	
1	102290120	Bolt, M10 X 20 Hex Washer Hd	1
2	102298116	Bolt, Flanged Head, M8 X 16.0	4
3	102298130	Bolt, Flange Head, M8 X 30.0	1
4	105049001	Kit, Inner Steering Clmn (includes item 5)	1
5	105068601	Asm, Column, Inner (includes item 6)	1
6	103810201	Kit, Lower Yoke, Wanda (includes item 7)	1
7	102298130	Bolt, Flange Head, M8 X 30.0	1

7
G
E



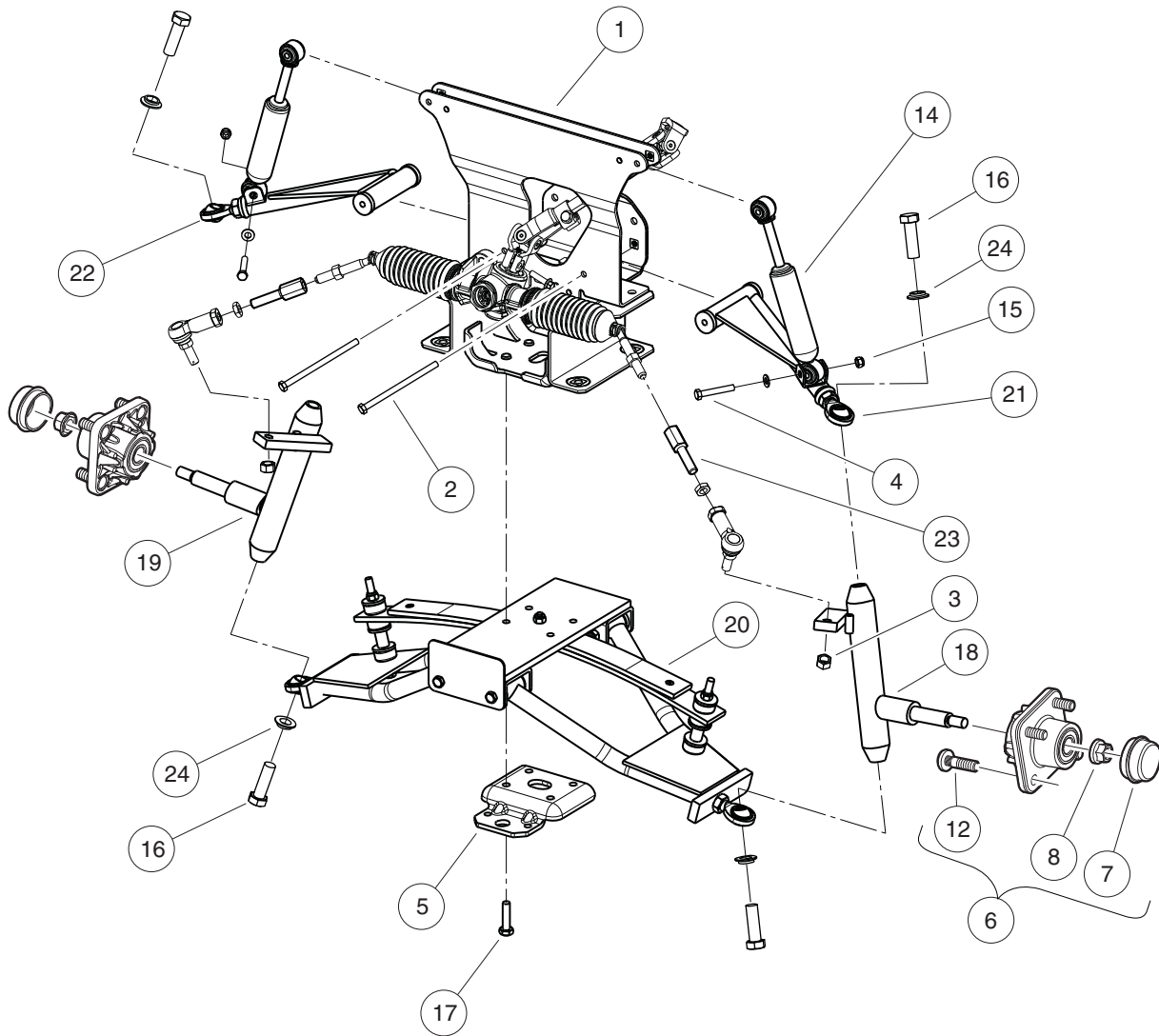
000476-005

STEERING GEAR ASSEMBLY

ITEM	PART NO.	DESCRIPTION	QTY
		1 2 3 4	
1	102022601	End, Tie Rod M12 X 1.25 Rh	2
2	102289001	Screw, M8X1.25X30, Hex	3
3	103679701	Asm, Rack & Pinion (includes items 4 through 9)	1
4	102565201	Seal, Dust, Steering Pinion	1
5	103826201	Bellow Kit, Steering-sona (includes items 6 through 8)	2
6	102566001	Clip, Steering	1
7	8990	Tie Wrap, 8" Nylon	1
8	N/A	Bellows	1
9	103826301	Kit, IBJ (Inner Ball Joint), Steering-sona (includes items 10 and 11)	2
10	1013042	Nut, 12mm Hex	1
11	N/A	Inner Ball Joint	1

7
G
E

7
G
E



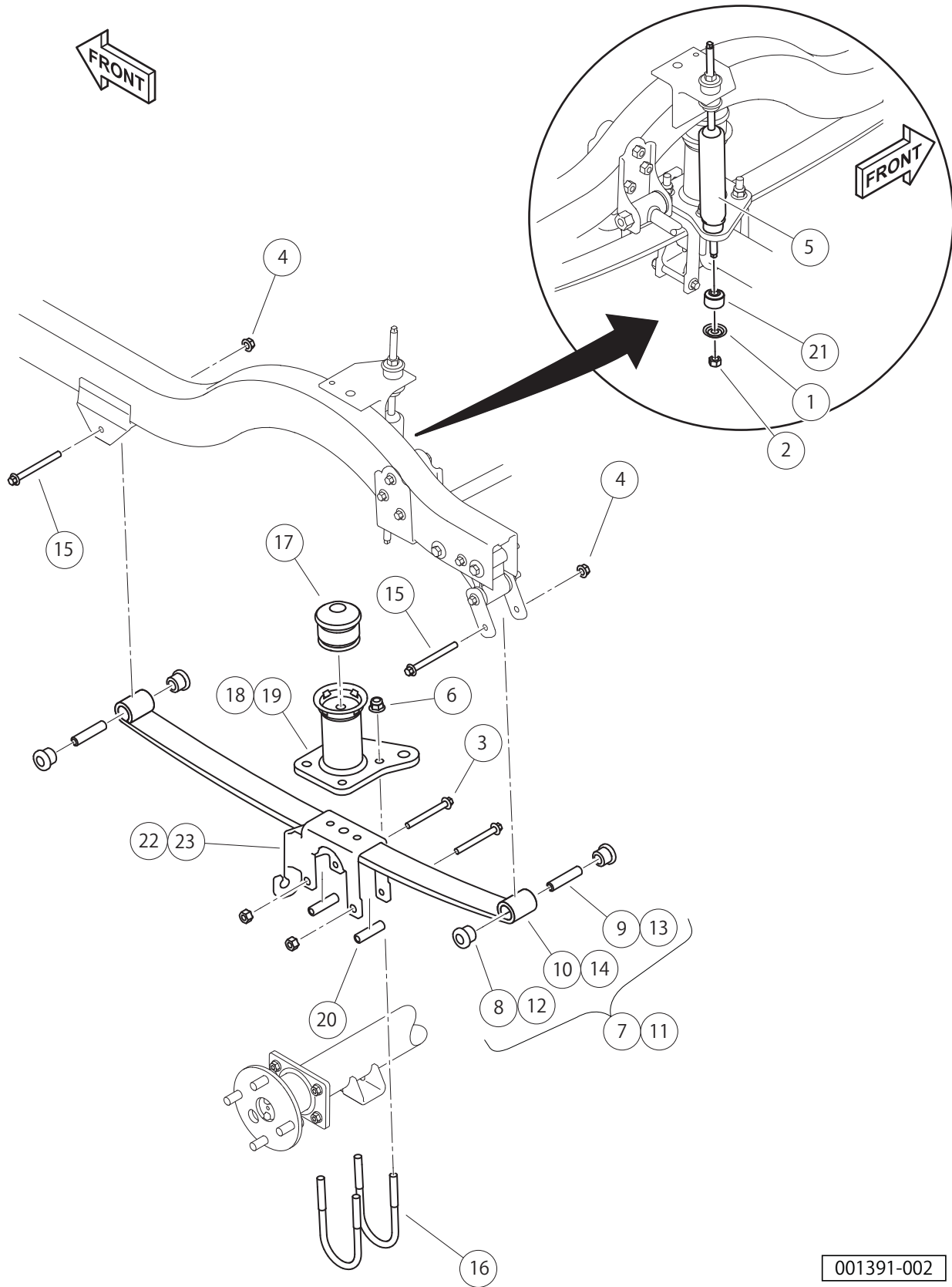
001390-001

FRONT SUSPENSION, LIFTED

ITEM	PART NO.	DESCRIPTION	QTY
		1 2 3 4	
1	102287101	Assembly - Front Structure	1
2	102288901	Bolt, Hex, M8x1.25 X 135	2
3	102289201	Nut - Hex Locking, M12 X 1.25	2
4	102289401	Screw- Hex Cap, M8 X 1.25 X 45	4
5	102289801	Clamp - Leaf Spring	1
6	102357701	Replacement Kit, Front Hub (includes items 7 through 9)	2
7	102353201	Cap, Front Hub	1
8	102353301	Hex Nut, Locking Flange, M14x2	1
9	N/A	Asm, Front Hub, Bb, Long Stud (includes items 10 through 13)	1
10	N/A	Bearing, Ball, 6204	2
11	N/A	Spacer, Bearing, Front Hub, Pm	1
12	103477901	Lug Stud, 1/2-20 Unf, 4037	4
13	N/A	Front Hub, Ball Brg, Long Stud	1
14	102588601	Shock Absorber Front	2
15	102618601	Lock Nut, Flange, M8 X 1.25 Nylon	2
16	47566405001	Screw, Hex 5/8"-18 X 2" Gr5 Zn	4
17	47566411001	Screw, Hhf M10-1.5 X 50 Trilob	4
18	AM1289701	Spindle, Driver-side	1
19	AM1289801	Spindle, Passenger-side	1
20	AM1289901	Lower A-arm Assembly	1
21	AM1290001	A-arm Assembly, Driver-side	1
22	AM1290101	A-arm Assembly, Passenger-side	1
23	AM1290201	Tie Rod Extension	2
24	AM1290501	Washer, Tapered, 5/8"	4

7
G
E

7
G
E



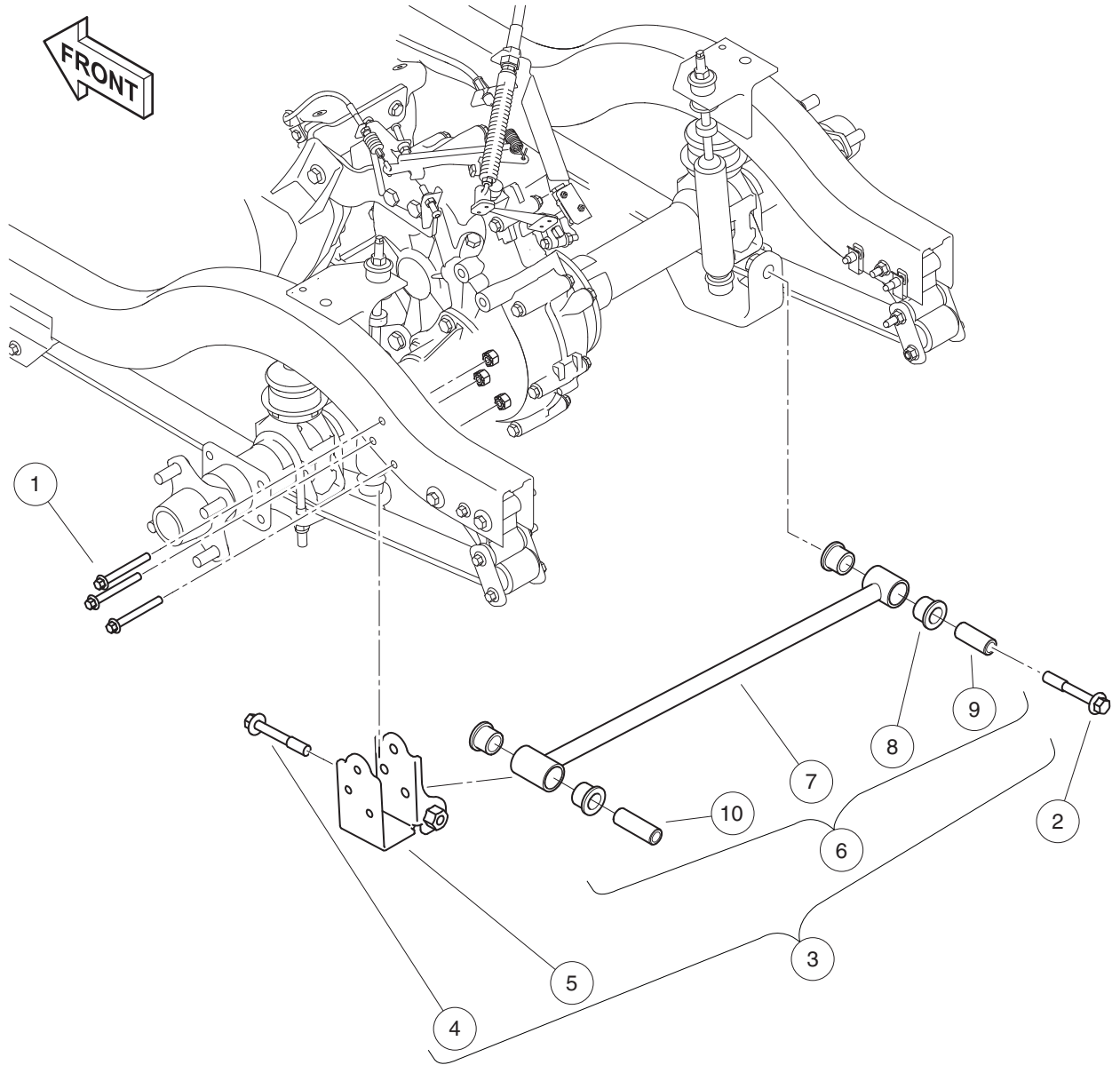
001391-002

REAR SUSPENSION, LIFTED

ITEM	PART NO.	DESCRIPTION	QTY
		1 2 3 4	
1	N/A	Retainer, Shock Absorber Cushion	8
2	1010145	Nut, 3/8-24 Hex	4
3	102298175	Bolt - Flange Hd, M8 X 75.0	4
4	102298401	Nut,m8,all Metal Lock	4
5	102588501	Shock Absorber, Rear	2
6	102670701	Nut, Flange, M10 X 1.5 Nylon	8
7	103742304	Asm, Rear Leaf Spring, Std (includes items 8 through 10)	2
8	101558302	Bushing, Urethane, Soft	4
9	102506401	Sleeve - Spring Eye Mounts	2
10	N/A	Leaf Spring, Rear, Std	1
11	103742307	Asm, Rear Leaf Spring, HD (includes items 12 through 14)	2
12	101558302	Bushing, Urethane, Soft	4
13	102506401	Sleeve - Spring Eye Mounts	2
14	103742207	Leaf Spring, Rear, HD	1
15	105188185	Bolt, M8 X 85mm, 10.9 Grade	4
16	105188701	U-bolt, M10x1.5x58	4
17	47576196001	Bumper, Jounce, D-255828	2
18	47576197001	Bracket, Bumper, Jounce, Driver-side	1
19	47576198001	Bracket, Bumper, Jounce, Passenger-side	1
20	47576648001	Sleeve, Perch, Spring	4
21	47579096001	Isolator, Shock Damper	8
22	47603899001	Brkt, Perch, Spring, Lh	1
23	47603900001	Brkt, Perch, Spring, Rh	1

7
G
E

7
G
E



001392-001

PANHARD ROD

ITEM	PART NO.	DESCRIPTION	QTY
		1 2 3 4	
1	102298170	Bolt - Flange Hd, M8 X 70.0	3
2	103146501	Bolt, Flg, M12 X 1.75 X 80	1
3	47577865001	Assy, Panhard and Frame Rail Bracket (includes items 4 through 6)	1
4	103146501	Bolt, Flg, M12 X 1.75 X 80	1
5	47576649001	Bkt, Frame Rail, Panhard	1
6	47577864001	Asm, Rod, Panhard (includes items 7 through 10)	1
7	47576650001	Assy, Weldment, Panhard	1
8	47576651001	Bushing, Slip, 3390000-160802	4
9	47576652001	Sleeve, Bushing, Panhard, Short	1
10	47576652002	Sleeve, Bushing, Panhard, Long	1

7
G
E

7

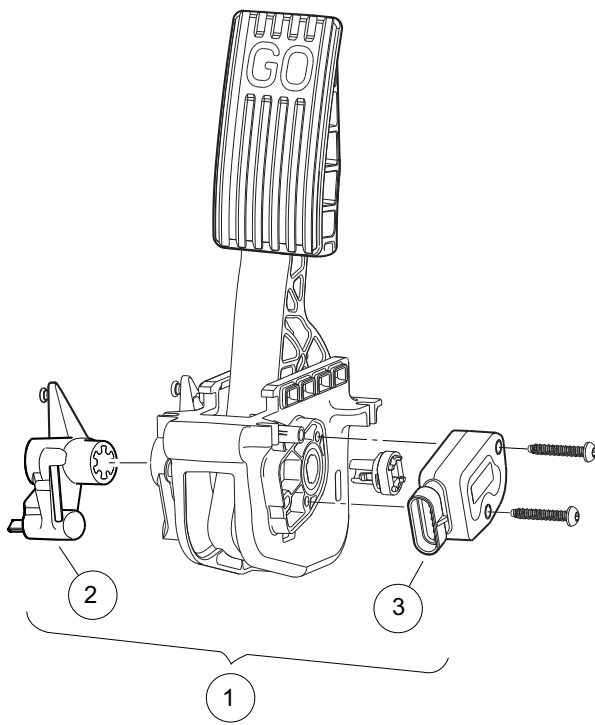
G

E

ELECTRICAL SYSTEM – SUBARU EX40

8

G



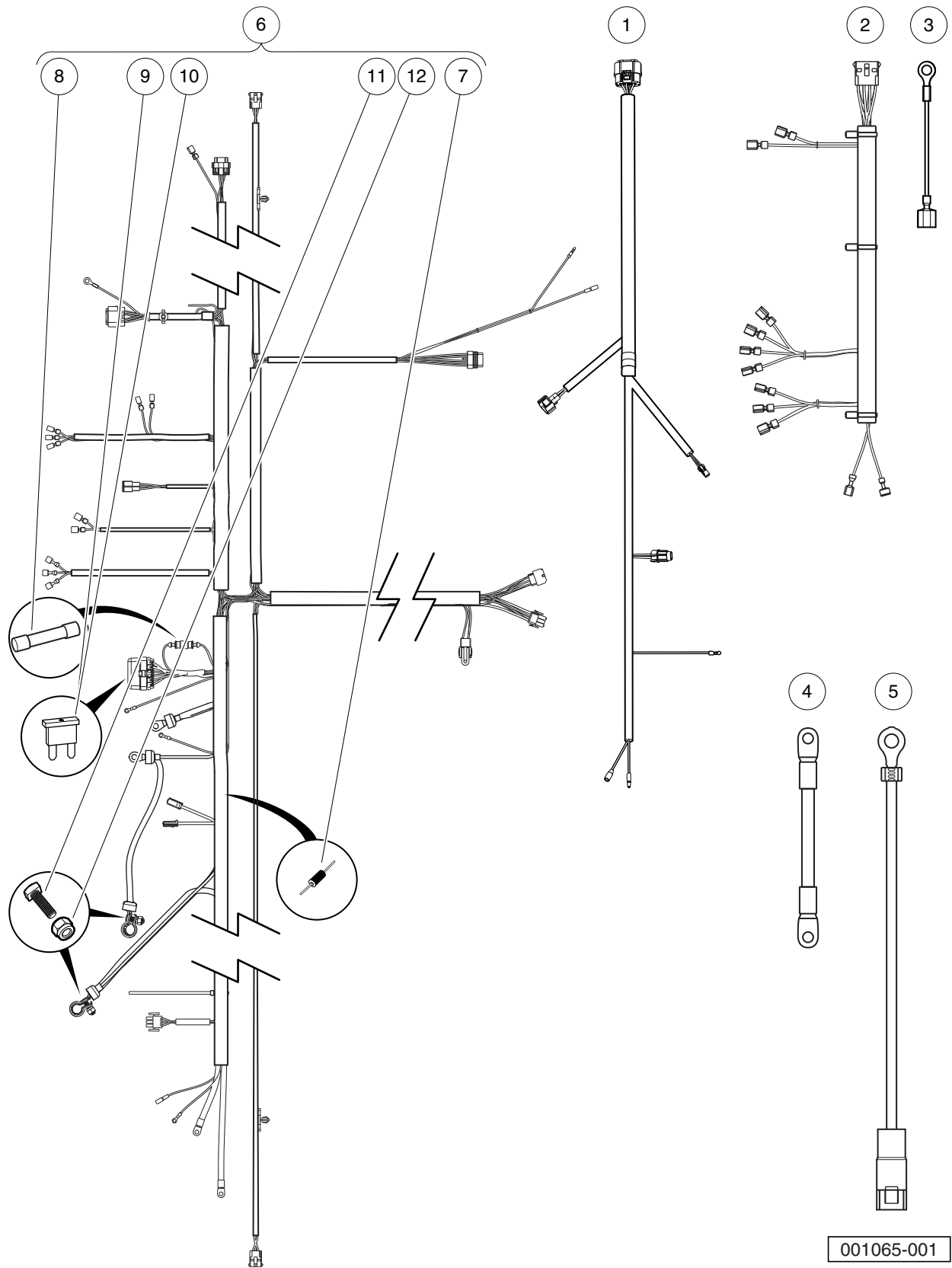
000487-012

ACCELERATOR PEDAL ASSEMBLY W/SENSOR – EFI

ITEM	PART NO.	DESCRIPTION	QTY
		1 2 3 4	
1	102595502	Asm, Accel. Pedal/Throttle, Anodized, Gas Vehicle (includes items 2 and 3)	1
2	103777601	Asm, Park Brake Release, Anodized	1
3	N/A	Throttle Sensor	1
<p>Note: For a complete Pedal Group, see section 5, Brakes and Pedal Group Assemblies.</p>			

8

G

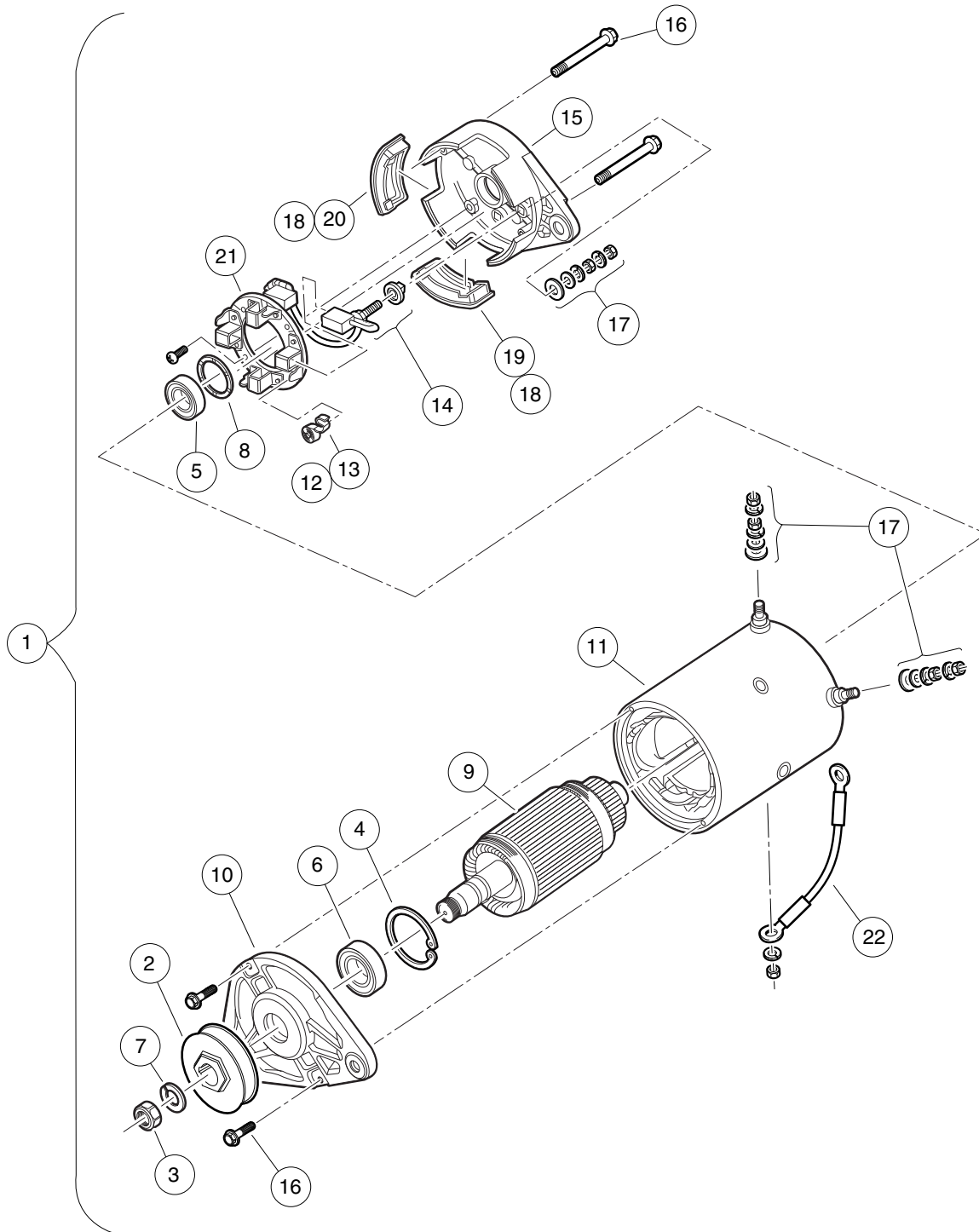


WIRING, FUSES AND ECU – CONSUMER CAR

ITEM	PART NO.	DESCRIPTION	QTY
		1 2 3 4	
1	105008101	Harness, Wire, ECU/Engine	1
2	105008301	Wire Harness, Dash	1
3	105143301	Wire, Ground, Fuel Tank	1
4	105161701	Wire, 4-Ga, Green, Starter/Generator	1
5	105228801	Wire, Ground, Engine	1
6	47568658001	Harness, Main, Start/stop (includes items 7 through 12)	1
7	1014789	Diode, General Purpose, 3.0-Amp	1
8	103924801	Fuse, Glass, 2-Amp	1
9	105081501	Fuse, ATM, 5-Amp	1
10	105081601	Fuse, ATM, 10-Amp	1
11	105255501	Bolt, Sqh 5/16-18x1	2
12	105255601	Nut, Colar Hex, 5/16-18	2

8

G

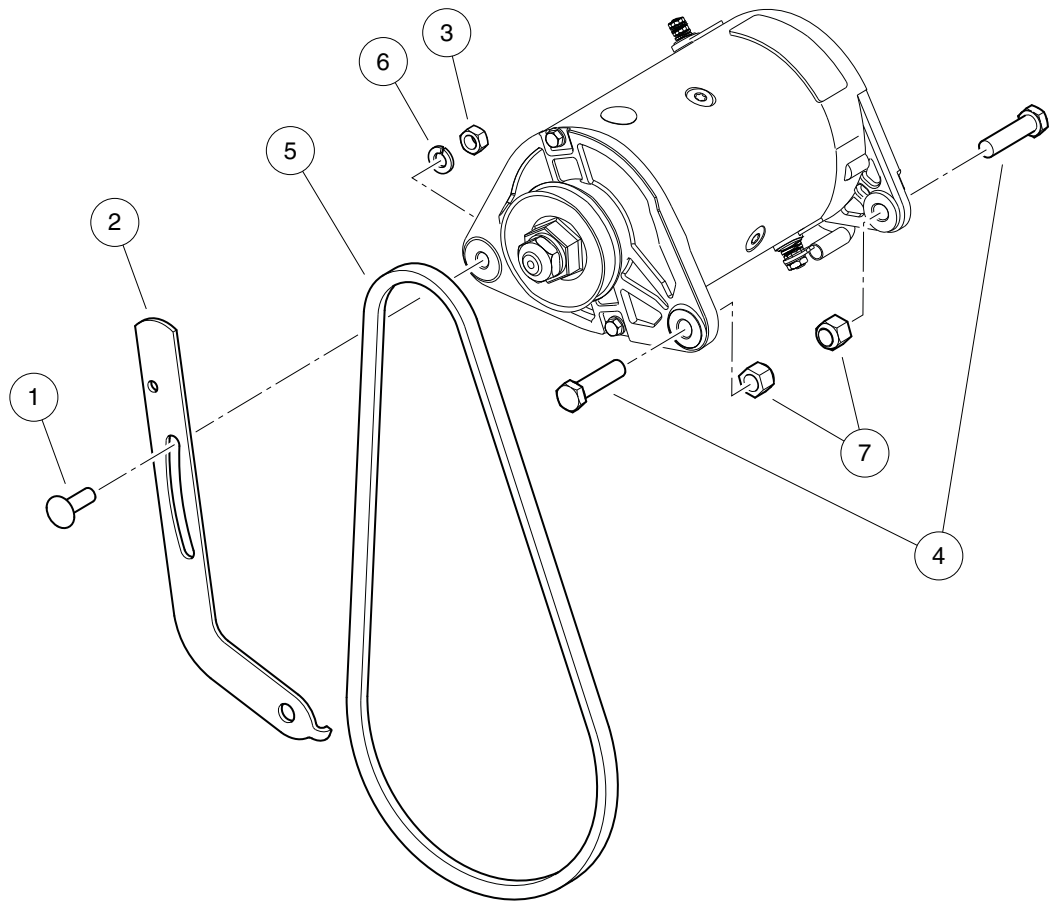


001016-001

STARTER/GENERATOR (MODEL 114-05-4001), PEDAL-START – EFI

ITEM	PART NO.	DESCRIPTION	QTY
		1 2 3 4	
1	105190101	Starter/Generator, High-Torque, Utility, Pedal-Start (includes items 2 through 22)	1
2	1014289	Pulley, Starter/Generator	1
3	102838701	Nut, Hex, M14x2, S/G	1
4	102838801	Retainer, Front, S/G	1
5	102838901	Bearing, Ball, Front, S-g	1
6	102839001	Bearing, Ball, Front, S-g	1
7	102839301	Washer, Lock M14x2, S-g	1
8	102841101	Washer, Wave, S-g	1
9	N/A	Asm, Armature, Starter/Generator	1
10	102844601	Head, Drive End, S-g	1
11	102844701	Asm, Frame and Field, Starter/Generator	1
12	103347101	Kit, Spring Brush, Starter/Generator (includes item 13)	1
13	N/A	Spring, Brush, S-g	4
14	103347301	Set, Brush Term, S-g	1
15	103347601	Head, Comm End, S-g	1
16	103347701	Set, Fastener, Ceh Deh, S-g	1
17	103347801	Set, Term Hardware, S/G	1
18	103347901	Kit, Cover, Brush Insp, Starter/Generator (includes items 19 and 20)	1
19	N/A	Plug, Rubber Drain, Start/Generator	3
20	N/A	Cover, Inspection, S-g	1
21	103953301	Kit, Brush And Brush Holder	1
22	105161701	Wire, 4-Ga, Green, Starter/Generator	1

8
G

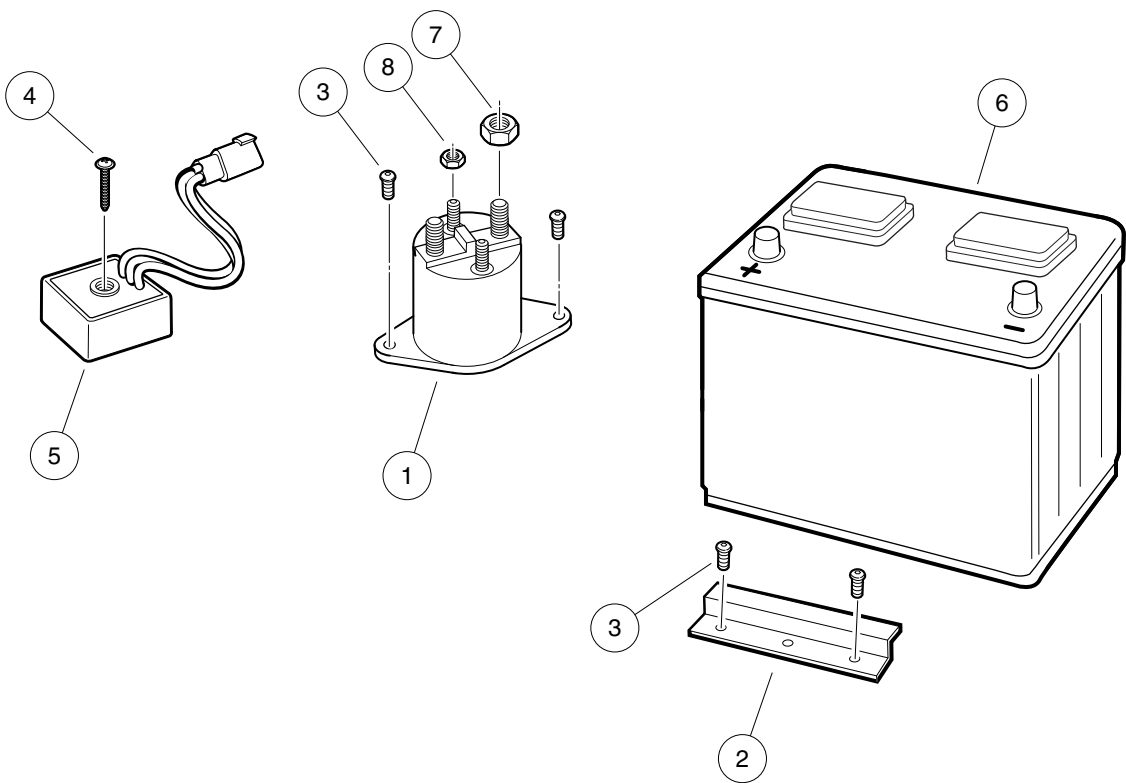


001009-002

STARTER/GENERATOR MOUNTING, EX40

ITEM	PART NO.	DESCRIPTION	QTY
		1 2 3 4	
1	1015932	Bolt, Carriage, 5/16-18	1
2	104005301	Bracket, Adjustable, Starter/Generator, EX40	1
3	1242	Nut, 5/16-18 Hex	1
4	1624	Screw, 3/8-16 X 1.50, Hex-Head Cap	2
5	47539338001	Belt, Sg, Ex40, #5a	1
6	7174	Lockwasher, 5/16 Split	1
7	8754	Locknut, 3/8-16 Hex	2

8
G



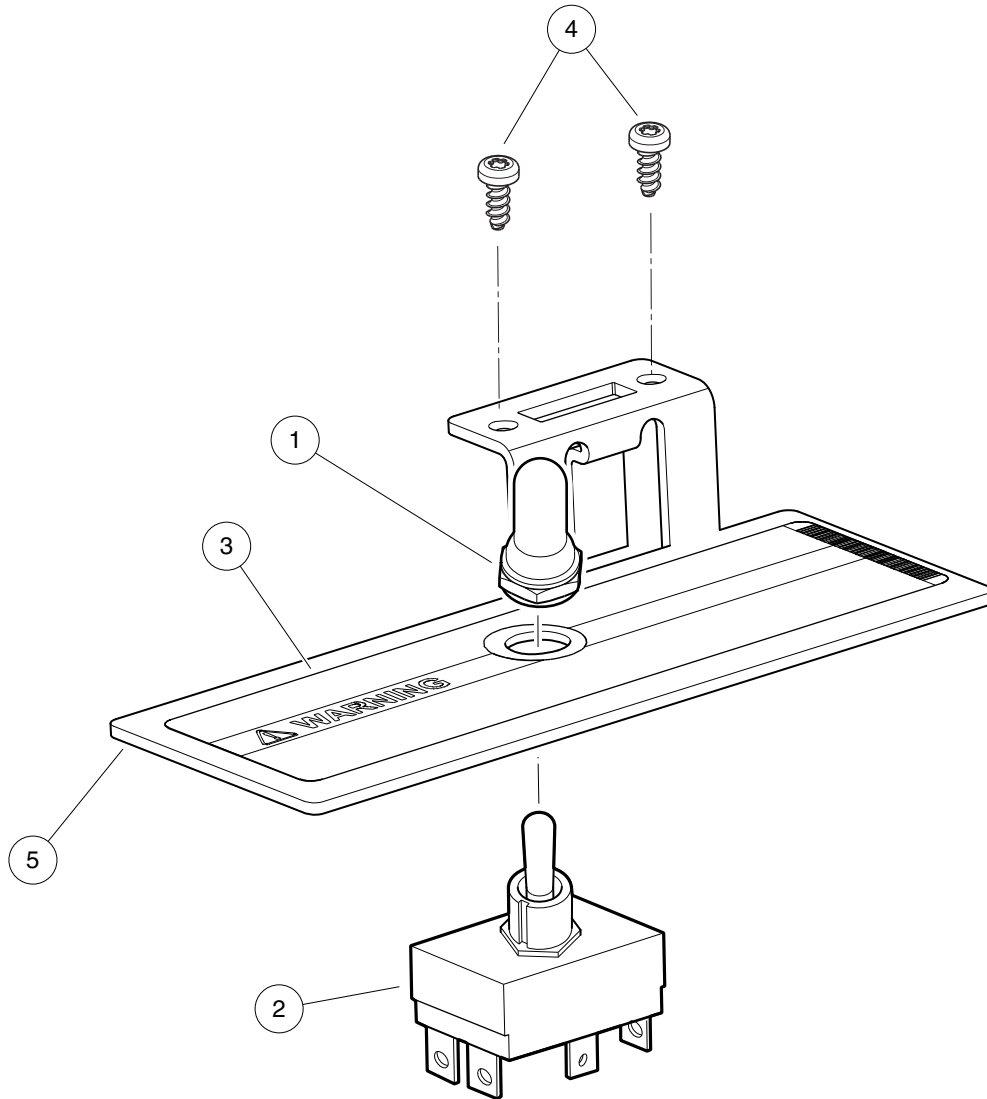
001067-001

TOP-POST BATTERY, SOLENOID, VOLTAGE REGULATOR – EFI

ITEM	PART NO.	DESCRIPTION	QTY
		1 2 3 4	
1	1013609	Solenoid, 12-Volt	1
2	101898001	Clamp, Battery	1
3	102296020	Screw, Torx Pan Hd Pt, M6 X 20	4
4	102296040	Screw, Torx Pan Hd Pt, M6 X 40	1
5	102803301	Asm, Voltage Regulator	1
6	105237399	Battery, Start, 12v, G 26, Sp	1
7	1242	Nut, 5/16-18 Hex	2
8	7893	Nut, #10-32 Hex	2

8

G



001058-001

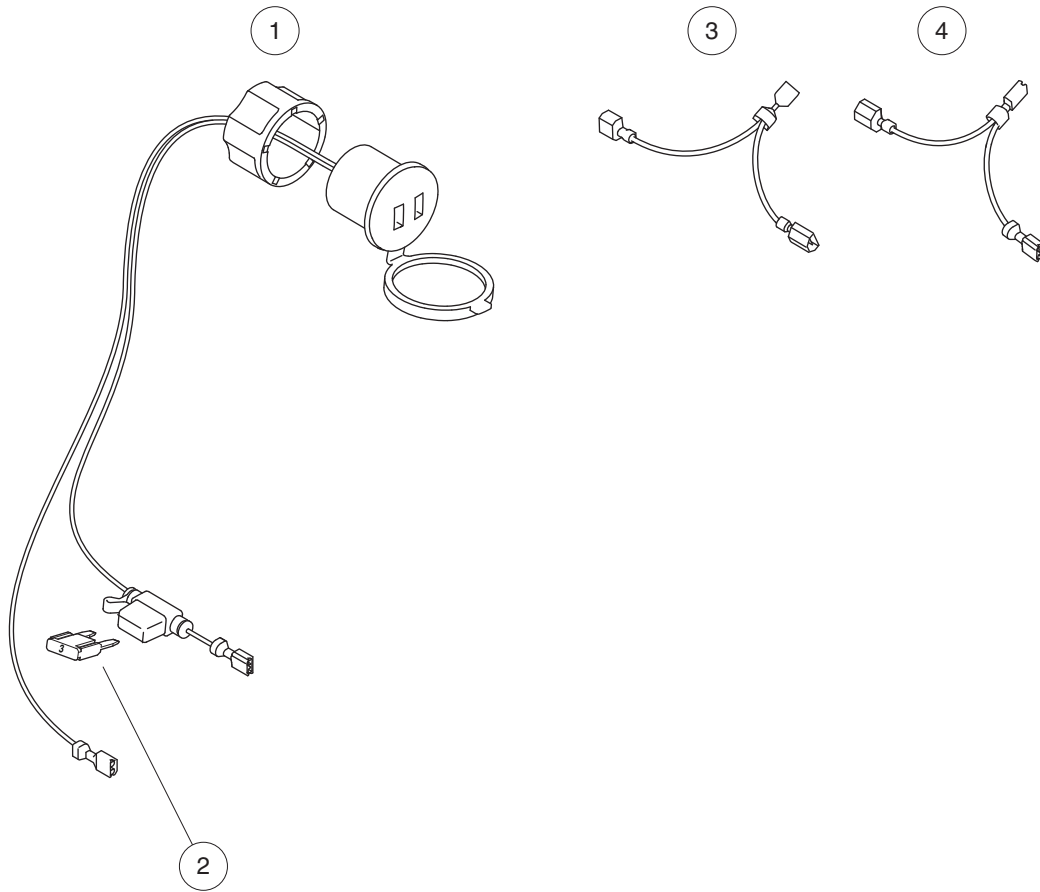
OPERATION AND MAINTENANCE SWITCH

ITEM	PART NO.	DESCRIPTION	QTY
		1 2 3 4	
1	101908401	Boot, Switch	1
2	103198401	Switch, Toggle, SPDT	1
3	103205501	Decal, Maintenance/Operate Switch	1
4	N/A	Screw, #6 X .75, Cs Ss, Hi-lo	2
5	105136501	Brkt, Hinge And Serv Switch	1

8
G

8

G



001399-001

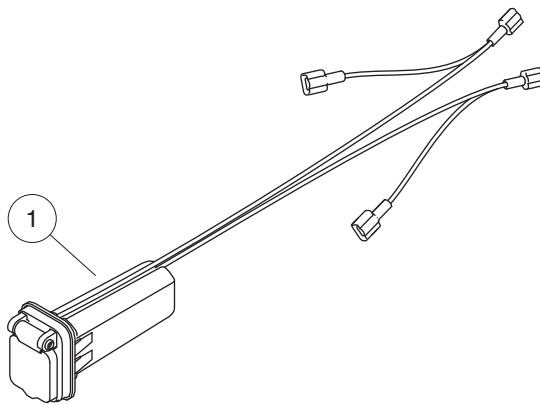
USB PORT ADAPTER – EARLY VERSION

ITEM	PART NO.	DESCRIPTION	QTY
		1 2 3 4	
1	105268101	Charger, Usb, Fused (includes item 2)	1
2	105114802	Fuse, Mini, Atm, 3 Amp	1
3	105298701	Wire, Y-adapter, Red	1
4	105298801	Wire, Y-adapter, Black	1

8
G

8

G



001286-001

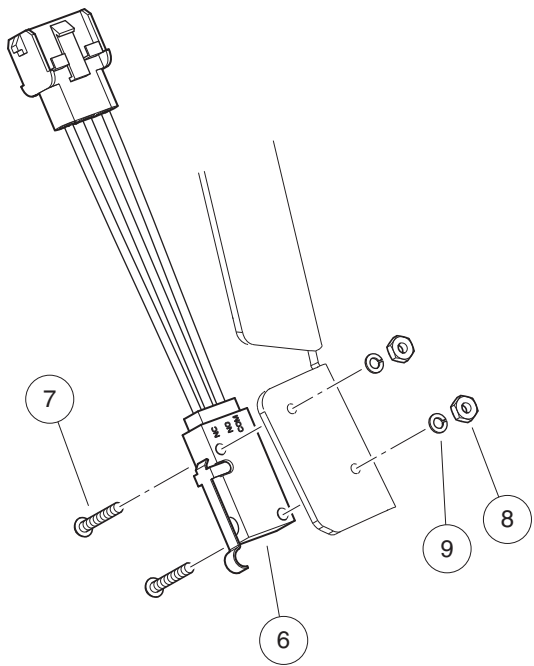
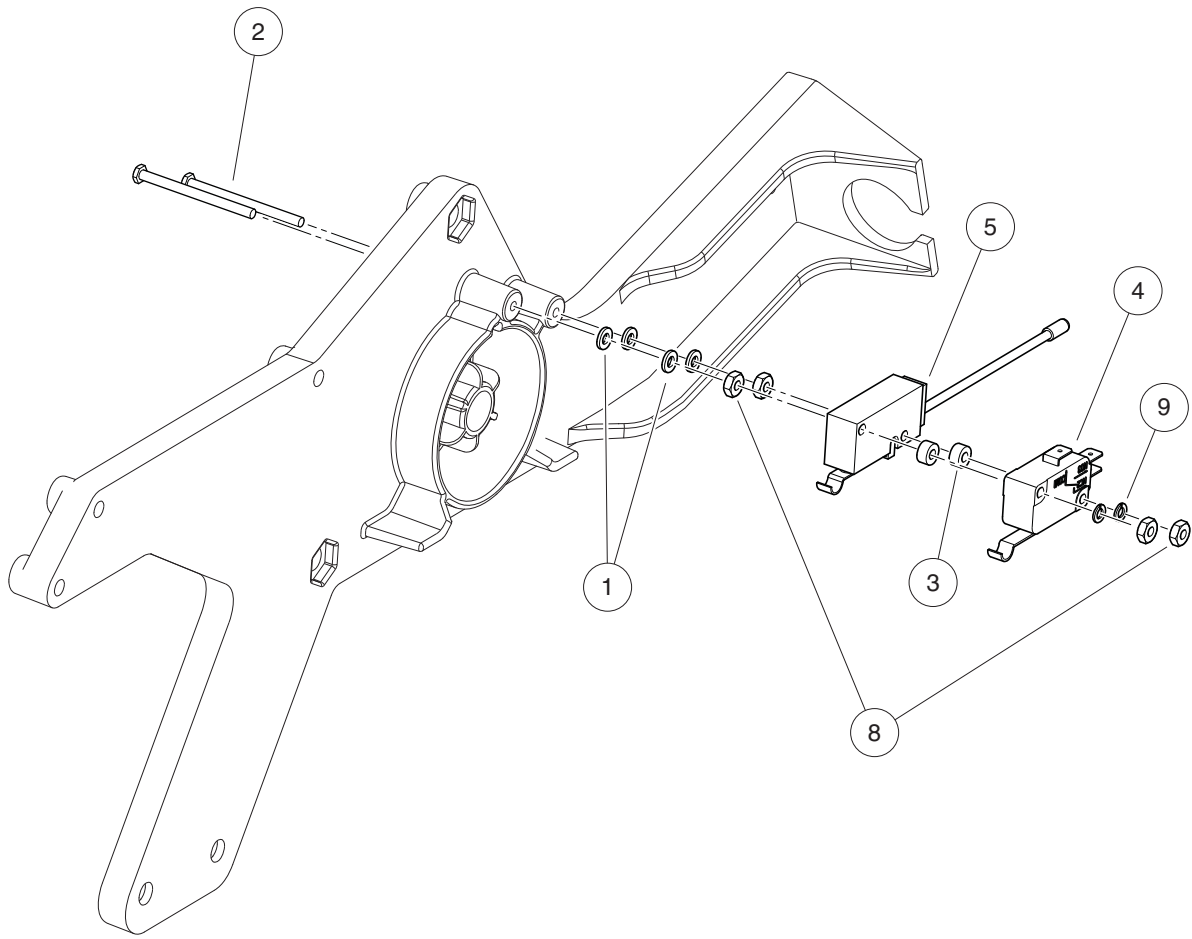
USB PORT KIT FOR GAS VEHICLES

ITEM	PART NO.	DESCRIPTION	QTY
1	47604229001	1 2 3 4 Kit, Usb, Gas (includes item 2)	1
2	47587715001	Usb, 12v	1

8

G

8
G



001013-001

FORWARD/REVERSE SHIFTER SWITCHES – EFI

ITEM	PART NO.	DESCRIPTION	QTY
		1 2 3 4	
1	1012431	Washer, #4 Flat	4
2	1012594	Screw, #4-40 Machine	2
3	1014727	Washer, Flat, #4, Nylon	2
4	1014807	Switch, Limit	1
5	101979101	Switch, Limit, Assembly, Sealed	1
6	105102601	Switch, Limit, Sealed, with 3-Wire Lead	1
7	8056	Screw, #4-40 X 0.75 Round-Head Machine	2
8	8057	Nut, #4-40 Hex Machine	6
9	8058	Lockwasher, #4 Split	4
Note: Item 5 is located on the shifter. Item 6 is located on the transaxle.			

8

G

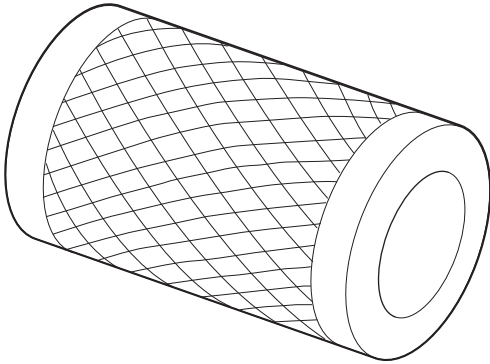
8

G

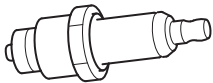
ENGINE – SUBARU EX40

9

G



1



2

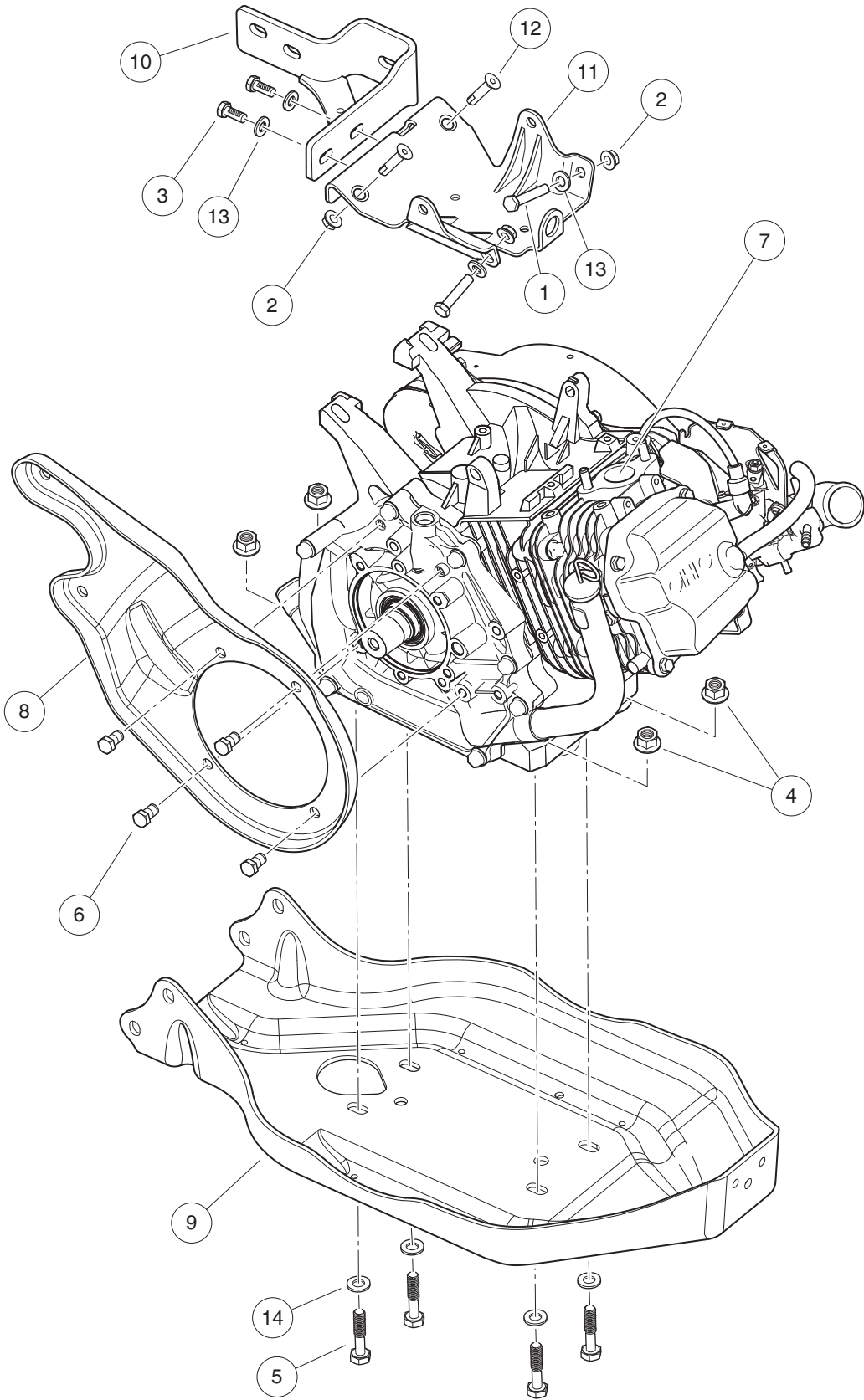
000992-003

TUNE-UP PARTS – SUBARU EX40

ITEM	PART NO.	DESCRIPTION	QTY
		1 2 3 4	
1	102558201	Air Filter, 4 Inch	1
2	47539956001	Spark Plug, Ex40, Brp4hs	1

9

G

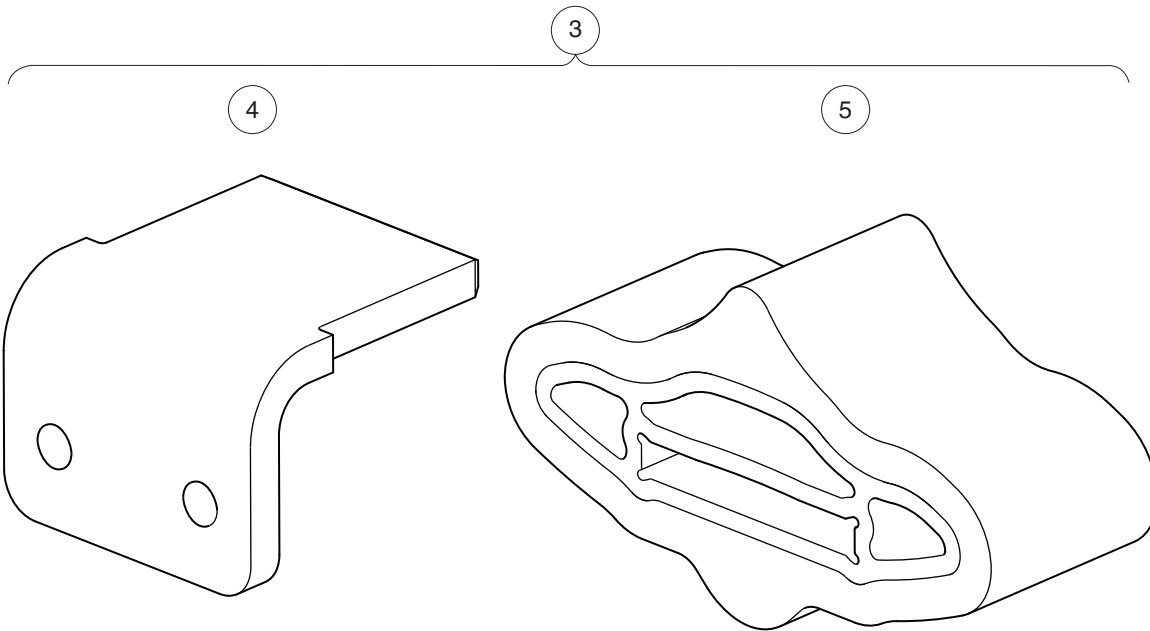
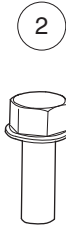


001393-001

ENGINE AND ENGINE MOUNTING, CONSUMER CAR

ITEM	PART NO.	DESCRIPTION	QTY
		1 2 3 4	
1	1010577	Bolt, Hex-Head, 5/16-18 X 1.50	2
2	101963401	Locknut, 5/16-18 Hex Flange	4
3	102242101	Screw, 5/16-18 X 3/4 Hex-Head with Patch	2
4	102617201	Nut, Flanged, M10 X 1.5, Mechanically Deformed	4
5	102732401	Bolt, M10 X 45, Zn-Ni (Black)	4
6	103508101	Bolt, 3/8-16 X .75 Lock Patch	4
7	103882801	Engine, Gas, Subaru EX40, EFI	1
8	103979401	Plate, Mounting, CVT, Center	1
9	103982201	Plate, Engine/Axle Mounting	1
10	105134601	Bracket, Mounting, Transaxle/Exhaust, EX40	1
11	105149301	Bracket, Mounting, Starter/Generator, EX40	1
12	105262401	Screw, 5/16-18 X 1.25, Cs, Lck	2
13	1241	Washer, 5/16 Type A Flat	4
14	96741046	Washer, M10, Hard	4

9
G

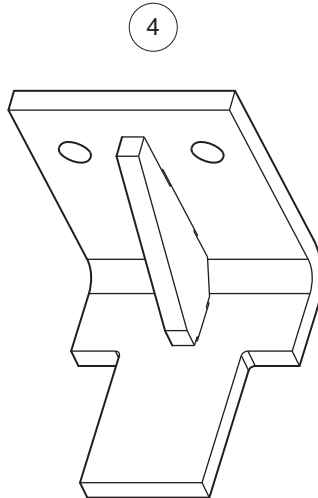
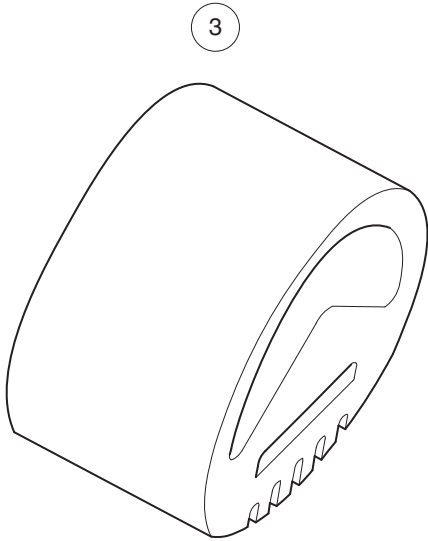
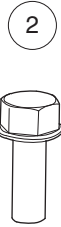


001394-001

SNUBBER AND BRACKET – CONSUMER CAR, STANDARD HEIGHT

ITEM	PART NO.	DESCRIPTION	QTY
		1 2 3 4	
1	1013924	Nut, 5/16-24, Hex Head Cone	2
2	101884801	Screw, 5/16-24 X 0.875, Grade-8	2
3	47587701001	Asm, Dual Snubber (includes items 4 and 5)	1
4	47583795001	Bracket, Dual Snubber	1
5	47584184001	Snubber, Dual	1

9
G



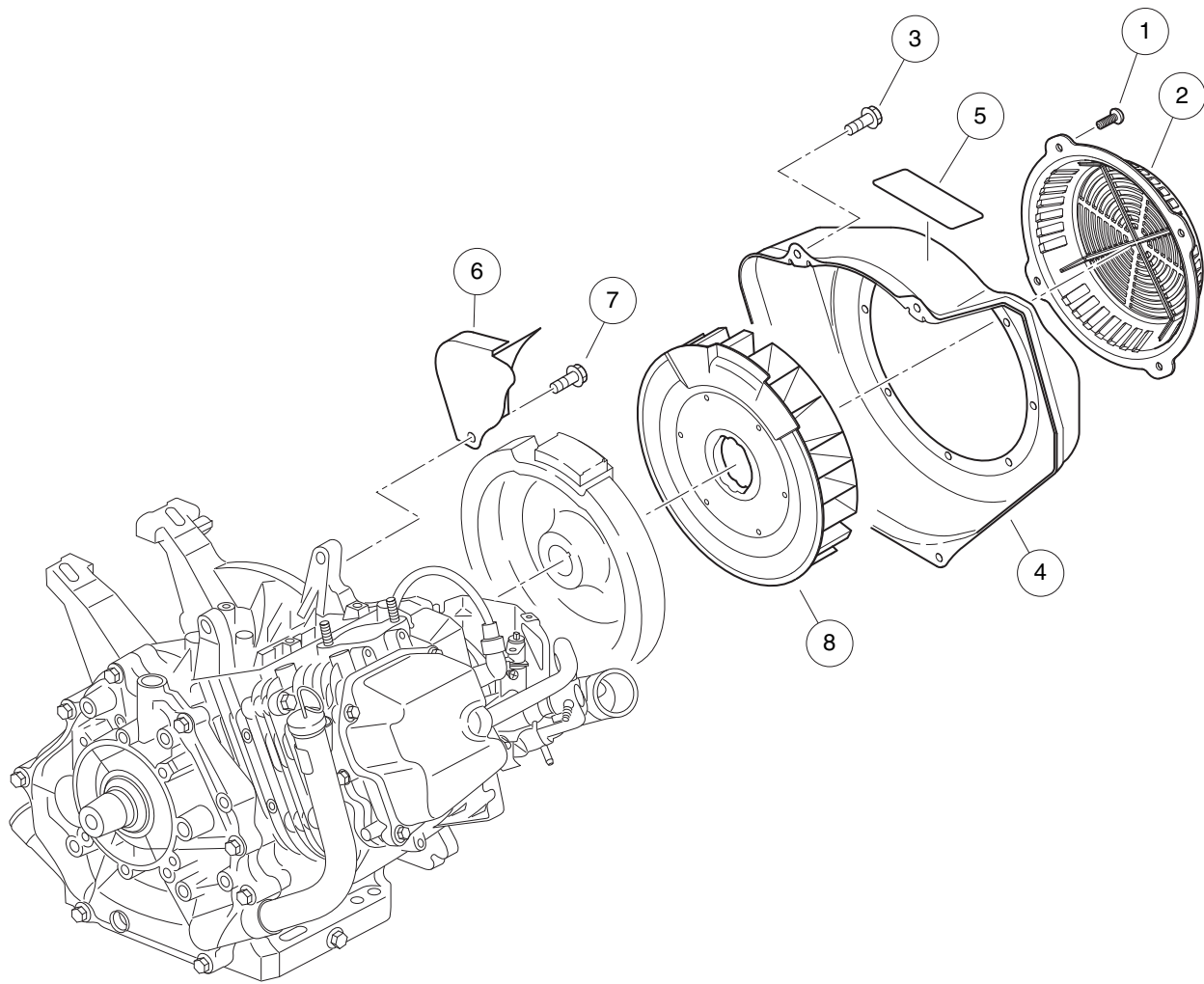
001395-001

SNUBBER AND BRACKET – CONSUMER CAR, LIFTED

ITEM	PART NO.	DESCRIPTION	QTY
		1 2 3 4	
1	1013924	Nut, 5/16-24, Hex Head Cone	2
2	101884801	Screw, 5/16-24 X 0.875, Grade-8	2
3	102540301	Snubber, Inner Frame	1
4	47564890001	Bracket, Snubber, Csmr, Lifted	1

9

G



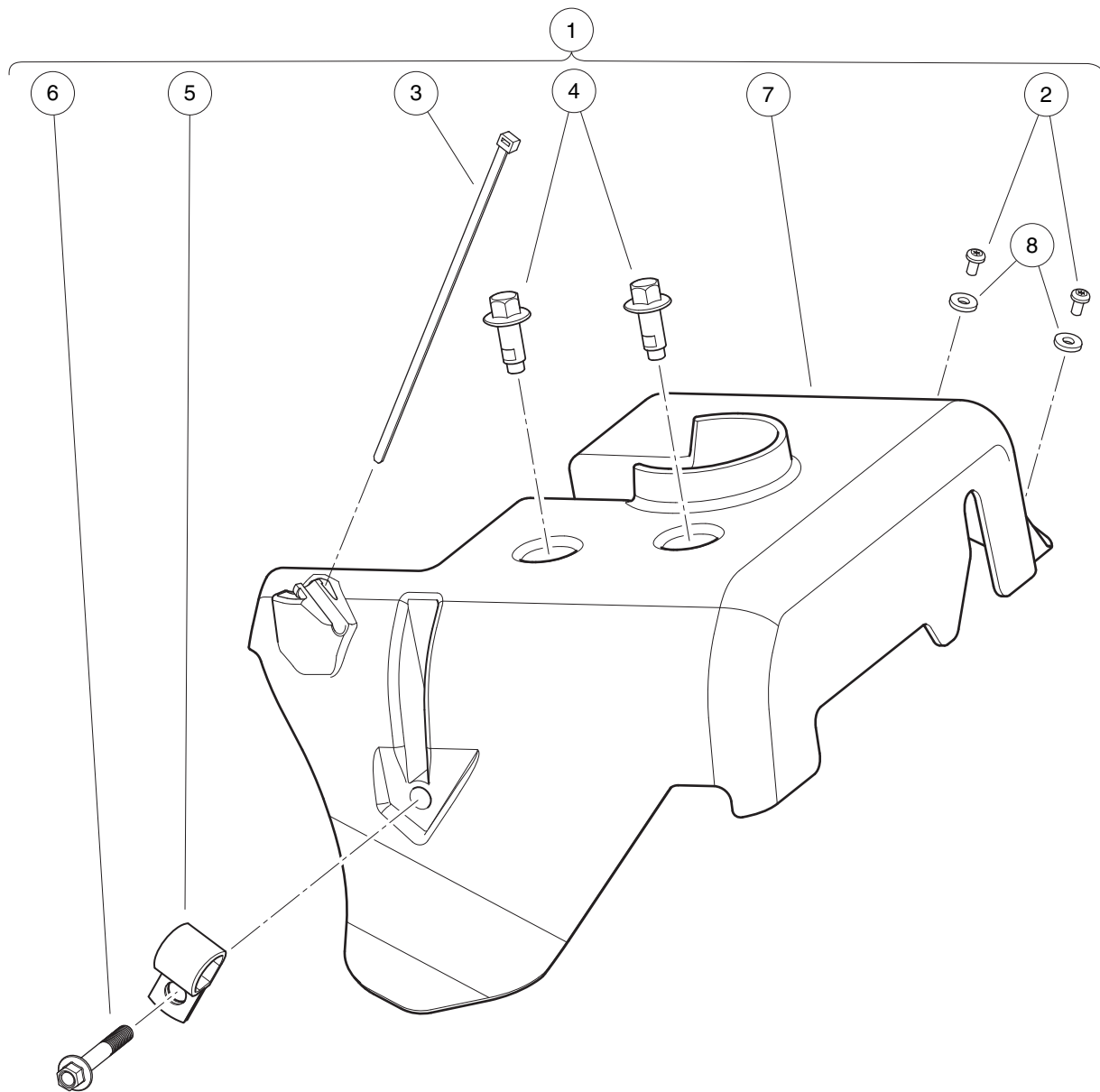
001001-001

FAN AND SHROUD – EX40

ITEM	PART NO.	DESCRIPTION	QTY
		1 2 3 4	
1	1015969	Screw, M6-1.00 X 10mm, Pan Hd	4
2	103995901	Cover, Fan, EX40	1
3	105012601	Bolt, Flange, M6x1.0x12, EX40	4
4	105016701	Housing, Fan, EX40	1
5	105016801	Label, Engine Warning, EX40	1
6	105016901	Baffle, Crankcase, EX40	1
7	105017001	Bolt, Baffle, M8x1.25x12 Ex40	1
8	105017101	Fan, Cooling, EX40	1

9
G

9
G



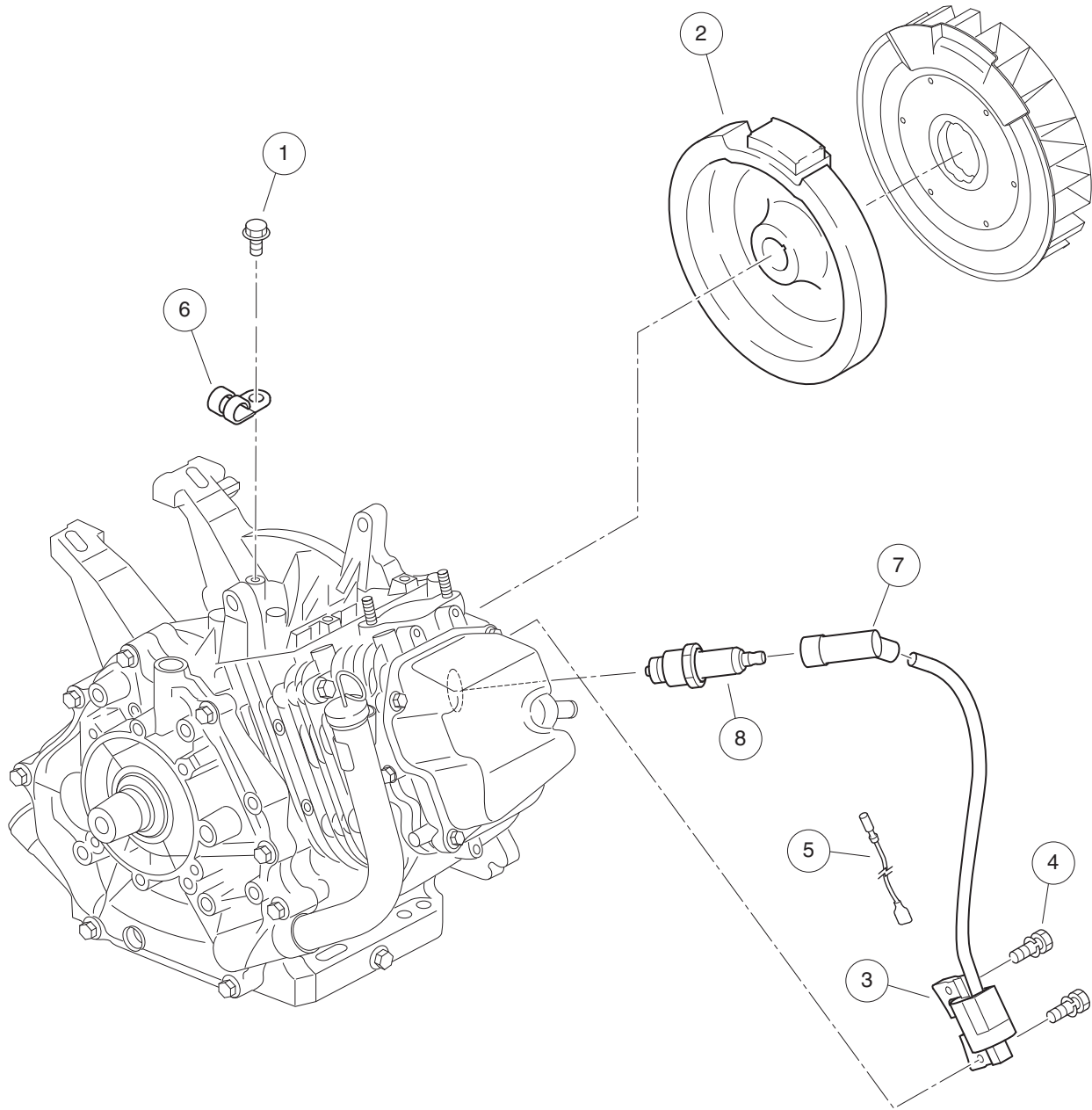
001002-001

AIR DEFLECTOR – EX40

ITEM	PART NO.	DESCRIPTION	QTY
		1 2 3 4	
1	105084801	Kit, Air Deflector, Subaru EX40 (includes items 2 through 8)	1
2	1016103	Screw, Pan Hd Tx, Taptite 6-32	2
3	101824101	Tie Wrap, Black	1
4	102298116	Bolt, Flanged Head, M8 X 16.0	2
5	102410604	P-clamp, Insulated, 0.625 Inch	1
6	102541402	Bolt, M6x1.0x40, Hex Flange Head, Blk-l	1
7	105075301	Deflector, Air, Subaru EX40	1
8	7591	Washer, #6, Flat	2

9

G

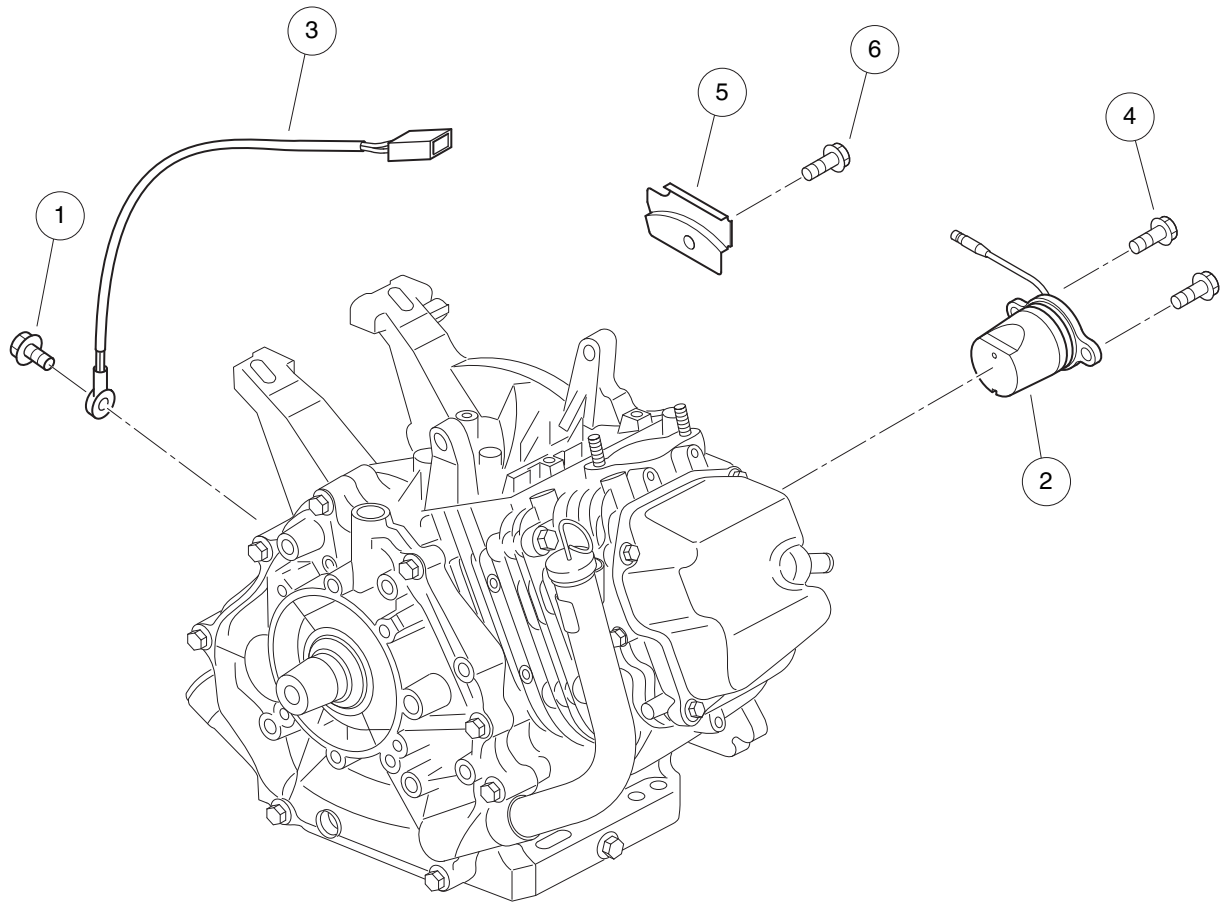


001003-002

IGNITION COMPONENTS AND FLYWHEEL – EX40

ITEM	PART NO.	DESCRIPTION	QTY
		1 2 3 4	
1	105016001	Bolt, Flange, M6x1.0x8, EX40	1
2	105017301	Flywheel, EX40	1
3	105017401	Coil, Ignition, CDI, EX40	1
4	105017501	Asm, Bolt-Washer, Coil, EX40	2
5	105017601	Asm, Wire, Coil Control, EX40	1
6	105017701	Clamp, Coil Control Wire, EX40	1
7	105017901	Cap, Spark Plug, EX40	1
8	47539956001	Spark Plug, Ex40, Brp4hs	1

9
G



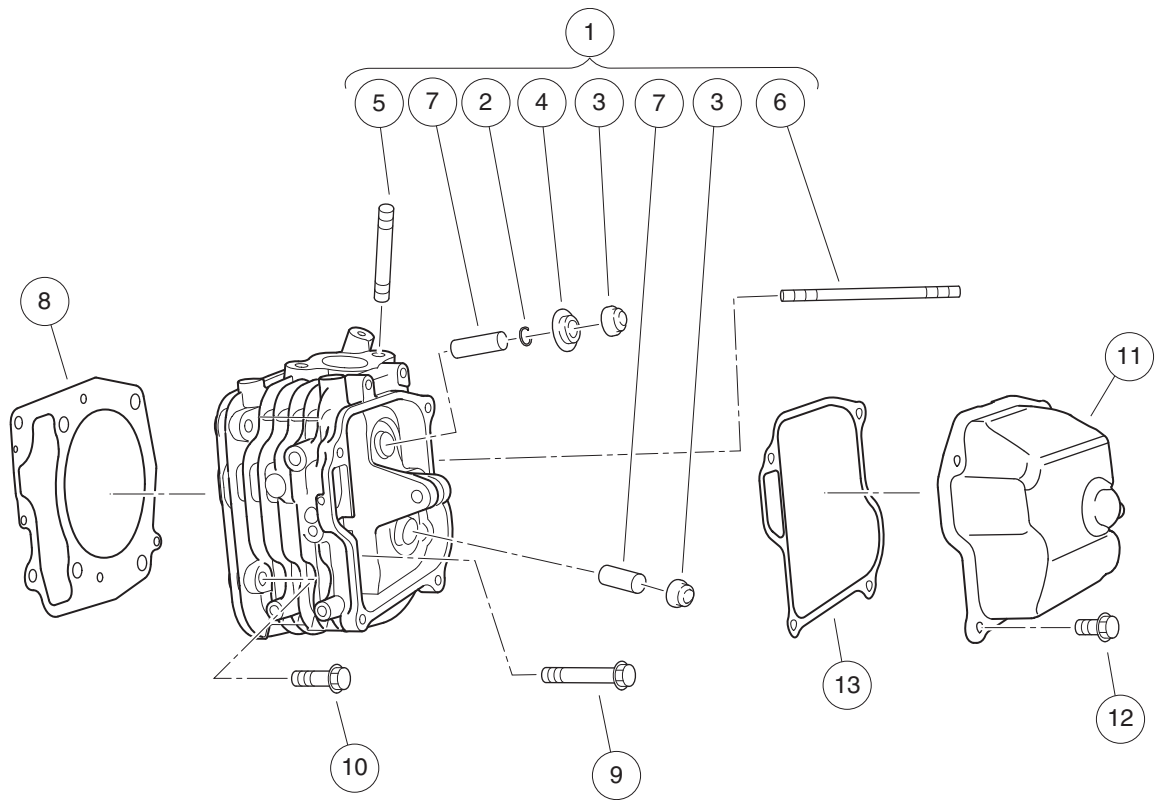
001004-001

SENSORS – EX40

ITEM	PART NO.	DESCRIPTION	QTY
		1 2 3 4	
1	105012601	Bolt, Flange, M6x1.0x12, EX40	1
2	105018001	Sensor, Oil Level, EX40	1
3	105018101	Sensor, Temperature, EX40	1
4	105018201	Bolt, Oil Sensor, M6x1.0x14, EX40	2
5	105018301	Clamp, Oil Sensor Wire, EX40	1
6	105018401	Bolt, Tap, Oil Wire Clamp, EX40	1

9

G



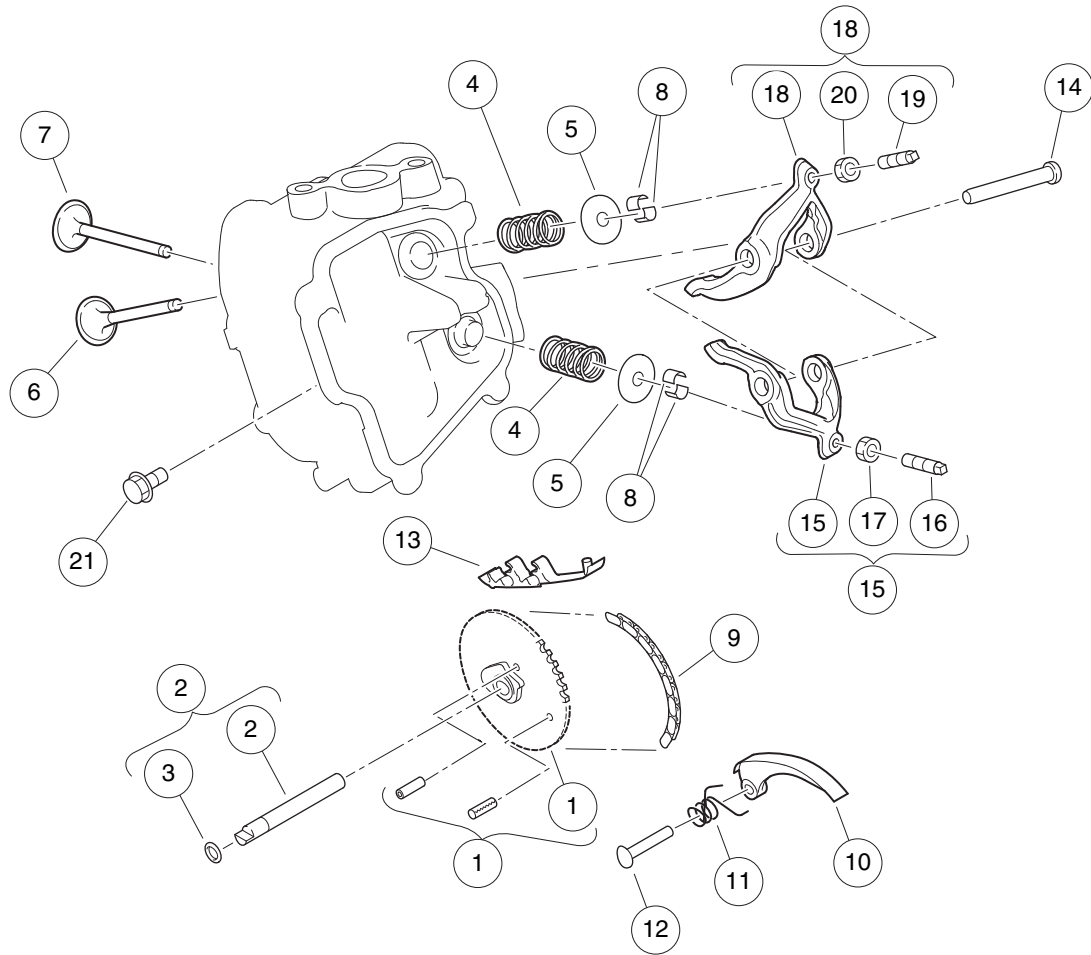
001005-002

CYLINDER HEAD – EX40

ITEM	PART NO.	DESCRIPTION	QTY
		1 2 3 4	
1	105011901	Asm, Cylinder Head, EX40 (includes items 2 through 7)	1
2	105010101	Clip, Retainer Plate, EX40	1
3	105010201	Seal, Valve, EX40	2
4	105010301	Plate, Retainer, EX40	1
5	105010801	Stud, Mounting, Exhaust, EX40	2
6	105010901	Stud, Mounting, Intake, EX40	2
7	105018501	Guide, Valve, EX40	2
8	105012001	Gasket, Head, EX40	1
9	105012101	Bolt, Head, M10x1.25x75, EX40	4
10	105012201	Bolt, Head, M8x1.25x35, EX40	2
11	105012301	Cover, Rocker, EX40	1
12	105012601	Bolt, Flange, M6x1.0x12, EX40	4
13	47540040001	Gasket, Rocker Cover, Sub	1

9

G

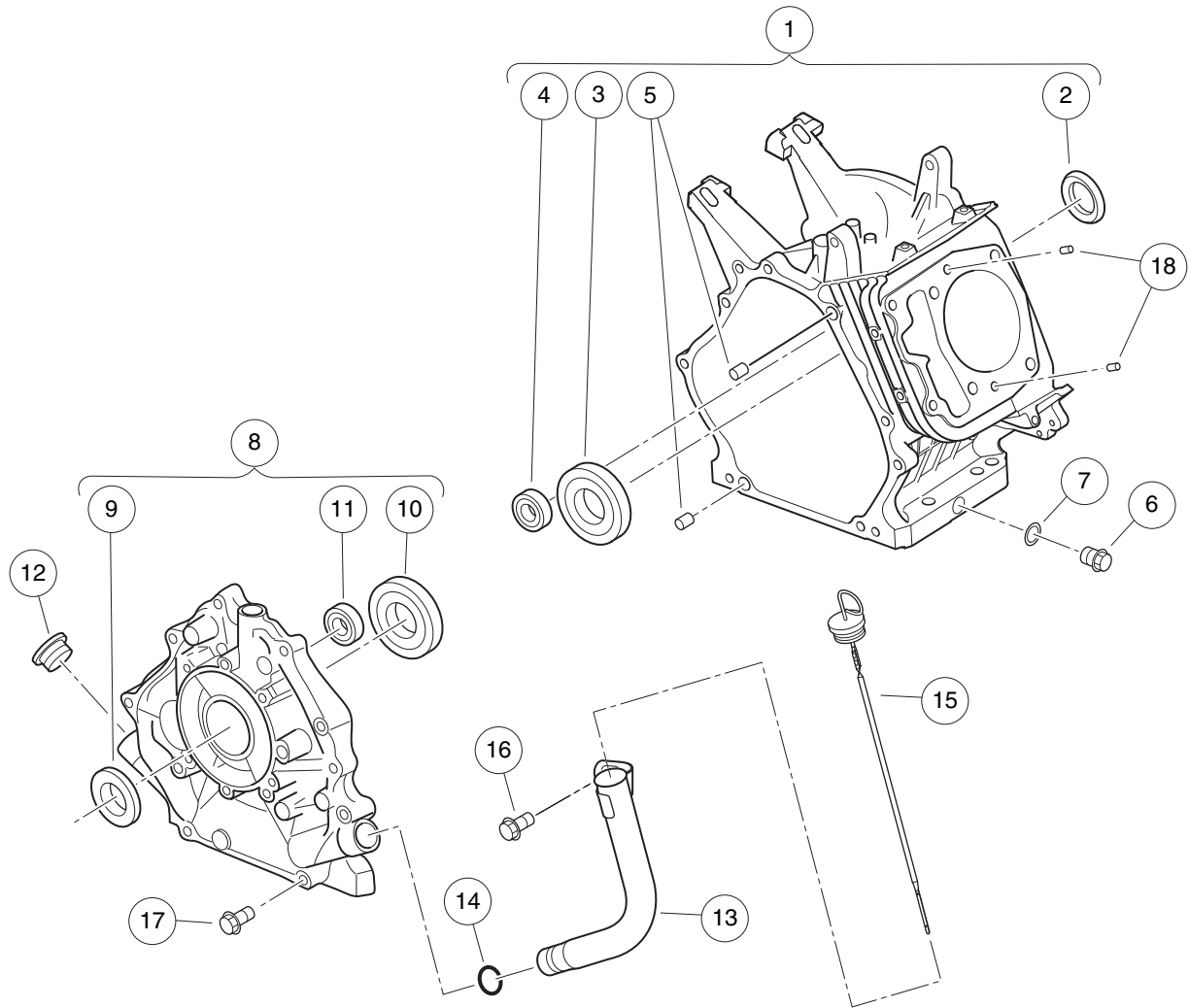


001006-001

VALVETRAIN AND TIMING CHAIN – EX40

ITEM	PART NO.	DESCRIPTION	QTY
		1 2 3 4	
1	105014201	Asm, Cam/Chain Sprocket, EX40	1
2	105014301	Asm, Camshaft and O-ring, EX40 (includes item 3)	1
3	105014401	O-ring, Camshaft, EX40	1
4	105014501	Spring, Valve, EX40	2
5	105014601	Retainer, Spring, EX40	2
6	105014701	Valve, Intake, EX40	1
7	105014801	Valve, Exhaust, EX40	1
8	105014901	Collet, Valve, EX40	4
9	105015001	Chain, Timing, EX40	1
10	105015101	Tensioner, Chain, EX40	1
11	105015201	Spring, Tension, EX40	1
12	105015301	Pin, Tensioner, EX40	1
13	105015401	Guide, Chain, EX40	1
14	105015501	Shaft, Rocker, EX40	1
15	105015601	Asm, Rocker Arm, Intake, EX40 (includes items 16 and 17)	1
16	105015801	Screw, Adjust, Valve, EX40	1
17	105015901	Nut, Adjust, Valve, EX40	1
18	105015701	Asm, Rocker Arm, Exhaust, EX40 (includes items 19 and 20)	1
19	105015801	Screw, Adjust, Valve, EX40	1
20	105015901	Nut, Adjust, Valve, EX40	1
21	105016001	Bolt, Flange, M6x1.0x8, EX40	1

9
G

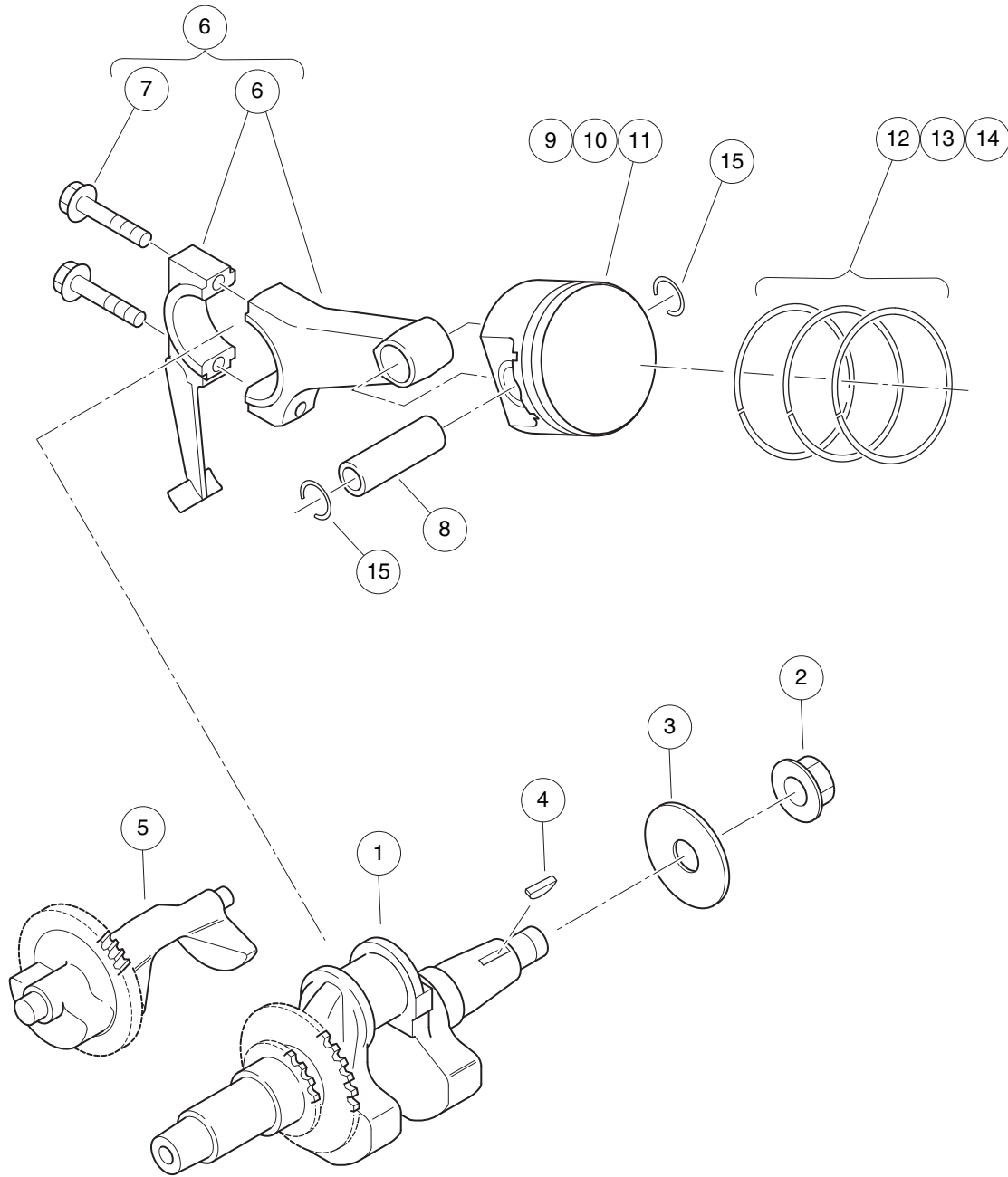


001007-001

CRANKCASE – EX40

ITEM	PART NO.	DESCRIPTION	QTY
		1 2 3 4	
1	105010001	Crankcase, EX40 (includes items 2 through 5)	1
2	105010401	Seal, Oil, Crankshaft, EX40	1
3	105010501	Bearing, Crankshaft, EX40	1
4	105010601	Bearing, Balance Shaft, EX40	1
5	105010701	Pin, Guide, Crankcase, EX40	2
6	105011001	Plug, Oil Drain, EX40	2
7	105011101	Gasket, Oil Drain Plug, EX40	2
8	105011201	Asm, Cover, Crankcase, EX40 (includes items 9 through 11)	1
9	105010401	Seal, Oil, Crankshaft, EX40	1
10	105010501	Bearing, Crankshaft, EX40	1
11	105010601	Bearing, Balance Shaft, EX40	1
12	105011301	Plug, Rubber, Crankcase, EX40	1
13	105011401	Tube, Oil Filler, EX40	1
14	105011501	O-ring, Oil Filler Tube, EX40	1
15	105011601	Dipstick, EX40	1
16	105011701	Bolt, Filler Tube, M8x1.25x12, EX40	1
17	105011801	Bolt, Case Cover, M8x1.25x38, EX40	8
18	105012501	Pin, Guide, Head, EX40	2

9
G



001008-001

CRANKSHAFT AND PISTON – EX40

ITEM	PART NO.	DESCRIPTION	QTY
		1 2 3 4	
1	105012701	Crankshaft, EX40	1
2	105012801	Nut, Crankshaft M18x1.5 Ex40	1
3	105012901	Washer, Crankshaft Ex40	1
4	105013001	Key, Woodruff, Crankshaft, EX40	1
5	105013101	Shaft, Balance, EX40	1
6	105013201	Asm, Rod, Connecting, EX40 (includes item 7)	1
7	105013301	Bolt, Rod M8x1.25x40 Ex40	2
8	105013401	Pin, Piston, EX40	1
9	105013501	Piston, Standard, EX40	1
10	105013601	Piston, 0.25 mm Oversize, EX40	1
11	105013701	Piston, 0.50 mm Oversize, EX40	1
12	105013801	Set, Piston Ring, Standard, EX40	1
13	105013901	Set, Piston Ring, 0.25 mm Oversize, EX40	1
14	105014001	Set, Piston Ring, 0.50 mm Oversize, EX40	1
15	105014101	Clip, Piston Pin, EX40	2

9

G

9

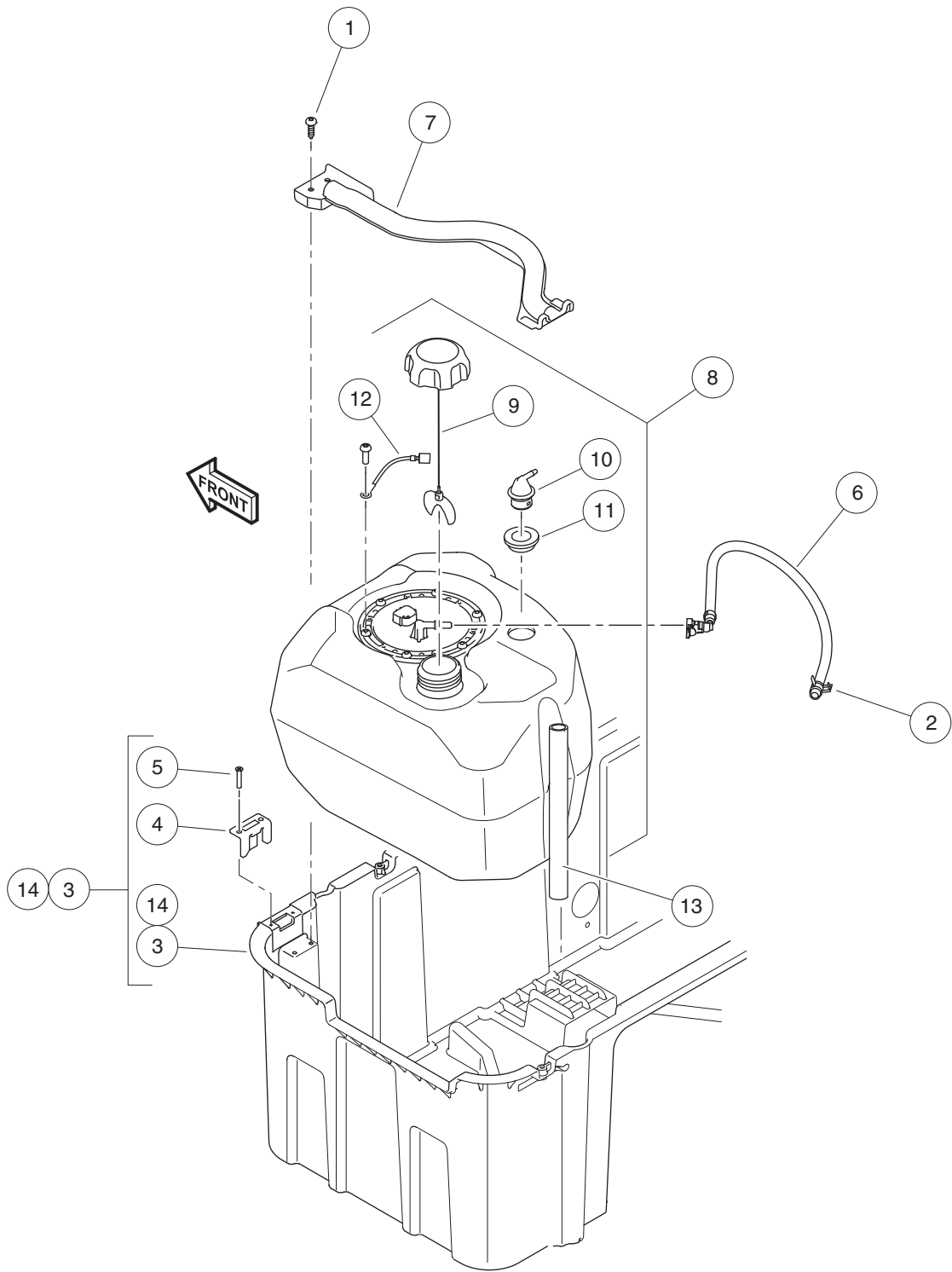
G

FUEL SYSTEM, EFI – SUBARU EX40

10

G

10
G



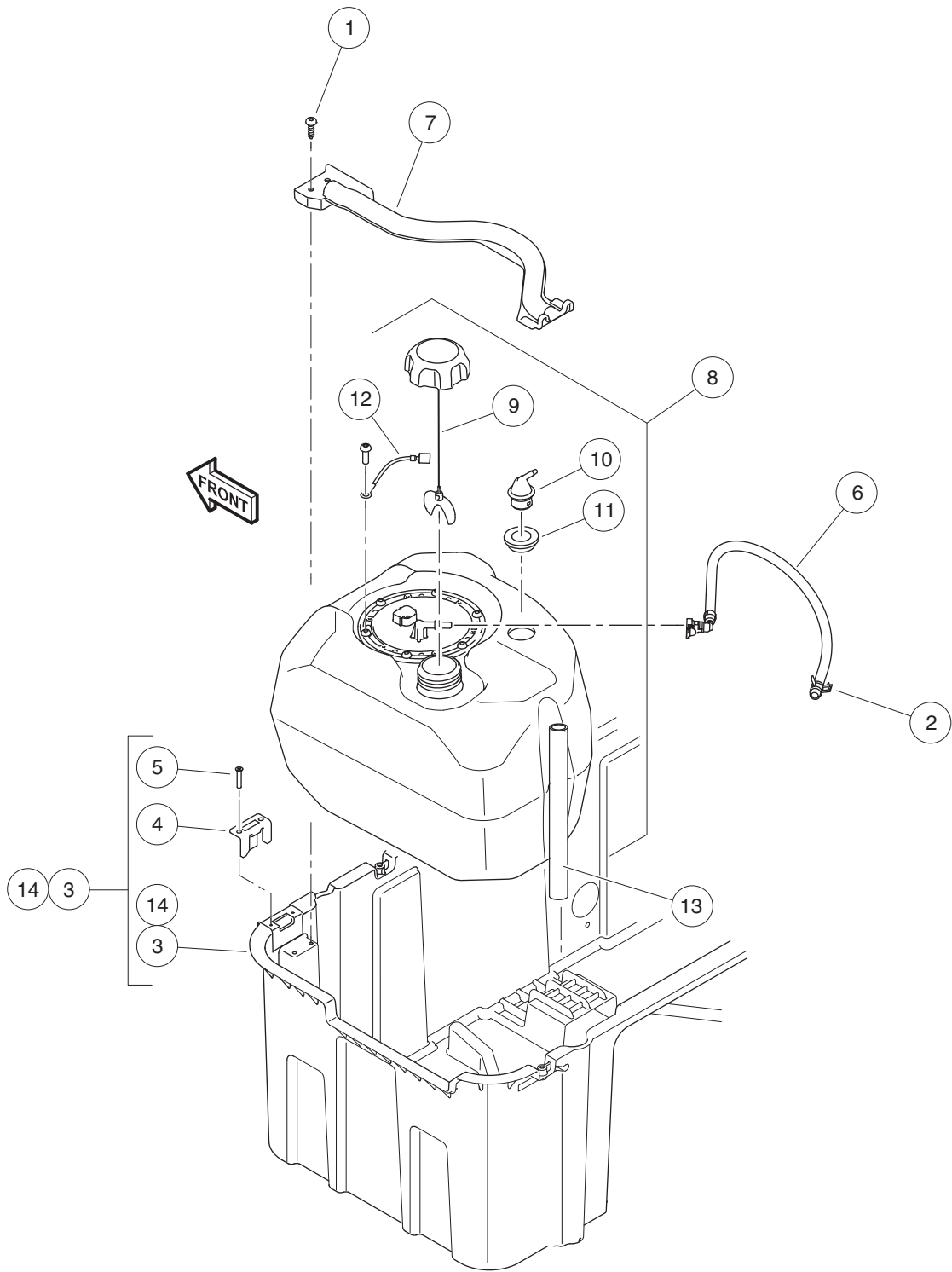
000974-004

FUEL SYSTEM W/O SENDING UNIT – EFI

ITEM	PART NO.	DESCRIPTION	QTY
		1 2 3 4	
1	102296020	Screw, Torx Pan Hd Pt, M6 X 20	2
2	102411203	Clamp, Hose, Ctb 14mm Dia.	1
3	102514702	Bucket, Gas, with EFI (includes items 4 and 5)	1
4	103470701	Bracket, Bucket Hinge	1
5	N/A	Screw, #6 X .75, Cs Ss, Hi-lo	2
6	105043601	Asm, Fuel Line	1
7	105072201	Retainer, Tank	1
8	105215502	Asm, Tank, Fuel, w/o Sending Unit (includes items 9 through 12)	1
9	103372101	Cap, Fuel Tank, Gas, Ratchet	1
10	103905201	Assembly, Vent, Fuel, 1/4 Inch O.D.	1
11	103944301	Grommet, Fuel Tank, Vent	1
12	105143301	Wire, Ground, Fuel Tank	1
13	47546044001	Tube, Retention	1
14	47573601001	Bucket, Gas, Prec, Lifted	1

10
G

10
G



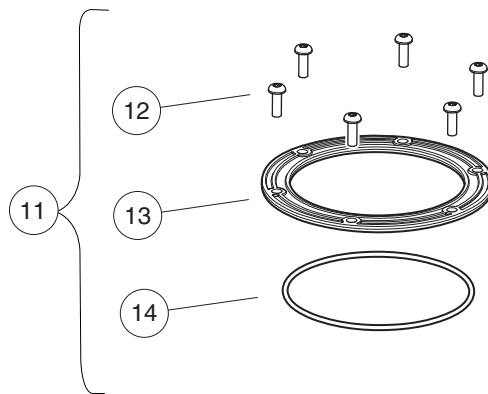
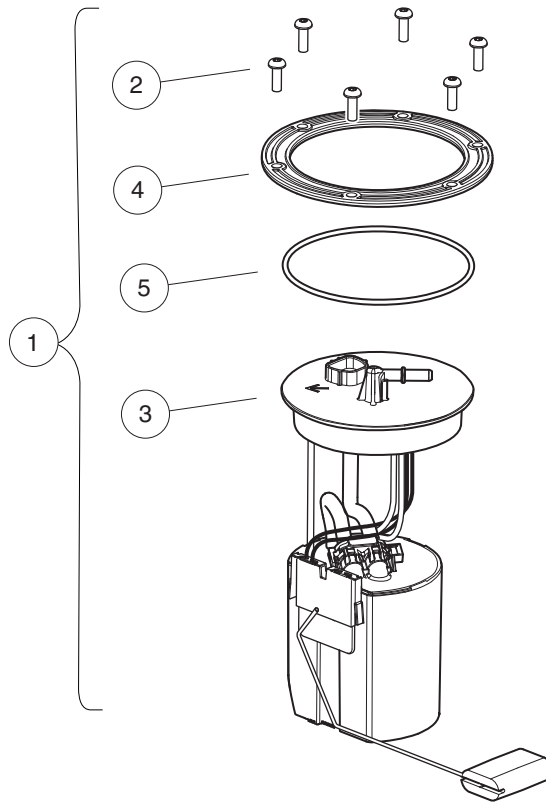
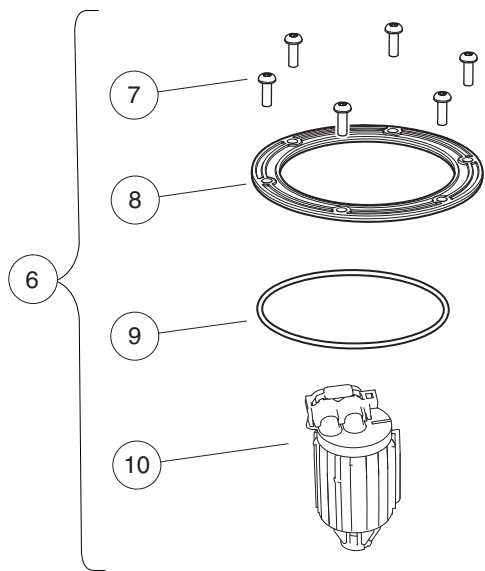
000974-004

FUEL SYSTEM WITH SENDING UNIT – EFI

ITEM	PART NO.	DESCRIPTION	QTY
		1 2 3 4	
1	102296020	Screw, Torx Pan Hd Pt, M6 X 20	2
2	102411203	Clamp, Hose, Ctb 14mm Dia.	1
3	102514702	Bucket, Gas, with EFI (includes items 4 and 5)	1
4	103470701	Bracket, Bucket Hinge	1
5	N/A	Screw, #6 X .75, Cs Ss, Hi-lo	2
6	105043601	Asm, Fuel Line	1
7	105072201	Retainer, Tank	1
8	105215501	Asm, Tank, Fuel, w/Sending Unit (includes items 9 through 12)	1
9	103372101	Cap, Fuel Tank, Gas, Ratchet	1
10	103905201	Assembly, Vent, Fuel, 1/4 Inch O.D.	1
11	103944301	Grommet, Fuel Tank, Vent	1
12	105143301	Wire, Ground, Fuel Tank	1
13	47546044001	Tube, Retention	1
14	47573601001	Bucket, Gas, Prec, Lifted	1

10
G

10
G



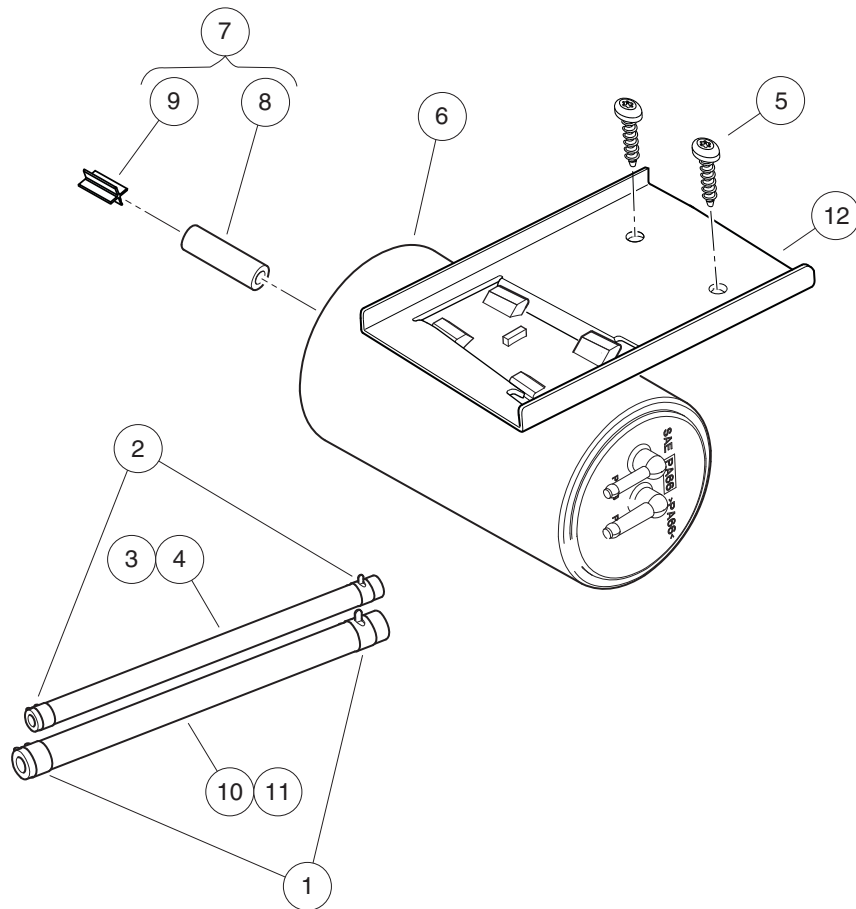
000977-005

FUEL TANK KITS – EFI

ITEM	PART NO.	DESCRIPTION	QTY
		1 2 3 4	
1	105282901	Kit, Fuel Pump Module (includes items 2 through 5)	1
2	102025801	Screw, 1/4-20 X .75 Torx Pn Hd	6
3	105043401	Fuel Pump Module, with Sending Unit	1
4	105043801	Fuel Module, Hold Down Ring	1
5	105043901	O-Ring, Fuel Module	1
6	105282902	Kit, Fuel Filter (includes items 7 through 10)	1
7	102025801	Screw, 1/4-20 X .75 Torx Pn Hd	6
8	105043801	Fuel Module, Hold Down Ring	1
9	105043901	O-Ring, Fuel Module	1
10	105073001	Fuel Filter, EX40, EFI	1
11	105282903	Kit, O-ring (includes items 12 through 14)	1
12	102025801	Screw, 1/4-20 X .75 Torx Pn Hd	6
13	105043801	Fuel Module, Hold Down Ring	1
14	105043901	O-Ring, Fuel Module	1

10

G



000980-013

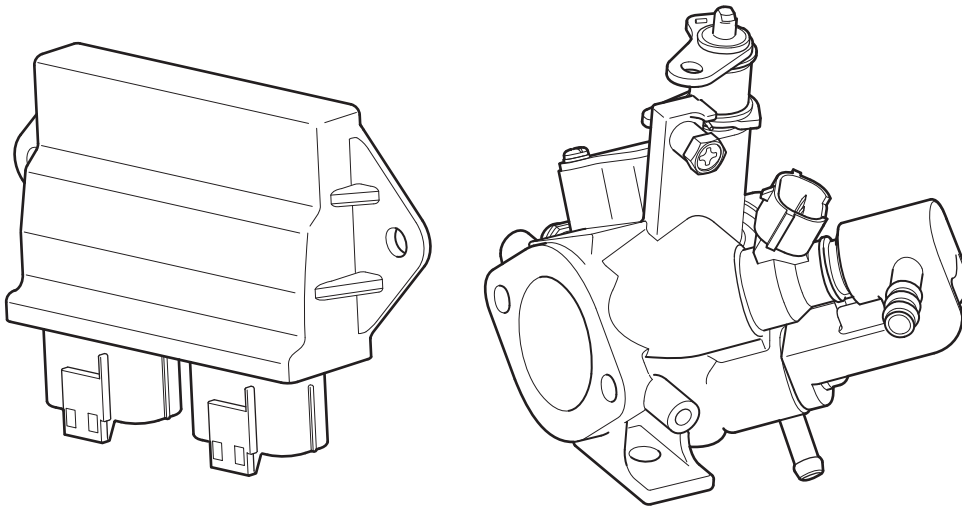
CARBON CANISTER – EFI

ITEM	PART NO.	DESCRIPTION	QTY
		1 2 3 4	
1	1012649	Clamp, 0.460 Red Hose	2
2	1013746	Clamp, 0.301 ID Hose	2
3	101587704	Hose, Fuel, Vent, 3/16" ID, 17" Long (includes item 4)	1
4	1015137	Fuel Line, 3/16 (available by the foot)	A/R
5	102297230	Screw, M6, Torx, Interlock Thread	2
6	103372401	Canister, Carbon	1
7	103756401	Asm, Vent Line, Carbon Canister (includes items 8 and 9)	1
8	N/A	Hose, Vent, 5/16 I.D., Bulk	1
9	N/A	Vent, Barb, 5/16 I.D. Hose	1
10	103896606	Hose, Vent, 1/4 Id, 6.75 In (includes item 11)	1
11	47560464001	Hose, Fuel 1/4saej1737 Bulk	A/R
12	105284801	Brkt, Carbon Canister, Gen	1

10

G

1



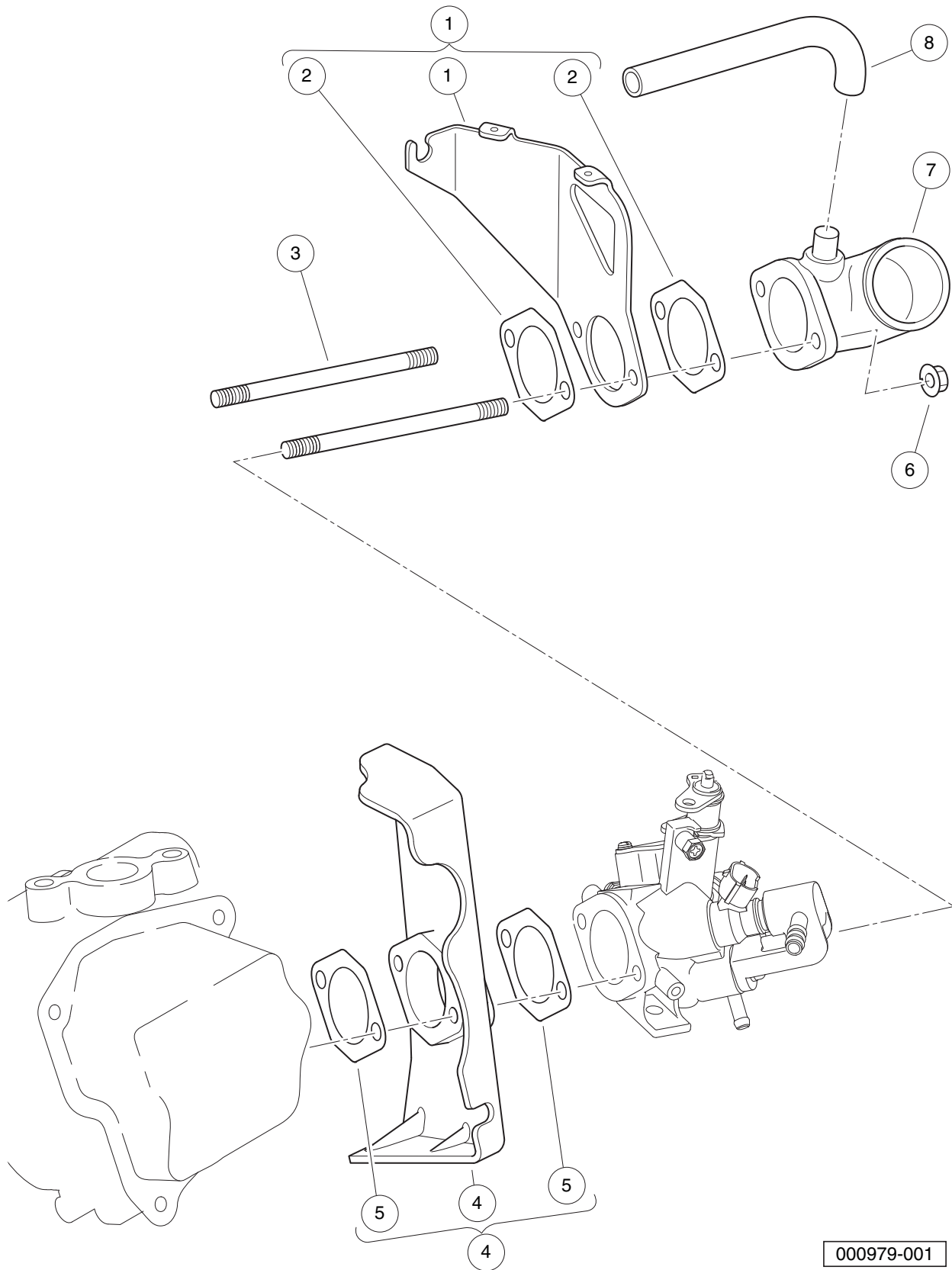
000964-001

THROTTLE BODY AND ECU – EFI

ITEM	PART NO.	DESCRIPTION	QTY
1	105017201	1 2 3 4 Asm, Throttle Body/Fuel Injector with ECU, EX40	1

10

G



000979-001

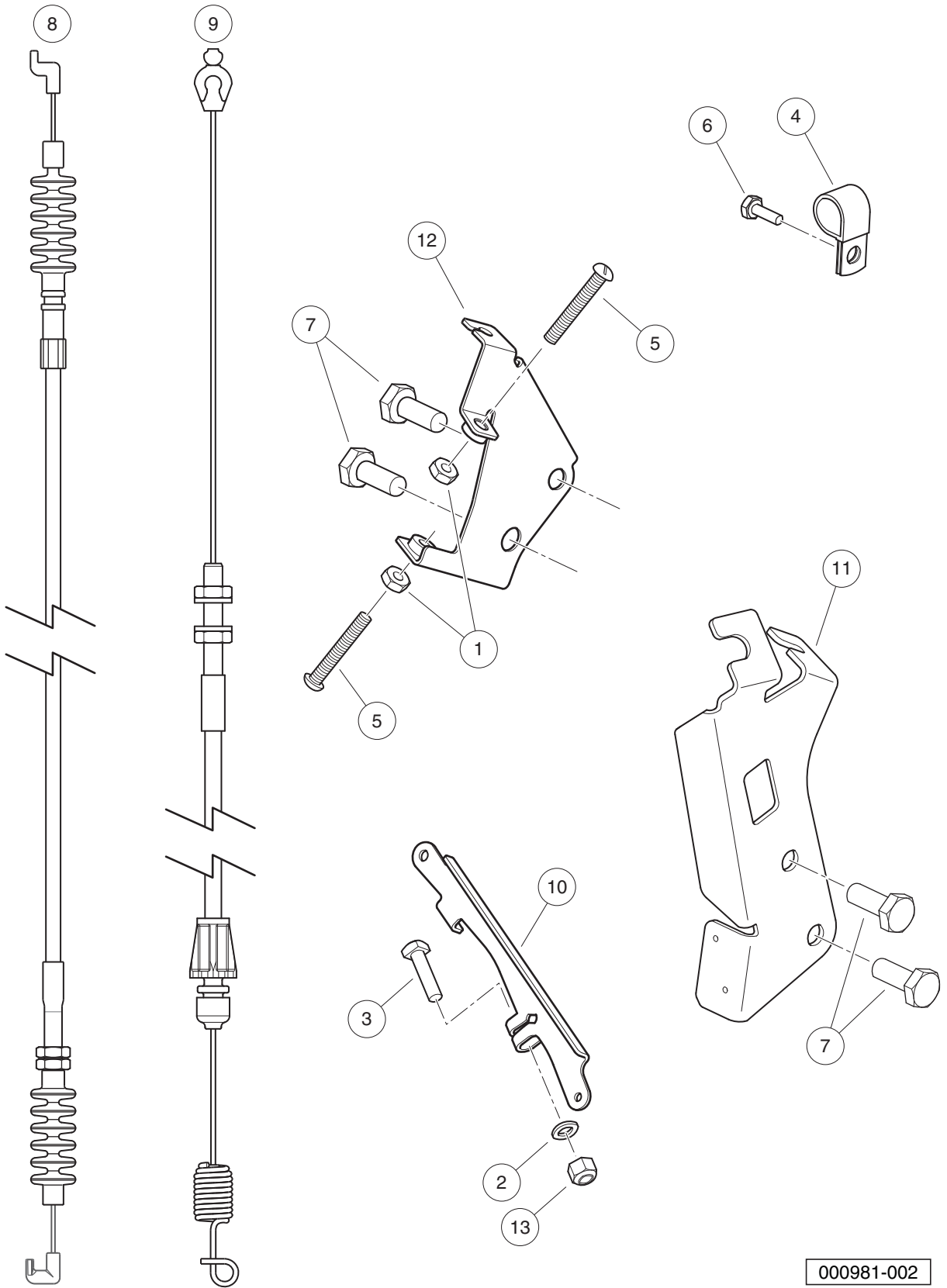
THROTTLE BODY MOUNTING – EFI

ITEM	PART NO.	DESCRIPTION	QTY
		1 2 3 4	
1	103983501	Bracket, Operation, EX40 (includes item 2)	1
2	105016201	Gasket, Insulator, EX40	2
3	105010901	Stud, Mounting, Intake, EX40	2
4	105016101	Insulator, EX40 (includes item 5)	1
5	105016201	Gasket, Insulator, EX40	2
6	105016301	Nut, Intake Adapter, M6x1.0, EX40	2
7	105016401	Adapter, Air Intake, EX40	1
8	105016501	Hose, Breather, EX40	1

10

G

10
G

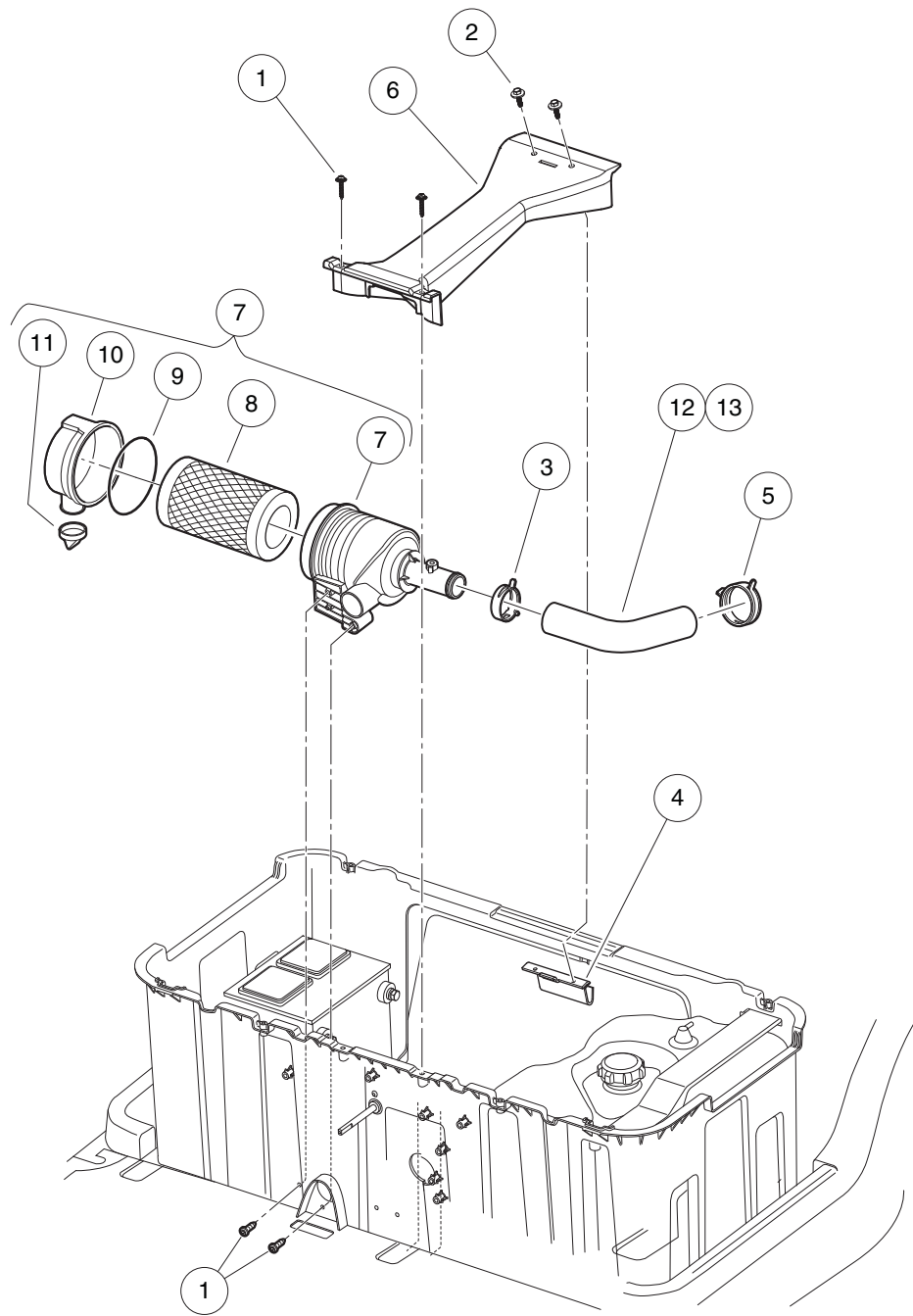


000981-002

GOVERNOR AND ACCELERATOR CABLES – EFI

ITEM	PART NO.	DESCRIPTION	QTY
		1 2 3 4	
1	1011114	Nut, M6-1.00 Hex	2
2	1014007	Washer, 1/4, Flat	1
3	101886101	Screw, 1/4-20 X 1.00, Square-Head	1
4	102410604	P-clamp, Insulated, 0.625 Inch	1
5	102476401	Bolt, Stop, Pedal	2
6	102490301	Bolt, M6 X 1 X 16, Loctite	1
7	102498201	Bolt, M10 X 1.25 X 25, Loctite	4
8	103978001	Cable, Governor, EX40	1
9	103982001	Cable, Accelerator, Std Speed	1
10	104023501	Arm, Governor, ED65	1
11	105135101	Bracket, Cable, FNR/Accelerator, ED65	1
12	105144401	Weldment, Governor Bracket	1
13	8233	Locknut, 1/4-20, Nylon Insert	1

10
G



000484-004

AIR FILTER SYSTEM AND INTAKE HOSE – EFI

ITEM	PART NO.	DESCRIPTION	QTY
		1 2 3 4	
1	102296020	Screw, Torx Pan Hd Pt, M6 X 20	4
2	102297125	Screw, M6-1.0x25.4, Thread-Forming, SEMS	2
3	102411209	Clamp, Hose, Ctb 55mm Dia.	1
4	102521401	Support, Gas Bucket Brace	1
5	102558301	Clamp, Air Intake	1
6	103795001	Brace, Gas Fuel Bucket	1
7	105009001	Air Cleaner, with EFI (includes items 8 through 11)	1
8	102558201	Air Filter, 4 Inch	1
9	102558501	Gasket, Air Intake	1
10	102558601	Asm, Cover, Air Intake	1
11	102558701	Evac Valve, Air Intake	1
12	105009201	Hose, Air Intake, with EFI	1
13	47560765001	Hose, Intake, Lift, Csmr	1

10

G

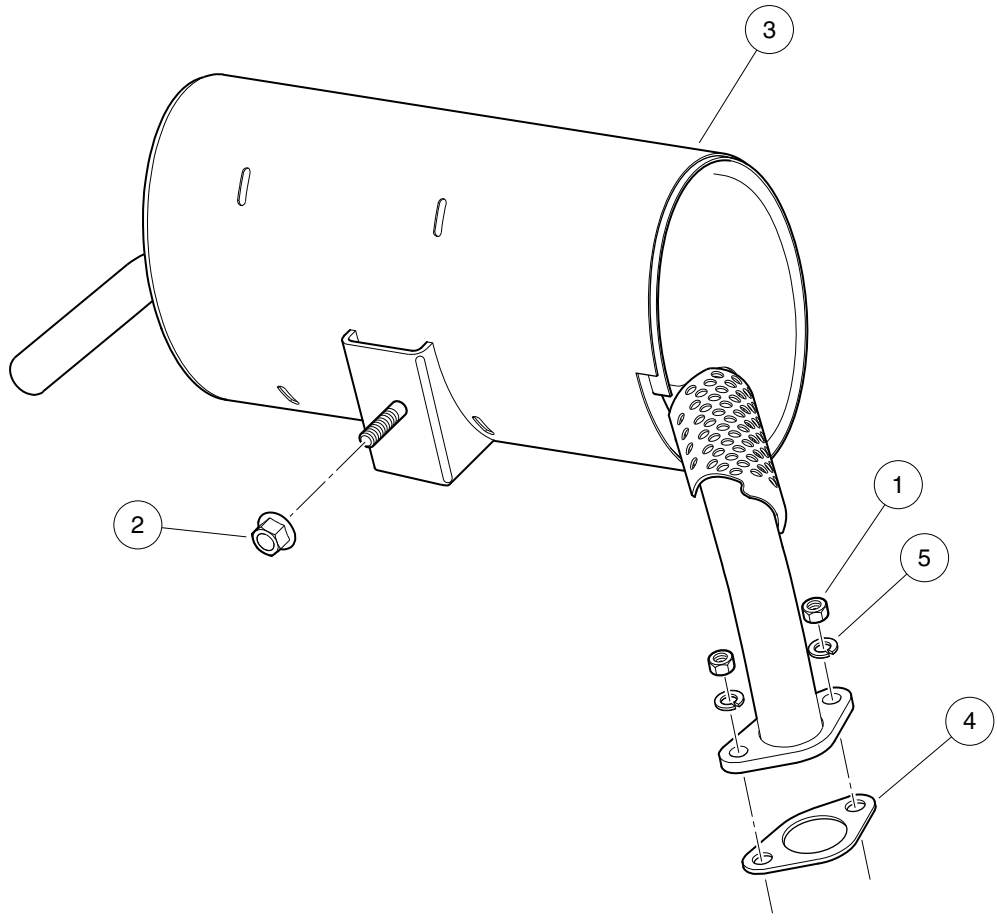
10

G

EXHAUST SYSTEM, GOLF – SUBARU EX40

11

G



000948-004

EXHAUST SYSTEM, GOLF – SUBARU EX40

ITEM	PART NO.	DESCRIPTION	QTY
		1 2 3 4	
1	1012528	Nut, M8-1.25 Hex	2
2	102617201	Nut, Flanged, M10 X 1.5, Mechanically Deformed	1
3	105076201	Exhaust System, EX40	1
4	47539957001	Gasket, Exhaust, Ex40, Graphite	1
5	7174	Lockwasher, 5/16 Split	2

11

G

11

G

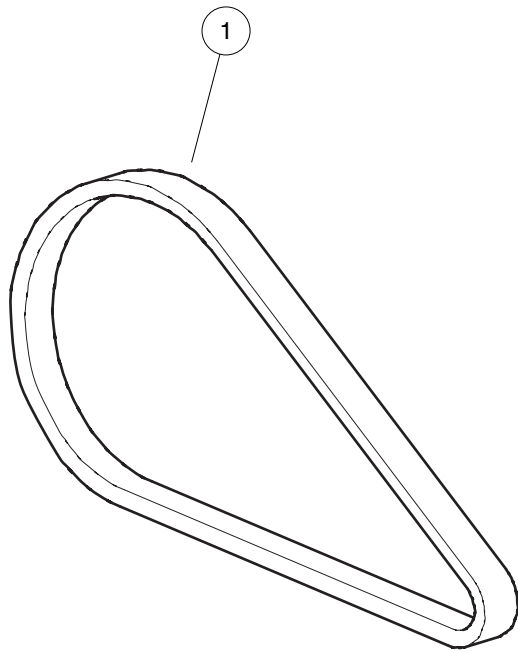
DRIVE BELT AND CLUTCHES – SUBARU EX40

12

G

12

G



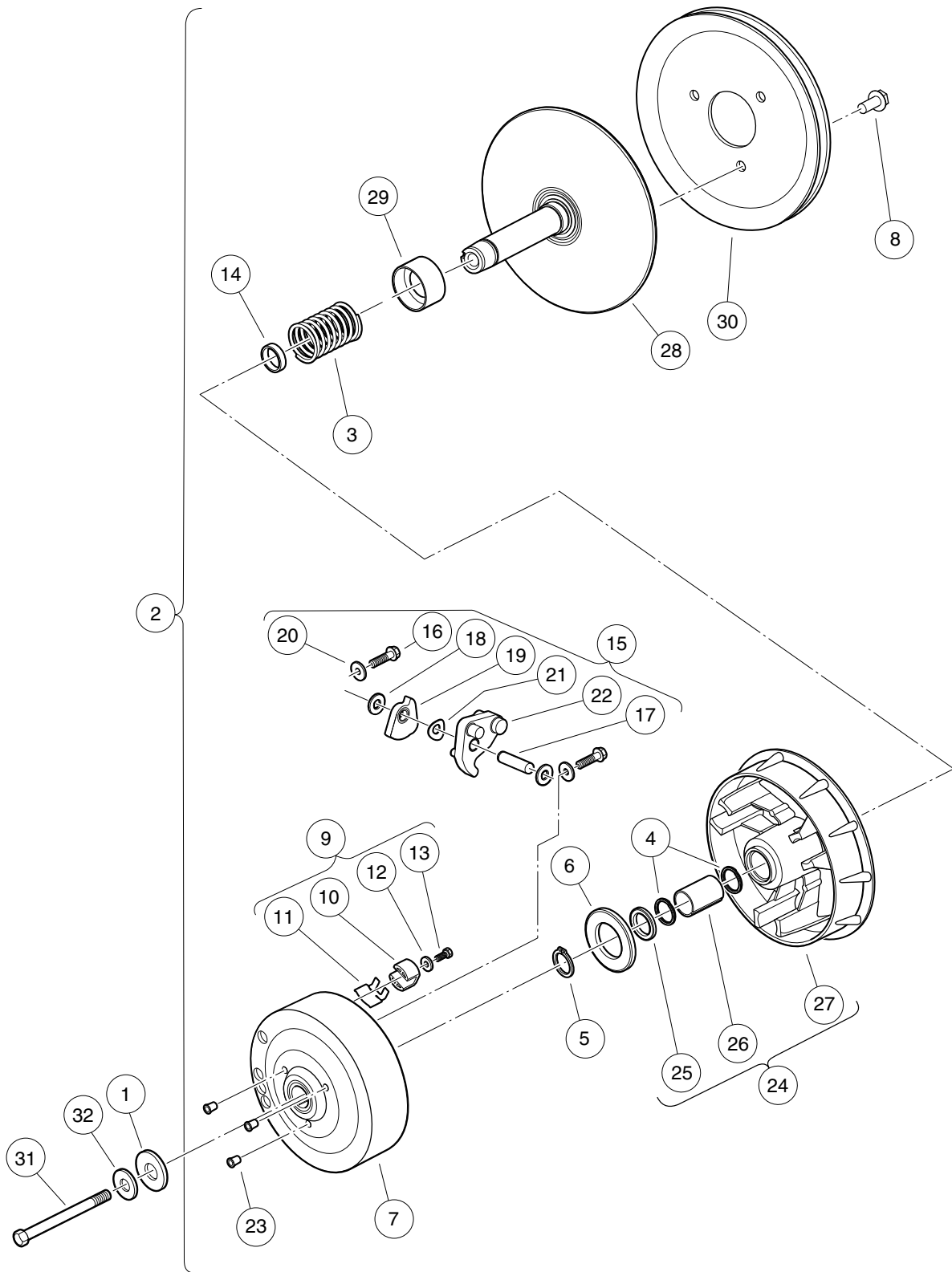
000918-001

DRIVE BELT – PEDAL-START VEHICLES WITH EFI

ITEM	PART NO.	DESCRIPTION	QTY
1	105245801	1 2 3 4 Belt, Drive, Pedal-Start	1

12

G



000958-001

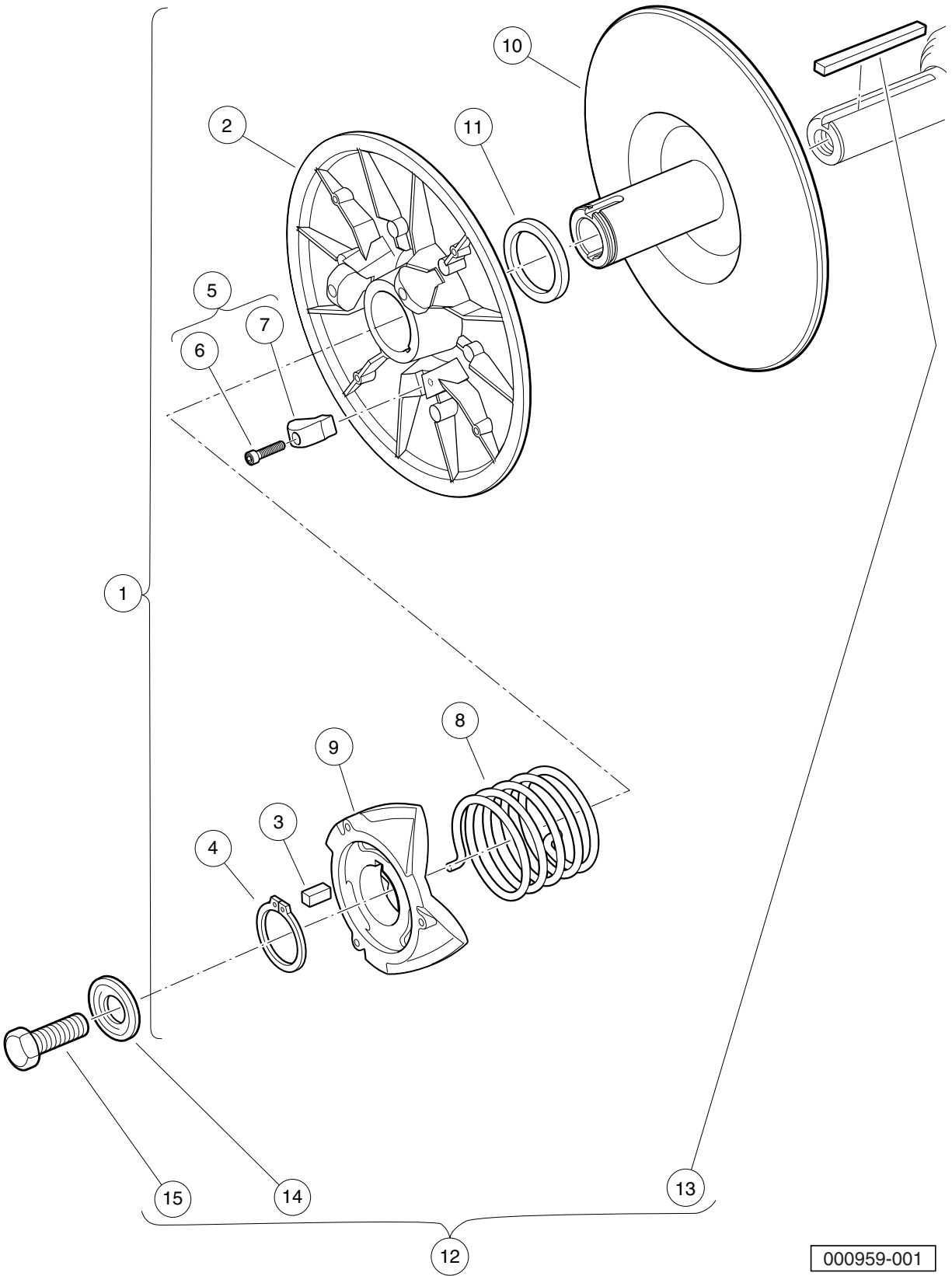
DRIVE CLUTCH – PEDAL-START VEHICLES WITH EFI

ITEM	PART NO.	DESCRIPTION	QTY
		1 2 3 4	
1	102491501	Washer, Hard, M10	1
2	103973901	Clutch, Drive, Pedal-Start (includes items 3 through 30)	1
3	1014051	Spring, Drive Clutch	1
4	1014056	Ring, Spiral Backup	2
5	1014057	Ring, 0.810" Internal Retaining	1
6	1014058	Thrust Washer	1
7	1014059	Drive Hub Assy, Drive Clutch	1
8	1014288	Screw, 5/16-18 X 0.75, Thread-Forming	3
9	1014453	Kit, Drive Clutch Button (includes items 10 through 13)	1
10	1014062	Driver, Drive Clutch	3
11	1014287	Spring, Drive Button	3
12	183	Washer, #10, Type A, Flat	3
13	8450	Screw, #10-24 X 0.50, Hex-Head	3
14	1016289	Spacer, Fixed Face Shaft	1
15	1016801	Kit, Drive Clutch Weight (includes items 16 through 22)	1
16	1014063	Screw, 1/4-20 X 1.00, Hex Head	6
17	N/A	Pin, Dowel, 0.3752 x 1.50	3
18	1014065	Washer, Flat, 0.38" ID, Delrin	6
19	N/A	Clutch Weight, Secondary	3
20	N/A	Washer	6
21	1016201	Washer, Wave	3
22	N/A	Weight, Primary	3
23	N/A	Cap Plug	3
24	103974201	Asm, Sheave, Moveable, Drive, Wr (includes items 25 through 27)	1
25	1014055	Retainer	1
26	N/A	Bushing, Split, Drive Clutch	1
27	N/A	Sheave, Moveable, Drive, Wr	1
28	103974401	Sheave, Fixed, Drive, Wr	1
29	103984601	Spacer, Idler, Drive	1
30	105096101	Pulley, 7.3 Inch Effective Dia	1
31	103976101	Screw, 3/8-24x5.75, Patch	1
32	334	Washer, 3/8, Type A, Flat	1

12

G

12
G



000959-001

DRIVEN CLUTCH – ALL GASOLINE VEHICLES WITH EFI

ITEM	PART NO.	DESCRIPTION	QTY
		1 2 3 4	
1	103974002	Clutch, Driven, Std-Speed, Key and Pedal Start (includes items 2 through 11)	1
2	1014072	Movable-Face Assembly with Bushing	1
3	1014078	Key, Driven Clutch	1
4	1014080	Ring, Retaining	1
5	1014454	Kit, Driven Clutch Button (includes items 6 and 7)	1
6	1012836	Screw, #8-32 X 3/4, Socket-Head Cap	3
7	N/A	Button, Drive	3
8	1017145	Spring, Driven Clutch, 55 Degree	1
9	1017686	Cam, Driven Clutch	1
10	103975301	Sheave, Fixed, Driven, Wr	1
11	104025101	Washer, Acetal, Driven Clutch	1
12	AM10419	Kit, Clutch Repair (includes items 13 through 15)	1
13	101833401	Key, 3/16 Sq X 1.50"	1
14	102155801	Washer, Driven Clutch	1
15	102242101	Screw, 5/16-18 X 3/4 Hex-Head with Patch	1

12
G

12

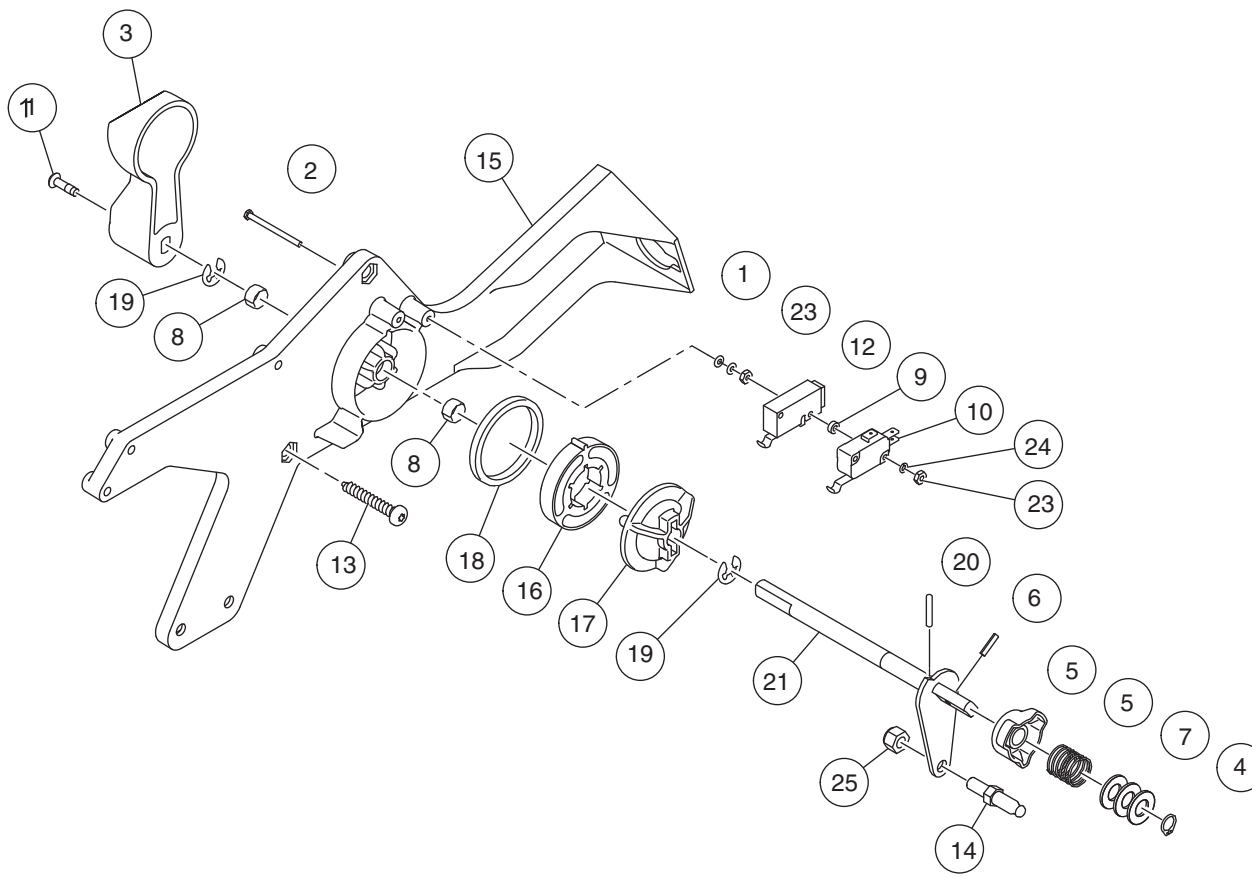
G

TRANSAXLE, FUJI ED65 (FOR SUBARU EX40)

13

G

13
G



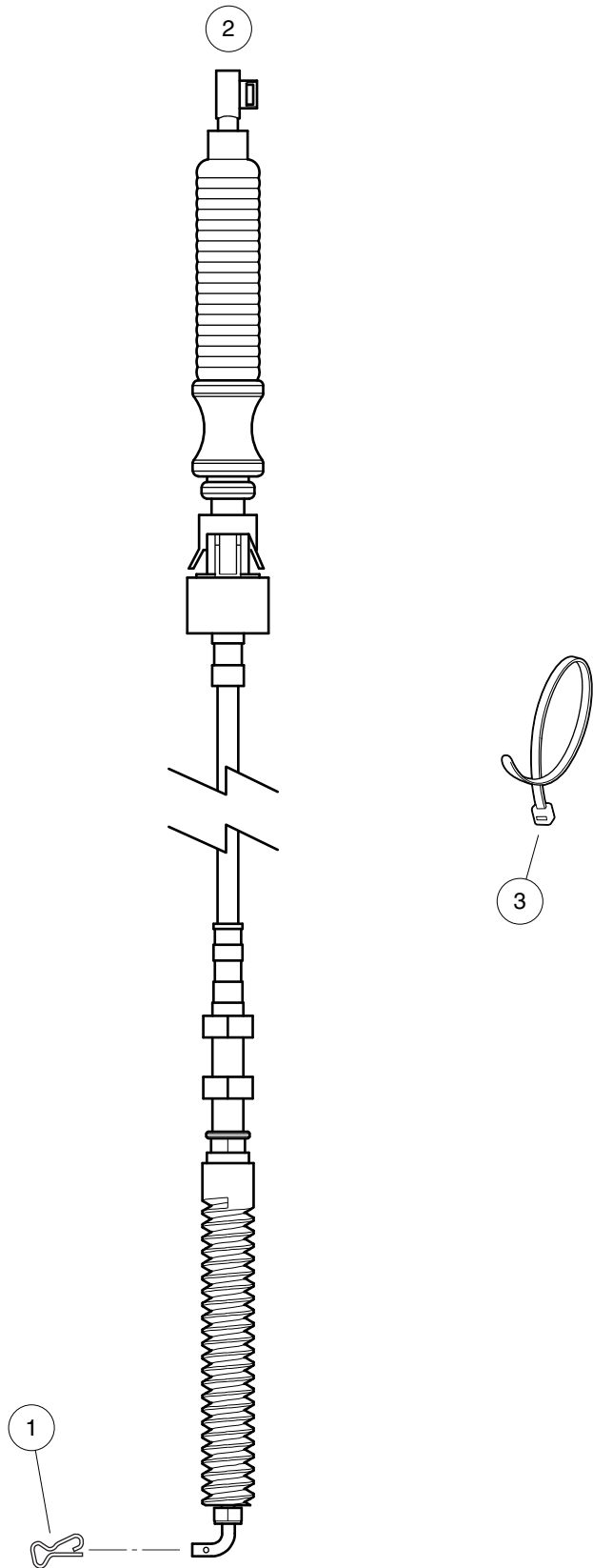
001063-001

FORWARD/REVERSE SHIFTER ASSEMBLY – EFI

ITEM	PART NO.	DESCRIPTION	QTY
		1 2 3 4	
1	1012431	Washer, #4 Flat	4
2	1012594	Screw, #4-40 Machine	2
3	1012987	Handle, FNR	1
4	1013589	Ring, Retaining, 0.338" Internal	1
5	1013590	Spring, FNR Cam	1
6	1013591	Pin, Roll, 1/8 X 1/2	1
7	1014065	Washer, Flat, 0.38" ID, Delrin	3
8	1014145	Bushing, Secondary Weight, Split	2
9	1014727	Washer, Flat, #4, Nylon	2
10	1014807	Switch, Limit	1
11	1015064	Screw, #8-32 X 0.63 Machine	1
12	101979101	Switch, Limit, Assembly, Sealed	1
13	102296040	Screw, Torx Pan Hd Pt, M6 X 40	3
14	102526201	Stud, Thread, 1/4-28	1
15	105037501	Housing, Gas FNR Body Shift	1
16	105037601	Cam, FNR Detent, 45 Degree	1
17	105037701	Follower, FNR Detent	1
18	105038501	Spring, Wave, Gas FNR Shifter	1
19	105039801	E-Clip, External, 8mm Groove	2
20	105040401	Pin, Round, 0.125 Dia x 0.625	1
21	105041101	Weldment, Shaft, Fnr	1
22	105074101	Cam, Neutral Lockout, EX40	1
23	8057	Nut, #4-40 Hex Machine	4
24	8058	Lockwasher, #4 Split	2
25	8717	Locknut, Nylon Insert, 1/4-28	1

13

G

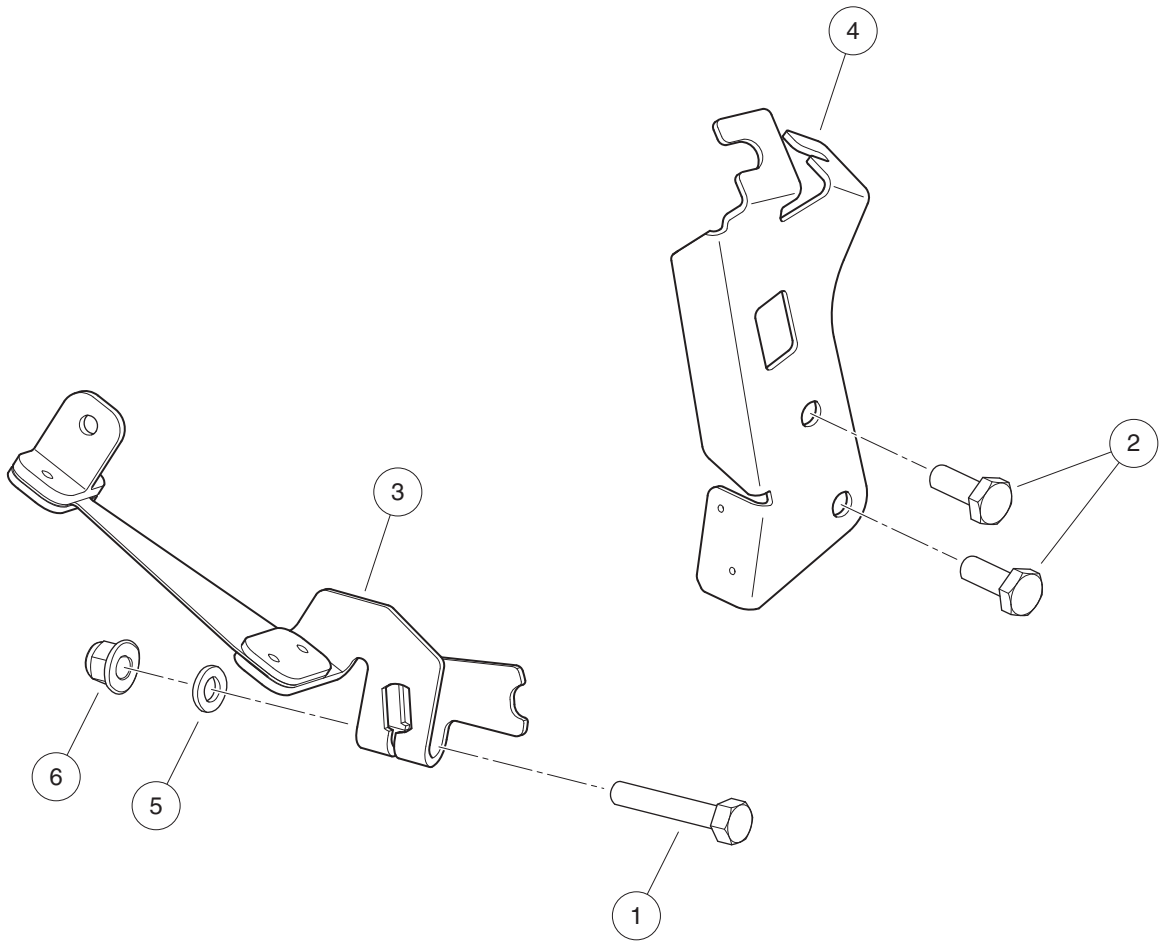


000988-001

SHIFTER CABLE

ITEM	PART NO.	DESCRIPTION	QTY
1	103886601	1 2 3 4 Clip, Bowtie	1
2	105038801	Cable, Shifter	1
3	8990	Tie Wrap, 8" Nylon	A/R

13
G



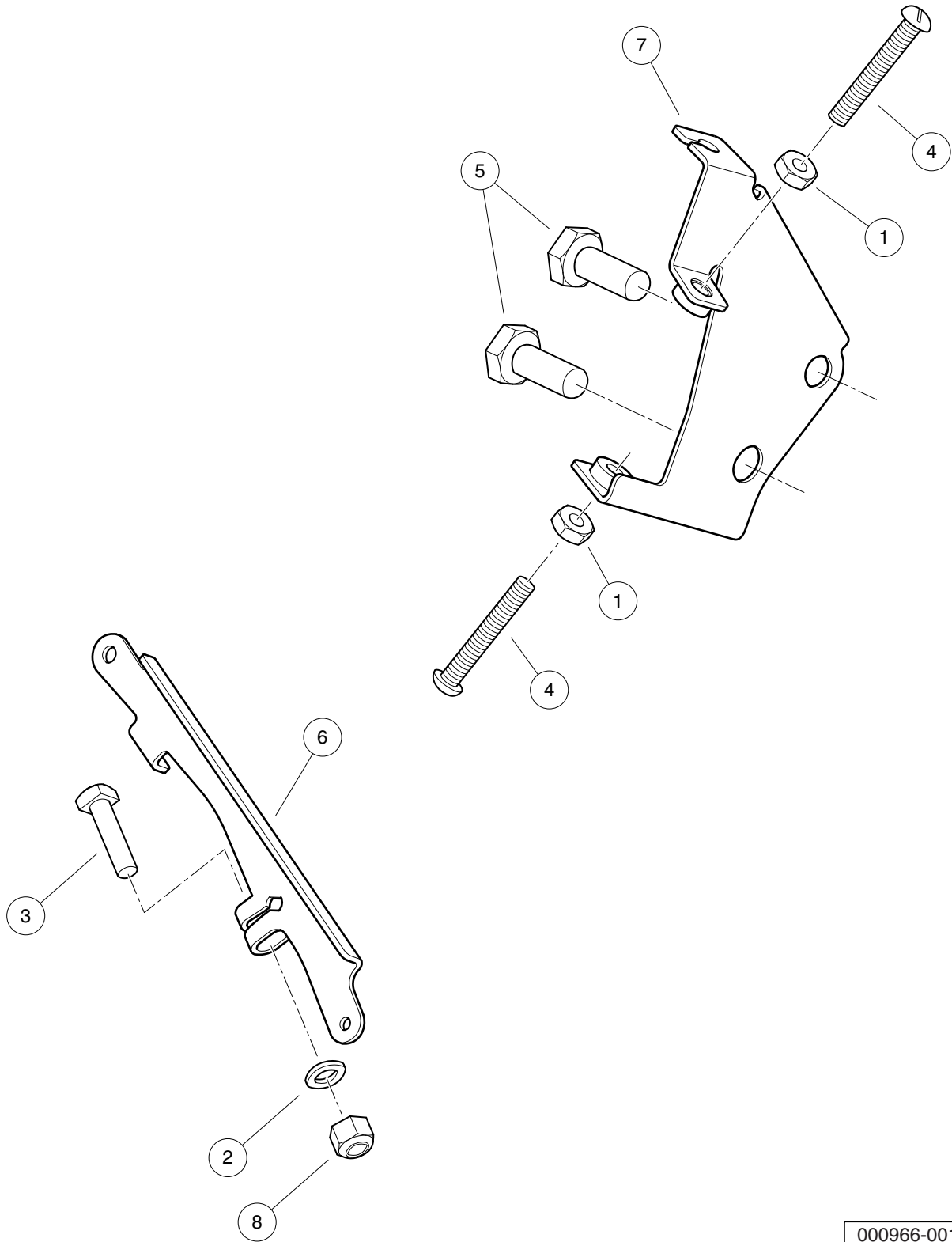
000965-003

SHIFT LEVER AND BRACKET – PEDAL-START ENGINES

ITEM	PART NO.	DESCRIPTION	QTY
		1 2 3 4	
1	101862001	Screw, 1/4-20 X 1.500 Flange	1
2	102498201	Bolt, M10 X 1.25 X 25, Loctite	2
3	105040901	Lever, Shift, Flex, Transaxle, Pedal-Start	1
4	105135101	Bracket, Cable, FNR/Accelerator, ED65	1
5	332	Washer, 1/4 Type A Narrow Flat	1
6	8233	Locknut, 1/4-20, Nylon Insert	1

13

G



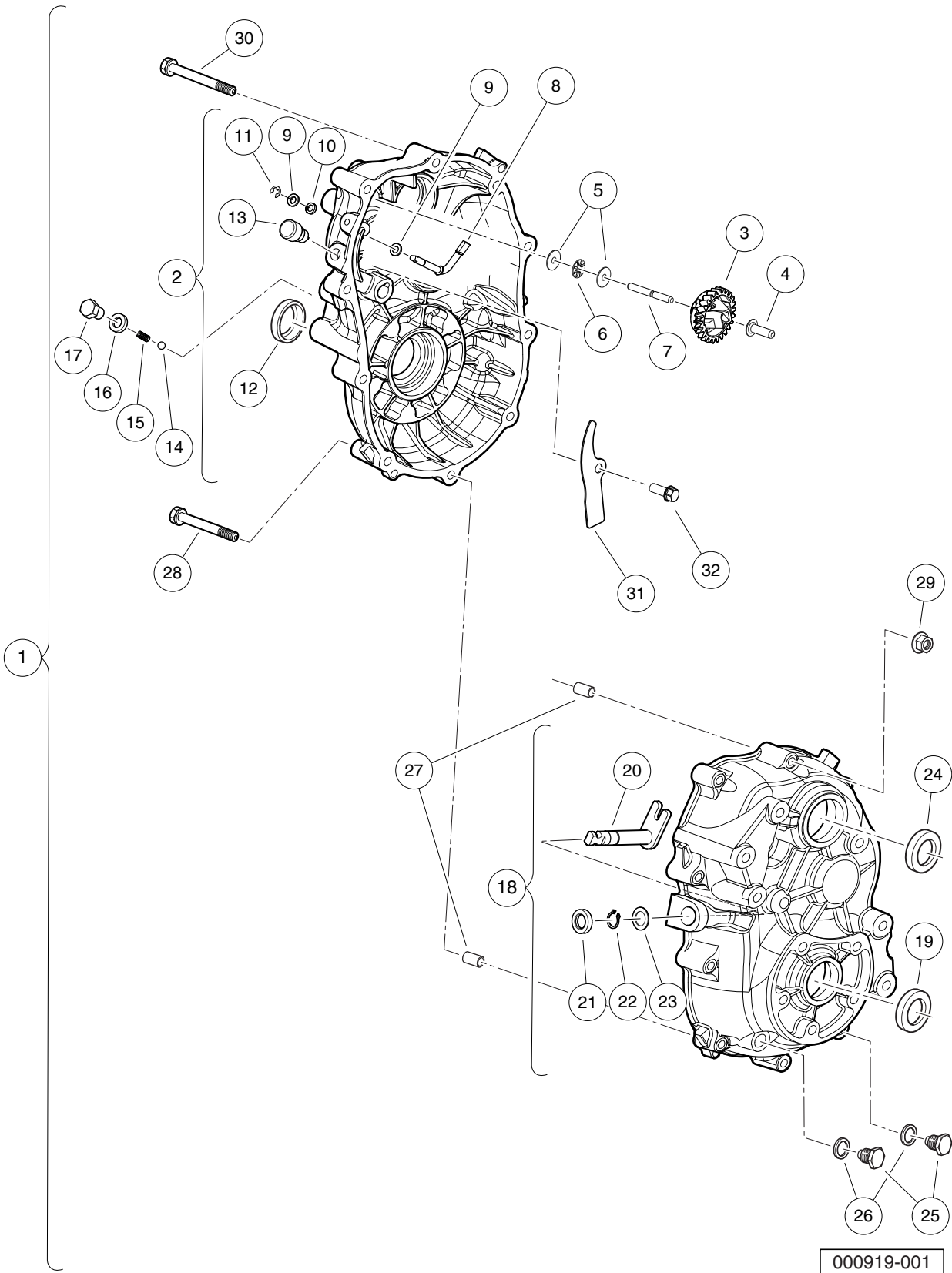
000966-001

GOVERNOR ARM AND BRACKETS

ITEM	PART NO.	DESCRIPTION	QTY
		1 2 3 4	
1	1011114	Nut, M6-1.00 Hex	2
2	1014007	Washer, 1/4, Flat	1
3	101886101	Screw, 1/4-20 X 1.00, Square-Head	1
4	102476401	Bolt, Stop, Pedal	2
5	102498201	Bolt, M10 X 1.25 X 25, Loctite	2
6	104023501	Arm, Governor, ED65	1
7	105144401	Weldment, Governor Bracket	1
8	8233	Locknut, 1/4-20, Nylon Insert	1

13

G



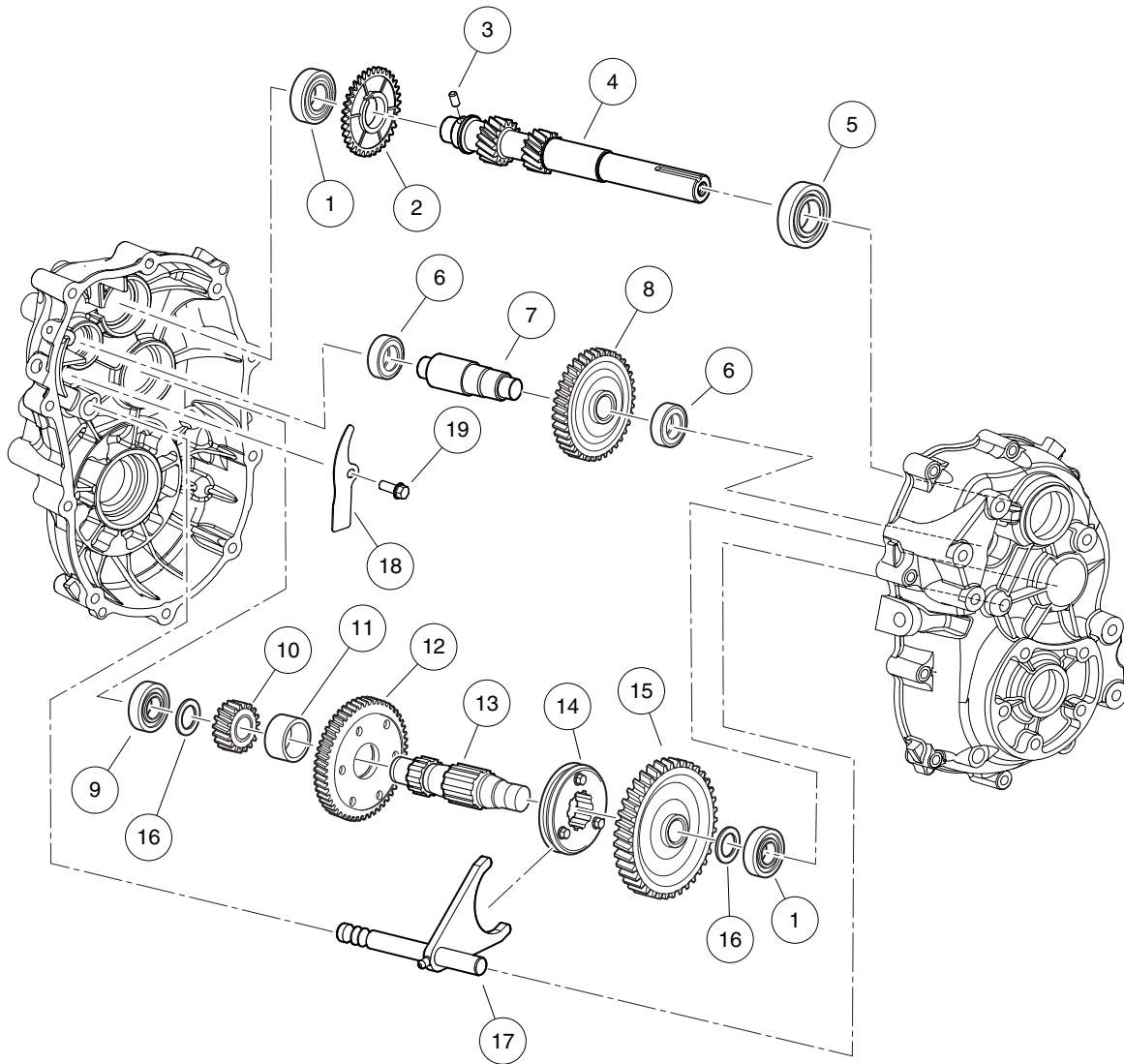
000919-001

TRANSAXLE (ED65), OPEN – PAGE 1 OF 3

ITEM	PART NO.	DESCRIPTION	QTY
		1 2 3 4	
1	103879701	Transaxle, ED65, Open Differential (includes items 2 through 32)	1
2	105025001	Case, Transaxle, Left, Complete, ED65 (includes items 3 through 13)	1
3	105025101	Gear, Governor, Complete, ED65	1
4	105025201	Sleeve, Governor, ED65	1
5	105025301	Washer, ED65	2
6	105025401	Bearing, Thrust, ED65	1
7	105025501	Shaft, Governor Gear, ED65	1
8	105025601	Shaft, Governor, ED65	1
9	105025701	Washer, 6mm, ED65	2
10	105025801	Seal, Oil, 6x10x2.5, ED65	1
11	105025901	Retaining Ring, E5, ED65	1
12	105026001	Seal, Oil, 24x40x9, ED65	1
13	105027101	Vent, Breather, ED65	1
14	105026101	Ball, Steel, ED65	1
15	105026201	Spring, ED65	1
16	105026301	Gasket, 10, ED65	1
17	105026401	Bolt, M10-1.25x12mm Lg, ED65	1
18	105026501	Case, Transaxle, Right, Complete, ED65 (includes items 19 through 24)	1
19	105026001	Seal, Oil, 24x40x9, ED65	1
20	105026601	Shaft, Select, ED65	1
21	105026701	Seal, Oil, 13x22x5, ED65	1
22	105026801	Snap Ring, 13mm, ED65	1
23	105026901	Spacer, 13x1, ED65	1
24	105027001	Seal, Oil, 25x45x7, ED65	1
25	105027201	Plug, Oil Drain, ED65	2
26	105027301	Gasket, 14, ED65	2
27	105028301	Pin, Guide, ED65	2
28	105028501	Bolt, Flange, M8-1.25x65mm, ED65	1
29	105030001	Nut, Flange, M8-1.25, ED65	10
30	105030701	Bolt, Flanged, M8-1.25x80mm, ED65	9
31	105234801	Plate, Ed65 Splash	1
32	105234901	Bolt, M6-1 X 12mm Lg, Ed65	1
<p>Note: Fuji transaxle component listings span three pages. To identify your transaxle, locate the serial number decal on the axle tube.</p>			

13

G



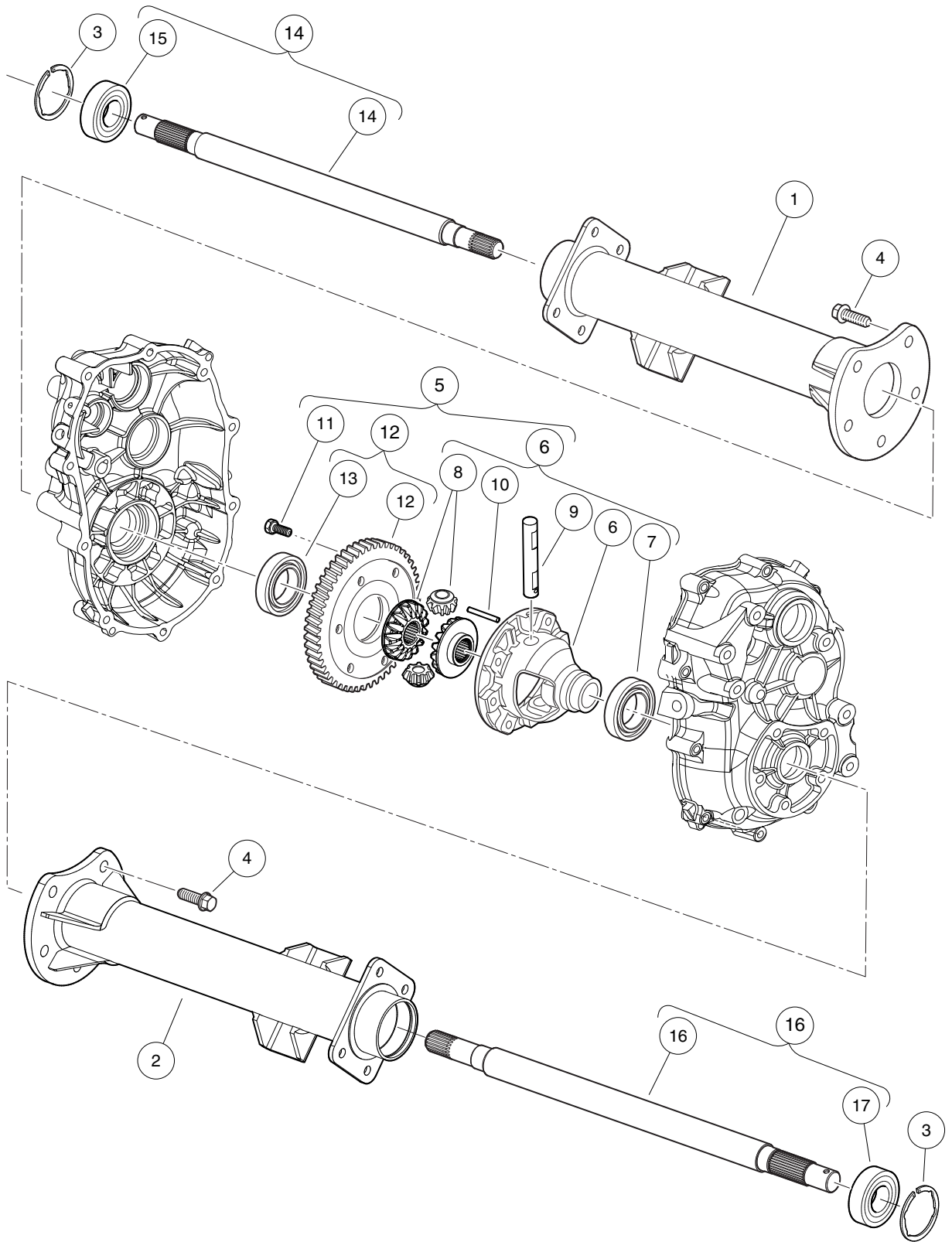
000919-007

TRANSAXLE (ED65), LIMITED SLIP AND OPEN – PAGE 2 OF 3

ITEM	PART NO.	DESCRIPTION	QTY
		1 2 3 4	
1	105027401	Bearing, Ball (6204)	2
2	105027501	Gear, Governor, 34 Tooth, ED65	1
3	105027601	Pin, 6x12 Long, ED65	1
4	105027701	Shaft, Input, ED65	1
5	105027801	Bearing, Ball (6205 seal)	1
6	105027901	Bearing, Ball (6202)	2
7	105028001	Shaft, Counter, ED65	1
8	105028201	Gear, 34 Tooth, ED65	1
9	105028401	Bearing, Ball (6304)	1
10	105028601	Gear, 17 Tooth, ED65	1
11	105028701	Collar, 24 x 12, ED65	1
12	105028801	Gear, 52 Tooth, ED65	1
13	105028901	Shaft, Center, ED65	1
14	105029001	Clutch, Pin, ED65	1
15	105029101	Gear, 62 Tooth, ED65	1
16	105029201	Spacer, 20x2, ED65	2
17	105030901	Shaft, Shift, ED65	1
18	105234801	Plate, Ed65 Splash	1
19	105234901	Bolt, M6-1 X 12mm Lg, Ed65	1
Note: To identify your transaxle, locate the serial number decal on the axle tube.			

13

G



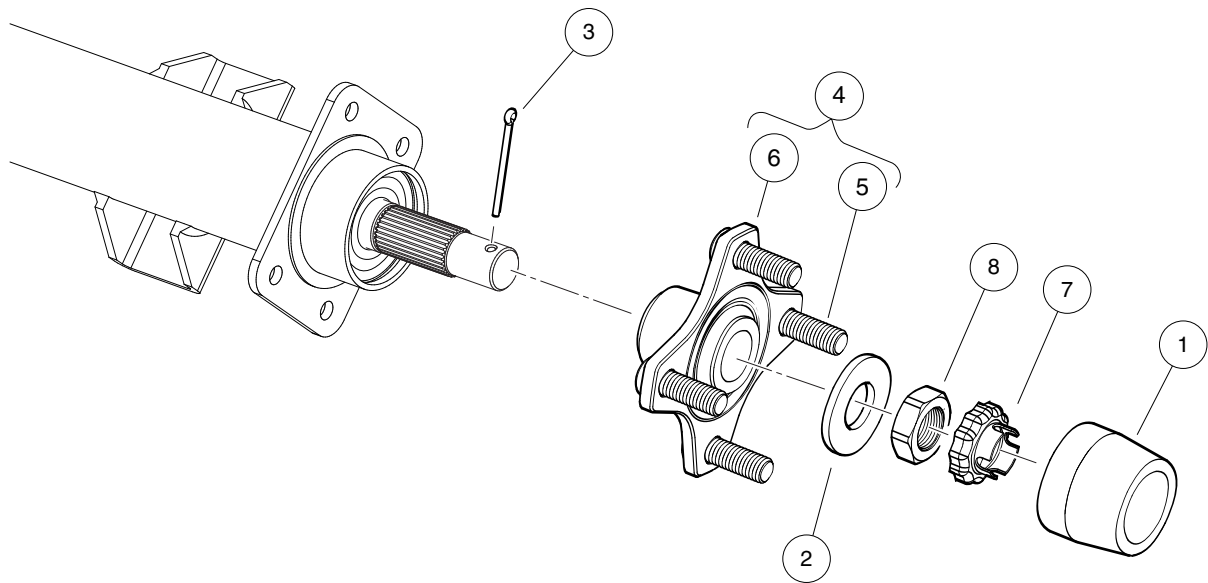
000919-004

TRANSAXLE (ED65), OPEN – PAGE 3 OF 3

ITEM	PART NO.	DESCRIPTION	QTY
		1 2 3 4	
1	105030401	Axle Tube, Driver-Side, ED65	1
2	105030501	Axle Tube, Passenger-Side, ED65	1
3	105030601	Snap Ring, 52mm, ED65	2
4	105030801	Bolt, Flange, M10-1.25x25, ED65	10
5	105031001	Differential, Open, ED65 (includes items 6 through 12)	1
6	105029301	Case, Differential, Complete, ED65 (includes items 7 through 10)	1
7	105028101	Bearing, Ball (6006)	1
8	105029401	Gear Set, Differential, ED65	1
9	105029601	Shaft, Differential, ED65	1
10	105029701	Pin, 4x40 Long, ED65	1
11	105029501	Bolt, M10-1.25x26mm Lg, ED65	6
12	105029901	Gear, 60 Tooth, Complete, ED65 (includes item 13)	1
13	105029801	Bearing, Ball (6007)	1
14	105066001	Axle Shaft, Driver-Side, Complete, ED65 (includes item 15)	1
15	105030301	Bearing, Ball (6205DD)	1
16	105066101	Axle Shaft, Passenger-Side, Complete, ED65 (includes item 17)	1
17	105030301	Bearing, Ball (6205DD)	1
		Note: To identify your transaxle, locate the serial number decal on the axle tube.	

13

G



000919-006

HUB, REAR

ITEM	PART NO.	DESCRIPTION	QTY
		1 2 3 4	
1	102274101	Center Cap, Rubber	2
2	102617801	Washer, Hard, M22	2
3	103989501	Pin, Cotter, 9/64 X 1.75"	2
4	103995001	Asm, Hub, Machined (includes items 5 and 6)	2
5	103951501	Lug Stud, 1/2-20 UNF, SAE J1102	4
6	103979301	Hub, Machined	1
7	104021701	Retaining Ring, Hex Nut, M22	2
8	104027101	Nut, Hex, M22x1.5, Thin	2

13
G

13

G

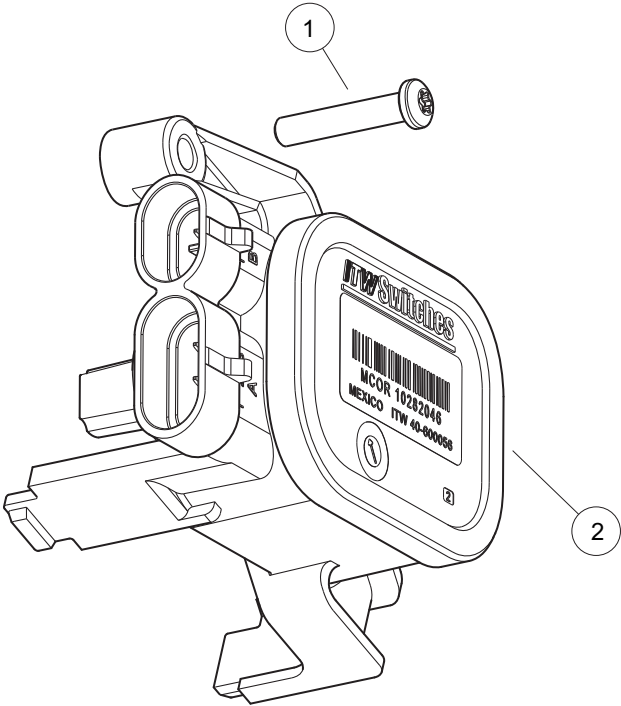
ELECTRICAL SYSTEM – EXCEL WITH HIGH FREQUENCY CHARGERS

14

E

14

E



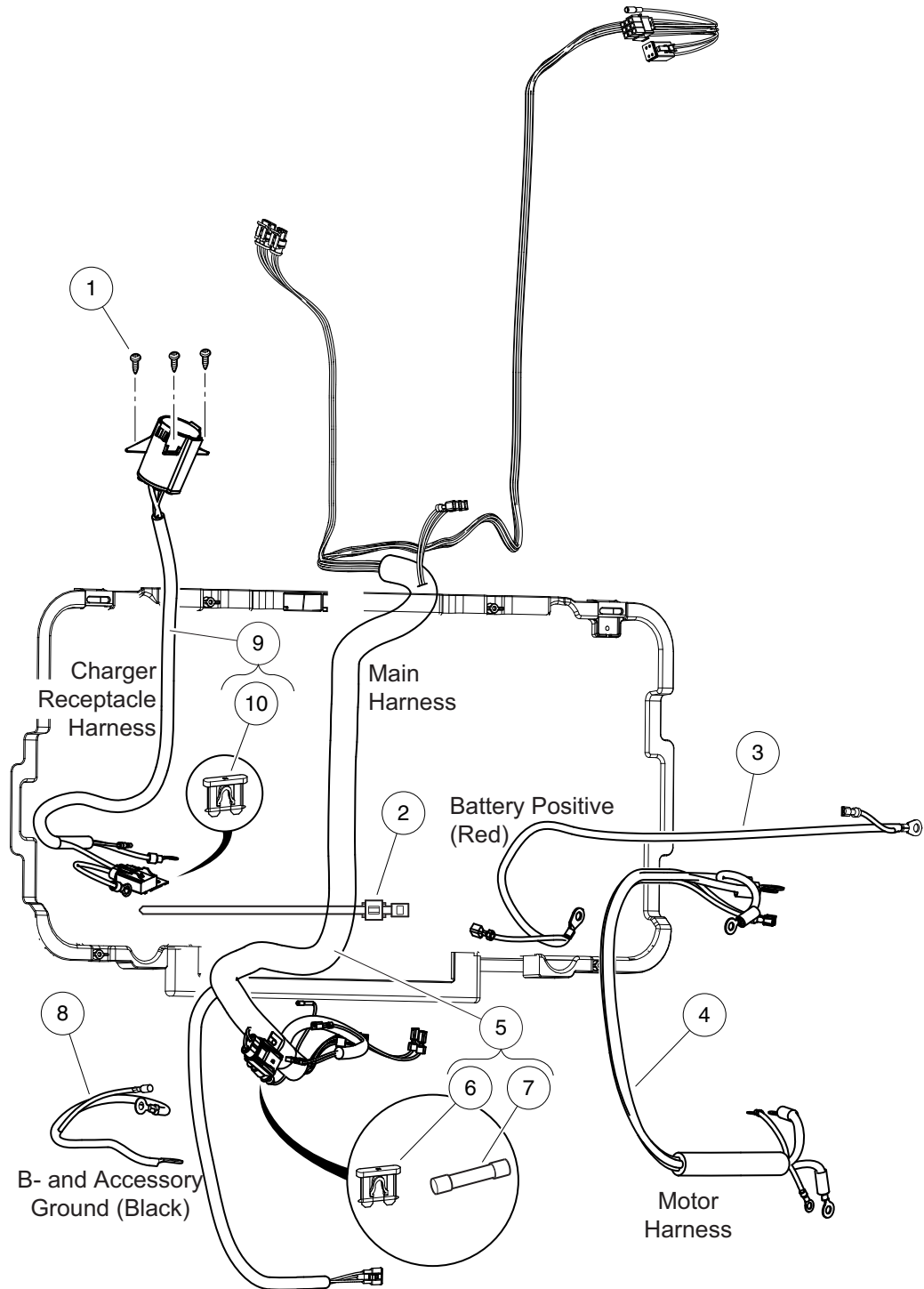
000243-005

MOTOR CONTROLLER OUTPUT REGULATOR (MCOR)

ITEM	PART NO.	DESCRIPTION	QTY
1	103943401	1 2 3 4 Screw, Pan, #10 X 1.00 Hi-lo	1
2	105116301	MCOR4, Type 16 Switch	1

14

E



000647-002

WIRING AND FUSES

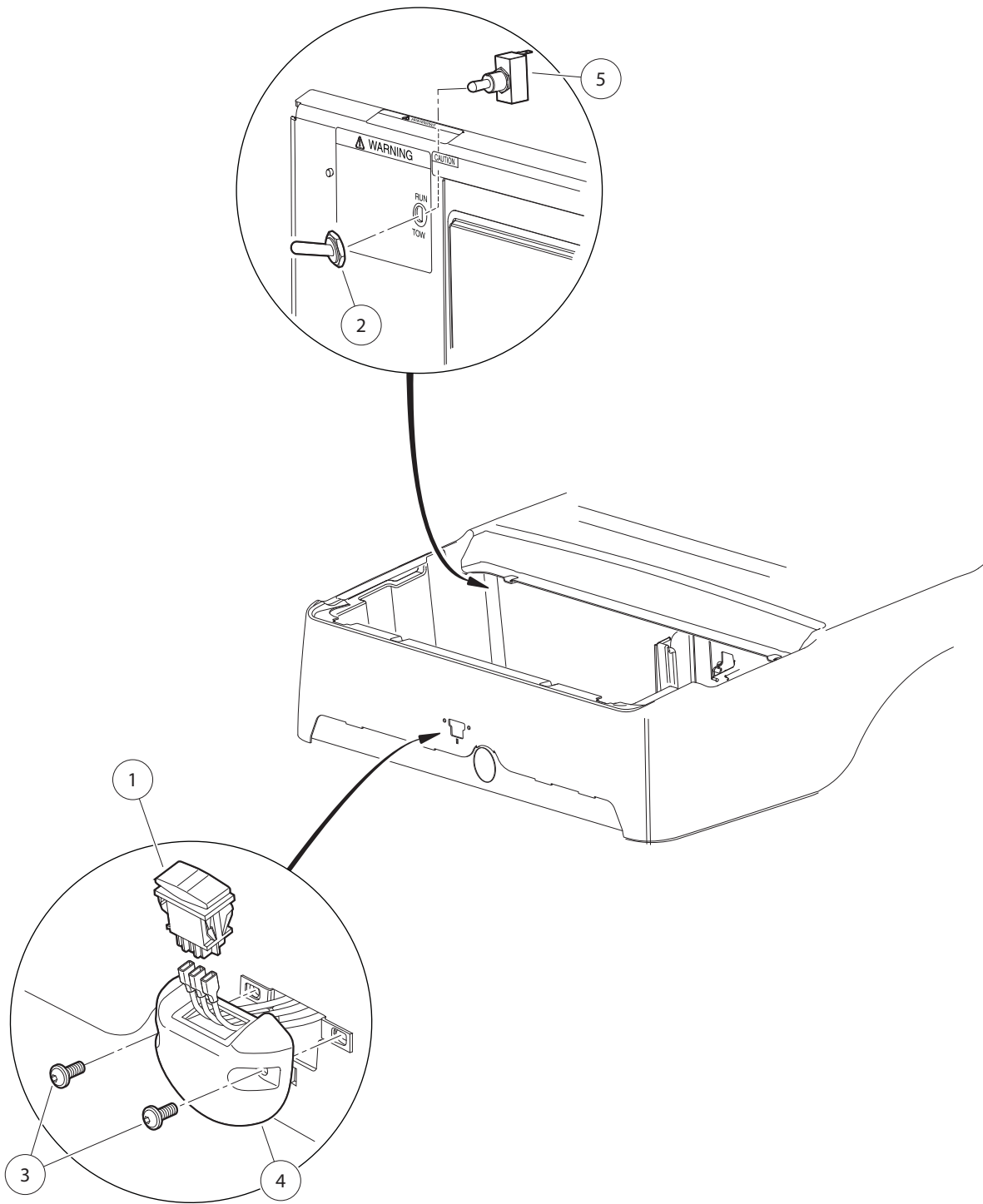
ITEM	PART NO.	DESCRIPTION	QTY
		1 2 3 4	
1	101832001	Screw, #7-19 X 0.625 Phillips Pan-Head Tap	3
2	102554901	Clip, Edge, with Wire Tie	1
3	103375402	Asm, Wire, Battery Positive, B+, Short	1
4	103375702	Asm, Harness, Motor 1/4	1
5	104023201	Harness, Main, Excel w/Hi-Freq, Mcor3 (includes items 6 and 7)	1
6	102538601	15 Amp Fuse	1
7	103924801	Fuse, Glass, 2-Amp	1
8	104024001	Asm, Wire, Battery Negative, B-, w/ Accy Ground	1
9	105137401	Harness, Wire, Charger Receptacle (for Yellow DC Cord) (includes item 10)	1
10	102492301	Fuse, 30-Amp	1
11	8639	Tie Wrap, 11" Nylon	A/R
12	8990	Tie Wrap, 8" Nylon	A/R
Note: Items 11 and 12 not shown.			

14

E

14

E



000462-004

FORWARD/REVERSE SWITCH AND TOW/RUN SWITCH

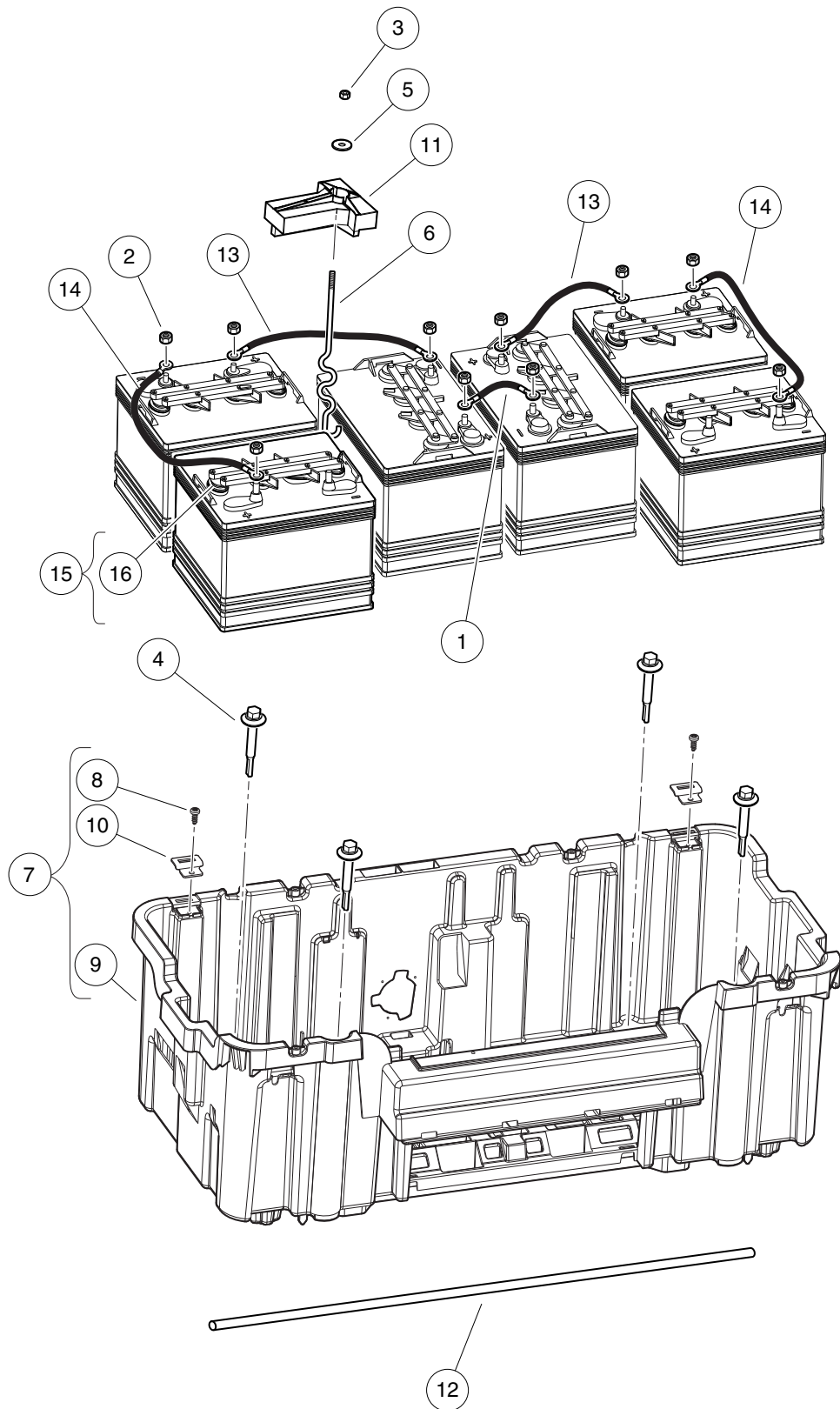
ITEM	PART NO.	DESCRIPTION	QTY
		1 2 3 4	
1	101856001	Switch, Rocker, Double-Pole	1
2	101908401	Boot, Switch	1
3	102296920	Screw, M6, Torx Button Head, Sems	2
4	102508401	Housing, FNR Electric	1
5	102511101	Switch, Tow	1

14

E

14

E



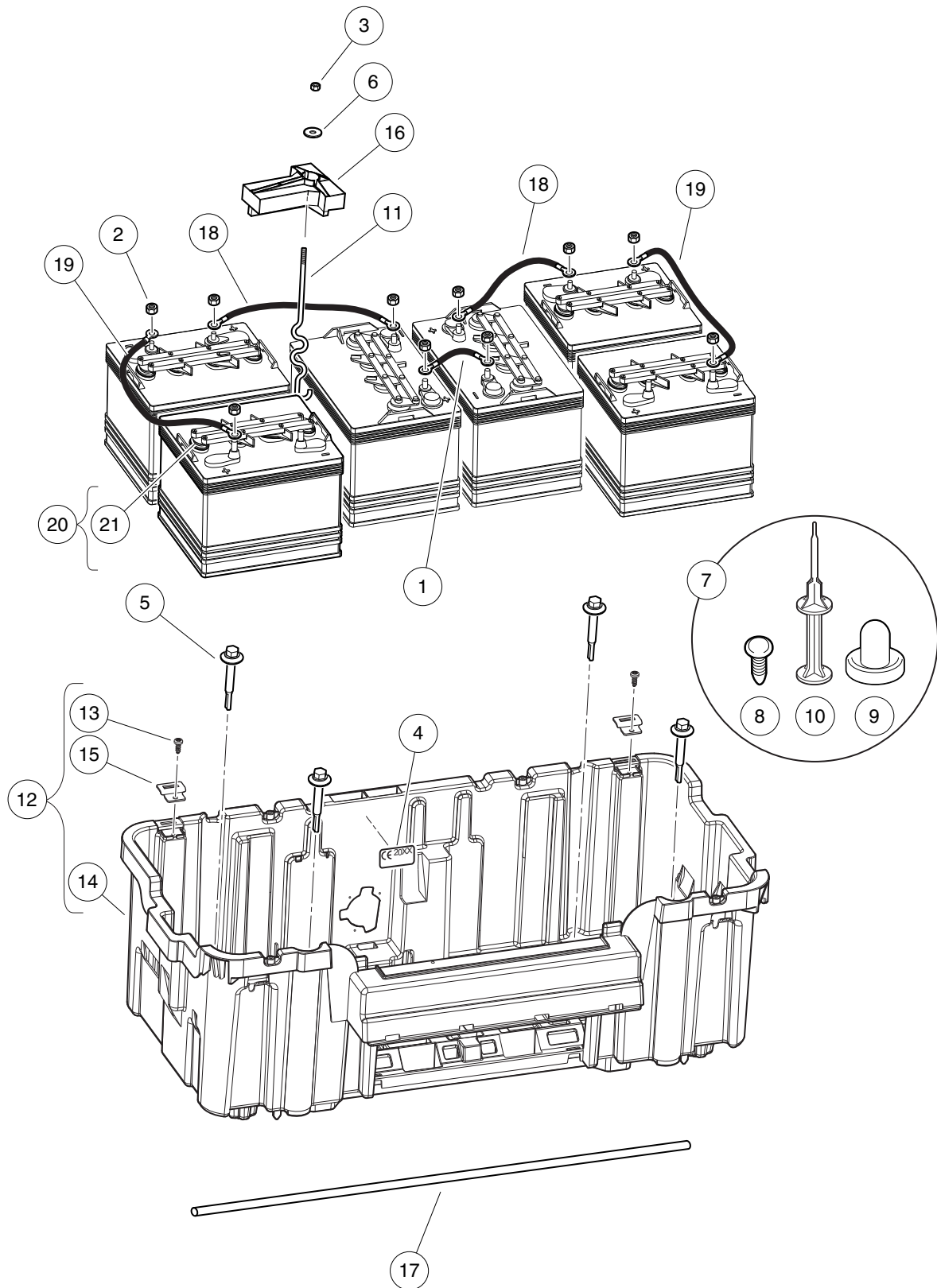
000682-001

BATTERIES AND BATTERY BUCKET, PD+ 8-VOLT

ITEM	PART NO.	DESCRIPTION	QTY
		1 2 3 4	
1	1010958	Asm, Wire, #6blk 8in	1
2	1014304	Nut, 5/16-18 Stainless-Steel Hex	12
3	1014555	Locknut, 7/16-14 Nylon Hex	2
4	102292356	Screw-1/4-20x56 Hwh Self Drill	4
5	102491501	Washer, Hard, M10	2
6	103357701	Bolt, Battery, "s" Hold-down	2
7	103368401	Asm, Bucket, Batt, Elec (includes items 8 through 10)	1
8	102298020	Screw, K80x20, Torx Pn Hd Pt	2
9	N/A	Bucket, Batt, Elec	1
10	103368301	Hinge - Nested	2
11	103374801	Hold Down, Battery	2
12	103375301	Tube, Cross, Battery Rod	1
13	103647402	Wire Asm #6 Blk, 12"	2
14	103647403	Wire Asm #6 Blk, 17"	2
15	105138301	Battery, 8-Volt, JCI GC8 Type E (includes item 16)	6
16	103765601	Cap, Spin, 8-Volt Battery	1

14

E



000682-002

BATTERIES AND BATTERY BUCKET, PD+ 8-VOLT, CE

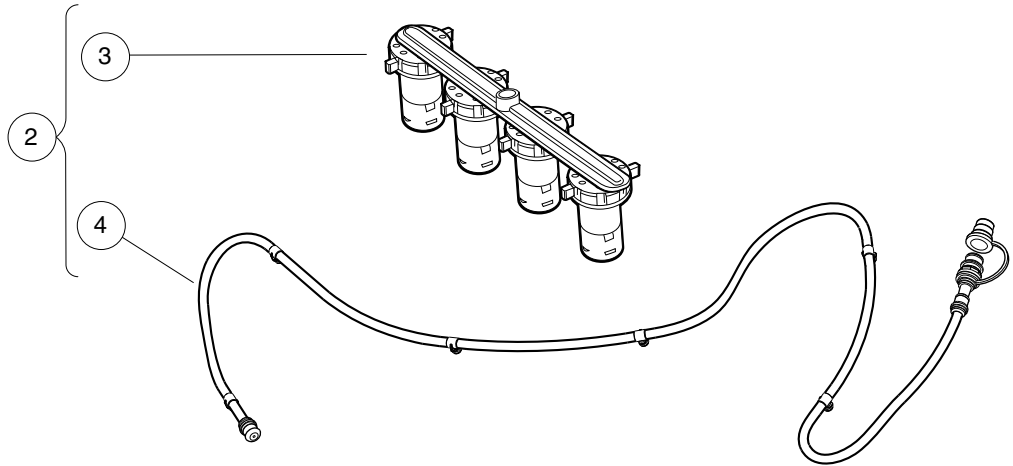
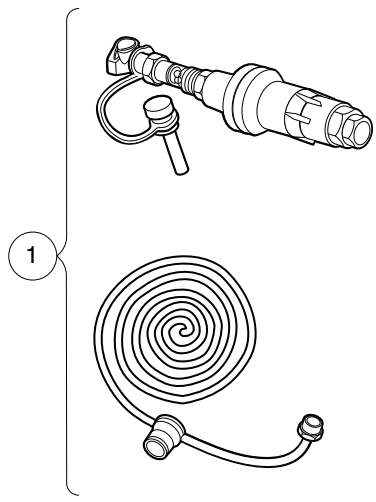
ITEM	PART NO.	DESCRIPTION	QTY
		1 2 3 4	
1	1010958	Asm, Wire, #6blk 8in	1
2	1014304	Nut, 5/16-18 Stainless-Steel Hex	12
3	1014555	Locknut, 7/16-14 Nylon Hex	2
4	101865805	Ce - Decal	1
5	102292356	Screw-1/4-20x56 Hwh Self Drill	4
6	102491501	Washer, Hard, M10	2
7	102571202	Kit Ce Plug - Bucket Elec (includes items 8 through 10)	1
8	1010434	Barrel - Plastic	2
9	N/A	Plug, 1/2", CE Bucket	6
10	N/A	Install Tool, CE Bucket Plug	1
11	103357701	Bolt, Battery, "s" Hold-down	2
12	103368401	Asm, Bucket, Batt, Elec (includes items 13 through 15)	1
13	102298020	Screw, K80x20, Torx Pn Hd Pt	2
14	N/A	Bucket, Batt, Elec	1
15	103368301	Hinge - Nested	2
16	103374801	Hold Down, Battery	2
17	103375301	Tube, Cross, Battery Rod	1
18	103647402	Wire Asm #6 Blk, 12"	2
19	103647403	Wire Asm #6 Blk, 17"	2
20	105138301	Battery, 8-Volt, JCI GC8 Type E (includes item 21)	6
21	103765601	Cap, Spin, 8-Volt Battery	1
		Note: The CE-specific parts shown are required for vehicles sold in the European Union.	

14

E

14

E



000731-009

SINGLE POINT WATERING SYSTEM, 8V

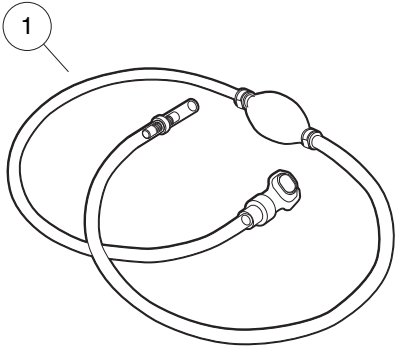
ITEM	PART NO.	DESCRIPTION	QTY
		1 2 3 4	
1	102958001	Kit Regulated Hose Sply Spws	1
2	103395505	Kit, Spws, 8 Volt Non-Trojan (includes items 3 and 4)	1
3	103510602	Spws, Manifold Asm, 8v Non-Trojan	6
4	103774701	Spws, Hose 8v Non-trojan	1
		Note: For JCI 8-Volt batteries only.	

14

E

14

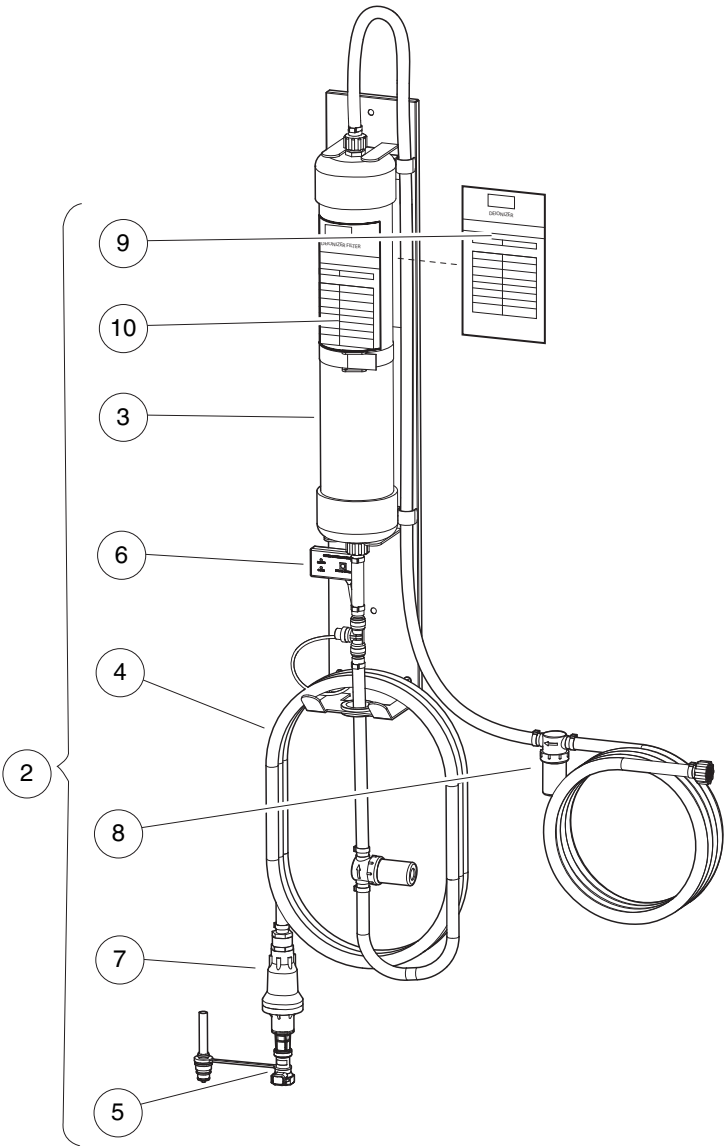
E



11



12



002523-003

HAND PUMP AND DEIONIZER (BATTERY-POWERED QUALITY LIGHT)

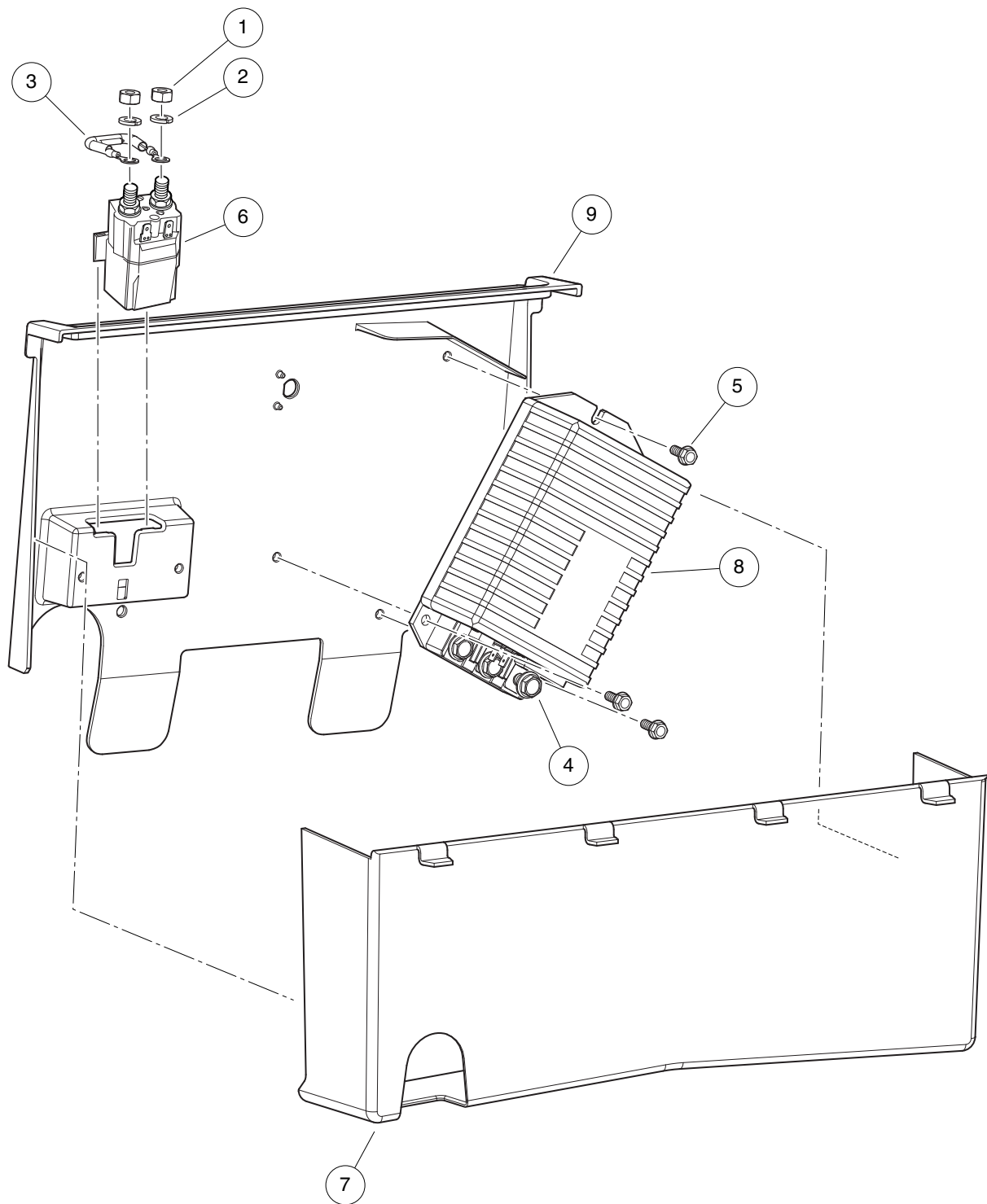
ITEM	PART NO.	DESCRIPTION	QTY
		1 2 3 4	
1	104006101	Kit, Hand Pump, Spws	1
2	105166801	Deionizer, w/Battery-Powered Water Quality Light (includes items 3 through 10)	1
3	104005901	Cartridge, Deionizer	1
4	105166901	Hose,outlet,deionizer	1
5	105167001	Flow Ind, W/coupler, Deionizer	1
6	105167101	Light, Quality, Battery-Powered, w/T-Fitting	1
7	105168501	Regulator, Pressure, Deionizer	1
8	105168601	Strainer, In-line, Deionizer	1
9	AM1300001	Decal, Filter Log, Blue	1
10	AM1300201	Decal, Inspect Log, Yellow	1
11	AM1300101	Decal, Filter Log, Blue, Pack of 100	A/R
12	AM1300301	Decal, Inspect Log, Yellow, Pack of 100	A/R

14

E

14

E



000486-013

CONTROLLER AND SOLENOID

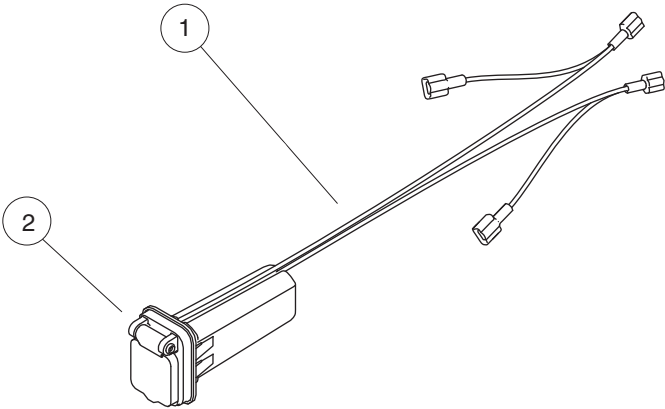
ITEM	PART NO.	DESCRIPTION	QTY
		1 2 3 4	
1	1012528	Nut, M8-1.25 Hex	2
2	1013734	Lockwasher, 8mm Split	2
3	1014947	Resistor Assembly	1
4	102240501	Bolt, Controller, Terminal	3
5	102296716	Screw, M6 X 16 Tt Hx Fl Hd	3
6	102865901	Solenoid 48v Slot Mt No Diode	1
7	103367901	Shield - Controller	1
8	103982301	Controller, 1515, 250A, White	1
9	105005001	Component Mounting Plate	1
Note: Replacement solenoid may vary in appearance from the original.			

14

E

14

E



001286-002

USB PORT KIT FOR ELECTRIC VEHICLES

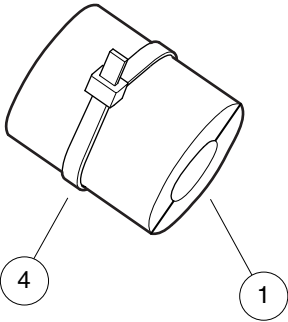
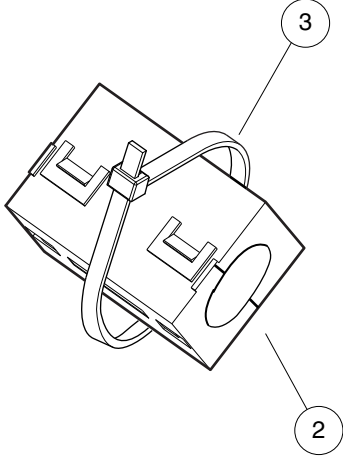
ITEM	PART NO.	DESCRIPTION	QTY
1	47604230001	1 2 3 4 Kit, USB, 48v (includes item 2)	1
2	47560030001	USB Port	1

14

E

14

E



001055-001

FERRITE BEADS, CE

ITEM	PART NO.	DESCRIPTION	QTY
		1 2 3 4	
1	103449501	Bead, Ferrite, Tdk	A/R
2	103449601	Bead, Ferrite, Fair-rite	A/R
3	8639	Tie Wrap, 11" Nylon	A/R
4	8990	Tie Wrap, 8" Nylon	A/R

14

E

14

E

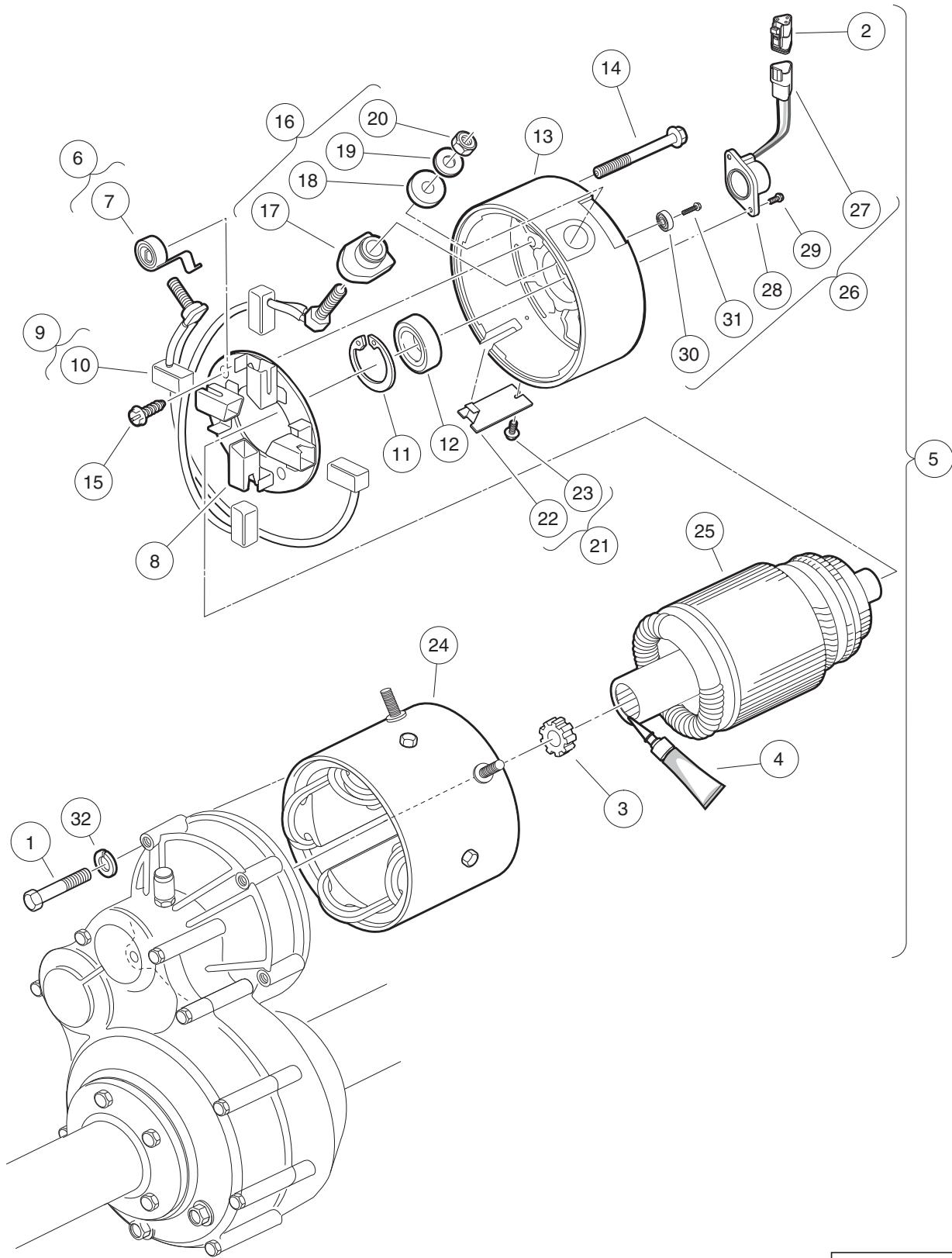
ELECTRIC MOTOR

15

E

15

E



000185-002

MOTOR (MODEL EJ8-4001A) – ELECTRIC VEHICLE

ITEM	PART NO.	DESCRIPTION	QTY
		1 2 3 4	
1	1014201	Screw, 1/4-20 X 2.25 Hex Cap	3
2	101920101	Kit, 3-Pin Wedge Lock	1
3	102235201	Bumper, Drive Unit	1
4	102243403	Lubricant, Moly-Teflon (Single-Use Tube)	1
5	103572501	IQ Electric Motor, 48-VDC 3.3 hp (includes items 6 through 26)	1
6	102186001	Spring Kit, Motor Brush (includes item 7)	1
7	N/A	Spring, Brush, S-g	4
8	102186101	Brush Box Assembly	1
9	102186201	Brush Kit, Motor (includes item 10)	1
10	N/A	Assembly, Brush and Terminal	2
11	N/A	Ring, 2.24" Internal Retaining	1
12	102186401	Bearing, Ball	1
13	102186701	End Cap, Motor	1
14	N/A	Screw, 1/4-20 X 2.25 Hex-Head Washer	2
15	102186901	Screw, #8-32 X .5 Hex-Head	2
16	102187101	Hardware Kit, Motor Terminal (includes items 17 through 20)	2
17	N/A	Bushing, Nylon	2
18	N/A	Washer, Nylon Flat	2
19	N/A	Washer, Flat, 5/16 Steel	2
20	N/A	Nut, Brass Hex, 5/16 - 18	2
21	102187201	Plate Kit, Motor Cover (includes items 22 and 23)	1
22	N/A	Assembly, Cover Plate	1
23	N/A	Screw, #8-32 x 0.375, Taptite Thread	1
24	102704701	Frame and Field Assembly	1
25	102704801	Armature Assembly	1
26	102704901	Kit, Speed Sensor (includes items 27 through 31)	1
27	101942301	Kit, 3-Pin Wedge Lock	1
28	N/A	Sensor, Motor Speed, ADC	1
29	N/A	Screw, #8-32, Taptite Thread	2
30	N/A	Magnet, ADC Motor	1
31	N/A	Screw, 1/4-20 x 0.5	1
32	451	Lockwasher, 1/4 Split	3
Note: The F1 and F2 terminal posts on the EJ8-4001A motor have 1/4 - 20			

15

E

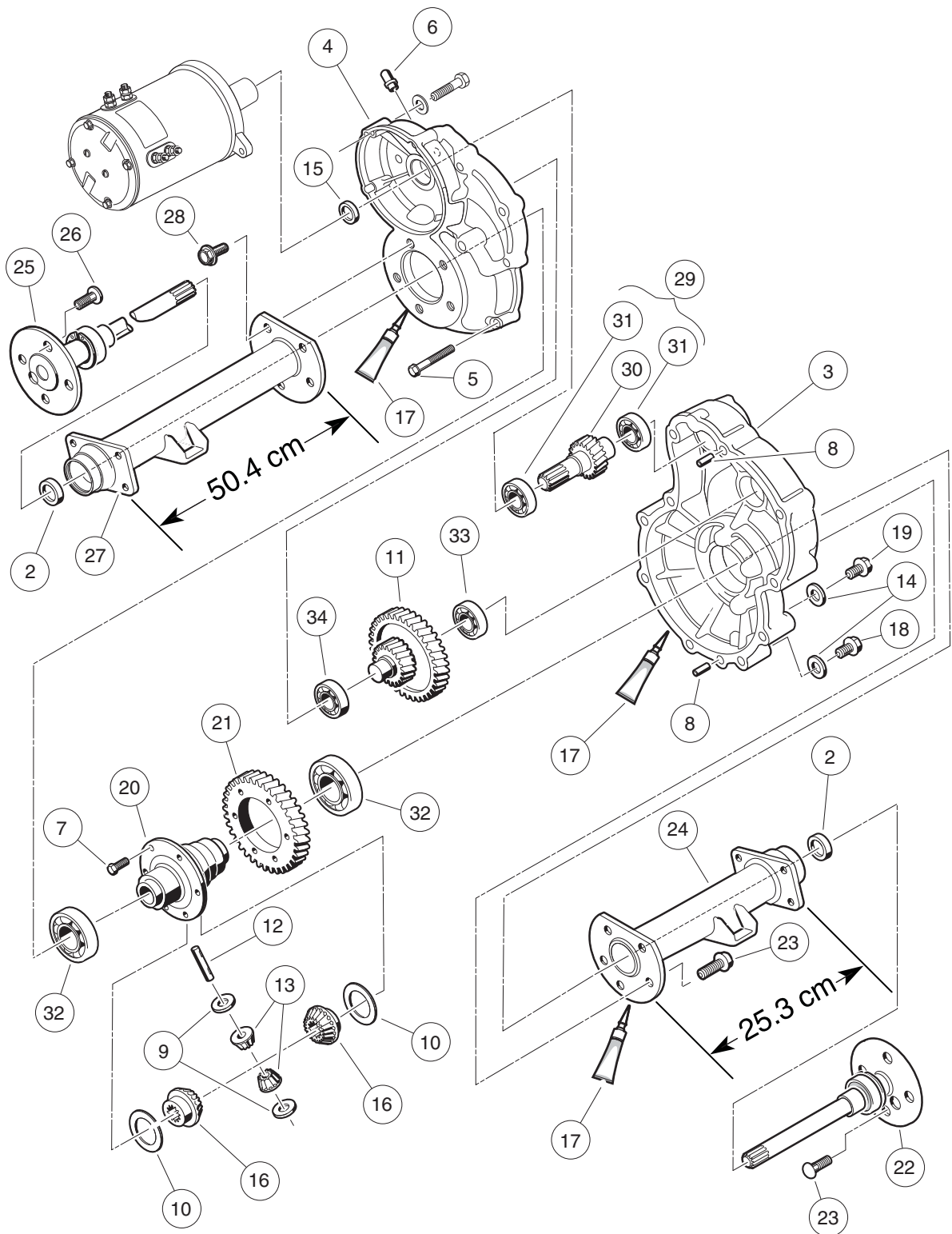
15

E

TRANSAXLE – ELECTRIC VEHICLES

16

E



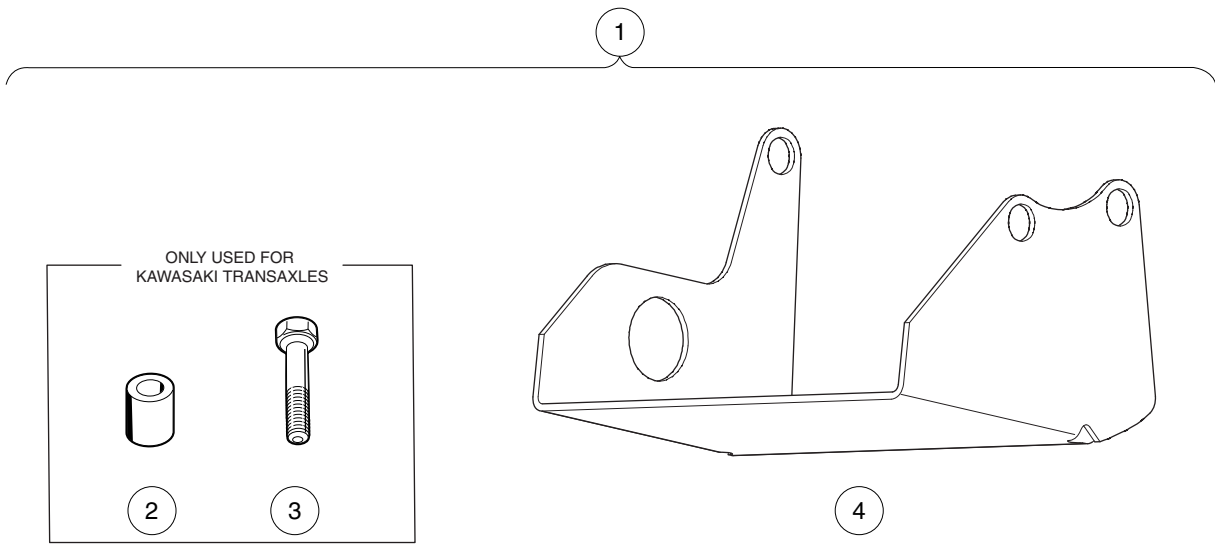
000223-005

TRANSAXLE – ELECTRIC VEHICLES

ITEM	PART NO.	DESCRIPTION	QTY
		1 2 3 4	
1	102771701	Transaxle, Electric (includes items 2 through 34)	1
2	1013794	Axle Shaft Oil Seal	2
3	101895401	Gear Case, Driver-Side	1
4	101895501	Gear Case, Passenger-Side	1
5	101897001	Screw, M8-1.25 X 60mm Hex-Head	11
6	101897201	Breather	1
7	101897401	Screw, M10-1.25 X 25mm	6
8	101897601	Pin, 11mm OD X 8.5mm ID X 10mm	2
9	101903601	Washer, Thrust	2
10	101903701	Washer, Thrust	2
11	101906901	Intermediate Shaft Assembly	1
12	101922101	Pin, 15.99mm X 88.7mm Dowel	1
13	101923001	Gear, Differential Idler	2
14	101923201	Gasket	2
15	101923501	Seal, Lip	1
16	101923901	Gear, Differential	2
17	101928701	Liquid Gasket (Transaxle case)	1
18	101972101	Plug, M14-1.5 X 12mm Magnetic	1
19	101972201	Plug, M14-1.5 X 12mm Hex	1
20	102356601	Housing, Differential, 6 Bolt	6
21	102356801	Gear, Differential Output, 6-Bolt	6
22	102886301	Axle Assembly, Driver-Side (includes item 23)	1
23	101922201	Lug Stud	4
24	102886401	Tube, Axle, Driver-Side	1
25	102886501	Axle Assembly, Passenger-Side (includes item 26)	1
26	101922201	Lug Stud	4
27	102886601	Tube, Axle, Passenger-Side	1
28	102902801	Screw, M10 X 30	10
29	103582801	Asm, E Trans Shaft/bearing (includes items 30 and 31)	1
30	N/A	Shaft, Input	1
31	7335	Bearing	2
32	7330	Inner Axle Tube Bearing	2
33	7335	Bearing	1
34	7336	Bearing	1

16

E



000365-002

DIFFERENTIAL GUARD – ELECTRIC VEHICLES

ITEM	PART NO.	DESCRIPTION	QTY
		1 2 3 4	
1	101611402	Kit, Differential Guard, Elec Vehicles (includes items 2 through 4)	1
2	101914001	Spacer, Steel	2
3	101936101	Screw, M10-1.50 X 60mm Hex Cap	2
4	101978601	Guard, Differential, Electric Vehicle Transaxle	1

16

E

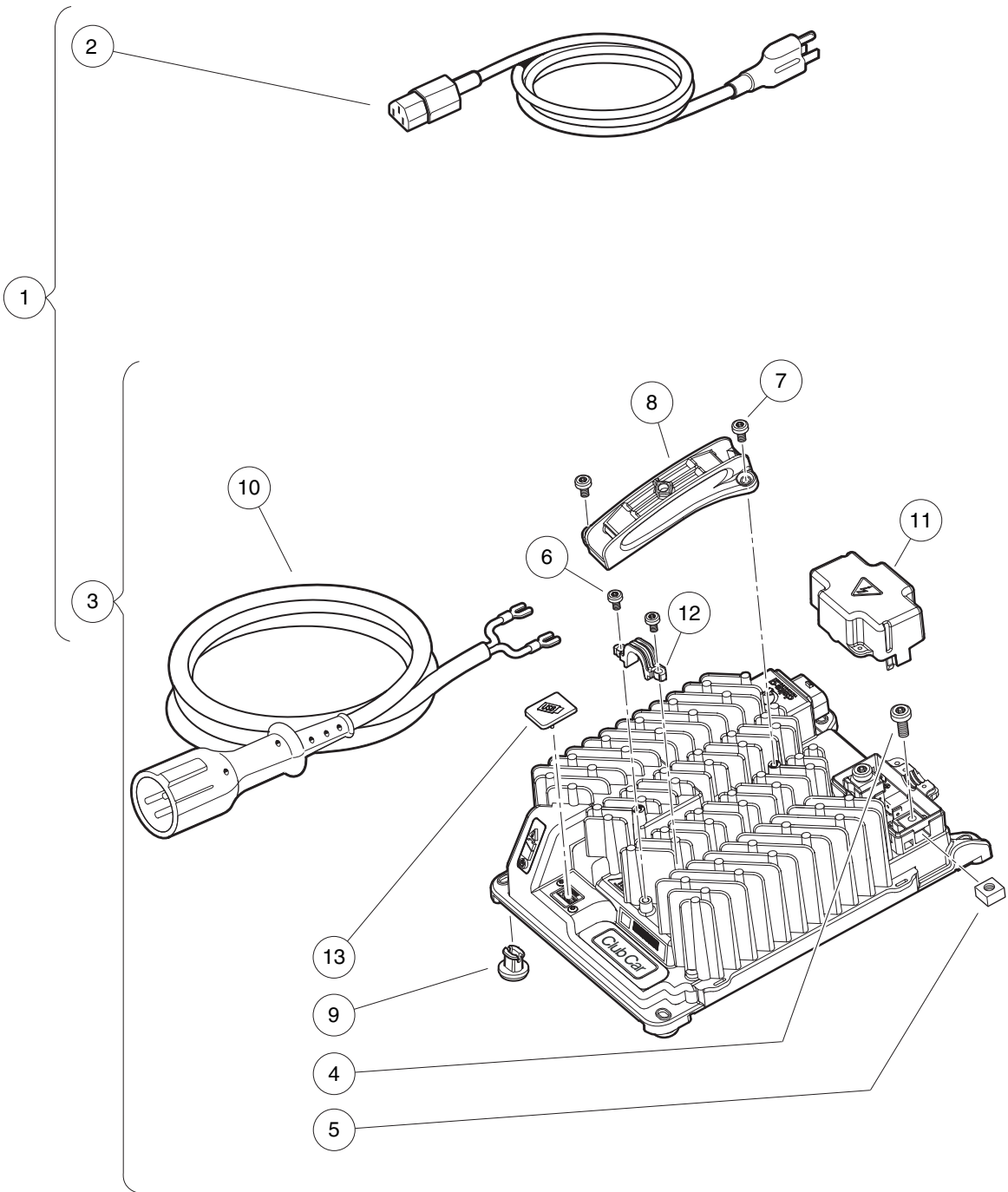
16

E

BATTERY CHARGERS – HIGH-FREQUENCY

17

E



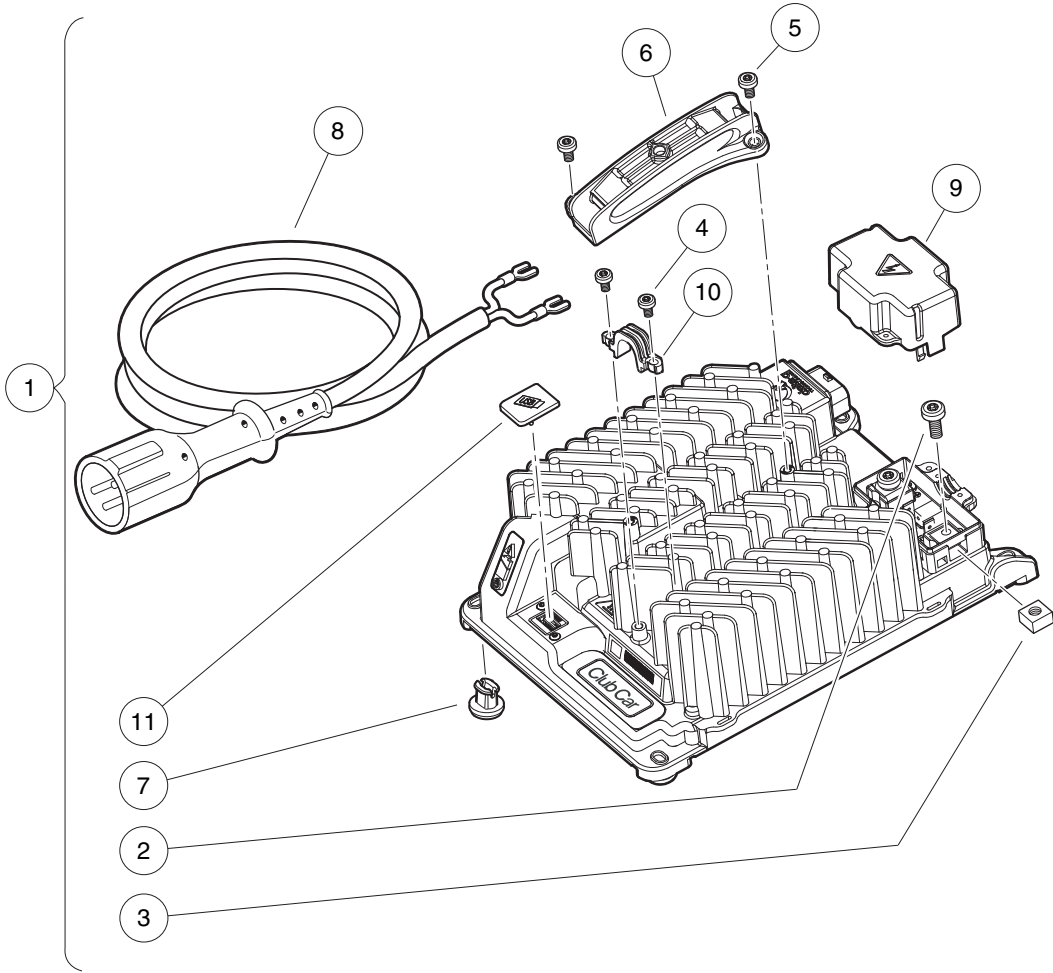
000610-002

BATTERY CHARGER, HIGH-FREQUENCY – U.S./CANADA

ITEM	PART NO.	DESCRIPTION	QTY
		1 2 3 4	
1	105095201	Charger, High-Freq, Service, 9ft Yel DC, 6ft AC, US/Canada (includes items 2 and 3)	1
2	104024201	Cord, AC, Nema To Iec320, 6ft (1.83 m), U.S./Canada	1
3	104029601	Charger, Asm, High-Freq, 9ft (2.74 m) Yellow DC Cord (includes items 4 through 13)	1
4	104024501	Screw, M6, Torx Head	2
5	104024601	Nut, M6, Square, Captured	2
6	104028901	Screw, M4 X .70, Pan Hd, Torx	2
7	104029001	Screw, M5 X .80, Pan Hd, Torx	2
8	105003601	Handle, Charger, High-Freq	1
9	105003701	Foot, Charger, High-Freq	4
10	105070101	Cord, DC, Yellow, 9ft (2.74 m)	1
11	105092301	Cover, DC Terminal Block, High-Freq Charger	1
12	105093101	Strain Relief, High-Freq, External, Charger	1
13	105123801	Cover, USB	1
<p>Note: This charger includes both an AC cord and DC cord. For additional cord lengths that may be used with this charger, see the Battery Charger Cords page.</p>			

17

E



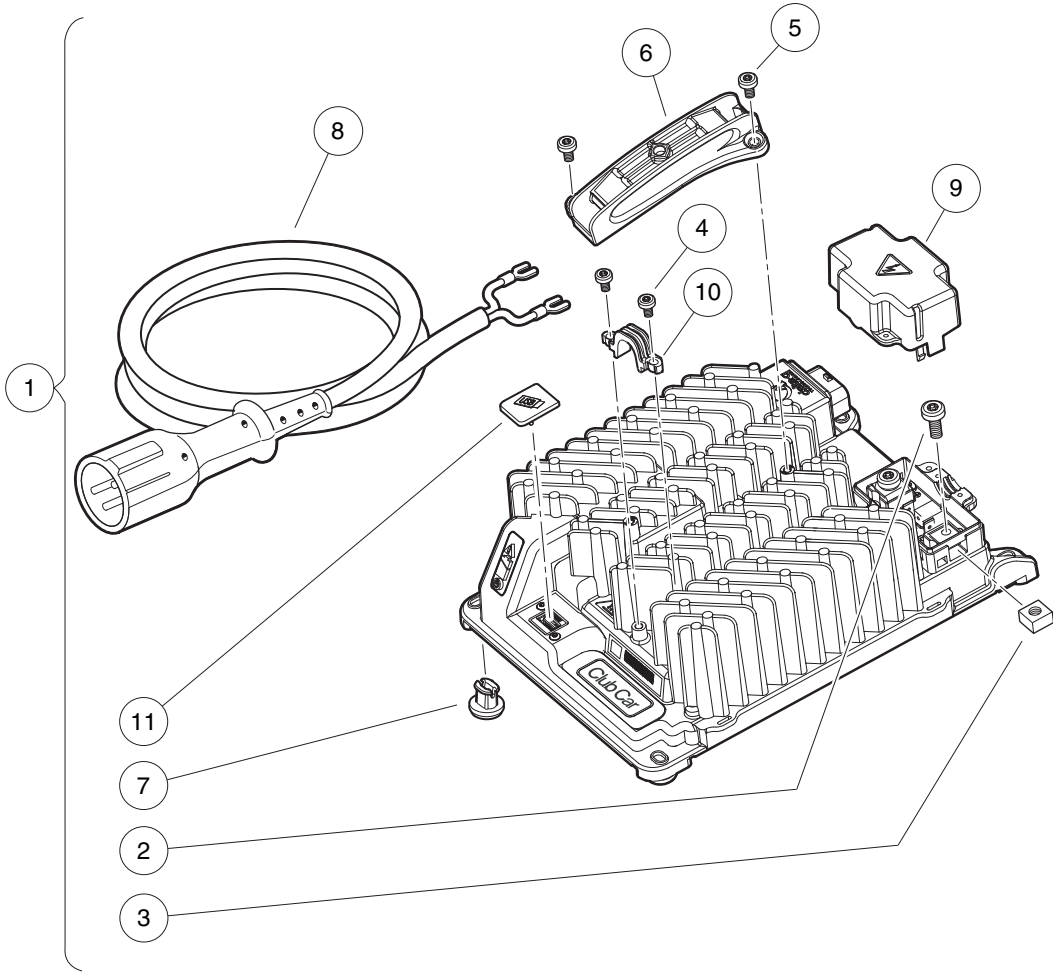
000610-003

BATTERY CHARGER, HIGH-FREQ., 2.74 M DC CORD – GLOBAL

ITEM	PART NO.	DESCRIPTION	QTY
		1 2 3 4	
1	104029601	Charger, Asm, High-Freq, 9ft (2.74 m) Yellow DC Cord (includes items 2 through 11)	1
2	104024501	Screw, M6, Torx Head	2
3	104024601	Nut, M6, Square, Captured	2
4	104028901	Screw, M4 X .70, Pan Hd, Torx	2
5	104029001	Screw, M5 X .80, Pan Hd, Torx	2
6	105003601	Handle, Charger, High-Freq	1
7	105003701	Foot, Charger, High-Freq	4
8	105070101	Cord, DC, Yellow, 9ft (2.74 m)	1
9	105092301	Cover, DC Terminal Block, High-Freq Charger	1
10	105093101	Strain Relief, High-Freq, External, Charger	1
11	105123801	Cover, USB	1
<p>Note: This charger does not include the AC cord. To complete the charger, choose the appropriate type and length of AC cord found on the Battery Charger Cords page.</p>			

17

E



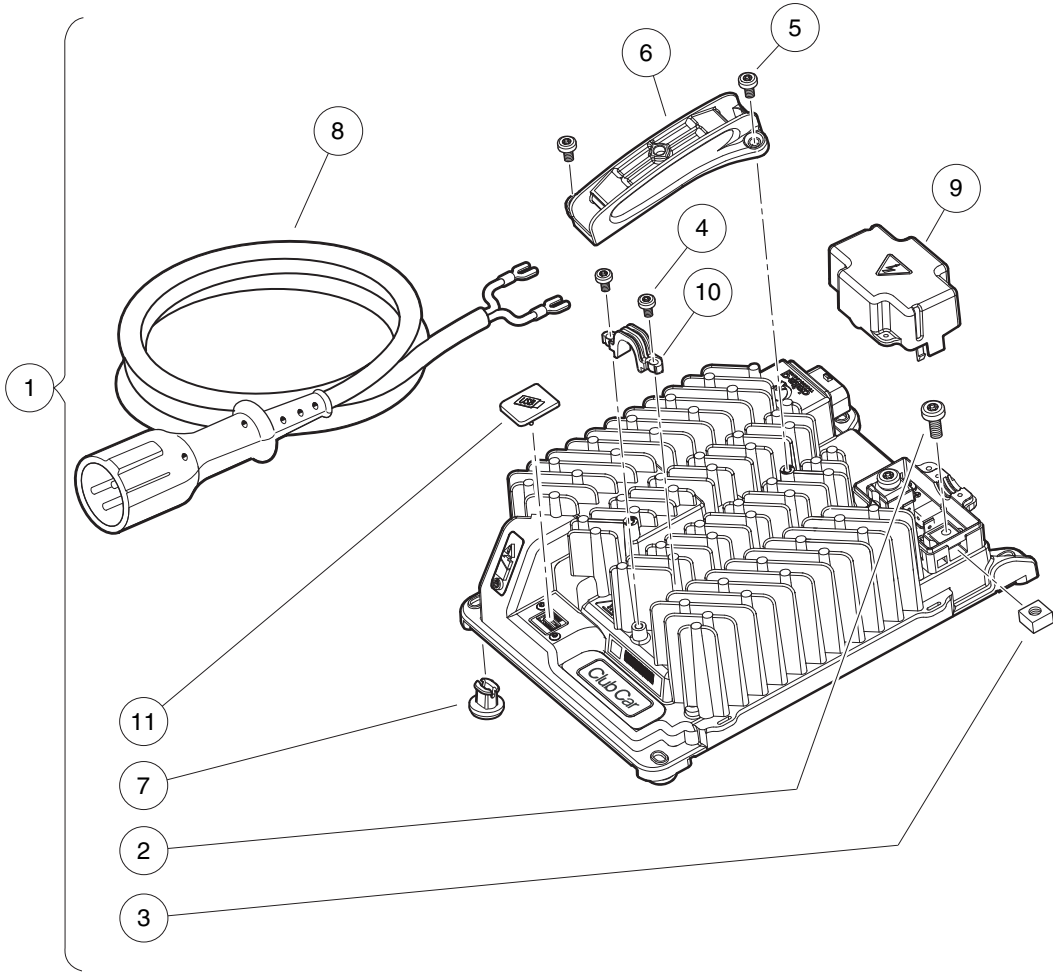
000610-003

BATTERY CHARGER, HIGH-FREQ., 3.66 M DC CORD – GLOBAL

ITEM	PART NO.	DESCRIPTION	QTY
		1 2 3 4	
1	104029602	Charger, Asm, High-Freq, 12ft (3.66 m) Yellow DC Cord (includes items 2 through 11) ..	1
2	104024501	Screw, M6, Torx Head	2
3	104024601	Nut, M6, Square, Captured	2
4	104028901	Screw, M4 X .70, Pan Hd, Torx	2
5	104029001	Screw, M5 X .80, Pan Hd, Torx	2
6	105003601	Handle, Charger, High-Freq	1
7	105003701	Foot, Charger, High-Freq	4
8	105070102	Cord, DC, Yellow, 12ft (3.66 m)	1
9	105092301	Cover, DC Terminal Block, High-Freq Charger	1
10	105093101	Strain Relief, High-Freq, External, Charger	1
11	105123801	Cover, USB	1
<p>Note: This charger does not include the AC cord. To complete the charger, choose the appropriate type and length of AC cord found on the Battery Charger Cords page.</p>			

17

E



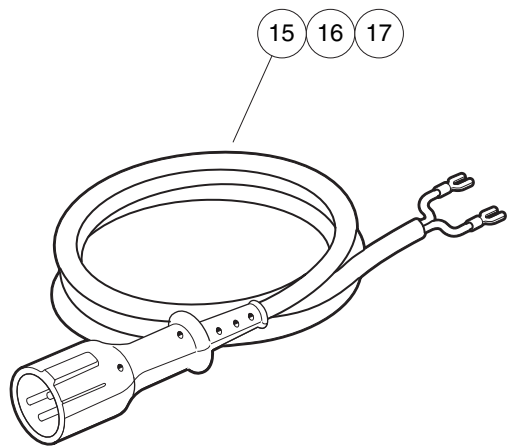
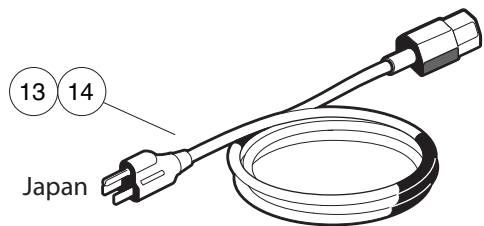
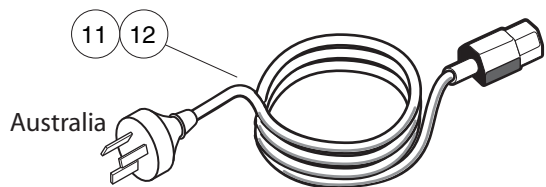
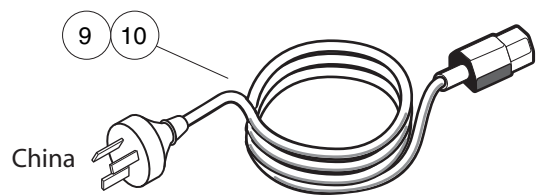
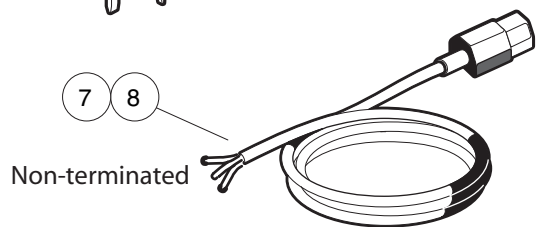
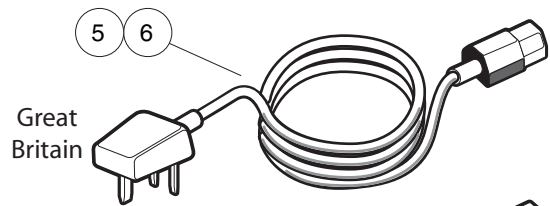
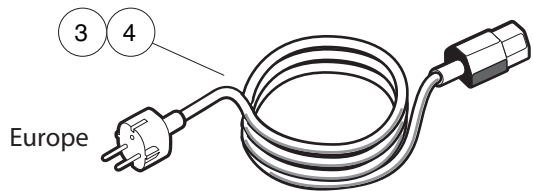
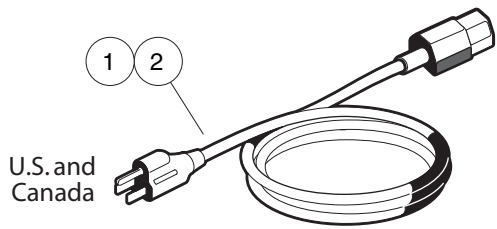
000610-003

BATTERY CHARGER, HIGH-FREQ., 6.1 M DC CORD – GLOBAL

ITEM	PART NO.	DESCRIPTION	QTY
		1 2 3 4	
1	104029603	Charger, Asm, High-Freq, 20ft (6.1 m) Yellow DC Cord (includes items 2 through 11)	1
2	104024501	Screw, M6, Torx Head	2
3	104024601	Nut, M6, Square, Captured	2
4	104028901	Screw, M4 X .70, Pan Hd, Torx	2
5	104029001	Screw, M5 X .80, Pan Hd, Torx	2
6	105003601	Handle, Charger, High-Freq	1
7	105003701	Foot, Charger, High-Freq	4
8	105070103	Cord, DC, Yellow, 20ft (6.1 m)	1
9	105092301	Cover, DC Terminal Block, High-Freq Charger	1
10	105093101	Strain Relief, High-Freq, External, Charger	1
11	105123801	Cover, USB	1
<p>Note: This charger does not include the AC cord. To complete the charger, choose the appropriate type and length of AC cord found on the Battery Charger Cords page.</p>			

17

E



000610-004

CORDS – BATTERY CHARGER, HIGH-FREQUENCY

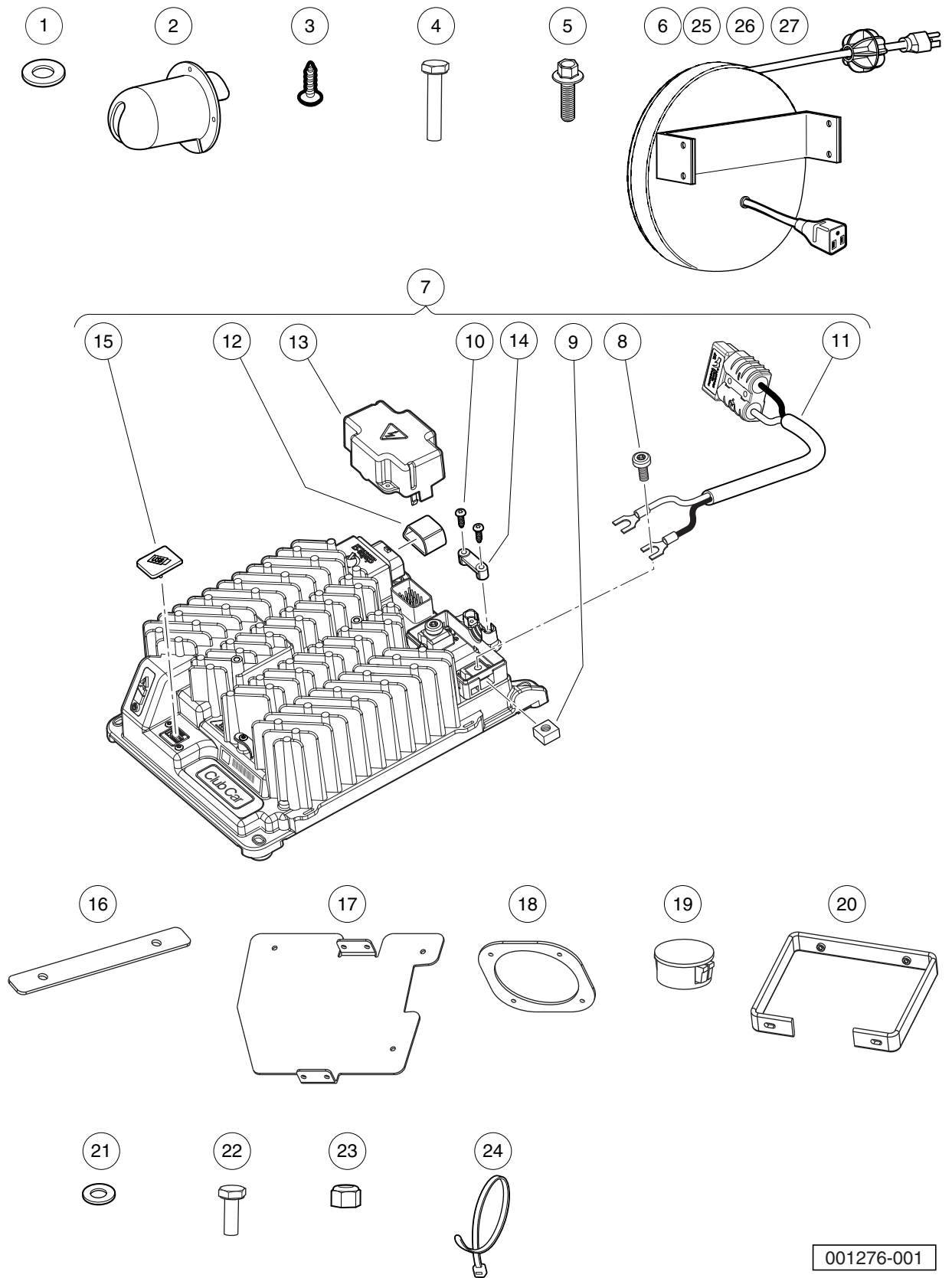
ITEM	PART NO.	DESCRIPTION	QTY
		1 2 3 4	
1	104024201	Cord, AC, Nema To lec320, 6ft (1.83 m), U.S./Canada	A/R
2	104024202	Cord, AC, Nema To lec320, 9ft (2.74 m), U.S./Canada	A/R
3	104024401	Cord, AC, lec320, 6ft (1.83 m), Europe	A/R
4	104024402	Cord, AC, lec320, 9ft (2.74 m), Europe	A/R
5	104028501	Cord, AC, lec320, 6ft (1.83 m), Great Britain	A/R
6	104028502	Cord, AC, lec320, 9ft (2.74 m), Great Britain	A/R
7	104028601	Cord, AC, lec320, 6ft (1.83 m), Non-terminated	A/R
8	104028602	Cord, AC, lec320, 9ft (2.74 m), Non-terminated	A/R
9	105068201	Cord, AC, lec320, 6ft (1.83 m), China	A/R
10	105068202	Cord, AC, lec320, 9ft (2.74 m), China	A/R
11	105068301	Cord, AC, lec320, 6ft (1.83 m), Australia	A/R
12	105068302	Cord, AC, lec320, 9ft (2.74 m), Australia	A/R
13	105068401	Cord, AC, lec320, 6ft (1.83 m), Japan	A/R
14	105068402	Cord, AC, lec320, 9ft (2.74 m), Japan	A/R
15	105070101	Cord, DC, Yellow, 9ft (2.74 m)	A/R
16	105070102	Cord, DC, Yellow, 12ft (3.66 m)	A/R
17	105070103	Cord, DC, Yellow, 20ft (6.1 m)	A/R

17

E

17

E

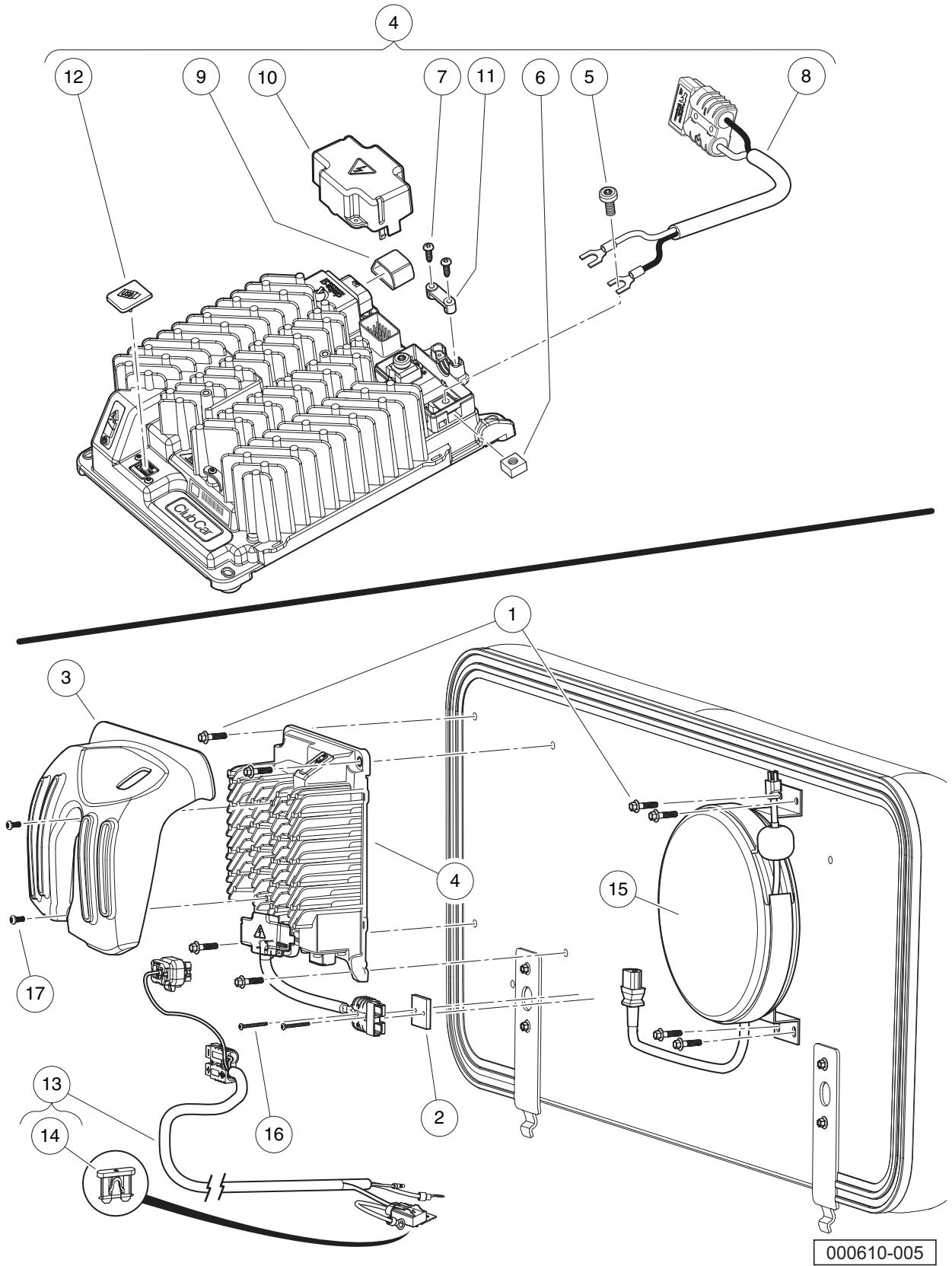


BATTERY CHARGER, HIGH-FREQUENCY – ONBOARD

ITEM	PART NO.	DESCRIPTION	QTY
		1 2 3 4	
1	1014306	Washer, 1/4" Type B Flat	3
2	1016673	Housing, Cord Reel	1
3	101832001	Screw, #7-19 X 0.625 Phillips Pan-Head Tap	4
4	101861901	Screw, 1/4-20 X 1.125 Hex Cap	4
5	102541401	Bolt-m6x1.0x20 Hex Flhd Blk-I	4
6	103872701	Cord Reel, Hf Charger	1
7	105083001	Charger, Asm, High-Freq, Onboard (includes items 8 through 15)	1
8	104024501	Screw, M6, Torx Head	2
9	104024601	Nut, M6, Square, Captured	2
10	104029301	Screw, M3x1.5, Plastic Tapping	2
11	105084401	Cord, DC, Onboard	1
12	105086801	Sleeve, lec 320 C14	1
13	105092301	Cover, DC Terminal Block, High-Freq Charger	1
14	105094101	Strain Relief, DC Block, High-Freq, Onboard, Charger	1
15	105123801	Cover, USB	1
16	105299001	Plate, Charger, Mtg, Ubdy	2
17	105299101	Plate, Cord Reel, Mtg, Unbody	1
18	105299601	Plate, Backing, Charge Port	1
19	105300801	Plug, Push In, 61/64" Diameter	1
20	105315201	Asm, Bracket, Obc Eric Mount	2
21	332	Washer, 1/4 Type A Narrow Flat	8
22	7847	Screw, 1/4-20 X 0.75 Hex-Head Cap	7
23	8233	Locknut, 1/4-20, Nylon Insert	4
24	8990	Tie Wrap, 8" Nylon	1
25	SVP738601	Cord Reel Retract 3ft 14ga Uk	1
26	SVP738701	Cord Reel Retract 3ft 14ga Eu	1
27	SVP738801	Cord Reel Retract 3ft 14ga Aus	1

17

E



000610-005

BATTERY CHARGER, HIGH-FREQUENCY – ONBOARD (FOR REAR-FACING-SEAT)

ITEM	PART NO.	DESCRIPTION	QTY
		1 2 3 4	
1	102541425	Bolt, M6x1.0x25, Hex Flhd, Blk-I	8
2	105082601	Insulation, Thermal	1
3	105082801	Shield, Charger, High-Freq	1
4	105083001	Charger, Asm, High-Freq, Onboard (includes items 5 through 12)	1
5	104024501	Screw, M6, Torx Head	2
6	104024601	Nut, M6, Square, Captured	2
7	104029301	Screw, M3x1.5, Plastic Tapping	2
8	105084401	Cord, DC, Onboard	1
9	105086801	Sleeve, lec 320 C14	1
10	105092301	Cover, DC Terminal Block, High-Freq Charger	1
11	105094101	Strain Relief, DC Block, High-Freq, Onboard, Charger	1
12	105123801	Cover, USB	1
13	105084301	Harness, Wire, High-Freq Onboard Charger, 4-Pass (includes item 14)	1
14	102492301	Fuse, 30-Amp	1
15	105084501	Cord Reel, AC, Retractable, High-Freq Charger, Onboard	1
16	105086901	Screw, #6-20 Type Abx1.25 Pan	2
17	105101001	Screw, M5-0.8x10, Torx, Trs	2
		Note: Used on 4-passenger vehicle with rear-facing back seat.	

17

E

17

E

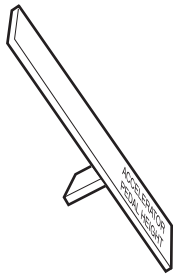
MAINTENANCE AND SERVICE TOOLS

18

G

E

18
G
E



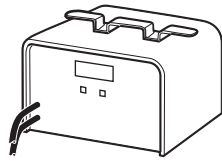
1



2



3



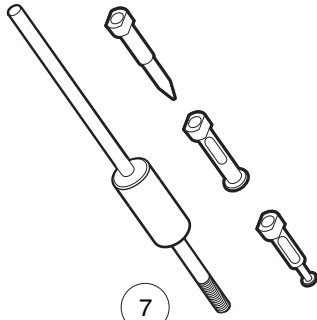
4



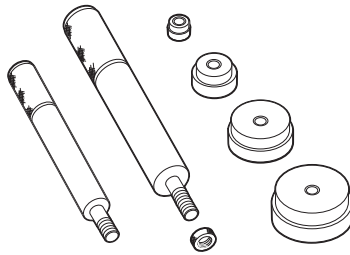
5



6



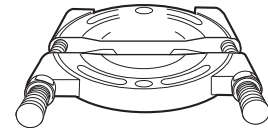
7



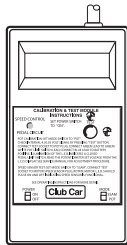
8



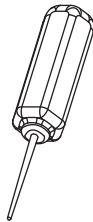
9



10



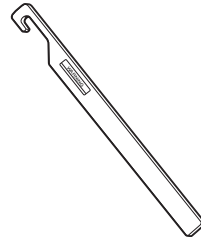
11



12



13



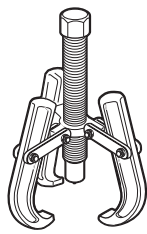
14



15



16



17



18



19

001060-002

MAINTENANCE AND SERVICE TOOLS

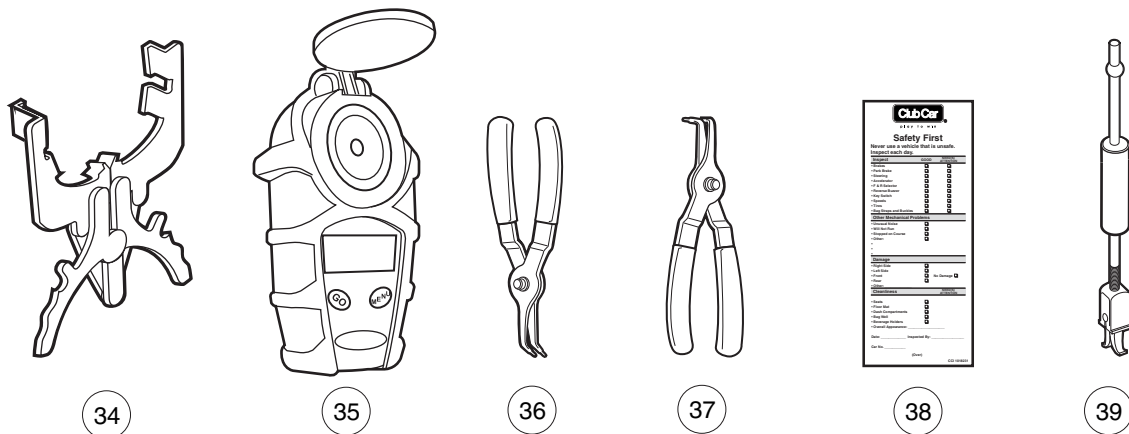
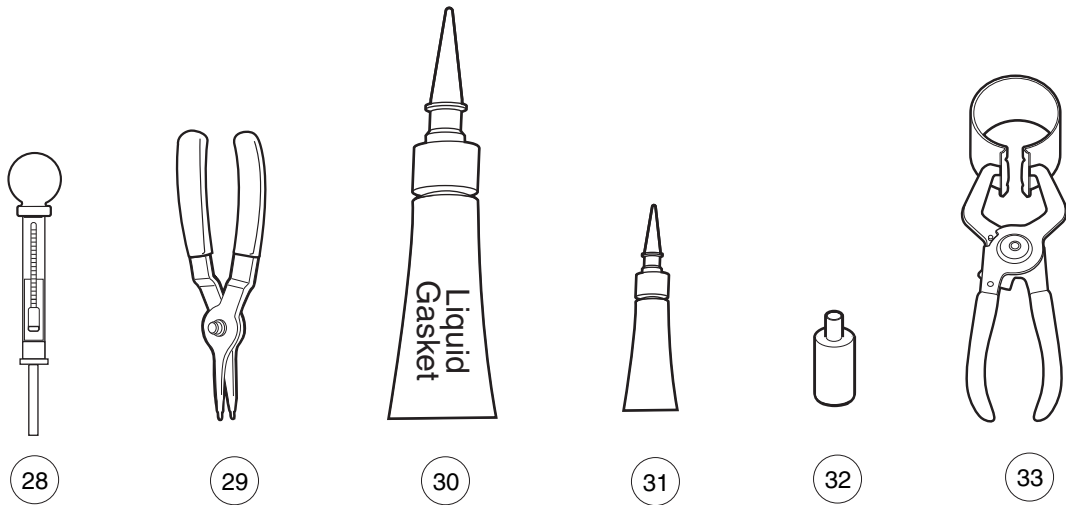
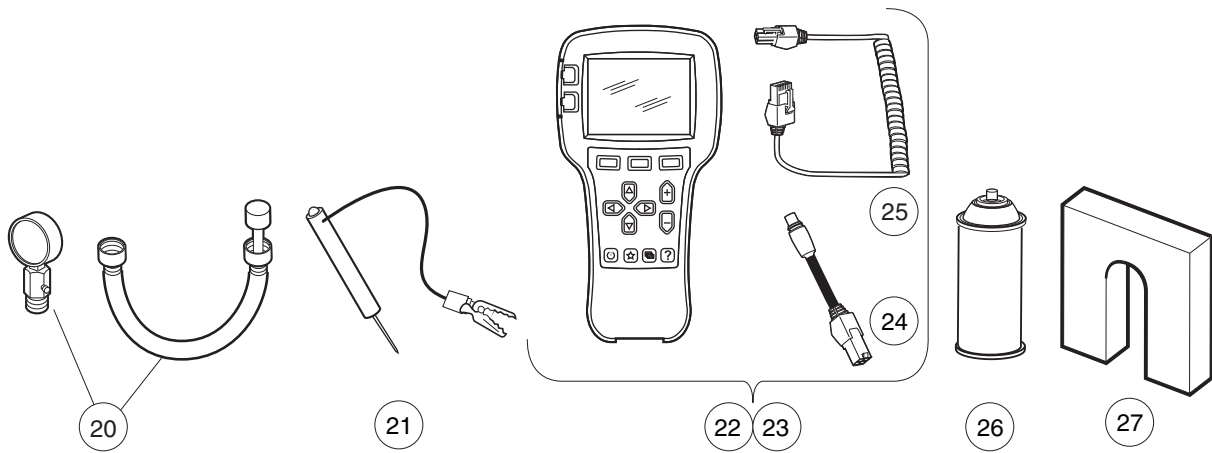
ITEM	PART NO.	DESCRIPTION	QTY GAS	QTY ELEC
		<p>1 2 3 4</p> <p>The following tool list includes all tools available from Club Car for maintenance and service procedures for gasoline and electric golf and utility vehicles. Be sure to carefully examine the tool list for applicability to your vehicle before ordering.</p>		
1	101871001	Accelerator Pedal Adjustment Tool (Utility Vehicles).....	1	1
2	101813202	Adhesive, Guide Ring, 3-Gram Tube		1
3	101641202	Arbor	1	
4	101831901	Battery Discharge Machine, 36/48 Volt		1
5	1014305	Battery Terminal Protector Spray	1	1
6	1011767	Battery Thermometer	1	1
7	1016417	Bearing and Oil Seal Remover Assembly	1	1
8	1016416	Bearing Driver Set	1	1
9	1012811	Bearing Puller	1	1
10	1012812	Bearing Puller Wedge Attachment	1	1
11	101887101	Calibration Test Module		1
12	102562401	Charger Bezel Tool		1
		Clutch Tools (items 13 - 19)	1	
13	101808401	Clutch Cam Installation Tool (for Subaru and Kawasaki engines)	1	
14	105072501	Drive Clutch Holder Tool Assembly (for Subaru and Kawasaki engines)	1	
15	1014497	Drive Clutch Hub Puller (for Subaru and Kawasaki engines)	1	
16	1014496	Drive Clutch Puller (for Subaru and Kawasaki engines)	1	
17	1014508	Driven Clutch Cam Puller (for Subaru and Kawasaki engines)	1	
18	1014507	Driven Clutch Puller Plug (for Subaru and Kawasaki engines)	1	
19	101809101	Press Weldment (for Subaru and Kawasaki engines)	1	
		<p>Please refer to the maintenance and service manual for proper tool application.</p>		

18

G

E

18
G
E



001061-002

MAINTENANCE AND SERVICE TOOLS, CONTINUED

ITEM	PART NO.	DESCRIPTION	QTY GAS	QTY ELEC
		1 2 3 4		
20	101641002	Compression Gauge and Adapter	1	
21	1011273	Continuity Tester	1	1
22	105234501	Controller Diagnostic Tool (CDT) User Kit (includes items 24 and 25)		1
23	105234502	Controller Diagnostic Tool (CDT) OEM Kit (For Programming IQ System, Excel, and IQ Plus controllers) (includes items 24 and 25).....		1
24	102251501	Adaptor, Cable		1
25	105209601	CDT Cable		1
26	1012151	Dry Moly Lubricant	1	1
27	1016418	Gear Yoke	1	1
28	1011478	Hydrometer	1	1
29	1013593	Internal Retaining Ring Pliers	1	1
30	101928701	Liquid Gasket (transaxle case)	1	1
31	102243402	Moly-Teflon Lubricant (4-oz. (113-gram) tube)		1
32	102587201	Paint Pen, Touch-Up, Underbody, Æ Black	1	1
33	1016414	Piston Ring Compressor Kit	1	
34	1016415	Piston Ring Pliers	1	
35	AM1285701	Refractometer	1	1
36	1012549	Retaining Ring Pliers, 45→ External	1	1
37	1012560	Retaining Ring Pliers, 90→ Internal	1	1
38	101823101	Safety First Card (50 per pack)	1	1
39	1012809	Seal Puller	1	1
		Please refer to the maintenance and service manual for proper tool application.		

18

G

E

18

G

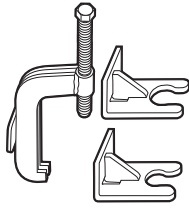
E



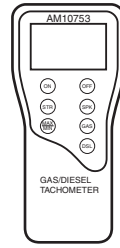
40



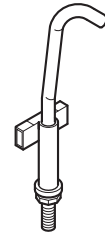
41



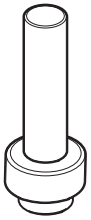
42



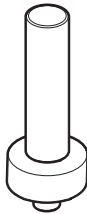
43



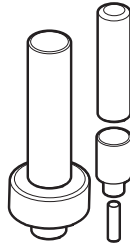
44



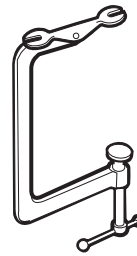
45



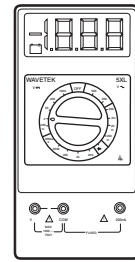
46



47



48



49

001062-001

MAINTENANCE AND SERVICE TOOLS, CONTINUED

ITEM	PART NO.	DESCRIPTION	QTY GAS	QTY ELEC	
		1 2 3 4			18
40	1014264	Steering Column Bearing Press Tool	1	1	G
41	1014259	Steering Column Retaining Ring Tool	1	1	E
42	102061201	Steering Wheel Puller Tool	1	1	
43	AM10753	Tachometer (includes gasoline engine pick up lead only)	1		
44	102570401	Tool, Tensioning, Starter Generator	1		
45	1014162	Transaxle Axle Seal Tool (for electric vehicles)		1	
46	1014161	Transaxle Pinion Seal Tool (for electric vehicles)		1	
47	1014115	Transmission Tool Kit (for electric vehicles).....		1	
48	101641101	Valve Spring Compressor	1		
49	1011480	Volt Ohm Meter	1	1	
		Please refer to the maintenance and service manual for proper tool application.			

INDEX

Part Number and Page

AM10753	18-7	1010921	1-33	1014080	12-7
AM10079	4-9, 4-13	1010958	14-9, 14-11	1014115	18-7
AM10092	1-73	1011017	4-15	1014145	13-3
AM10419	12-7	1011114	10-15, 13-9	1014161	18-7
AM1289701	7-11	1011137	5-5	1014162	18-7
AM1289801	7-11	1011273	18-5	1014201	15-3
AM1289901	7-11	1011415	6-15, 6-17	1014259	18-7
AM1290001	7-11	1011478	18-5	1014264	18-7
AM1290101	7-11	1011480	18-7	1014287	12-5
AM1290201	7-11	1011553	1-33, 3-9	1014288	12-5
AM1290501	7-11	1011571	4-13	1014289	8-7
AM1300001	14-15	1011578	1-53	1014304	14-9, 14-11
AM1300101	14-15	1011610	4-13	1014305	18-3
AM1300201	14-15	1011697	1-33	1014306	17-13
AM1300301	14-15	1011767	18-3	1014453	12-5
AM15026001	1-11	1012151	18-5	1014454	12-7
AM15027001	1-29	1012180	6-15, 6-17	1014496	18-3
AM15028001	1-73	1012431	8-19, 13-3	1014497	18-3
SVP738601	17-13	1012505	4-9, 4-13	1014507	18-3
SVP738701	17-13	1012528	11-3, 14-17	1014508	18-3
SVP738801	17-13	1012549	18-5	1014555	6-15, 6-17, 14-9, 14-11
183	4-19, 12-5	1012560	18-5	1014727	8-19, 13-3
332	1-73, 13-7, 17-13	1012565	6-3, 7-3	1014789	8-5
334	12-5	1012566	6-3, 7-3	1014807	8-19, 13-3
451	15-3	1012571	1-19	1014947	14-17
1016	4-19	1012594	8-19, 13-3	1015064	13-3
1218	1-33	1012649	10-9	1015137	10-9
1241	9-5	1012809	18-5	1015524	18-3
1242	5-7, 5-9, 8-9, 8-11	1012811	18-3	1015583	6-15, 6-17
1624	8-9	1012812	18-3	101558302	6-15, 6-17, 6-19, 7-13
7174	8-9, 11-3	1012836	12-7	1015727	1-31
7311	1-73	1012987	13-3	101587704	10-9
7330	16-3	1013042	6-9, 7-9	1015932	8-9
7335	16-3	1013164	6-15, 6-17	1015969	9-11
7336	16-3	1013589	13-3	101609401	3-9
7473	1-33	1013590	13-3	1016103	9-13
7591	9-13	1013591	13-3	101611402	16-5
7847	17-13	1013593	18-5	1016154	6-3, 7-3
7893	4-19, 8-11	1013609	8-11	1016201	12-5
8056	8-19	1013734	14-17	1016214	6-3, 7-3
8057	8-19, 13-3	1013746	10-9	1016289	12-5
8058	8-19, 13-3	1013794	16-3	101641002	18-5
8233	1-73, 10-15, 13-7, 13-9, 17-13	1013857	4-13	101641101	18-7
8450	12-5	1013924	5-3, 5-5, 9-7, 9-9	101641202	18-3
8639	14-5, 14-21	1014007	10-15, 13-9	1016414	18-5
8717	13-3	1014051	12-5	1016415	18-5
8754	8-9	1014055	12-5	1016416	18-3
8990	1-43, 6-9, 7-9, 13-5, 14-5, 14-21, 17-13	1014056	12-5	1016417	18-3
1010145	6-15, 6-17, 6-19, 7-13	1014057	12-5	1016418	18-5
1010434	1-11, 1-13, 1-25, 1-29, 5-11, 5-13, 5-15, 5-17, 14-11	1014058	12-5	1016673	17-13
1010436	1-31	1014059	12-5	1016801	12-5
1010577	9-5	1014062	12-5	1016849	4-9, 4-13
1010829	5-7, 5-9	1014063	12-5	1016851	4-9, 4-13
1010909	4-19	1014065	12-5, 13-3	1017145	12-7
		1014072	12-7	1017686	12-7
		1014078	12-7	101791101	5-3

INDEX

101808401	18-3	101972101	16-3	102296140	1-35, 1-37, 1-39
101809101	18-3	101972201	16-3	102296150	1-71, 4-15
101813202	18-3	101978601	16-5	102296301	1-57, 1-59
101814701	4-11	101979101	8-19, 13-3	102296401	1-35, 1-37, 1-39
101815501	5-3, 5-5	101998501	1-23	102296530	1-25
101815502	5-3, 5-5	102022601	6-9, 7-9	102296601	1-27
101816501	5-3, 5-5	102025801	10-7	102296716	14-17
101816502	5-3, 5-5	102051901	4-13	102296819	1-15
101823101	18-5	102061201	18-7	102296920	1-71, 4-15, 14-7
101823201	5-3, 5-5	102155801	12-7	102297125	10-17
101823801	5-3, 5-5	102163001	1-57, 1-59	102297230	1-25, 1-27, 10-9
101823901	5-3, 5-5	102186001	15-3	102297901	5-7, 5-9
101824101	9-13	102186101	15-3	102298020	1-17, 1-19, 4-15, 14-9, 14-11
101825101	3-3	102186201	15-3	102298030	1-21, 1-27, 1-31, 5-11, 5-13, 5-15, 5-17
101830701	4-9, 4-13	102186401	15-3	102298116	6-7, 7-7, 9-13
101831901	18-3	102186701	15-3	102298130	6-7, 7-7
101832001	14-5, 17-13	102186901	15-3	102298170	6-15, 6-17, 6-21, 7-15
101833401	12-7	102187101	15-3	102298175	6-15, 6-17, 6-19, 7-13
101834502	4-9, 4-13	102187201	15-3	102298240	1-25, 1-53
101835601	1-53	102196901	4-9	102298401	1-3, 1-5, 1-9, 1-41, 1-43, 6-15, 6-17, 6-19, 7-13
101850301	6-3, 6-5, 7-3, 7-5	102199001	4-13	102298580	1-3, 6-15, 6-17
101851101	4-9, 4-13	102235201	15-3	102298601	1-3, 6-15, 6-17
101856001	14-7	102240501	14-17	102298716	1-27
101861901	17-13	102242101	9-5, 12-7	102298720	1-5, 1-17, 4-5
101862001	13-7	102243402	18-5	102298995	1-3
101865805	14-11	102243403	15-3	102299065	1-41, 1-43, 1-51, 4-15
101871001	18-3	102251501	18-5	102299360	1-41, 1-43
101884801	9-7, 9-9	102274101	13-17	102299601	1-41, 1-43
101886101	10-15, 13-9	102278801	1-53	102324901	1-67
101887101	18-3	102279105	1-27	102353201	6-13, 7-11
101895401	16-3	102287101	6-11, 7-11	102353301	6-13, 7-11
101895501	16-3	102287601	6-11	102353401	6-13
101897001	16-3	102287701	6-11	102356601	16-3
101897201	16-3	102288101	6-11, 6-13	102356801	16-3
101897401	16-3	102288201	6-13	102357701	6-13, 7-11
101897601	16-3	102288401	6-13	102400002	1-41, 1-43, 1-51
101898001	8-11	102288701	6-13	102400102	1-41, 1-43, 1-51, 4-15
101903601	16-3	102288801	6-13	102410604	9-13, 10-15
101903701	16-3	102288901	6-11, 7-11	102411203	10-3, 10-5
101906901	16-3	102289001	6-9, 7-9	102411209	10-17
101908401	8-13, 14-7	102289101	6-13	102476401	10-15, 13-9
101914001	16-5	102289201	6-13, 7-11	102490301	10-15
101920101	15-3	102289401	6-11, 7-11	102491501	12-5, 14-9, 14-11
101922101	16-3	102289501	6-11, 6-13	102492301	14-5, 17-15
101922201	16-3	102289601	6-11	102498201	10-15, 13-7, 13-9
101923001	16-3	102289701	6-11	102500801	5-11, 5-13, 5-15, 5-17
101923201	16-3	102289801	6-13, 7-11	102501402	1-27
101923501	16-3	102289901	6-11	102501403	1-27
101923901	16-3	102290120	6-3, 6-5, 6-7, 7-3, 7-5, 7-7	102501501	1-13
101928701	16-3, 18-5	102292101	1-3	102502351	1-27
101936101	16-5	102292201	5-11, 5-13, 5-15, 5-17	102502352	1-27
101942301	15-3	102292356	1-15, 1-17, 14-9, 14-11	102502353	1-27
101954301	1-23	102292701	1-17, 1-27	102502354	1-27
101960501	3-7	102292801	5-7, 5-9	102502355	1-27
101963401	9-5	102296020	1-13, 4-3, 8-11, 10-3, 10-5, 10-17		
101972001	3-9	102296040	4-15, 8-11, 13-3		

INDEX

102502356	1-27	102554901	14-5	102886501	16-3
102502359	1-27	102555901	3-3	102886601	16-3
102502360	1-27	102556701	2-3, 2-7	102902801	16-3
102502377	1-27	102557201	1-15	102915601	1-15
102502378	1-27	102558201	9-3, 10-17	102947601	1-57, 1-59
102502381	1-27	102558301	10-17	102956201	6-11, 6-13
102502399	1-27	102558501	10-17	102958001	14-13
102502501	1-13	102558601	10-17	102967901	1-27, 1-31
102504001	1-25	102558701	10-17	103146501	6-21, 7-15
102504201	1-25	102559401	5-11, 5-13, 5-15, 5-17	103182702	1-31
102504301	1-25	102559701	5-11, 5-13, 5-15, 5-17	103196001	1-41, 1-43, 1-71, 4-15
102504802	1-17	102562401	18-3	103198401	8-13
102505401	1-3	102565201	6-9, 7-9	103199301	1-41
102505701	1-3, 6-11	102566001	6-9, 7-9	103200301	1-41, 1-43, 1-71, 4-15
102506401	6-15, 6-17, 6-19, 7-13	102570401	18-7	103200701	4-11
102508202	1-21	102571202	14-11	103205101	1-35, 1-37, 1-39
102508401	14-7	102572401	4-9	103205501	3-7, 8-13
102508601	4-9	102581201	1-51	103210101	1-35, 1-37, 1-39
102508901	1-35	102582401	1-57, 1-59, 1-67	103325001	1-9
102508902	1-37	102587201	18-5	103327601	1-25
102508903	1-39	102588501	6-15, 6-17, 6-19, 7-13	103347101	8-7
102511101	14-7	102588601	6-11, 7-11	103347301	8-7
102511601	1-35	102594301	5-7, 5-9	103347601	8-7
102511602	1-37	102594801	5-11, 5-13, 5-15, 5-17	103347701	8-7
102511603	1-39	102594901	5-11, 5-13, 5-15, 5-17	103347801	8-7
102513501	1-41, 1-43	102595201	5-11, 5-13, 5-15, 5-17	103347901	8-7
102514702	10-3, 10-5	102595301	5-11, 5-13, 5-15, 5-17	103357701	14-9, 14-11
102515101	4-13	102595401	5-11, 5-13, 5-15, 5-17	103367901	14-17
102516901	1-21	102595502	5-11, 8-3	103368301	14-9, 14-11
102517001	1-25	102595901	5-11, 5-13, 5-15, 5-17	103368401	14-9, 14-11
102517501	4-5	102596001	5-11, 5-13, 5-15, 5-17	103372101	10-3, 10-5
102517601	4-7	102596301	5-13, 5-15, 5-17	103372401	10-9
102517901	3-7	102617201	9-5, 11-3	103374801	14-9, 14-11
102521401	10-17	102617801	13-17	103375301	14-9, 14-11
102521901	1-17	102618601	7-11	103375402	14-5
102522901	4-9, 4-13	102621501	1-71, 4-15	103375702	14-5
102526201	13-3	102670701	6-19, 7-13	103380201	5-3, 5-5
102528901	4-21	102704701	15-3	103380202	5-3, 5-5
102529001	4-21	102704801	15-3	103384601	3-5
102529201	4-5, 4-7	102704901	15-3	103384701	3-5
102534201	1-5, 1-9	102732401	9-5	103384801	3-5
102535401	4-7	102771701	16-3	103388501	6-11
102536601	4-9, 4-13	102803301	8-11	103395505	14-13
102536602	4-13	102838701	8-7	103397901	4-5
102536603	4-9	102838801	8-7	103402701	1-15
102536604	4-13	102838901	8-7	103414901	4-5
102536605	4-9	102839001	8-7	103449501	14-21
102538601	14-5	102839301	8-7	103449601	14-21
102540301	9-9	102841101	8-7	103470701	10-3, 10-5
102540701	2-5, 2-7	102844601	8-7	103477901	7-11
102541401	4-15, 17-13	102844701	8-7	103483101	5-3, 5-5
102541402	9-13	102865901	14-17	103483102	5-3, 5-5
102541425	17-15	102878201	6-13	103483201	5-3, 5-5
102544201	1-41, 1-43, 1-51, 4-15	102883602	1-13, 3-11	103483401	5-3, 5-5
102551901	5-7, 5-9	102886301	16-3	103483601	5-3, 5-5
102552001	5-7, 5-9	102886401	16-3	103483701	5-3, 5-5

INDEX

103508101	9-5	103853122	1-25	104005901	14-15
103510602	14-13	103853124	1-25	104006101	14-15
103528701	5-7	103853125	1-25	104008001	1-35
103528702	5-7	103872701	17-13	104008002	1-37
103535001	5-7, 5-9	103874111	5-17	104008003	1-39
103572501	15-3	103879701	13-11	104008501	1-41
103582801	16-3	103881201	1-43	104008502	1-43
103597101	4-5	103882801	9-5	104008901	1-41
103635201	1-17	103886601	13-5	104008902	1-43
103638601	6-13	103896606	10-9	104021701	13-17
103638701	6-13	103905201	10-3, 10-5	104023201	14-5
103638702	6-13	103921601	6-15, 6-17	104023421	1-23
103638801	6-13	103921602	6-15, 6-17	104023422	1-23
103638901	1-3	103923601	1-9	104023424	1-23
103647402	14-9, 14-11	103924301	4-13	104023425	1-23
103647403	14-9, 14-11	103924401	4-13	104023501	10-15, 13-9
103677101	1-57, 1-59	103924801	8-5, 14-5	104024001	14-5
103679701	6-9, 7-9	103926602	1-3	104024201	17-3, 17-11
103699401	1-25	103929301	1-25	104024202	17-11
103724503	6-3, 6-5, 7-3, 7-5	103929302	1-25	104024401	17-11
103724601	6-3, 7-3	103934901	2-5, 2-7	104024402	17-11
103724602	6-5, 7-5	103935001	2-7	104024501	17-3, 17-5, 17-7, 17-9, 17-13, 17-15
103724901	6-3, 7-3	103935601	6-13	104024601	17-3, 17-5, 17-7, 17-9, 17-13, 17-15
103725601	1-43	103943401	5-17, 14-3	104025101	12-7
103742207	7-13	103944301	10-3, 10-5	104027101	13-17
103742304	6-17, 6-19, 7-13	103951501	13-17	104028501	17-11
103742305	6-15	103952901	1-25	104028502	17-11
103742307	7-13	103953301	8-7	104028601	17-11
103750001	1-41, 1-43, 1-51, 4-15	103964901	6-15, 6-17	104028602	17-11
103750101	1-41, 1-43, 1-51	103965001	6-15, 6-17	104028901	17-3, 17-5, 17-7, 17-9
103754901	1-57, 1-59	103973901	12-5	104029001	17-3, 17-5, 17-7, 17-9
103756401	10-9	103974002	12-7	104029301	17-13, 17-15
103765601	14-9, 14-11	103974201	12-5	104029601	17-3, 17-5
103774701	14-13	103974401	12-5	104029602	17-7
103774801	1-43	103974815	5-11	104029603	17-9
103775201	1-43	103974821	5-13, 5-15	105003601	17-3, 17-5, 17-7, 17-9
103775601	1-43	103974901	5-11, 5-13, 5-15, 5-17	105003701	17-3, 17-5, 17-7, 17-9
103777601	5-11, 5-13, 5-15, 5-17, 8-3	103975011	5-17	105005001	14-17
103783001	6-3, 7-3	103975301	12-7	105005402	1-19
103783002	6-3, 7-3	103976101	12-5	105008101	8-5
103783003	6-3, 7-3	103978001	10-15	105008301	8-5
103795001	10-17	103978801	1-25	105009001	10-17
103796701	6-3, 7-3	103979301	13-17	105009201	10-17
103810201	6-7, 7-7	103979401	9-5	105010001	9-23
103812901	1-27	103982001	10-15	105010101	9-19
103813001	1-27	103982201	9-5	105010201	9-19
103826201	6-9, 7-9	103982301	14-17	105010301	9-19
103826301	6-9, 7-9	103983501	10-13	105010401	9-23
103829401	6-5, 7-5	103984601	12-5	105010501	9-23
103832401	2-5, 2-7	103989501	13-17	105010601	9-23
103832901	1-23	103990503	1-3	105010701	9-23
103833601	1-23	103990601	1-3	105010801	9-19
103833701	1-23	103991501	4-9	105010901	9-19, 10-13
103833801	1-23	103995001	13-17	105011001	9-23
103833901	1-23	103995901	9-11	105011101	9-23
103853121	1-25	104005301	8-9	105011201	9-23

INDEX

105011301	9-23	105017101	9-11	105029201	13-13
105011401	9-23	105017201	10-11	105029301	13-15
105011501	9-23	105017301	9-15	105029401	13-15
105011601	9-23	105017401	9-15	105029501	13-15
105011701	9-23	105017501	9-15	105029601	13-15
105011801	9-23	105017601	9-15	105029701	13-15
105011901	9-19	105017701	9-15	105029801	13-15
105012001	9-19	105017901	9-15	105029901	13-15
105012101	9-19	105018001	9-17	105030001	13-11
105012201	9-19	105018101	9-17	105030301	13-15
105012301	9-19	105018201	9-17	105030401	13-15
105012501	9-23	105018301	9-17	105030501	13-15
105012601	9-11, 9-17, 9-19	105018401	9-17	105030601	13-15
105012701	9-25	105018501	9-19	105030701	13-11
105012801	9-25	105025001	13-11	105030801	13-15
105012901	9-25	105025101	13-11	105030901	13-13
105013001	9-25	105025201	13-11	105031001	13-15
105013101	9-25	105025301	13-11	105037101	4-13
105013201	9-25	105025401	13-11	105037501	13-3
105013301	9-25	105025501	13-11	105037601	13-3
105013401	9-25	105025601	13-11	105037701	13-3
105013501	9-25	105025701	13-11	105038501	13-3
105013601	9-25	105025801	13-11	105038801	13-5
105013701	9-25	105025901	13-11	105039801	13-3
105013801	9-25	105026001	13-11	105040401	13-3
105013901	9-25	105026101	13-11	105040901	13-7
105014001	9-25	105026201	13-11	105041101	13-3
105014101	9-25	105026301	13-11	105043401	10-7
105014201	9-21	105026401	13-11	105043601	10-3, 10-5
105014301	9-21	105026501	13-11	105043801	10-7
105014401	9-21	105026601	13-11	105043901	10-7
105014501	9-21	105026701	13-11	105049001	6-7, 7-7
105014601	9-21	105026801	13-11	105066001	13-15
105014701	9-21	105026901	13-11	105066101	13-15
105014801	9-21	105027001	13-11	105067501	3-7
105014901	9-21	105027101	13-11	105068201	17-11
105015001	9-21	105027201	13-11	105068202	17-11
105015101	9-21	105027301	13-11	105068301	17-11
105015201	9-21	105027401	13-13	105068302	17-11
105015301	9-21	105027501	13-13	105068401	17-11
105015401	9-21	105027601	13-13	105068402	17-11
105015501	9-21	105027701	13-13	105068601	6-7, 7-7
105015601	9-21	105027801	13-13	105070101	17-3, 17-5, 17-11
105015701	9-21	105027901	13-13	105070102	17-7, 17-11
105015801	9-21	105028001	13-13	105070103	17-9, 17-11
105015901	9-21	105028101	13-15	105070501	3-3
105016001	9-15, 9-21	105028201	13-13	105072201	10-3, 10-5
105016101	10-13	105028301	13-11	105073001	10-7
105016201	10-13	105028401	13-13	105074101	13-3
105016301	10-13	105028501	13-11	105075301	9-13
105016401	10-13	105028601	13-13	105076201	11-3
105016501	10-13	105028701	13-13	105081501	8-5
105016701	9-11	105028801	13-13	105081601	8-5
105016801	9-11	105028901	13-13	105082601	17-15
105016901	9-11	105029001	13-13	105082801	17-15
105017001	9-11	105029101	13-13	105083001	17-13, 17-15

INDEX

105084301	17-15	105228801	8-5	47561640001	2-5
105084401	17-13, 17-15	105234501	18-5	47561640002	2-5
105084501	17-15	105234502	18-5	47561641001	2-5
105084801	9-13	105234801	13-11, 13-13	47561642001	2-5
105086801	17-13, 17-15	105234901	13-11, 13-13	47561642002	2-5
105086901	17-15	105237399	8-11	47561643001	2-5
105092301	17-3, 17-5, 17-7, 17-9, 17-13, 17-15	105245801	12-3	47561643002	2-5
105093101	17-3, 17-5, 17-7, 17-9	105255501	8-5	47561644001	2-9
105094101	17-13, 17-15	105255601	8-5	47561644002	2-9
105095201	17-3	105262401	9-5	47561645001	2-9
105096101	12-5	105267301	3-9	47561645002	2-9
105101001	17-15	105267401	3-9	47561646001	2-7
105102601	8-19	105267501	3-9	47561646002	2-7
105114802	8-15	105268101	8-15	47561647001	2-7
105116301	5-17, 14-3	105282901	10-7	47561647002	2-7
105123801	17-3, 17-5, 17-7, 17-9, 17-13, 17-15	105282902	10-7	47561648001	2-9
105134601	9-5	105282903	10-7	47561648002	2-9
105135101	10-15, 13-7	105284801	10-9	47561649001	2-9
105136501	8-13	105288901	1-73	47561649002	2-9
105137401	14-5	105289701	1-57, 1-59	47561650001	2-7
105138301	14-9, 14-11	105291501	1-17	47561650002	2-7
105143301	8-5, 10-3, 10-5	105298701	8-15	47561651001	2-7
105144401	10-15, 13-9	105298801	8-15	47561651002	2-7
105149301	9-5	105299001	17-13	47561652001	2-7
105152301	4-9	105299101	17-13	47561652002	2-7
105161701	8-5, 8-7	105299601	17-13	47561653001	2-7
105166801	14-15	105300801	17-13	47561653002	2-7
105166901	14-15	105313801	1-73	47562652001	5-9
105167001	14-15	105314001	1-17	47562746001	4-5
105167101	14-15	105314101	1-17	47562747001	4-5
105168501	14-15	105315201	17-13	47562748001	4-15
105168601	14-15	47539338001	8-9	47562947001	2-9
105187901	6-13	47539956001	9-3, 9-15	47562947002	2-9
105188185	6-15, 6-17, 6-19, 7-13	47539957001	11-3	47562948001	2-9
105188701	6-19, 7-13	47540040001	9-19	47562948002	2-9
105190101	8-7	47542195001	5-3, 5-5	47562949001	2-5, 2-7, 2-9
105190701	4-15	47546044001	10-3, 10-5	47562951001	2-5, 2-7, 2-9
105209601	18-5	47554736001	4-15	47563300001	1-53
105215501	10-5	47559264001	1-71	47563300002	1-53
105215502	10-3	47559264002	1-71	47563301001	1-53
105223321	1-23	47559265002	1-71, 4-15	47563302001	1-53
105223322	1-23	47559268001	4-15	47563303001	1-53
105223323	1-23	47560030001	14-19	47563304001	1-53
105223324	1-23	47560464001	10-9	47563305001	1-53
105223325	1-23	47560765001	10-17	47563306001	1-55
105223326	1-23	47561033001	3-3	47563307001	1-55
105223327	1-23	47561477001	4-15	47564782001	1-53
105223328	1-23	47561633001	2-3	47564783001	1-53
105223421	1-25	47561634001	2-3	47564784001	1-53
105223422	1-25	47561635001	2-3	47564785001	1-53
105223423	1-25	47561636001	2-3	47564786001	1-53
105223424	1-25	47561637001	2-3	47564787001	1-53
105223425	1-25	47561638001	2-5	47564787002	1-53
105223426	1-25	47561638002	2-5	47564886021	1-55
105223427	1-25	47561639001	2-5	47564886022	1-55
105223428	1-25	47561639002	2-5	47564886024	1-55

INDEX

47564886025	1-55	47576197001	7-13	47582821002	1-45, 1-47, 1-49
47564887021	1-55	47576198001	7-13	47582822001	1-71
47564887022	1-55	47576648001	7-13	47583112001	1-45, 1-47, 1-49
47564887024	1-55	47576649001	6-21, 7-15	47583296001	1-13
47564887025	1-55	47576650001	6-21, 7-15	47583296002	1-13
47564888021	1-55	47576651001	6-21, 7-15	47583297001	1-27
47564888022	1-55	47576652001	6-21, 7-15	47583297002	1-27
47564888023	1-55	47576652002	6-21, 7-15	47583665001	6-19
47564888024	1-55	47576796001	1-57, 1-59	47583666001	6-19
47564888025	1-55	47576797001	1-57	47583795001	9-7
47564888026	1-55	47576798001	1-57	47583912001	6-19
47564888027	1-55	47577554001	1-67	47584184001	9-7
47564888028	1-55	47577555001	1-67	47584406001	4-15
47564889021	1-55	47577556001	1-67	47586040001	3-3
47564889022	1-55	47577557001	1-67	47586191001	3-5, 3-7
47564889023	1-55	47577558001	1-67	47587701001	9-7
47564889024	1-55	47577561001	1-5	47587715001	8-17
47564889025	1-55	47577864001	6-21, 7-15	47589609001	4-15
47564889026	1-55	47577865001	6-21, 7-15	47592393001	3-3
47564889027	1-55	47578016001	1-5	47592811001	1-53
47564889028	1-55	47578327001	1-53	47592812001	1-51
47564890001	9-9	47578437001	1-33	47594727001	4-17
47565226001	1-13	47578438001	1-5	47594888001	3-11
47565226002	1-13	47579059001	1-31	47603899001	7-13
47565226003	1-13	47579060001	1-31	47603900001	7-13
47565226004	1-13	47579061001	1-31	47604229001	8-17
47565226005	1-13	47579062001	1-31	47604230001	14-19
47565226006	1-13	47579065001	1-31	47604303001	4-19
47565226007	1-13	47579066001	1-31	96704176	4-17
47565226008	1-13	47579068001	1-31	96741046	9-5
47565226009	1-13	47579096001	6-15, 6-17, 6-19, 7-13		
47565226010	1-13	47579107001	1-7		
47565226011	1-13	47579669001	1-9	A	
47565226099	1-13	47579759001	1-59	A-arm, lower	7-11
47565234003	4-3	47579760001	1-59	A-arm, three-piece	6-11
47565234004	4-3	47579985001	1-61	A-arm, upper	7-11
47566405001	7-11	47579986001	1-63	absorber, front shock	6-11, 7-11
47566411001	7-11	47580172001	4-5	absorber, rear shock	6-15, 6-17, 6-19, 7-13
47568658001	8-5	47581051001	1-53	AC cord	17-3, 17-11
47568672001	1-53	47581126001	4-15	accelerator cable	10-15
47568673001	1-53	47581127001	4-15	accelerator pedal	5-11, 5-13, 5-15, 5-17, 8-3
47568674001	1-53	47581128001	4-15	accelerator pedal adjustment tool	18-3
47568674002	1-53	47581129001	4-15	access panel	1-27
47568675001	1-53	47581130001	4-15	adapter	
47568676001	1-53	47581131001	1-71, 4-15	air intake	10-13
47568677001	1-53	47581132001	1-71, 4-15	cable (IQDM)	18-5
47570463001	1-69	47581133001	4-15	adhesive, guide ring	18-3
47570464001	1-45	47581133002	4-15	air cleaner assembly	10-17
47570464002	1-47	47581134001	4-15	air deflector	9-13
47570464003	1-49	47581135001	4-15	air filter	9-3, 10-17
47570465001	1-65	47581430001	4-15	air filter canister evacuation valve	10-17
47573601001	10-3, 10-5	47582091001	5-9	air intake adapter	10-13
47574837001	4-5	47582268001	1-69	air intake cover	10-17
47574958001	3-3	47582270001	1-61	air intake hose	10-17
47575464001	1-33	47582271001	1-63	AM1285701	18-5
47576196001	6-19, 7-13	47582821001	1-45, 1-47, 1-49	arbor	18-3
				arm	

INDEX

governor 10-15, 13-9
armature 15-3
armrest 1-23
assembly
 brake lever 5-3, 5-5
 drive hub 12-5
 driven clutch 12-7
 frame and field (motor) 15-3
 fuel cap 10-3, 10-5
 fuel pump 10-7
 moveable-face 12-5, 12-7
 secondary clutch weight 12-5
axle 16-3
axle guard 16-5
axle shaft 13-15
axle shaft oil seal 16-3
axle tube 13-15, 16-3

B

backing plate, brake 5-3, 5-5
backrest 1-55
backrest, beige 1-25
backrest, black 1-25
backrest, gray 1-25
backrest, white 1-25
baffle
 crankcase 9-11
bag hoop 1-25
bag strap 1-25
bag strap buckle 1-25
balance shaft 9-25
ball bearing 8-7, 13-13, 13-15
ball joint, inner 6-9, 7-9
ball, bearing 7-11
barrel, plastic 1-11, 1-13, 1-25, 1-29, 5-11, 5-13, 5-15, 5-17, 14-11
basket 1-71
battery
 8-volt, GC8 Type E 14-9, 14-11
battery bucket 14-9, 14-11
battery charger 17-3, 17-5, 17-7, 17-9, 17-13, 17-15
battery charger wire harness
 onboard 17-15
battery clamp 8-11
battery condition indicator, 48-volt 4-11
battery cross rod tube 14-9, 14-11
battery discharge machine 18-3
battery hold-down 14-9, 14-11
battery terminal protector spray 18-3
battery thermometer 18-3
battery, 12-volt, top-post 8-11
bead, ferrite 14-21
bearing 16-3
 balance shaft 9-23
 ball 7-11, 8-7, 13-13, 13-15

ball (motor) 15-3
crankshaft 9-23
inner axle tube 16-3
thrust 13-11
bearing and oil seal remover 18-3
bearing driver set 18-3
bearing puller 18-3
bearing puller wedge 18-3
beauty panel, front 1-13
beauty panel, rear 1-27
bellows, steering 6-9, 7-9
belt, drive 12-3
belt, starter/generator 8-9
body
 front 1-13
 rear 1-27
 under 1-17
body kick plate (ele) 1-21
body kick plate (gas) 1-19
bolt
 battery, "S" hold-down 14-9, 14-11
boot, switch 8-13, 14-7
bottom, seat 1-55
bracket
 accel.cable 10-15, 13-7
 canopy support 1-41, 1-43
 carbon canister 10-9
 clamshell 1-17
 equalizer 5-7, 5-9
 FNR cable 10-15, 13-7
 governor 10-15, 13-9
 jounce bumper 7-13
 mounting, starter/generator 9-5
 mounting, transaxle/exhaust 9-5
 shock mounting, drv 6-15, 6-17
 shock mounting, pas 6-15, 6-17
 snubber 9-7, 9-9
 starter/generator adjusting 8-9
Bracket, Seat Back, Front, Top, CSMR 1-53
brake adjusting mechanism 5-3, 5-5
brake backing plate 5-3, 5-5
brake cable 5-7, 5-9
brake cluster 5-3, 5-5
brake drum 5-3, 5-5
brake lever 5-3, 5-5
brake pedal 5-11, 5-13, 5-15, 5-17
brake rod 5-11, 5-13, 5-15, 5-17
brake self-adjusting mechanism 5-3, 5-5
brake shoe 5-3, 5-5
brake spring 5-3, 5-5
breather 13-11, 16-3
breather hose 10-13
brow 1-13
brow cap 1-13
brush 15-3
brush box assembly 15-3

brush cover kit, starter/generator 8-7
brush inspection port cover 8-7
brush rigging 15-3
brush spring 8-7, 15-3
brush spring set 8-7
brush spring, starter/generator 8-7
brush terminal, starter/generator 8-7
bucket, battery 14-9, 14-11
bucket, gas vehicle 10-3, 10-5
buckle, bag strap 1-25
bumper
 drive unit (motor) 15-3
 jounce 6-19, 7-13
 rubber 1-31
Bumper, Shock Plug 1-9
bushing 6-11, 6-13, 6-21, 7-15, 12-5, 13-3
 urethane 6-15, 6-17, 6-19, 7-13
button, drive 12-7
buzzer, reverse 4-9, 4-13

C

cable
 accelerator 10-15
 brake 5-7, 5-9
 FNR shifter 13-5
 governor 10-15
calibration test module 18-3
cam
 driven clutch 12-7
cam, engine 9-21
cam, neutral lockout 13-3
camshaft 9-21
camshaft o-ring 9-21
canister, carbon, fuel tank 10-9
canopy 1-35, 1-37, 1-45, 1-49
canopy drain cover 1-35, 1-37, 1-39
canopy handle 1-35, 1-37
canopy strut, front, lh 1-41, 1-43, 1-51
canopy strut, front, rh 1-41, 1-43, 1-51, 4-15
canopy support 1-41, 1-43
canopy support bracket, drv 1-25
canopy support bracket, pas 1-25
canopy support cover, drv 1-41, 1-43, 1-51
canopy support cover, pas 1-41, 1-43, 1-51, 4-15
cap
 center 2-5, 2-7, 2-9
 dust 4-9
 front hub 6-13, 7-11
 fuel, gas, ratchet 10-3, 10-5
 key switch 4-9, 4-13
 rubber 13-17
carbon canister 10-9
carbon canister bracket 10-9
card, safety first 18-5
case

INDEX

- gear 16-3
 - transaxle 13-11
 - CE mark battery bucket plug kit 14-11
 - CE mark decal 14-11
 - CE mark ferrite bead, Fair-rite 14-21
 - CE mark ferrite bead, TDK 14-21
 - center cap 2-5, 2-7, 2-9
 - center shaft 13-13
 - chain, timing 9-21
 - charger bezel tool 18-3
 - charger receptacle 14-5
 - charger, battery, Hi-Freq 17-3, 17-5, 17-7, 17-9, 17-13, 17-15
 - clamp
 - battery 8-11
 - hose 10-3, 10-5, 10-9, 10-17
 - leaf spring 6-13, 7-11
 - p- (fuel filter) 9-13, 10-15
 - clamshell bracket 1-17
 - clip 4-5
 - body trim 1-17, 1-27
 - retainer plate 9-19
 - clip, piston pin 9-25
 - clip, score card 6-3, 7-3
 - cluster, brake 5-3, 5-5
 - clutch
 - pin 13-13
 - clutch cam installation tool 18-3
 - clutch repair kit 12-7
 - clutch tool kit 18-3
 - clutch weight 12-5
 - clutch, drive 12-5
 - clutch, driven 12-7
 - coil, ignition 9-15
 - collar 13-13
 - collet 9-21
 - comfort grip steering wheel 6-3, 7-3
 - comfort grip steering wheel kit 6-3, 7-3
 - component mounting plate 14-17
 - compression gauge 18-5
 - compressor, piston ring 18-5
 - compressor, valve spring 18-7
 - connecting rod 9-25
 - continuity tester 18-5
 - controller diagnostic tool (CDT) 18-5
 - controller diagnostic tool (CDT) cable 18-5
 - controller shield 14-17
 - controller, motor speed
 - Excel w/Hi-Freq 14-17
 - cooling fan 9-11
 - cord reel 17-13, 17-15
 - cord set, DC 17-3, 17-5, 17-7, 17-9, 17-11
 - cord, AC 17-3, 17-11
 - cord, DC 17-13, 17-15
 - counter shaft 13-13
 - cover
 - air intake 10-17
 - brush inspection port 8-7
 - canopy drain 1-35, 1-37, 1-39
 - crankcase 9-23
 - DC terminal block 17-3, 17-5, 17-7, 17-9, 17-13, 17-15
 - dust 5-3, 5-5
 - fan 9-11
 - support, canopy, drv 1-41, 1-43, 1-51
 - support, canopy, pas 1-41, 1-43, 1-51, 4-15
 - USB 17-3, 17-5, 17-7, 17-9, 17-13, 17-15
 - cover plate 15-3
 - cover, rocker 9-19
 - cover, steering column 4-5, 4-7
 - cover, valve 9-19
 - crankcase 9-23
 - crankcase baffle 9-11
 - crankcase cover 9-23
 - crankshaft 9-25
 - cushion, shock absorber 6-15, 6-17, 6-19, 7-13
 - cylinder head 9-19
- ## D
- dash 1-15
 - dash support assembly 1-3, 6-11
 - DC cord 17-13, 17-15
 - DC cord set 17-3, 17-5, 17-7, 17-9, 17-11
 - decal 3-3
 - box bed warning 3-9
 - CE mark 14-11
 - crush area warning 3-9
 - engine warning 9-11
 - filter log 14-15
 - frame ground warning 3-7
 - inspect log 14-15
 - maintenance/operate switch 3-7, 8-13
 - on/off 3-3
 - operating instructions 6-3, 7-3
 - private speed mode 3-3
 - rotating parts 3-7
 - Run/Tow warning 3-5
 - trailer hitch 1-33, 3-9
 - warning 3-5
 - warning, Run/Tow 3-5
 - water exposure 3-5
 - deflector
 - air 9-13
 - deionizer 14-15
 - cartridge 14-15
 - differential 13-15
 - open 13-15
 - differential drive unit 16-3
 - differential gear 16-3
 - differential gear set 13-15
 - differential guard 16-5
 - differential housing 16-3
 - differential shaft 13-15
 - diode 8-5
 - dipstick 9-23
 - drain plug 9-23, 13-11
 - drain plug gasket 9-23
 - drain plug, rubber 8-7
 - drive belt 12-3
 - drive button 12-7
 - drive clutch 12-5
 - drive clutch button 12-5
 - drive clutch holder tool 18-3
 - drive clutch hub puller 18-3
 - drive clutch puller 18-3
 - drive clutch spring 12-5
 - drive clutch weight 12-5
 - drive hub 12-5
 - drive unit bumper 15-3
 - drive unit guard 16-5
 - driven clutch 12-7
 - driven clutch button 12-7
 - driven clutch cam 12-7
 - driven clutch cam puller 18-3
 - driven clutch puller plug 18-3
 - driver, drive clutch 12-5
 - drum, brake 5-3, 5-5
 - dry moly lubricant 18-5
 - dual snubber 9-7
 - dust cap 4-9
 - dust cover 5-3, 5-5
 - dust seal 6-9, 7-9
- ## E
- ECU 10-11
 - end cap, motor 15-3
 - end, tie rod 6-9, 7-9
 - engine
 - air cleaner 10-17
 - air deflector 9-13
 - air filter 9-3, 10-17
 - air intake hose 10-17
 - balance shaft 9-25
 - bearing, balance shaft 9-23
 - bearing, crankshaft 9-23
 - breather hose 10-13
 - cam 9-21
 - camshaft 9-21
 - camshaft O-ring 9-21
 - connecting rod 9-25
 - crankcase 9-23
 - crankcase baffle 9-11
 - crankcase cover 9-23
 - crankcase plug 9-23
 - crankshaft 9-25
 - crankshaft key 9-25
 - cylinder head 9-19
 - dipstick 9-23

INDEX

- drain plug gasket 9-23
 - ECU 10-11
 - exhaust valve 9-21
 - fan 9-11
 - fan housing 9-11
 - flywheel 9-15
 - fuel injector 10-11
 - guide pin 9-23
 - head gasket 9-19
 - ignition coil 9-15
 - insulator, throttle body 10-13
 - intake valve 9-21
 - oil drain plug 9-23
 - oil filler tube 9-23
 - oil filler tube O-ring 9-23
 - oil level sensor 9-17
 - oil seal 9-23
 - piston 9-25
 - piston pin 9-25
 - piston pin clip 9-25
 - piston ring set 9-25
 - retainer plate 9-19
 - retainer plate clip 9-19
 - rocker arm 9-21
 - rocker cover 9-19
 - rocker shaft 9-21
 - spark plug 9-3, 9-15
 - temperature sensor 9-17
 - throttle body 10-11
 - timing chain 9-21
 - timing chain guide 9-21
 - timing chain sprocket 9-21
 - timing chain tensioner 9-21
 - valve collet 9-21
 - valve guide 9-19
 - valve seal 9-19
 - valve spring 9-21
 - valve spring retainer 9-21
 - warning decal 9-11
 - engine warning decal 9-11
 - engine, EX40 9-5
 - equalizer 5-7, 5-9
 - exhaust system 11-3
 - exhaust valve 9-21
- F**
- face, moveable 12-7
 - fan
 - cooling 9-11
 - fan cover 9-11
 - fan housing 9-11
 - fender
 - front 1-11
 - rear 1-29
 - ferrite bead (CE), Fair-rite 14-21
 - ferrite bead (CE), TDK 14-21
- field coil housing 8-7
 - filter
 - air 9-3, 10-17
 - fuel 10-7
 - floor cover plate 5-11, 5-13, 5-15, 5-17
 - floormat 1-17
 - flywheel 9-15
 - FNR handle 13-3
 - FNR housing 14-7
 - FNR shift lever 13-7
 - FNR shifter base 13-3
 - FNR shifter cable 13-5
 - fold down seat 1-53
 - frame and field assembly (motor) 15-3
 - frame and field, starter/generator 8-7
 - front body beauty panel 1-13
 - front fenders 1-11
 - front hub 6-13
 - front suspension structure 6-11, 7-11
 - fuel filter 10-7
 - Fuel Filter Kit 10-7
 - fuel injector 10-11
 - fuel line 10-9
 - Fuel Module, Hold-Down Ring 10-7
 - Fuel Pump 10-7
 - fuel pump 10-7
 - fuel tank 10-3, 10-5
 - fuse
 - 10-amp 8-5
 - 15-amp 14-5
 - 2-amp 8-5, 14-5
 - 30-amp 14-5, 17-15
 - 5-amp 8-5
- G**
- gas pedal assembly, anodized 5-13, 5-15
 - gas pedal assembly, anodized triac 5-11
 - gasket 13-11
 - air intake 10-17
 - drain plug 9-23
 - insulator 10-13
 - liquid 16-3, 18-5
 - plug 16-3
 - seat 1-23
 - gasket, head 9-19
 - gauge, compression 18-5
 - gear
 - 17 tooth 13-13
 - 34 tooth 13-13
 - 52 tooth 13-13
 - 60 tooth 13-15
 - 62 tooth 13-13
 - differential 16-3
 - differential idler 16-3
 - differential output 16-3
 - governor 13-13
 - governor, 34 tooth 13-13
 - set, differential 13-15
 - gear yoke 18-5
 - gearcase 16-3
 - governor arm 10-15, 13-9
 - governor cable 10-15
 - governor gear shaft 13-11
 - governor shaft 13-11
 - grip, pencil 6-3, 7-3
 - grommet 10-3, 10-5
 - guard, differential 16-5
 - guide
 - valve 9-19
 - guide pin 9-23, 13-11
 - guide ring adhesive 18-3
 - guide, timing chain 9-21
- H**
- handle, canopy 1-37
 - handle, FNR 13-3
 - harness
 - instrument panel lighting 4-5
 - Visage strut 4-15
 - harness, instrument panel 4-9, 8-5
 - harness, wire 4-7, 8-5, 14-5
 - harness, wire, gas engine-ECU 8-5
 - harness, wire, gas IP 8-5
 - harness, wire, onboard battery charger 17-15
 - head gasket 9-19
 - head, cylinder 9-19
 - headlight 4-3
 - hinge 14-9, 14-11
 - seat bottom 1-23
 - hinge, seat bottom 1-23
 - hip restraint 1-23
 - hold-down, battery 14-9, 14-11
 - hoop, bag 1-25
 - horn 4-7
 - hose
 - air intake 10-17
 - engine breather 10-13
 - fuel vent 10-9
 - SPWS 14-13
 - vent 10-9
 - housing
 - 3-pin 15-3
 - differential 16-3
 - fan 9-11
 - field coil 8-7
 - hub 6-13, 7-11, 13-17
 - hub cap 6-13, 7-11
 - hub, front 6-13
 - hydrometer 18-5

INDEX

- I**
- idler gear, differential 16-3
 - ignition coil 9-15
 - indicator, charger 4-9
 - inner ball joint 6-9, 7-9
 - inner frame snubber 9-9
 - input shaft 13-13, 16-3
 - instrument panel 4-9, 4-13
 - instrument panel harness 4-9, 8-5
 - insulator 10-13
 - insulator gasket 10-13
 - intake cover 10-17
 - intake valve 9-21
 - intermediate shaft 16-3
 - internal retaining ring pliers 18-5
 - isolator, shock damper 6-15, 6-17, 6-19, 7-13
- J**
- J-clip 1-3, 6-15, 6-17
 - jounce bumper 6-19, 7-13
 - jounce bumper bracket 7-13
- K**
- key
 - driven clutch 12-7
 - On/Off 4-9, 4-13
 - square 12-7
 - key switch 4-9, 4-13
 - key switch cap 4-9, 4-13
 - key,crankshaft 9-25
 - kick plate (ele) 1-21
 - kick plate (gas) 1-19
 - king pin 6-13
 - kit
 - 3-pin housing 15-3
 - ball joint, inner 6-9, 7-9
 - bellows, steering, sona 6-9, 7-9
 - brake cable 5-7
 - brake shoe retainer 5-3, 5-5
 - canopy hardware 1-45, 1-47, 1-49
 - CE battery bucket plug 14-11
 - chair holder 1-65
 - clutch repair 12-7
 - comfort grip steering wheel 6-3, 7-3
 - controller diagnostic tool (CDT) 18-5
 - deflector, air 9-13
 - drive clutch button 12-5
 - drive clutch weight 12-5
 - driven clutch button 12-7
 - fenders, front 1-11
 - fenders, rear 1-29
 - front hub replacement 6-13, 7-11
 - hand pump, SPWS 14-15
 - motor brush 15-3
 - motor brush spring 15-3
 - motor cover plate 15-3
 - motor speed sensor 15-3
 - motor terminal hardware 15-3
 - relay, 48V 4-5
 - SAM assembly 1-25
 - seat bottom 1-23
 - shock absorber 6-15, 6-17
 - shock absorber cushion 6-15, 6-17
 - shoe retainer 5-3, 5-5
 - knob, light switch 4-13
- L**
- leaf spring, rear 6-15, 6-17, 6-19, 7-13
 - lever
 - transaxle shift 13-7
 - light
 - oil 4-13
 - tail 4-21
 - water quality 14-15
 - light switch 4-13
 - light switch knob 4-13
 - limit switch 8-19, 13-3
 - line, fuel 10-9
 - liquid gasket 16-3, 18-5
 - low oil warning light 4-13
 - lower A-arm 7-11
 - lubricant, dry moly 18-5
 - lubricant, moly-teflon 15-3, 18-5
 - lug nut 2-5, 2-7, 2-9
 - lug stud 6-13, 13-17, 16-3
- M**
- magnet, speed sensor 15-3
 - mat, floor 1-17
 - MCOR 5-17, 14-3
 - mechanism, brake adjusting 5-3, 5-5
 - meter, volt ohm 18-7
 - mirror 1-73
 - module
 - calibration test 18-3
 - moly-teflon lubricant 18-5
 - motor
 - 48-volt IQ 15-3
 - motor brush kit 15-3
 - motor brush spring kit 15-3
 - motor bumper 15-3
 - motor end cap 15-3
 - motor magnet, speed sensor 15-3
 - motor speed controller
 - Excel w/Hi-Freq 14-17
 - motor speed sensor 15-3
 - motor speed sensor kit 15-3
 - motor terminal hardware kit 15-3
 - motor wire harness 14-5
 - mounting plate, component 14-17
 - moveable-face 12-5, 12-7
- N**
- neutral lockout cam 13-3
 - nut
 - push 1-31
 - nut, lug 2-5, 2-7
- O**
- oil filler tube 9-23
 - oil level sensor 9-17
 - oil seal 9-23, 13-11
 - oil warning light, low 4-13
 - O-ring 9-21, 9-23
 - O-ring Kit, Fuel Module 10-7
 - O-Ring, Fuel Module 10-7
- P**
- paint, underbody (black) 18-5
 - panel
 - access 1-27
 - front body beauty 1-13
 - rear body beauty 1-27
 - SAM 1-25
 - panhard 6-21, 7-15
 - park brake release, anod 5-11, 5-13, 5-15, 5-17, 8-3
 - p-clamp (fuel filter) 9-13, 10-15
 - pedal assembly, gas, anodized 5-13, 5-15
 - pedal assembly, gas, anodized triac 5-11
 - pedal, accelerator 5-11, 5-13, 5-15, 5-17, 8-3
 - pedal, brake 5-11, 5-13, 5-15, 5-17
 - pencil grip 6-3, 7-3
 - pin
 - bow tie locking 5-7, 5-9
 - clevis 5-7, 5-9
 - differential 13-15
 - guide 9-23, 13-11
 - input shaft 13-13
 - king 6-13
 - piston 9-25
 - piston 9-25
 - piston pin 9-25
 - piston pin clip 9-25
 - piston ring 9-25
 - piston ring compressor 18-5
 - piston ring pliers 18-5
 - piston ring set 9-25
 - plate
 - backing (brake) 5-3, 5-5
 - component mounting 14-17
 - cover 15-3
 - floor cover 5-11, 5-13, 5-15, 5-17
 - kick(ele) 1-21
 - kick(gas) 1-19

INDEX

- mounting, CVT, center 9-5
- mounting, engine/axle 9-5
- retainer 9-19
- pliers
 - internal retaining ring 18-5
 - piston ring 18-5
 - retaining ring 18-5
- plug
 - drain 13-11
 - driven clutch puller 18-3
 - oil drain 9-23
 - rubber drain 8-7
 - rubber, crankcase 9-23
 - spark 9-3, 9-15
- press weldment 18-3
- protector spray, battery terminal 18-3
- puller
 - bearing 18-3
 - drive clutch 18-3
 - drive clutch hub 18-3
 - driven clutch cam 18-3
 - seal 18-5
- pulley
 - starter-generator 8-7
 - v-belt 8-7
- pump
 - fuel 10-7
- push nut 1-31
- R**
 - rack and pinion 6-9, 7-9
 - rear body beauty panel 1-27
 - rear fenders 1-29
 - rear underbody support 1-25
 - receptacle 14-5
 - reel cord 17-13, 17-15
 - reflector 1-13, 1-27, 1-53
 - refractometer 18-5
 - regulator, voltage 8-11
 - relay 4-5
 - relay, 12-volt 4-13
 - relay, 48V 4-5
 - release, anod park brake 5-11, 5-13, 5-15, 5-17, 8-3
 - remover, bearing and oil seal 18-3
 - resistor assembly 14-17
 - retainer
 - brake shoe 5-3, 5-5
 - shock absorber cushion 6-15, 6-17, 6-19, 7-13
 - valve spring 9-21
 - retainer plate 9-19
 - retaining ring pliers 18-5
 - reverse buzzer 4-9, 4-13
 - rim (wheel) 2-7
 - ring
 - piston 9-25
 - retaining 12-5, 12-7, 13-3, 13-11, 13-17
 - spiral backup 12-5
 - Rivet, Removable 1-27, 1-31
 - rock guard 16-5
 - rocker arm 9-21
 - rocker cover 9-19
 - rocker shaft 9-21
 - rocker switch 14-7
 - rod
 - brake 5-11, 5-13, 5-15, 5-17
 - connecting 9-25
 - rubber bumper 1-31
- S**
 - safety first card 18-5
 - SAM (structural accessory module) 1-25
 - SAM assembly kit 1-25
 - SAM panel 1-25
 - score card clip 6-3, 7-3
 - score card plate 6-3, 7-3
 - seal
 - dust 6-9, 7-9
 - lip 16-3
 - oil 9-23, 13-11, 16-3
 - valve 9-19
 - seal puller 18-5
 - seal, bulb 1-57, 1-59
 - sealant 16-3
 - seat back 1-55
 - seat back, beige 1-25
 - seat back, black 1-25
 - seat back, gray 1-25
 - seat back, white 1-25
 - seat bottom 1-55
 - seat bottom kit 1-23
 - seat gasket 1-23
 - seat hinge 1-23
 - select shaft 13-11
 - sensor
 - oil level 9-17
 - temperature 9-17
 - sensor, motor speed 15-3
 - shaft
 - axle 13-15
 - balance 9-25
 - center 13-13
 - counter 13-13
 - differential 13-15
 - governor 13-11
 - governor gear 13-11
 - input 13-13, 16-3
 - intermediate 16-3
 - rocker 9-21
 - select 13-11
 - shift 13-13
 - shield, charger 17-15
 - shield, controller 14-17
 - shield, debris aux 5-11, 5-13, 5-15, 5-17
 - shield, debris primary 5-11, 5-13, 5-15, 5-17
 - shift lever 13-7
 - shift shaft 13-13
 - shock absorber (front) 6-11, 7-11
 - shock absorber (rear) 6-15, 6-17, 6-19, 7-13
 - shock absorber cushion 6-15, 6-17, 6-19, 7-13
 - shock absorber cushion retainer 6-15, 6-17, 6-19, 7-13
 - shock damper isolator 6-15, 6-17, 6-19, 7-13
 - shock mounting bracket, drv 6-15, 6-17
 - shock mounting bracket, pas 6-15, 6-17
 - shoe retainer kit 5-3, 5-5
 - shoe, brake 5-3, 5-5
 - sleeve 6-11, 6-13, 6-15, 6-17, 6-19, 6-21, 7-13, 7-15, 13-11
 - snubber bracket 9-7, 9-9
 - snubber, dual 9-7
 - snubber, inner frame 9-9
 - solenoid, 12-volt 8-11
 - spacer 13-11, 13-13
 - spark plug 9-3, 9-15
 - speed controller
 - Excel w/Hi-Freq 14-17
 - speed sensor 15-3
 - speed sensor magnet 15-3
 - speed sensor, motor 15-3
 - spindle 6-13, 7-11
 - spiral backup ring 12-5
 - spray, battery terminal protector 18-3
 - spring 13-11
 - brake 5-3, 5-5
 - brush 8-7, 15-3
 - compression 6-3, 7-3
 - drive button 12-5
 - drive clutch 12-5
 - driven clutch 12-7
 - forward/reverse cam 13-3
 - valve 9-21
 - spring retainer 9-21
 - spring, leaf, rear 6-15, 6-17, 6-19, 7-13
 - SPWS hose 14-13
 - starter/generator 8-7
 - starter/generator brush cover kit 8-7
 - starter/generator brush spring 8-7
 - starter/generator brush terminal 8-7
 - starter/generator frame and field 8-7
 - starter/generator pulley 8-7
 - steering column bearing press tool 18-7
 - steering column cover 4-5, 4-7
 - steering column retaining ring tool 18-7
 - steering wheel 6-3, 6-5, 7-3, 7-5
 - steering wheel (comfort grip) kit 6-3, 7-3
 - steering wheel puller tool 18-7

INDEX

strap, bag 1-25
strut, front canopy, lh 1-41, 1-43, 1-51
strut, front canopy, rh 1-41, 1-43, 1-51, 4-15
stud
 exhaust mounting
 engine
 exhaust mounting stud 9-19
 intake mounting
 engine
 intake mounting stud 9-19,
 10-13
 lug 6-13, 13-17, 16-3
support, canopy 1-41, 1-43
support, underbody, rear 1-25
suspension, front structure 6-11, 7-11
switch
 key 4-9, 4-13
 light 4-13
 limit 8-19, 13-3
 rocker 14-7
 Tow/Run 14-7
 turn signal 4-5
switch rubber boot 8-13, 14-7
switch, toggle 8-13

T

12-volt solenoid 8-11
tachometer 18-7
taillight 4-21
tank, fuel 10-3, 10-5
temperature sensor 9-17
tensioner, timing chain 9-21
tester, continuity 18-5
thermometer, battery 18-3
three-piece A-arm 6-11
throttle body 10-11
throttle, gas, Gen2, triac, sensor 5-11, 8-3
throttle, Gen2, no sensor 5-13, 5-15, 5-17
tie rod end 6-9, 7-9
tie rod extension 7-11
tie wrap 1-43, 6-9, 7-9, 13-5, 14-5, 14-21, 17-13
timing chain 9-21
timing chain guide 9-21
tire 2-7, 2-9
tire, pro tour, 205-50 x 10 2-3, 2-7
toggle switch 8-13
tool
 accelerator pedal adjustment 18-3
 belt tensioning, starter/generator 18-7
 charger bezel 18-3
 clutch cam installation 18-3
 drive clutch holder 18-3
 steering column bearing press 18-7
 steering column retaining ring 18-7
 steering wheel puller 18-7
 transaxle axle seal 18-7

transaxle pinion seal 18-7
transmission 18-7
tool kit, clutch 18-3
touch-up paint 18-5
Tow/Run switch 14-7
transaxle (Electric Vehicle) 16-3
transaxle axle seal tool 18-7
transaxle guard 16-5
transaxle pinion seal tool 18-7
transaxle, open-diff (Gas Vehicle) 13-11
transmission tool 18-7
trunk 1-31
tube
 axle 13-15, 16-3
 battery cross rod 14-9, 14-11
 oil filler 9-23
Tufflok 1-27, 1-31
turn signal switch 4-5

U

U-bolt 6-15, 6-17, 6-19, 7-13
underbody 1-17
underbody support, rear 1-25
upper A-arm 7-11
urethane bushing 6-15, 6-17, 6-19, 7-13
USB
 cover 17-3, 17-5, 17-7, 17-9, 17-13, 17-15
 port 14-19
USB cover 17-3, 17-5, 17-7, 17-9, 17-13, 17-15
USB port 14-19

V

valance 1-31
valve
 exhaust 9-21
 intake 9-21
valve collet 9-21
valve cover 9-19
valve guide 9-19
valve seal 9-19
valve spring 9-21
valve spring compressor 18-7
vent
 fuel tank 10-3, 10-5
 transaxle 13-11
vent, barb 10-9
volt ohm meter 18-7
voltage regulator 8-11

W

warning light, low oil 4-13
water quality light 14-15
wedge, bearing puller 18-3
weight
 clutch 12-5

secondary clutch 12-5
weldment
 governor bracket 10-15, 13-9
 press 18-3
wheel 2-7, 2-9
 center cap 2-5, 2-7, 2-9
 steering 6-3, 6-5, 7-3, 7-5
windshield channel 1-57, 1-59
wire
 green, starter/generator 8-5, 8-7
 ground, fuel tank 8-5, 10-3, 10-5
wire harness 4-7, 8-5, 14-5
wire harness, EFI 8-5
wire harness, Excel w/Hi-Freq, MCOR3 14-5
wire harness, onboard battery charger 17-15
wrap, tie 1-43, 6-9, 7-9, 13-5, 14-5, 14-21, 17-13

Y

yoke, gear 18-5



Club Car, Inc.
P.O. Box 204658
Augusta, GA 30917-4658
USA

Web www.clubcar.com
Phone 1.706.863.3000
1.800.ClubCar
Int'l +1 706.863.3000
Fax 1.706.863.5808