



DS GASOLINE ILLUSTRATED PARTS LIST



4152 WASHINGTON ROAD
P.O. Box 204658
AUGUSTA, GEORGIA 30917-4658
USA
TELEPHONE: 706-863-3000
TELEX 54-5444
FACSIMILE: 706-860-7231

MANUAL NUMBER
1014475
ISSUE DATE OCTOBER 1991
1091D1091A



MASTERS

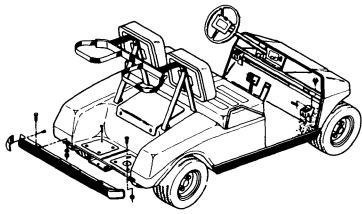
GOLF & UTILITY VEHICLES

www.mastersgolfcarts.com - 905-436-0606 - 1-855-226-0606

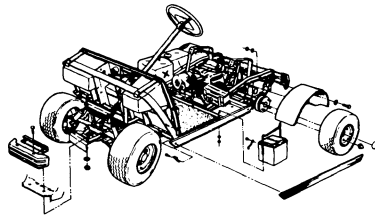
CONTENTS

| | |
|---|--------------------|
| VISUAL INDEX | iii |
| BODY AND TRIM GROUP | SECTION I |
| Figure 1-1. Final Assembly, Gas Car. Sheet 1 of 2 | 1-2 |
| Listing | 1-3 |
| Figure 1-1. Final Assembly, Gas Car. Sheet 2 of 2 | 1-4 |
| Listing | 1-5 |
| Figure 1-2. Body Assembly, Covers — Front and Rear | 1-6 |
| Listing | 1-7 |
| Figure 1-3. Seat Back and Bag Hoop Assembly | 1-8 |
| Listing | 1-9 |
| Figure 1-4. Seat Bottom and Armrest Assembly | 1-10 |
| Listing | 1-11 |
| POWER TRAIN GROUP | SECTION II |
| Figure 2-1. Final Assembly, Engine. | 2-2 |
| Listing | 2-3 |
| Figure 2-1. Final Assembly, Engine. | 2-4 |
| Listing | 2-5 |
| Figure 2-1. Final Assembly, Engine. | 2-6 |
| Listing | 2-7 |
| Figure 2-2. Drive Clutch | 2-8 |
| Listing | 2-9 |
| Figure 2-3. Driven Clutch | 2-10 |
| Listing | 2-10 |
| Figure 2-4. Muffler Assembly | 2-11 |
| Listing | 2-11 |
| Figure 2-5. Air Cleaner W/Carburetor and Linkage | 2-12 |
| Listing | 2-13 |
| Figure 2-6. Carburetor Assembly | 2-14 |
| Listing | 2-15 |
| Figure 2-7. Generator/Starter | 2-16 |
| Listing | 2-17 |
| Figure 2-8. Transmission Assembly | 2-18 |
| Listing | 2-18 |
| Figure 2-9. Drive Unit | 2-20 |
| Listing | 2-21 |
| Figure 2-10. F & R Shifter Assembly | 2-22 |
| Listing | 2-23 |
| Figure 2-11. Inner Frame Assembly | 2-24 |
| Listing | 2-25 |
| Figure 2-12. Fuel System Assembly | 2-26 |
| Listing | 2-27 |
| SUSPENSION AND STEERING GROUP | SECTION III |
| Figure 3-1. Steering Column Assembly. | 3-2 |
| Listing | 3-3 |
| Figure 3-1. Steering Assembly. | 3-4 |
| Listing | 3-5 |
| Figure 3-2. Front Suspension Assembly | 3-6 |
| Listing | 3-7 |
| Figure 3-3. Rear Suspension Assembly | 3-8 |
| Listing | 3-9 |
| BRAKE SYSTEM AND PEDAL GROUP | SECTION IV |
| Figure 4-1. Brake Cluster, Right Hand and Left Hand | 4-2 |
| Listing | 4-3 |
| Figure 4-2. Brake Pedal and Cable Assembly. | 4-4 |
| Listing | 4-5 |
| Figure 4-3. Accelerator Pedal Assembly | 4-6 |
| Listing | 4-7 |
| ELECTRICAL SYSTEM | SECTION V |
| Figure 5-1. Final Assembly, Wiring Diagram, Gas Car | 5-2 |
| Listing | 5-3 |
| Figure 5-2. Electrical Component Box Assembly | 5-4 |
| Listing | 5-5 |
| ACCESSORIES | SECTION VI |
| MAINTENANCE AND SERVICE TOOLS | SECTION VII |

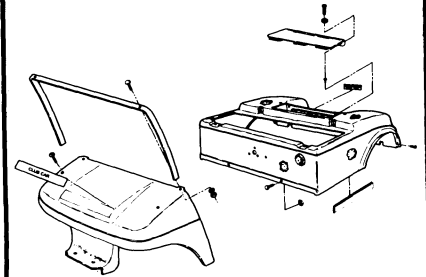
DS GASOLINE CLUB CAR



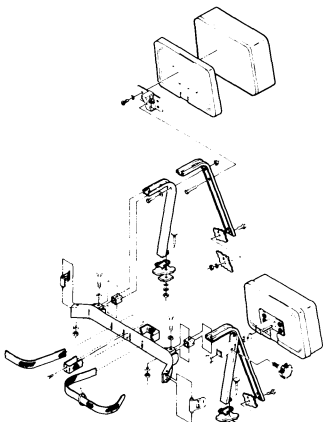
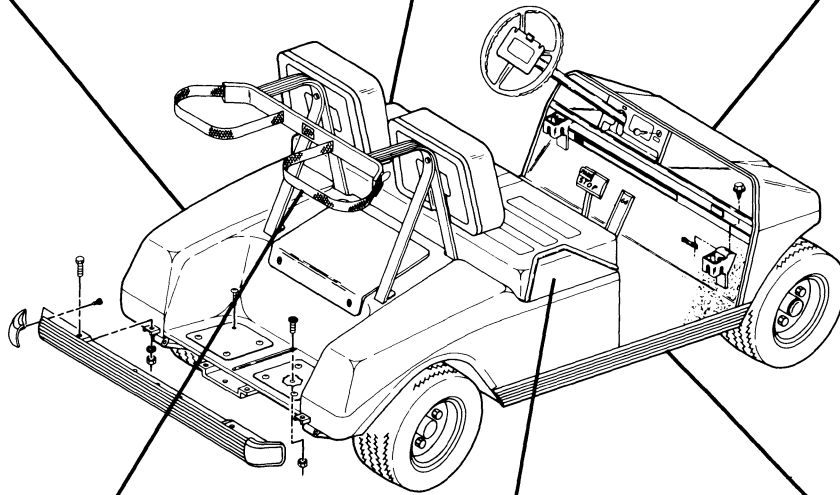
FINAL ASS'Y, GAS CAR
FIGURE 1-1 (SHEET 1 OF 2)
PAGE 1-2



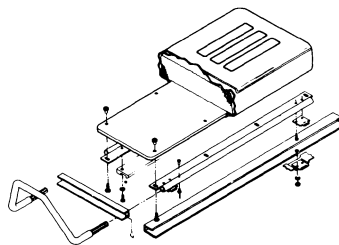
FINAL ASS'Y, GAS CAR
FIGURE 1-1 (SHEET 2 OF 2)
PAGE 1-4



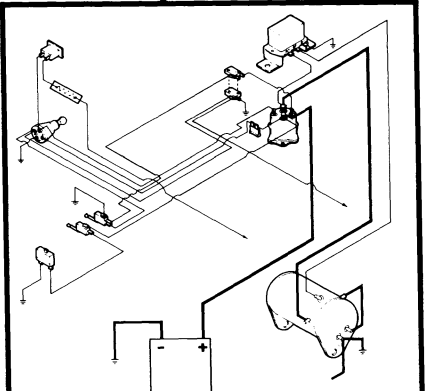
BODY ASS'Y, COVERS
FIGURE 1-2
PAGE 1-6



SEAT BACK & BAG HOOP ASS'Y
FIGURE 1-3
PAGE 1-8



SEAT BOTTOM ASS'Y
FIGURE 1-4
PAGE 1-10

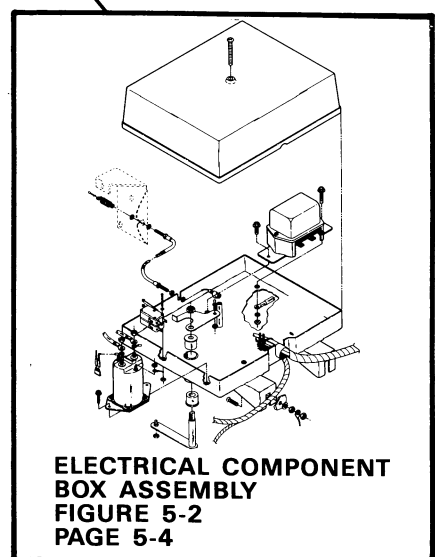
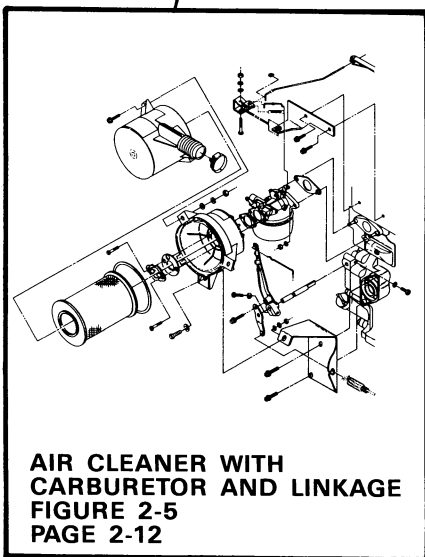
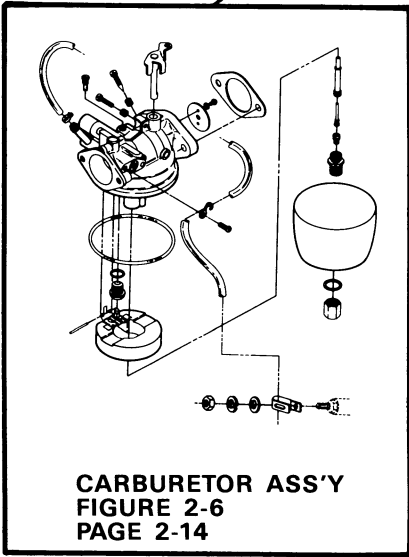
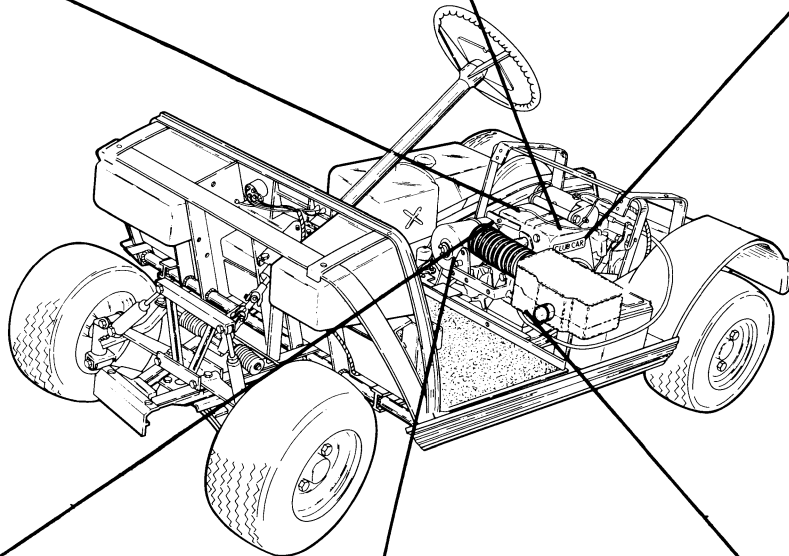
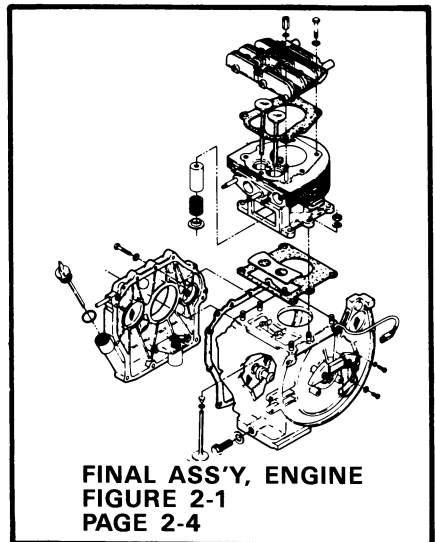
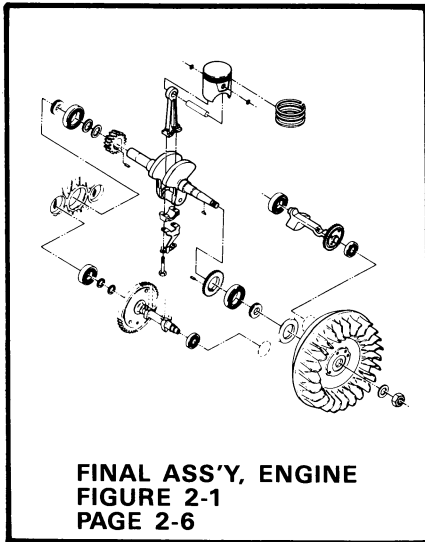
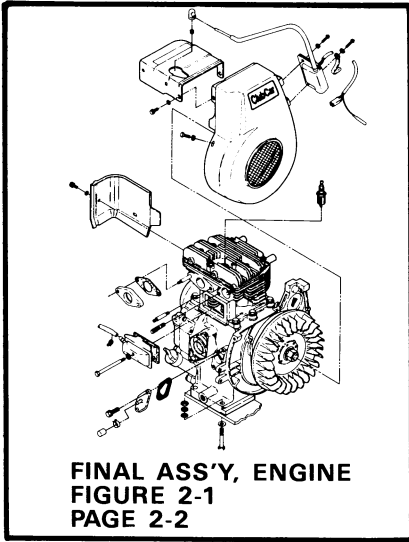


FINAL ASS'Y, WIRING DIAGRAM
FIGURE 5-1
PAGE 5-2

VISUAL INDEX I

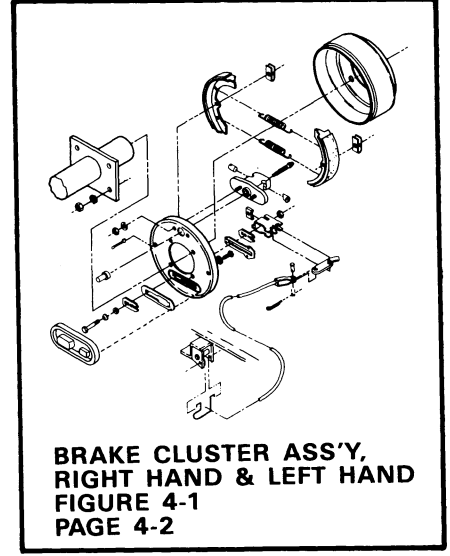
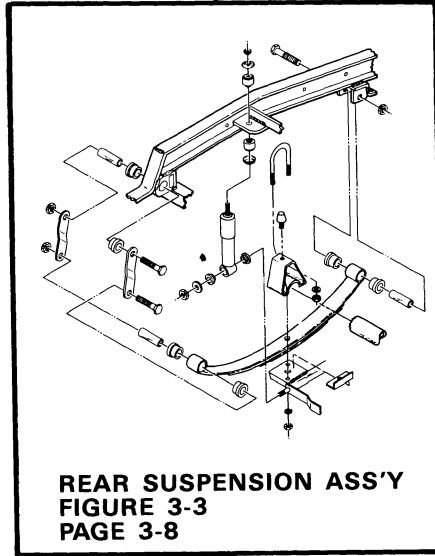
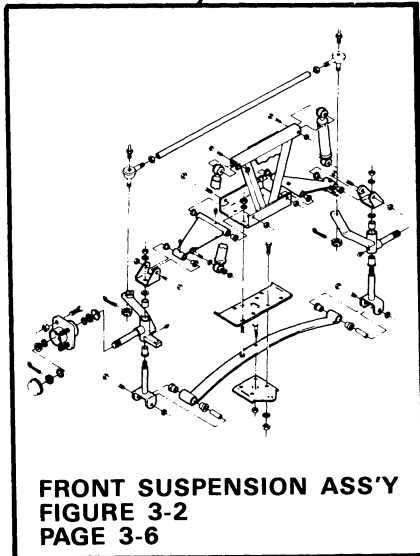
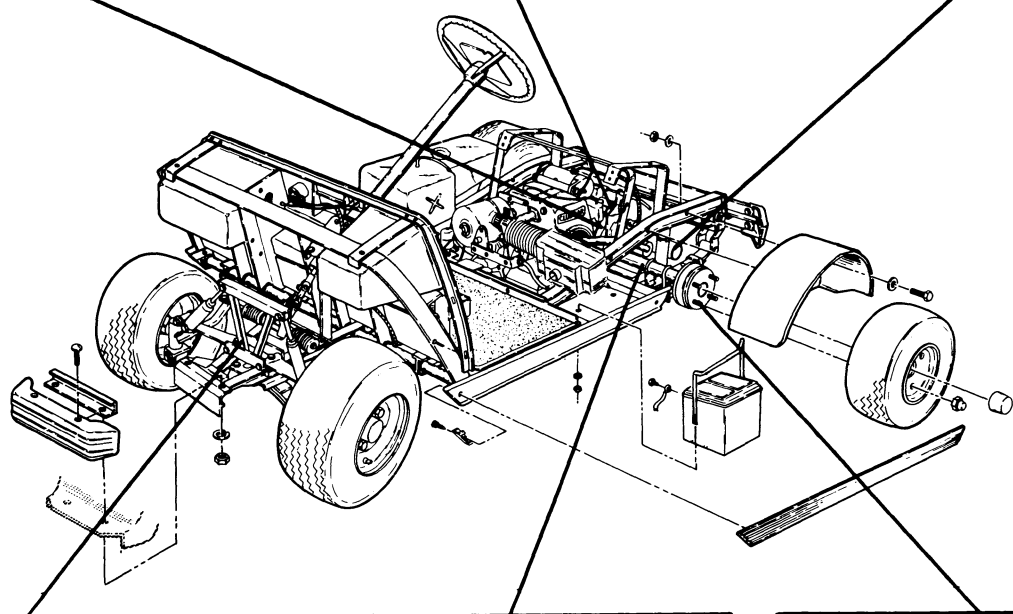
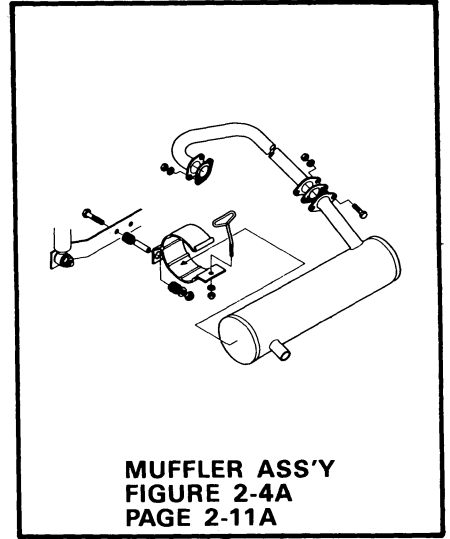
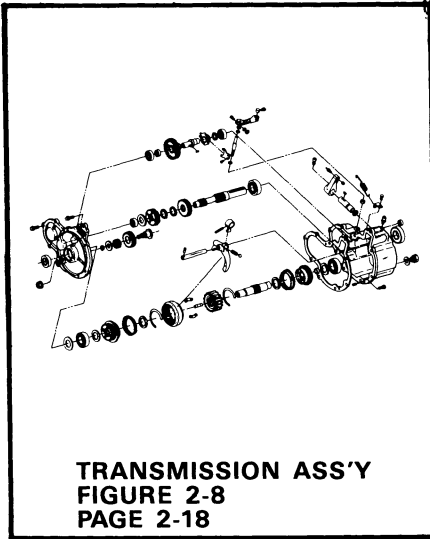
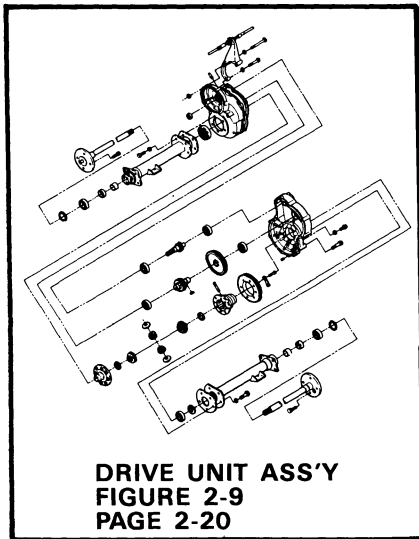


DS GASOLINE CLUB CAR



VISUAL INDEX II

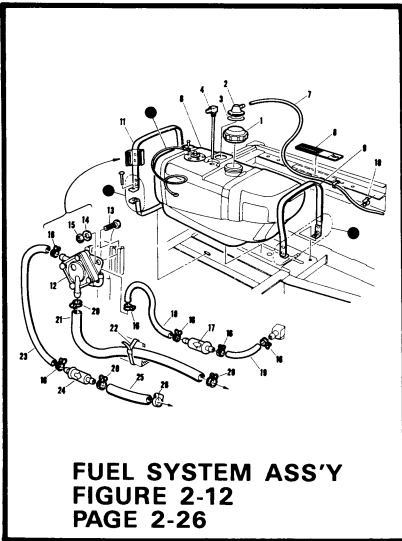
DS GASOLINE CLUB CAR



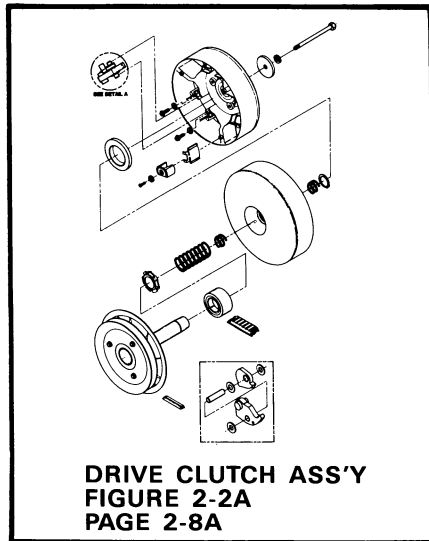
VISUAL INDEX III



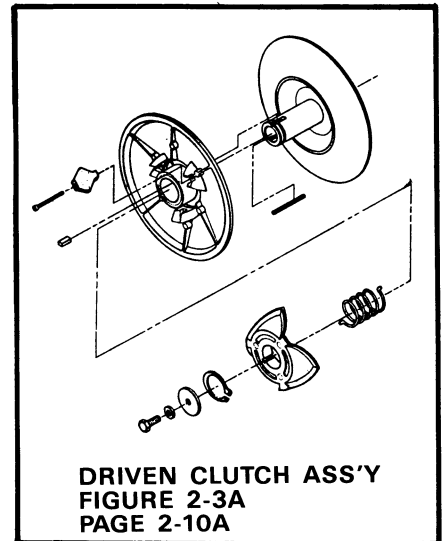
DS GASOLINE CLUB CAR



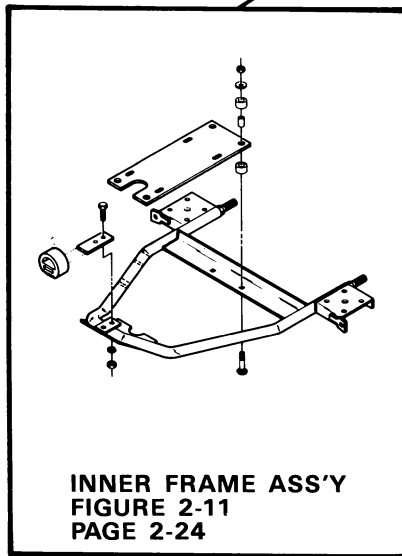
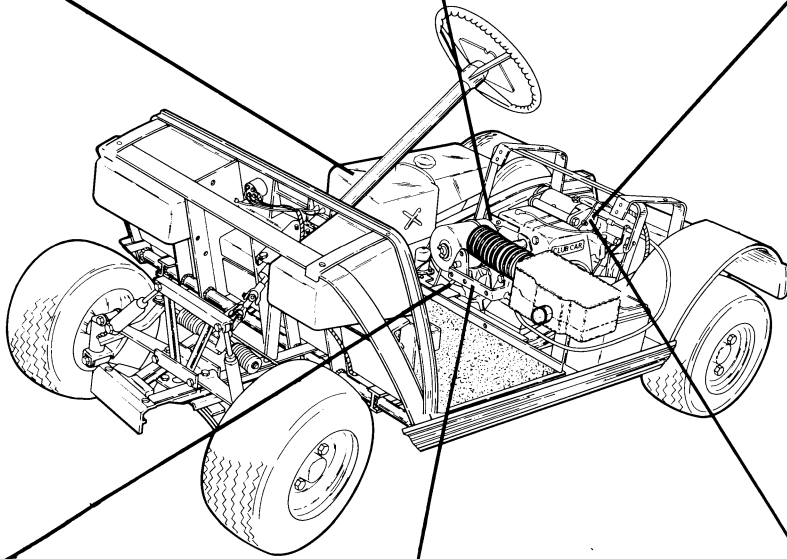
FUEL SYSTEM ASS'Y
FIGURE 2-12
PAGE 2-26



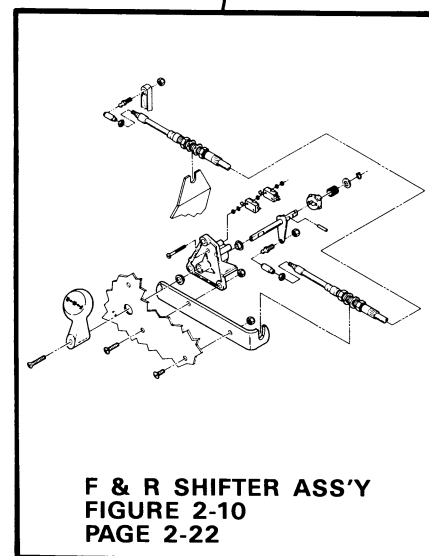
DRIVE CLUTCH ASS'Y
FIGURE 2-2A
PAGE 2-8A



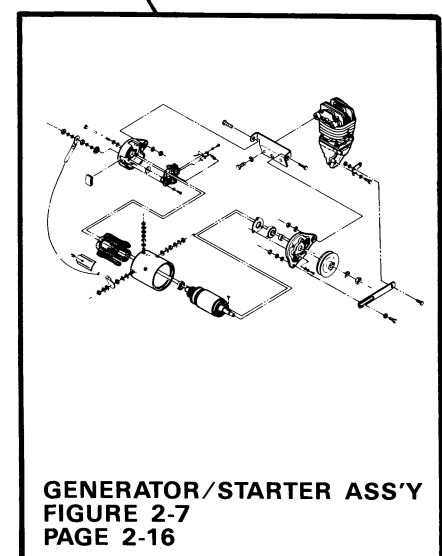
DRIVEN CLUTCH ASS'Y
FIGURE 2-3A
PAGE 2-10A



INNER FRAME ASS'Y
FIGURE 2-11
PAGE 2-24



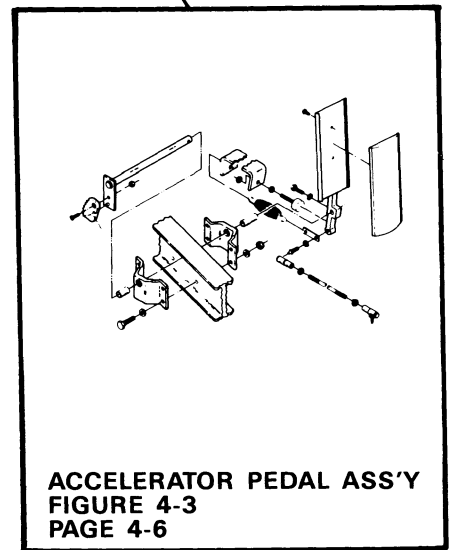
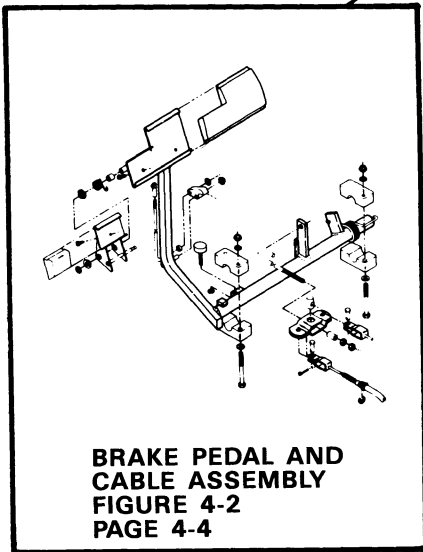
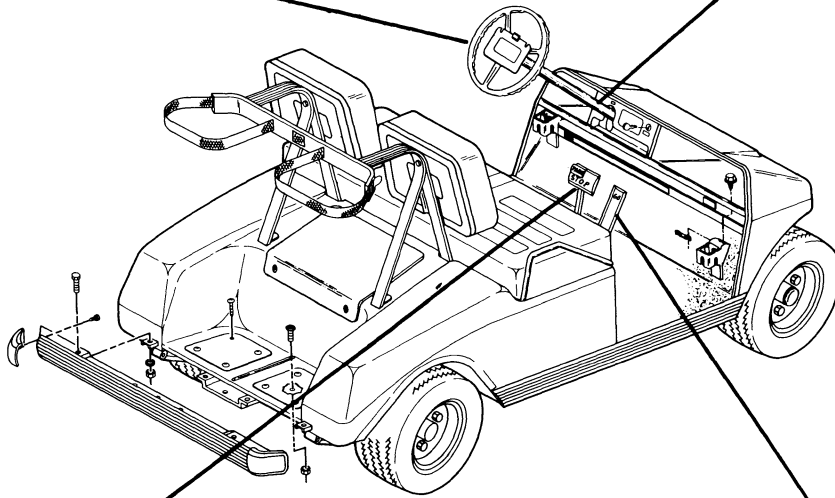
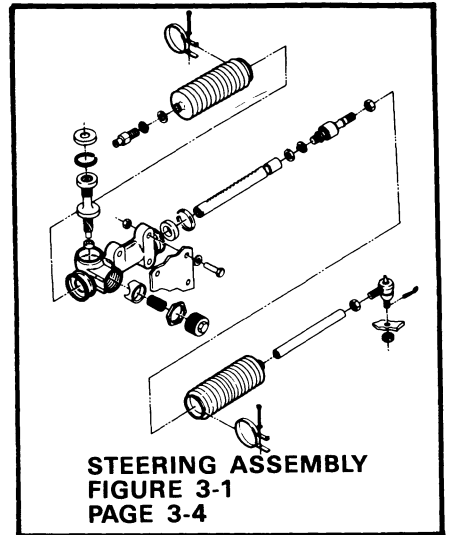
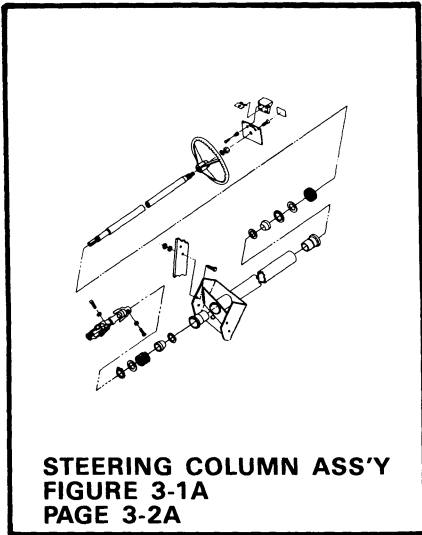
F & R SHIFTER ASS'Y
FIGURE 2-10
PAGE 2-22



GENERATOR/STARTER ASS'Y
FIGURE 2-7
PAGE 2-16

VISUAL INDEX IV

DS GASOLINE CLUB CAR



VISUAL INDEX V



Section I

BODY AND TRIM GROUP

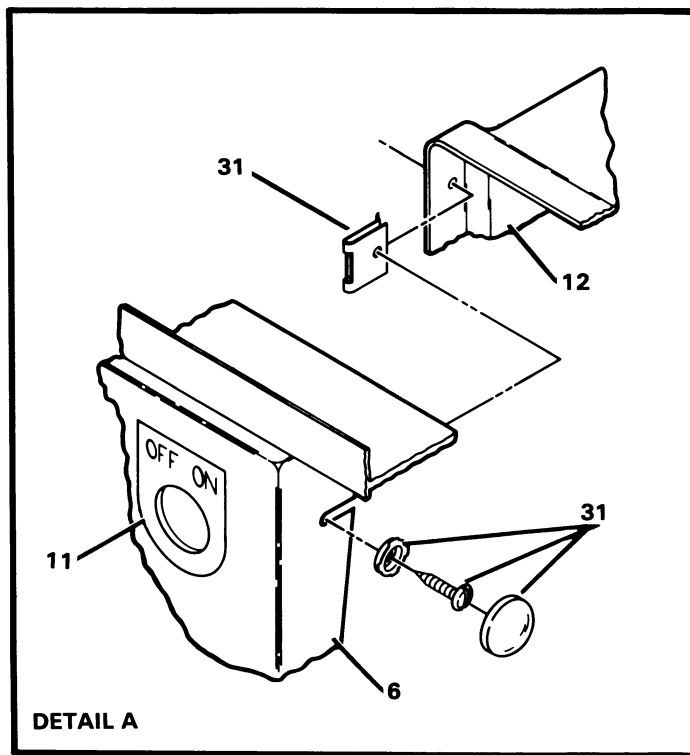
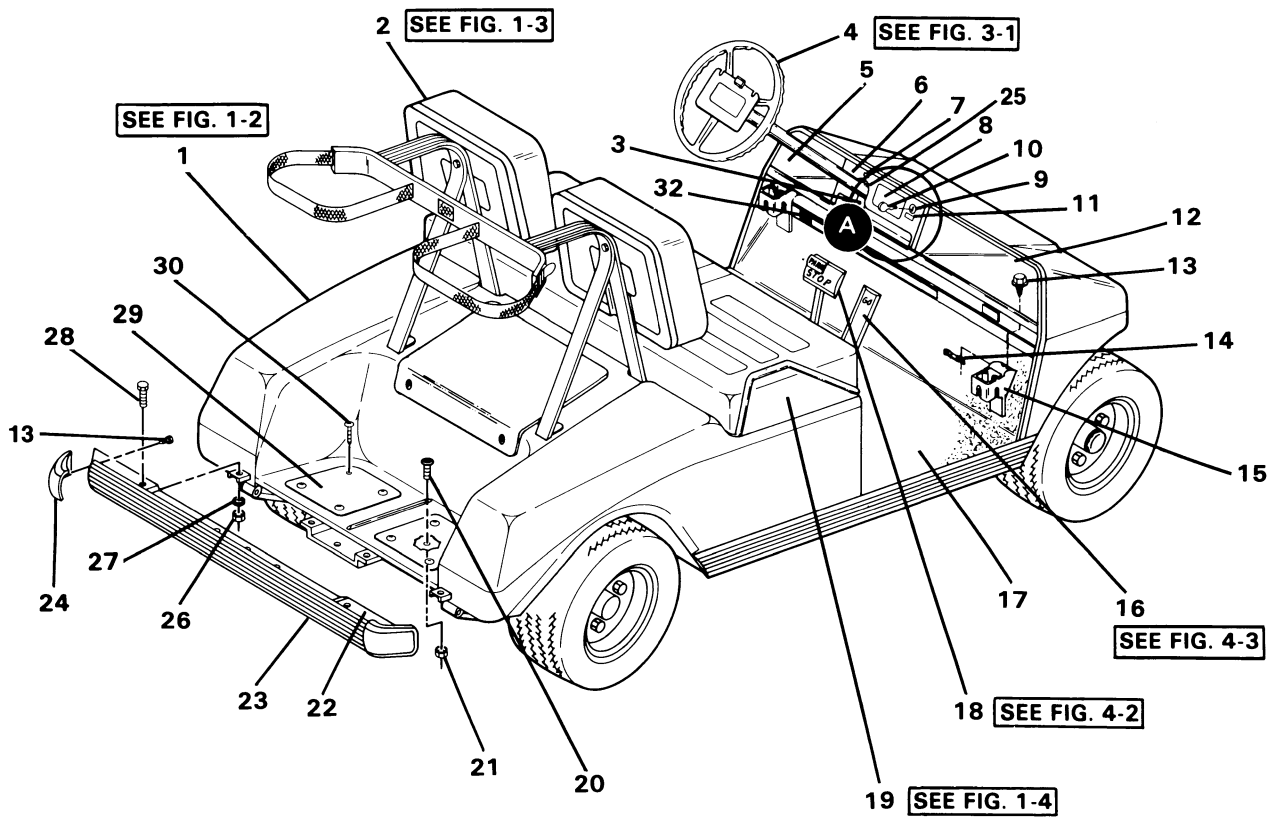


FIGURE 1-1. FINAL ASSEMBLY, GAS CAR. SHEET 1 OF 2. SEE LIST 1-1.

FINAL ASSEMBLY, GAS CAR

| FIGURE- ITEM NUMBER | PART NUMBER | UNITS PER ASM | DESCRIPTION | | | |
|---------------------------|----------------|---------------------|---|---|---|---|
| | | | 1 | 2 | 3 | 4 |
| 1 - | NO # | 1 | FINAL ASSEMBLY, GAS CAR FOR ILLUSTRATION, SEE FIGURE 1-1 | | | |
| - 1 | NO # | 1 | BODY ASSEMBLY, COVERS, FRONT AND REAR FOR DETAIL BREAKDOWN, SEE FIGURE 1-2 | | | |
| - 2 | NO # | 1 | SEAT BACK AND BAG HOOP ASSEMBLY FOR DETAIL BREAKDOWN, SEE FIGURE 1-3 | | | |
| - 3 | 1012499 | 1 | STEERING COLUMN BOOT | | | |
| - 4 | NO # | 1 | STEERING ASSEMBLY FOR DETAIL BREAKDOWN, SEE FIGURE 3-1 | | | |
| - 5 | 1013980 | 1 | DASH COMPONENT, LEFT (TAN) | | | |
| - 5 | 1013344 | 1 | DASH COMPONENT, LEFT (BLACK) | | | |
| - 6 | 1013977 | 1 | CENTER DASH PANEL WITH OIL LIGHT OPENING (TAN) | | | |
| - 6 | 1013340 | 1 | CENTER DASH PANEL WITH OIL LIGHT OPENING (BLACK) | | | |
| - 7 | 1016630 | 1 | OIL LIGHT | | | |
| - 8 | 1013390 | 1 | DECAL, GOLF ETIQUETTE | | | |
| - 9 | 1012415 | 1 | SWITCH, KEY INCLUDES ITEM 10 | | | |
| - 10 | 1012505 | PAIR | KEY | | | |
| - 11 | 1012530 | 1 | DECAL, ON/OFF | | | |
| - 12 | 1013979 | 1 | DASH COMPONENT, RIGHT (TAN) | | | |
| - 12 | 1013343 | 1 | DASH COMPONENT, RIGHT (BLACK) | | | |
| - 13 | 1010545 | 6 | SCREW - 1/4"-14 X 3/4" HEX WASHER HEAD | | | |
| - 14 | 1013421 | 2 | TWIN SPEED NUT 1/4-20 | | | |
| - 15 | 1013422 | 2 | CUP HOLDER INCLUDES ITEMS 13 AND 14 | | | |
| - 16 | NO # | 1 | ACCELERATOR PEDAL ASSEMBLY FOR DETAIL BREAKDOWN, SEE FIGURE 4-3 | | | |
| - 17 | 1015032 | 1 | MAT, FLOOR | | | |
| - 18 | NO # | 1 | BRAKE PEDAL AND CABLE ASSEMBLY FOR DETAIL BREAKDOWN, SEE FIGURE 4-2 | | | |
| - 19 | NO # | 1 | SEAT BOTTOM AND ARMREST ASSEMBLY FOR DETAIL BREAKDOWN, SEE FIGURE 1-4 | | | |
| - 20 | 8251 | 2 | SCREW, PHILLIPS TRUSS HEAD, 1/4-20 | | | |
| - 21 | 8233 | 2 | LOCKNUT, NYLON, 1/4-20 | | | |
| - 22 | 1013901 | 1 | REAR BUMPER ASSEMBLY INCLUDES ITEMS 23 THRU 28 | | | |
| - 23 | 1013900 | 1 | GUARD, REAR BUMPER | | | |
| - 24 | 1011086 | 2 | BUMPER END CAPS | | | |
| - 25 | 1014738 | 1 | BACK UP STRIP | | | |
| - 26 | 7473 | 4 | LOCKNUT, 5/16-28 UNC | | | |
| - 27 | 1241 | 4 | FLATWASHER, 5/16 | | | |
| - 28 | 1014826 | 4 | BOLT, CARRIAGE, 5/16-18 UNC X 1" | | | |
| - 29 | 1014392 | 2 | MAT, BAG WELL | | | |
| - 30 | 1010434 | 8 | FASTENER, PLASTIC BARREL | | | |
| - 31 | 1013986 | 2 | SNAP WASHER KIT (BROWN) | | | |
| - 31 | 1014645 | 2 | SNAP WASHER KIT (BLACK) | | | |
| - 32 | 1014883 | 1 | DASH WARNING DECAL | | | |
| - 33 | 1016335 | 2 | POP RIVET 1/4" X 3/4" (END CAP MOUNT) | | | |



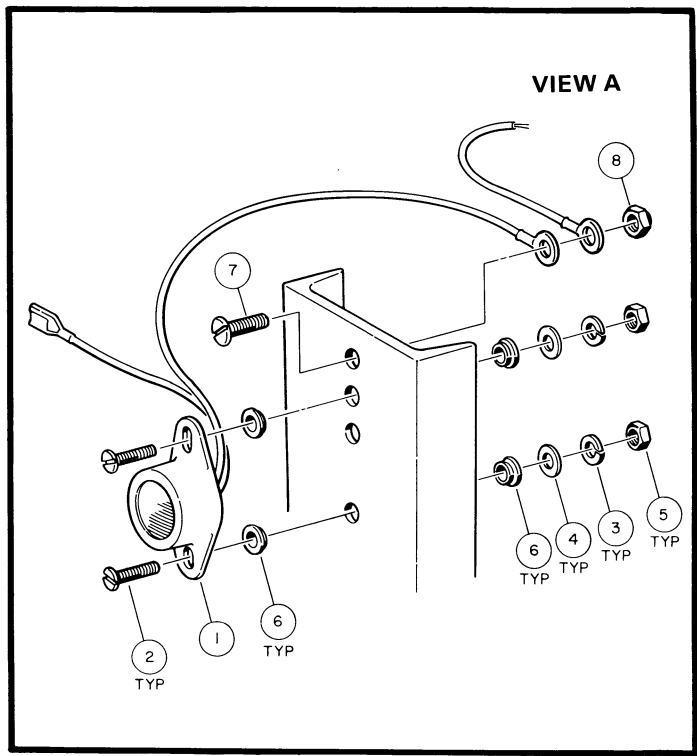
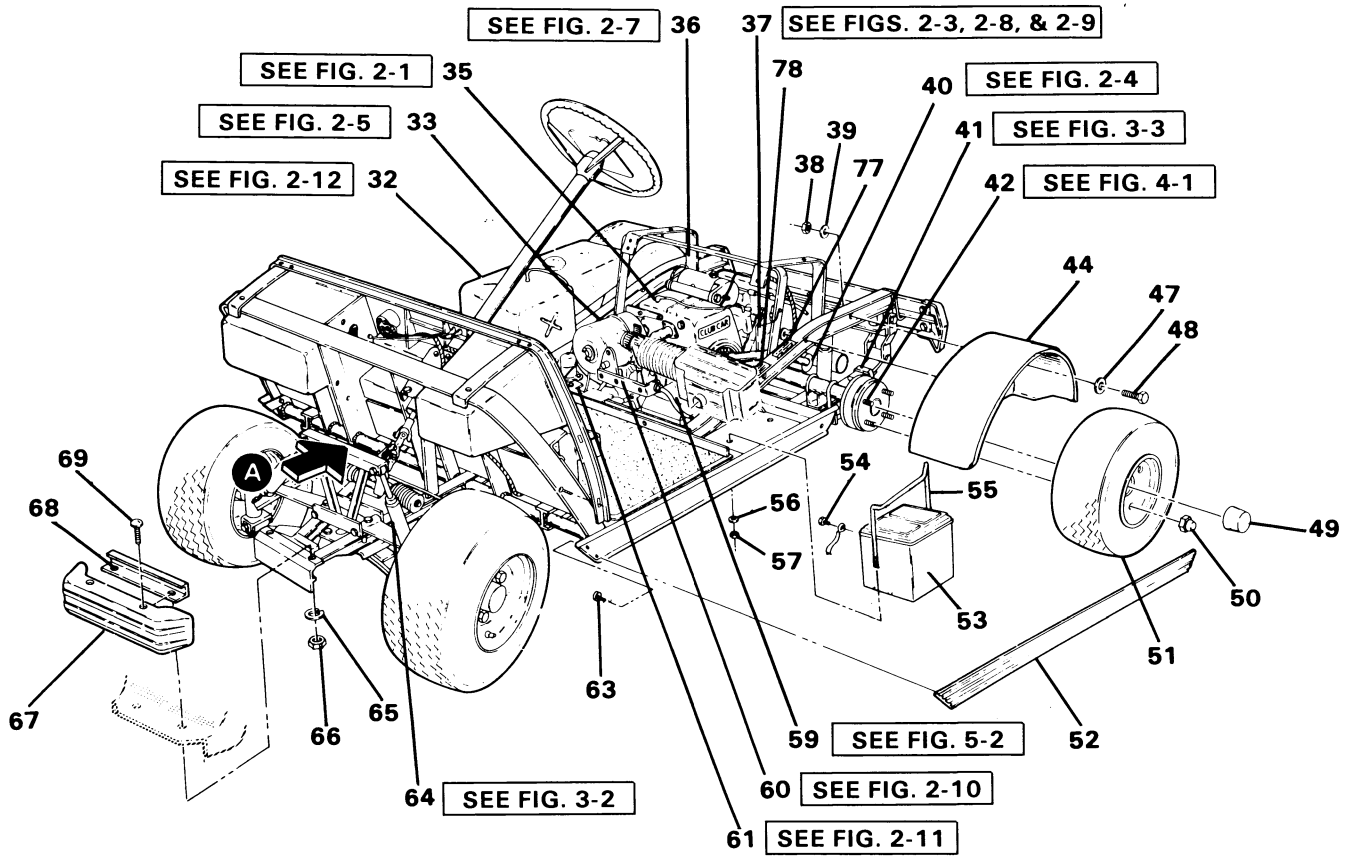


FIGURE 1-1. FINAL ASSEMBLY, GAS CAR. SHEET 2 OF 2. SEE LIST 1-1.

FINAL ASSEMBLY, GAS CAR

| FIGURE- ITEM NUMBER | PART NUMBER | UNITS PER ASM | DESCRIPTION | | | |
|---------------------------|----------------|---------------------|---|---|---|---|
| | | | 1 | 2 | 3 | 4 |
| - 32 | NO # | 1 | FUEL SYSTEM ASSEMBLY FOR DETAIL BREAKDOWN, SEE FIGURE 2-12 | | | |
| - 33 | NO # | 1 | AIR CLEANER WITH CARBURETOR AND LINKAGE FOR DETAIL BREAKDOWN, SEE FIGURE 2-5 | | | |
| - 35 | NO # | 1 | ENGINE, FINAL ASSEMBLY FOR DETAIL BREAKDOWN, SEE FIGURE 2-1 | | | |
| - 36 | NO # | 1 | GENERATOR/STARTER FOR DETAIL BREAKDOWN, SEE FIGURE 2-7 | | | |
| - 37 | NO # | 1 | TRANSMISSION, DRIVEN CLUTCH AND DRIVE UNIT FOR DETAIL BREAKDOWN, SEE FIGURES 2-3, 2-8, AND 2-9 | | | |
| - 38 | 1028 | 6 | NUT, 1/4-20 HEX | | | |
| - 39 | 451 | 6 | LOCKWASHER, 1/4" | | | |
| - 40 | NO # | 1 | MUFFLER ASSEMBLY FOR DETAIL BREAKDOWN, SEE FIGURE 2-4 | | | |
| - 41 | NO # | 1 | REAR SUSPENSION ASSEMBLY FOR DETAIL BREAKDOWN, SEE FIGURE 3-3 | | | |
| - 42 | NO # | 1 | BRAKE CLUSTER FOR DETAIL BREAKDOWN, SEE FIGURE 4-1 | | | |
| - 44 | 1013103 | 2 | FENDER, INNER | | | |
| - 47 | 332 | 6 | FLATWASHER, 1/4" | | | |
| - 48 | 304 | 6 | BOLT, 1/4-20x1" HEX | | | |
| - 49 | 1012186 | 2 | SEAL, DUST | | | |
| - 50 | 1010984 | 16 | NUT, LUG 1/2-20 | | | |
| - 51 | 1015705-01 | 4 | TIRE AND WHEEL ASSEMBLY, BEIGE (STANDARD RIB) | | | |
| - 51 | 1015705-02 | 4 | TIRE AND WHEEL ASSEMBLY, BEIGE (POWER RIB) | | | |
| - 51 | 1015705-03 | 4 | TIRE AND WHEEL ASSEMBLY, BEIGE (TERRA TRACTION) | | | |
| - 51 | 1015705-04 | 4 | TIRE AND WHEEL ASSEMBLY, BEIGE (WHITE WALL TERRAGARD) | | | |
| - 51 | 1015705-05 | 4 | TIRE AND WHEEL ASSEMBLY, BEIGE (TERRAGARD) | | | |
| - 52 | 1013983 | 2 | BUMPER, SIDE GUARD | | | |
| - 53 | 1012328 | 1 | BATTERY, 12V | | | |
| - 54 | 1012404 | 2 | BOLT, 3/8-16x3/8" HEX | | | |
| - 55 | 1013882 | 1 | HOLD DOWN, BATTERY | | | |
| - 56 | 1011931 | 2 | FLATWASHER, 1/4" | | | |
| - 57 | 8233 | 2 | LOCKNUT, 1/4-20 NYLON | | | |
| - 59 | NO # | 1 | ELECTRICAL COMPONENT BOX ASSEMBLY FOR DETAIL BREAKDOWN, SEE FIGURE 5-2 | | | |
| - 60 | NO # | 1 | F & R SHIFTER ASSEMBLY FOR DETAIL BREAKDOWN, SEE FIGURE 2-10 | | | |
| - 61 | NO # | 1 | INNER FRAME ASSEMBLY FOR DETAIL BREAKDOWN, SEE FIGURE 2-11 | | | |
| - 63 | 1012047 | 8 | SCREW, #8-32 SELF TAPPING | | | |
| - 64 | NO # | 1 | FRONT SUSPENSION ASSEMBLY FOR DETAIL BREAKDOWN, SEE FIGURE 3-2 | | | |
| - 65 | 7174 | 2 | LOCKWASHER, 5/16" | | | |
| - 66 | 1242 | 2 | NUT, 5/16-18 HEX | | | |
| - 67 | 1011977 | 1 | BUMPER | | | |
| - 68 | 1012204 | 1 | BUMPER PLATE | | | |
| - 69 | 1010435 | 2 | CARRIAGE BOLT, 5/16" | | | |
| - 70 | 8056 | 2 | SCREW, #4-40 X 3/4" ROUND HEAD MACHINE SCREW | | | |
| - 71 | 1015558 | 1 | BUZZER, 12V REVERSE | | | |
| - 72 | 8058 | 4 | LOCKWASHER, #4 HELICAL SPRING | | | |
| - 73 | 8057 | 2 | NUT, #4-40 HEX NUT | | | |
| - 76 | 1012431 | 4 | FLATWASHER, #4 | | | |
| - 77 | 1013394 | 1 | FRAME GROUND WARNING DECAL | | | |
| - 78 | 1013417 | 1 | BATTERY DANGER LABEL | | | |
| - 79 | 1015707 | 1 | WHEEL RIM (BEIGE) - SERVICE PARTS | | | |
| - 80 | 1014771 | 1 | WHEEL RIM (WHITE) - SERVICE PARTS | | | |
| - 81 | 1016141 | 4 | #4 NYLON SHOULDER WASHER | | | |
| - 82 | 1015720 | 1 | #6-32 X 1/2" PAN HEAD MACHINE SCREW | | | |
| - 83 | 1011229 | 1 | #6-32 "K" LOCKNUT | | | |



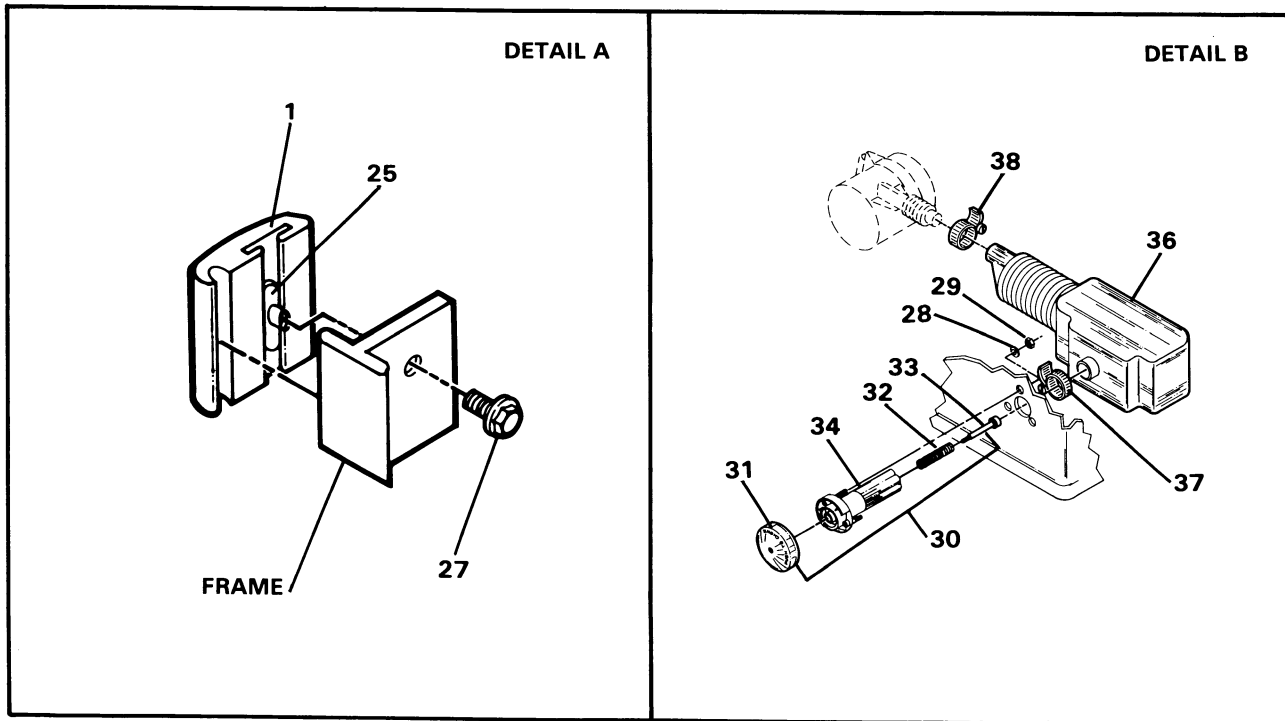
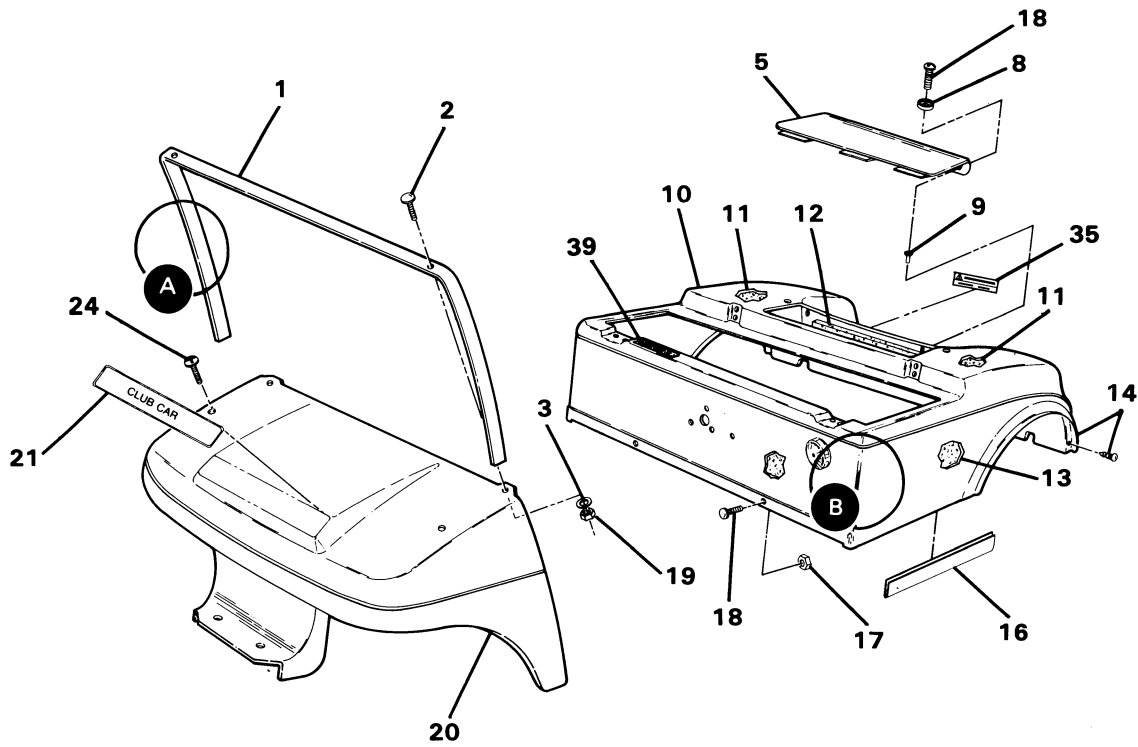


FIGURE 1-2. BODY ASSEMBLY, COVERS - FRONT AND REAR. SEE LIST 1-2.

BODY ASSEMBLY, COVERS — FRONT AND REAR

| FIGURE- ITEM NUMBER | PART NUMBER | UNITS PER ASM | DESCRIPTION | | | |
|---------------------------|----------------|---------------------|--|---|---|---|
| | | | 1 | 2 | 3 | 4 |
| 2 - | NO # | 1 | BODY ASSEMBLY, COVERS — FRONT AND REAR FOR ILLUSTRATION, SEE FIGURE 1-2 | | | |
| - 1 | 1011014 | 1 | COWL TRIM | | | |
| - 2 | 1010435 | 2 | CARRIAGE BOLT, 5/16-18 UNC-2A | | | |
| - 3 | 1241 | 2 | 5/16 FLATWASHER | | | |
| - 5 | 1013140 | 1 | ACCESS PANEL | | | |
| - 5 | 1013032 | 1 | ACCESS PANEL (BLACK) | | | |
| - 8 | 1012581 | 2 | NYLON CUP WASHER | | | |
| - 9 | 1015525 | 2 | 1/4-20 BLIND NUT | | | |
| - 10 | 1012782-01 | 1 | BODY ASSEMBLY (BEIGE) INCLUDES ITEMS 11, 12, AND 13 | | | |
| - 10 | 1012782-02 | 1 | BODY ASSEMBLY (WHITE) INCLUDES ITEMS 11, 12, AND 13 | | | |
| - 10 | 1012782-03 | 1 | BODY ASSEMBLY (NON STANDARD) INCLUDES ITEMS 11, 12, AND 13 | | | |
| - 10 | 1012782-04 | 1 | BODY ASSEMBLY (GRAY) INCLUDES ITEMS 11, 12, AND 13 | | | |
| - 10 | 1013054-01 | 1 | BODY ASSEMBLY WITH TAILLIGHT OPENING (BEIGE) INCLUDES ITEMS 11, 12, AND 13 | | | |
| - 10 | 1013054-02 | 1 | BODY ASSEMBLY WITH TAILLIGHT OPENING (WHITE) INCLUDES ITEMS 11, 12, AND 13 | | | |
| - 10 | 1013054-03 | 1 | BODY ASSEMBLY WITH TAILLIGHT OPENING (NON STANDARD) INCLUDES ITEMS 11, 12, AND 13 | | | |
| - 10 | 1013054-04 | 1 | BODY ASSEMBLY WITH TAILLIGHT OPENING (GRAY) INCLUDES ITEMS 11, 12, AND 13 | | | |
| - 11 | 1015420 | 2 | SOUND INSULATION | | | |
| - 12 | 1015423 | 1 | SOUND INSULATION | | | |
| - 13 | 1015419 | 1 | SOUND INSULATION | | | |
| - 14 | 1013350 | 1 | FENDER TRIM KIT, BEIGE | | | |
| - 14 | 1013351 | 1 | FENDER TRIM KIT, BLACK | | | |
| - 16 | 1011306 | 2 | VINYL TRIM | | | |
| - 17 | 8233 | 2 | LOCKNUT, 1/4-20 NYLON | | | |
| - 18 | 8251 | 4 | SCREW, 1/4-20 x 1.00 PHILLIPS HEAD | | | |
| - 19 | 7473 | 2 | LOCKNUT, 5/16-18 UNC-2B | | | |
| - 20 | 1015123-01 | 1 | COWL (BEIGE) | | | |
| - 20 | 1015123-02 | 1 | COWL (WHITE) | | | |
| - 20 | 1015123-03 | 1 | COWL (NON STANDARD) | | | |
| - 20 | 1015123-04 | 1 | COWL (GRAY) | | | |
| - 20 | 1016225-01 | 1 | COWL WITH HEADLIGHT OPENING (BEIGE) | | | |
| - 20 | 1016225-02 | 1 | COWL WITH HEADLIGHT OPENING (WHITE) | | | |
| - 20 | 1016225-03 | 1 | COWL WITH HEADLIGHT OPENING (NON STANDARD) | | | |
| - 20 | 1016225-04 | 1 | COWL WITH HEADLIGHT OPENING (GRAY) | | | |
| - 21 | 1014198 | 1 | NAME PLATE KIT | | | |
| - 24 | 7251 | 2 | SCREW, 5/16-18 X 1.00 PHILLIPS HEAD TRUSS | | | |
| - 25 | 1011394 | 1 | SLAB BASE "T" NUT PACKAGE (4 PIECES) | | | |
| - 27 | 1011017 | 6 | FLANGE LOCK SCREW | | | |
| - 28 | 183 | 3 | FLATWASHER, #10 PLAIN | | | |
| - 29 | 1013061 | 3 | LOCKNUT, #10-32 NYLON | | | |
| - 30 | 1012638 | 1 | CHOKE ASSEMBLY INCLUDES ITEMS 31, 32, 33, AND 34 | | | |
| - 31 | 1012629 | 1 | CHOKE COVER | | | |
| - 32 | 1012633 | 1 | CHOKE COMPRESSION SPRING | | | |
| - 33 | 1012634 | 1 | CHOKE SHOULDER SCREW | | | |
| - 34 | 1012630 | 1 | CHOKE BASE | | | |
| - 35 | 1013392 | 1 | WARNING: MOVING PARTS DECAL | | | |
| - 36 | 1013733 | 1 | AIR INTAKE EXPANSION CHAMBER | | | |
| - 37 | 1012349 | 1 | HOSE CLAMP, 2-3/4" | | | |
| - 38 | 1012348 | 1 | AIR INTAKE HOSE CLAMP, 2" | | | |
| - 39 | 1013395 | 1 | GASOLINE TANK DANGER LABEL | | | |



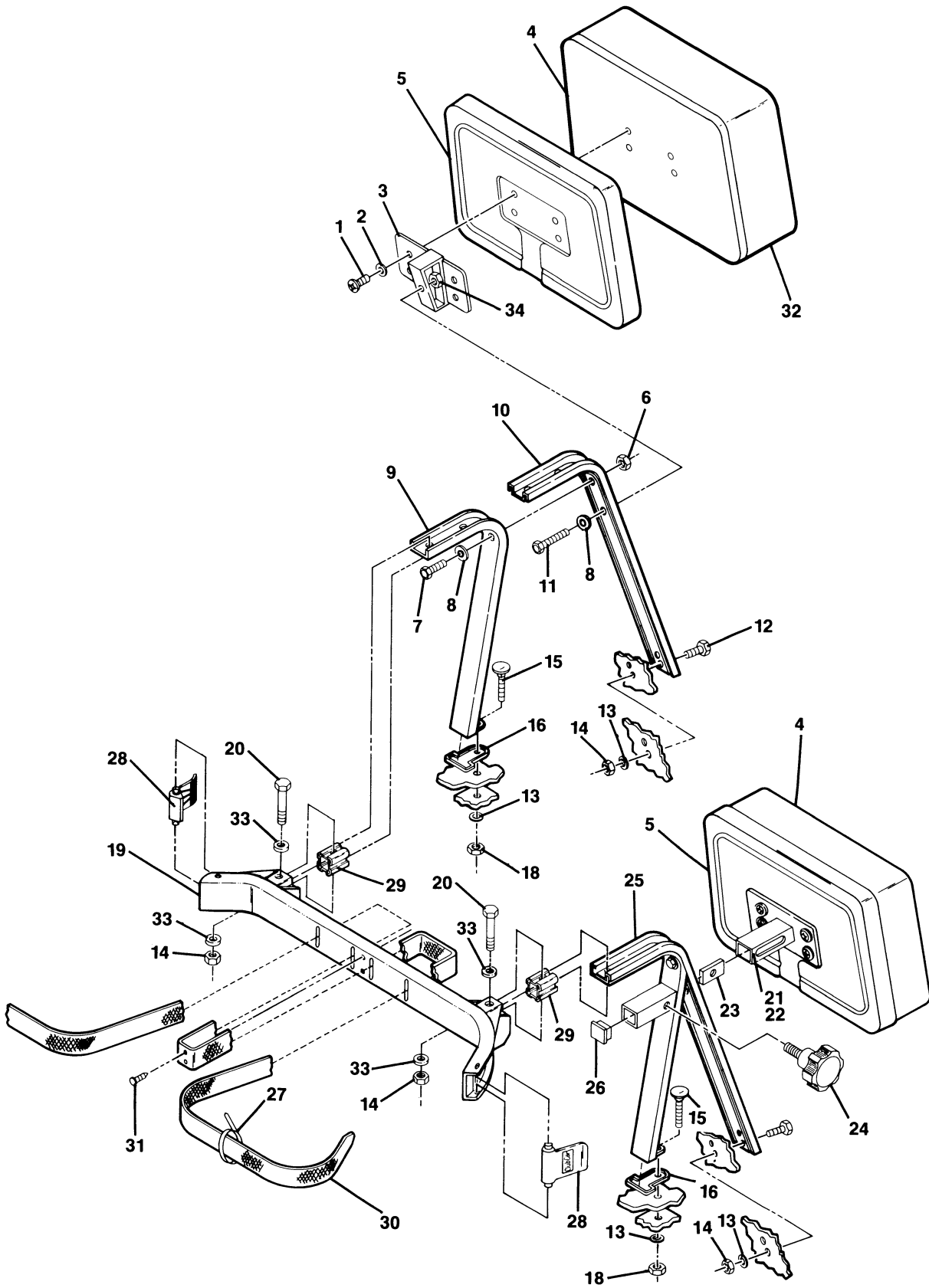


FIGURE 1-3. SEAT BACK AND BAG HOOP ASSEMBLY. SEE LIST 1-3.

SEAT BACK AND BAG HOOP ASSEMBLY

| FIGURE- ITEM NUMBER | PART NUMBER | UNITS PER ASM | DESCRIPTION | | | |
|---------------------------|----------------|---------------------|--|---|---|---|
| | | | 1 | 2 | 3 | 4 |
| 3 - | NO # | 1 | BAG HOOP AND SEAT BACK ASSEMBLY FOR ILLUSTRATION, SEE FIGURE 1-3 | | | |
| - 1 | 8248 | 8 | SCREW, 1/4-20 x 3/4" | | | |
| - 2 | 8304 | 8 | LOCKWASHER, 1/4" INTERNAL TOOTH | | | |
| - 3 | 1011716 | 2 | PLATE MOUNTING ASSEMBLY | | | |
| - 4 | 1015651-01 | 2 | SEAT BACK ASSEMBLY — THICK BUNN (BUFF WITH TAN CAP) INCLUDES ITEM 5 | | | |
| - 4 | 1015651-02 | 2 | SEAT BACK ASSEMBLY — THICK BUNN (WHITE WITH BLACK CAP) INCLUDES ITEM 5 | | | |
| - 4 | 1015651-03 | 2 | SEAT BACK ASSEMBLY — THICK BUNN (NON-STANDARD WITH BLACK CAP) INCLUDES ITEM 5 | | | |
| - 4 | 1015651-04 | 2 | SEAT BACK ASSEMBLY — THICK BUNN (WHITE WITH BEIGE CAP) INCLUDES ITEM 5 | | | |
| - 5 | 1011231 | 2 | CAP, SEAT BACK (BEIGE) | | | |
| - 5 | 1013938 | 2 | CAP, SEAT BACK (TAN) | | | |
| - 5 | 1013335 | 2 | CAP, SEAT BACK (BLACK) | | | |
| - 6 | 8233 | 2 | LOCKNUT, 1/4-20 NYLON | | | |
| - 7 | 7847 | 2 | BOLT, HEX HEAD, 1/4-20 x 3/4" | | | |
| - 8 | 332 | 6 | FLATWASHER, 1/4" | | | |
| - 9 | 1011710 | 2 | KNEE BRACE WELD ASSEMBLY | | | |
| - 10 | 1011708 | 2 | MAIN SEAT BACK SUPPORT | | | |
| - 11 | 1015521 | 2 | BOLT, HEX HEAD, 1/4-20 x 7/8" | | | |
| - 12 | 1218 | 4 | BOLT, HEX HEAD, 5/16-18 x 1-1/4" | | | |
| - 13 | 1241 | 6 | FLATWASHER, 5/16" | | | |
| - 14 | 7473 | 8 | LOCKNUT, 5/16-18 NYLON | | | |
| - 15 | 7818 | 2 | BOLT, 5/16-18 x 1-1/2" CARRIAGE | | | |
| - 16 | 1011706 | 2 | MOUNTING PAD | | | |
| - 18 | 1242 | 2 | NUT, HEX, 5/16-18 | | | |
| - 19 | 1013935 | 1 | BAG HOOP ASSEMBLY INCLUDES ITEMS 28, 30 AND 31 | | | |
| - 20 | 8935 | 2 | BOLT, HEX HEAD, 5/16-18 x 2-1/4" | | | |
| - 21 | 1011794 | A/R | ADJUSTABLE SEAT BACK KIT (OPTION) INCLUDES ITEMS 22-26 | | | |
| - 22 | 1011752 | 2 | MOUNTING PLATE WELD ASSEMBLY | | | |
| - 23 | 1010322 | 2 | SEAT ADJUSTER LOCK | | | |
| - 24 | 1011761 | 2 | SEAT ADJUSTER KNOB | | | |
| - 25 | NO # | 2 | ADJUSTABLE SEAT BACK WELD ASSEMBLY (SEE ITEM 21) | | | |
| - 26 | 1011760 | 2 | TUBE PLUG | | | |
| - 27 | 8639 | 1 | TIE WRAP | | | |
| - 28 | 1013754 | 2 | BUCKLE | | | |
| - 29 | 1013884 | 2 | SPACER, BAG HOOP | | | |
| - 30 | 1010413 | 1 | BELT STRAP ASSEMBLY | | | |
| - 31 | 1010434 | 2 | PLASTIC BARRELS (BLACK) | | | |
| - 32 | 1015626-01 | A/R | VINYL COVER - SEAT BACK (BUFF) | | | |
| - 32 | 1015626-02 | A/R | VINYL COVER - SEAT BACK (WHITE) | | | |
| - 32 | 1015626-03 | A/R | VINYL COVER - SEAT BACK (NON-STANDARD) | | | |
| - 33 | 1011697 | 4 | FLATWASHER, 5/16" | | | |
| - 34 | 1015661 | 2 | 1/4-20 FLANGE LOCKNUTS | | | |



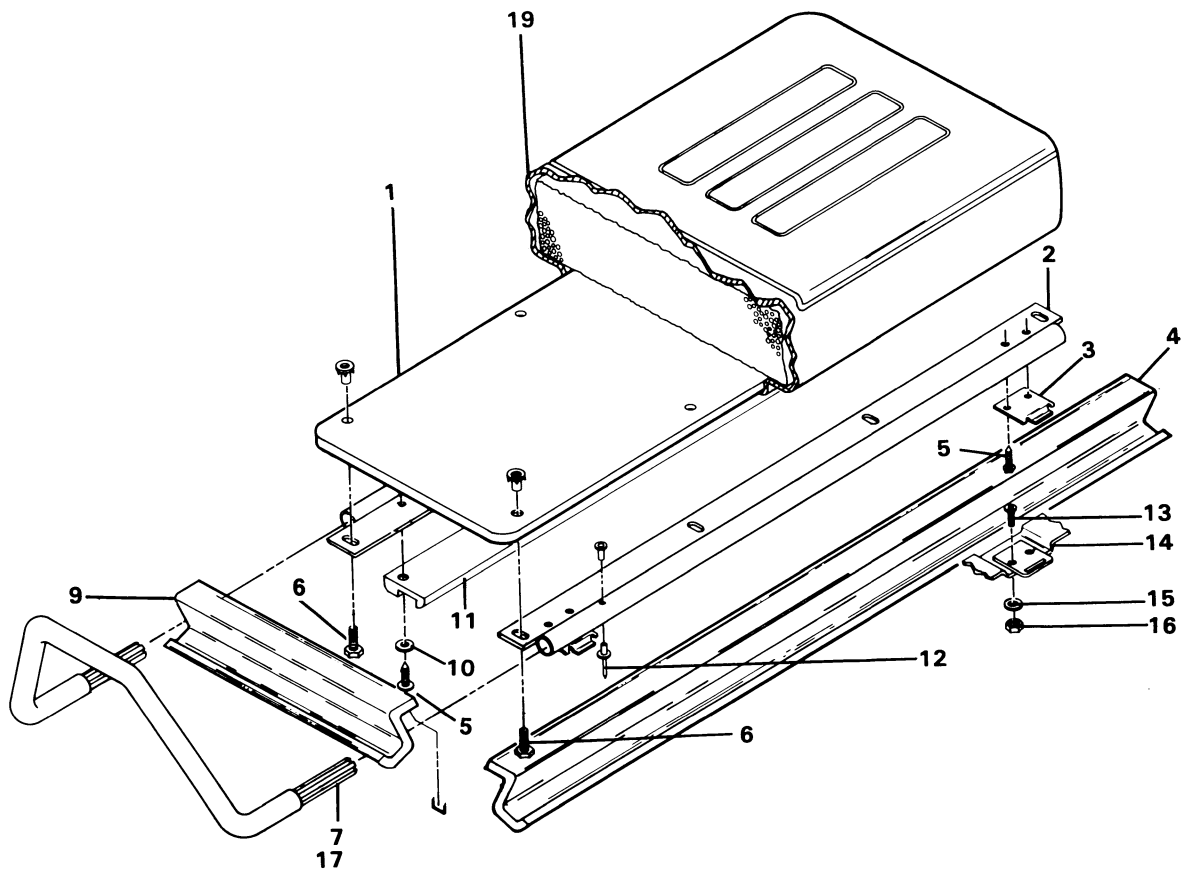


FIGURE 1-4. SEAT BOTTOM AND ARMREST ASSEMBLY. SEE LIST 1-4.

SEAT BOTTOM AND ARMREST ASSEMBLY

| FIGURE- ITEM NUMBER | PART NUMBER | UNITS PER ASM | DESCRIPTION | | | |
|---------------------------|----------------|---------------------|--|---|---|---|
| | | | 1 | 2 | 3 | 4 |
| 4 - | NO # | 1 | SEAT BOTTOM AND ARMREST ASSEMBLY FOR ILLUSTRATION, SEE FIGURE 1-4 | | | |
| - 1 | 1015648-04 | 1 | SEAT BOTTOM ASSEMBLY (BUFF) | | | |
| - 1 | 1015648-05 | 1 | SEAT BOTTOM ASSEMBLY (WHITE) | | | |
| - 1 | 1015648-06 | 1 | SEAT BOTTOM ASSEMBLY (NON STANDARD) | | | |
| - 2 | 1015625 | 2 | BRACKET, SEAT SUPPORT | | | |
| - 3 | 1011652 | 2 | PLATE, SEAT HINGE | | | |
| - 4 | 1012657 | 1 | GASKET, SEAT (LONG) | | | |
| - 5 | 1011451 | 9 | SCREW, #12 TYPE AB | | | |
| - 6 | 304 | 8 | BOLT, 1/4-20 HEX | | | |
| - 7 | 1011786 | 1 | LEFT ARMREST ASSEMBLY | | | |
| - 9 | 1012656 | 2 | GASKET, SEAT (SHORT) | | | |
| - 10 | 183 | 5 | WASHER, #10 FLAT | | | |
| - 11 | 1012597 | 1 | BUMPER, SEAT | | | |
| - 12 | 1012327 | 4 | RIVET, 3/16 MATING | | | |
| - 13 | 8251 | 4 | SCREW, 1/4-20 PHILLIPS HEAD | | | |
| - 14 | 1012412 | 2 | PLATE, BODY HINGE | | | |
| - 15 | 332 | 4 | WASHER, 1/4 FLAT | | | |
| - 16 | 8233 | 4 | NUT, 1/4-20 NYLON LOCK | | | |
| - 17 | 1011780 | 1 | RIGHT ARMREST ASSEMBLY | | | |
| - 19 | 1015627-01 | A/R | VINYL COVER - SEAT BOTTOM (BUFF) | | | |
| - 19 | 1015627-02 | A/R | VINYL COVER - SEAT BOTTOM (WHITE) | | | |
| - 19 | 1015627-03 | A/R | VINYL COVER - SEAT BOTTOM (NON STANDARD) | | | |
| - 20 | 1015670 | 1 | ARMREST SEAT BOTTOM ASSEMBLY KIT INCLUDES ITEMS 2, 12, 7 AND 17 | | | |





Section II

POWER TRAIN GROUP

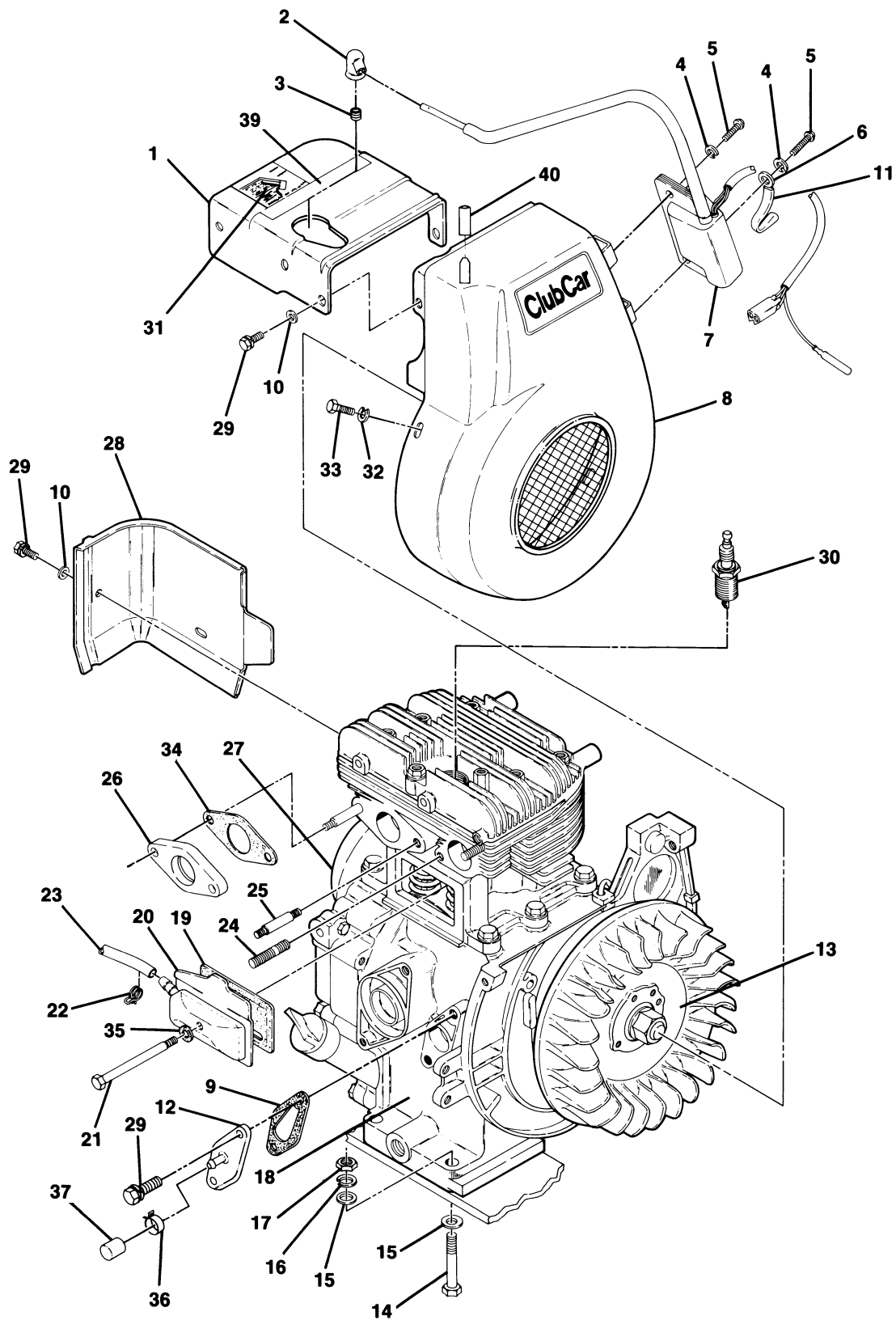


FIGURE 2-1. FINAL ASSEMBLY, ENGINE. SEE LIST 2-1.

FINAL ASSEMBLY, ENGINE

| FIGURE- ITEM NUMBER | PART NUMBER | UNITS PER ASM | DESCRIPTION | | | |
|---------------------------|----------------|---------------------|--|---|---|---|
| | | | 1 | 2 | 3 | 4 |
| 1 - | 1013747 | 1 | FINAL ASSEMBLY, ENGINE/WITH CARBURETOR FOR ILLUSTRATION, SEE FIGURE 2-1 | | | |
| - 1 | 1013954 | 1 | SHROUD | | | |
| - 2 | 1012845 | 1 | CAP, PLUG | | | |
| - 3 | 1012844 | 1 | SPRING | | | |
| - 4 | 451 | 6 | LOCKWASHER, 1/4 | | | |
| - 5 | 1015930 | 1 | M6 X 25MM PAN HEAD SCREW | | | |
| - 6 | 1012843 | 1 | CLAMP | | | |
| - 7 | 1015925 | 1 | IGNITION COIL | | | |
| - 8 | 1014533 | 1 | HOUSING FAN | | | |
| - 9 | 1013952 | 1 | GASKET | | | |
| - 10 | 332 | 5 | FLATWASHER, 1/4 | | | |
| - 11 | 1012945 | 1 | TUBE, WIRE CLAMP | | | |
| - 12 | 1013953 | 1 | COVER, PUMP | | | |
| - 13 | 1012866 | 1 | FLYWHEEL | | | |
| - 14 | 8861 | 4 | BOLT, 3/8-16 X 1-3/4 | | | |
| - 15 | 1011990 | 8 | FLATWASHER, 3/8 | | | |
| - 16 | 357 | 4 | LOCKWASHER, 3/8 | | | |
| - 17 | 706 | 4 | NUT, HEX, 3/8-16 | | | |
| - 18 | 1013988 | 1 | CRANKCASE ASSEMBLY KIT INCLUDES ITEMS 9, 12, 18, 29, 36, 37 | | | |
| - 19 | 1012846 | 1 | GASKET | | | |
| - 20 | 1012847 | 1 | COVER, INSPECTION | | | |
| - 21 | 1012853 | 1 | BOLT, 6 X 70 | | | |
| - 22 | 1012849 | 1 | CLIP | | | |
| - 23 | 1012848 | 1 | TUBE, RUBBER | | | |
| - 24 | 1012889 | 2 | STUD, 8 X 33 | | | |
| - 25 | 1012890 | 2 | STUD, 6 X 38 | | | |
| - 26 | 1012887 | 1 | INSULATOR | | | |
| - 27 | NO # | 1 | DRIVE CLUTCH FOR DETAIL BREAKDOWN, SEE FIGURE 2-2 | | | |
| - 28 | 1012841 | 1 | COVER, CYLINDER | | | |
| - 29 | 1012529 | 7 | BOLT WITH LOCKWASHER, 6 X 12 | | | |
| - 30 | 1012522 | 1 | PLUG, SPARK | | | |
| - 31 | 1012577 | 1 | DECAL, ENGINE OIL | | | |
| - 32 | 7174 | 4 | LOCKWASHER, 5/16 | | | |
| - 33 | 1012891 | 4 | BOLT, 8 X 16 | | | |
| - 34 | 1012509 | 1 | GASKET | | | |
| - 35 | 1012852 | 1 | GASKET | | | |
| - 36 | 1013746 | 1 | CLAMP HOSE | | | |
| - 37 | 1013818 | 1 | SLEEVE CAP | | | |
| - 38 | 1012537 | 1 | ENGINE DECAL | | | |
| - 39 | 1012577 | 1 | DECAL, ENGINE OIL | | | |
| - 40 | 1014532 | 1 | TUBE, CLAMP | | | |
| - 41 | 1015929 | 1 | M6 X 20MM PAN HEAD SCREW (NOT SHOWN) | | | |
| - 42 | 1015923 | 1 | IGNITION RPM LIMITER (NOT SHOWN) | | | |
| - 43 | 1015933 | 1 | RPM LIMITER IGNITION KIT (NOT SHOWN) INCLUDES ITEMS 5, 7, 41 AND 42 | | | |



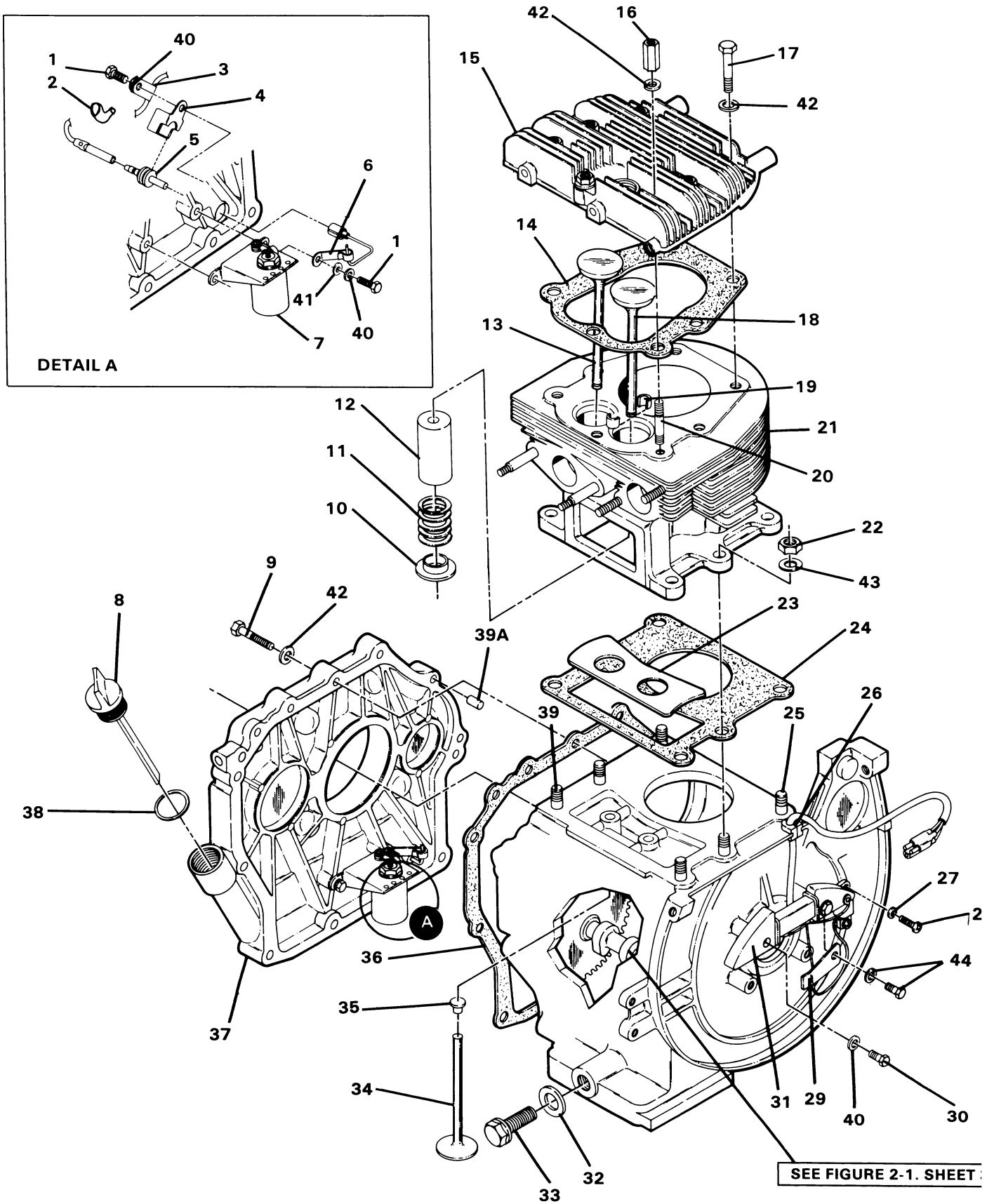


FIGURE 2-1. FINAL ASSEMBLY, ENGINE. SEE LIST 2-1.

FINAL ASSEMBLY, ENGINE

| FIGURE- ITEM NUMBER | PART NUMBER | UNITS PER ASM | DESCRIPTION | | | |
|---------------------------|----------------|---------------------|---|---|---|---|
| | | | 1 | 2 | 3 | 4 |
| 1 - | NO # | | FINAL ASSEMBLY, ENGINE FOR ILLUSTRATION, SEE FIGURE 2-1. | | | |
| - 1 | 1012909 | 3 | BOLT, 6 X 14 | | | |
| - 2 | 1012945 | 2 | TUBING | | | |
| - 3 | 1012981 | 1 | CLAMP | | | |
| - 4 | 1012939 | 1 | HOLDER | | | |
| - 5 | 1012938 | 1 | CONNECTOR, CORD | | | |
| - 6 | 1012941 | 1 | CLAMP | | | |
| - 7 | 1012984 | 1 | OIL SENDING UNIT | | | |
| - 8 | 1012523 | 1 | GAUGE, OIL | | | |
| - 9 | 1012895 | 9 | BOLT, 8 X 38 | | | |
| - 10 | 1012864 | 2 | SEAT, SPRING | | | |
| - 11 | 1012525 | 2 | SPRING, VALVE | | | |
| - 12 | 1012983 | 1 | GUIDE, EXHAUST VALVE | | | |
| - 13 | 1012513 | 1 | VALVE, INLET | | | |
| - 14 | 1012511 | 1 | GASKET, HEAD | | | |
| - 15 | 1013963 | 1 | HEAD, CYLINDER | | | |
| - 16 | 1012857 | 1 | NUT, LONG | | | |
| - 17 | 1012899 | 6 | BOLT, 8 X 45 | | | |
| - 18 | 1012514 | 1 | VALVE, EXHAUST | | | |
| - 19 | 1012863 | 2 | COLLET, VALVE | | | |
| - 20 | 1012926 | 1 | STUD | | | |
| - 21 | 1012512 | 1 | CYLINDER ASSEMBLY | | | |
| - 22 | 1012708 | 6 | NUT, 10MM | | | |
| - 23 | 1012858 | 1 | PLATE, BREATHER | | | |
| - 24 | 1012518 | 1 | GASKET, CYLINDER | | | |
| - 25 | 1012985 | 5 | STUD | | | |
| - 26 | 1012854 | 1 | GROMMET | | | |
| - 27 | 1012986 | 2 | LOCKWASHER, M4 | | | |
| - 28 | 1012898 | 2 | SCREW, 4 X 14 | | | |
| - 29 | 1012855 | 1 | CLAMP | | | |
| - 30 | 1012897 | 1 | BOLT, 6 X 30 | | | |
| - 31 | 1012521 | 1 | COIL EXCITING | | | |
| - 32 | 1012861 | 1 | GASKET | | | |
| - 33 | 1012860 | 1 | PLUG, MAIN DRAIN | | | |
| - 34 | 1012865 | 2 | TAPPET | | | |
| - 35 | 1012947 | A/R | CAP, TAPPET t = 2.7MM | | | |
| - 35 | 1012948 | A/R | CAP, TAPPET t = 2.9MM | | | |
| - 35 | 1012949 | A/R | CAP, TAPPET t = 3.15MM | | | |
| - 35 | 1012950 | A/R | CAP, TAPPET t = 3.4MM | | | |
| - 35 | 1012951 | A/R | CAP, TAPPET t = 3.65MM | | | |
| - 36 | 1012519 | 1 | GASKET | | | |
| - 37 | 1012894 | 1 | SIDE BASE | | | |
| - 38 | 1012862 | 1 | O-RING | | | |
| - 39 | 1012927 | 1 | STUD | | | |
| - 39A | 1012896 | 2 | PIN, DOWEL | | | |
| - 40 | 451 | 6 | LOCKWASHER, 1/4 | | | |
| - 41 | 332 | 2 | FLATWASHER, 1/4 | | | |
| - 42 | 1241 | 9 | FLATWASHER, 5/16 | | | |
| - 43 | 1011990 | 6 | FLATWASHER, 3/8 | | | |
| - 44 | 1012529 | 1 | BOLT WITH LOCKWASHER, 6 X 12 | | | |



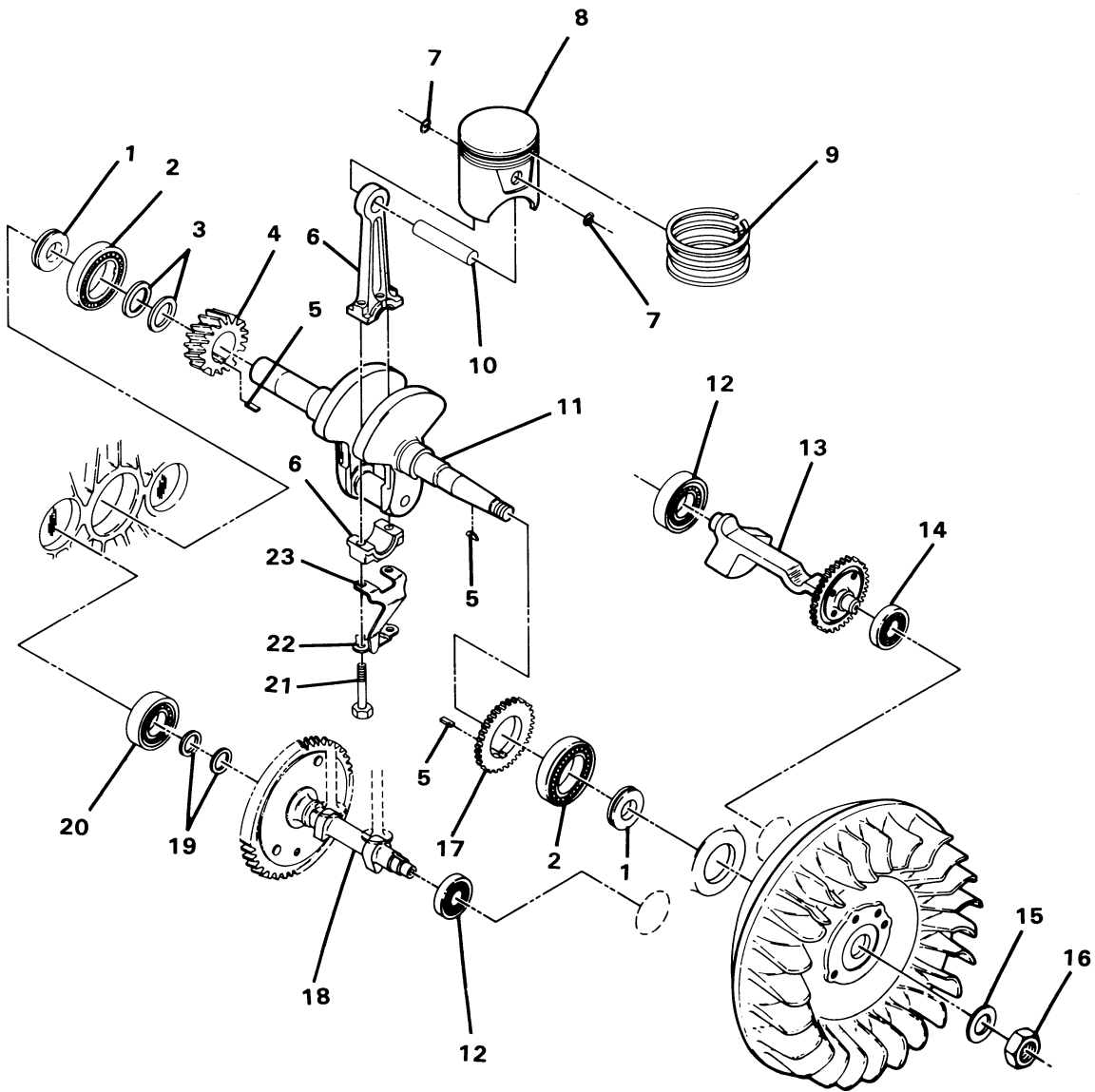


FIGURE 2-1. FINAL ASSEMBLY, ENGINE. SEE LIST 2-1.

FINAL ASSEMBLY, ENGINE

| FIGURE- ITEM NUMBER | PART NUMBER | UNITS PER ASM | DESCRIPTION | | | |
|---------------------------|----------------|---------------------|---|---|---|---|
| | | | 1 | 2 | 3 | 4 |
| 1 - | NO # | | FINAL ASSEMBLY, ENGINE FOR ILLUSTRATION, SEE FIGURE 2-1. | | | |
| - 1 | 1012524 | 2 | SEAL, OIL | | | |
| - 2 | 1012867 | 2 | BEARING, BALL, 6306 | | | |
| - 3 | 1012873 | A/R | SHIM, t = 1.05MM | | | |
| - 3 | 1012954 | A/R | SHIM, t = 1.40MM | | | |
| - 3 | 1012955 | A/R | SHIM, t = 1.70MM | | | |
| - 4 | 1012872 | 1 | GEAR, CRANK | | | |
| - 5 | 1012871 | 3 | KEY | | | |
| - 6 | 1012517 | 1 | CONNECTING ROD ASSEMBLY | | | |
| - 7 | 1012878 | 2 | RING, SNAP | | | |
| - 8 | 1012515 | 1 | PISTON, STANDARD | | | |
| - 8 | 1012958 | A/R | PISTON, .25MM OVERSIZE | | | |
| - 8 | 1012959 | A/R | PISTON, .50MM OVERSIZE | | | |
| - 9 | 1012516 | 1 | PISTON RING SET, STANDARD | | | |
| - 9 | 1012960 | A/R | PISTON RING SET, .25MM OVERSIZE | | | |
| - 9 | 1012961 | A/R | PISTON RING SET, .50MM OVERSIZE | | | |
| - 10 | 1012879 | 1 | PIN, PISTON | | | |
| - 11 | 1013989 | 1 | CRANK SHAFT ASSEMBLY INCLUDES ITEMS 4, 5 AND 17 | | | |
| - 12 | 1012877 | 2 | BEARING, BALL, 6203 | | | |
| - 13 | 1013964 | 1 | SHAFT COMPLETE | | | |
| - 14 | 1012884 | 1 | BEARING, BALL, 6202 | | | |
| - 15 | 1012886 | 1 | WASHER, 18MM | | | |
| - 16 | 1012885 | 1 | NUT, LEFT HAND, 18MM | | | |
| - 17 | 1013990 | 1 | GEAR, HELICAL | | | |
| - 18 | 1013965 | 1 | CAM SHAFT COMPLETE | | | |
| - 19 | 1012875 | A/R | SHIM, t = 1.05MM | | | |
| - 19 | 1012952 | A/R | SHIM, t = 1.40MM | | | |
| - 19 | 1012953 | A/R | SHIM, t = 1.70MM | | | |
| - 20 | 1012874 | 1 | BEARING, BALL, 6306 | | | |
| - 21 | 1012882 | 2 | BOLT, CONNECTING ROD | | | |
| - 22 | 1012881 | 1 | LOCKWASHER | | | |
| - 23 | 1012880 | 1 | ARM, SPLASH | | | |



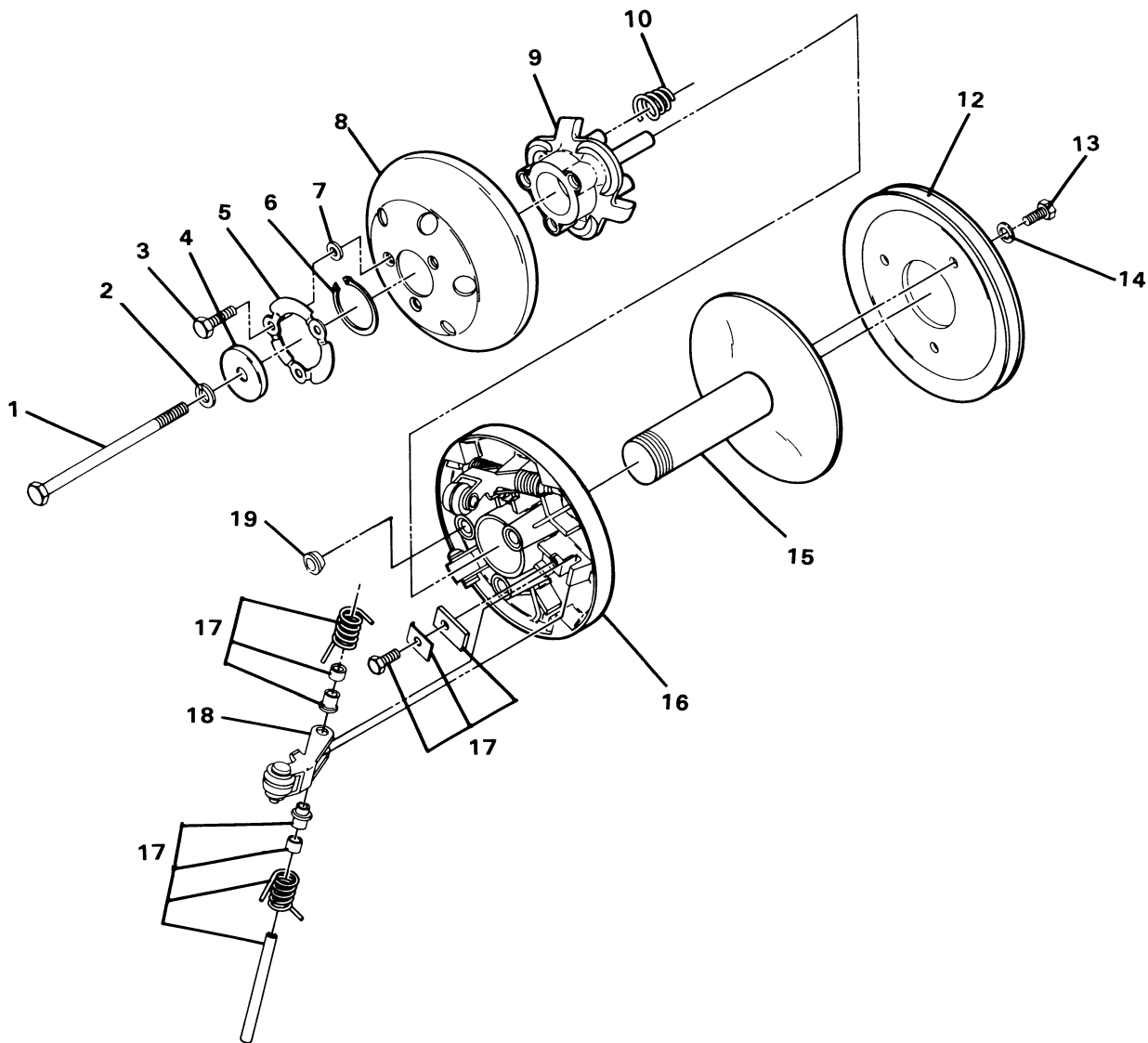


FIGURE 2-2. DRIVE CLUTCH. SEE LIST 2-2.

DRIVE CLUTCH

| FIGURE- ITEM NUMBER | PART NUMBER | UNITS PER ASM | DESCRIPTION | | | |
|---------------------------|----------------|---------------------|--|---|---|---|
| | | | 1 | 2 | 3 | 4 |
| 2 - | 1012287 | 1 | DRIVE CLUTCH FOR ILLUSTRATION, SEE FIGURE 2-2 | | | |
| - 1 | 1012441 | 1 | BOLT, HEX HEAD, 3/8-24 X 5-1/2 | | | |
| - 2 | 357 | 1 | LOCKWASHER, 3/8 | | | |
| - 3 | 7847 | 3 | BOLT, HEX HEAD, 1/4-20 X 3/4 | | | |
| - 4 | 1012814 | 1 | WASHER, RETAINING | | | |
| - 5 | 1012815 | 1 | RING, SCREW LOCK | | | |
| - 6 | 1012816 | 1 | RING, RETAINING | | | |
| - 7 | 332 | 3 | FLATWASHER, 1/4 | | | |
| - 8 | 1012818 | 1 | PLATE, RAMP | | | |
| - 9 | 1012819 | 1 | SPIDER | | | |
| - 10 | 1012820 | 3 | SPRING, CONICAL | | | |
| - 11 | 1012289 | 1 | DRIVE BELT (NOT SHOWN) | | | |
| - 12 | 1012824 | 1 | SHEAVE, V BELT | | | |
| - 13 | 1012825 | 3 | BOLT, HEX HEAD, 5/16-18 X 5/8 | | | |
| - 14 | 7174 | 3 | LOCKWASHER, 5/16 | | | |
| - 15 | 1012823 | 1 | FIXED FACE AND HUB ASSEMBLY | | | |
| - 16 | 1012826 | 1 | MOVABLE FACE ASSEMBLY | | | |
| - 17 | 1012829 | 1 | RELEASE SPRING KIT | | | |
| - 18 | 1012828 | 1 | ROLLER ARM ASSEMBLY KIT | | | |
| - 19 | 1012821 | 3 | SEAT, CONICAL SPRING | | | |
| - 20 | 1012338 | 1 | STARTER/GENERATOR BELT (NOT SHOWN) | | | |



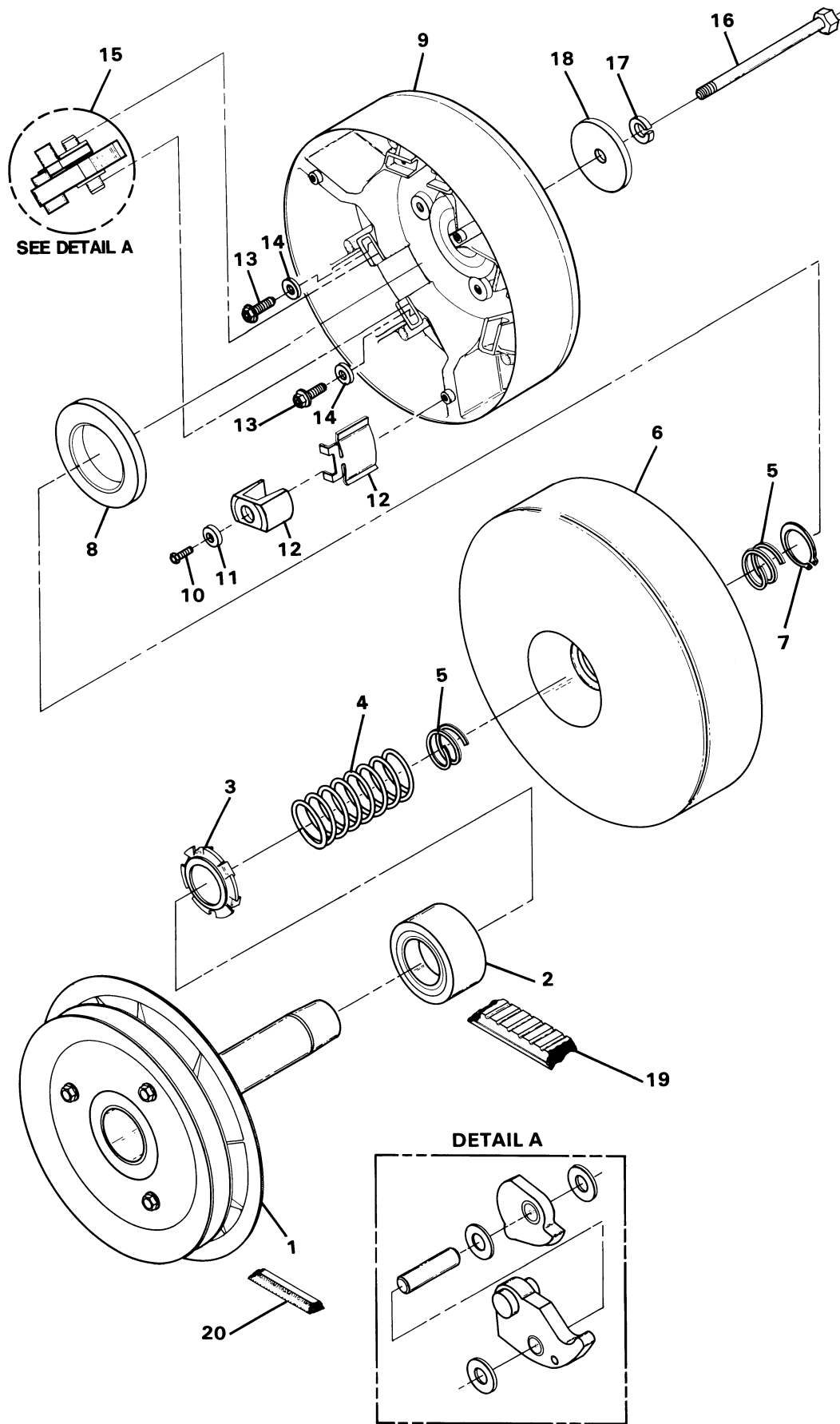


FIGURE 2-2A. DRIVE CLUTCH. SEE LIST 2-2A.

DRIVE CLUTCH

| FIGURE- ITEM NUMBER | PART NUMBER | UNITS PER ASM | DESCRIPTION | | | |
|---------------------------|----------------|---------------------|---|---|---|---|
| | | | 1 | 2 | 3 | 4 |
| 2A - | 1014449 | 1 | DRIVE CLUTCH FOR ILLUSTRATION, SEE FIGURE 2-2A | | | |
| - 1 | 1014451 | 1 | FIXED FACE — DRIVE | | | |
| - 2 | 1014049 | 1 | IDLER BEARING | | | |
| - 3 | 1014050 | 1 | SPRING RETAINER | | | |
| - 4 | 1014051 | 1 | SPRING — DRIVE CLUTCH | | | |
| - 5 | 1014056 | 2 | SPIRAL — BACK-UP RING | | | |
| - 6 | 1014052 | 1 | MOVABLE FACE | | | |
| - 7 | 1014057 | 1 | RETAINING RING | | | |
| - 8 | 1014058 | 1 | THRUST WASHER | | | |
| - 9 | 1014059 | 1 | DRIVE HUB | | | |
| - 10 | 8450 | 3 | #10-24 X 1/2" HEX HEAD SCREW | | | |
| - 11 | 183 | 3 | #10 FLATWASHER | | | |
| - 12 | 1014453 | 1 | DRIVE CLUTCH BUTTON KIT INCLUDES ITEMS 10 AND 11 | | | |
| - 13 | 1014063 | 6 | 1/4-20 HEX HEAD WASHER FACE SCREW | | | |
| - 14 | 1014785 | 6 | CLUTCH WASHER | | | |
| - 15 | 1014455 | 1 | DRIVE CLUTCH WEIGHT KIT INCLUDES ITEMS 13 AND 14 | | | |
| - 16 | 1012441 | 1 | 3/8-24 X 5-1/2" HEX BOLT | | | |
| - 17 | 357 | 1 | 3/8" LOCKWASHER | | | |
| - 18 | 808 | 1 | 3/8" TYPE B FLATWASHER | | | |
| - 19 | 1014081 | 1 | DRIVE BELT | | | |
| - 20 | 1014290 | 1 | STARTER/GENERATOR BELT | | | |



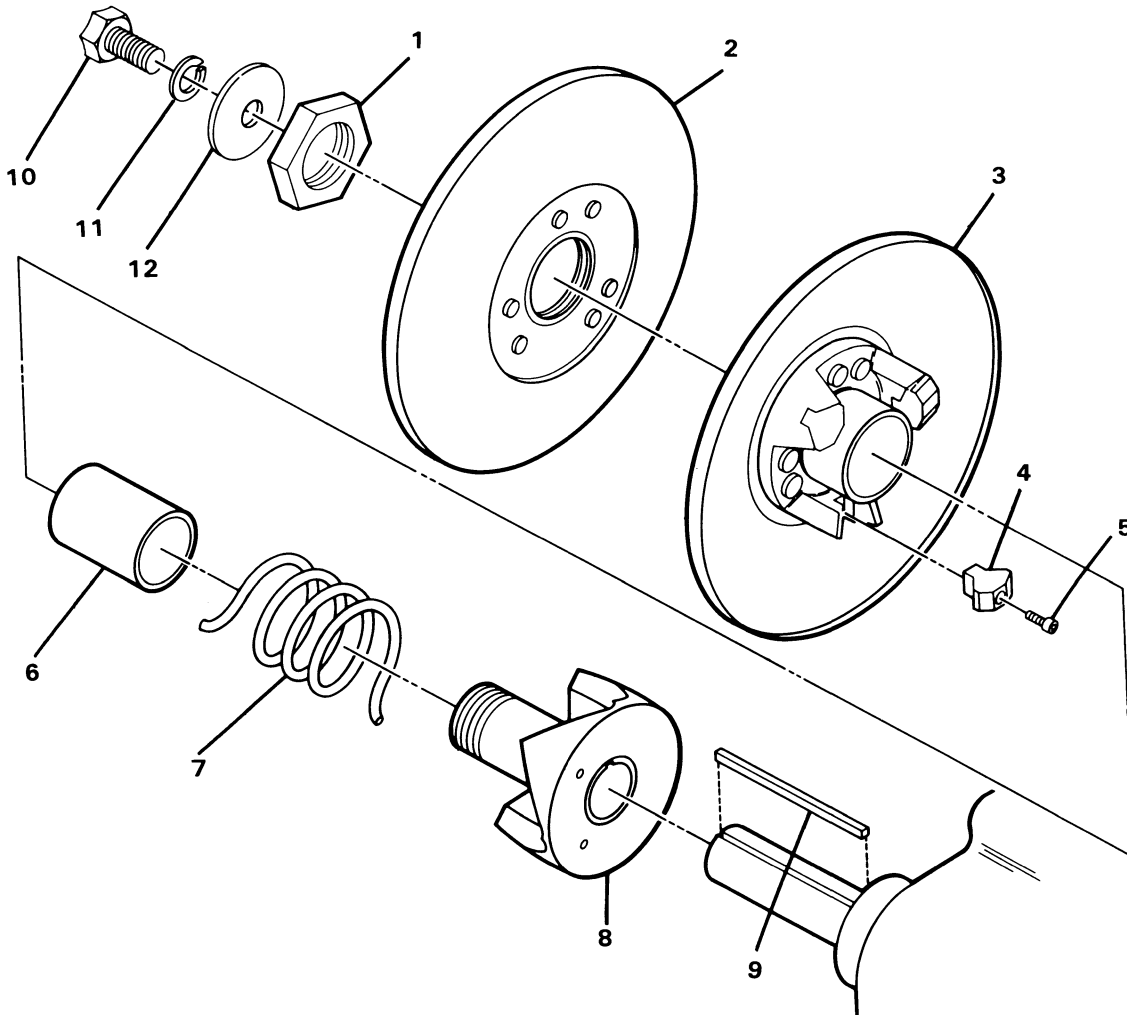


FIGURE 2-3. DRIVEN CLUTCH. SEE LIST 2-3.

| FIGURE-ITEM NUMBER | PART NUMBER | UNITS PER ASM | DESCRIPTION | | | |
|--------------------|-------------|---------------|--|---|---|---|
| | | | 1 | 2 | 3 | 4 |
| 3 - | 1012288 | 1 | DRIVEN CLUTCH FOR ILLUSTRATION, SEE FIGURE 2-3 | | | |
| - 1 | 1012831 | 1 | 1 1/4"-12 NUT, HEX - LEFT HAND THREADS | | | |
| - 2 | 1012832 | 1 | FIXED FACE ASSEMBLY | | | |
| - 3 | 1012833 | 1 | MOVABLE FACE ASSEMBLY INCLUDES ITEMS 4, 5 AND 6 | | | |
| - 4 | 1012982 | 1 | CAM BUTTON KIT INCLUDES ITEM 5 | | | |
| - 5 | 1012836 | 3 | SCREW, SOCKET HEAD CAP, #8-32 X 3/4 | | | |
| - 6 | 1012834 | 1 | BUSHING | | | |
| - 7 | 1012837 | 1 | SPRING | | | |
| - 8 | 1012838 | 1 | CAM AND HUB ASSEMBLY | | | |
| - 9 | 1012455 | 1 | KEY | | | |
| - 10 | 7173 | 1 | BOLT, HEX HEAD, 5/16-18 X 3/4 | | | |
| - 11 | 7174 | 1 | LOCKWASHER, 5/16 | | | |
| - 12 | 1012571 | 1 | FLATWASHER, HEAVY, 5/16 | | | |

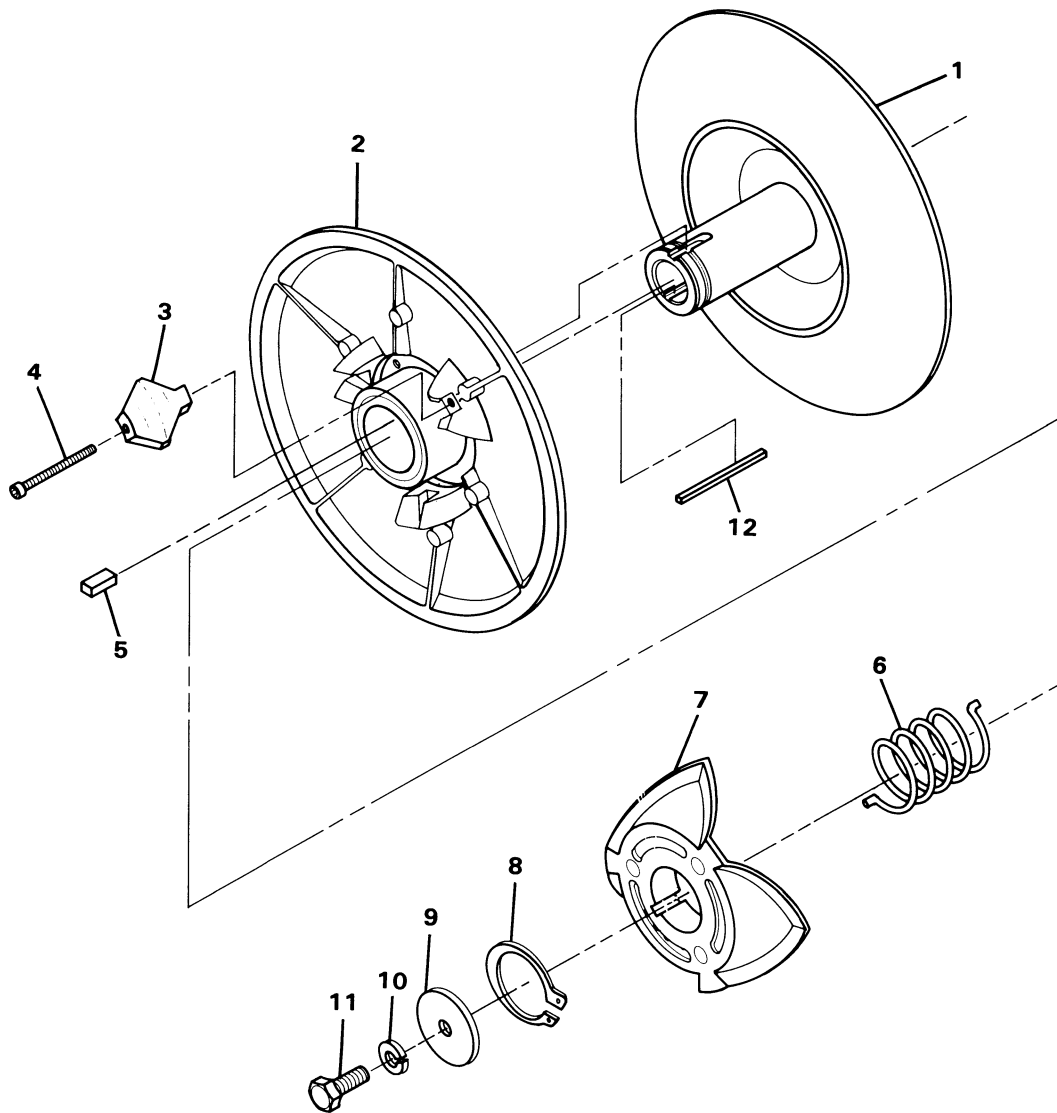


FIGURE 2-3A. DRIVEN CLUTCH. SEE LIST 2-3A.

| FIGURE- ITEM NUMBER | PART NUMBER | UNITS PER ASM | DESCRIPTION | | | |
|---------------------------|----------------|---------------------|--|---|---|---|
| | | | 1 | 2 | 3 | 4 |
| 3A - | 1014450 | 1 | DRIVEN CLUTCH FOR ILLUSTRATION, SEE FIGURE 2-3A | | | |
| - 1 | 1014458 | 1 | FIXED FACE — DRIVEN | | | |
| - 2 | 1014072 | 1 | MOVABLE FACE | | | |
| - 3 | 1014454 | 1 | DRIVEN CLUTCH BUTTON KIT INCLUDES ITEM 4 | | | |
| - 4 | 1012836 | 3 | #8-32 X 3/4" SOCKET HEAD CAP SCREW | | | |
| - 5 | 1014078 | 1 | KEY — SHORT | | | |
| - 6 | 1014079 | 1 | SPRING | | | |
| - 7 | 1014077 | 1 | CAM | | | |
| - 8 | 1014080 | 1 | RETAINING RING | | | |
| - 9 | 1012571 | 1 | 5/16" HEAVY FLATWASHER | | | |
| - 10 | 7174 | 1 | 5/16" LOCKWASHER | | | |
| - 11 | 7173 | 1 | 5/16-18 X 3/4" HEX HEAD BOLT | | | |
| - 12 | 1012455 | 1 | SHAFT KEY | | | |



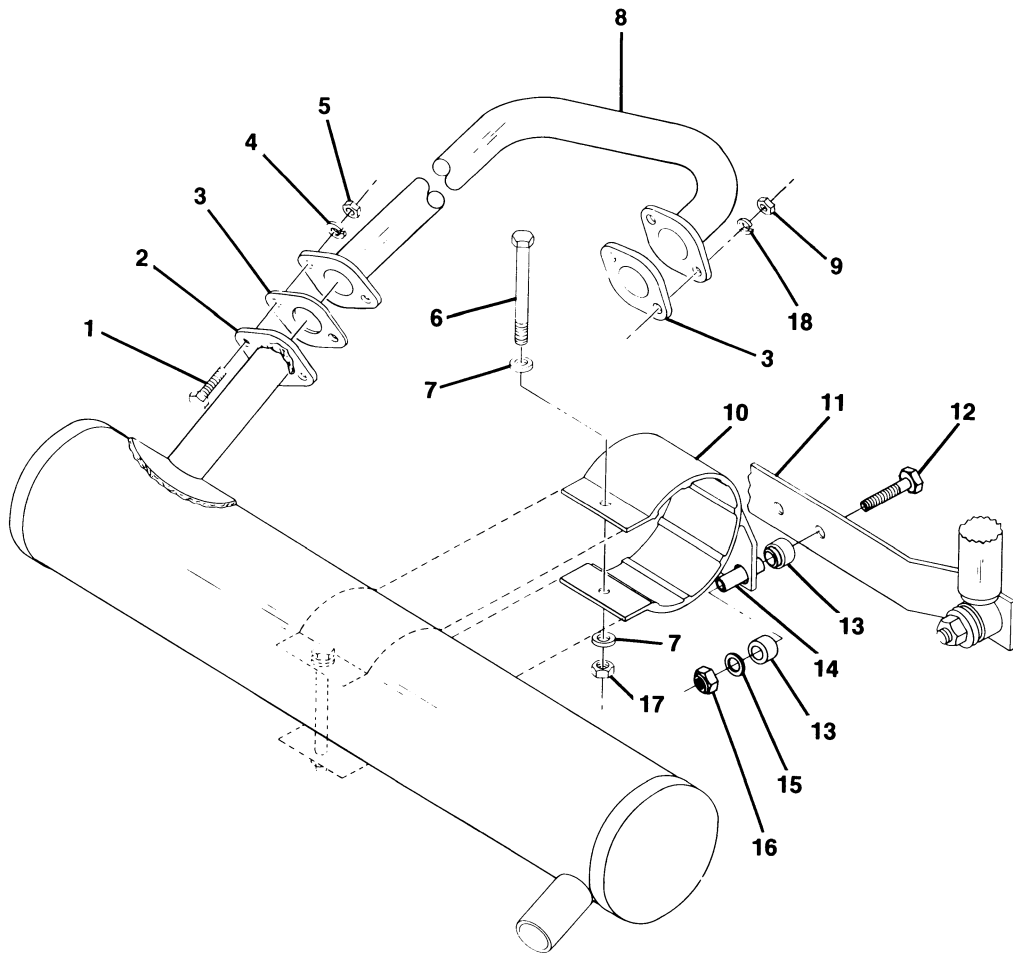


FIGURE 2-4. MUFFLER ASSEMBLY. SEE LIST 2-4.

| FIGURE- ITEM NUMBER | PART NUMBER | UNITS PER ASM | DESCRIPTION | | | |
|---------------------------|----------------|---------------------|--|---|---|---|
| | | | 1 | 2 | 3 | 4 |
| 4 - | NO # | REF | MUFFLER ASSEMBLY FOR ILLUSTRATION, SEE FIGURE 2-4 | | | |
| - 1 | 1010934 | 2 | BOLT, 5/16-18 HEX | | | |
| - 2 | 1013661 | 1 | MUFFLER | | | |
| - 3 | 1012510 | 2 | EXHAUST GASKET | | | |
| - 4 | 7174 | 2 | LOCKWASHER, 5/16 | | | |
| - 5 | 1242 | 2 | NUT, 5/16-18 HEX | | | |
| - 6 | 1012462 | 1 | BOLT, 1/4-20 HEX | | | |
| - 7 | 332 | 2 | FLATWASHER, 1/4 | | | |
| - 8 | 1012314 | 1 | EXHAUST HEADER | | | |
| - 9 | 1012528 | 2 | NUT, 8MM HEX | | | |
| - 10 | 1014562 | 1 | MUFFLER CLAMP | | | |
| - 11 | 1012460 | 1 | MUFFLER MOUNTING BAR | | | |
| - 12 | 1010177 | 2 | BOLT, 3/8-16 X 2" HEX | | | |
| - 13 | 1012290 | 4 | BUSHING, RUBBER | | | |
| - 14 | 1012291 | 2 | BUSHING, STEEL | | | |
| - 15 | 808 | 2 | FLATWASHER, 3/8" | | | |
| - 16 | 8754 | 2 | NUT, NYLON LOCK 3/8-16 | | | |
| - 17 | 1108 | 1 | DIMPLED LOCKNUT, 1/4-20 | | | |
| - 18 | 1013734 | 2 | LOCKWASHER, 8MM | | | |

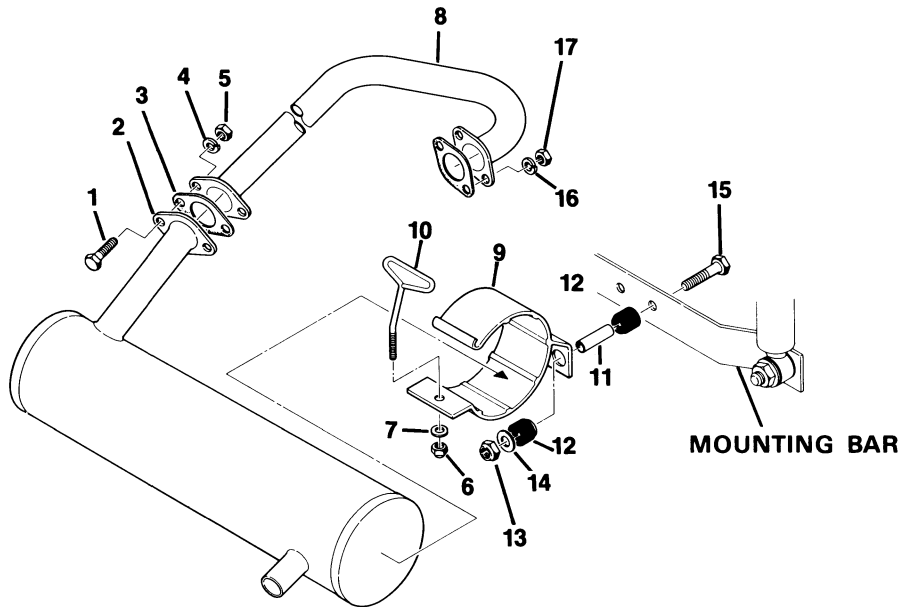


FIGURE 2-4A. MUFFLER ASSEMBLY. SEE LIST 2-4A.

| FIGURE- ITEM NUMBER | PART NUMBER | UNITS PER ASM | DESCRIPTION | | | |
|---------------------------|----------------|---------------------|---|---|---|---|
| | | | 1 | 2 | 3 | 4 |
| 4A - | NO # | 1 | MUFFLER ASSEMBLY FOR ILLUSTRATION, SEE FIGURE 2-4A | | | |
| - 1 | 1010934 | 2 | BOLT, 5/16-18 HEX | | | |
| - 2 | 1013661 | 1 | MUFFLER | | | |
| - 3 | 1012510 | 2 | EXHAUST GASKET | | | |
| - 4 | 7174 | 2 | LOCKWASHER, 5/16 | | | |
| - 5 | 1242 | 2 | NUT, 5/16-18 HEX | | | |
| - 6 | 8233 | 1 | 1/4-20 NYLON LOCK NUT | | | |
| - 7 | 332 | 1 | FLATWASHER, 1/4 | | | |
| - 8 | 1012314 | 1 | EXHAUST HEADER | | | |
| - 9 | 1014744 | 1 | CLAMP, MUFFLER | | | |
| - 10 | 1014743 | 1 | "T" BOLT | | | |
| - 11 | 1012291 | 2 | BUSHING, STEEL | | | |
| - 12 | 1012290 | 2 | BUSHING, RUBBER | | | |
| - 13 | 8754 | 2 | NUT, NYLON LOCK 3/8-16 | | | |
| - 14 | 808 | 2 | 3/8" TYPE "B" FLATWASHER | | | |
| - 15 | 1010177 | 2 | 3/8-16 X 2 HEX BOLT | | | |
| - 16 | 1013734 | 2 | LOCKWASHER, 8MM | | | |
| - 17 | 1012528 | 2 | NUT, 8MM HEX | | | |



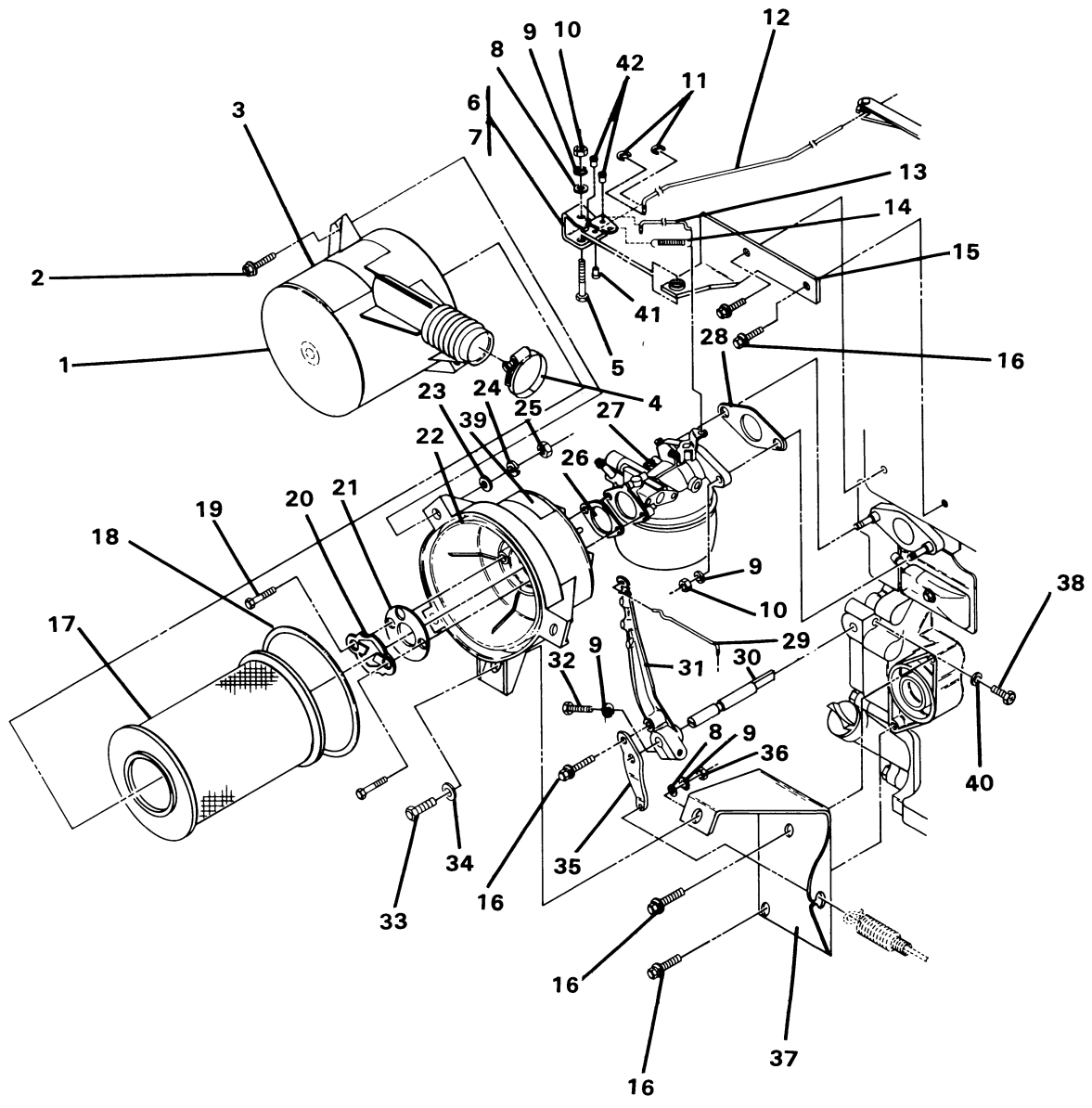


FIGURE 2-5. AIR CLEANER W/CARBURETOR AND LINKAGE. SEE LIST 2-5.



AIR CLEANER WITH CARBURETOR AND LINKAGE

| FIGURE- ITEM NUMBER | PART NUMBER | UNITS PER ASM | DESCRIPTION | | | |
|---------------------------|----------------|---------------------|---|---|---|---|
| | | | 1 | 2 | 3 | 4 |
| 5 - | NO # | | AIR CLEANER WITH CARBURETOR AND LINKAGE | | | |
| | | | FOR ILLUSTRATION, SEE FIGURE 2-5 | | | |
| - 1 | 1013388 | 1 | AIR FILTER INLET COVER | | | |
| | | | INCLUDES ITEM 3 | | | |
| - 2 | 1012126 | 3 | #10-32 X 5/8" SCREW | | | |
| - 3 | 1013393 | 1 | GOVERNOR WARNING DECAL | | | |
| - 4 | 1012348 | 1 | HOSE CLAMP, 2" | | | |
| - 5 | 1012933 | 1 | BOLT, 6MM | | | |
| - 6 | 1012910 | 1 | LEVER ASSEMBLY | | | |
| | | | INCLUDES ITEMS 6, 7, 8, 9, 10 AND 15 | | | |
| - 7 | 1012930 | 1 | LEVER, THROTTLE PLATE PIVOT | | | |
| | | | INCLUDES ITEMS 41 AND 42 | | | |
| - 8 | 332 | 1 | FLATWASHER, 1/4" | | | |
| - 9 | 451 | 5 | LOCKWASHER, 1/4" | | | |
| - 10 | 1012919 | 3 | NUT, 6MM | | | |
| - 11 | 1013064 | 2 | E-RING | | | |
| - 12 | 1012526 | 1 | GOVERNOR ROD | | | |
| - 13 | 1015531 | 1 | GOVERNOR LINKAGE | | | |
| - 14 | 1012912 | 1 | SPRING | | | |
| - 15 | 1012932 | 1 | BRACKET, THROTTLE PLATE MOUNTING | | | |
| - 16 | 1012909 | 5 | BOLT, 6MM X 14MM HEX | | | |
| - 17 | 1013379 | 1 | AIR FILTER ELEMENT | | | |
| - 18 | 1013380 | 1 | O-RING GASKET | | | |
| - 19 | 1012769 | 2 | BOLT, 6MM X 14MM HEX | | | |
| - 20 | 1013333 | 1 | LOCKING PLATE | | | |
| - 21 | 1013332 | 1 | SUPPORT WASHER | | | |
| - 22 | 1013387 | 1 | AIR FILTER HOUSING BASE | | | |
| | | | INCLUDES ITEM 39 | | | |
| - 23 | 183 | 3 | #10 FLATWASHER | | | |
| - 24 | 1016 | 3 | #10 LOCKWASHER | | | |
| - 25 | 7893 | 3 | #10-32 HEX NUT | | | |
| - 26 | 1012507 | 1 | AIR INTAKE GASKET | | | |
| - 27 | 1014541 | 1 | CARBURETOR ASSEMBLY | | | |
| | | | FOR DETAIL BREAKDOWN, SEE FIGURE 2-6. | | | |
| - 28 | 1012509 | 1 | CARBURETOR GASKET | | | |
| - 29 | 1012907 | 1 | GOVERNOR LINK | | | |
| - 30 | 1012922 | 1 | GOVERNOR SHAFT | | | |
| - 31 | 1012905 | 1 | GOVERNOR ARM (INSIDE) | | | |
| - 32 | 1012908 | 1 | BOLT, 6MM X 22MM HEX | | | |
| - 33 | 7847 | 1 | 1/4-20 X 3/4 HEX BOLT | | | |
| - 34 | 1011697 | 1 | 5/16" FLATWASHER | | | |
| - 35 | 1012906 | 1 | GOVERNOR ARM (OUTSIDE) | | | |
| - 36 | 1028 | 1 | 1/4-20 HEX NUT | | | |
| - 37 | 1013334 | 1 | AIR FILTER & ACCELERATOR BRACKET | | | |
| - 38 | 1012900 | 1 | BOLT-GOVERNOR SHAFT | | | |
| - 39 | 1012533 | 1 | SERVICE DECAL | | | |
| - 40 | 1012901 | 1 | GASKET, GOVERNOR SHAFT BOLT | | | |
| - 41 | 1013991 | 1 | BUSHING | | | |
| - 42 | 1012931 | 2 | BUSHING | | | |



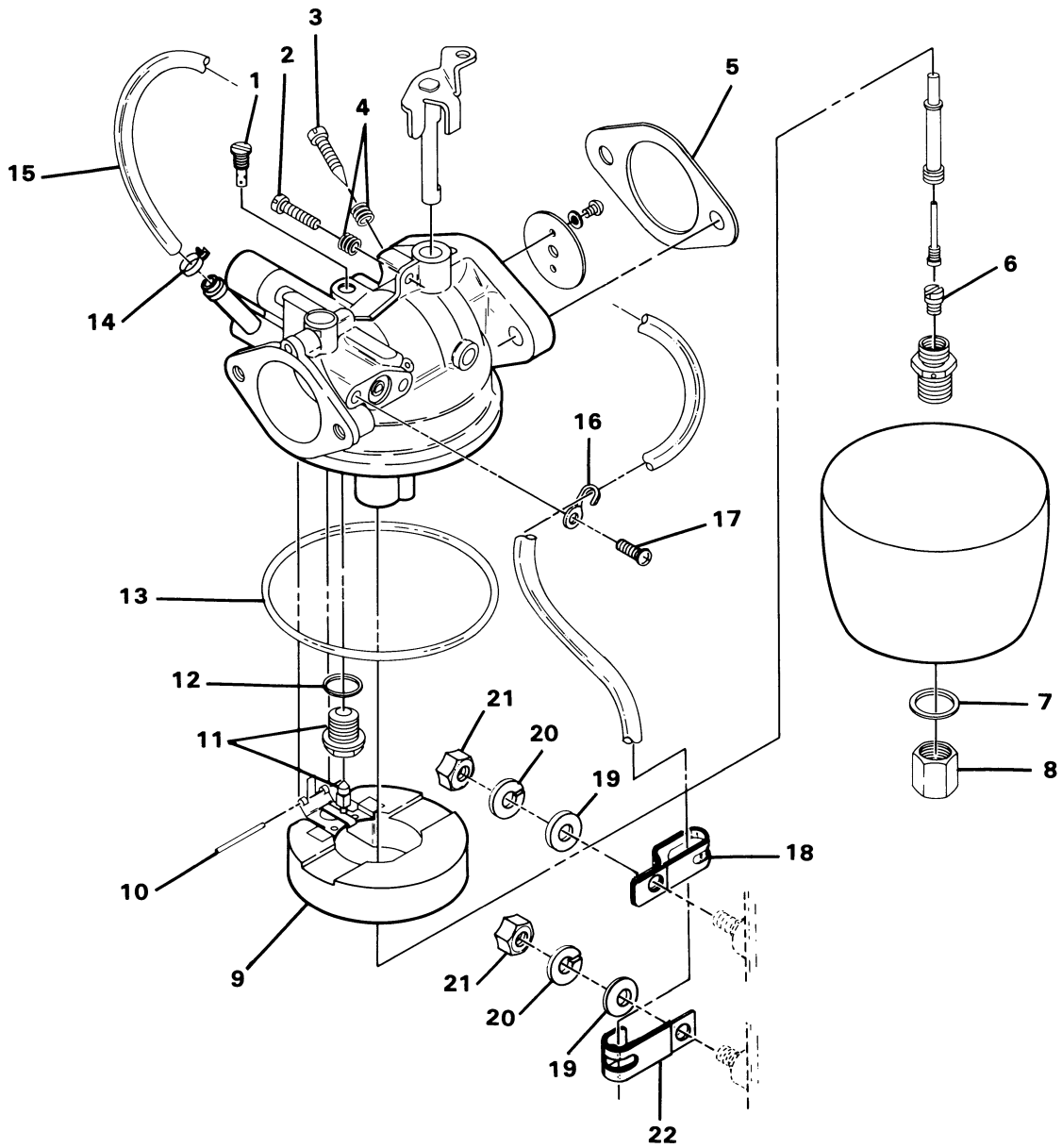


FIGURE 2-6. CARBURETOR ASSEMBLY. SEE LIST 2-6.

CARBURETOR ASSEMBLY

| FIGURE- ITEM NUMBER | PART NUMBER | UNITS PER ASM | DESCRIPTION | | | |
|---------------------------|----------------|---------------------|--|---|---|---|
| | | | 1 | 2 | 3 | 4 |
| 6 - | | 1 | CARBURETOR ASSEMBLY FOR ILLUSTRATION SEE FIGURE 2-6. | | | |
| - | 1012974 | 1 | CARBURETOR REBUILD KIT INCLUDES ITEMS 1 THRU 8, 12 AND 13 | | | |
| - 1 | 1012786 | 1 | JET, PILOT | | | |
| - 2 | 1012787 | 1 | SCREW, IDLE STOP | | | |
| - 3 | 1012788 | 1 | SCREW, PILOT | | | |
| - 4 | 1012789 | 2 | SPRING | | | |
| - 5 | 1012509 | 1 | GASKET | | | |
| - 6 | 1012795 | A/R | JET, MAIN 92.5 | | | |
| - 6 | 1012962 | A/R | JET, MAIN 90.0 | | | |
| - 6 | 1012963 | A/R | JET, MAIN 87.5 | | | |
| - 6 | 1012964 | A/R | JET, MAIN 85.0 | | | |
| - 6 | 1013213 | A/R | JET, MAIN 82.5 | | | |
| - 6 | 1013359 | A/R | JET, MAIN 80.0 | | | |
| - 6 | 1013879 | A/R | JET, MAIN 77.5 | | | |
| - 7 | 1012796 | 1 | GASKET | | | |
| - 8 | 1012797 | 1 | NUT | | | |
| - 9 | 1012794 | 1 | FLOAT | | | |
| - 10 | 1012793 | 1 | PIN, FLOAT | | | |
| - 11 | 1012791 | 1 | NEEDLE VALVE ASSEMBLY | | | |
| - 12 | 1012792 | 1 | GASKET | | | |
| - 13 | 1012790 | 1 | GASKET | | | |
| - 14 | 1013746 | 1 | HOSE CLAMP, FLAT SPRING TYPE | | | |
| - 15 | 1013685 | 1 | HOSE, BLACK | | | |
| - 16 | 1013689 | 1 | HOSE CLAMP, CARBURETOR RETAINER | | | |
| - 17 | 1013690 | 1 | SCREW, SELF TAP 4MM X 6MM | | | |
| - 18 | 1013700 | 1 | CLAMP, HOSE RETAINER — LARGE | | | |
| - 19 | 1241 | 2 | 5/16 FLATWASHER | | | |
| - 20 | 7174 | 2 | 5/16 LOCKWASHER | | | |
| - 21 | 1012528 | 2 | 8MM NUT | | | |
| - 22 | 1013701 | 1 | CLAMP, HOSE RETAINER - SMALL | | | |

SEE MAINTENANCE AND
SERVICE MANUAL FOR
PROPER JET SELECTION



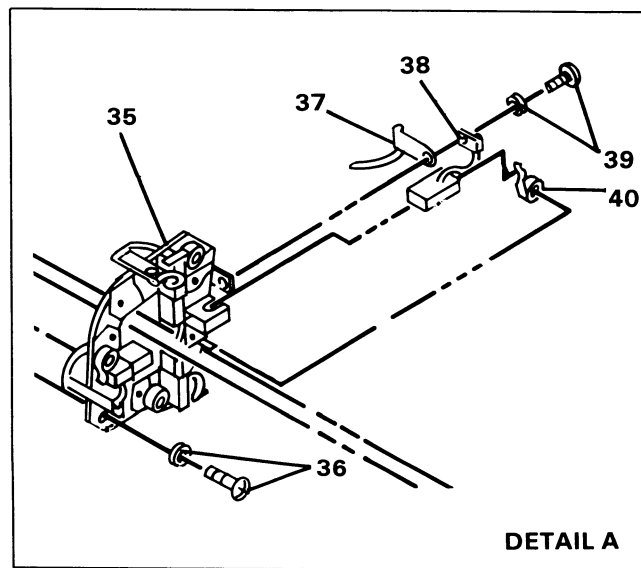
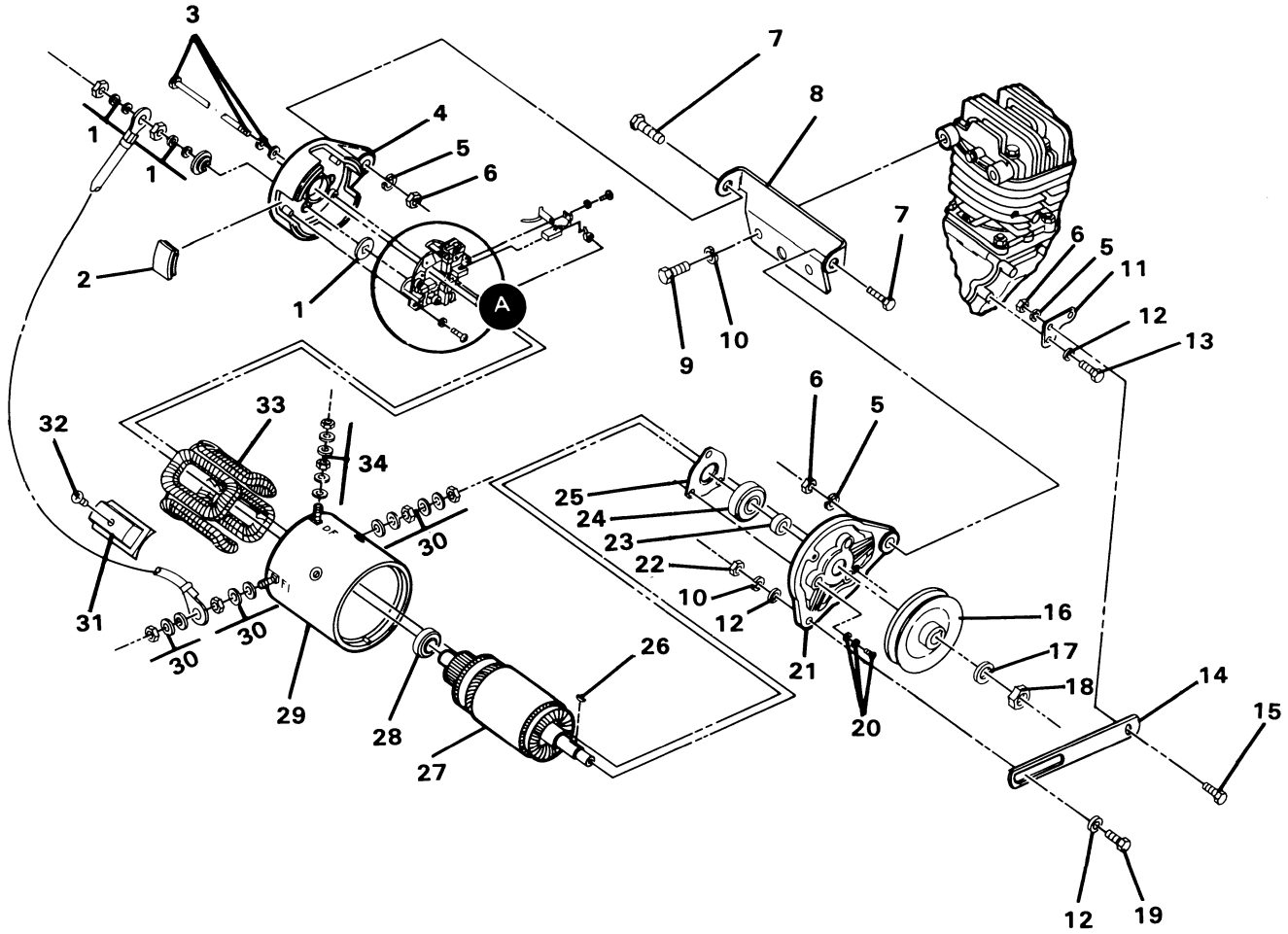


FIGURE 2-7. GENERATOR/STARTER. SEE LIST 2-7.

GENERATOR/STARTER

| FIGURE- ITEM NUMBER | PART NUMBER | UNITS PER ASM | DESCRIPTION | | | |
|---------------------------|----------------|---------------------|--|---|---|---|
| | | | 1 | 2 | 3 | 4 |
| 7 - | 1012316 | 1 | GENERATOR/STARTER (COMPLETE) FOR ILLUSTRATION, SEE FIGURE 2-7 | | | |
| - 1 | 1012990 | 2 | TERMINAL HARDWARE KIT (A1 AND A2) | | | |
| - 2 | 1012991 | 4 | BRUSH INSPECTION PORT COVER | | | |
| - 3 | 1012992 | 2 | BOLT, 6 X 180 CLAMP | | | |
| - 4 | 1012993 | 1 | COMMUTATOR END BELL | | | |
| - 5 | 357 | 3 | LOCKWASHER, 3/8 | | | |
| - 6 | 706 | 3 | NUT, 3/8-16 HEX | | | |
| - 7 | 705 | 9 | CAP SCREW, 3/8-16 X 1-1/4" HEX HEAD | | | |
| - 8 | 1014203 | 1 | STARTER/GENERATOR MOUNTING BRACKET | | | |
| - 9 | 1012442 | 2 | CAP SCREW, 8 X 18 HEX HEAD | | | |
| - 10 | 7174 | 2 | LOCKWASHER, 5/16 | | | |
| - 11 | 1012928 | 1 | STARTER/GENERATOR MOUNTING BRACKET (LOWER) | | | |
| - 12 | 1241 | 3 | FLATWASHER, 5/16 | | | |
| - 13 | 1012929 | 2 | BOLT, 8 X 43 HEX HEAD | | | |
| - 14 | 1012335 | 1 | STARTER/GENERATOR ADJUSTING BRACKET | | | |
| - 15 | 1012463 | 1 | BOLT, 3/8-16 X 7/8 HEX HEAD | | | |
| - 16 | 1012341 | 1 | PULLEY-STARTER/GENERATOR (GOLD COLOR) FOR CARS WITH SERIAL NO. AG8801-135720 AND EARLIER) | | | |
| - 16A | 1014289 | 1 | PULLEY-STARTER/GENERATOR (SILVER COLOR) FOR CARS WITH SERIAL NO. AG8801-135721 AND LATER) | | | |
| - 17 | NO # | 1 | LOCKWASHER, M14, SEE ITEM 41 | | | |
| - 18 | NO # | 1 | NUT, M14 X 1.5 HEX, SEE ITEM 41 | | | |
| - 19 | 1015932 | 1 | ROUND HEAD SQUARE NECK BOLT | | | |
| - 20 | NO # | 3 | SCREW, M5 X 18 (CROSS-RECESSED), SEE ITEM 41 | | | |
| - 21 | 1012999 | 1 | END BELL-OUTPUT SHAFT | | | |
| - 22 | 1242 | 1 | NUT, 5/16-18 HEX | | | |
| - 23 | 1013000 | 1 | SPACER | | | |
| - 24 | 1013001 | 1 | BALL BEARING DOUBLE SEAL | | | |
| - 25 | 1013002 | 1 | BEARING RETAINER | | | |
| - 26 | 1013003 | 1 | KEY | | | |
| - 27 | 1013004 | 1 | ARMATURE ASSEMBLY INCLUDES ITEMS 23, 24, 25, AND 28 | | | |
| - 28 | 1013005 | 1 | BALL BEARING DOUBLE SEAL | | | |
| - 29 | 1013006 | 1 | FRAME ASSEMBLY INCLUDES ITEMS 30 THRU 34 | | | |
| - 30 | 1013007 | 2 | TERMINAL HARDWARE KIT (F1 AND F2) | | | |
| - 31 | NO # | 4 | POLE PIECE | | | |
| - 32 | 1013009 | 4 | SCREW, POLE PIECE | | | |
| - 33 | 1013010 | 1 | FIELD COIL ASSEMBLY | | | |
| - 34 | 1013017 | 1 | TERMINAL HARDWARE KIT (DF) | | | |
| - 35 | 1013011 | 1 | BRUSH HOLDER | | | |
| - 36 | NO # | 2 | SCREW, M5 X 16, SEE ITEM 41 | | | |
| - 37 | 1013013 | 2 | CROSSOVER LEAD | | | |
| - 38 | 1014699 | 1 | BRUSH PACKAGE | | | |
| - 39 | 1013014 | 4 | SCREW, M4 X 10, SEE ITEM 41 | | | |
| - 40 | 1013016 | 4 | BRUSH SPRING | | | |
| - 41 | 1013018 | 1 | PULLEY NUT AND SCREW KIT INCLUDES ITEMS 17, 18, 20, 36 AND 39 | | | |



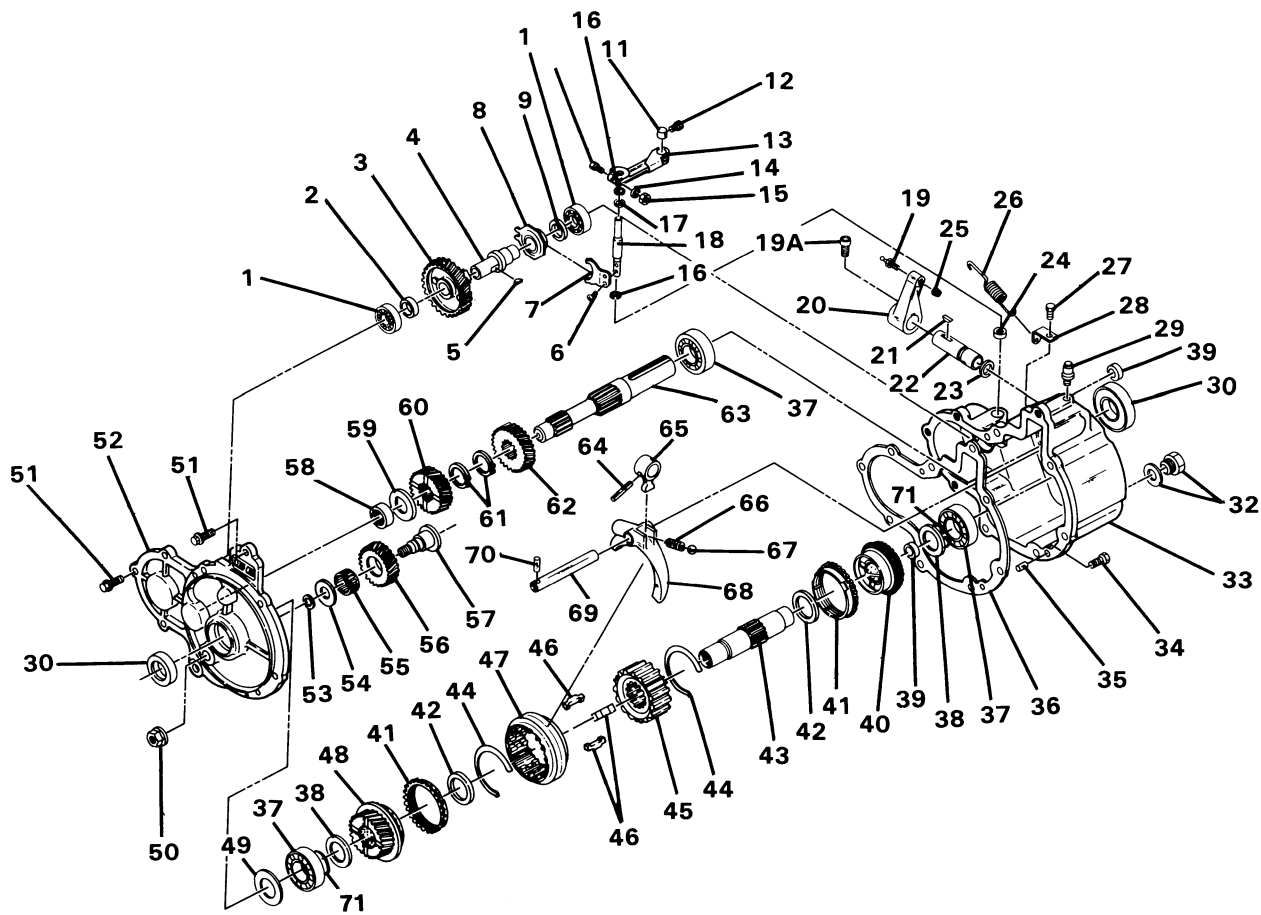


FIGURE 2-8. TRANSMISSION ASSEMBLY. SEE LIST 2-8.

| FIGURE-ITEM NUMBER | PART NUMBER | UNITS PER ASM | DESCRIPTION | | | |
|--------------------|-------------|---------------|---|---|---|---|
| | | | 1 | 2 | 3 | 4 |
| 8 - | 1013624 | 1 | TRANSMISSION ASSEMBLY FOR ILLUSTRATION, SEE FIGURE 2-8 | | | |
| - 1 | 1012761 | 2 | BALL BEARING | | | |
| - 2 | 1012759 | 1 | SPACER-THICK | | | |
| - 3 | 1012755 | 1 | GOVERNOR GEAR, 41 TOOTH | | | |
| - 4 | 1012756 | 1 | GOVERNOR SHAFT | | | |
| - 5 | 1012760 | 1 | GOVERNOR SHAFT KEY | | | |
| - 6 | 1012764 | 2 | SCREW, M4 X 0.7 X 6MM | | | |
| - 7 | 1012763 | 1 | GOVERNOR ARM, INTERNAL | | | |
| - 8 | 1012757 | 1 | GOVERNOR SLEEVE | | | |
| - 9 | 1012758 | 1 | SPACER-THIN | | | |
| - 10 | 1012769 | 1 | BOLT, M6 X 1 X 25MM HEX | | | |
| - 11 | 1012772 | 1 | GOVERNOR ARM PIVOT | | | |
| - 12 | 1012773 | 1 | BOLT, M5 X 0.8 X 10MM HEX | | | |
| - 13 | 1012768 | 1 | GOVERNOR ARM, EXTERNAL | | | |
| - 14 | 332 | 1 | WASHER, FLAT | | | |
| - 15 | 1012919 | 1 | NUT, M6 X 1 | | | |
| - 16 | 1012766 | 2 | SNAP RING | | | |
| - 17 | 1012765 | 1 | WASHER | | | |
| - 18 | 1012762 | 1 | GOVERNOR ARM SHAFT | | | |
| - 19 | 1010954 | 1 | BALL STUD | | | |

TRANSMISSION ASSEMBLY CONTINUED

| FIGURE- ITEM NUMBER | PART NUMBER | UNITS PER ASM | DESCRIPTION | | | |
|---------------------------|----------------|---------------------|-------------|---|---|--------------------------------------|
| | | | 1 | 2 | 3 | 4 |
| - 19A | 1012602 | 1 | | | | CAP SCREW, SOCKET HEAD, 10-24 X 3/8" |
| - 20 | 1012414 | 1 | | | | TRANSMISSION SHIFTER ARM, OUTSIDE |
| - 21 | 1012753 | 1 | | | | SHIFTER SHAFT KEY |
| - 22 | 1012751 | 1 | | | | SHIFTER SHAFT |
| - 23 | 1012754 | 1 | | | | O-RING |
| - 24 | 1012767 | 1 | | | | OIL SEAL |
| - 25 | 8717 | 1 | | | | LOCKNUT, 1/4-28 NYLON |
| - 26 | 1012776 | 1 | | | | GOVERNOR SPRING |
| - 27 | 1012775 | 1 | | | | BOLT, M6 X 1 X 10MM HEX |
| - 28 | 1012774 | 1 | | | | SPRING BRACKET |
| - 29 | 1012711 | 1 | | | | BREATHER |
| - 30 | 1012714 | 2 | | | | OIL SEAL |
| - 32 | 1013759 | 1 | | | | DRAIN PLUG WITH GASKET |
| - 33 | 1013960 | 1 | | | | GEAR CASE |
| - 34 | 1012719 | 1 | | | | BOLT, M6 X 1 X 14MM HEX |
| - 35 | 1012710 | 2 | | | | DOWEL PIN |
| - 36 | 1012717 | 1 | | | | CASE GASKET |
| - 37 | 7336 | 3 | | | | BALL BEARING |
| - 38 | 1012744 | 2 | | | | THRUST WASHER |
| - 39 | 1012735 | 2 | | | | PLUG |
| - 40 | 1012736 | 1 | | | | GEAR ASSEMBLY, 36 TOOTH |
| - 41 | 1012742 | 2 | | | | SYNCHRONIZER RING |
| - 42 | 1012743 | 2 | | | | THRUST WASHER |
| - 43 | 1012734 | 1 | | | | OUTPUT SHAFT |
| - 44 | 1012741 | 2 | | | | SYNCHRO SPRING |
| - 45 | 1012738 | 1 | | | | CLUTCH HUB |
| - 46 | 1012740 | 3 | | | | SYNCHRO INSERT |
| - 47 | 1012739 | 1 | | | | SLEEVE |
| - 48 | 1012737 | 1 | | | | GEAR ASSEMBLY, 34 TOOTH |
| - 49 | 1012783 | A/R | | | | SHIM 0.2MM |
| - 49 | 1012784 | A/R | | | | SHIM 0.1MM |
| - 50 | 1012733 | 1 | | | | FLANGE NUT, M12 X 1.25 |
| - 51 | 1012718 | 4 | | | | BOLT, M6 X 1 X 20MM HEX |
| - 52 | 1012715 | 1 | | | | COVER |
| - 53 | 1012732 | 1 | | | | O-RING |
| - 54 | 1012730 | 1 | | | | THRUST WASHER |
| - 55 | 1012731 | 1 | | | | NEEDLE BEARING |
| - 56 | 1012729 | 1 | | | | REVERSE IDLER GEAR |
| - 57 | 1012728 | 1 | | | | IDLER SHAFT |
| - 58 | 1012716 | 1 | | | | NEEDLE BEARING |
| - 59 | 1012723 | A/R | | | | THRUST WASHER, 3.0MM |
| - 59 | 1012724 | A/R | | | | THRUST WASHER, 3.3MM WHITE |
| - 59 | 1012725 | A/R | | | | THRUST WASHER, 3.6MM YELLOW |
| - 60 | 1012722 | 1 | | | | GEAR, 25 TOOTH |
| - 61 | 1012727 | 2 | | | | SNAP RING |
| - 62 | 1012721 | 1 | | | | GEAR, 27 TOOTH |
| - 63 | 1012720 | 1 | | | | INPUT SHAFT |
| - 64 | 1012752 | 1 | | | | ROLL PIN |
| - 65 | 1012750 | 1 | | | | SHIFTER ARM LEVER, INSIDE |
| - 66 | 1012748 | 1 | | | | SHIFTER SPRING |
| - 67 | 1012747 | 1 | | | | SHIFTER BALL |
| - 68 | 1012746 | 1 | | | | SLEEVE SHIFT ARM |
| - 69 | 1012745 | 1 | | | | SHIFT ROD |
| - 70 | 1012749 | 1 | | | | ROLL PIN |
| - 71 | 1016338 | 2 | | | | BELLEVILLE SPRING |



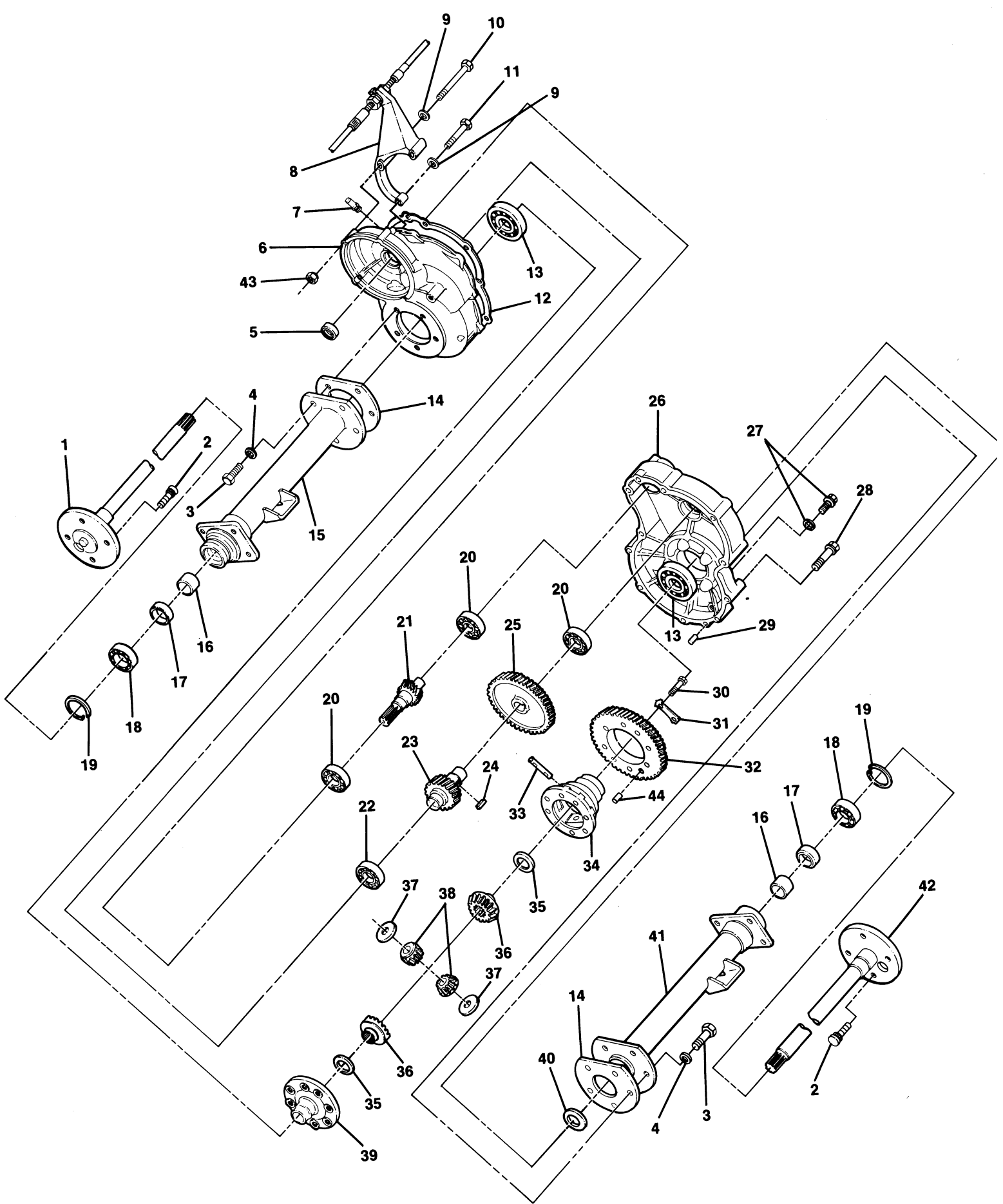


FIGURE 2-9. DRIVE UNIT. SEE LIST 2-9.

DRIVE UNIT

| FIGURE- ITEM NUMBER | PART NUMBER | UNITS PER ASM | DESCRIPTION | | | |
|---------------------------|----------------|---------------------|---|---|---|---|
| | | | 1 | 2 | 3 | 4 |
| 9 - | 1013664 | 1 | DRIVE UNIT INCLUDES ALL ITEMS EXCEPT 8, 9, 10, 11 AND 43 FOR ILLUSTRATION, SEE FIGURE 2-9 | | | |
| - 1 | 1013785 | 1 | AXLE ASSEMBLY, RIGHT INCLUDES ITEMS 2, 16, 18 AND 19 | | | |
| - 2 | 1013787 | 8 | LUG STUD | | | |
| - 3 | 1013790 | 10 | BOLT (10 X 30) | | | |
| - 4 | 1013791 | 10 | LOCKWASHER | | | |
| - 5 | 1013775 | 1 | INPUT SHAFT OIL SEAL | | | |
| - 6 | 1013756 | 1 | GEAR CASE — RIGHT HAND | | | |
| - 7 | 1012711 | 1 | BREATHER PLUG | | | |
| - 8 | 1013866 | 1 | SHIFT CABLE SUPPORT BRACKET KIT INCLUDES ITEMS 9, 10, 11 AND 43 | | | |
| - 9 | 332 | 6 | 1/4" FLATWASHER | | | |
| - 10 | 1013872 | 2 | 1/4-20 X 4" HEX BOLT | | | |
| - 11 | 1012462 | 1 | 1/4-20 X 3-1/2" HEX BOLT | | | |
| - 12 | 1013758 | 1 | GASKET | | | |
| - 13 | 7330 | 2 | INNER AXLE, TUBE BEARING | | | |
| - 14 | 1013789 | 2 | GASKET — AXLE TUBE | | | |
| - 15 | 1013783 | 1 | AXLE TUBE ASSEMBLY — RIGHT HAND (FOR DRIVE UNIT SERIAL NO. 6100217 AND EARLIER) | | | |
| - 15A | 1014209 | 1 | AXLE TUBE ASSEMBLY — RIGHT HAND (FOR DRIVE UNIT SERIAL NO. 6100218 AND LATER) | | | |
| - 16 | 1013788 | 2 | BUSHING (FOR DRIVE UNIT SERIAL NO. 6071277 AND EARLIER) | | | |
| - 16A | 1014207 | 1 | BUSHING WITH GROOVE IN END (FOR DRIVE UNIT SERIAL NO. 6071278 AND LATER) | | | |
| - 17 | 1013794 | 2 | AXLE SHAFT OIL SEAL | | | |
| - 18 | 1011291 | 2 | OUTER AXLE TUBE BEARING | | | |
| - 19 | 1013792 | 2 | CIRCLIP, TYPE-C | | | |
| - 20 | 7335 | 3 | INPUT GEAR BEARING | | | |
| - 21 | 1013764 | 1 | SHAFT, INPUT | | | |
| - 22 | 7336 | 1 | INTERMEDIATE GEAR BEARING | | | |
| - 23 | 1013766 | 1 | INTERMEDIATE GEAR — SMALL | | | |
| - 24 | 1013780 | 1 | KEY, SUNK | | | |
| - 25 | 1013765 | 1 | INTERMEDIATE GEAR — LARGE | | | |
| - 26 | 1013757 | 1 | GEAR CASE — LEFT HAND | | | |
| - 27 | 1013759 | 2 | FILL PLUG WITH GASKET | | | |
| - 28 | 1013763 | 10 | BOLT (6 X 50) | | | |
| - 29 | 1012710 | 2 | PIN, DOWEL | | | |
| - 30 | 1013779 | 8 | BOLT (8 X 37) | | | |
| - 31 | 1013782 | 4 | PLATE, LOCK | | | |
| - 32 | 1013767 | 1 | OUTPUT GEAR | | | |
| - 33 | 1013772 | 1 | DIFFERENTIAL PIN | | | |
| - 34 | 1013768 | 1 | DIFFERENTIAL GEAR CASE — LEFT HAND | | | |
| - 35 | 1013773 | 2 | PLATE, THRUST (DIFFERENTIAL GEAR) | | | |
| - 36 | 1013771 | 2 | DIFFERENTIAL GEAR | | | |
| - 37 | 1013774 | 2 | PLATE, THRUST (IDLER GEAR) | | | |
| - 38 | 1013770 | 2 | DIFFERENTIAL IDLER GEAR | | | |
| - 39 | 1013769 | 1 | DIFFERENTIAL GEAR CASE — RIGHT HAND | | | |
| - 40 | 1013781 | A/R | SHIM | | | |
| - 41 | 1013784 | 1 | AXLE TUBE ASSEMBLY — LEFT HAND (FOR DRIVE UNIT SERIAL NO. 6100217 AND EARLIER) | | | |
| - 41A | 1014210 | 1 | AXLE TUBE ASSEMBLY — LEFT HAND (FOR DRIVE UNIT SERIAL NO. 6100218 AND LATER) | | | |
| - 42 | 1013786 | 1 | AXLE ASSEMBLY, LEFT INCLUDES ITEMS 2, 16, 18 AND 19 | | | |
| - 43 | 8233 | 3 | 1/4-20 NYLON LOCKNUT | | | |
| - 44 | 1014193 | 1 | PIN, DOWEL | | | |



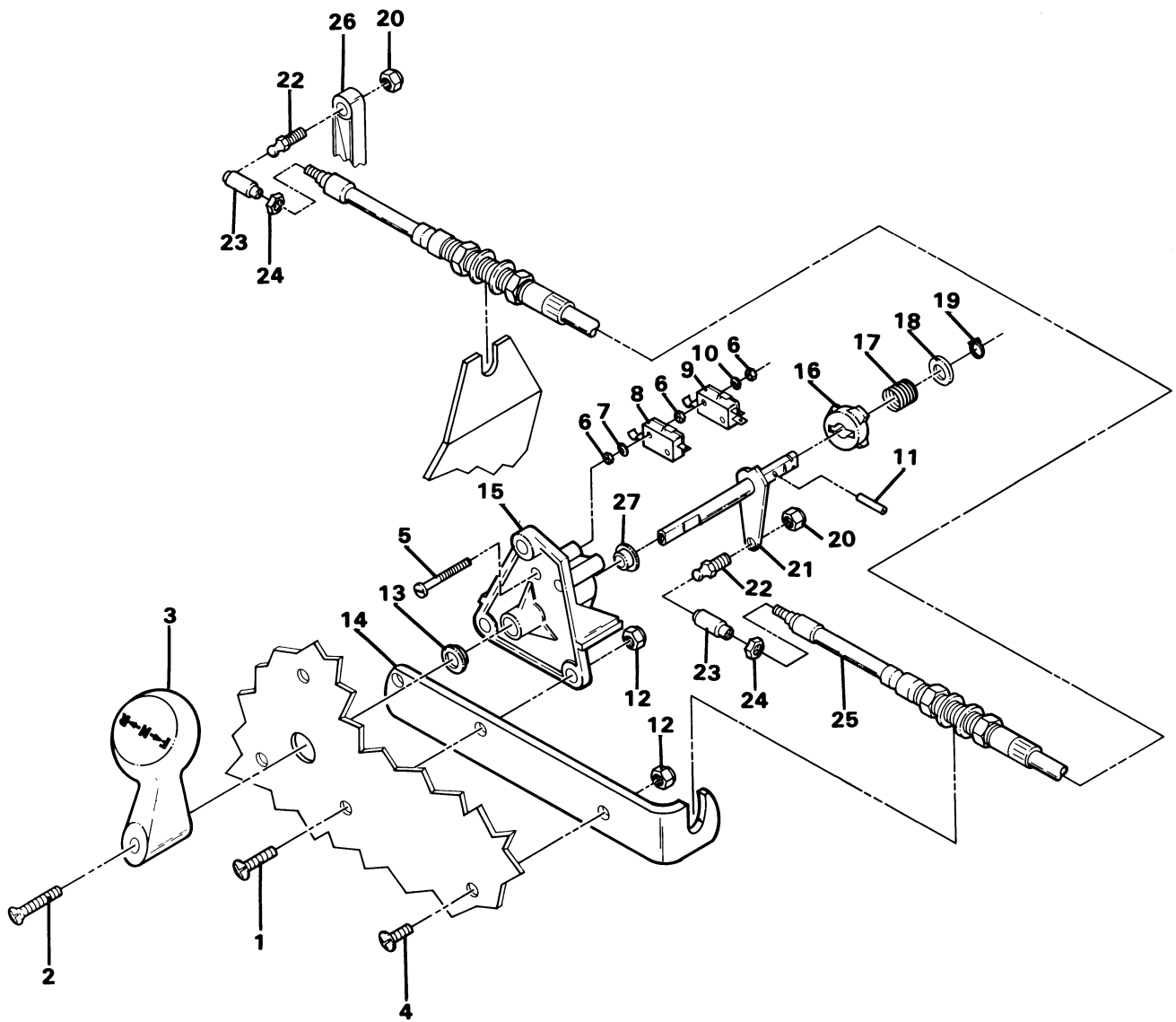


FIGURE 2-10. F&R SHIFTER ASSEMBLY. SEE LIST 2-10.

F&R SHIFTER ASSEMBLY

| FIGURE- ITEM NUMBER | PART NUMBER | UNITS PER ASM | DESCRIPTION | | | |
|---------------------------|----------------|---------------------|---|---|---|---|
| | | | 1 | 2 | 3 | 4 |
| 10 - | NO # | 1 | F&R SHIFTER ASSEMBLY FOR ILLUSTRATION, SEE FIGURE 2-10 | | | |
| - 1 | 8251 | 3 | SCREW, 1/4-20 X 1.00" PHILLIPS HEAD | | | |
| - 2 | 1013198 | 1 | #8-32 PHILLIPS MACHINE SCREW | | | |
| - 3 | 1012987 | 1 | F&R HANDLE | | | |
| - 4 | 8248 | 1 | SCREW, 1/4-20 X 3/4" PHILLIPS HEAD | | | |
| - 5 | 1012594 | 2 | SCREW, #4-40 X 1.00" MACHINE | | | |
| - 6 | 8057 | 6 | NUT, #4-40 UNC HEX | | | |
| - 7 | 1012431 | 2 | FLATWASHER, #4 | | | |
| - 8 | 1014808 | 1 | LIMIT SWITCH | | | |
| - 9 | 1014807 | 1 | LIMIT SWITCH | | | |
| - 10 | 8058 | 2 | LOCKWASHER, #4 | | | |
| - 11 | 1013591 | 1 | 1/8" ROLL PIN | | | |
| - 12 | 8233 | 4 | LOCKNUT, 1/4-20 NYLON | | | |
| - 13 | 1032 | 1 | NYLON BUSHING | | | |
| - 14 | 1012254 | 1 | CABLE SUPPORT BRACKET | | | |
| - 15 | 1013898 | 1 | F&R SHIFTER BASE | | | |
| - 16 | 1014089 | 1 | NEUTRAL LOCK-OUT CAM KIT INCLUDES ITEM 18 | | | |
| - 17 | 1013590 | 1 | SPRING — F&R CAM | | | |
| - 18 | 1014065 | 1 | FLATWASHER-DELRIN | | | |
| - 19 | 1013589 | 1 | RETAINING RING | | | |
| - 20 | 8717 | 2 | LOCKNUT, 1/4-28 NYLON | | | |
| - 21 | 1013587 | 1 | F&R BELL CRANK WELDMENT | | | |
| - 22 | 1010954 | 2 | BALL STUD, 1/4-28 UNF X .25 | | | |
| - 23 | 1012333 | 2 | BALL JOINT | | | |
| - 24 | 7893 | 2 | NUT, #10-32 UNF HEX | | | |
| - 25 | 1013085 | 1 | TRANSMISSION SHIFT CABLE INCLUDES ITEMS 23 AND 24 | | | |
| - 26 | 1012414 | 1 | TRANSMISSION SHIFT LEVER | | | |
| - 27 | 7049 | 1 | NYLON BUSHING | | | |



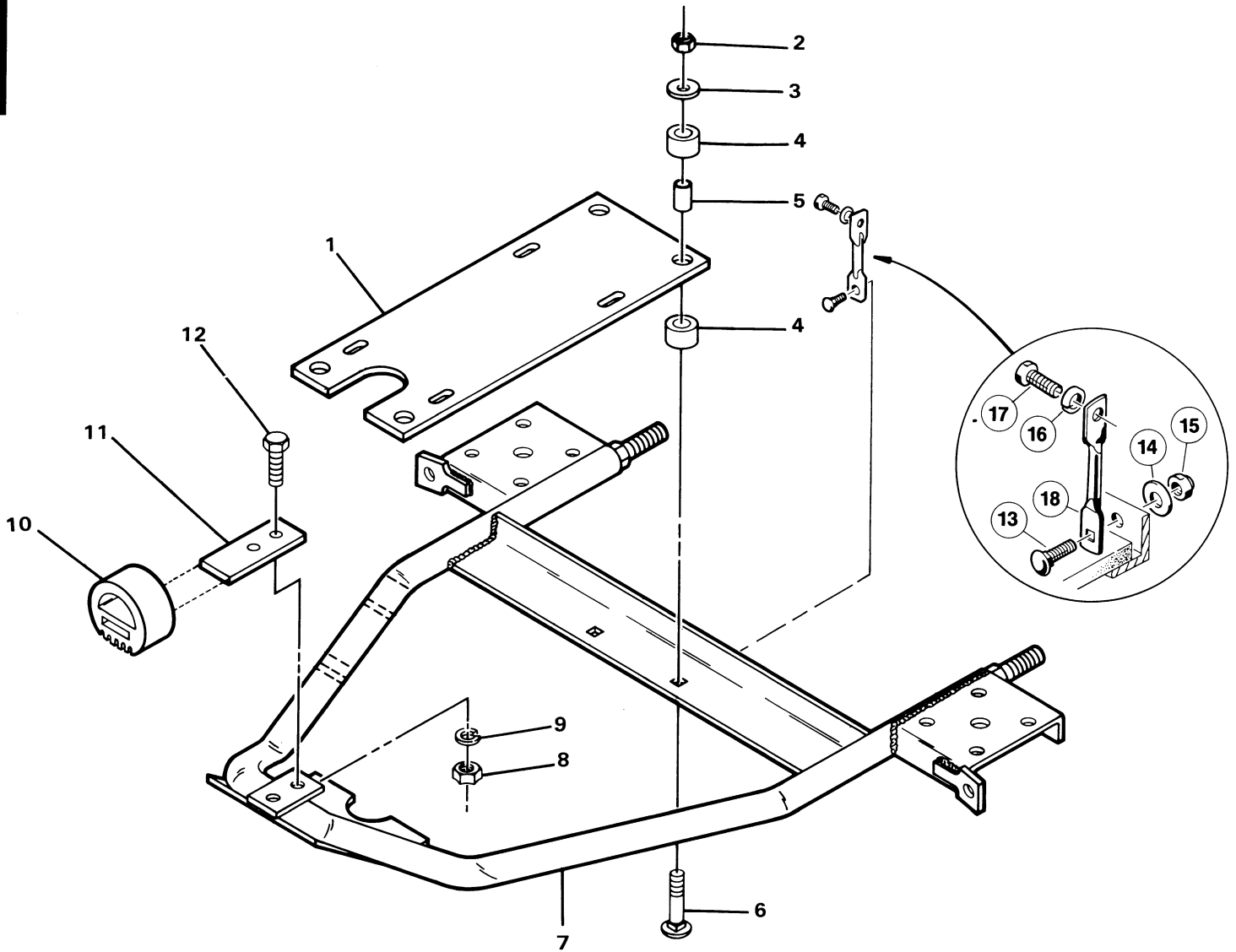


FIGURE 2-11. INNER FRAME ASSEMBLY. SEE LIST 2-11.

INNER FRAME ASSEMBLY

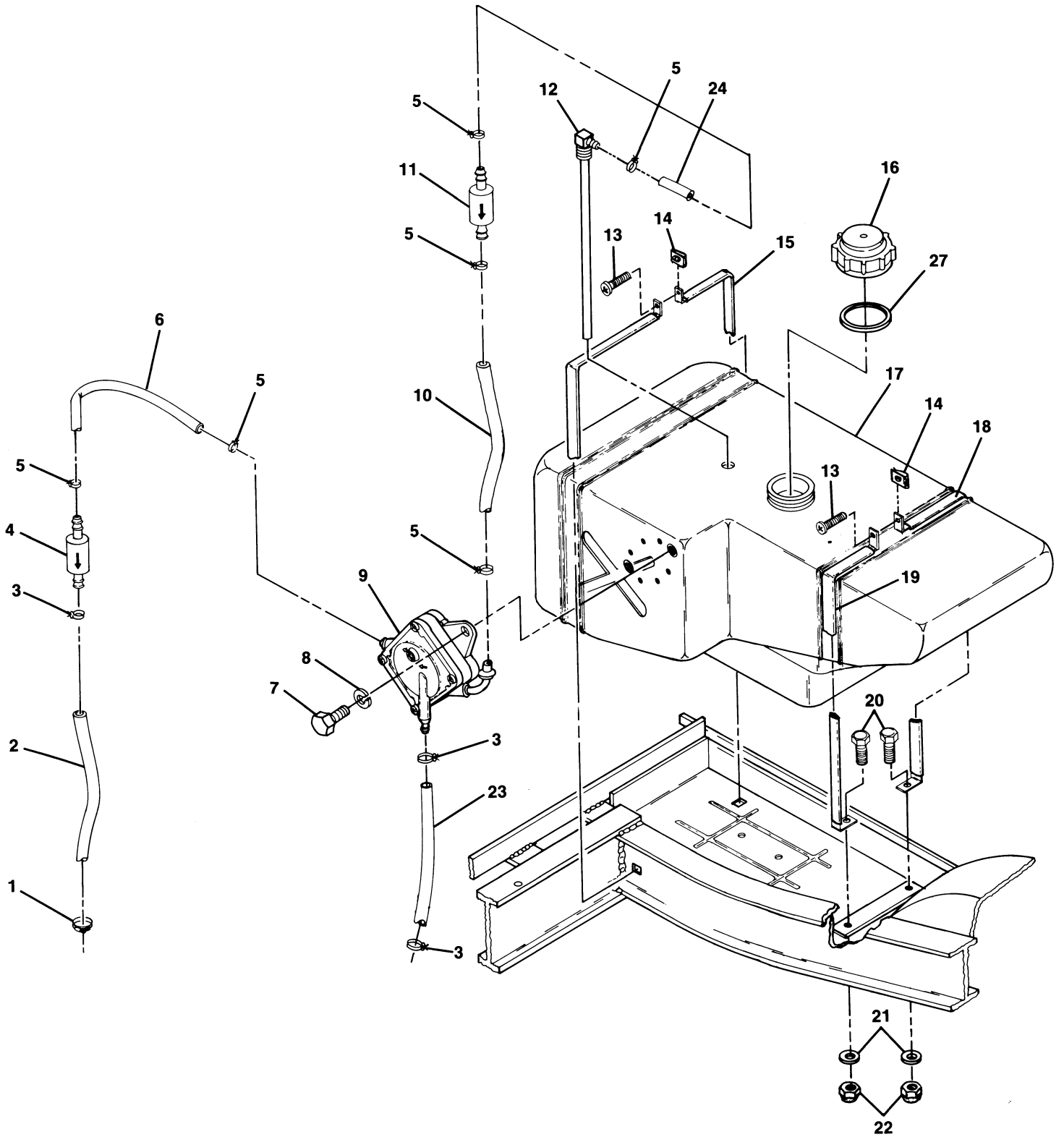
| FIGURE- ITEM NUMBER | PART NUMBER | UNITS PER ASM | DESCRIPTION | | | |
|---------------------------|----------------|---------------------|---|---|---|---|
| | | | 1 | 2 | 3 | 4 |
| 11 - | NO # | 1 | INNER FRAME ASSEMBLY FOR ILLUSTRATION, SEE FIGURE 2-11 | | | |
| - 1 | 1012168 | 1 | ENGINE MOUNTING PLATE | | | |
| - 2 | 8754 | 4 | LOCKNUT, 3/8-16 NYLON | | | |
| - 3 | 808 | 4 | FLATWASHER, 3/8 | | | |
| - 4 | 1012290 | 8 | ENGINE MOUNT | | | |
| - 5 | 1012291 | 4 | STEEL BUSHING | | | |
| - 6 | 1012428 | 4 | NECK BOLT, 3/8-16 ROUND HEAD SQUARE | | | |
| - 7 | 1012161 | 1 | INNER FRAME WELD ASSEMBLY | | | |
| - 8 | 706 | 2 | NUT, 3/8-16 HEX | | | |
| - 9 | 357 | 2 | LOCKWASHER, 3/8 | | | |
| - 10 | 1012164 | 1 | INNER FRAME SNUBBER | | | |
| - 11 | 1012593 | 1 | BRACKET SNUBBER | | | |
| - 12 | 320 | 2 | BOLT, 3/8-16 HEX | | | |
| - 13 | 1015932 | 1 | 5/16-18 X 1 ROUND HEAD SQUARE NECK SCREW | | | |
| - 14 | 1241 | 1 | 5/16" DIAMETER FLATWASHER | | | |
| - 15 | 7473 | 1 | 5/16-18 NYLON LOCKNUT | | | |
| - 16 | 7174 | 1 | 5/16" DIAMETER LOCKWASHER | | | |
| - 17 | 1010577 | 1 | 5/16-18 X 1-1/2" HEX HEAD SCREW | | | |
| - 18 | 1016200 | 1 | TRANSMISSION STRAP | | | |



FUEL SYSTEM ASSEMBLY

| FIGURE- ITEM NUMBER | PART NUMBER | UNITS PER ASM | DESCRIPTION | | | |
|---------------------------|----------------|---------------------|---|---|---|---|
| | | | 1 | 2 | 3 | 4 |
| 12 - | NO # | 1 | FUEL SYSTEM ASSEMBLY FOR ILLUSTRATION, SEE FIGURE 2-12 | | | |
| - 1 | 1012619 | 1 | TUBE, FUEL PICK-UP | | | |
| - 2 | 1013134 | 6 | CLAMP, HOSE (RED) | | | |
| - 3 | 1012306 | 1 | CAP, FUEL TANK | | | |
| - 4 | 1014159 | 1 | FUEL TANK KIT (FOR CARS WITH SERIAL NO. AG8706-112439 & EARLIER) | | | |
| - 4A | 1013970 | 1 | FUEL TANK (FOR CARS WITH SERIAL NO. AG8706-112440 & LATER) | | | |
| - 5 | 1012418 | 1 | BRACKET, FUEL FILTER | | | |
| - 6 | 7973 | 2 | RIVET, POP | | | |
| - 7 | 332 | 2 | FLATWASHER, 1/4" | | | |
| - 8 | 451 | 2 | LOCKWASHER, 1/4" | | | |
| - 9 | 7847 | 2 | HEX HEAD BOLT, 1/4-20 x 3/4" | | | |
| - 10 | NO # | 2 | LINE, FUEL, 18" (SEE ITEM 20) | | | |
| - 11 | 1012342 | 1 | FUEL FILTER, LARGE | | | |
| - 12 | 1013687 | 1 | CLAMP, HOSE 3/8 " | | | |
| - 13 | 1012649 | 3 | CLAMP, HOSE SINGLE WIRE | | | |
| - 14 | NO # | 1 | LINE, FUEL 2-1/4" (SEE ITEM 21) | | | |
| - 15 | NO # | 1 | LINE, PULSE 16-1/4" (SEE ITEM 21) | | | |
| - 16 | 1013684 | 1 | FUEL FILTER, SMALL | | | |
| - 17 | 1012124 | 2 | BOLT, 1/4-20 x 1/2" HEX | | | |
| - 18 | 1013630 | 1 | IMPULSE FUEL PUMP | | | |
| - 18A | 1013762 | A/R | IMPULSE FUEL PUMP REBUILD KIT (NOT SHOWN) | | | |
| - 19 | NO # | 1 | LINE, FUEL (13") (SEE ITEM 20) | | | |
| - 20 | 1012293 | A/R | CLEAR FUEL LINE (ORDER BY FEET ONLY) | | | |
| - 21 | 1013692 | A/R | BLACK FUEL LINE (ORDER BY FEET ONLY) | | | |
| - 22 | 1011988 | 2 | SCREW, 1/4-20 x 2" PHILLIPS TRUSS HEAD | | | |
| - 23 | 1014116 | 2 | NUT, 1/4-20 "U" TYPE | | | |
| - 24 | 1013972 | 1 | FRONT FUEL STRAP ASSEMBLY | | | |
| - 25 | 1013975 | 1 | REAR INNER FUEL STRAP ASSEMBLY | | | |
| - 26 | 1013974 | 1 | REAR OUTER FUEL STRAP ASSEMBLY | | | |
| - 27 | 8233 | 2 | NYLON LOCKNUT, 1/4-20 | | | |





2-26A

FIGURE 2-12A. FUEL SYSTEM ASSEMBLY. SEE LIST 2-12A.



FUEL SYSTEM ASSEMBLY

| FIGURE- ITEM NUMBER | PART NUMBER | UNITS PER ASM | DESCRIPTION | | | |
|---------------------------|----------------|---------------------|--|---|---|---|
| | | | 1 | 2 | 3 | 4 |
| 12A - | NO # | 1 | FUEL SYSTEM ASSEMBLY FOR ILLUSTRATION, SEE FIGURE 2-12A | | | |
| - 1 | 1013687 | 1 | CLAMP, HOSE 3/8" | | | |
| - 2 | NO # | 1 | LINE, FUEL, 2-1/4" (SEE ITEM 26) | | | |
| - 3 | 1012649 | 3 | CLAMP, HOSE SINGLE WIRE | | | |
| - 4 | 1014522 | 1 | FUEL FILTER, SECONDARY | | | |
| - 5 | 1013134 | 6 | CLAMP, HOSE (RED) | | | |
| - 6 | NO # | 1 | LINE, FUEL, 18" (SEE ITEM 25) | | | |
| - 7 | 1012124 | 2 | BOLT, 1/4-20 X 1/2" HEX | | | |
| - 8 | 451 | 2 | LOCKWASHER, 1/4" | | | |
| - 9 | 1014523 | 1 | IMPULSE FUEL PUMP | | | |
| - 9A | 1014524 | A/R | IMPULSE FUEL PUMP REBUILD KIT (NOT SHOWN) | | | |
| - 10 | NO # | 1 | LINE, FUEL, 6" (SEE ITEM 25) | | | |
| - 11 | 1013684 | 1 | FUEL FILTER, PRIMARY | | | |
| - 12 | 1012619 | 1 | TUBE, FUEL PICK-UP | | | |
| - 13 | 1011988 | 2 | SCREW, 1/4-20 X 2" PHILLIPS TRUSS HEAD | | | |
| - 14 | 1014116 | 2 | NUT, 1/4-20 "U" TYPE | | | |
| - 15 | 1013972 | 1 | FRONT FUEL STRAP ASSEMBLY | | | |
| - 16 | 1012306 | 1 | CAP, FUEL TANK INCLUDES ITEM 27 | | | |
| - 17 | 1013970 | 1 | FUEL TANK | | | |
| - 18 | 1013975 | 1 | REAR INNER FUEL STRAP ASSEMBLY | | | |
| - 19 | 1013974 | 1 | REAR OUTER FUEL STRAP ASSEMBLY | | | |
| - 20 | 7847 | 2 | HEX HEAD BOLT, 1/4-20 X 3/4" | | | |
| - 21 | 332 | 2 | FLATWASHER, 1/4" | | | |
| - 22 | 8233 | 2 | NYLON LOCKNUT, 1/4-20 | | | |
| - 23 | NO # | 1 | LINE, PULSE (16-1/4") (SEE ITEM 26) | | | |
| - 24 | NO # | 1 | LINE, FUEL (2") (SEE ITEM 25) | | | |
| - 25 | 1012293 | A/R | CLEAR FUEL LINE (ORDER BY FEET ONLY) | | | |
| - 26 | 1013692 | A/R | BLACK FUEL LINE (ORDER BY FEET ONLY) | | | |
| - 27 | 1014535 | 1 | GASKET, FUEL TANK CAP | | | |



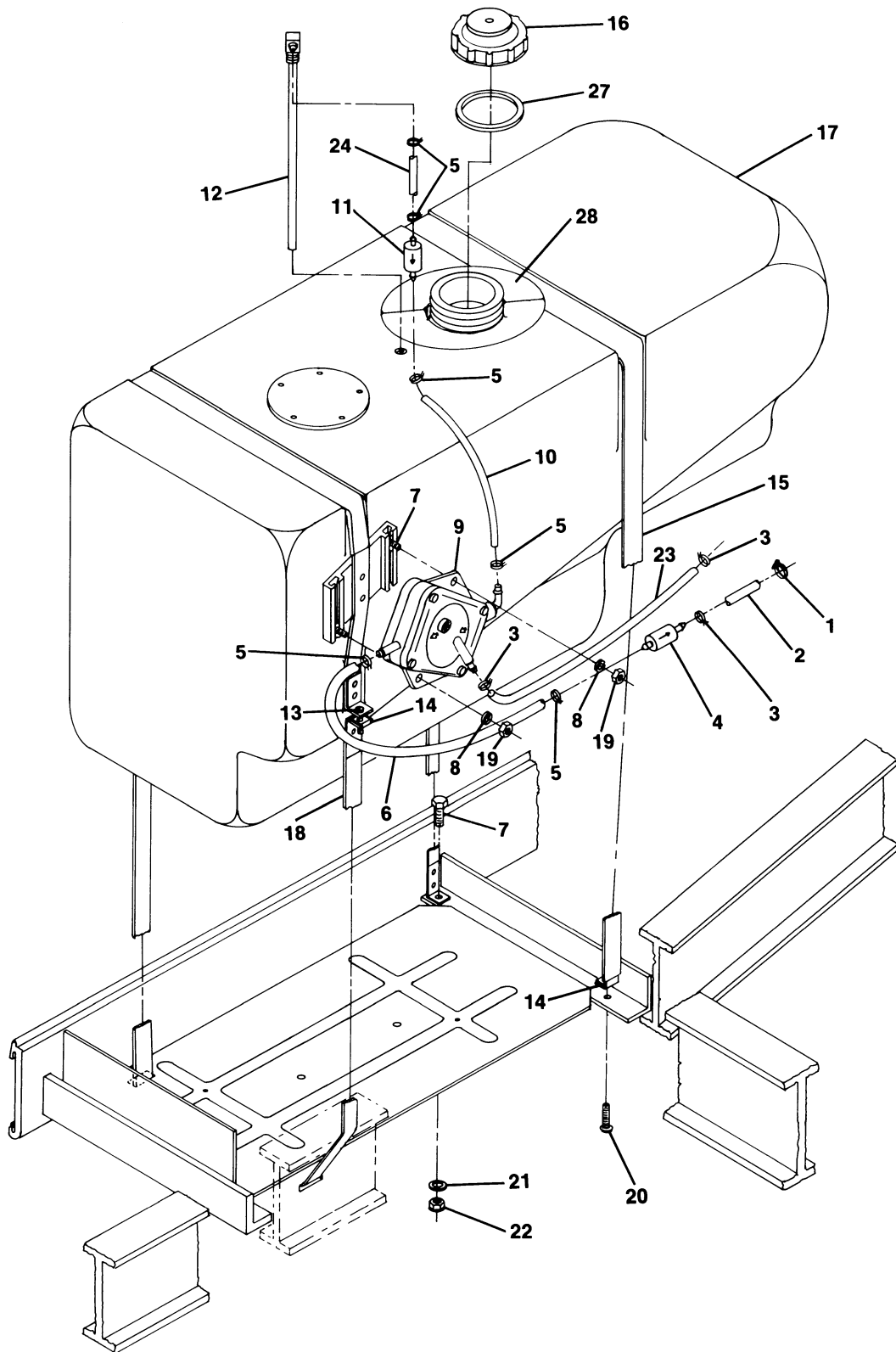


FIGURE 2-12B. FUEL SYSTEM ASSEMBLY. SEE LIST 2-12B.

FUEL SYSTEM ASSEMBLY

| FIGURE- ITEM NUMBER | PART NUMBER | UNITS PER ASM | DESCRIPTION | | | |
|---------------------------|----------------|---------------------|--|---|---|---|
| | | | 1 | 2 | 3 | 4 |
| 12B - | NO # | 1 | FUEL SYSTEM ASSEMBLY FOR ILLUSTRATION, SEE FIGURE 2-12B | | | |
| - 1 | 1013687 | 1 | CLAMP, HOSE 3/8" | | | |
| - 2 | NO # | 1 | LINE, FUEL, (2-1/4") (SEE ITEM 26) | | | |
| - 3 | 1012649 | 3 | CLAMP, HOSE SINGLE WIRE | | | |
| - 4 | 1014522 | 1 | FUEL FILTER, SECONDARY | | | |
| - 5 | 1013134 | 6 | CLAMP, HOSE (RED) | | | |
| - 6 | NO # | 1 | LINE, FUEL, 18" (SEE ITEM 25) | | | |
| - 7 | 7847 | 3 | BOLT, 1/4-20 X 3/4" HEX | | | |
| - 8 | 451 | 2 | LOCKWASHER, 1/4" | | | |
| - 9 | 1014523 | 1 | IMPULSE FUEL PUMP | | | |
| - 9A | 1014524 | A/R | IMPULSE FUEL PUMP REBUILD KIT (NOT SHOWN) | | | |
| - 10 | NO # | 1 | LINE, FUEL, 6" (SEE ITEM 25) | | | |
| - 11 | 1013684 | 1 | FUEL FILTER, PRIMARY | | | |
| - 12 | 1012619 | 1 | TUBE, FUEL PICK-UP | | | |
| - 13 | 1011988 | 2 | SCREW, 1/4-20 X 2" PHILLIPS TRUSS HEAD | | | |
| - 14 | 1014116 | 2 | NUT, 1/4-20 "U" TYPE | | | |
| - 15 | 1014927 | 1 | FRONT FUEL STRAP ASSEMBLY | | | |
| - 16 | 1012306 | 1 | CAP, FUEL TANK INCLUDES ITEM 27 | | | |
| - 17 | 1014499 | 1 | FUEL TANK | | | |
| - 18 | 1014928 | 1 | REAR FUEL STRAP ASSEMBLY | | | |
| - 19 | 1028 | 2 | NUT, 1/4-20 HEX | | | |
| - 20 | 1013176 | 1 | 1/4-20 X 2.50 PHILLIPS TRUSS HEAD SCREW | | | |
| - 21 | 332 | 1 | FLATWASHER, 1/4" | | | |
| - 22 | 8233 | 1 | NYLON LOCKNUT, 1/4-20 | | | |
| - 23 | NO # | 1 | LINE, PULSE (16-1/4") (SEE ITEM 26) | | | |
| - 24 | NO # | 1 | LINE, FUEL (2") (SEE ITEM 25) | | | |
| - 25 | 1012293 | A/R | CLEAR FUEL LINE (ORDER BY FEET ONLY) | | | |
| - 26 | 1013692 | A/R | BLACK FUEL LINE (ORDER BY FEET ONLY) | | | |
| - 27 | 1014535 | 1 | GASKET, FUEL TANK CAP | | | |
| - 28 | 1015216 | 1 | GAS TANK WARNING LABEL | | | |



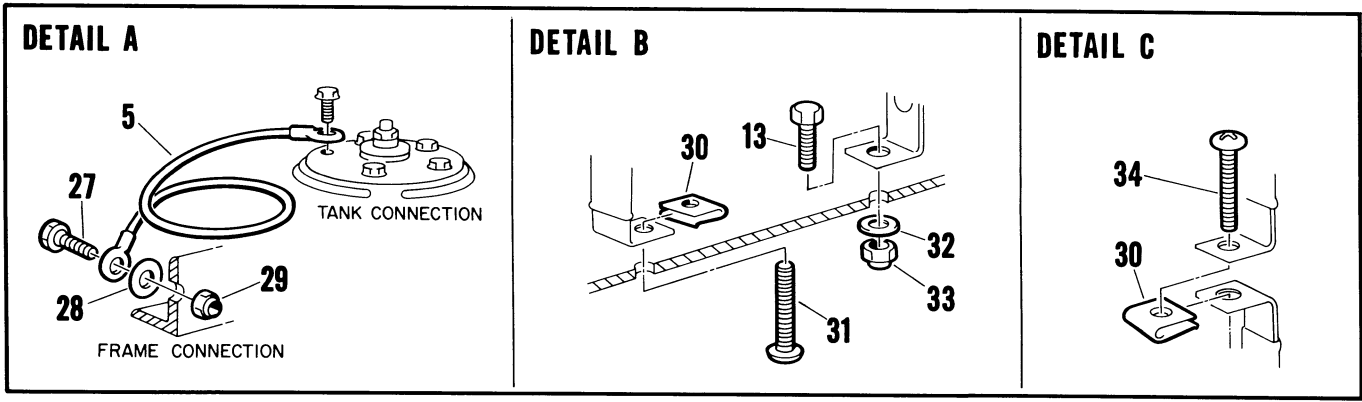
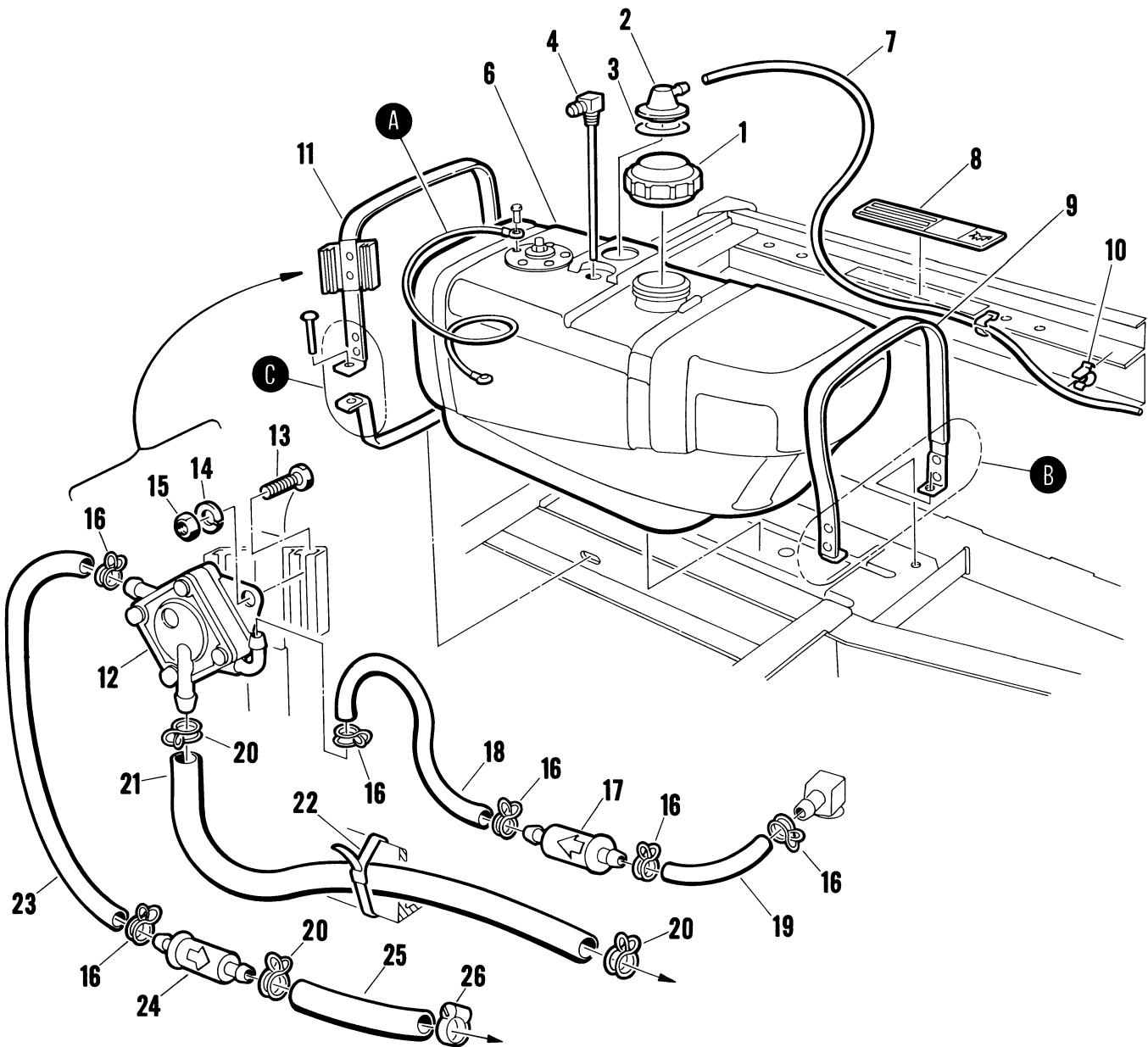


FIGURE 2-12C. FUEL SYSTEM ASSEMBLY. SEE LIST 2-12C.



FUEL SYSTEM ASSEMBLY

| FIGURE- ITEM NUMBER | PART NUMBER | UNITS PER ASM | DESCRIPTION | | | |
|---------------------------|----------------|---------------------|--|---|---|---|
| | | | 1 | 2 | 3 | 4 |
| 12C - | NO # | | FUEL SYSTEM ASSEMBLY FOR ILLUSTRATION, SEE FIGURE 2-12C | | | |
| - 1 | 1015188 | 1 | FUEL TANK CAP | | | |
| - 2 | 1015143 | 1 | FUEL TANK VENT | | | |
| - 3 | 1015139 | 1 | INSULATION GROMMET | | | |
| - 4 | 1012619 | 1 | FUEL PICK-UP TUBE | | | |
| - 5 | 1015921 | 1 | WIRE ASSEMBLY, #18 BLACK | | | |
| - 6 | 1015498 | 1 | FUEL TANK ASSEMBLY INCLUDES ITEMS 1 THRU 5 AND FUEL TANK | | | |
| - 7 | 1015501 | 1 | VENT FUEL LINE, 33" | | | |
| - 8 | 1015476 | 1 | DANGER DECAL | | | |
| - 9 | 1014928 | 1 | REAR FUEL STRAP ASSEMBLY | | | |
| - 10 | 1015502 | 3 | CLIP | | | |
| - 11 | 1014927 | 1 | FRONT FUEL STRAP ASSEMBLY | | | |
| - 12 | 1014523 | 1 | FUEL PUMP | | | |
| - 13 | 7847 | 3 | HEX HEAD BOLT, 1/4-20 X 3/4 | | | |
| - 14 | 451 | 2 | LOCKWASHER, HEL SP, 1/4" DIAMETER | | | |
| - 15 | 1028 | 2 | HEX NUT, 1/4-20 | | | |
| - 16 | 1013134 | 6 | HOSE CLAMP (RED) | | | |
| - 17 | 1013684 | 1 | PRIMARY FUEL FILTER (WHITE) | | | |
| - 18 | NO # | 1 | FUEL LINE, 6" SEE ITEM 35 | | | |
| - 19 | NO # | 1 | FUEL LINE, 2" SEE ITEM 35 | | | |
| - 20 | 1012649 | 3 | HOSE CLAMP | | | |
| - 21 | NO # | 1 | FUEL LINE, 19-1/4" SEE ITEM 36 | | | |
| - 22 | 8639 | 1 | TIE WRAP (IF USED) | | | |
| - 23 | NO # | 1 | FUEL LINE, 22" SEE ITEM 35 | | | |
| - 24 | 1014522 | 1 | SECONDARY FUEL FILTER (BLUE) | | | |
| - 25 | NO # | 1 | FUEL LINE, 2-1/4" SEE ITEM 36 | | | |
| - 26 | 1013687 | 1 | HOSE CLAMP, 3/8" DIAMETER | | | |
| - 27 | 7173 | 1 | HEX HEAD BOLT, 5/16-18 X 3/4 | | | |
| - 28 | 1011578 | 1 | FLATWASHER, 5/16" DIAMETER | | | |
| - 29 | 7473 | 1 | NYLON LOCKNUT, 5/16-18 | | | |
| - 30 | 1014116 | 2 | SPEED NUT, U-TYPE, 1/4-20 | | | |
| - 31 | 1013176 | 1 | PH TR HEAD SCREW, 1/4-20 X 2-1/2 | | | |
| - 32 | 332 | 1 | FLATWASHER, 1/4" DIAMETER | | | |
| - 33 | 8233 | 1 | NYLON LOCKNUT, 1/4-20 | | | |
| - 34 | 1011988 | 1 | PH TR HEAD SCREW, 1/4-20 X 2 | | | |
| - 35 | 1012293 | A/R | FUEL LINE | | | |
| - 36 | 1013692 | A/R | FUEL LINE | | | |
| | 1014968 | | FUEL PUMP AND FILTER ASSEMBLY INCLUDES ITEMS 12, 16 THRU 21, AND 23 THRU 26 | | | |





Section III

SUSPENSION AND STEERING GROUP

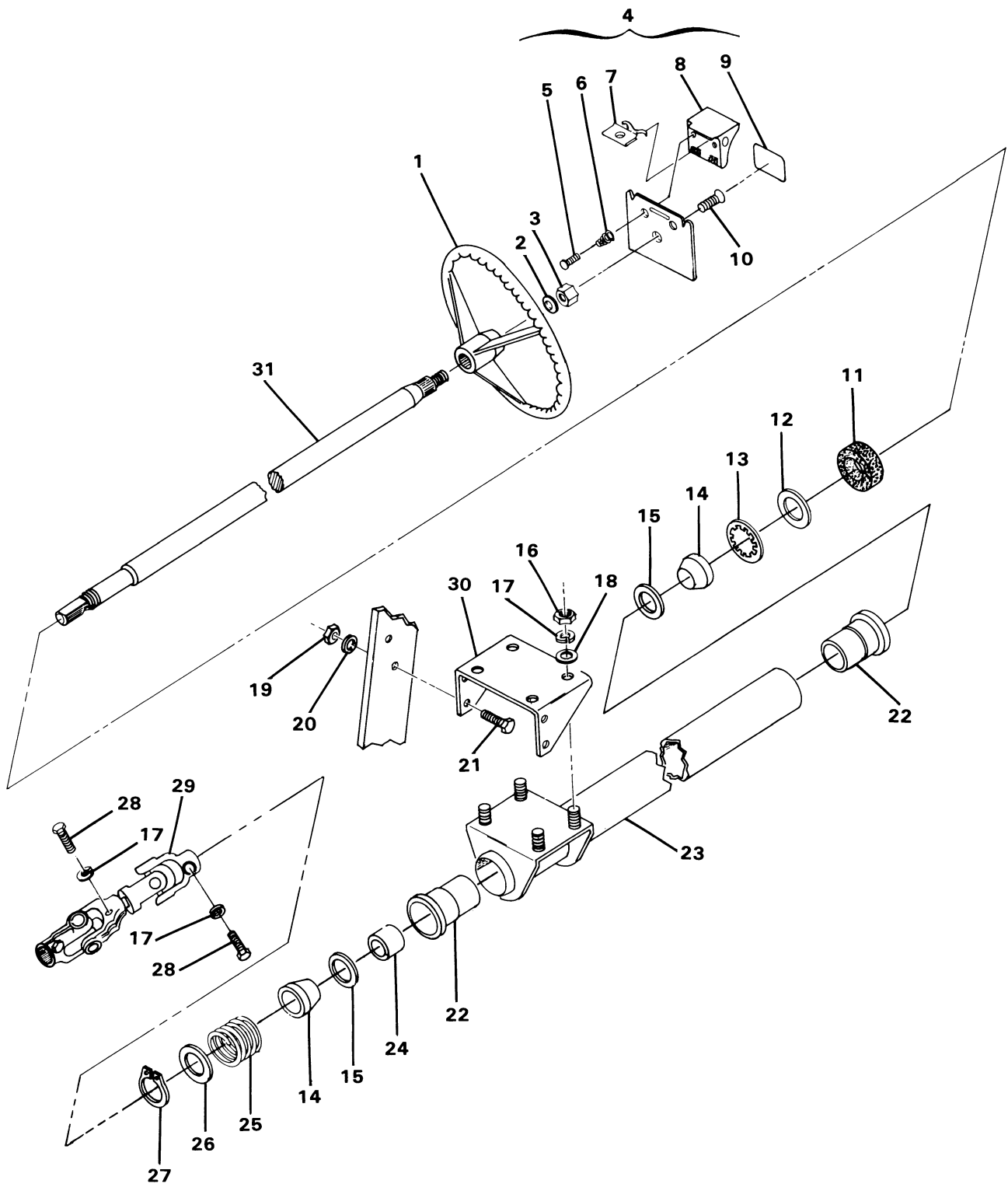


FIGURE 3-1. STEERING COLUMN ASSEMBLY. SEE LIST 3-1.

STEERING COLUMN ASSEMBLY

| FIGURE- ITEM NUMBER | PART NUMBER | UNITS PER ASM | DESCRIPTION | | | |
|---------------------------|----------------|---------------------|---|---|---|---|
| | | | 1 | 2 | 3 | 4 |
| 1 - | NO # | 1 | STEERING COLUMN ASSEMBLY FOR ILLUSTRATION, SEE FIGURE 3-1 | | | |
| - 1 | 1012569 | 1 | WHEEL, STEERING | | | |
| - 2 | 1010193 | 1 | FLATWASHER, 5/8" | | | |
| - 3 | 7209 | 1 | NUT, SCORECARD | | | |
| - 4 | 1013434 | 1 | SCORECARD KIT INCLUDES ITEMS 5 THRU 9 | | | |
| - 5 | 1012565 | 2 | SCREW, PHILLIPS PAN HEAD, TAPPING | | | |
| - 6 | 1012566 | 2 | SPRING, COMPRESSION | | | |
| - 7 | 1014260 | 1 | CLIP-PENCIL HOLDER | | | |
| - 8 | 1012504 | 1 | PENCIL HOLDER | | | |
| - 9 | 1013389 | 1 | OPERATING INSTRUCTIONS DECAL | | | |
| - 10 | 7216 | 1 | SCREW, FLAT HEAD 5/16-18 | | | |
| - 11 | 1012466 | 1 | COVER, DUST | | | |
| - 12 | 1014211 | 1 | SEAL BEARING | | | |
| - 13 | 1014214 | 1 | RING, RETAINING | | | |
| - 14 | 1014125 | 2 | WEDGE | | | |
| - 15 | 1014213 | 2 | BEARING | | | |
| - 16 | 1012528 | 4 | NUT, 8MM X 1-1/4" | | | |
| - 17 | 7174 | 6 | LOCKWASHER, 5/16" | | | |
| - 18 | 1241 | 4 | FLATWASHER, 5/16" | | | |
| - 19 | 8754 | 4 | LOCKNUT, 3/8-16 | | | |
| - 20 | 334 | 4 | FLATWASHER, 3/8" | | | |
| - 21 | 320 | 4 | BOLT, HEX, 3/8-16 | | | |
| - 22 | 1014126 | 2 | BEARING SEAT | | | |
| - 23 | 1012603 | 1 | COLUMN WELD ASSEMBLY | | | |
| - 24 | 1014212 | 1 | SPACER | | | |
| - 25 | 1014217 | 1 | SPRING | | | |
| - 26 | 1012604 | 1 | WASHER | | | |
| - 27 | 1012605 | 1 | SNAP RING | | | |
| - 28 | 1012830 | 2 | BOLT, HEX, 8MM | | | |
| - 29 | 1013861 | 1 | JOINT YOKE COMPOUND STEERING INCLUDES ITEMS 17 AND 28 | | | |
| - 30 | 1013922 | 1 | PLATE, STEERING MOUNTING | | | |
| - 31 | NO # | 1 | SHAFT (SEE ITEM 32) | | | |
| - 32 | 1014268 | 1 | STEERING COLUMN AND MOUNTING PLATE ASSEMBLY INCLUDES ITEMS 11 THRU 18, 22 THRU 27, 30 AND 31 | | | |
| - 33 | 1014216 | A/R | STEERING COLUMN REBUILT KIT INCLUDES ITEMS 11 THRU 15, 22, 24 AND 25 | | | |



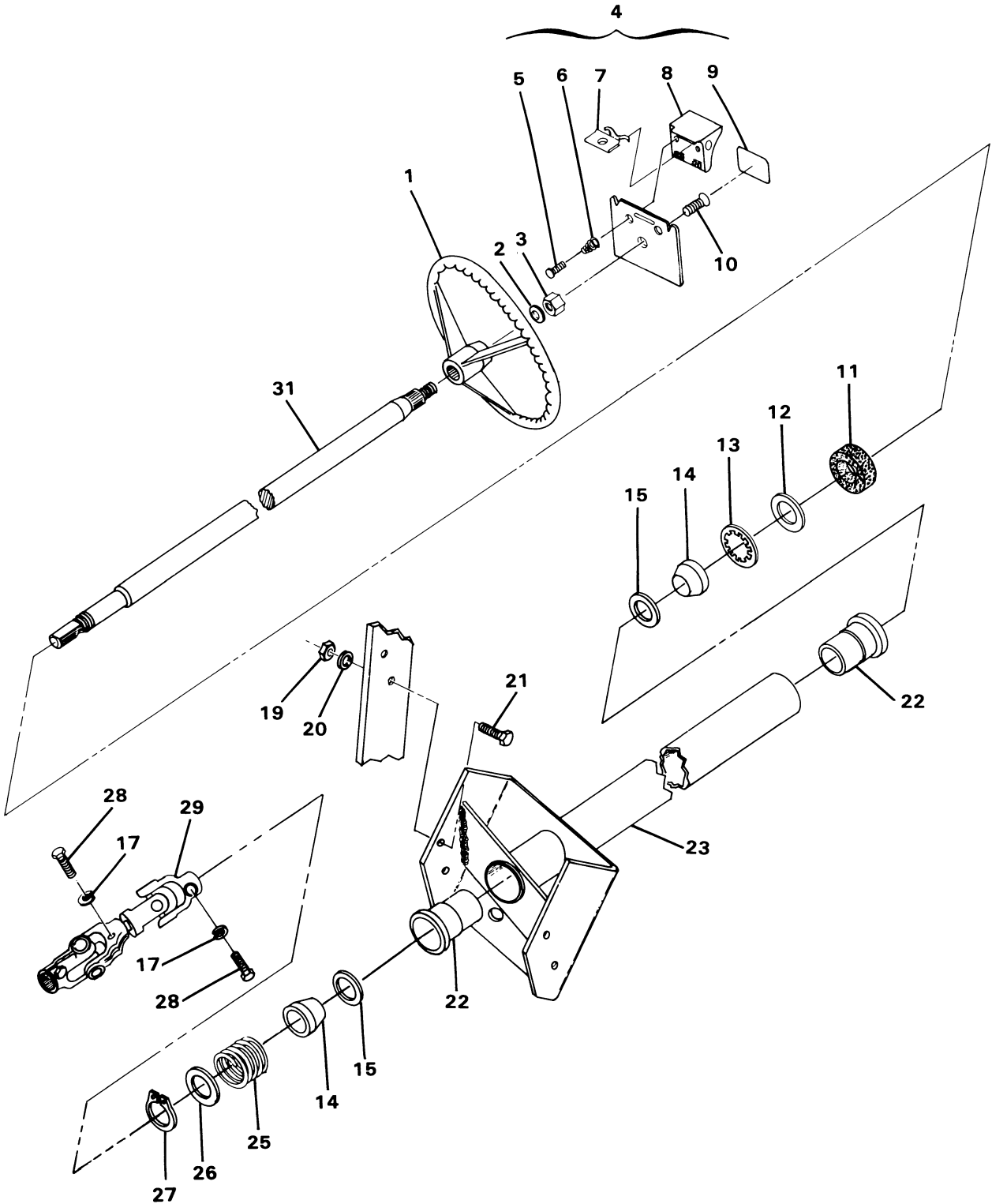


FIGURE 3-1A. STEERING COLUMN ASSEMBLY. SEE LIST 3-1A.

STEERING COLUMN ASSEMBLY

| FIGURE- ITEM NUMBER | PART NUMBER | UNITS PER ASM | DESCRIPTION | | | |
|---------------------------|----------------|---------------------|---|---|---|---|
| | | | 1 | 2 | 3 | 4 |
| 1A - | NO # | 1 | STEERING COLUMN ASSEMBLY | | | |
| | | | FOR ILLUSTRATION, SEE FIGURE 3-1A | | | |
| - 1 | 1012569 | 1 | WHEEL, STEERING | | | |
| - 2 | 1010193 | 1 | FLATWASHER, 5/8" | | | |
| - 3 | 7209 | 1 | NUT, SCORECARD | | | |
| - 4 | 1013434 | 1 | SCORECARD KIT | | | |
| | | | INCLUDES ITEMS 5 THRU 9 | | | |
| - 5 | 1012565 | 2 | SCREW, PHILLIPS PAN HEAD, TAPPING | | | |
| - 6 | 1012566 | 2 | SPRING, COMPRESSION | | | |
| - 7 | 1014260 | 1 | CLIP-PENCIL HOLDER | | | |
| - 8 | 1012504 | 1 | PENCIL HOLDER | | | |
| - 9 | 1013389 | 1 | OPERATING INSTRUCTIONS DECAL | | | |
| - 10 | 7216 | 1 | SCREW, FLAT HEAD 5/16-18 | | | |
| - 11 | 1012466 | 1 | COVER, DUST | | | |
| - 12 | 1014211 | 1 | SEAL BEARING | | | |
| - 13 | 1014214 | 1 | RING, RETAINING | | | |
| - 14 | 1014125 | 2 | WEDGE | | | |
| - 15 | 1014213 | 2 | BEARING | | | |
| - 17 | 7174 | 2 | LOCKWASHER, 5/16" | | | |
| - 19 | 8754 | 4 | LOCKNUT, 3/8-16 | | | |
| - 20 | 334 | 4 | FLATWASHER, 3/8" | | | |
| - 21 | 320 | 4 | BOLT, HEX, 3/8-16 | | | |
| - 22 | 1014126 | 2 | BEARING SEAT | | | |
| - 23 | NO # | 1 | COLUMN WELD ASSEMBLY | | | |
| - 25 | 1014217 | 1 | SPRING | | | |
| - 26 | 1012604 | 1 | WASHER | | | |
| - 27 | 1012605 | 1 | SNAP RING | | | |
| - 28 | 1012830 | 2 | BOLT, HEX, 8MM | | | |
| - 29 | 1013861 | 1 | JOINT YOKE COMPOUND STEERING | | | |
| | | | INCLUDES ITEMS 17 AND 28 | | | |
| - 31 | NO # | 1 | SHAFT (SEE ITEM 32) | | | |
| - 32 | 1014268 | 1 | STEERING COLUMN ASSEMBLY | | | |
| | | | INCLUDES ITEMS 11 THRU 15, 22 THRU 27, AND 31 | | | |
| - 33 | 1014216 | A/R | STEERING COLUMN REBUILT KIT | | | |
| | | | INCLUDES ITEMS 11 THRU 15, 22, 24 AND 25 | | | |



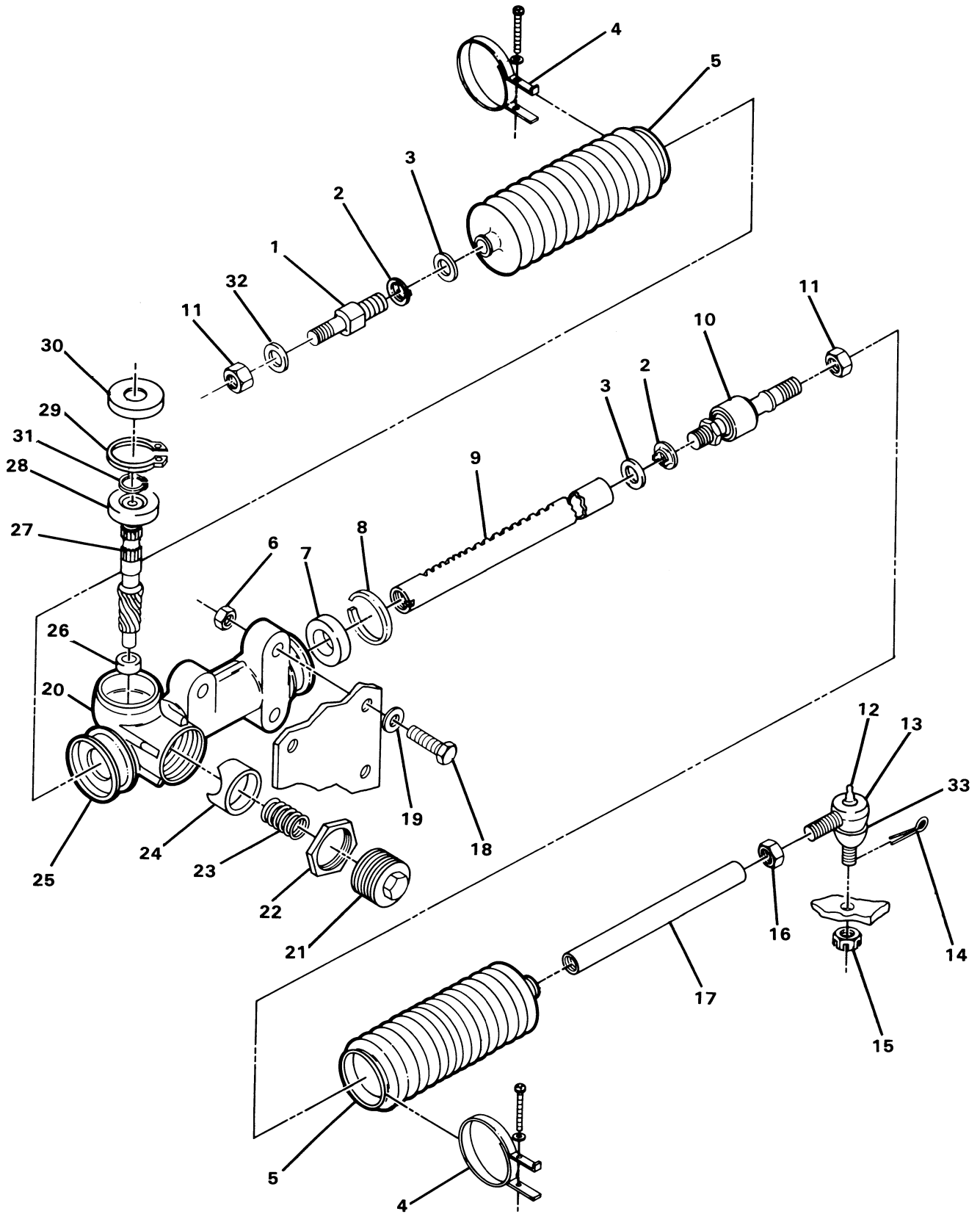


FIGURE 3-1. STEERING ASSEMBLY. SEE LIST 3-1.

STEERING ASSEMBLY

| FIGURE- ITEM NUMBER | PART NUMBER | UNITS PER ASM | DESCRIPTION | | | |
|---------------------------|----------------|---------------------|---|---|---|---|
| | | | 1 | 2 | 3 | 4 |
| 1 - | NO # | 1 | STEERING ASSEMBLY FOR ILLUSTRATION, SEE FIGURE 3-1 | | | |
| - 1 | 1013053 | 1 | BOLT, STOPPER, 12MM | | | |
| - 2 | 1013040 | 2 | LOCKWASHER, TIE ROD | | | |
| - 3 | 1013039 | 2 | WASHER, TIE ROD STOPPER | | | |
| - 4 | 1013034 | 2 | BAND, BELLOWS | | | |
| - 5 | 1013035 | 2 | SEAL, DUST | | | |
| - 6 | 1010138 | 3 | LOCKNUT, 3/8-16 | | | |
| - 7 | 1013036 | 1 | BUSHING, RACK | | | |
| - 8 | 1013037 | 1 | RING, SNAP | | | |
| - 9 | NO # | 1 | RACK, STEERING (SEE ITEM 20) | | | |
| - 10 | 1013041 | 1 | END, RACK | | | |
| - 11 | 1013042 | 2 | NUT, HEX, 12MM | | | |
| - 12 | 1010116 | 1 | FITTING, GREASE | | | |
| - 13 | 7540 | 1 | SOCKET, VERTICAL, LEFT HAND INCLUDES ITEMS 12 AND 15 | | | |
| - 14 | 1035 | 1 | PIN, COTTER | | | |
| - 15 | 7602 | 1 | NUT, HEX, SLOTTED, 3/8-24 | | | |
| - 16 | 7555 | 1 | NUT, LEFT HAND, JAM, 1/2-20 | | | |
| - 17 | 1012467 | 1 | LINK, DRAG | | | |
| - 18 | 1624 | 3 | BOLT, HEX, 3/8-16 | | | |
| - 19 | 334 | 3 | FLATWASHER, 3/8 | | | |
| - 20 | 1012452 | 1 | STEERING GEAR BOX ASSEMBLY INCLUDES ITEMS 1 THRU 5, 7 THRU 11 AND 21 THRU 30 | | | |
| - 21 | 1013043 | 1 | SCREW, RACK GUIDE | | | |
| - 22 | 1013044 | 1 | LOCKNUT, RACK SCREW | | | |
| - 23 | 1013045 | 1 | SPRING, RACK GUIDE PRESSURE | | | |
| - 24 | 1013046 | 1 | GUIDE, STEERING RACK | | | |
| - 25 | 1013047 | 1 | BOX, STEERING GEAR | | | |
| - 26 | 1013048 | 1 | BUSHING, PINION | | | |
| - 27 | NO # | 1 | PINION, STEERING (SEE ITEM 20) | | | |
| - 28 | 1012884 | 1 | BALL BEARING | | | |
| - 29 | 1013051 | 1 | RING-RETAINING, INTERNAL | | | |
| - 30 | 1013052 | 1 | DUST SEAL, STEERING PINION | | | |
| - 31 | 1013031 | 1 | RING-RETAINING, EXTERNAL | | | |
| - 32 | 1013030 | 1 | WASHER, END | | | |
| - 33 | 1011930 | 1 | DUST SEAL | | | |



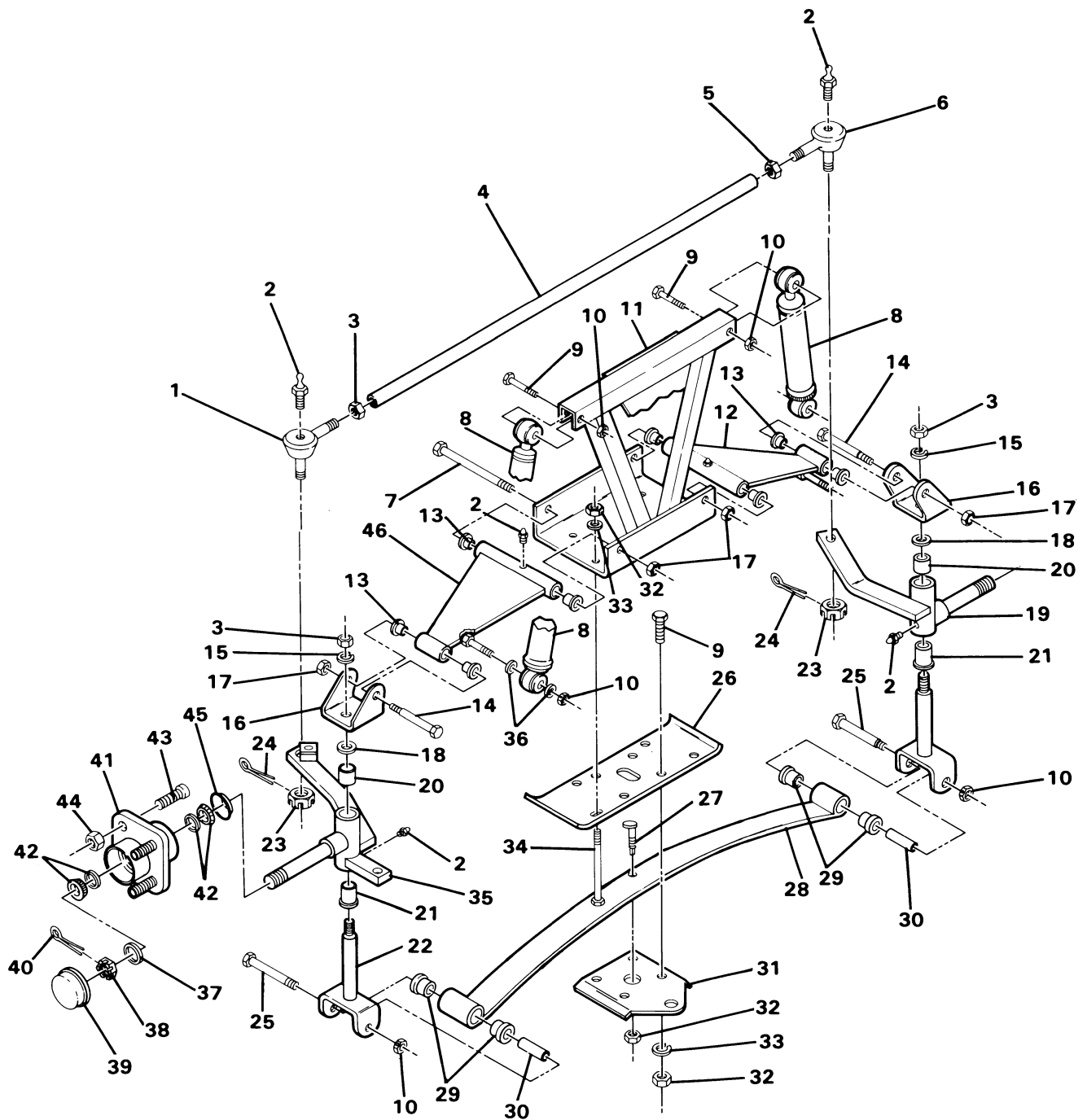


FIGURE 3-2. FRONT SUSPENSION ASSEMBLY. SEE LIST 3-2.

FRONT SUSPENSION ASSEMBLY

| FIGURE- ITEM NUMBER | PART NUMBER | UNITS PER ASM | DESCRIPTION | | | |
|---------------------------|----------------|---------------------|--------------------------------------|---|---|---|
| | | | 1 | 2 | 3 | 4 |
| 2 - | NO # | 1 | FRONT SUSPENSION ASSEMBLY | | | |
| - 1 | 7539 | 1 | FOR ILLUSTRATION, SEE FIGURE 3-2 | | | |
| - 2 | 1015597 | 5 | JOINT, RIGHT HAND BALL | | | |
| - 3 | 1308 | 3 | INCLUDES ITEM 23 | | | |
| - 4 | 1010219 | 1 | 1/4-28 THREAD FORMING GREASE FITTING | | | |
| - 5 | 7555 | 1 | NUT, 1/2-20 HEX | | | |
| - 6 | 7540 | 1 | ROD, TIE | | | |
| - 7 | 1010126 | 2 | NUT, 1/2-20 LEFT HAND HEX | | | |
| - 8 | 1014233 | 2 | JOINT, LEFT HAND BALL | | | |
| - 9 | 1624 | 6 | INCLUDES ITEM 23 | | | |
| - 10 | 1010138 | 6 | BOLT, 3/8-16 SHOULDER HEX | | | |
| - 11 | 1012496 | 1 | ABSORBER, SHOCK | | | |
| - 12 | 1015589 | 1 | BOLT, 3/8-16 HEX | | | |
| - 13 | 7719 | 4 | LOCKNUT, 3/8-16 | | | |
| - 14 | 1010125 | 2 | SHOCK SUPPORT WELD ASSEMBLY | | | |
| - 15 | 209 | 2 | "A" PLATE SUBASSEMBLY (LEFT HAND) | | | |
| - 16 | 1010117 | 2 | INCLUDES ITEMS 2 AND 13 | | | |
| - 17 | 8754 | 4 | BUSHING, BRONZE | | | |
| - 18 | 1010150 | 2 | BOLT, 3/8-16 SHOULDER HEX | | | |
| - 19 | 1010348 | 1 | LOCKWASHER, 1/2 | | | |
| - 20 | 8067 | 2 | CLEVIS, UPPER | | | |
| - 21 | 7048 | 2 | LOCKNUT, 3/8-16 NYLON | | | |
| - 22 | 1010121 | 2 | WASHER, THRUST | | | |
| - 23 | 7602 | 2 | SPINDLE LEFT HAND ASSEMBLY | | | |
| - 24 | 1035 | 2 | INCLUDES ITEMS 2, 20, AND 21 | | | |
| - 25 | 8755 | 2 | BUSHING, SPINDLE | | | |
| - 26 | 1010124 | 1 | BUSHING, 3/4 BRONZE | | | |
| - 27 | 8745 | 1 | KING PIN ASSEMBLY | | | |
| - 28 | 1013867 | 1 | NUT, 3/8-24 SLOTTED HEX | | | |
| - 29 | 1015583 | 4 | PIN, COTTER 3/32 X 1" | | | |
| - 30 | 1012303 | 2 | BOLT, 3/8-16 HEX | | | |
| - 31 | 1014276 | 1 | PLATE, FRONT SPRING MOUNTING | | | |
| - 32 | 706 | 9 | ADJUSTER, FRONT SPRING ECCENTRIC | | | |
| - 33 | 357 | 8 | SPRING, FRONT | | | |
| - 34 | 1010200 | 4 | INCLUDES ITEMS 27 AND 32 | | | |
| - 35 | 1010347 | 1 | BUSHING, URETHANE | | | |
| - 36 | 334 | 4 | BUSHING, 3/8 STEEL | | | |
| - 37 | 1010005 | 2 | PLATE, FRONT SPRING RETAINER | | | |
| - 38 | 7840 | 2 | NUT, 3/8-16 HEX | | | |
| - 39 | 1011887 | 2 | LOCKWASHER, 3/8 | | | |
| - 40 | 7910 | 2 | BOLT, 3/8-16 | | | |
| - 41 | 1011894 | 2 | SPINDLE RIGHT HAND ASSEMBLY | | | |
| - 42 | 1011393 | 4 | INCLUDES ITEMS 2, 20 AND 21 | | | |
| - 43 | 1011304 | 8 | FLATWASHER, 3/8 | | | |
| - 44 | 1011390 | 8 | FLATWASHER, SPECIAL | | | |
| - 45 | 1013135 | 2 | NUT, 3/4-16 SLOTTED HEX | | | |
| - 46 | 1015586 | 1 | COVER, DUST | | | |
| | | | PIN, COTTER 5/32 X 1" | | | |
| | | | HUB ASSEMBLY | | | |
| | | | INCLUDES ITEMS 42 AND 43 | | | |
| | | | BEARING, HUB PACKAGE (2 PIECES) | | | |
| | | | STUD, LUG | | | |
| | | | NUT, LUG | | | |
| | | | SEAL, DUST | | | |
| | | | "A" PLATE ASSEMBLY, RIGHT HAND | | | |
| | | | INCLUDES ITEMS 2, 13 AND 29 | | | |



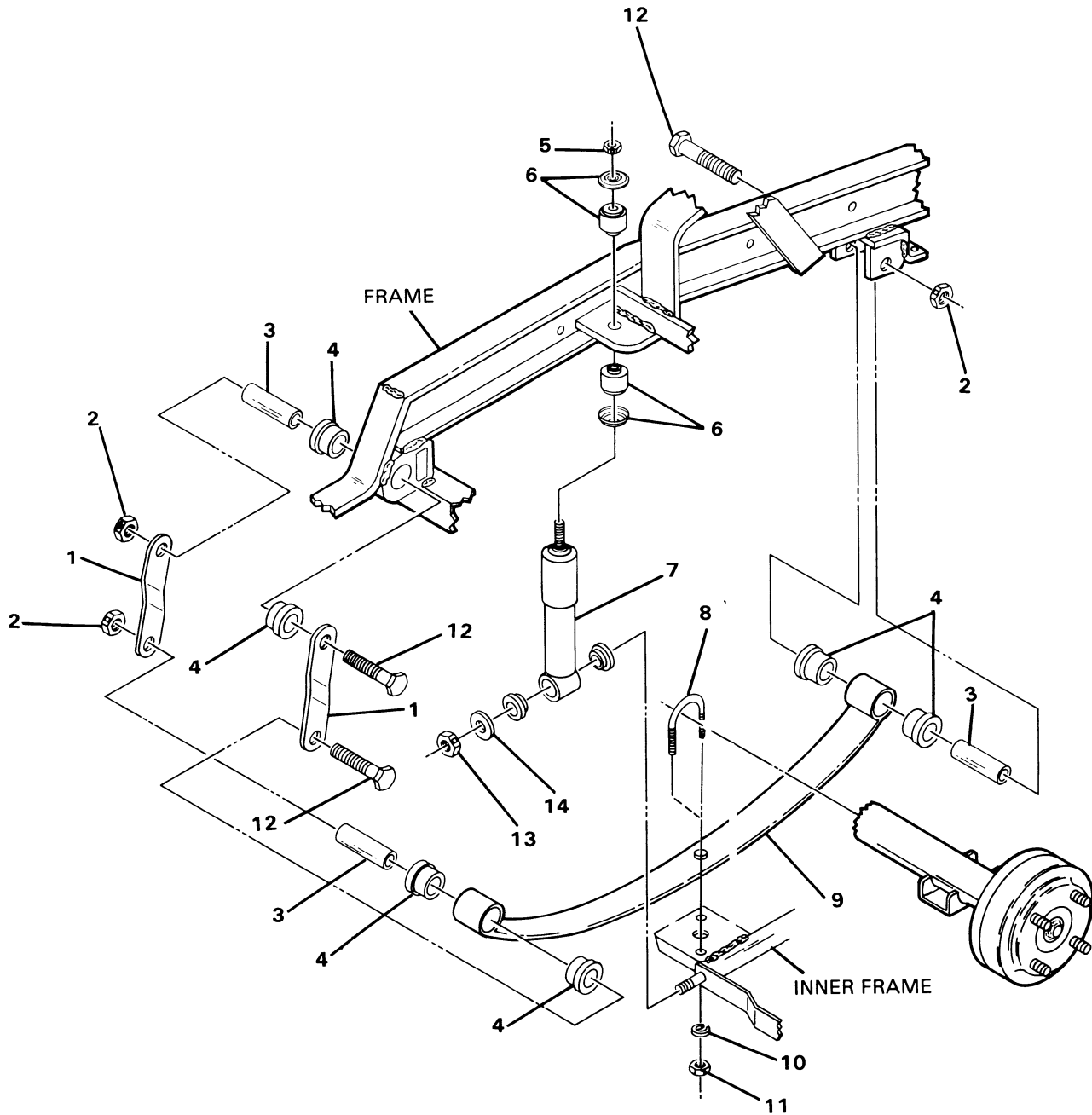


FIGURE 3-3. REAR SUSPENSION ASSEMBLY. SEE LIST 3-3.

REAR SUSPENSION ASSEMBLY

| FIGURE- ITEM NUMBER | PART NUMBER | UNITS PER ASM | DESCRIPTION | | | |
|---------------------------|----------------|---------------------|--|---|---|---|
| | | | 1 | 2 | 3 | 4 |
| 3 - | NO # | 1 | REAR SUSPENSION ASSEMBLY FOR ILLUSTRATION, SEE FIGURE 3-3 | | | |
| - 1 | 1012304 | 4 | REAR SPRING SHACKLE | | | |
| - 2 | 1010138 | 6 | DIMPLED LOCKNUT, 3/8-16 UNC | | | |
| - 3 | 1012303 | 4 | STEEL BUSHING | | | |
| - 4 | 1015583 | 12 | URETHANE BUSHING | | | |
| - 5 | 1010145 | 2 | NUT, 3/8-24 UNC HEX | | | |
| - 6 | 1011415 | 2 | SHOCK ABSORBER CUSHION KIT | | | |
| - 7 | 1012781 | 1 | SHOCK ABSORBER KIT INCLUDES ITEM 6 | | | |
| - 8 | 1012180 | 2 | "U" BOLT | | | |
| - 9 | 1012324 | 2 | REAR SPRING | | | |
| - 10 | 357 | 4 | LOCKWASHER, 3/8 | | | |
| - 11 | 706 | 8 | NUT, 3/8-16 UNC HEX | | | |
| - 12 | 8755 | 6 | BOLT, HEX, 3/8-16 UNC X 3-3/8" | | | |
| - 13 | 1010188 | 2 | DIMPLED LOCKNUT, 5/8-11 | | | |
| - 14 | 1010193 | 2 | FLATWASHER, 5/8 | | | |





Section IV

BRAKE SYSTEM AND PEDAL GROUP

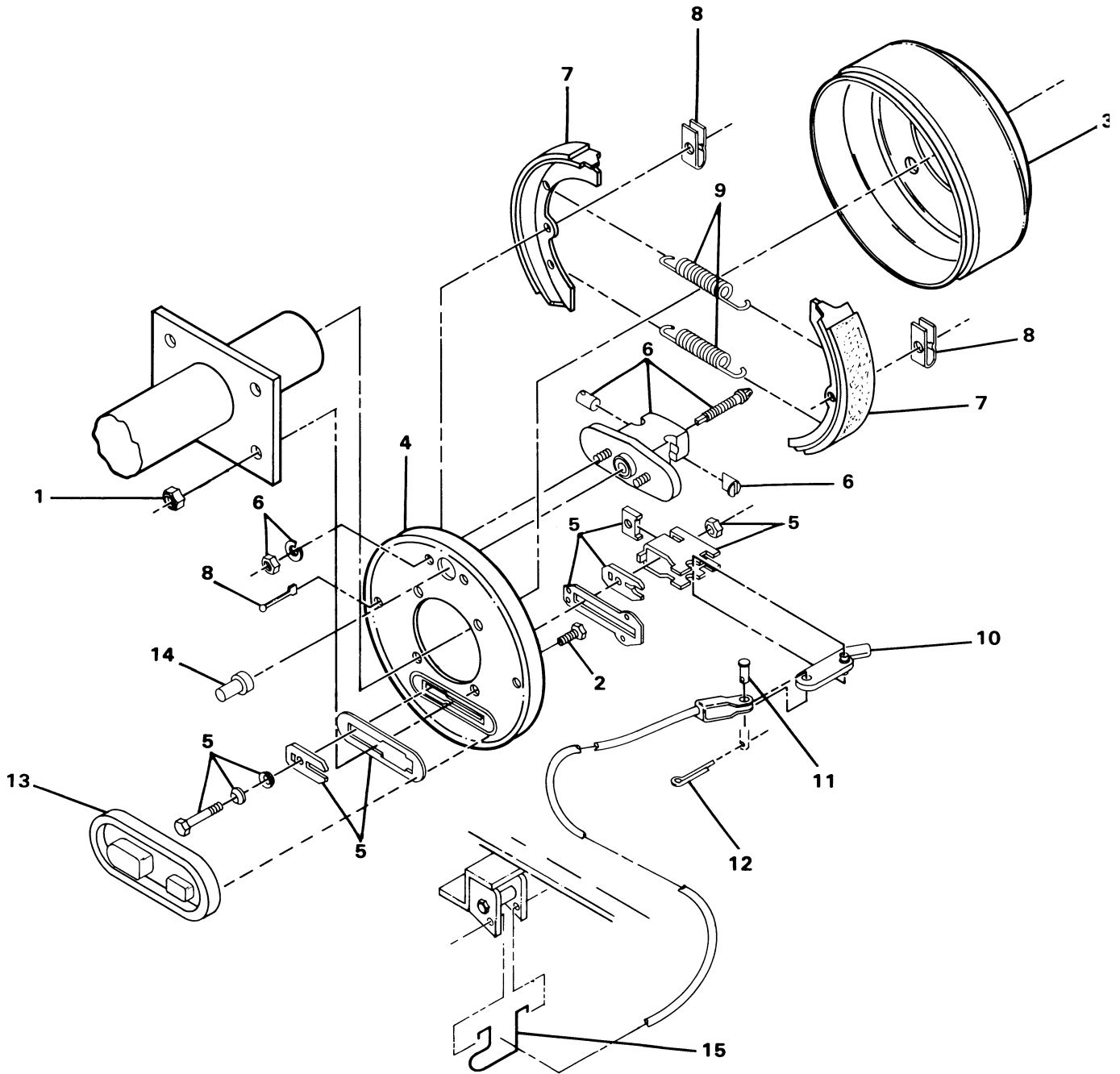


FIGURE 4-1. BRAKE CLUSTER, RIGHT HAND AND LEFT HAND. SEE LIST 4-1.

BRAKE CLUSTER, RIGHT HAND AND LEFT HAND

| FIGURE- ITEM NUMBER | PART NUMBER | UNITS PER ASM | DESCRIPTION | | | |
|---------------------------|----------------|---------------------|---|---|---|---|
| | | | 1 | 2 | 3 | 4 |
| 1 - | 1011145 | 1 | RIGHT HAND BRAKE CLUSTER COMPLETE INCLUDES ITEMS 4 THRU 14 | | | |
| | 1011146 | 1 | LEFT HAND BRAKE CLUSTER COMPLETE INCLUDES ITEMS 4 THRU 14 FOR ILLUSTRATION SEE FIGURE 4-1 | | | |
| - 1 | 1013924 | 8 | LOCKNUT, 5/16-24, GRADE 8 | | | |
| - 2 | 1013923 | 8 | BOLT, HEX HEAD, 5/16-24, GRADE 8 (FOR CARS WITH DRIVE UNIT SERIAL NO. 6100217 AND EARLIER) | | | |
| - 2 | 1014153 | 8 | BOLT, BRAKE CLUSTER MOUNTING (FOR CARS WITH DRIVE UNIT SERIAL NO. 6100218 AND LATER) | | | |
| - 3 | 1011137 | 2 | DRUM, BRAKE | | | |
| - 4 | 1011494 | 1 | PLATE BACKING, LEFT HAND | | | |
| - 4 | 1011154 | 1 | PLATE BACKING, RIGHT HAND | | | |
| - 5 | 1011465 | 1 | BRAKE ACTUATOR KIT | | | |
| - 6 | 1011467 | 1 | ANCHOR BODY KIT INCLUDES ITEM 16 | | | |
| - 7 | 1011463 | 1 | BRAKE SHOE PACKAGE (4 PIECES) | | | |
| - 8 | 1011466 | 1 | SHOE RETAINER KIT | | | |
| - 9 | 1011464 | 1 | BRAKE SPRING PACKAGE | | | |
| - 10 | 1011297 | 2 | ARM, BRAKE LEVER | | | |
| - 11 | 1010829 | 2 | PIN, 5/16" CLEVIS | | | |
| - 12 | 1035 | 2 | PIN, COTTER | | | |
| - 13 | 1010850 | 2 | COVER, DUST | | | |
| - 14 | 1011303 | 2 | CAP, ADJUSTMENT BOLT | | | |
| - 15 | 1013207 | 2 | BRAKE CABLE HANGER | | | |



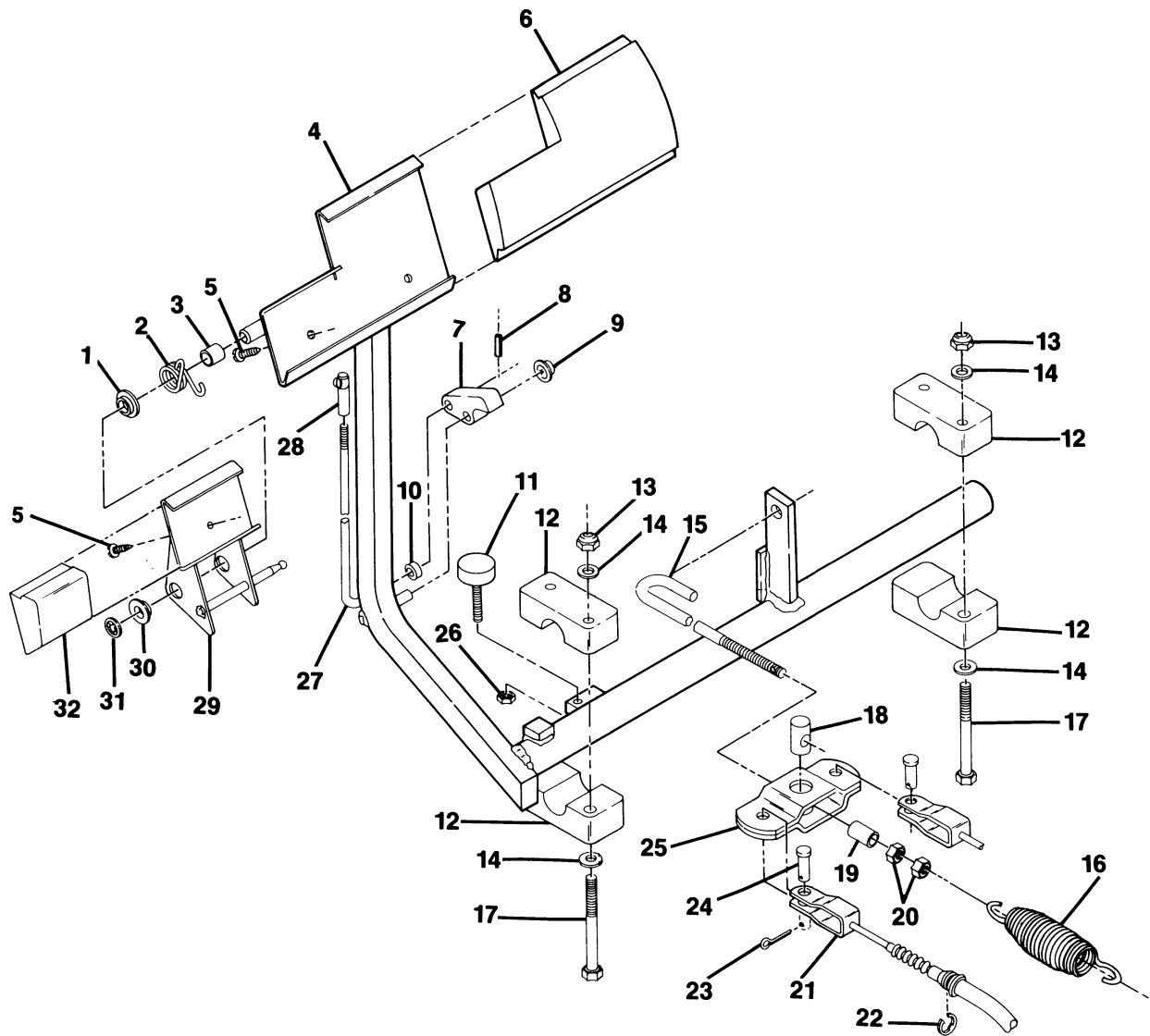


FIGURE 4-2. BRAKE PEDAL AND CABLE ASSEMBLY. SEE LIST 4-2.

BRAKE PEDAL AND CABLE ASSEMBLY

| FIGURE- ITEM NUMBER | PART NUMBER | UNITS PER ASM | DESCRIPTION | | | |
|---------------------------|----------------|---------------------|---|---|---|---|
| | | | 1 | 2 | 3 | 4 |
| 2 - | NO # | 1 | BRAKE PEDAL AND CABLE ASSEMBLY FOR ILLUSTRATION SEE FIGURE 4-2 | | | |
| - 1 | 1032 | 2 | NYLON BUSHING | | | |
| - 2 | 1010933 | 1 | TORSION SPRING | | | |
| - 3 | 1010927 | 1 | HILL BRAKE SPACER | | | |
| - 4 | 1011406 | 1 | BRAKE PEDAL KIT INCLUDES ITEMS 5 & 6 | | | |
| - 5 | 7716 | 6 | SCREW, NO. 10-16 SHEET METAL | | | |
| - 6 | 1013869 | 1 | BRAKE PEDAL PAD | | | |
| - 7 | 1016173 | 1 | HILL BRAKE ROD AND PAWL KIT INCLUDES ITEMS 7 8, 9, 10 AND 27 | | | |
| - 8 | 1013591 | 1 | 1/8" ROLL PIN | | | |
| - 9 | 1010877 | 1 | NUT, 5/16 PUSH | | | |
| - 10 | 1010805 | 1 | HILL BRAKE ROD SLEEVE | | | |
| - 11 | 1010878 | 1 | BRAKE STOP | | | |
| - 12 | 1011402 | 1 | BRAKE MOUNTING BLOCK PACKAGE | | | |
| - 13 | 7473 | 4 | NUT, 5/16-18 NYLON LOCK | | | |
| - 14 | 1241 | 8 | WASHER, 5/16 FLAT | | | |
| - 15 | 1010808 | 1 | EQUALIZER ROD | | | |
| - 16 | 1013532 | 1 | SPRING, BRAKE RETURN TORSION | | | |
| - 17 | 1010921 | 4 | BOLT, 5/16-18 HEX | | | |
| - 18 | 1010814 | 1 | PIN, EQUALIZER PIVOT | | | |
| - 19 | 1013855 | 1 | SPACER EQUALIZER | | | |
| - 20 | 1242 | 2 | NUT, 5/16-18 HEX | | | |
| - 21 | 1011403 | 2 | BRAKE CABLE KIT INCLUDES ITEMS 22, 23, 24 | | | |
| - 22 | 1011779 | 4 | RING, "E" | | | |
| - 23 | 1035 | 2 | PIN, COTTER | | | |
| - 24 | 1010829 | 2 | PIN, 5/16 CLEVIS | | | |
| - 25 | 1010809 | 1 | EQUALIZER WELD ASSEMBLY | | | |
| - 26 | 1028 | 1 | NUT, 1/4-20 HEX | | | |
| - 27 | 1010804 | 1 | ROD, HILL BRAKE | | | |
| - 28 | 1010932 | 1 | BALL JOINT, 1/4-28 | | | |
| - 29 | 1011418 | 1 | HILL BRAKE KIT INCLUDES ITEMS 1, 5, 29, 30, 31 | | | |
| - 30 | 1013876 | 1 | NUT, 3/8 PUSH | | | |
| - 31 | 1013870 | 1 | PAD, HILL BRAKE | | | |



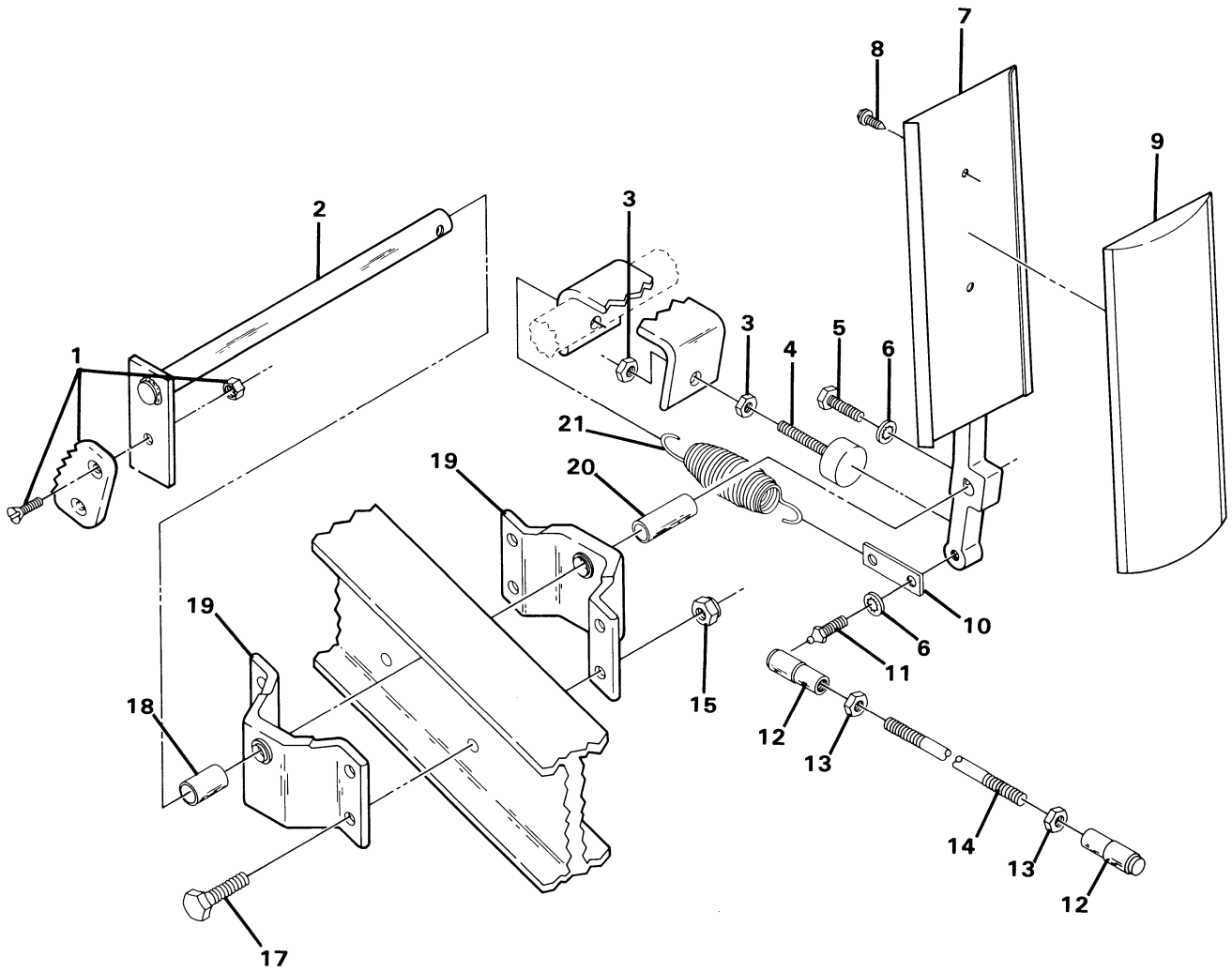


FIGURE 4-3. ACCELERATOR PEDAL ASSEMBLY. SEE LIST 4-3.

ACCELERATOR PEDAL ASSEMBLY

| FIGURE- ITEM NUMBER | PART NUMBER | UNITS PER ASM | DESCRIPTION | | | |
|---------------------------|----------------|---------------------|---|---|---|---|
| | | | 1 | 2 | 3 | 4 |
| 3 - | NO # | 1 | ACCELERATOR PEDAL ASSEMBLY FOR ILLUSTRATION SEE FIGURE 4-3 | | | |
| - 1 | 1011877 | 1 | LATCH, HILL BRAKE | | | |
| - 2 | 1016116 | 1 | ROD, ACCELERATOR PIVOT | | | |
| - 3 | 1028 | 2 | NUT, 1/4-20 HEX | | | |
| - 4 | 1010878 | 1 | STOP, BRAKE | | | |
| - 5 | 403 | 1 | BOLT, 1/4-20 HEX | | | |
| - 6 | 8304 | 1 | WASHER, 1/4" INT TOOTH LOCK | | | |
| - 7 | 1010969 | 1 | ACCELERATOR PEDAL, ASSEMBLY INCLUDES ITEMS 8, 9, 10, 11 | | | |
| - 8 | 7716 | 4 | SCREW, #10-16 SHEET METAL | | | |
| - 9 | 1013871 | 1 | PAD, ACCELERATOR | | | |
| - 10 | 1011691 | 1 | HANGER, ACCELERATOR PEDAL SPRING | | | |
| - 11 | 1010954 | 1 | BALL STUD, 1/4-28 | | | |
| - 12 | 1011734 | 2 | BALL JOINT, 1/4-28 SPRING LOADED | | | |
| - 13 | 1011084 | 2 | NUT, 1/4-28 JAM | | | |
| - 14 | 1012319 | 1 | ROD, ACCELERATOR | | | |
| - 15 | 8233 | 4 | LOCKNUT, 1/4-20 NYLON | | | |
| - 16 | 1012075 | 1 | SPRING, EXTENSION | | | |
| - 17 | 7479 | 4 | BOLT, 1/4-20 HEX | | | |
| - 18 | 1011699 | 1 | SPACER, 1/2 | | | |
| - 19 | 1011694 | 2 | BRACKET, ACCELERATOR BEARING | | | |
| - 20 | 1011700 | 1 | SPACER, ACCELERATOR | | | |



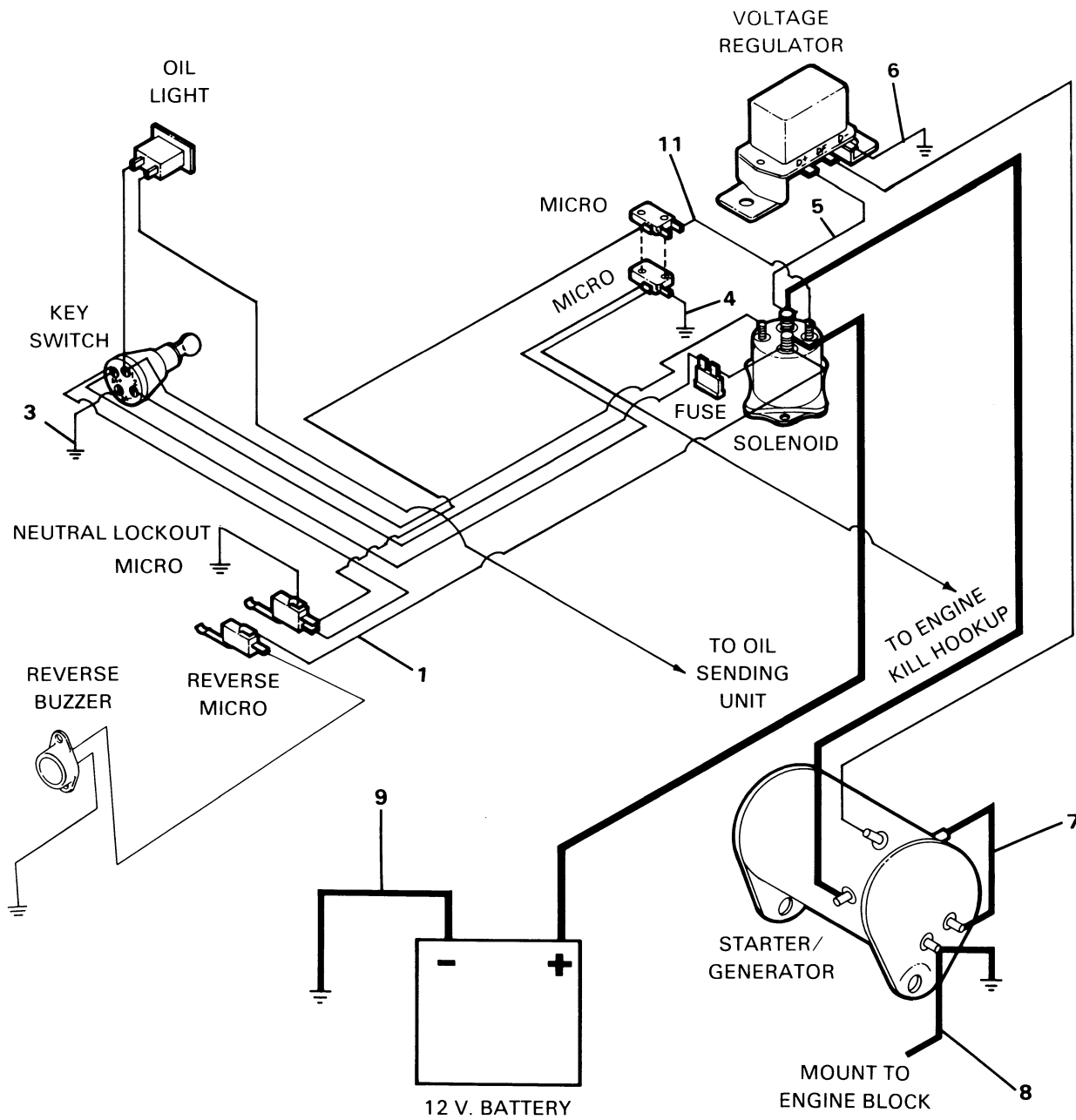
1087A00000

Manual No. 1014475 - Issue Date 10/87

Effective Serial No. AG8414-53441 thru _____



Section V
ELECTRICAL SYSTEM



**NOTE: ALL WIRES NOT LISTED ARE INCLUDED
IN WIRE HARNESS P/N 1014118**

FIGURE 5-1. FINAL ASSEMBLY, WIRING DIAGRAM, GAS CAR. SEE LIST 5-1.

FINAL ASSEMBLY, WIRING DIAGRAM, GAS CAR

| FIGURE- ITEM NUMBER | PART NUMBER | UNITS PER ASM | DESCRIPTION | | | |
|---------------------------|----------------|---------------------|---|---|---|---|
| | | | 1 | 2 | 3 | 4 |
| 1 - | NO # | 1 | FINAL ASSEMBLY WIRING DIAGRAM, GAS CAR FOR ILLUSTRATION SEE FIGURE 5-1 | | | |
| - 1 | 1014118 | 1 | WIRE HARNESS | | | |
| - 3 | 1012396 | 1 | WIRE ASSEMBLY, #18 BLACK | | | |
| - 4 | 1012397 | 1 | WIRE ASSEMBLY, #18 BLACK | | | |
| - 5 | 1012386 | 1 | WIRE ASSEMBLY, #10 RED | | | |
| - 6 | 1012388 | 1 | WIRE ASSEMBLY, #10 BLACK | | | |
| - 7 | 1012384 | 1 | WIRE ASSEMBLY, #6 BLACK | | | |
| - 8 | 1012385 | 1 | WIRE ASSEMBLY, #6 BLACK | | | |
| - 9 | 1012382 | 1 | WIRE ASSEMBLY, #6 BLACK | | | |
| - 11 | 1013600 | 1 | WIRE ASSEMBLY, #18 ORANGE | | | |



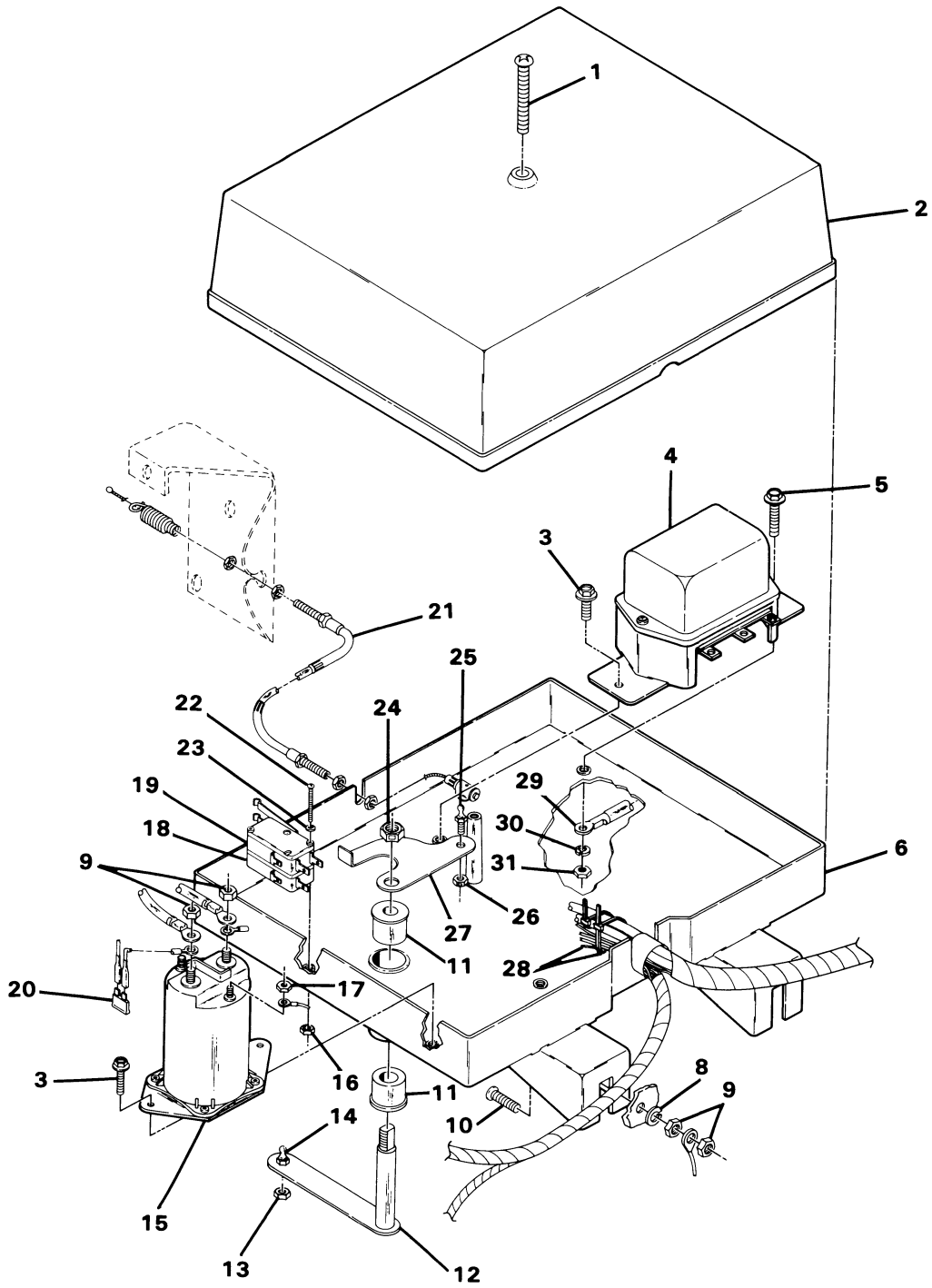


FIGURE 5-2. ELECTRICAL COMPONENT BOX ASSEMBLY. SEE LIST 5-2.

ELECTRICAL COMPONENT BOX ASSEMBLY

| FIGURE- ITEM NUMBER | PART NUMBER | UNITS PER ASM | DESCRIPTION | | | |
|---------------------------|----------------|---------------------|--|---|---|---|
| | | | 1 | 2 | 3 | 4 |
| 2 - | NO # | 1 | ELECTRICAL COMPONENT BOX WITH WIRE HARNESS INCLUDES ALL ITEMS EXCEPT 8, 9, 10 AND 21 FOR ILLUSTRATION SEE FIGURE 5-2 | | | |
| - 1 | 1013176 | 1 | SCREW PHILLIPS TRUSS HEAD, 1/4-20 X 2-1/2 | | | |
| - 2 | 1012274 | 1 | ELECTRICAL COMPONENT TRAY COVER | | | |
| - 3 | 1012285 | 3 | 1/4-20 UNC X 5/8 THREAD ROLLING SCREW | | | |
| - 4 | 1012422 | 1 | VOLTAGE REGULATOR | | | |
| - 5 | 1013662 | 1 | 1/4-20 X 1-1/4 THREAD FORM SCREW | | | |
| - 6 | 1013073 | 1 | ELECTRICAL COMPONENT BOX INCLUDES ITEM 11 | | | |
| - 8 | 7174 | 2 | LOCKWASHER, 5/16 | | | |
| - 9 | 1242 | 6 | HEX NUT, 5/16-18 | | | |
| - 10 | 1010435 | 2 | CARRIAGE BOLT, 5/16-18 X 1.00 | | | |
| - 11 | 7719 | 2 | BRONZE BUSHING, 1/2 ID X 5/8 OD X 3/4 LONG | | | |
| - 12 | 1012269 | 1 | ELECTRICAL BOX BELL CRANK SHAFT | | | |
| - 13 | 8717 | 1 | INSERT LOCKNUT, 1/4-28 UNF NYLON | | | |
| - 14 | 1010954 | 1 | BALL STUD, 1/4-28 UNF | | | |
| - 15 | 1013609 | 1 | 12 VOLT SOLENOID | | | |
| - 16 | 8057 | 2 | HEX NUT, #4-40 | | | |
| - 17 | 7893 | 2 | HEX NUT, #10-32 | | | |
| - 18 | 1014808 | 1 | LIMIT SWITCH | | | |
| - 19 | 1014807 | 1 | LIMIT SWITCH | | | |
| - 20 | 1012295 | 1 | 10 AMP FUSE | | | |
| - 21 | 1013158 | 1 | ACCELERATOR CABLE | | | |
| - 22 | 1012594 | 2 | MACHINE SCREW, #4-40 X 1-1/2 | | | |
| - 23 | 8058 | 2 | LOCKWASHER, #4 | | | |
| - 24 | 1010138 | 1 | DIMPLED LOCKNUT, 3/8-16 UNC | | | |
| - 25 | 1012353 | 1 | BALL STUD, 1/4-28 UNF | | | |
| - 26 | 8449 | 1 | DIMPLED LOCKNUT, 1/4-28 | | | |
| - 27 | 1012272 | 1 | ELECTRICAL BOX UPPER BELLCRANK | | | |
| - 28 | 8990 | 1 | TIE WRAP | | | |
| - 29 | 1013663 | 1 | GROUND WIRE ASSEMBLY | | | |
| - 30 | 451 | 1 | 1/4 LOCKWASHER | | | |
| - 31 | 1028 | 1 | 1/4-20 HEX NUT | | | |



Section VI

ACCESSORIES

ACCESSORIES INDEX

ACCESSORIES ILLUSTRATED

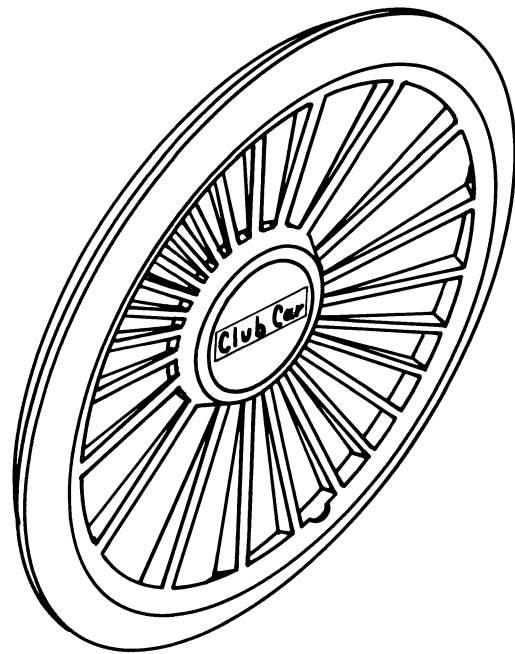
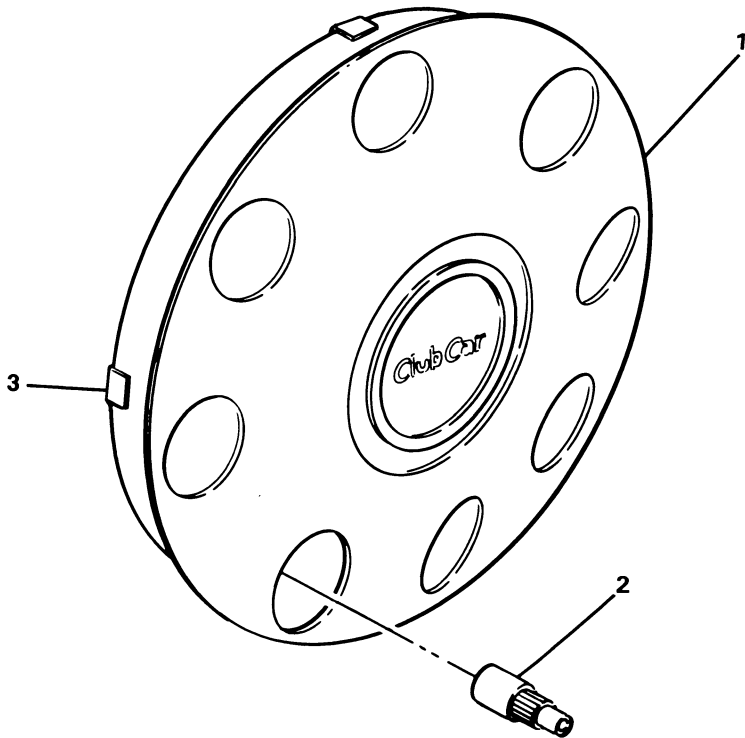
| DESCRIPTION | PAGE NO. |
|--|----------|
| Figure 6-1. Wheel Cover | 6-2 |
| Figure 6-2. Rake Holder | 6-3 |
| Figure 6-3. Sweater Basket | 6-4 |
| Figure 6-4. AM/FM Stereo Radio | 6-5 |
| Figure 6-5. Four-Passenger Conversion Kit | 6-6 |
| Figure 6-6. Sports Canopy Windshield | 6-8 |
| Figure 6-7. Canopy (4-Passenger) | 6-10 |
| Figure 6-8. Sports Canopy (Standard DS) | 6-12 |
| Figure 6-9. Two-Bag Attachment Kit (4-Passenger) | 6-14 |
| Figure 6-10. Four-Bag Attachment Kit (2-Passenger) | 6-16 |
| Figure 6-11. Trailer Hitch | 6-18 |
| Figure 6-12. Permanent Type Towing | 6-20 |
| Figure 6-13. Light Duty Tow Bar | 6-22 |
| Figure 6-14. Lighting Package | 6-24 |

ACCESSORIES NOT ILLUSTRATED

| DESCRIPTION | PART NO. |
|---|------------|
| Sandbucket Kit (Tan) | 1013173 |
| Sandbucket Kit (Black) | 1016049 |
| Number Decal - Rectangular | 1012173 |
| Ice Chest | 1011933 |
| Ashtray Kit | 1011230 |
| Woodgrain Decal Kit | 1012091 |
| Metallic Gold Pin Stripe Kit (50' Roll) | 1011179 |
| Bagwell Protector Kit | 1014725 |
| Rear View Mirror Kit | 1011524 |
| Information Holder | 1014825 |
| Snap-On Tee Holder | 1013122 |
| Hubodometer and Mounting Bracket | 1010282 |
| Hourmeter Kit, 12 Volt | 1013578 |
| Enclosure, Std. Car | 1013132 |
| Enclosure, 4-Passenger | 1011517 |
| Scuffguard Kit | 1014851 |
| Ball Picker Brace | 1015807 |
| Sand Bottle Installed (Beige) | 1015023-02 |
| Sand Bottle Installed (White) | 1015023-04 |

FIGURE 6-1A. WHEEL COVER (FLAT).

FIGURE 6-1B. WHEEL COVER (RIBBED SPORT).



FIGURES 6-1A AND 6-1B. WHEEL COVERS (FLAT AND RIBBED SPORT). SEE LISTS 6-1A AND 6-1B.

| FIGURE- ITEM NUMBER | PART NUMBER | UNITS PER ASM | DESCRIPTION | | | |
|---------------------------|----------------|---------------------|--|---|---|---|
| | | | 1 | 2 | 3 | 4 |
| 1A - | 1012642 | 4 | FLAT WHEEL COVER KIT INCLUDES ITEMS 1 AND 2 | | | |
| - 1 | NO # | 1 | FLAT WHEEL COVER | | | |
| - 2 | 1012641 | 1 | AIR VALVE EXTENSION | | | |
| - 3 | 1014452 | A/R | HUBCAP CLIP | | | |
| 1B - | 1014964 | 4 | WHEEL COVER (RIBBED SPORT) | | | |

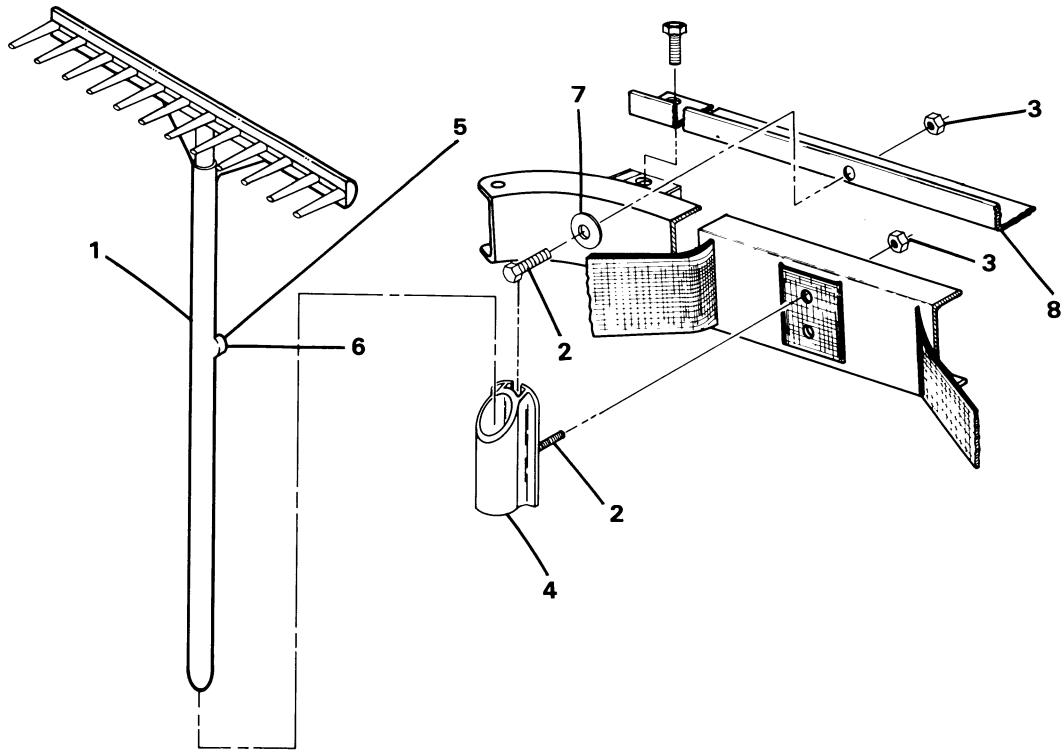


FIGURE 6-2. RAKE HOLDER. SEE LIST 6-2.

| FIGURE- ITEM NUMBER | PART NUMBER | UNITS PER ASM | DESCRIPTION | | | |
|---------------------------|----------------|---------------------|-------------|---|---|---|
| | | | 1 | 2 | 3 | 4 |
| 2 - | 1010408 | | | | | RAKE AND RAKE HOLDER KIT INCLUDES ITEMS 1 THRU 4 |
| - 1 | 1010236 | 1 | | | | RAKE ASSEMBLY |
| - 2 | 7847 | 2 | | | | BOLT 1/4-20 UNC x 3/4 HEX HEAD |
| - 3 | 8233 | 2 | | | | NUT, 1/4-20 LOCK |
| - 4 | 1013665 | 1 | | | | RAKE HOLDER KIT INCLUDES ITEMS 2 AND 3 |
| - 5 | 1012565 | 1 | | | | #12 PHILLIPS HEAD SCREW |
| - 6 | 1010237 | 1 | | | | RAKE HANDLE STOP |
| - 7 | 1011697 | 1 | | | | FLATWASHER, WIDE |
| - 8 | 1014402 | 1 | | | | MOUNTING BRACKET |



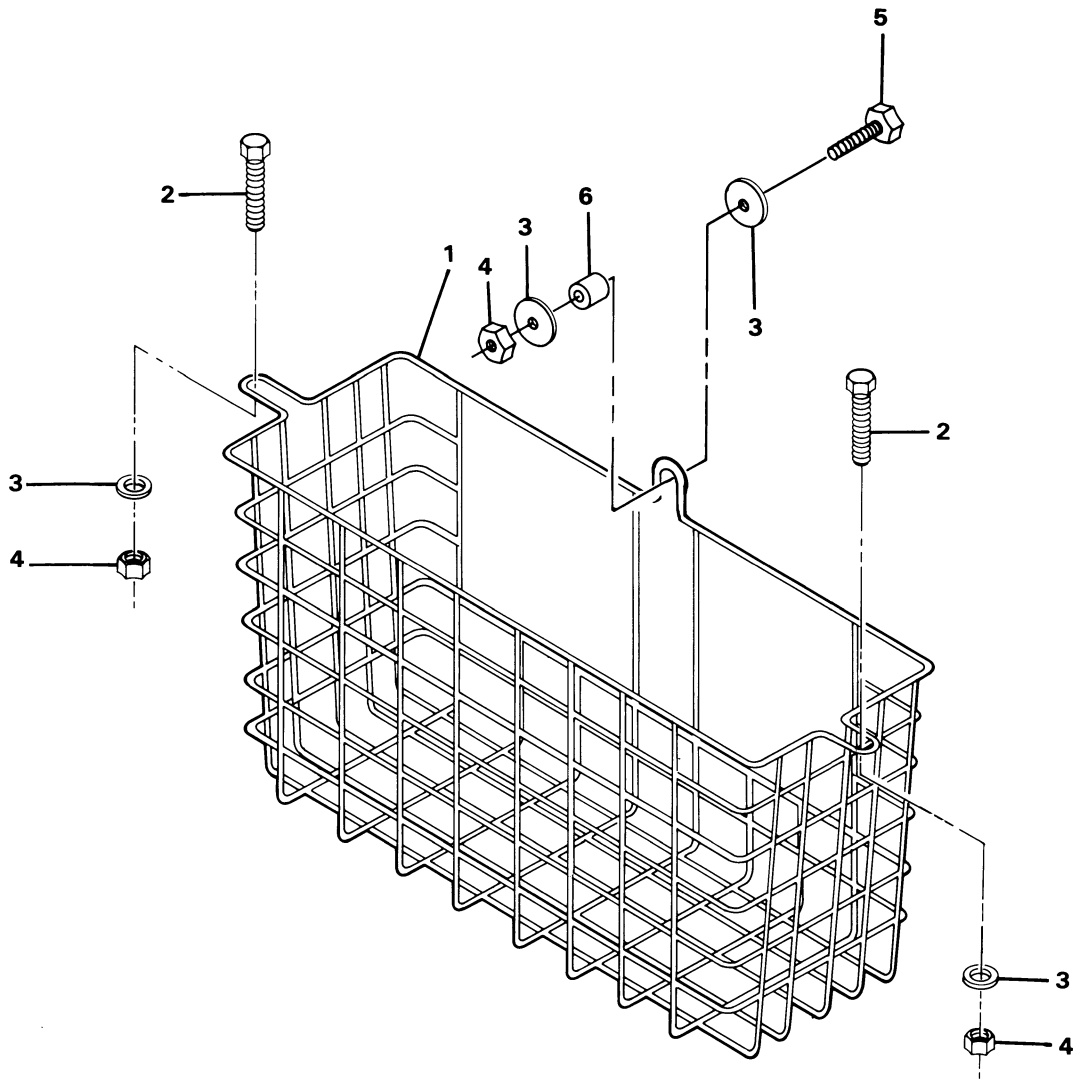


FIGURE 6-3. SWEATER BASKET. SEE LIST 6-3.

| FIGURE- ITEM NUMBER | PART NUMBER | UNITS PER ASM | DESCRIPTION | | | |
|---------------------------|----------------|---------------------|---|---|---|---|
| | | | 1 | 2 | 3 | 4 |
| 3 - | 1014460 | | SWEATER BASKET KIT INCLUDES ITEMS 1 THRU 6 | | | |
| - 1 | NO # | 1 | SWEATER BASKET | | | |
| - 2 | 304 | 2 | BOLT, HEX HEAD 1/4-20 x 1" | | | |
| - 3 | 1011697 | 4 | FLATWASHER, WIDE | | | |
| - 4 | 8233 | 3 | LOCKNUT, NYLON, 1/4-20 | | | |
| - 5 | 8418 | 1 | BOLT, HEX HEAD 1/4-20 x 1 1/2" | | | |
| - 6 | 1014482 | 1 | SPACER | | | |

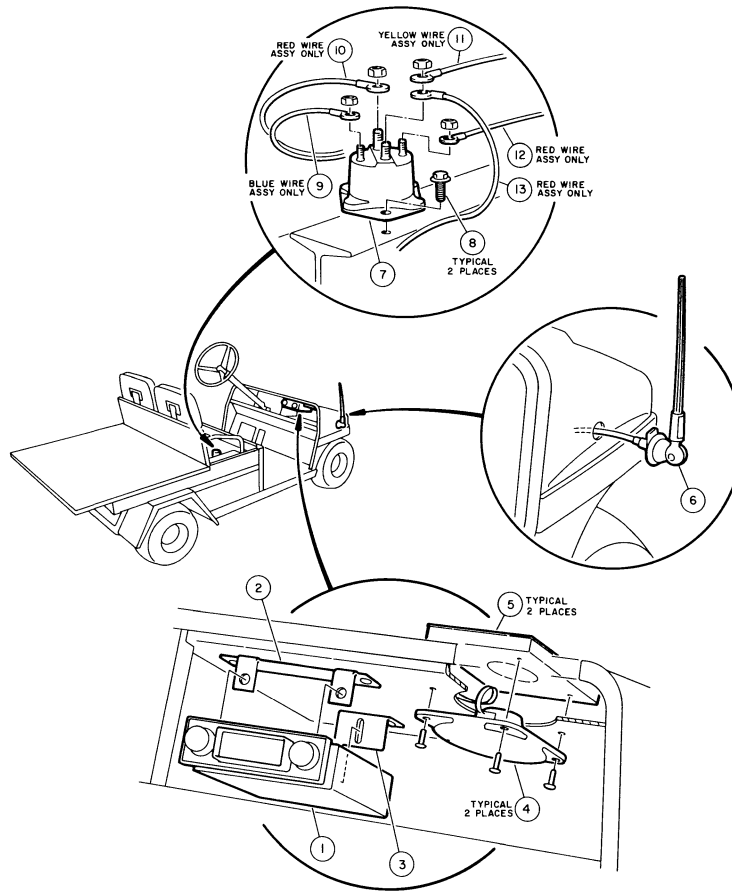


FIGURE 6-4. AM/FM STEREO RADIO. SEE LIST 6-4.

| FIGURE- ITEM NUMBER | PART NUMBER | UNITS PER ASM | DESCRIPTION | | | |
|---------------------------|-----------------|---------------------|--|---|---|---|
| | | | 1 | 2 | 3 | 4 |
| 4 - | 1011658 | 1 | AM/FM STEREO RADIO KIT INCLUDES ITEMS 1 THRU 23 | | | |
| - 1 | 1015204 | 1 | RADIO | | | |
| - 2 | 1015178 | 1 | FRONT MOUNTING BRACKET | | | |
| - 3 | 1015176 | 1 | REAR MOUNTING BRACKET | | | |
| - 4 | 1014534 | 1 | SPEAKERS INCLUDES 2 SPEAKERS WITH MOUNTING HARDWARE | | | |
| - 5 | 1011696 | 2 | SPEAKER INSULATION | | | |
| - 6 | 1015508 | 1 | RADIO ANTENNA INCLUDES MOUNTING HARDWARE | | | |
| - 7 | 8016 | 1 | SOLENOID | | | |
| - 8 | 1012285 | 2 | HEX WASH HEAD SCREW, 1/4-20 X 5/8" | | | |
| - 9 | 1015206 | 1 | BLUE WIRE ASSEMBLY, 63" | | | |
| - 10 | 1015183 | 1 | RED WIRE ASSEMBLY, 62" | | | |
| - 11 | 1015184 | 1 | YELLOW WIRE ASSEMBLY, 62" | | | |
| - 12 | 1015205 | 1 | RED WIRE ASSEMBLY, 12" | | | |
| - 13 | 1015207 NO # | 1 | RED WIRE ASSEMBLY, 36" | | | |
| - 14 | 1015185 | 2 | MISC. INSTALLATION HARDWARE NOT SHOWN ON ILLUSTRATION | | | |
| - 15 | 8104 | 2 | WIRE NUT | | | |
| - 16 | 183 | 3 | SLOT ROUND HEAD SCREW, #10-32 X 3/4" | | | |
| - 17 | 8049 | 2 | FLATWASHER, #10 | | | |
| - 18 | 7893 | 2 | INTERNAL TOOTH LOCKWASHER, #10 | | | |
| - 19 | 8248 | 2 | HEX NUT, #10-32 | | | |
| - 20 | 1014306 | 2 | PHILLIPS TRUSS HEAD SCREW, 1/4-20 X 3/4" | | | |
| - 21 | 451 | 2 | WIDE FLATWASHER, 1/4" DIAMETER | | | |
| - 22 | 1028 | 2 | LOCKWASHER, 1/4" DIAMETER | | | |
| - 23 | 8990 | 4 | HEX NUT, 1/4-20 WIRE TIE | | | |



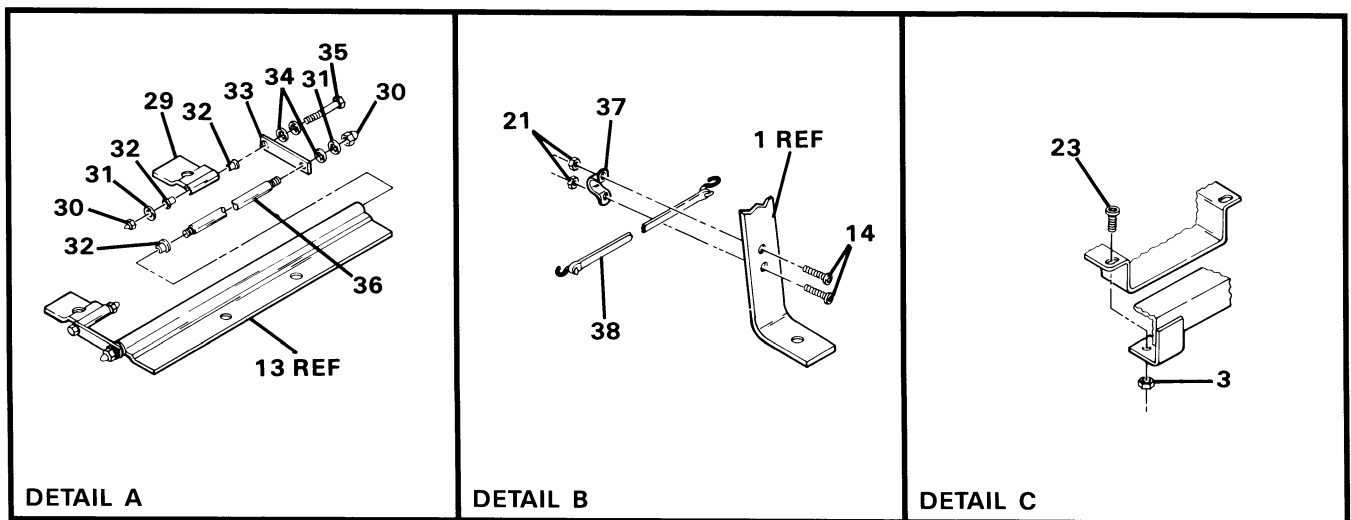
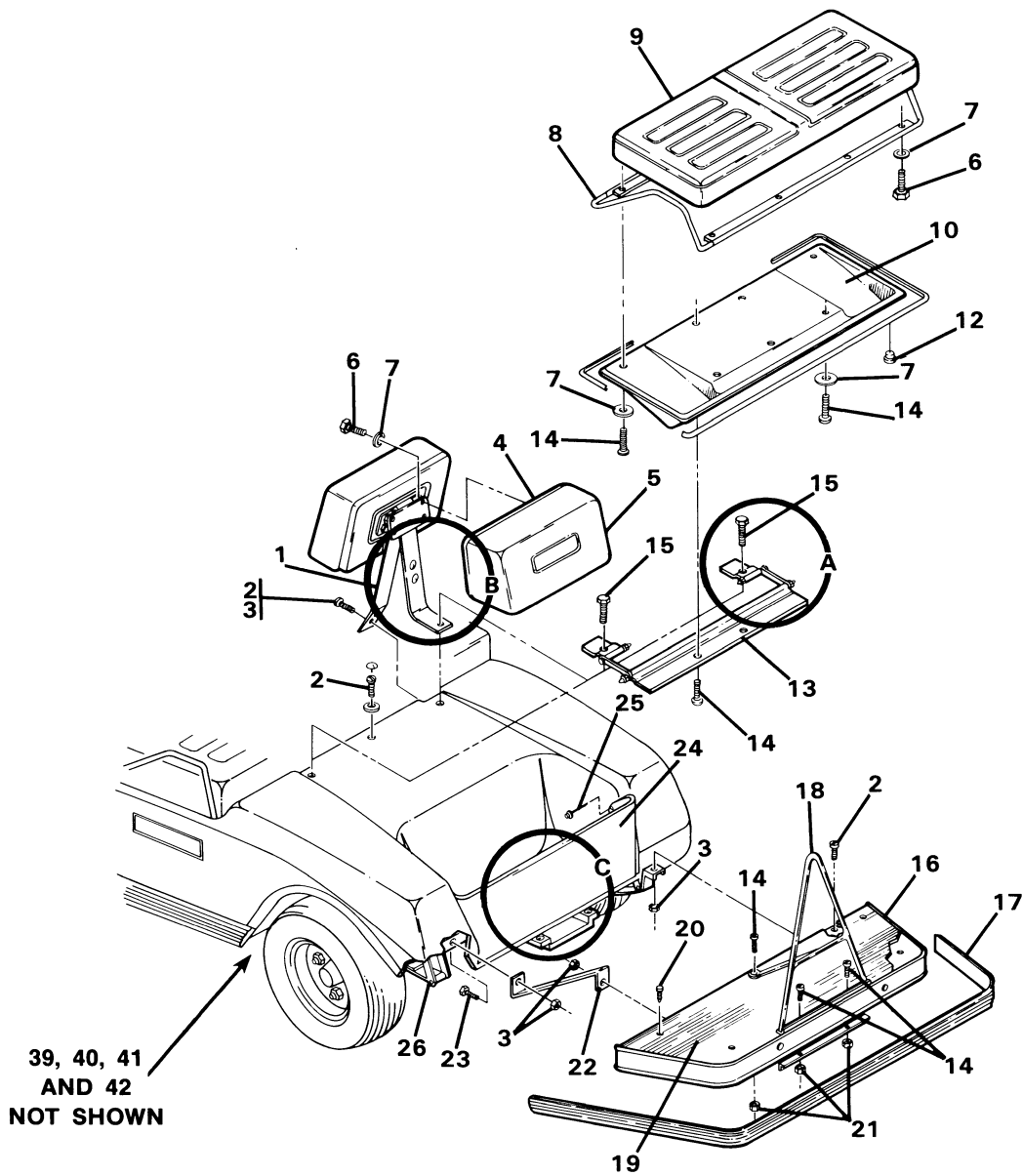


FIGURE 6-5. FOUR PASSENGER CONVERSION KIT. SEE LIST 6-5.

FOUR PASSENGER CONVERSION KIT

| FIGURE- ITEM NUMBER | PART NUMBER | UNITS PER ASM | DESCRIPTION | | | |
|---------------------------|----------------|---------------------|--|---|---|---|
| | | | 1 | 2 | 3 | 4 |
| 5 - | 1014183 | 1 | FOUR-PASSENGER CONVERSION KIT (BUFF SEAT) | | | |
| - | 1011513 | 1 | FOUR-PASSENGER CONVERSION KIT (WHITE SEAT) | | | |
| - 1 | 1011182 | 2 | SEAT BACK SUPPORT ASSEMBLY | | | |
| - 2 | 7410 | 2 | SCREW, PHILLIPS TRUSS HEAD, 5/16-18 x 1-1/4" | | | |
| - 3 | 7473 | 12 | LOCKNUT, NYLON, 5/16-18 | | | |
| - 4 | 1013938 | 4 | SEAT BACK CAP (TAN) | | | |
| - 4 | 1011231 | 4 | SEAT BACK CAP (BEIGE) | | | |
| - 4 | 1013335 | 4 | SEAT BACK CAP (BLACK) | | | |
| - 5 | 1015651-01 | 4 | SEAT BACK ASSEMBLY (BUFF WITH TAN CAP) | | | |
| - 5 | 1015651-02 | 4 | SEAT BACK ASSEMBLY (WHITE WITH BLACK CAP) | | | |
| - 5 | 1015651-03 | 4 | SEAT BACK ASSEMBLY (NON-STANDARD WITH BLACK CAP) | | | |
| - 5 | 1015651-04 | 4 | SEAT BACK ASSEMBLY (WHITE WITH BEIGE CAP) | | | |
| - 6 | 304 | 20 | BOLT, HEX HEAD, 1/4-20 x 1" | | | |
| - 7 | 8304 | 20 | LOCKWASHER, INTERNAL TOOTH, 1/4" | | | |
| - 8 | 1015671 | 1 | ARMREST ASSEMBLY, SEAT BOTTOM KIT | | | |
| - 9 | 1015648-01 | 1 | SEAT BOTTOM ASSEMBLY (BUFF) | | | |
| - 9 | 1015648-02 | 1 | SEAT BOTTOM ASSEMBLY (WHITE) | | | |
| - 9 | 1015648-03 | 1 | SEAT BOTTOM ASSEMBLY (NON-STANDARD) | | | |
| - 10 | 1011210 | 1 | SEAT SUPPORT | | | |
| - 12 | 1011389 | 1 | RUBBER BUMPER PACKAGE | | | |
| - 13 | 1011220 | 1 | HINGE (LONG) | | | |
| - 14 | 8251 | 14 | SCREW, PHILLIPS TRUSS HEAD, 1/4-20 x 1" | | | |
| - 15 | 1010577 | 2 | BOLT, HEX HEAD, 5/16-18 x 1-1/2" | | | |
| - 16 | 1011190 | 1 | FOOTREST WELD ASSEMBLY | | | |
| - 17 | 1011207 | 1 | BUMPER GUARD | | | |
| - 18 | 1011309 | 1 | HANDRAIL | | | |
| - 19 | 1014998 | 1 | FOOTREST MAT | | | |
| - 20 | 1010434 | 4 | PLASTIC BARRELS | | | |
| - 21 | 8233 | 7 | LOCKNUT, NYLON 1/4-20 | | | |
| - 22 | 1011204 | 2 | CONNECTING BAR | | | |
| - 23 | 1218 | 8 | BOLT, HEX HEAD, 5/16-18 x 1-1/4" | | | |
| - 24 | 1011348 | 1 | REAR PANEL | | | |
| - 25 | 7532 | 4 | POP RIVET, 3/16" | | | |
| - 26 | 1014675 | 2 | SPRING REAR (CRI, 4 PASS) | | | |
| - 29 | 1011221 | 2 | HINGE (SHORT) | | | |
| - 30 | 1010628 | 4 | NUT, CENTERLOCK CAP | | | |
| - 31 | 1010695 | 6 | CURVED SPRING WASHER | | | |
| - 32 | 8028 | 6 | NYLON BUSHING | | | |
| - 33 | 1011224 | 2 | HINGE LINKAGE ARM | | | |
| - 34 | 332 | 2 | FLATWASHER, 1/4" | | | |
| - 35 | 1012159 | 2 | BOLT, HEX HEAD, 1/4-20 x 2-3/4" | | | |
| - 36 | 1011222 | 1 | HINGE PIN (LONG) | | | |
| - 37 | 1011235 | 2 | CORD RETAINER | | | |
| - 38 | 1011238 | 1 | BUNGIE CORD — DIPPED | | | |
| - 39 | 1014902 | 2 | U-BOLT | | | |
| - 40 | 1014549 | 2 | BUMPER MOUNT | | | |
| - 41 | 1014552 | 2 | BUMPER | | | |
| - 42 | 1014901 | 2 | SPACER | | | |
| - 43 | 1016072 | 1 | 36 VOLT SOLENOID (NOT INCLUDED IN KIT) {NOT SHOWN} | | | |
| - 44 | 1241 | 12 | 5/16" FLATWASHER | | | |



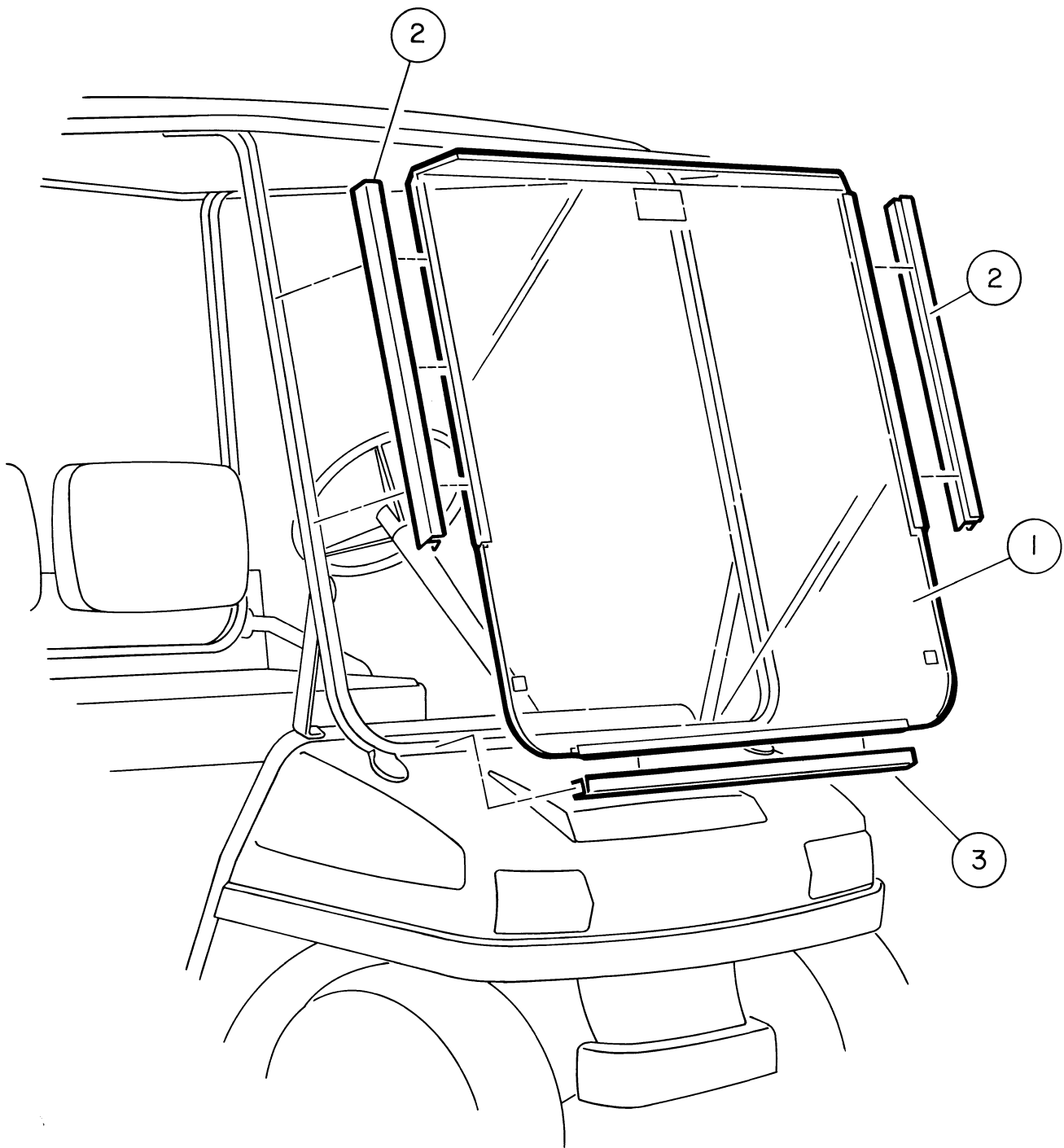


FIGURE 6-6. SPORTS CANOPY WINDSHIELD. SEE LIST 6-6.

SPORTS CANOPY WINDSHIELD

| FIGURE- ITEM NUMBER | PART NUMBER | UNITS PER ASM | 1 | 2 | 3 | 4 | DESCRIPTION |
|---------------------------|----------------|---------------------|---|---|---|---|---|
| 6 - | 1014435 | 1 | | | | | SPORTS CANOPY WINDSHIELD KIT INCLUDES ITEMS 1 THRU 5 |
| - 1 | NO # | 1 | | | | | WINDSHIELD |
| - 2 | 1014441 | 2 | | | | | WINDSHIELD CHANNEL (SIDES) |
| - 3 | 1014437 | 1 | | | | | WINDSHIELD CHANNEL (BOTTOM) |
| - 4 | 1011897 | 2 | | | | | BUMPER |
| - 5 | NO # | 1 | | | | | VINYL SEALANT 30" (SEE ITEM 7) |
| - 6 | 1014436 | A/R | | | | | VINYL TRIM EXTRUSION (ORDER BY FEET ONLY) |
| - 7 | NO # | 2 | | | | | VINYL SEALANT 23" (SEE ITEM 7) |



CANOPY (4-PASSENGER)

| FIGURE- ITEM NUMBER | PART NUMBER | UNITS PER ASM | DESCRIPTION | | | |
|---------------------------|----------------|---------------------|-------------|---|---|--|
| | | | 1 | 2 | 3 | 4 |
| 7 - | 1014434 | 1 | | | | FOUR PASSENGER CANOPY KIT (BEIGE) |
| | 1014898 | 1 | | | | FOUR PASSENGER CANOPY KIT (WHITE) |
| - 1 | 1014423 | 1 | | | | CANOPY AND TRIM ASSEMBLY (BEIGE) |
| - 1 | 1014899 | 1 | | | | CANOPY AND TRIM ASSEMBLY (WHITE) |
| - 2 | 1014419 | 1 | | | | REAR CANOPY BRACE |
| - 3 | 1011868 | 1 | | | | WINDSHIELD FRAME ASSEMBLY |
| - 4 | 1011938 | 2 | | | | REAR CANOPY BRACE |
| - 5 | 1011862 | 1 | | | | KNEE BRACE — RIGHT |
| - 6 | 1011865 | 1 | | | | KNEE BRACE — LEFT |
| - 7 | 1011878 | 4 | | | | CAPPED TEENUT |
| - 8 | 1010237 | 4 | | | | BUSHING |
| - 9 | 1011964 | 4 | | | | 1/4" FLATWASHER |
| - 10 | 1703 | 4 | | | | 1/4-20 X 1.5 HEX HEAD BOLT |
| - 11 | 1011965 | 4 | | | | 1/4" LOCKWASHER |
| - 12 | 1014420 | 1 | | | | 4-PASSENGER MOUNTING HARDWARE KIT (* INDICATES ITEMS IN KIT) |



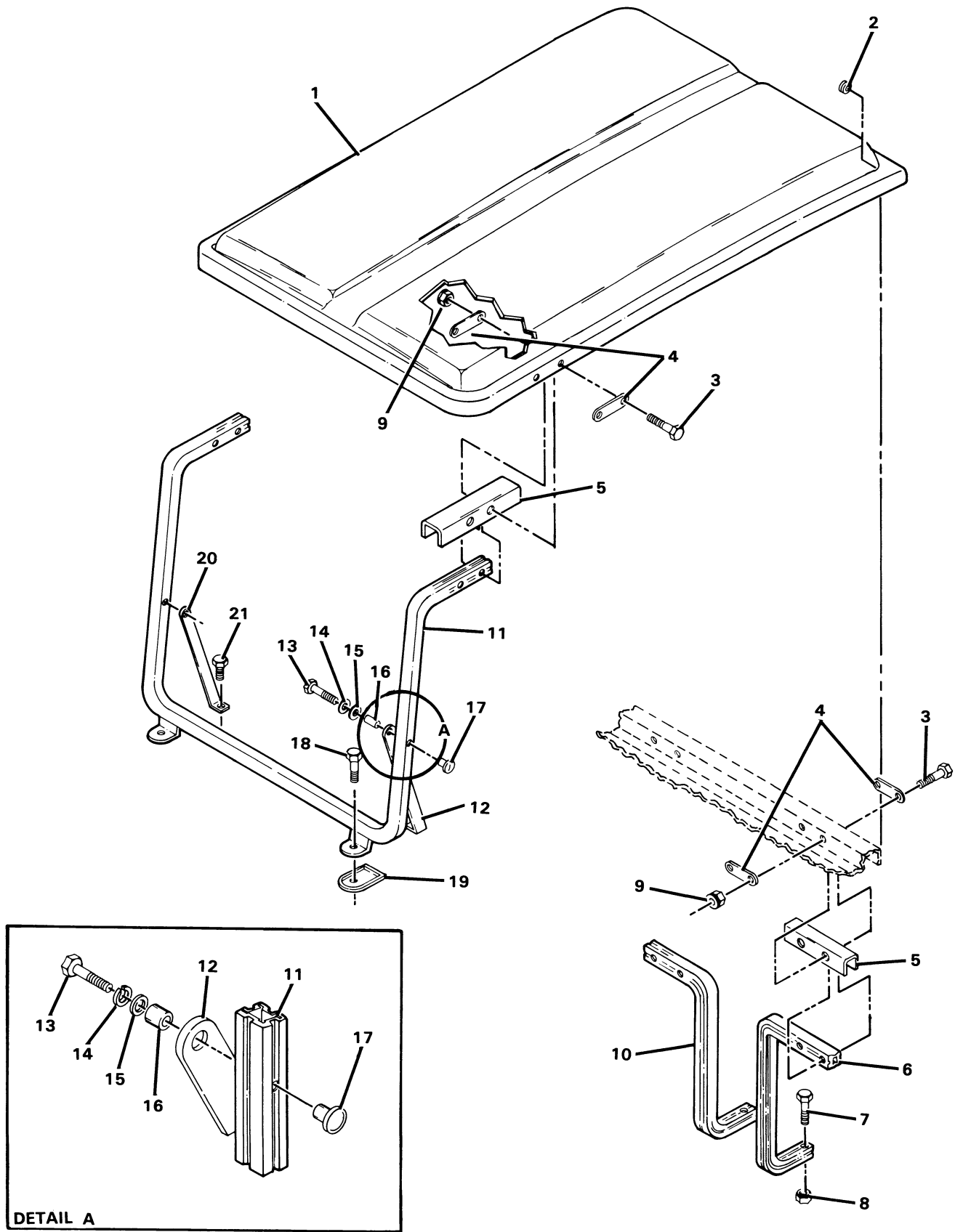


FIGURE 6-8. SPORTS CANOPY (STANDARD DS). SEE LIST 6-8.

SPORTS CANOPY (STANDARD DS)

| FIGURE- ITEM NUMBER | PART NUMBER | UNITS PER ASM | DESCRIPTION | | | |
|---------------------------|--------------------|---------------------|---|---|---|---|
| | | | 1 | 2 | 3 | 4 |
| 8 - | 1011886 1014538 | | SPORTS CANOPY (DS) KIT (BEIGE) SPORTS CANOPY (DS) KIT (WHITE) DOES NOT INCLUDE ITEMS 7 AND 8 FOR ILLUSTRATION, SEE FIGURE 6-10 | | | |
| - 1 | 1011871 | 1 | CANOPY ASSEMBLY (BEIGE) | | | |
| - 1 | 1014558 | 1 | CANOPY ASSEMBLY (WHITE) | | | |
| - 2 | 1011942 | 2 | MODIFIED GROMMET | | | |
| - 3 | 7311 | 8 | BOLT, HEX HEAD, 1/4-20 x 2" | | | |
| - 4 | 1011852 | 8 | CANOPY TRIM PLATE | | | |
| - 5 | 1012008 | 4 | SIDE CANOPY SUPPORT | | | |
| - 6 | 1011855 | 1 | LEFT REAR BRACE | | | |
| - 7 | 8916 | 2 | BOLT, HEX HEAD, 5/16-18 x 2" | | | |
| - 8 | 7473 | 2 | LOCKNUT, NYLON, 5/16-18 | | | |
| - 9 | 8233 | 8 | LOCKNUT, NYLON, 1/4-20 | | | |
| - 10 | 1011856 | 1 | RIGHT REAR BRACE | | | |
| - 11 | 1011868 | 1 | WINDSHIELD FRAME ASSEMBLY | | | |
| - 12 | 1011865 | 1 | KNEE BRACE — LEFT | | | |
| - 13 | 1703 | 2 | BOLT, HEX HEAD, 1/4-20 x 1-1/2" | | | |
| - 14 | 1011964 | 2 | LOCKWASHER, 1/4, STAINLESS STEEL | | | |
| - 15 | 1011965 | 2 | FLATWASHER, 1/4, STAINLESS STEEL | | | |
| - 16 | 1010237 | 2 | BUSHING | | | |
| - 17 | 1011878 | 2 | CAPPED TEENUT | | | |
| - 18 | 1011937 | 2 | BOLT, HEX HEAD, W/NYLON PATCH, 5/16-18 x 1-1/4" | | | |
| - 19 | 1011883 | 2 | WINDSHIELD FRAME MOUNTING PAD | | | |
| - 20 | 1011862 | 1 | KNEE BRACE — RIGHT | | | |
| - 21 | 1218 | 2 | BOLT, HEX HEAD, 5/16-18 x 1-1/4" | | | |



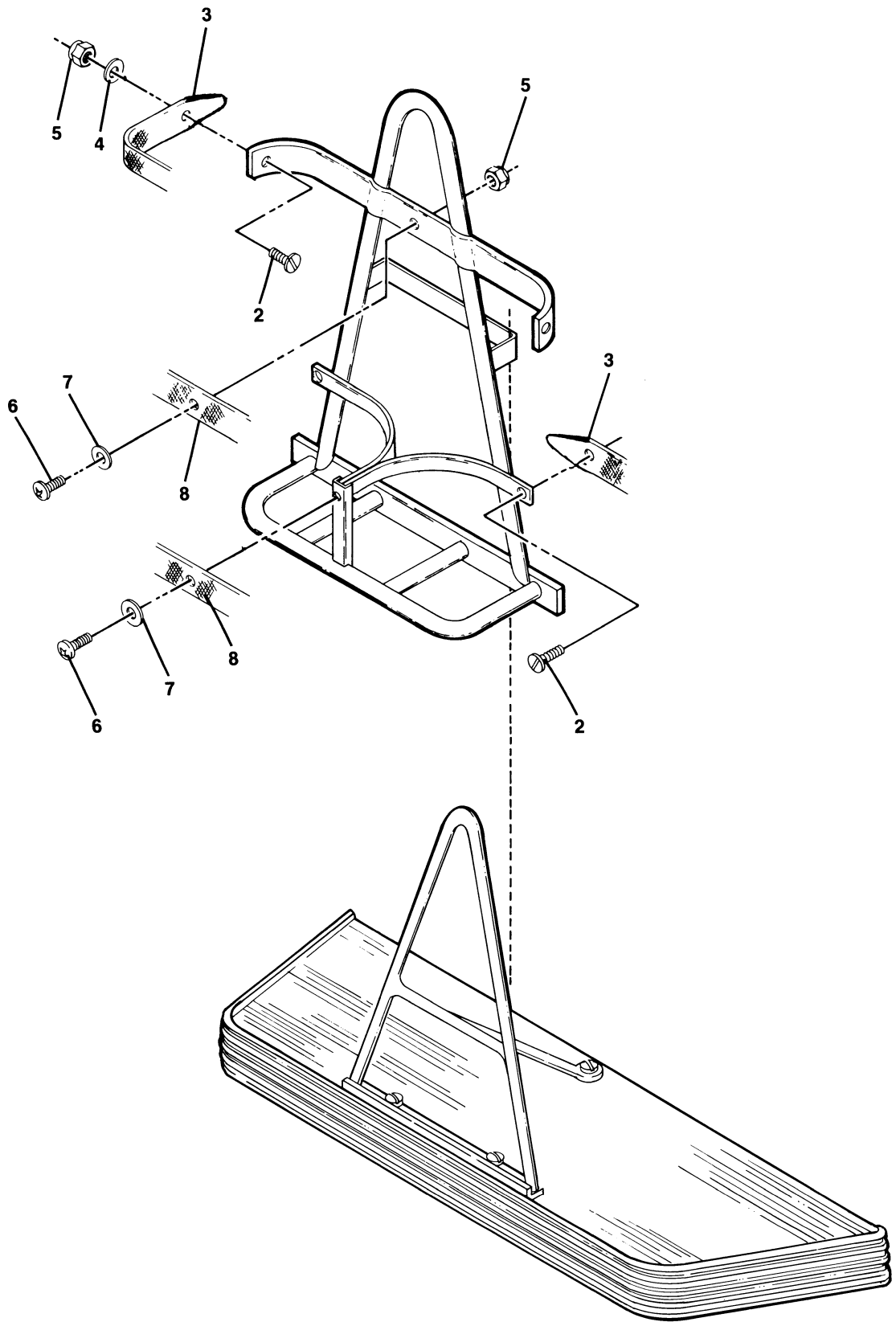


FIGURE 6-9. 2-BAG ATTACHMENT KIT (4-PASSENGER). SEE LIST 6-9.

2-BAG ATTACHMENT KIT (4-PASSENGER)

| FIGURE- ITEM NUMBER | PART NUMBER | UNITS PER ASM | DESCRIPTION | | | |
|---------------------------|----------------|---------------------|--|---|---|---|
| | | | 1 | 2 | 3 | 4 |
| 9 - | 1011519 | | 2-BAG ATTACHMENT KIT (4-PASSENGER) INCLUDES ALL ITEMS FOR ILLUSTRATION, SEE FIGURE 6-9 | | | |
| - 1 | 1011563 | 1 | 2-BAG ATTACHMENT WELD ASSEMBLY | | | |
| - 2 | 1107 | 4 | SCREW, FLAT HEAD, 1/4-20 | | | |
| - 3 | 7935 | 4 | BAG RACK STRAP | | | |
| - 4 | 332 | 4 | FLATWASHER, 1/4 | | | |
| - 5 | 8233 | 6 | LOCKNUT, NYLON, 1/4-20 | | | |
| - 6 | 8419 | 2 | SCREW, PHILLIPS, 1/4-20 | | | |
| - 7 | 1011578 | 2 | FLATWASHER, 1/4 | | | |
| - 8 | 8463 | 2 | LONG BAG STRAP | | | |



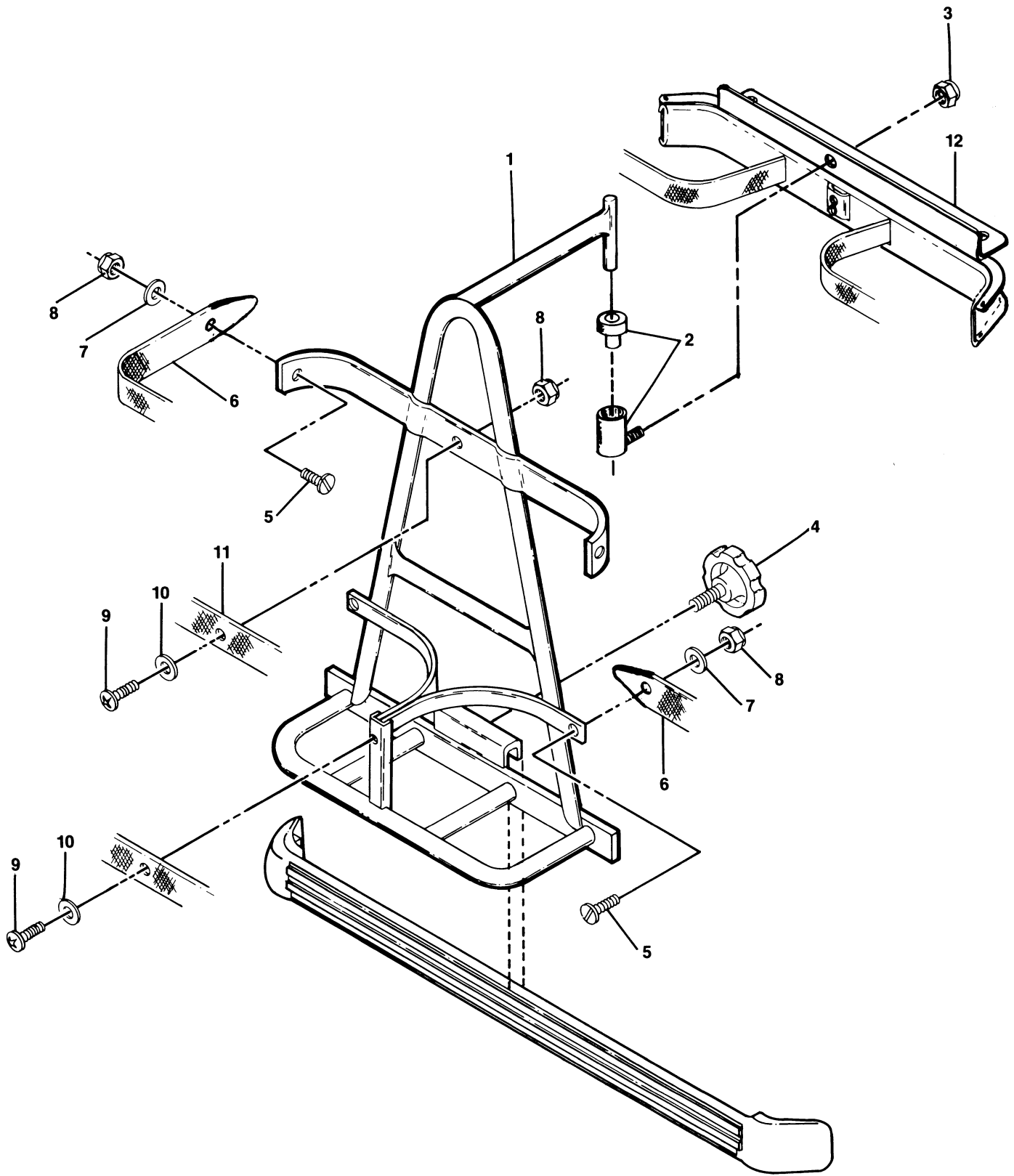


FIGURE 6-10. 4-BAG ATTACHMENT KIT (2-PASSENGER). SEE LIST 6-10.

4-BAG ATTACHMENT KIT (2-PASSENGER)

| FIGURE- ITEM NUMBER | PART NUMBER | UNITS PER ASM | DESCRIPTION | | | |
|---------------------------|----------------|---------------------|---|---|---|---|
| | | | 1 | 2 | 3 | 4 |
| 10 - | 1011907 | | 4-BAG ATTACHMENT KIT (2-PASSENGER) INCLUDES ALL ITEMS FOR ILLUSTRATION, SEE FIGURE 6-10 | | | |
| - 1 | NO # | 1 | 4-BAG ATTACHMENT WELD ASSEMBLY | | | |
| - 2 | 1011910 | 1 | STEM CAVITY AND BUSHING ASSEMBLY INCLUDES ITEM 3 | | | |
| - 3 | 8233 | 1 | LOCKNUT, NYLON, 1/4-20 | | | |
| - 4 | 1011761 | 1 | KNOB | | | |
| - 5 | 1107 | 4 | SCREW, FLAT HEAD, 1/4-20 | | | |
| - 6 | 7935 | 4 | BAG RACK STRAP | | | |
| - 7 | 332 | 4 | FLATWASHER, 1/4 | | | |
| - 8 | 8233 | 6 | LOCKNUT, NYLON, 1/4-20 | | | |
| - 9 | 8419 | 2 | SCREW, PHILLIPS, 1/4-20 | | | |
| - 10 | 1011578 | 2 | FLATWASHER, 1/4 | | | |
| - 11 | 8463 | 2 | LONG BAG STRAP | | | |
| - 12 | 1014402 | 1 | MOUNTING BRACKET | | | |



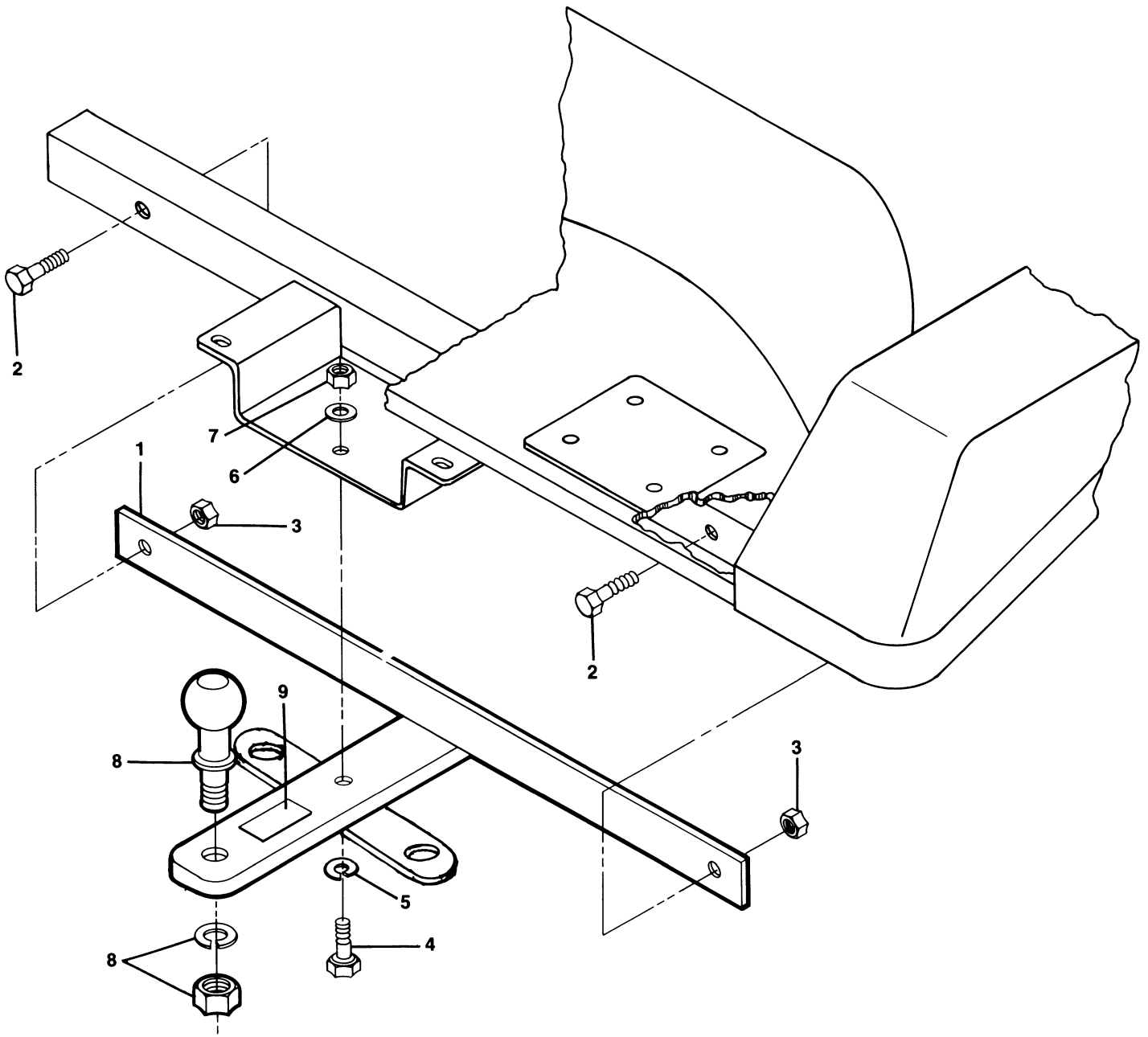


FIGURE 6-11. TRAILER HITCH. SEE LIST 6-11.

TRAILER HITCH

| FIGURE- ITEM NUMBER | PART NUMBER | UNITS PER ASM | DESCRIPTION | | | |
|---------------------------|----------------|---------------------|---|---|---|---|
| | | | 1 | 2 | 3 | 4 |
| 11 - | 1011522 | | TRAILER HITCH KIT INCLUDES ITEMS 1 THRU 9 FOR ILLUSTRATION, SEE FIGURE 6-11 | | | |
| - 1 | 1011550 | 1 | TRAILER HITCH WELD ASSEMBLY | | | |
| - 2 | 1218 | 2 | BOLT, HEX HEAD, 5/16-18 x 1-1/4" | | | |
| - 3 | 7473 | 2 | LOCKNUT, NYLON, 5/16-18 | | | |
| - 4 | 1624 | 1 | BOLT, HEX HEAD, 3/8-16 x 1-1/2" | | | |
| - 5 | 357 | 1 | LOCKNUT, 3/8 | | | |
| - 6 | 808 | 1 | FLATWASHER, 3/8 | | | |
| - 7 | 706 | 1 | NUT, HEX, 3/8-16 | | | |
| - 8 | 1011546 | 1 | TRAILER BALL W/NUT AND LOCKWASHER | | | |
| - 9 | 1011553 | 1 | TRAILER HITCH DECAL | | | |



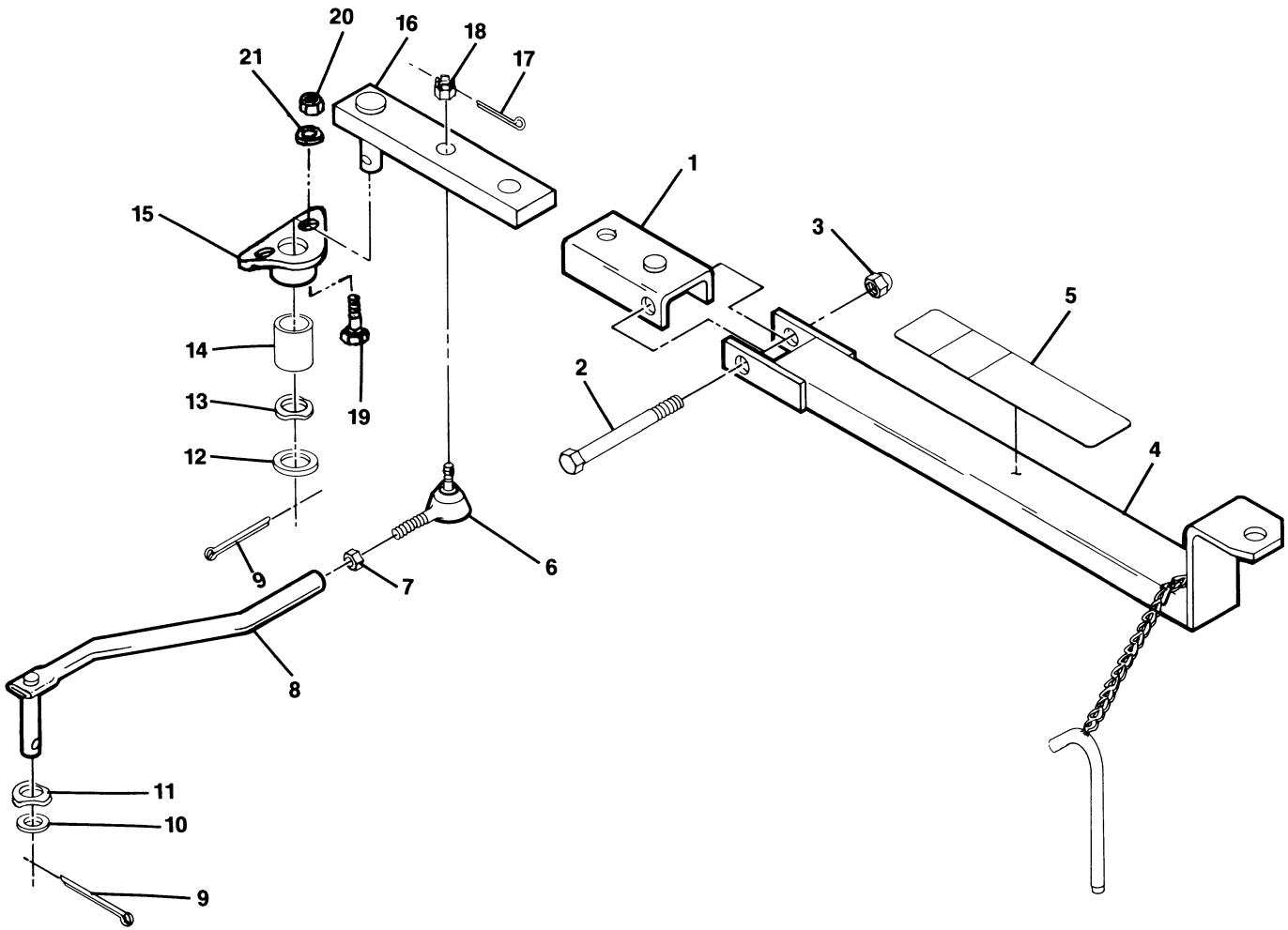


FIGURE 6-12. 1980 PERMANENT TYPE TOWING. SEE LIST 6-12.

PERMANENT TYPE TOWING

| FIGURE- ITEM NUMBER | PART NUMBER | UNITS PER ASM | DESCRIPTION | | | |
|---------------------------|----------------|---------------------|---|---|---|---|
| | | | 1 | 2 | 3 | 4 |
| 12 - | 1010037 | 1 | TOW BAR ASSEMBLY INCLUDES ITEMS 1 THRU 5 | | | |
| - | 1014378 | 1 | PERMANENT TOWING INSTALLATION KIT INCLUDES ITEMS 6 THRU 21 | | | |
| - 1 | 1010034 | 1 | CHANNEL WELD ASSEMBLY | | | |
| - 2 | 8755 | 1 | BOLT, HEX HEAD, 3/8-16 x 3" | | | |
| - 3 | 8754 | 1 | LOCKNUT, NYLON, 3/8-16 UNC | | | |
| - 4 | 1010032 | 1 | TOW BAR WELD ASSEMBLY | | | |
| - 5 | 1010038 | 1 | TOW BAR LABEL | | | |
| - 6 | 7539 | 1 | SOCKET ASSEMBLY, RIGHT HAND INCLUDES ITEM 18 | | | |
| - 7 | 1308 | 1 | NUT, HEX, 1/2-20 UNF | | | |
| - 8 | 1010029 | 1 | STEERING ARM WELD ASSEMBLY | | | |
| - 9 | 7910 | 2 | PIN, COTTER, 5/32 x 1" | | | |
| - 10 | 1010028 | 1 | FLATWASHER, 1/2" | | | |
| - 11 | 1010039 | 1 | WAVE SPRING WASHER, 1/2" | | | |
| - 12 | 1010005 | 1 | FLATWASHER, 3/4" | | | |
| - 13 | 1010040 | 1 | WAVE SPRING WASHER, 3/4" | | | |
| - 14 | 1014282 | 1 | BRONZE BEARING | | | |
| - 15 | 1014278 | 1 | PERMANENT TOWING ATTACHMENT INCLUDES ITEM 14 | | | |
| - 16 | 1010035 | 1 | TOWING LUG WELD ASSEMBLY | | | |
| - 17 | 1035 | 1 | PIN, COTTER, 3/32" x 1" | | | |
| - 18 | 7602 | 1 | NUT, SLOTTED HEX, 3/8-24 UNF | | | |
| - 19 | 320 | 2 | SCREW, 3/8-16 X 1.00 HEX HEAD | | | |
| - 20 | 706 | 2 | NUT, HEX 3/8" | | | |
| - 21 | 357 | 2 | LOCKWASHER, 3/8" | | | |



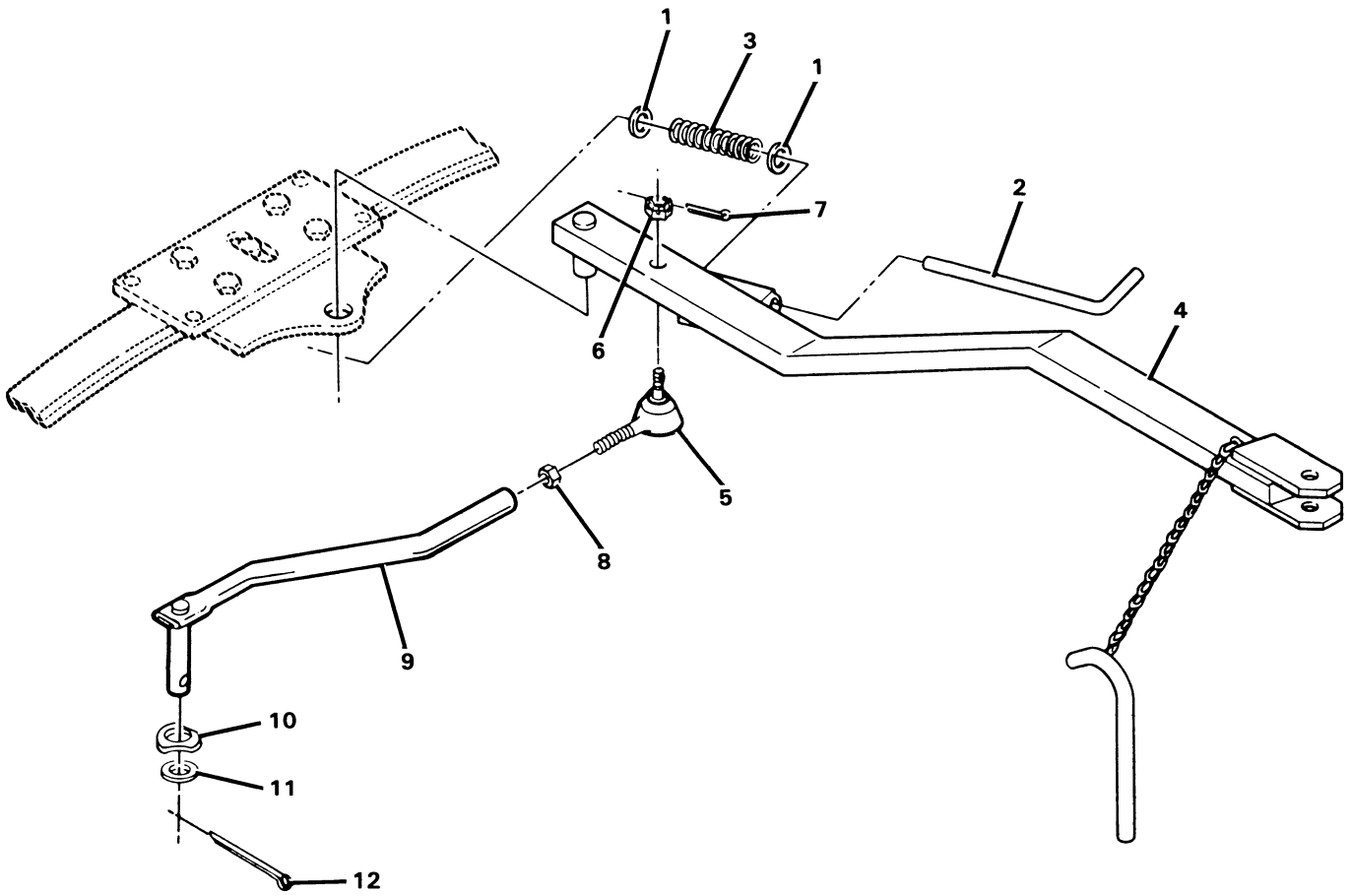


FIGURE 6-13. LIGHT DUTY TOW BAR. SEE LIST 6-13.

LIGHT DUTY TOW BAR

| FIGURE- ITEM NUMBER | PART NUMBER | UNITS PER ASM | DESCRIPTION | | | |
|---------------------------|----------------|---------------------|--|---|---|---|
| | | | 1 | 2 | 3 | 4 |
| 13 - | 8708 | | LIGHT DUTY TOW BAR COMPLETE INCLUDES ITEMS 1 THRU 12 FOR ILLUSTRATION, SEE FIGURE 6-13 | | | |
| - 1 | 334 | 2 | FLATWASHER, 3/8 (SPECIAL) | | | |
| - 2 | 8725 | 1 | SAFETY PLUNGER | | | |
| - 3 | 1010317 | 1 | COMPRESSION SPRING | | | |
| - 4 | 8701 | 1 | TOW BAR BODY SUB ASSEMBLY | | | |
| - 5 | 7539 | 1 | SOCKET ASSEMBLY, RIGHT HAND INCLUDES ITEM 6 | | | |
| - 6 | 7602 | 1 | NUT, SLOTTED HEX, 3/8-24 UNF | | | |
| - 7 | 1035 | 2 | PIN, COTTER, 3/32 x 1" | | | |
| - 8 | 1308 | 1 | NUT, HEX, 1/2-20 | | | |
| - 9 | 1010029 | 1 | STEERING ARM WELD ASSEMBLY | | | |
| - 10 | 1010039 | 1 | WAVE SPRING WASHER | | | |
| - 11 | 1010028 | 1 | WASHER | | | |
| - 12 | 7910 | 1 | PIN, COTTER, 5/32 x 1" | | | |



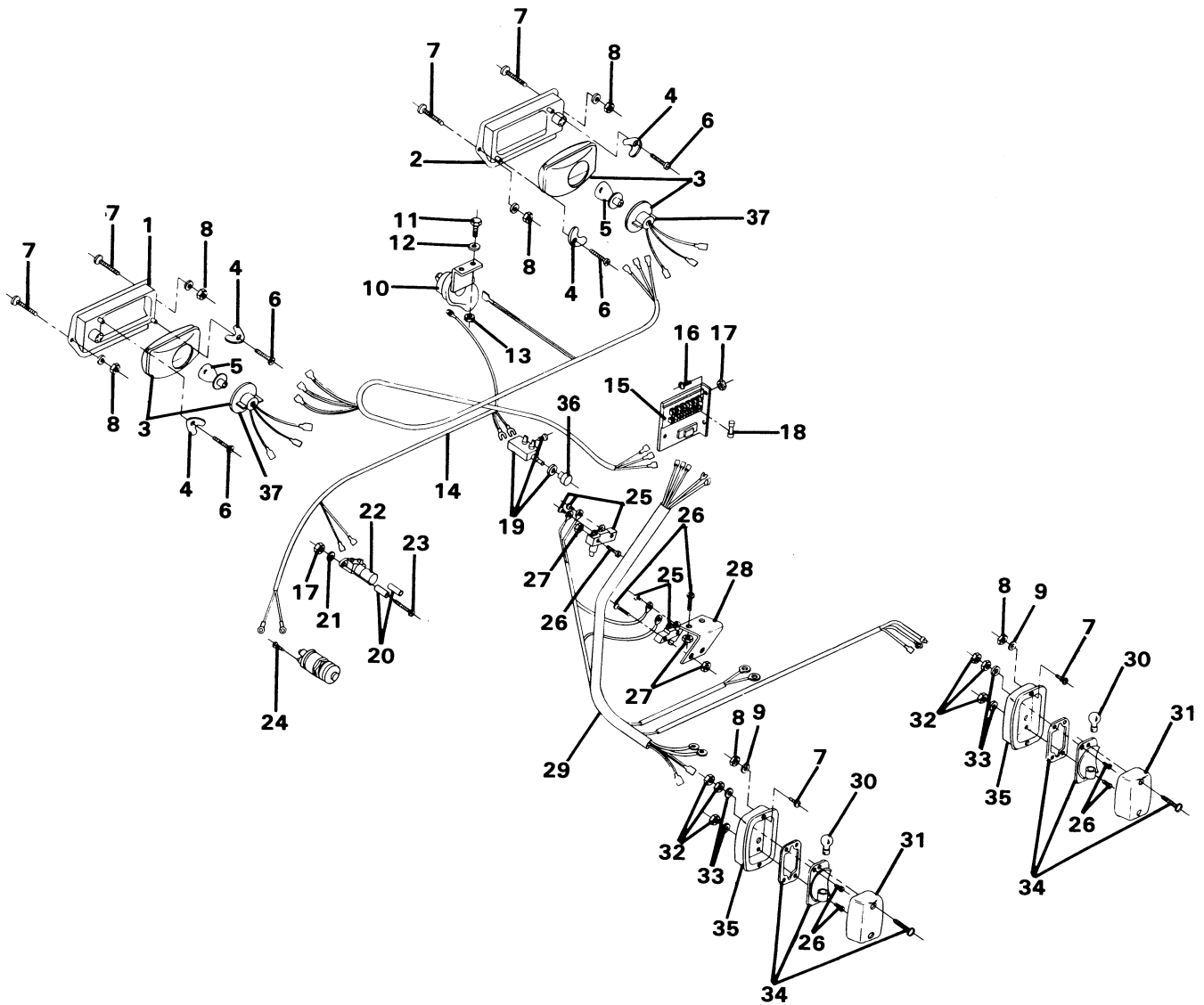


FIGURE 6-14. LIGHTING PACKAGE. SEE LIST 6-14.

LIGHTING PACKAGE

| FIGURE- ITEM NUMBER | PART NUMBER | UNITS PER ASM | DESCRIPTION | | | |
|---------------------------|----------------|---------------------|---|---|---|---|
| | | | 1 | 2 | 3 | 4 |
| 14 - | 1013804 | 1 | LIGHTING PACKAGE — COMPLETE | | | |
| - 1 | 1014176 | 1 | BEZEL & REFLECTOR ASSEMBLY — LEFT | | | |
| - 2 | 1014177 | 1 | BEZEL & REFLECTOR ASSEMBLY — RIGHT | | | |
| - 3 | 1014167 | 2 | HEADLAMP INCLUDES ITEMS 5 AND 37 | | | |
| - 4 | 1014156 | 4 | BRACKET — LAMP MOUNTING | | | |
| - 5 | 1014180 | 2 | BULB — HEADLAMP | | | |
| - 6 | 1010715 | 4 | SCREW — #10-14 TRI-LOB TRUSS HEAD | | | |
| - 7 | 1011498 | 8 | SCREW — #8-32 OVAL COUNTERSUNK HEAD MACHINE | | | |
| - 8 | 1011571 | 8 | NUT — #8-32 HEX | | | |
| - 9 | 1011610 | 5 | FLATWASHER — #8 | | | |
| - 10 | 4029 | 1 | HORN AND BRACKET ASSEMBLY | | | |
| - 11 | 304 | 2 | BOLT, HEX HEAD, 1/4-20 UNC x 1" | | | |
| - 12 | 332 | 2 | FLATWASHER, 1/4" | | | |
| - 13 | 8233 | 2 | LOCKNUT, 1/4-20 NYLON | | | |
| - 14 | 1013795 | 1 | WIRE HARNESS HEADLIGHT | | | |
| - 15 | 1011502 | 1 | TERMINAL BLOCK AND FUSE PANEL ASSEMBLY | | | |
| - 16 | 8104 | 2 | SCREW, ROUND HEAD, #10-32 x 3/4" | | | |
| - 17 | 7893 | 4 | NUT, HEX, #10-32 | | | |
| - 18 | 8106 | 3 | FUSE, 20 AMP | | | |
| - 19 | 4034 | 1 | LIGHT SWITCH INCLUDES ITEM 36 | | | |
| - 20 | 1010910 | 2 | STAND OFF DIMMER SWITCH | | | |
| - 21 | 8049 | 2 | LOCKWASHER, #10 INTERNAL TOOTH | | | |
| - 22 | 1010889 | 1 | DIMMER SWITCH | | | |
| - 23 | 1010909 | 2 | SCREW, ROUND HEAD, #10-32 x 1-1/4" | | | |
| - 24 | 1013443 | 1 | HORN BUTTON — FLOOR MOUNTED | | | |
| - 25 | 1011439 | 2 | OVERTRAVEL PLUNGER SWITCH | | | |
| - 26 | 1011557 | 10 | SCREW, SLOTTED PAN HEAD, #6-32 x 1" | | | |
| - 27 | 1011229 | 6 | LOCKNUT, "K", #6-32 UNC | | | |
| - 28 | 1011742 | 1 | BRAKE LIGHT SWITCH BRACKET | | | |
| - 29 | 1015516 | 1 | WIRE HARNESS TAILLIGHT | | | |
| - 30 | 1011582 | 2 | TAILLIGHT BULB | | | |
| - 31 | 1011843 | 2 | TAILLIGHT LENS | | | |
| - 32 | 1011558 | 6 | NUT, HEX HEAD, #6-32 UNC | | | |
| - 33 | 7591 | 4 | FLATWASHER, #6 | | | |
| - 34 | 1016618 | 2 | TAILLIGHT INCLUDES ITEMS 30 AND 31 | | | |
| - 35 | 1011497 | 2 | TAILLIGHT BEZEL | | | |
| - 36 | 1013857 | 1 | KNOB — LIGHT SWITCH | | | |
| - 37 | 1015575 | 2 | HEADLAMP SOCKET | | | |
| - 38 | 8990 | 9 | TIE WRAP | | | |
| - 39 | 1014179 | | HEADLIGHT ASSEMBLY — LEFT INCLUDES ITEMS 1, 2, 3, 4, AND 6 | | | |
| - 40 | 1014178 | | HEADLIGHT ASSEMBLY — RIGHT INCLUDES ITEMS 2, 3, 4, AND 6 | | | |





Section VII

MAINTENANCE SERVICE TOOLS

| DESCRIPTION | PART NO. |
|--|----------|
| Internal Retaining Pliers | 1013593 |
| Battery Load Tester, 12 Volt | 1012807 |
| Clutch Torsion Spring Tool | 1012806 |
| Brake Adjusting Tool | 1013582 |
| Fiberglass Repair Kit | 1012093 |
| Volt Ohm Meter | 1011480 |
| Continuity Tester | 1011273 |
| Retaining Ring Pliers (45° External) | 1012549 |
| Retaining Ring Pliers (90° Internal) | 1012560 |
| Keyswitch Tool | 1012801 |
| Seal Puller | 1012809 |
| Bearing Puller | 1012811 |
| Bearing Puller Wedge Attachment | 1012812 |
| Tachometer | 1012800 |
| Flywheel Puller | 1012802 |
| Drive Clutch Puller | 1012803 |
| Clutch Alignment Tool | 1012805 |
| Touch-Up Paint - Beige | 1011981 |
| Touch-Up Paint - White | 1013145 |
| Transmission Tool Kit | 1014115 |
| Drive and Driven Clutch Tool Kit | 1014114 |
| Drive Unit Pinion Seal Tool | 1014161 |
| Drive Unit Axle Seal Tool | 1014162 |
| Throttle Pivot Bushing Tool | 1014163 |
| Steering Column Bearing Press Tool | 1014261 |
| Steering Column Retaining Ring Tool | 1014259 |
| Battery Terminal Protector | 1014305 |
| Dry Graphite Lubricant | 1012151 |
| Governor Guard | 1016048 |
| Flexible Cowl Repair Kit | 1014963 |
| Flexible Cowl Paint Repair Kit | 1015491 |

Please refer to the appropriate Maintenance and Service Manual for proper tool application.



