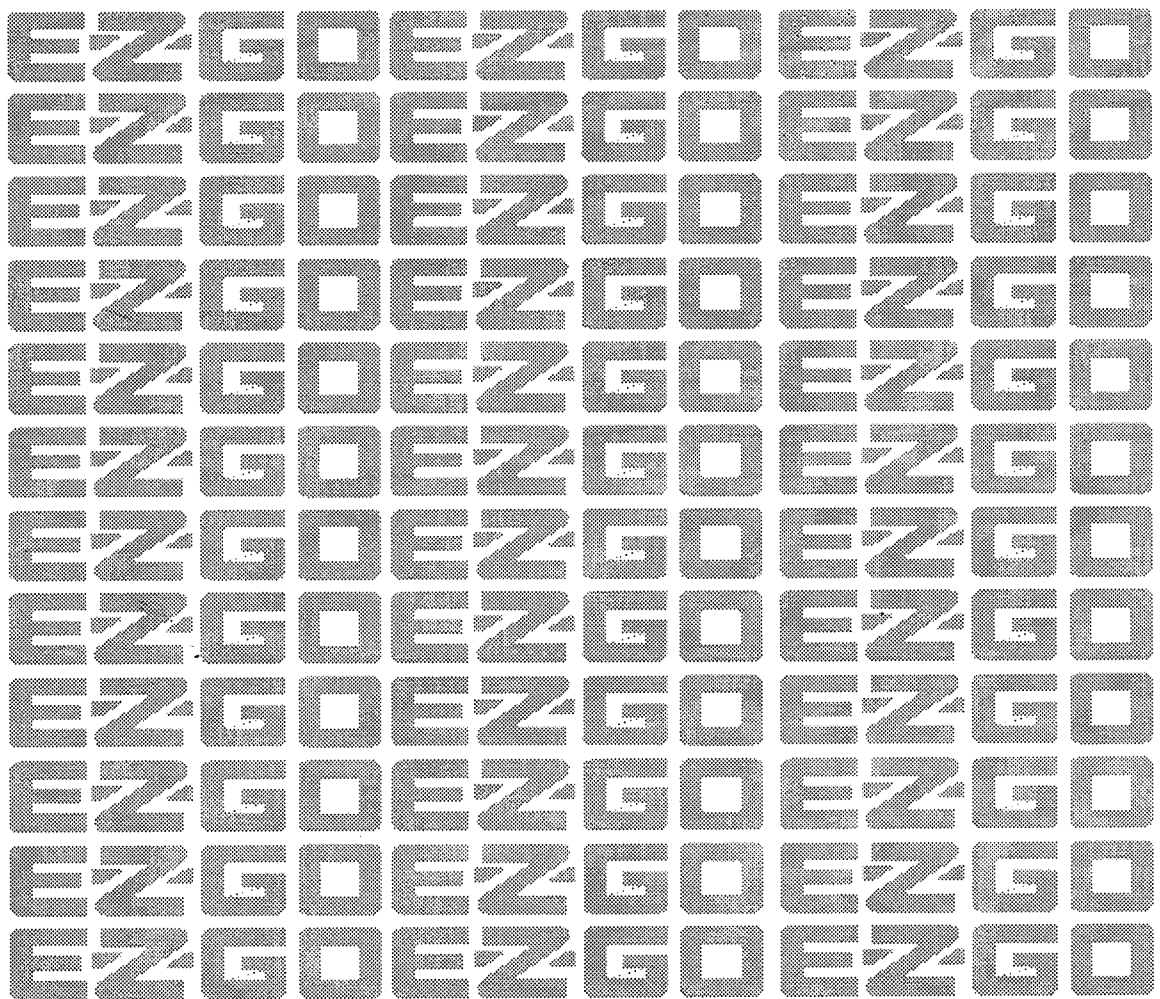




ELECTRIC POWERED  
CARGO AND  
PERSONNEL CARRIERS  
**SERVICE  
PARTS MANUAL**



**SERVICE PARTS MANUAL  
ELECTRIC POWERED  
CARGO AND  
PERSONNEL CARRIERS**

**MODEL YEAR 1991/1992/1993**

**MANUAL NO. 33000-G01 ISSUED 4/01/93**

**CARGO CARRIERS**

XI-775

XI-875

XI-881

**PERSONNEL CARRIERS**

PCX-952

PCX-954

PCX-955

PCX-956

PCX-957

**CARGO/PERSONNEL CARRIERS**

XI-875P

**BEVERAGE CARRIER**

BCX-960

## LIMITED WARRANTY

---

TO OBTAIN A COPY OF THE LIMITED WARRANTY THAT IS APPLICABLE TO YOUR VEHICLE, CALL OR WRITE YOUR LOCAL DISTRIBUTOR, BRANCH, OR E-Z-GO WARRANTY DEPARTMENT.

**NOTE**

The use of NON E-Z-GO parts may void your warranty.

**NOTE**

Overfilling of batteries may void your warranty.

# GENERAL INDEX

SECTIONS	Page No.
How to use the E-Z-GO Service Manual .....	vii

## ILLUSTRATED PARTS BREAKDOWN

Illustration	ELECTRIC VEHICLE	Page No.
ACCELERATOR PEDAL ASSEMBLY (SOLID STATE SPEED CONTROL VERSION) .....		A-1
Accelerator Pedal		
Accelerator Rod		
Potentiometer Assembly		
ACCELERATOR SWITCH ASSEMBLY (RESISTOR COIL VERSION) .....		B-1
Accelerator Switch		
Accelerator Pedal		
BATTERY CHARGER, ONBOARD .....		C-1
Heatsink		
Diode		
Electronic Module Assembly		
BATTERY CHARGER, PORTABLE .....		D-1
Heatsink		
Diode		
Electronic Module Assembly		
BRAKES, HYDRAULIC, REAR .....		E-1
Brake Linkage Assembly		
Brake Pedal Assembly		
Master Cylinder		
BRAKES, MECHANICAL .....		F-1
Brake Linkage Assembly		
Brake Pedal Assembly		
Brake Yoke Assembly		
DIRECTION SELECTOR LEVER .....		G-1
Contact Board Assembly		
Handle Kit		
ELECTRICAL .....		H-1
Charger Wire Harness		
Receptacle Holder		
Headlight and Turn Signal		
State of Charge Meter		
Horn Switch Assembly		



# GENERAL INDEX

---

## SECTIONS

ELECTRIC  
VEHICLE

Illustration	Page No.
FRONT STEERING / SUSPENSION .....	I-1
Front Axle Assembly	
Tie Rod Assembly	
Steering Assembly	
FRONT HYDRAULIC BRAKES .....	J-1
Brake Shoe	
Hub and Drum	
HEAVY DUTY ELECTRONIC CONTROLLER AND SOLENOID ASSEMBLY .....	K-1
Resistor	
Solenoid	
HINGED LOAD DECK .....	L-1
Deck Assembly	
Support Rod	
MODEL DETAILS .....	M-1
Cowl Assembly	
Instrument Panel	
Floor mat	
Deck Frame Assembly	
Bar Assembly	
Front Seat Assembly	
MOTOR, 2 H.P. ....	N-1
Armature	
Bearings	
Brush	
REAR AXLE, HYDRAULIC BRAKES .....	P-1
Differential Assembly	
Axle Shaft	
REAR AXLE, MECHANICAL BRAKES .....	P-5
Differential Assembly	
Axle Shaft	
REAR SUSPENSION .....	Q-1
Leaf Spring	
Shock Absorber	
SEATING, BENCH .....	R-1
Seat Assembly	
Hinge	

# GENERAL INDEX

---

## SECTIONS

ELECTRIC  
VEHICLE

### Illustration

Page No.

SEATING, CONVERTIBLE .....	R-3
Hinge	
Seat Assembly	
SEATING, FRONT .....	R-5
Front Seat Assembly	
Hinge	
Rubber Mat	
SEATING, PEDESTAL .....	R-7
Seat Assembly	
SOLENOID AND RESISTOR ASSEMBLY .....	S-1
Solenoid	
Diode	
Resistor Coil	
WHEELS AND TIRES .....	T-1
Wheel	
Valve Stem	

## APPENDIX

SERVICE ACCESSORIES AND SPECIAL TOOLS .....	Appendix-1
---	------------

# GENERAL INDEX

---

# HOW TO USE THE E-Z-GO SERVICE PARTS MANUAL

---

This manual is divided into several sections:

1. GENERAL INFORMATION
2. ILLUSTRATED PARTS BREAKDOWN FOR ELECTRIC POWERED CARGO AND PERSONNEL CARRIERS
3. APPENDIX A

The first section, **GENERAL INFORMATION**, contains the following informations:

1. WARRANTY INFORMATION
2. GENERAL INDEX
3. HOW TO USE THE E-Z-GO SERVICE PARTS MANUAL

The second section, **ILLUSTRATED PARTS BREAKDOWN (IPB) FOR ELECTRIC POWERED CARGO AND PERSONNEL CARRIERS**, contains illustrations and parts lists for all systems of the electric powered cargo and personnel carriers.

The third section, **SERVICE ACCESSORIES AND SPECIAL TOOLS**, contains a listing of E-Z-GO service accessories and special tools that may be purchased from the company to aid in the servicing of the vehicle.

## USE OF THE MANUAL

To use this manual, consult the **GENERAL INDEX** (located in the first section) to locate the information or illustration required.

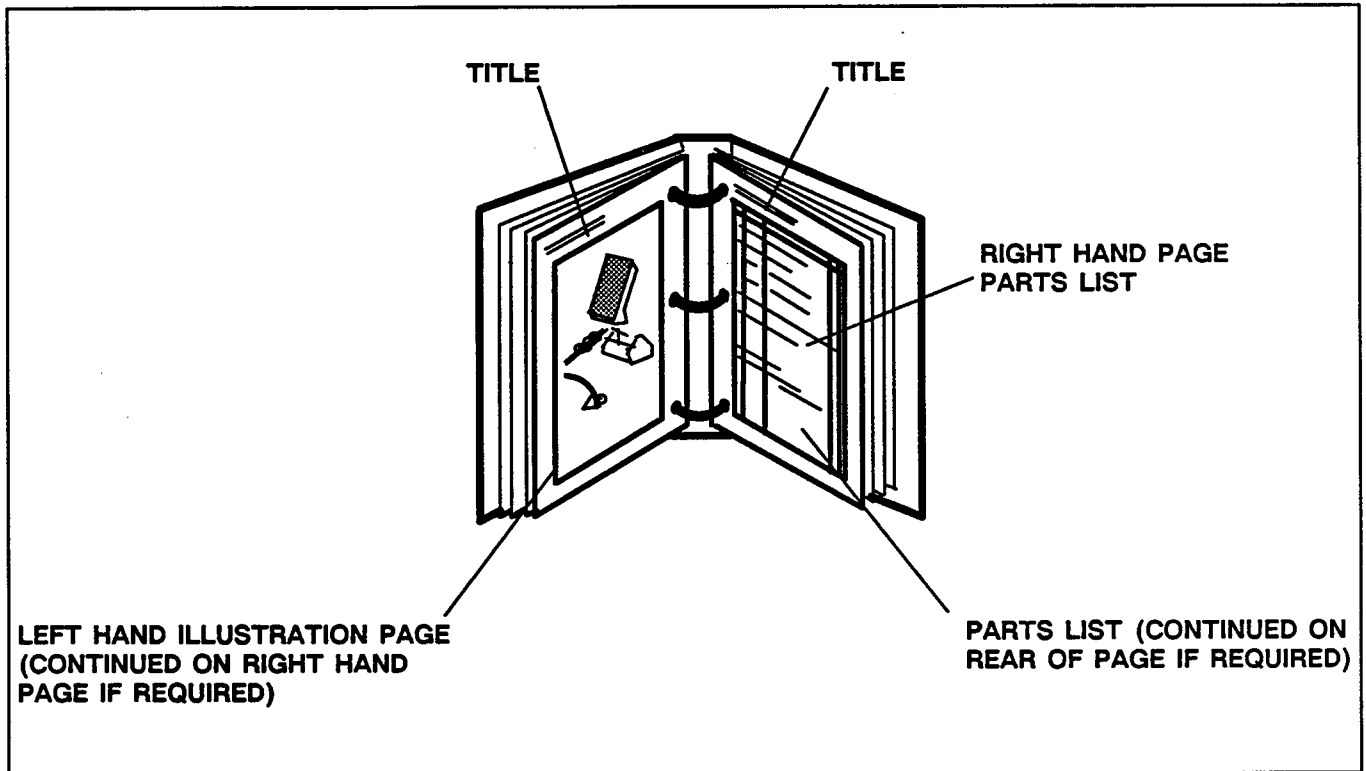
Introduction of some revisions varies due to supply of components; therefore, it is possible that various combinations of components may be found that are not directly reflected by each illustration. Consult the illustration that best suits your situation and contact the Service Parts Department. It is important that the serial number of your vehicle and its model number be supplied to Service Parts when ordering any replacement components.

Locate the serial number plate (see Body and Associated Parts located in the IPB section of this manual for its location) and note the complete number shown on the plate.

Each system is listed in the index and has an alphabetical prefix. The illustration always appears first and is followed by its related parts list. Additional illustrations and parts lists with the same prefix indicate significant changes that have taken place since the last issue.

Note that many alphabetical prefixes are omitted. These prefixes have been assigned to systems that are not relevant to your vehicle. The index lists all relevant sections that pertain to your vehicle.

# HOW TO USE THE E-Z-GO SERVICE PARTS MANUAL



## 1. WHEN THE PART NUMBER IS *NOT* KNOWN.

- a. Determine the function and application of the part required. Turn to the General Index and select the most appropriate title.
- b. Turn to the page number indicated and locate the desired part on the illustration.
- c. From the illustration, obtain the item number assigned to the desired part. Refer to the accompanying description for specific information regarding the part.

## 2. IF YOU KNOW THE PART NUMBER.

Locate the part number or description in the appropriate column on the parts list page.

NOTE: It is suggested that you confirm that the part selected is correct by verifying it with the pictorial representation on the illustration page.

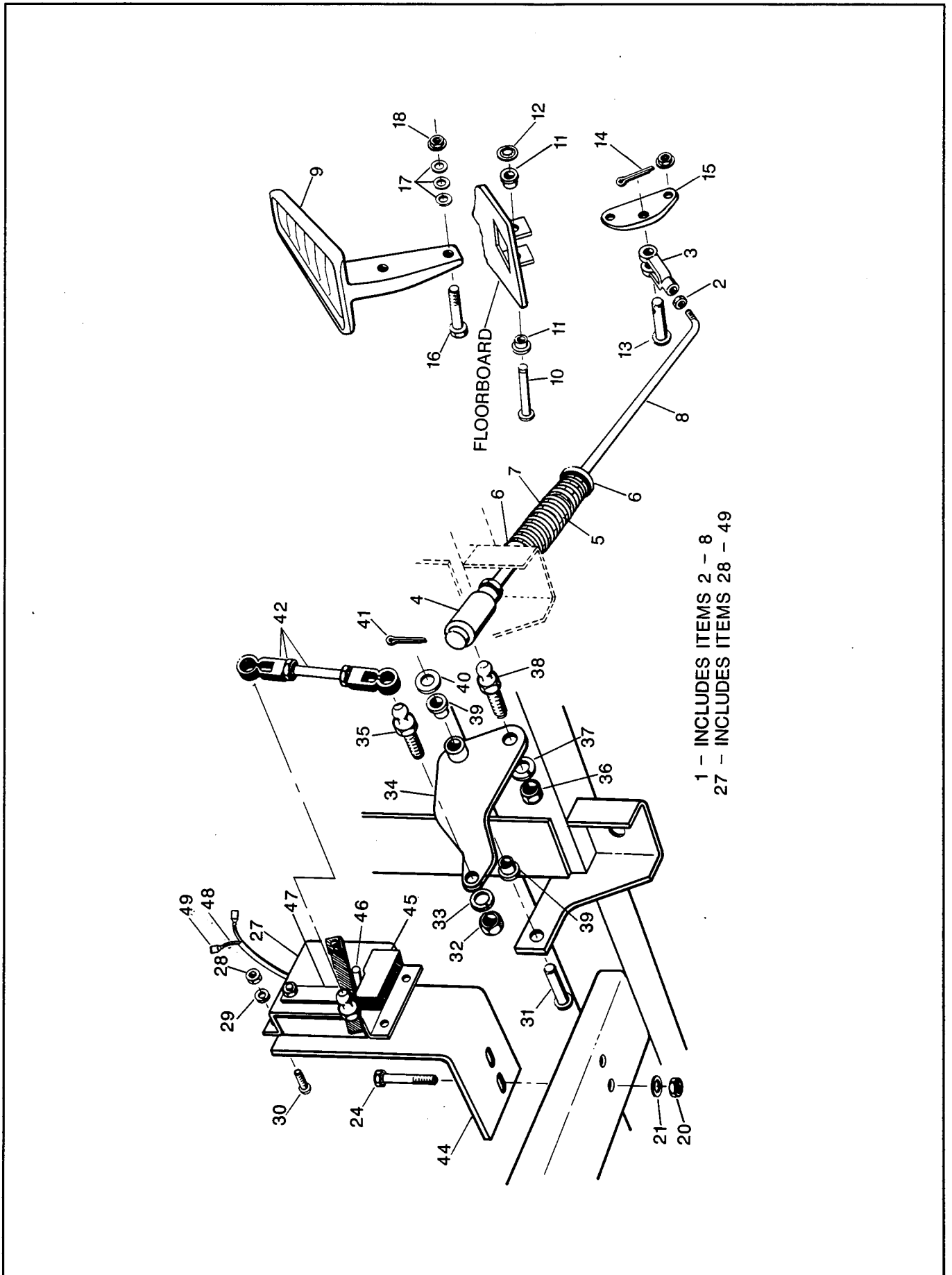
Should an asterisk(\*) appear in the part number column on the parts list page, read upwards until a part number is found. The part number is the *lowest* assembly sold by E-Z-GO and the asterisk (\*) indicates that the part depicted is not available for sale by E-Z-GO.

NOTE: Descriptions are *indented* under the assembly that they are used on. That assembly is, in turn, listed under the assembly that it is used on. This process is repeated until the highest or *final assembly* is reached.

To facilitate the maintenance and repair of vehicle, an Operation and Service Manual is available from the E-Z-GO Service Parts Department.

---

**ILLUSTRATED PARTS BREAKDOWN**  
**ELECTRIC POWERED CARGO AND PERSONNEL CARRIERS**



1 - INCLUDES ITEMS 2 - 8  
27 - INCLUDES ITEMS 28 - 49

# ACCELERATOR PEDAL ASSEMBLY

THE USE OF NON U.L. PARTS WILL VOID ANY U.L. LISTING.

When ordering parts, please specify the model and serial number of the product.

\* Indicates a component that is not available as an individual part.

MODEL
SOLID STATE SPEED CONTROL

ITEM	PART NO.	1	2	3	4	5	DESCRIPTION	QTY	
1	32441-G1						ACCELERATOR ROD ASSEMBLY (INCLUDES ITEMS 2 - 8) .....	1	
2	00544-G4						NUT, JAM, 5/16-24 .....	2	
3	10385-G4						YOKE, CLEVIS .....	1	
4	14444-G3						BALL JOINT, SOCKET, 5/16 - 24 .....	1	
5	17675-G1						SPRING, COMPRESSION .....	1	
6	17677-G1						RETAINER, SPRING .....	2	
7	17979-G1						BUSHING, ACCELERATOR ROD .....	1	
8	32393-G1						ROD, ACCELERATOR .....	1	
9	30214-G1						PEDAL, ACCELERATOR .....	1	
10	32440-G1						PIN, ACCELERATOR PEDAL .....	1	
11	30215-G1						BUSHING, PEDAL .....	2	
12	12064-G2						PUSHNUT .....	1	
13	10386-G3						PIN, CLEVIS .....	1	
14	10387-G3						PIN, COTTER .....	2	
15	32402-G1						ARM, LEVER .....	1	
16	00439-G4						SCREW, 5/16 - 18 X 1 1/2 .....	1	
17	00559-G8						WASHER, 5/16 .....	3	
18	14390-G2						NUT, LOCK, 5/16 - 18 .....	1	
19	32399-G1						SUPPORT, PEDAL .....	1	
20	14390-G4						NUT, LOCK, 1/4 - 20 .....	2	
21	00559-G7						WASHER, 1/4 .....	2	
22									
23									
24	00415-G4						SCREW, 1/4 - 20 X 1/2 .....	2	
25									
26									
27	32979-G1						POTENTIOMETER ASSEMBLY (INCLUDES ITEMS 28 - 49) .....	1	
28	*						NUT, #10 - 24 .....	2	
29	*						WASHER, #10 .....	2	
30	*						SCREW, #10 - 24 X 1/2 .....	2	
31	*						PIN, CLEVIS .....	1	
32	*						NUT, #10 - 32 .....	1	
33	*						WASHER, #10 .....	1	
34	*						ARM, PIVOT .....	1	



# ACCELERATOR PEDAL ASSEMBLY

THE USE OF NON U.L. PARTS WILL VOID ANY U.L. LISTING.

When ordering parts, please specify the model and serial number of the product.

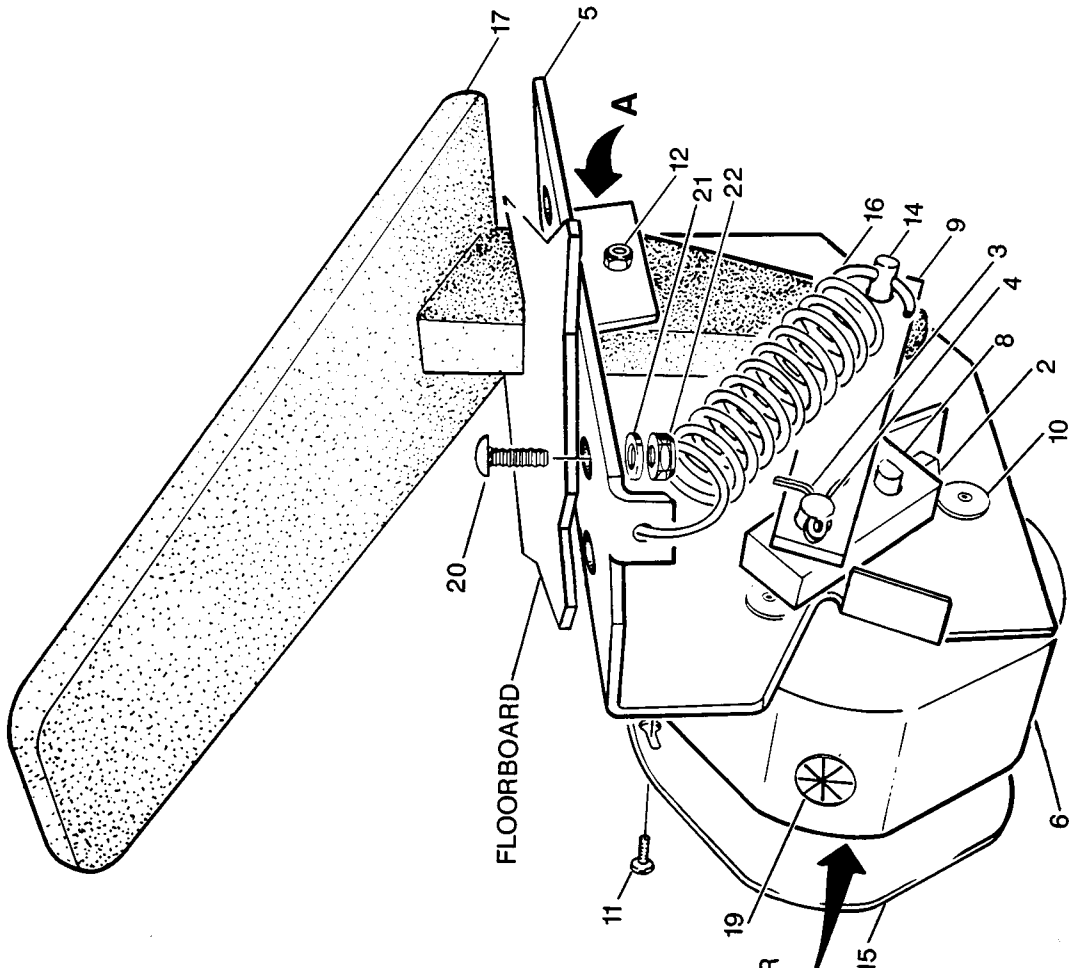
\* Indicates a component that is not available as an individual part.

MODEL
SOLID STATE SPEED CONTROL

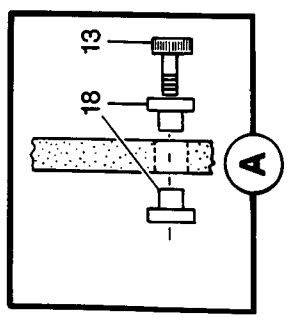
ITEM	PART NO.	1	2	3	4	5	DESCRIPTION	QTY		
35	*						BALL, BALL JOINT .....		1	
36	*						NUT, LOCK, NYLON INSERT, 5/16 - 24 .....		1	
37	*						WASHER, LOCK, #10 .....		1	
38	*						BALL, BALL JOINT .....		1	
39	*						BUSHING, NYLINER .....		1	
40	*						WASHER .....		1	
41	*						PIN, COTTER .....		1	
42	*						ROD, ADJUSTING .....		1	
43										
44	*						SUPPORT, BRACKET .....		1	
45	*						MICRO SWITCH .....		1	
46	*						STANDOFF .....		1	
47	*						SUPPORT, MICRO SWITCH .....		1	
48	*						WIRE .....		1	
49	*						TERMINAL, PUSH ON .....		2	

# ACCELERATOR PEDAL ASSEMBLY

---



1 - ACCELERATOR ASSEMBLY  
INCLUDES ITEMS 2-11



# ACCELERATOR SWITCH ASSEMBLY

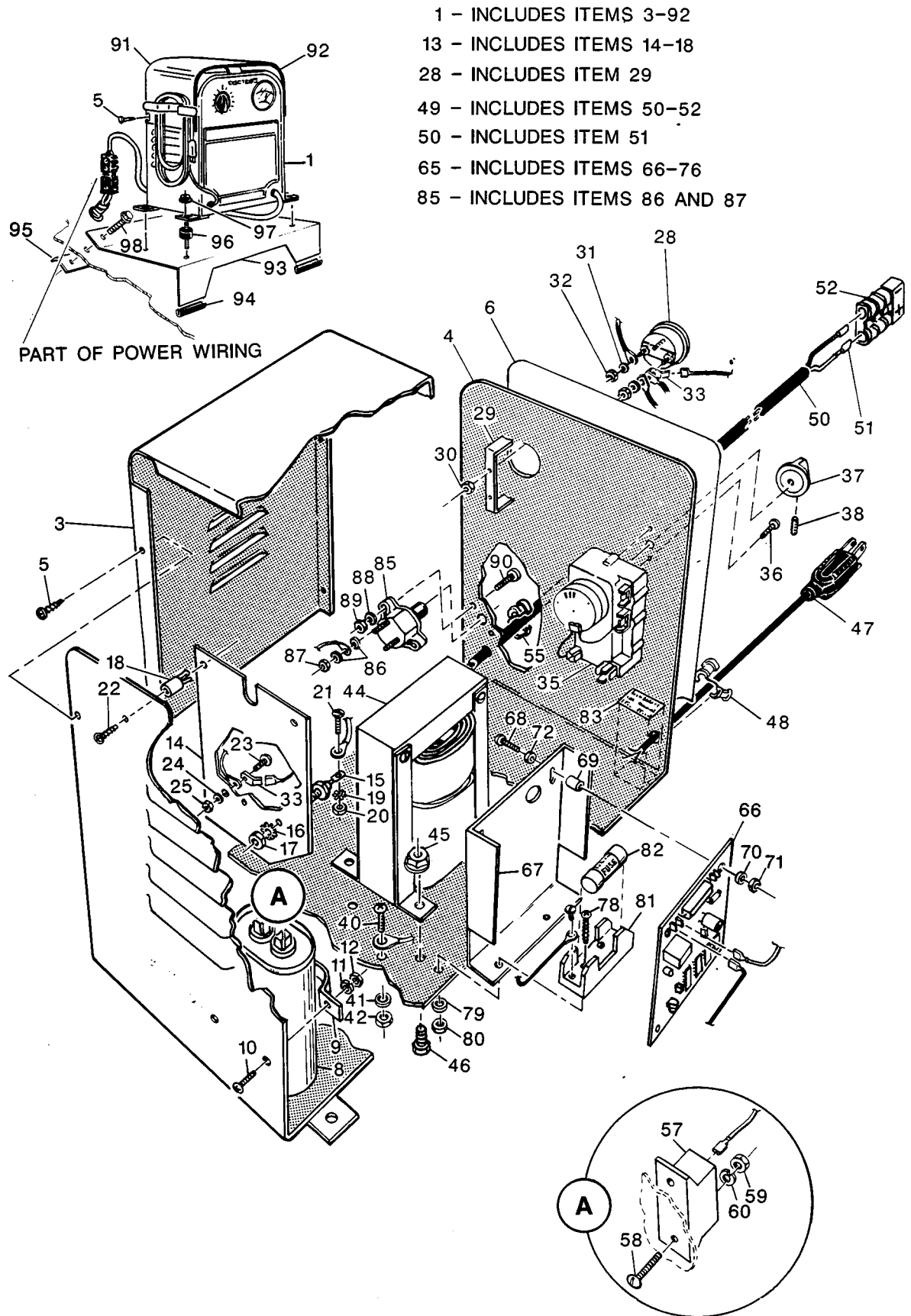
THE USE OF NON U.L. PARTS WILL VOID ANY U.L. LISTING.

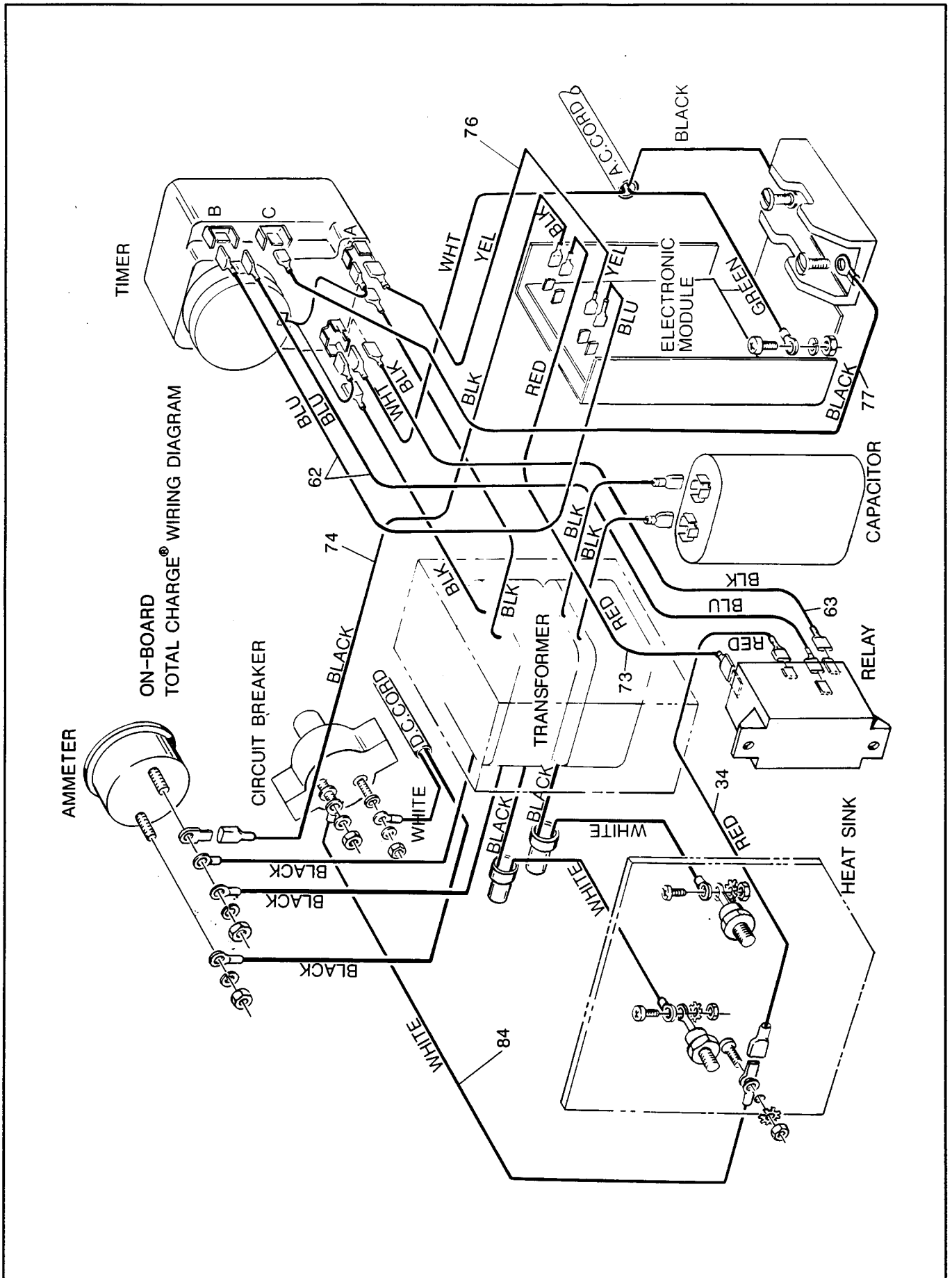
When ordering parts, please specify the model and serial number of the product.

\* Indicates a component that is not available as an individual part.

MODEL
RESISTOR COIL VERSION

ITEM	PART NO.	1	2	3	4	5	DESCRIPTION	QTY		
1	30206-G1						ACCELERATOR ASSEMBLY (INCLUDES ITEMS 2 - 11) .....		1	
2	00491-G4						SCREW, SET, 1/4 - 20 X 1/2 LG. ....		1	
3	10387-G3						PIN, COTTER, 3/32 X 3/4 .....		1	
4	14443-G4						PIN, CLEVIS, 5/16 X 1 .....		1	
5	30207-G1						BRACKET, ACCELERATOR SWITCH .....		1	
6	30208-G2						BOX, ACCELERATOR SWITCH .....		1	
7	30210-G1						SWITCH, ACCELERATOR .....		1	
8	30211-G1						BLOCK, ACCELERATOR .....		1	
9	30212-G1						LINK, LONG, ACCELERATOR, .....		1	
10	30403-G2						RIVET, MONOBOLT, 1/4 X 3/8 .....		2	
11	*						SCREW .....		1	
12	11098-G7						NUT, LOCK, NYLON INSERT, 10 - 24 .....		1	
13	13005-G3						SCREW, SHOULDER, 10 - 24 X 1 LG. ....		1	
14	14443-G4						PIN, CLEVIS, 5/16 X 1 .....		1	
15	30209-G2						COVER, ACCELERATOR SWITCH BOX .....		1	
16	30213-G1						SPRING, ACCELERATOR .....		1	
17	30214-G1						PEDAL, ACCELERATOR .....		1	
18	30215-G1						BUSHING, NYLON FLANGED .....		2	
19	31289-G1						BUSHING, NYLON SNAP .....		1	
20	16705-G3						SCREW, STAINLESS STEEL, 1/4 - 20 X 3/4 LG. ....		3	
21	00660-G7						WASHER, STAINLESS STEEL, 1/4 .....		3	
22	14390-G4						NUT, LOCK, NYLON INSERT, 1/4 -20 .....		3	





# BATTERY CHARGER, ONBOARD

THE USE OF NON U.L. PARTS WILL VOID ANY U.L. LISTING.

When ordering parts, please specify the model and serial number of the product.

\* Indicates a component that is not available as an individual part.

ITEM	PART NO.	1	2	3	4	5	DESCRIPTION	MODEL		
								775 875	875P 881	
								QTY		
1	30474-G02	BATTERY CHARGER, 36 VOLT, TOTAL CHARGE, ON-BOARD (INCLUDES ITEMS 2 - 92) .....						1	1	
2										
3	30463-G1	TOP COVER .....						1	1	
4	24920-G1	CHASSIS .....						1	1	
5	00614-G4	SCREW, SELF TAPPING, #8 X 1/2 LG. ....						10	10	
6	*	LABEL, OPERATING INSTRUCTION .....						1	1	
7										
8	17077-G1	CAPACITOR .....						1	1	
9	11559-G1	BRACKET, CAPACITOR .....						1	1	
10	00372-G4	SCREW, #8 - 32 X 1/2 LG. ....						2	2	
11	00565-G4	WASHER, LOCK, #8 .....						2	2	
12	00526-G1	NUT, #8 - 32 .....						2	2	
13	18768-G2	ASSEMBLY, HEATSINK (INCLUDES ITEMS 14 - 18) .....						1	1	
14	18489-G1	HEATSINK .....						1	1	
15	18488-G1	DIODE, SILICONE RECTIFIER .....						2	2	
16	00567-G7	WASHER, LOCK, 1/4 .....						2	2	
17	00532-G2	NUT, 1/4-28 .....						2	2	
18	11572-G2	NUT, PLASTIC EXPANSION .....						3	3	
19	00567-G3	WASHER, LOCK, EXTERNAL TOOTH, #6 .....						2	2	
20	00525-G5	NUT, #6-32 .....						2	2	
21	00138-G3	SCREW, #6 - 32 X 3/8 LG. ....						2	2	
22	00512-G7	SCREW, SELF TAPPING, #8 X 7/8 LG. ....						3	3	
23	00378-G4	SCREW, #10 - 24 X 1/2 LG. ....						1	1	
24	00565-G5	WASHER, LOCK, #10 .....						1	1	
25	00526-G3	NUT, #10 - 24 .....						1	1	
26										
27										
28	18764-G1	AMMETER (INCLUDES ITEM 29) .....						1	1	
29	*	BRACKET, AMMETER .....						1	1	
30	00525-G5	NUT, #6 - 32 .....						2	2	
31	00565-G5	WASHER, LOCK, #10 .....						2	2	
32	00526-G4	NUT, #10 - 32 .....						2	2	
33	12914-G1	TAB, FASTON .....						2	2	
34	21979-G1	WIRE, 18 GAUGE .....						1	1	

# BATTERY CHARGER, ONBOARD

THE USE OF NON U.L. PARTS WILL VOID ANY U.L. LISTING.

When ordering parts, please specify the model and serial number of the product.

\* Indicates a component that is not available as an individual part.

MODEL		
775	875P	
875	881	

ITEM	PART NO.	1	2	3	4	5	DESCRIPTION	QTY	
								775	875P
35	18052-G6						TIMER .....	1	1
36	00372-G2						SCREW, #8 - 32 X 1/4 LG. ....	2	2
37	11575-G1						KNOB, TIMER .....	1	1
38	00486-G4						SET SCREW, #8 - 32 X 1/2 LG. ....	1	1
39									
40	00372-G3						SCREW, #8 - 32 X 3/8 LG. ....	1	1
41	00565-G4						WASHER, LOCK #8 .....	1	1
42	00526-G1						NUT, #8 - 32 .....	1	1
43									
44	19928-G1						TRANSFORMER .....	1	1
45	11027-G2						NUT, LOCK, 1/4 - 20 .....	4	4
46	00414-G5						SCREW, 1/4 - 20 X 5/8 LG. ....	4	4
47	19388-G1						A.C. CORD .....	1	1
48	13557-G2						STRAIN RELIEF, PLASTIC, A.C. CORD .....	1	1
49	22052-G1						D.C. CORD ASSEMBLY, 2 FT. (INCLUDES ITEMS 50 - 52) ...	1	1
50	22050-G1						D.C. CORD SUBASSEMBLY, 2 FT. (INCLUDES ITEM 51) ..	1	1
51	*						CONTACT CONNECTOR .....	2	2
52	18782-G1						CONNECTOR .....	1	1
53									
54									
55	13557-G3						STRAIN RELIEF, PLASTIC, D.C. CORD .....	1	1
56									
57	21971-G1						RELAY .....	1	1
58	00754-G4						SCREW, #6-32 X 1/2 LG. ....	2	2
59	00525-G5						NUT, #6 - 32 .....	2	2
60	00565-G3						WASHER, LOCK, #6 .....	2	2
61									
62	22992-G1						WIRE, 18 GAUGE .....	2	2
63	21978-G1						WIRE, 18 GAUGE .....	1	1
64									
65	19950-G3						ELECTRONIC MODULE ASSEMBLY (INCLUDES ITEMS 66 - 76)	1	1
66	*						MODULE .....	1	1
67	19459-G1						BRACKET .....	1	1
68	00138-G5						SCREW, #6 - 32 X 5/8 LG. ....	4	4



# BATTERY CHARGER, ONBOARD

THE USE OF NON U.L. PARTS WILL VOID ANY U.L. LISTING.

When ordering parts, please specify the model and serial number of the product.

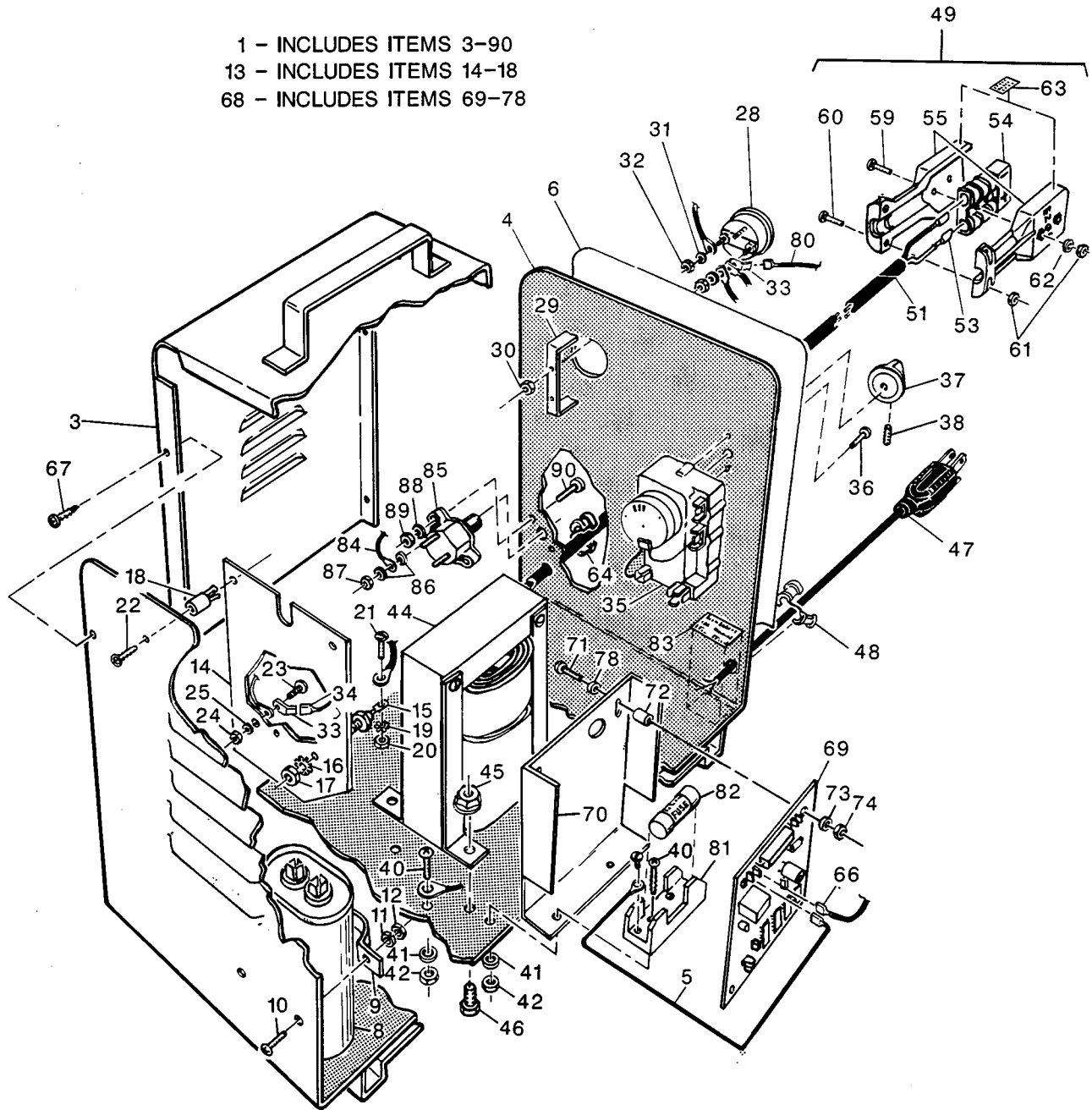
\* Indicates a component that is not available as an individual part.

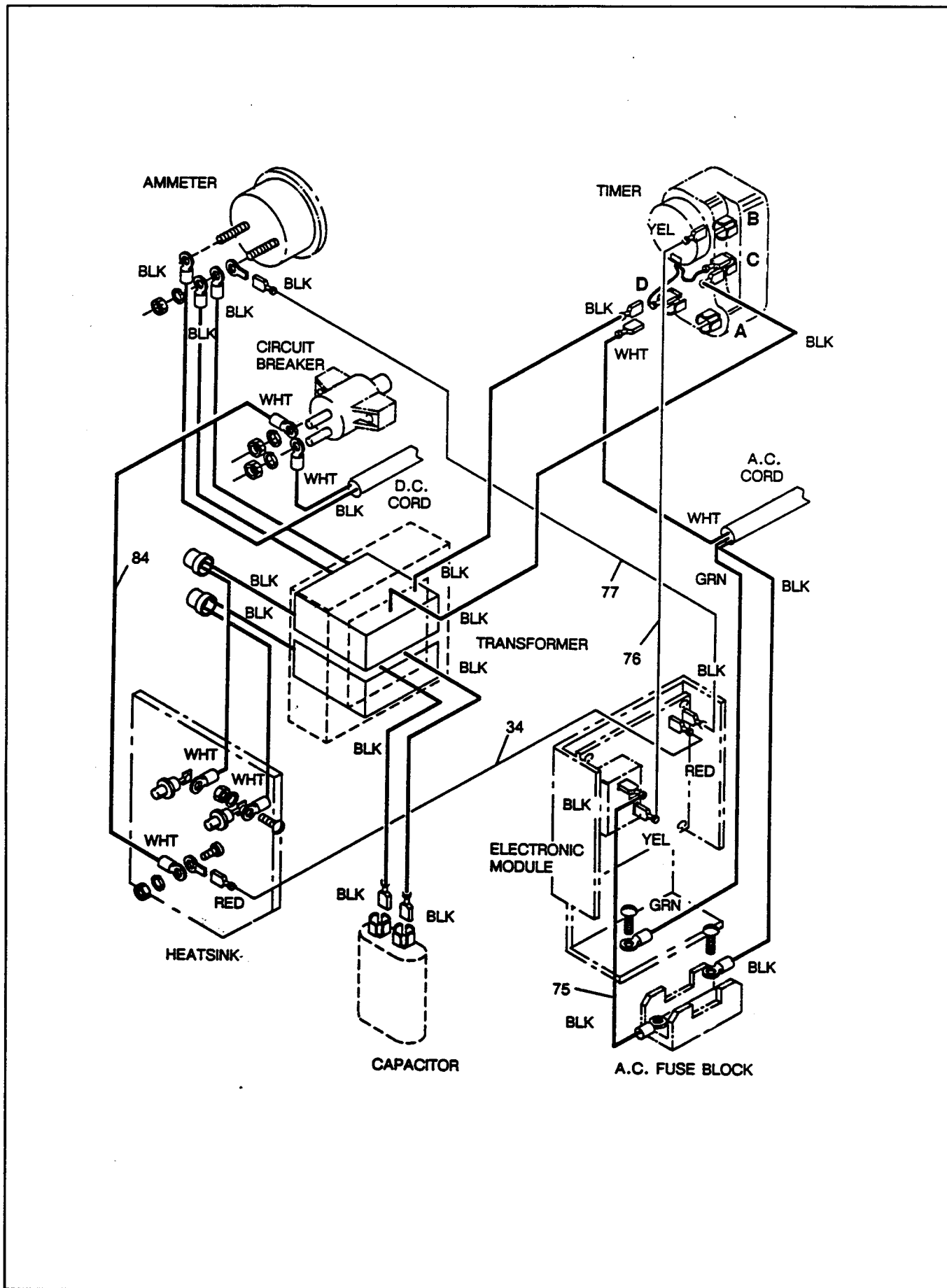
ITEM	PART NO.	1	2	3	4	5	DESCRIPTION	MODEL	
								775 875	875P 881
								QTY	
69	19081-G1						STANDOFF .....	4	4
70	00736-G1						WASHER, FLAT, NYLON .....	4	4
71	00735-G1						NUT, NYLON, #6 - 32 .....	4	4
72	00559-G3						WASHER, #6 .....	2	2
73	23388-G1						WIRE, 18 GAUGE .....	1	1
74	19554-G1						WIRE, 18 GAUGE .....	1	1
75									
76	19949-G1						WIRE ASSEMBLY, 16 GAUGE .....	1	1
77	19402-G1						WIRE, 16 GAUGE .....	1	1
78	00372-G5						SCREW, #8 - 32 X 5/8 LG. ....	2	2
79	00565-G4						WASHER, LOCK, #8 .....	2	2
80	00526-G4						NUT, #8 - 32 .....	2	2
81	19363-G1						FUSE BLOCK .....	1	1
82	19361-G1						FUSE, 15 AMP .....	1	1
83	19434-G1						LABEL, IDENTIFICATION .....	1	1
84	19441-G1						WIRE, 12 GAUGE .....	1	1
85	19362-G1						CIRCUIT BREAKER, 50 AMP (INCLUDES ITEMS 86, 87) .....	1	1
86	00559-G5						WASHER, #10 .....	2	2
87	00526-G4						NUT, #10 - 32 .....	2	2
88	00565-G4						WASHER, LOCK, #8 .....	2	2
89	00526-G1						NUT, #8 - 32 .....	2	2
90	00372-G6						SCREW, #8 - 32 X 3/4 LG. ....	2	2
91	22047-G1						SHIELD, CHARGER .....	1	1
92	18970-G1						TRIM, VINYL .....	1	1
93	22039-G1						SUPPORT, CHARGER .....	1	1
94	22281-G3						TRIM, VINYL .....	2	2
95	30468-G1						ANGLE, REINFORCEMENT .....	1	1
96	22009-G1						MOUNT, ISOLATION .....	4	4
97	11027-G4						NUT, LOCK, 1/4 - 20 .....	4	4
98	13437-G4						SCREW, LOCK, 3/8 - 16 X 1 LG. ....	2	2

# BATTERY CHARGER, ONBOARD

---

- 1 - INCLUDES ITEMS 3-90
- 13 - INCLUDES ITEMS 14-18
- 68 - INCLUDES ITEMS 69-78





# BATTERY CHARGER, PORTABLE

THE USE OF NON U.L. PARTS WILL VOID ANY U.L. LISTING.

When ordering parts, please specify the model and serial number of the product.

\* Indicates a component that is not available as an individual part.

MODEL		
952	956	
954	957	
955	960	

ITEM	PART NO.	1	2	3	4	5	DESCRIPTION	QTY		
								952	956	
1	20484-G01						BATTERY CHARGER, 36 VOLT, 10 FEET D.C. CORD (INCLUDES ITEMS 3 - 90) .....	1	1	
2										
3	19096-G1						TOP COVER .....	1	1	
4	24919-G1						CHASSIS .....	1	1	
5										
6	*						LABEL, OPERATING INSTRUCTIONS (SERIALIZED) .....	1	1	
7										
8	17077-G1						CAPACITOR (INCLUDES ITEM 9) .....	1	1	
9	11559-G1						BRACKET, CAPACITOR .....	1	1	
10	00372-G4						SCREW, #8 - 32 X 1/2 LG. ....	2	2	
11	00565-G4						WASHER, LOCK, #8 .....	2	2	
12	00526-G1						NUT, #8 - 32 .....	2	2	
13	18768-G2						HEAT SINK ASSEMBLY, SERVICE (INCLUDES ITEMS 14 - 18) .	1	1	
14	18489-G1						HEAT SINK .....	1	1	
15	18488-G1						DIODE, SILICONE RECTIFIER .....	2	2	
16	00567-G7						WASHER, LOCK, 1/4 .....	2	2	
17	00532-G2						NUT, 1/4 - 28 .....	2	2	
18	11572-G2						NUT, PLASTIC EXPANSION .....	3	3	
19	00567-G3						WASHER, LOCK, EXTERNAL TOOTH, #6 .....	2	2	
20	00525-G5						NUT, #6 - 32 .....	2	2	
21	00138-G3						SCREW, #6 - 32 X 3/8 LG. ....	2	2	
22	00512-G7						SCREW, SELF TAPPING, #8 X 7/8 LG. ....	3	3	
23	00378-G4						SCREW, #10 - 24 X 1/2 LG. ....	1	1	
24	00526-G3						NUT, #10 - 24 .....	1	1	
25	00565-G5						WASHER, LOCK, #10 .....	1	1	
26										
27										
28	18764-G1						AMMETER .....	1	1	
29	*						BRACKET, AMMETER .....	1	1	
30	00525-G5						NUT, #6 - 32 .....	2	2	
31	00565-G5						WASHER, LOCK, #10 .....	2	2	
32	00526-G4						NUT, #10 - 32 .....	2	2	
33	12914-G1						TAB, FASTON .....	2	2	
34	19952-G1						WIRE, 18 GAUGE .....	1	1	

# BATTERY CHARGER, PORTABLE

THE USE OF NON U.L. PARTS WILL VOID ANY U.L. LISTING.

When ordering parts, please specify the model and serial number of the product.

\* Indicates a component that is not available as an individual part.

MODEL		
952	956	
954	957	
955	960	

ITEM	PART NO.	1	2	3	4	5	DESCRIPTION	QTY		
35	18052-G1						TIMER .....	1	1	
36	00372-G2						SCREW, #8 - 32 X 1/4 LG. ....	2	2	
37	11575-G1						KNOB, TIMER .....	1	1	
38	00486-G4						SETSCREW, #8 - 32 X 1/2 LG. ....	1	1	
39										
40	00372-G3						SCREW, #8 - 32 X 3/8 LG. ....	1	1	
41	00565-G4						WASHER, LOCK, #8 .....	1	1	
42	00526-G1						NUT, #8 - 32 .....	1	1	
43										
44	19928-G1						TRANSFORMER .....	1	1	
45	11027-G2						NUT, LOCK, 1/4 - 20 .....	4	4	
46	00414-G5						SCREW, 1/4 - 20 X 5/8 LG. ....	4	4	
47	19388-G1						A.C. CORD .....	1	1	
48	13557-G2						STRAIN RELIEF, PLASTIC (A.C. CORD) .....	1	1	
49	18747-G1						D.C.CORD ASSEMBLY, 10 FEET (INCLUDES ITEMS 51 - 63) .	1	1	
50										
51	14489-G2						D.C.CORD, 10 FEET .....	1	1	
52										
53	*						CONTACT, CONNECTOR .....	2	2	
54	18782-G1						CONNECTOR (BLACK) .....	1	1	
55	18972-G1						HANDLE INSTALLATION KIT (INCLUDES ITEMS 56 - 63) .....	1	1	
56	*						HANDLE, HALF, L.H. ....	1	1	
57	*						HANDLE, HALF, R.H. ....	1	1	
58										
59	00647-G8						SCREW, #6 - 32 X 29/32 LG. ....	2	2	
60	00647-G3						SCREW, #6 - 32 X 3/8 LG. ....	2	2	
61	13521-G5						NUT, LOCK, #6 - 32 .....	4	4	
62	00650-G2						WASHER, FLAT, #5 .....	AR	AR	
63	20628-G1						LABEL, CAUTION .....	1	1	
64	13557-G3						STRAIN RELIEF, PLASTIC (D.C. CORD) .....	1	1	
65										
66										
67	00614-G4						SCREW, SELF TAPPING, #8 X 1/2 LG. ....	10	10	
68	19950-G1						ELECTRONIC MODULE ASSEMBLY (INCLUDES ITEMS 69 - 78) .....	1	1	

# BATTERY CHARGER, PORTABLE

THE USE OF NON U.L. PARTS WILL VOID ANY U.L. LISTING.

When ordering parts, please specify the model and serial number of the product.

\* Indicates a component that is not available as an individual part.

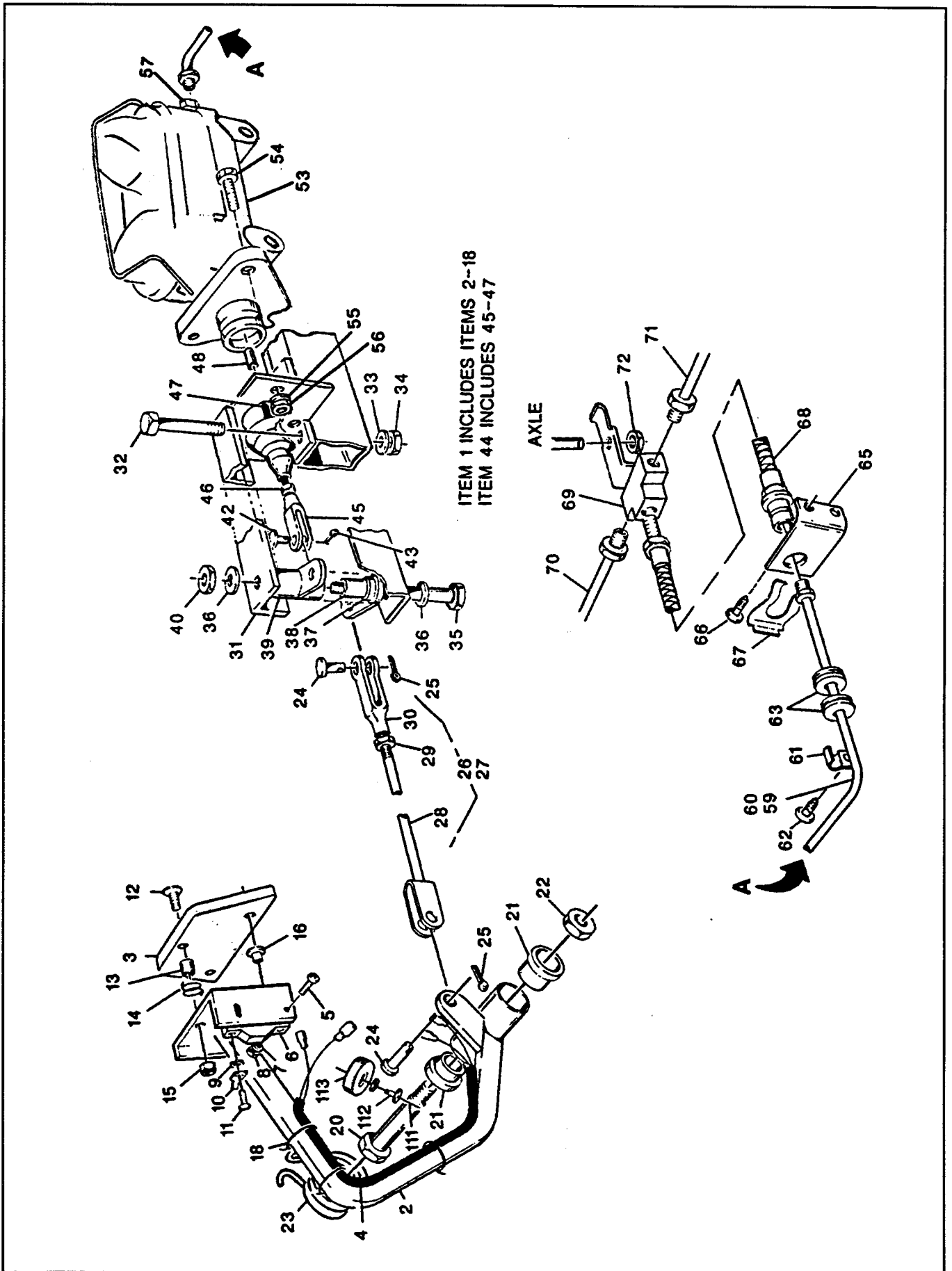
MODEL		
952	956	
954	957	
955	960	

ITEM	PART NO.	1	2	3	4	5	DESCRIPTION	QTY		
69	*						MODULE .....	1	1	
70	19459-G1						BRACKET .....	1	1	
71	00138-G5						SCREW, #6 - 32 X 5/8 LG. ....	4	4	
72	19081-G1						STANDOFF .....	4	4	
73	00736-G1						WASHER, FLAT, NYLON .....	4	4	
74	00735-G1						NUT, NYLON, #6 - 32 .....	4	4	
75	19952-G1						WIRE, 16 GAUGE .....	1	1	
76	19949-G1						WIRE, 16 GAUGE .....	1	1	
77	19954-G1						WIRE, 16 GAUGE .....	1	1	
78	00559-G3						WASHER, #8 .....	2	2	
79										
80										
81	19363-G1						FUSE BLOCK .....	1	1	
82	19361-G1						FUSE, 15 AMP .....	1	1	
83	19434-G1						LABEL, IDENTIFICATION .....	1	1	
84	19441-G1						WIRE, 12 GAUGE .....	1	1	
85	19362-G1						CIRCUIT BREAKER, 50 AMP (INCLUDES ITEMS 86 AND 87) ...	2	2	
86	00559-G5						WASHER, #10 .....	4	4	
87	00526-G4						NUT, #10 - 32 .....	2	2	
88	00565-G4						WASHER, LOCK, #8 .....	2	2	
89	00526-G1						NUT, #8 - 32 .....	2	2	
90	00372-G6						SCREW, #8 - 32 X 3/4 LG. ....	2	2	

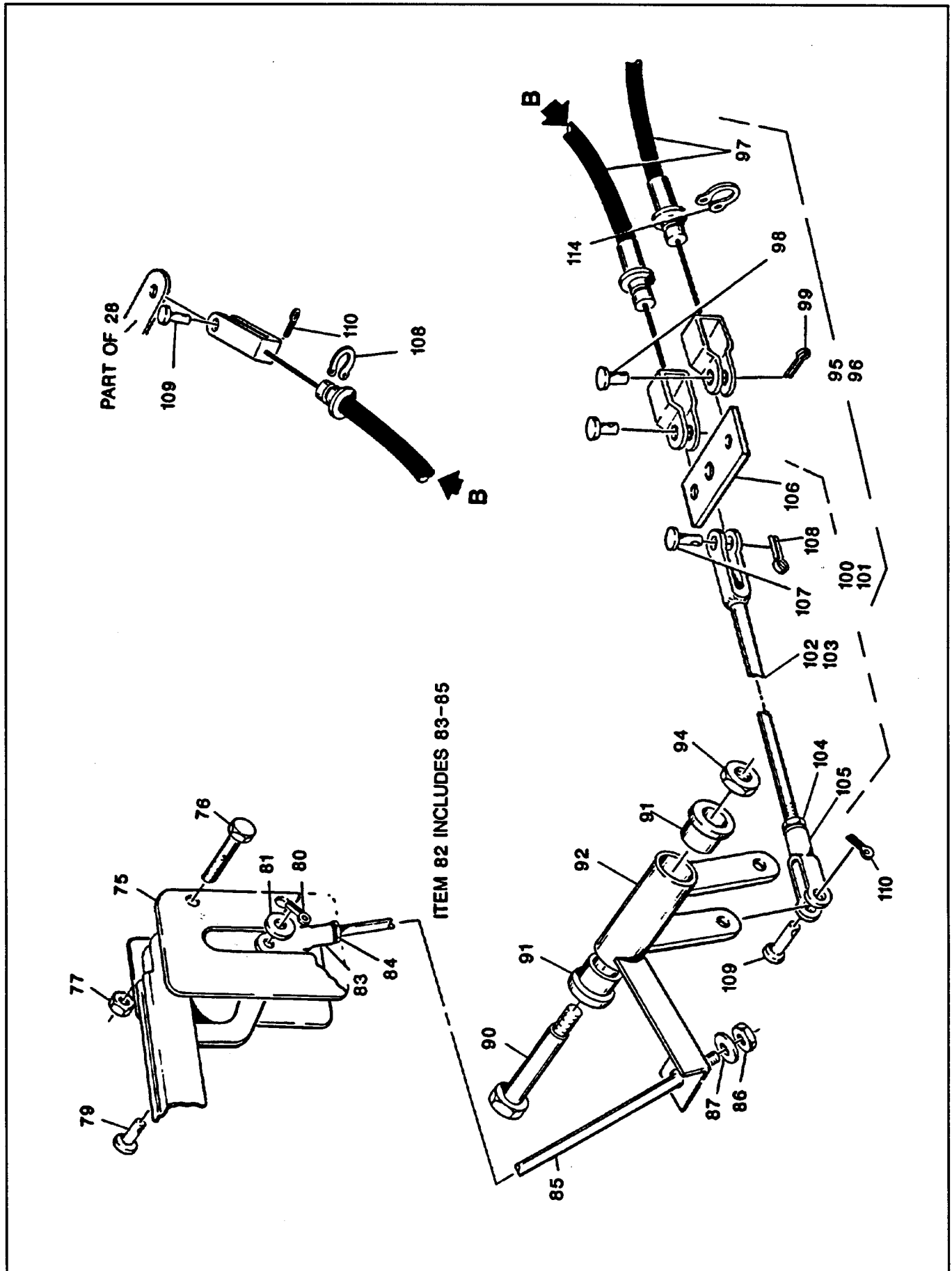
# BATTERY CHARGER, PORTABLE

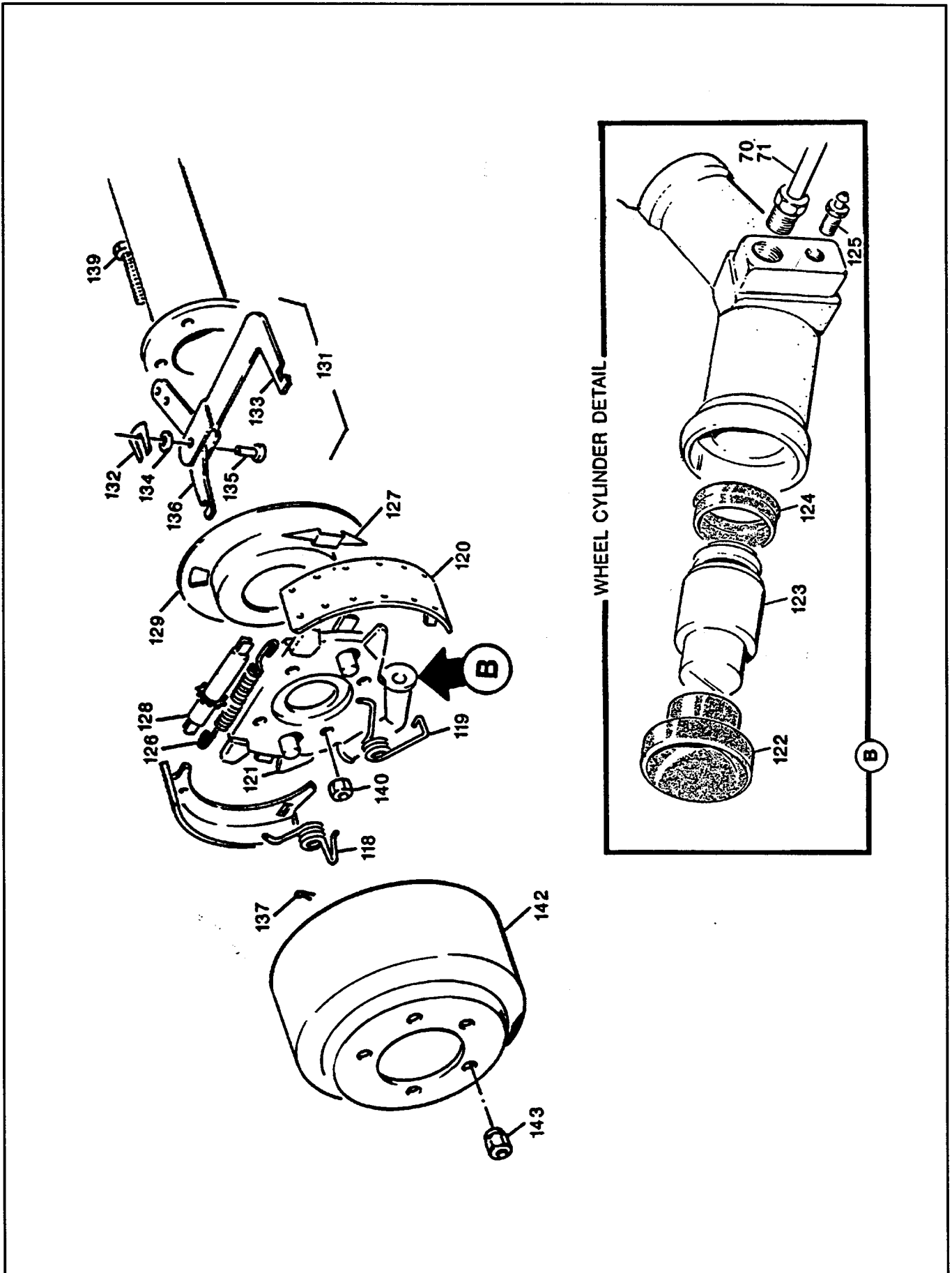
---





Pg. E-1





# BRAKES, HYDRAULIC, REAR

THE USE OF NON U.L. PARTS WILL VOID ANY U.L. LISTING.

When ordering parts, please specify the model and serial number of the product.

\* Indicates a component that is not available as an individual part.

MODEL		
881		
955	875	
957	875P	

ITEM	PART NO.	1	2	3	4	5	DESCRIPTION	QTY	
1	30243-G1						BRAKE PEDAL ASSEMBLY (INCLUDES ITEMS 2 - 18) .....	1	1
2	30218-G1						PEDAL, BRAKE .....	1	1
3	30330-G1						PAD, BRAKE PEDAL .....	1	1
4	23044-G1						WIRE HARNESS .....	1	1
5	00366-G8						SCREW, #6 - 32 X 1 LG. ....	2	2
6	10606-G1						SWITCH, MICRO .....	1	1
7	00565-G3						WASHER, LOCK, #6 .....	2	2
8	00525-G5						NUT, #6 - 32 .....	2	2
9	00567-G3						WASHER, LOCK, #6 .....	2	2
10	14628-G1						TAB, FASTON .....	2	2
11	13514-G1						SCREW, BRASS .....	2	2
12	00741-G7						SCREW, #10 - 24 1 LG. ....	3	3
13	22362-G1						STANDOFF .....	1	1
14	24938-G1						SPRING, CONICAL .....	1	1
15	11098-G7						NUT, LOCK, #10 - 24 .....	2	2
16	00739-G1						NUT, RUBBER, #10 - 24 .....	2	2
17									
18	17618-G1						NYLON CLAMP .....	3	3
19									
20	14158-G1						BOLT, SHOULDER, 1/2 X 2 3/4 LG. ....	1	1
21	11079-G1						BUSHING, FLANGED .....	2	2
22	13521-G4						NUT, LOCK, 3/8 - 16 .....	1	1
23	13197-G1						SPRING, TORSION .....	1	1
24	10386-G3						PIN, CLEVIS, 5/16 X 3/4 LG. ....	2	2
25	10387-G3						PIN, COTTER, 3/32 X 3/4 LG. ....	2	2
26	30295-G3						LINKAGE ROD ASSEMBLY (INCLUDES ITEMS 28 - 20) .....	-	1
27	30295-G4						LINKAGE ROD ASSEMBLY (INCLUDES ITEMS 28 - 30) .....	1	-
28	30297-G1						ROD, LINKAGE, 18 9/16 .....	1	1
29	00544-G4						NUT, 5/16 - 24 .....	1	1
30	10385-G4						YOKE .....	1	1
31	30284-G1						BRACKET, MASTER CYLINDER/PIVOT .....	1	1
32	00427-G8						SCREW, 3/8 - 16 X 2 LG. ....	2	2
33	00560-G1						WASHER, 3/8 .....	2	2
34	11098-G5						NUT, LOCK, 3/8 - 16 .....	2	2

# BRAKES, HYDRAULIC, REAR

THE USE OF NON U.L. PARTS WILL VOID ANY U.L. LISTING.

When ordering parts, please specify the model and serial number of the product.

\* Indicates a component that is not available as an individual part.

MODEL		
881		
955	875	
957	875P	

ITEM	PART NO.	1	2	3	4	5	DESCRIPTION	QTY		
35	00733-G9						SCREW, 3/8 - 16 X 6 LG. ....	1	1	
36	00560-G1						WASHER, 3/8 ....	2	2	
37	11079-G1						BUSHING, FLANGED ....	1	1	
38	30292-G2						SLEEVE, PIVOT ....	1	1	
39	32772-G1						PIVOT ....	1	1	
40	13521-G4						NUT, LOCK, 3/8 - 16 ....	1	1	
41										
42	14443-G3						CLEVIS, 5/16 X 1 1/8 LG. ....	1	1	
43	10387-G3						PIN, COTTER, 3/32 X 3/4 LG. ....	1	1	
44	30298-G2						PUSH ROD ASSEMBLY (INCLUDES ITEMS 45 - 47) ....	1	1	
45	21508-G1						YOKE ....	1	1	
46	00544-G6						NUT, 3/8 - 24 ....	1	1	
47	30293-G2						PUSH ROD, 3 1/8 LG. ....	1	1	
48	21509-G2						SPACER, PUSH ROD ....	1	1	
49										
50										
51										
52										
53	24810-G1						MASTER CYLINDER (INCLUDING BOOT) ....	1	1	
54	00427-G4						SCREW, 3/8 - X 1 1/2 LG. ....	2	2	
55	00560-G1						WASHER, 3/8 ....	2	2	
56	11098-G5						NUT, LOCK, 3/8 -16 ....	2	2	
57	32773-G1						ADAPTER, MASTER CYLINDER ....	1	1	
58										
59	21104-G8						BRAKE LINE, 68" LG. (EXTENDED LENGTH) ....	1	-	
60	21104-G5						BRAKE LINE, 40" LG. (STANDARD LENGTH) ....	-	1	
61	11227-G1						CLAMP, TUBE ....	2	3	
62	00100-G6						SCREW, SELF DRILL AND TAP, #10 - 3/4 LG. ....	2	3	
63	20367-G1						GROMMET ....	2	2	
64										
65	11332-G2						BRACKET, TUBE FASTENER ....	1	1	
66	00100-G6						SCREW, SELF DRILL AND TAP, #10 X 3/4 LG. ....	2	2	
67	11456-G1						CLIP, HOSE ....	1	1	
68	11090-G4						HOSE, FLEXIBLE ....	1	1	

# BRAKES, HYDRAULIC, REAR

THE USE OF NON U.L. PARTS WILL VOID ANY U.L. LISTING.

When ordering parts, please specify the model and serial number of the product.

\* Indicates a component that is not available as an individual part.

MODEL		
881		
955	875	
957	875P	

ITEM	PART NO.	1	2	3	4	5	DESCRIPTION	QTY	
69	21103-G1						FRAME, TEE .....	1	1
70	21104-G3						BRAKE LINE, 12" LG. ....	1	1
71	21104-G9						BRAKE LINE, 20" LG. ....	1	1
72	11098-G6						NUT, LOCK, 5/16-13 .....	1	1
73									
74									
75	30197-G1						LEVER, BRAKE .....	1	1
76	00439-G6						SCREW, 5/16 - 18 X 3/4 .....	2	2
77	11098-G6						NUT, LOCK, 5/16 - 18 .....	2	2
78									
79	14443-G1						PIN, CLEVIS, 5/16 X 1 3/8 LG. ....	1	1
80	10387-G9						PIN, COTTER, 1/16 X 1/2 LG. ....	1	1
81	00559-G8						WASHER, FLAT, 5/16 .....	1	1
82	30195-G1						LINK ASSEMBLY (INCLUDES ITEMS 83 - 85) .....	1	1
83	10385-G6						YOKE .....	1	1
84	00544-G4						NUT, 5/16 - 24 .....	1	1
85	30196-G1						LINK .....	1	1
86	11098-G4						NUT, LOCK, 5/16 - 24 .....	1	1
87	00559-G8						WASHER, 5/16 .....	1	1
88									
89									
90	14158-G1						BOLT, SHOULDER, 3/8 - 16 X 2 3/4 LG. ....	1	1
91	11079-G1						BUSHING, FLANGED .....	2	2
92	30221-G1						PIVOT .....	1	1
93									
94	11098-G4						NUT, LOCK, 3/8 - 16 .....	1	1
95	30241-G2						BRAKE LINKAGE ASSEMBLY (INCLUDES ITEMS 97 - 100, 102, 104 - 108), EXTENDED LENGTH .....	1	-
96	30241-G3						BRAKE LINKAGE ASSEMBLY (INCLUDES ITEMS 97 - 99, 101, 103 - 108), STANDARD LENGTH .....	-	1
97	19038-G1						BRAKE CABLE .....	1	1
98	10386-G3						PIN, CLEVIS, 5/16 X 3/4 LG. ....	2	2
99	10387-G3						PIN, COTTER, 3/32 X 3/4 LG. ....	2	2
100	30222-G2						EQUALIZER/LINKAGE ROD ASSEMBLY (EXTENDED LENGTH)	1	-

# BRAKES, HYDRAULIC, REAR

THE USE OF NON U.L. PARTS WILL VOID ANY U.L. LISTING.

When ordering parts, please specify the model and serial number of the product.

\* Indicates a component that is not available as an individual part.

MODEL		
881		
955	875	
957	875P	

ITEM	PART NO.	1	2	3	4	5	DESCRIPTION	QTY	
101	30222-G3						EQUALIZER/LINKAGE ROD ASSEMBLY (STANDARD LENGTH)	-	1
102	30295-G3						LINKAGE ROD (EXTENDED LENGTH) .....	1	-
103	30295-G4						LINKAGE ROD (STANDARD LENGTH) .....	-	1
104	00544-G4						NUT, 5/16 - 24 .....	1	1
105	10386-G3						YOKE .....	1	1
106	13659-G1						BAR, EQUALIZER .....	1	1
107	10386-G3						PIN, CLEVIS, 5/16 X 3/4 LG. ....	1	1
108	10387-G3						PIN, COTTER, 3/32 X 3/4 LG. ....	1	1
109	10386-G3						PIN, CLEVIS, 5/16 X 3/4 LG. ....	3	3
110	10387-G3						PIN, COTTER, 3/32 X 3/4 LG. ....	3	3
111	14601-G1						RIVET, 3/16 X 7/8 LG. ....	1	1
112	00559-G5						WASHER, #4 .....	1	1
113	13728-G1						BUMPER, RUBBER .....	1	1
114	12305-G1						RING, RETAINER .....	4	4
115	21781-G2						BRAKE ASSEMBLY, PASSENGER SIDE, R.H. (INCLUDES ITEMS 118 - 136) .....	1	1
116	21781-G1						BRAKE ASSEMBLY, DRIVER SIDE, L.H. (INCLUDES ITEMS 118 - 136) .....	1	1
117									
118	21091-G1						SPRING, GREEN .....	1	1
119	21092-G1						SPRING, RED .....	1	1
120	13955-G1						SHOES, LINED (SET OF 2) .....	1	1
121	21086-G1						TORQUE, SPIDER .....	1	1
122	21088-G1						CUP, HYDRAULIC .....	2	2
123	21087-G1						PISTON, WHEEL CYLINDER .....	2	2
124	21089-G1						SEAL .....	2	2
125	21094-G1						VALVE, BLEEDER .....	1	1
126	21095-G1						SPRING, LOWER .....	1	1
127	21096-G1						SPRING, UPPER .....	2	2
128	21097-G1						ADJUSTER .....	1	1
129	21098-G1						SHEILD, DUST .....	1	1
130									
131	21909-G1						LEVER, PARKING BRAKE ASSEMBLY .....	1	1
132	13464-G1						RETAINER, CLEVIS PIN .....	1	1

# BRAKES, HYDRAULIC, REAR

THE USE OF NON U.L. PARTS WILL VOID ANY U.L. LISTING.

When ordering parts, please specify the model and serial number of the product.

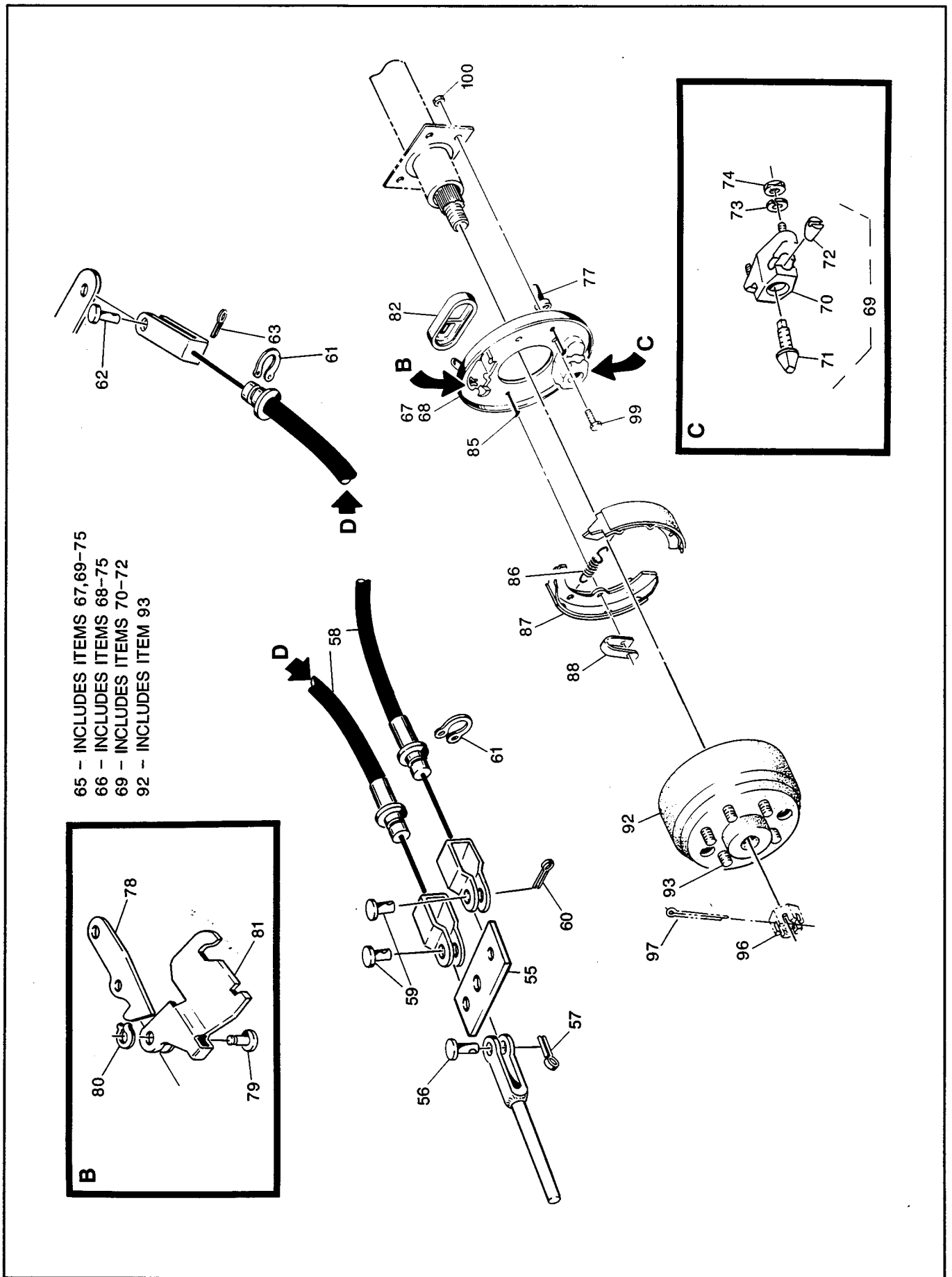
\* Indicates a component that is not available as an individual part.

MODEL		
881		
955	875	
957	875P	

ITEM	PART NO.	1	2	3	4	5	DESCRIPTION	QTY	
133	13460-G1						LEVER, CURVED .....	1	1
134	13463-G1						WASHER, SPRING .....	1	1
135	13462-G1						CLEVIS, PIN .....	1	1
136	22604-G1						LEVER, STRAIGHT .....	2	2
137	13468-G1						CLIP .....	2	2
138									
139	14195-G1						BOLT .....	8	8
140	21562-G1						NUT .....	8	8
141	17953-G2						DRUM, BRAKE, REAR, 1/2" STUDS .....	2	2
142	17953-G1						DRUM, BRAKE, REAR .....	2	2
143	14723-G1						NUT, LUG 1/2 - 20 .....	10	10
144									
145									
146									
147									
148	15200-G1						WHEEL CYLINDER REBUILD KIT .....	1	1







# BRAKES, MECHANICAL

THE USE OF NON U.L. PARTS WILL VOID ANY U.L. LISTING.

When ordering parts, please specify the model and serial number of the product.

\* Indicates a component that is not available as an individual part.

MODEL		
775	956	
952	960	
954		

ITEM	PART NO.	1	2	3	4	5	DESCRIPTION	QTY	
1	30243-G1						BRAKE PEDAL ASSEMBLY (INCLUDES ITEMS 2 - 18) .....	1	1
2	30218-G1						PEDAL, BRAKE .....	1	1
3	30330-G1						PAD, BRAKE PEDAL .....	1	1
4	24938-G1						SPRING, CONICAL .....	1	1
5	22362-G1						STANDOFF .....	1	1
6									
7	11098-G7						NUT, LOCK, #10 - 24 .....	1	1
8	00741-G7						SCREW, #10 - 24 X 1 LG. ....	2	2
9	00739-G1						NUT, CAPTIVE, #10 - 24 .....	2	2
10	10606-G1						MICRO SWITCH .....	1	1
11	00138-G8						SCREW, #6 - 32 x 1 LG. ....	2	2
12	00565-G3						WASHER, LOCK, #6 .....	2	2
13	00525-G5						NUT, #6 - 32 .....	2	2
14	00567-G3						WASHER, LOCK, #6 .....	2	2
15	14628-G1						TAB, FASTON .....	2	2
16	13514-G1						SCREW, #6 - 32 .....	2	2
17	22447-G1						WIRE HARNESS .....	1	1
18	17618-G1						CLAMP, NYLON .....	3	3
19	11079-G1						BUSHING, FLANGED .....	2	2
20	14158-G1						BOLT, SHOULDER, 1/2 X 2 3/4 LG. ....	1	1
21	13521-G4						NUT, LOCK, 3/8 - 16 .....	1	1
22	13197-G1						SPRING, TORSION .....	1	1
23	14443-G2						PIN, CLEVIS, 5/16 X 3/4 LG. ....	1	1
24	10387-G3						PIN, COTTER, 3/32 X 3/4 LG. ....	1	1
25									
26									
27	14601-G1						RIVET, 3/16 X 7/8 LG. ....	1	1
28	00559-G5						WASHER, #10 .....	1	1
29	13728-G1						BUMPER, RUBBER .....	1	1
30									
31	30225-G1						BRAKE YOKE ASSEMBLY (INCLUDES ITEMS 32 - 36) .....	1	1
32	19852-G1						YOKE, BRAKE .....	1	1
33	11098-G6						NUT, LOCK, 5/16 - 18 .....	1	1
34	00559-G8						WASHER, 5/16 .....	1	1

# BRAKES, MECHANICAL

THE USE OF NON U.L. PARTS WILL VOID ANY U.L. LISTING.

When ordering parts, please specify the model and serial number of the product.

\* Indicates a component that is not available as an individual part.

MODEL		
775	956	
952	960	
954		

ITEM	PART NO.	1	2	3	4	5	DESCRIPTION	QTY		
35	00532-G3						NUT, 5/16 - 18 .....	1	1	
36	19957-G3						JAW, TURNBUCKLE .....	1	1	
37	14443-G2						PIN, CLEVIS, 5/16 X 3/4 LG. ....	1	1	
38	10387-G3						PIN, COTTER, 3/32 X 3/4 LG. ....	1	1	
39										
40	30221-G1						PIVOT .....	1	1	
41	11079-G1						BUSHING, FLANGED .....	2	2	
42	14158-G1						BOLT, SHOULDER, 1/2 X 2 3/4 LG. ....	1	1	
43	00560-G3						WASHER, 3/8 .....	2	2	
44	11098-G5						NUT, LOCK, 3/8 - 16 .....	1	1	
45										
46	10386-G3						PIN, CLEVIS, 5/16 X 15/16 LG. ....	1	1	
47	10387-G3						PIN, COTTER, 3/32 X 3/4 LG. ....	1	1	
48										
49	30241-G1						BRAKE LINKAGE ASSEMBLY (INCLUDES ITEMS 50 - 60) .....	1	1	
50	30222-G1						EQUALIZER LINKAGE ASSEMBLY (INCLUDES ITEMS 51 - 57) .	1	1	
51	30295-G2						LINKAGE ROD ASSEMBLY (INCLUDES ITEMS 52 - 54) ....	1	1	
52	10385-G4						YOKE .....	1	1	
53	00544-G4						NUT, 5/16 - 24 .....	1	1	
54	30297-G2						ROD, LINKAGE, 13 3/8 LG. ....	1	1	
55	13659-G1						BAR, EQUALIZER .....	1	1	
56	10386-G3						PIN, CLEVIS, 5/16 X 15/16 LG. ....	1	1	
57	10387-G3						PIN, COTTER, 3/32 X 3/4 LG .....	1	1	
58	19038-G1						CABLE, BRAKE .....	2	2	
59	10386-G3						PIN, CLEVIS, 5/16 X 15/16 LG. ....	2	2	
60	10387-G3						PIN, COTTER, 3/32 X 3/4 LG. ....	2	2	
61	12305-G1						RING, RETAINING .....	4	4	
62	10386-G3						PIN, CLEVIS, 5/16 X 15/16 LG. ....	2	2	
63	10387-G3						PIN, COTTER, 3/32 X 3/4 LG. ....	2	2	
64										
65	20938-G1						BRAKE ASSEMBLY, PASSENGER'S SIDE (INCLUDES ITEMS 67, 69 - 74) .....	1	1	
66	20938-G2						BRAKE ASSEMBLY, DRIVER'S SIDE (INCLUDES ITEMS 68 - 74 .....	1	1	
67	22519-G1						BACKING PLATE, PASSENGER'S SIDE .....	1	1	

# BRAKES, MECHANICAL

THE USE OF NON U.L. PARTS WILL VOID ANY U.L. LISTING.

When ordering parts, please specify the model and serial number of the product.

\* Indicates a component that is not available as an individual part.

MODEL		
775	956	
952	960	
954		

ITEM	PART NO.	1	2	3	4	5	DESCRIPTION	QTY	
68	22518-G1						BACKING PLATE, DRIVER'S SIDE .....	1	1
69	22516-G1						ADJUSTER ASSEMBLY (INCLUDES ITEMS 70 - 72) .....	1	1
70	22520-G1						ADJUSTER BODY .....	1	1
71	17287-G1						ADJUSTING BOLT .....	1	1
72	17289-G1						ANCHOR, PISTON .....	2	2
73	00565-G7						WASHER, LOCK, 1/4 .....	2	2
74	13632-G1						NUT, 6 mm .....	2	2
75									
76									
77	17294-G1						CAP, ADJUSTING BOLT .....	1	1
78	22512-G1						LEVER .....	1	1
79	22513-G1						PIN, LEVER .....	1	1
80	22514-G1						U-CLIP .....	1	1
81	22515-G1						BLOCK, SLIDING .....	1	1
82	22511-G1						DUST COVER .....	1	1
83									
84									
85	17292-G1						PIN, TENSION .....	2	2
86	17290-G1						SPRING, BRAKE .....	2	2
87	22517-G1						BRAKE SHOE (SET OF 2) .....	1	1
88	17291-G1						SPRING, SHOE, CLAMP .....	2	2
89									
90									
91									
92	32813-G1						BRAKE DRUM ASSEMBLY (INCLUDES ITEMS 93 AND 94) .....	1	1
93	19862-G1						BOLT, WHEEL .....	5	5
94	32826-G1						DRUM, BRAKE .....	1	1
95									
96	XXXXX-XX						NUT, SLOTTED (SEE REAR AXLE ILLUSTRATION FOR PART NUMBER) .....	1	1
97	XXXXX-XX						PIN, COTTER (SEE REAR AXLE ILLUSTRATION FOR PART NUMBER) .....	1	1
98									
99	17083-G1						BOLT, 5/16 - 24 X 3/4 LG. ....	4	4
100	15126-G1						NUT, LOCK, 5/16 - 24 .....	4	4

# BRAKES, MECHANICAL

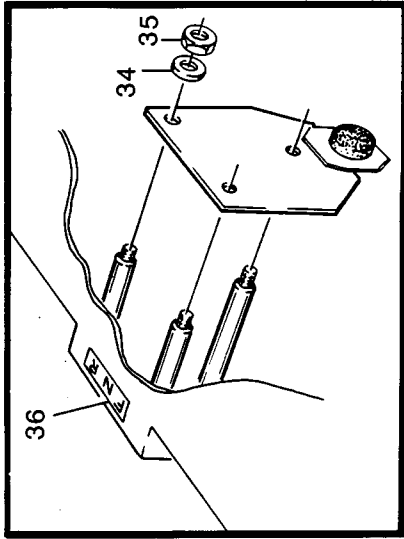
THE USE OF NON U.L. PARTS WILL VOID ANY U.L. LISTING.

When ordering parts, please specify the model and serial number of the product.

\* Indicates a component that is not available as an individual part.

MODEL		
775	956	
952	960	
954		

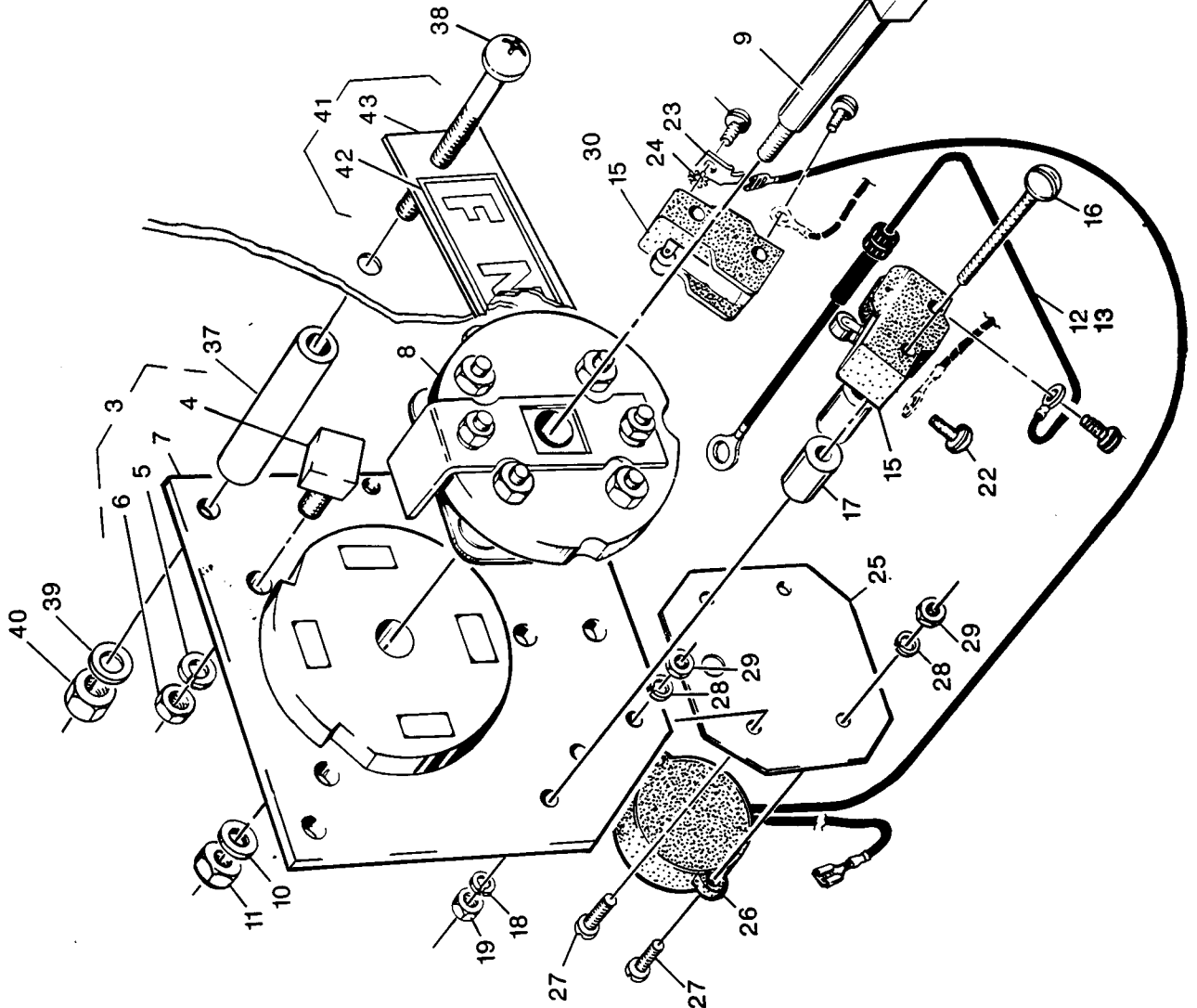
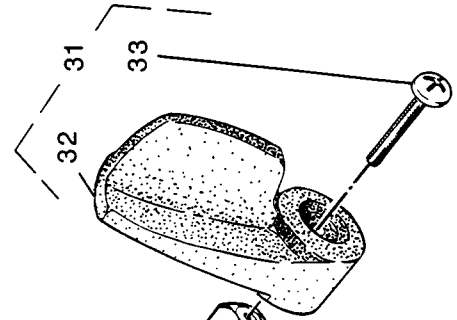
ITEM	PART NO.	1	2	3	4	5	DESCRIPTION	QTY		
101										
102										
103	30197-G1						LEVER, BRAKE .....	1	1	
104	00439-G6						SCREW, 5/16 - 18 X 1 3/4 LG. ....	2	2	
105	11098-G6						NUT, LOCK, 5/16 - 18 .....	2	2	
106										
107	00559-G8						WASHER, 5/16 .....	1	1	
108	10387-G3						PIN, COTTER, 3/32 X 3/4 LG. ....	1	1	
109										
110										
111	30195-G1						LINK ASSEMBLY (INCLUDES ITEMS 112 - 114) .....	1	1	
112	10385-G4						YOKE, CLEVIS .....	1	1	
113	00544-G4						NUT, 5/16 - 24 .....	1	1	
114	30196-G1						LINK, PARKING BRAKE .....	1	1	
115										
116	00559-G8						WASHER, 5/16 .....	1	1	
117	11098-G9						NUT, LOCK, 5/16 - 24 .....	1	1	



- 1 - INCLUDES ITEMS 3 - 30
- 2 - INCLUDES ITEMS 3 - 29
- 3 - INCLUDES ITEMS 4 - 7
- 12 - INCLUDES ITEM 13
- 31 - INCLUDES ITEMS 32, 33
- 41 - INCLUDES ITEMS 42, 43

ITEMS 34 - 36 ARE FOR METAL BODIED VEHICLES ONLY

ITEMS 37 - 43 ARE FOR PLASTIC BODIED VEHICLES ONLY



# DIRECTION SELECTOR

THE USE OF NON U.L. PARTS WILL VOID ANY U.L. LISTING.

When ordering parts, please specify the model and serial number of the product.

\* Indicates a component that is not available as an individual part.

ITEM	PART NO.	1	2	3	4	5	DESCRIPTION	MODEL		
								ESC	RCV	
								QTY		
1	25396-G3	DIRECTION SELECTOR, RESISTOR COIL VERSION (INCLUDES ITEMS 3 - 30) .....					-	1		
2	25396-G5	DIRECTION SELECTOR, ELECTRONIC SPEED CONTROL (INCLUDES ITEMS 3- 29) .....					1	-		
3	14651-G1	CONTACT BOARD ASSEMBLY (INCLUDES ITEMS 4 - 7) .....					1	1		
4	24940-G1	STOP .....					2	2		
5	00565-G7	WASHER, LOCK, 1/4 .....					2	2		
6	00414-G6	NUT, 1/4 - 20 .....					2	2		
7	*	BOARD AND CONTACT MACHINED .....					1	1		
8	12835-G1	CAM .....					1	1		
9	19470-G1	SHAFT .....					1	1		
10	00560-G1	WASHER, 3/8 .....					1	1		
11	14390-G1	NUT, LOCK, 3/8 - 24 .....					1	1		
12	32021-G1	FUSE HOLDER ASSEMBLY (INCLUDES ITEM 13) .....					1	1		
13	18392-G6	FUSE - 7 AMP .....					1	1		
14										
15	10606-G4	SWITCH, MICRO .....					1	2		
16	00139-G8	SCREW, #6 - 32 X 1 3/4 LG. ....					4	4		
17	12806-G1	SPACER, SWITCH, MICRO .....					4	4		
18	00565-G3	WASH, LOCK, #6 .....					4	4		
19	00525-G5	NUT, #6 - 32 .....					4	4		
20										
21										
22	13514-G1	SCREW, BRASS, #6 - 32 X 7/32 LG. ....					1	1		
23	14628-G1	TAB, FASTON .....					1	1		
24	00567-G3	WASHER, LOCK, EXTERNAL TOOTH, #6 .....					1	1		
25	30278-G1	BRACKET, BUZZER .....					1	1		
26	17940-G1	BUZZER ASSEMBLY .....					1	1		
27	00138-G4	SCREW, #6 - 32 X 1/2 LG. ....					4	4		
28	00565-G3	WASHER, LOCK, #6 .....					4	4		
29	00525-G5	NUT, #6 - 32 .....					4	4		
30	12796-G2	SWITCH, MICRO, HEAVY DUTY .....					1	-		
31	20325-G1	DIRECTION SELECTOR SWITCH HANDLE KIT (INCLUDES ITEMS 32, 33) .....					1	1		
32	19886-G1	HANDLE, PLASTIC .....					1	1		



# DIRECTION SELECTOR

THE USE OF NON U.L. PARTS WILL VOID ANY U.L. LISTING.

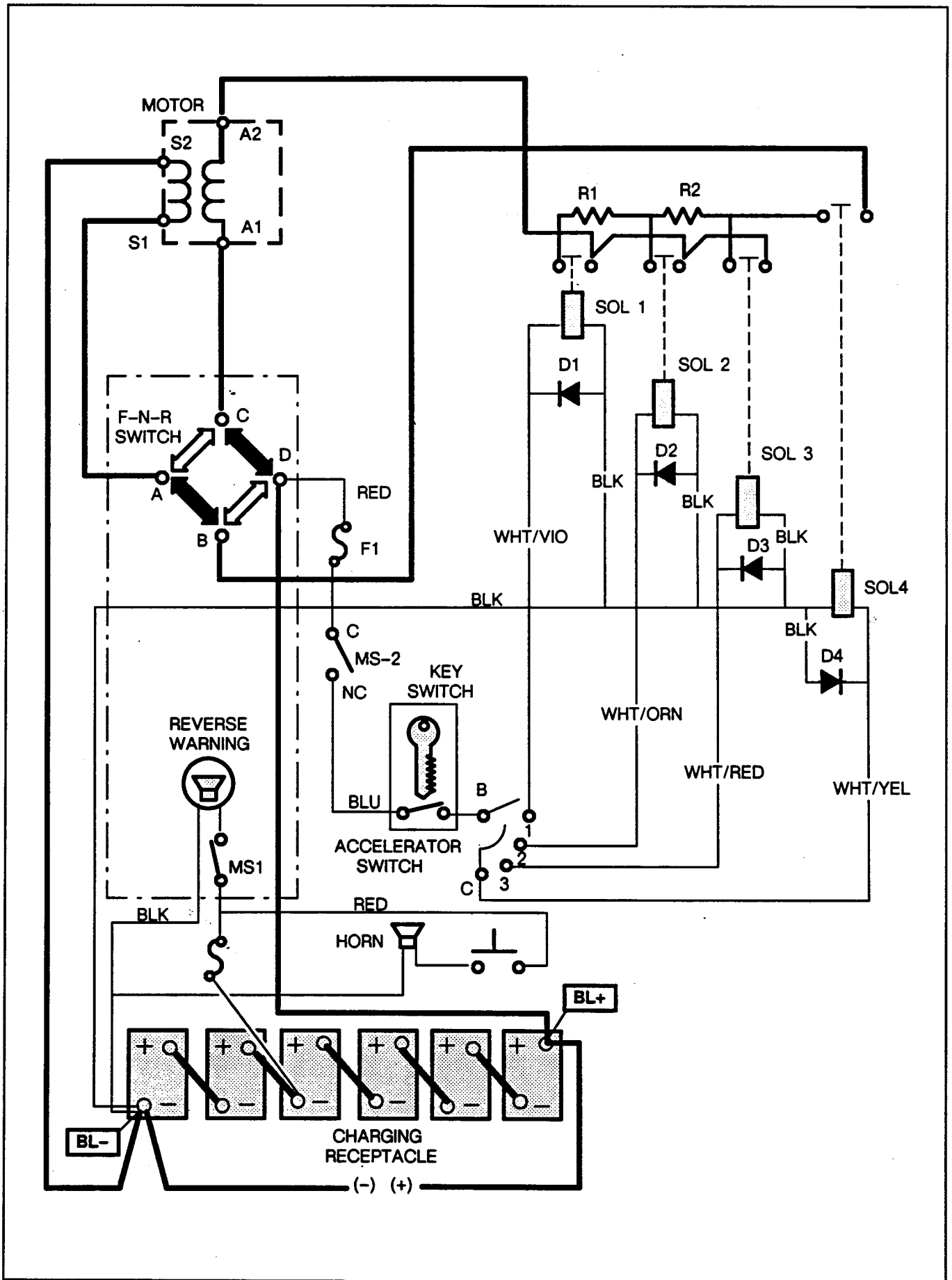
When ordering parts, please specify the model and serial number of the product.

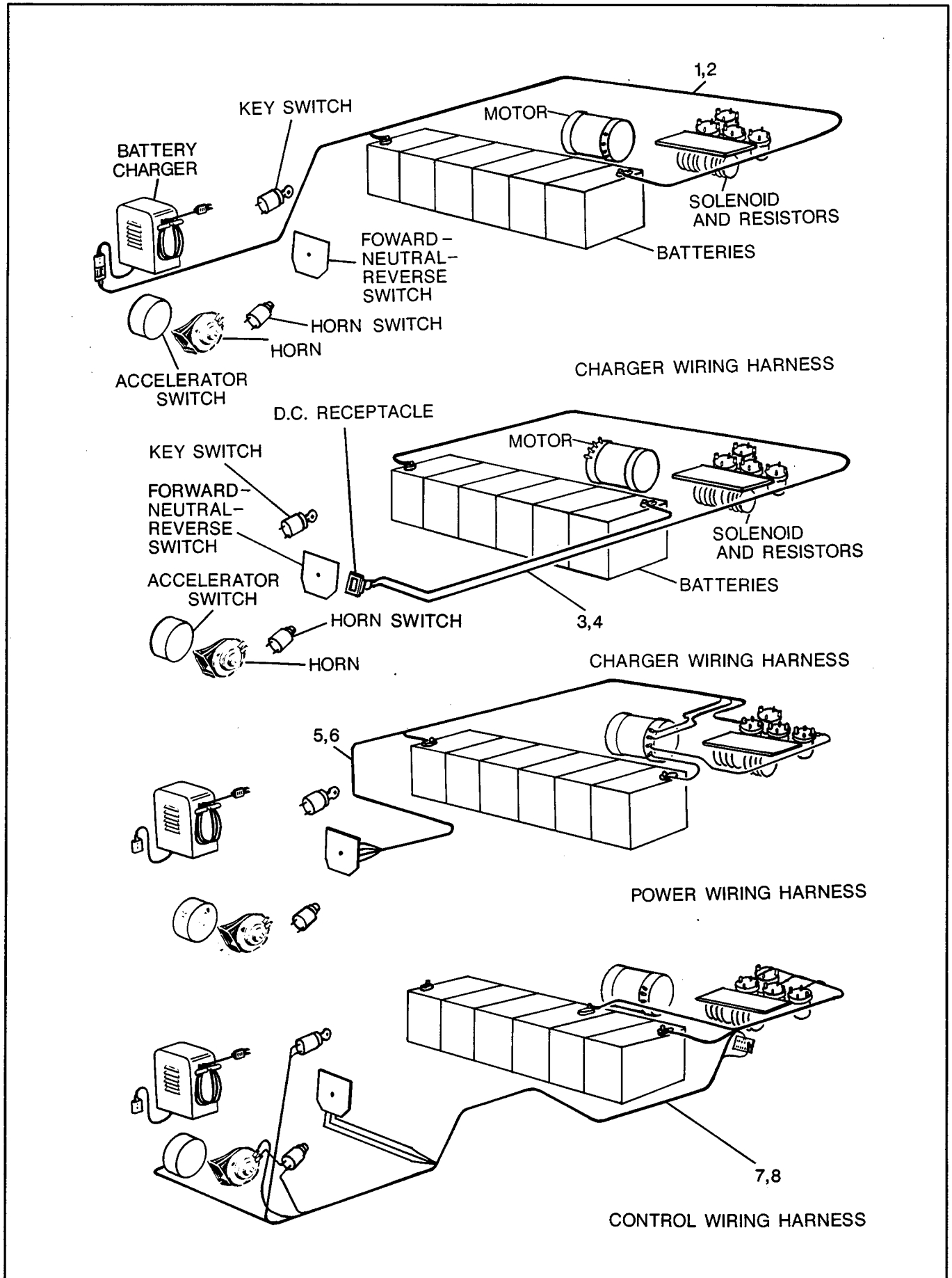
\* Indicates a component that is not available as an individual part.

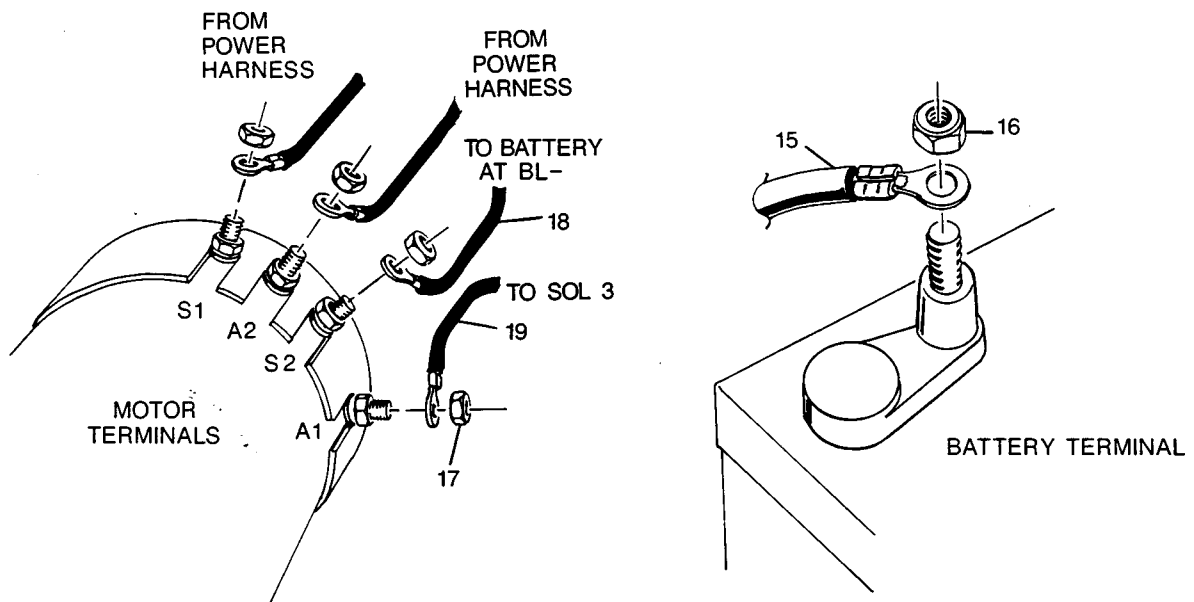
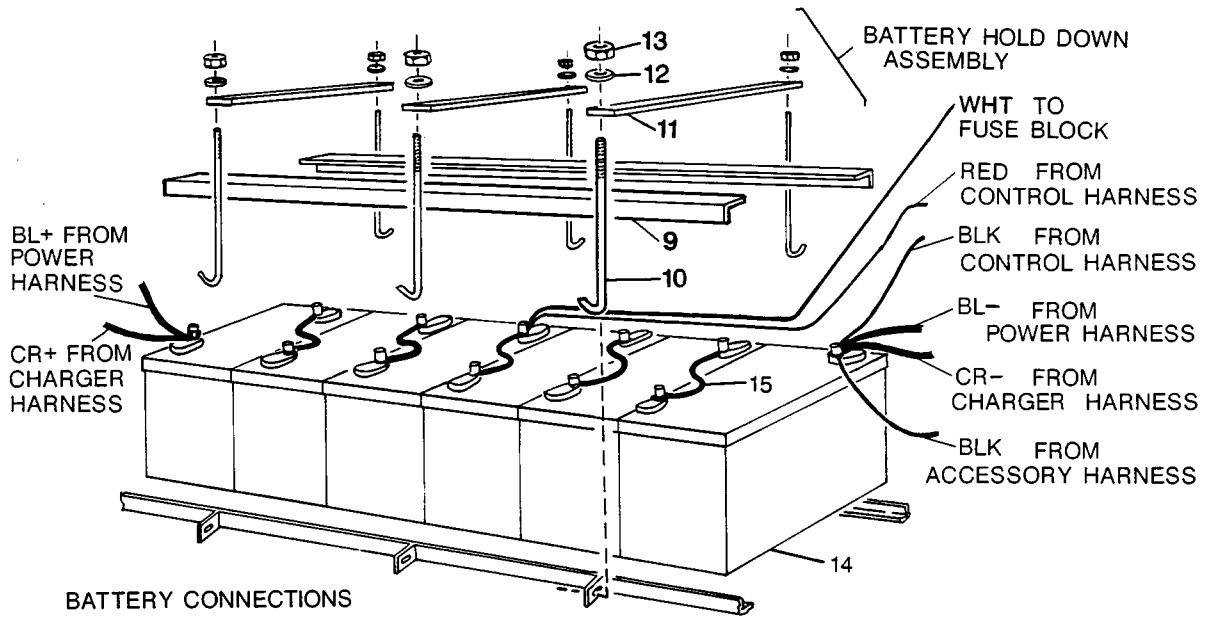
						MODEL						
						ESC	RCV					
ITEM	PART NO.	1	2	3	4	5	DESCRIPTION			QTY		
33	00740-G4						SCREW, #10 - 32 X 1/2 LG. ....			1	1	
34	00559-G7						WASHER, 1/4 (ITEMS 34 - 36 ARE FOR 952, 954, 955, 956 957, 960) .....			3	3	
35	14390-G4						NUT, LOCK, 1/4 - 20 .....			3	3	
36	21976-G1						LABEL, DIRECTION SELECTOR .....			1	1	
37	30318-G2						SPACER (ITEMS 37 - 43 ARE FOR 775, 875, 875P, 881) .....			3	3	
38	00753-G7						SCREW, 1/4 - 20 X 2 1/2 LG. ....			3	3	
39	00559-G7						WASHER, 1/4 .....			3	3	
40	00550-G1						NUT, 1/4 - 20 .....			3	3	
41	30393-G1						PLATE AND LABEL ASSEMBLY (INCLUDES ITEMS 42, 43) .....			1	1	
42	21976-G1						LABEL, DIRECTION SELECTOR .....			1	1	
43	*						PLATE, LABEL .....			1	1	

# DIRECTION SELECTOR

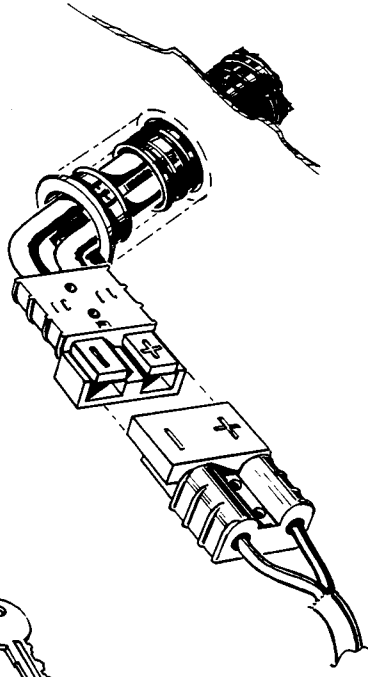
---



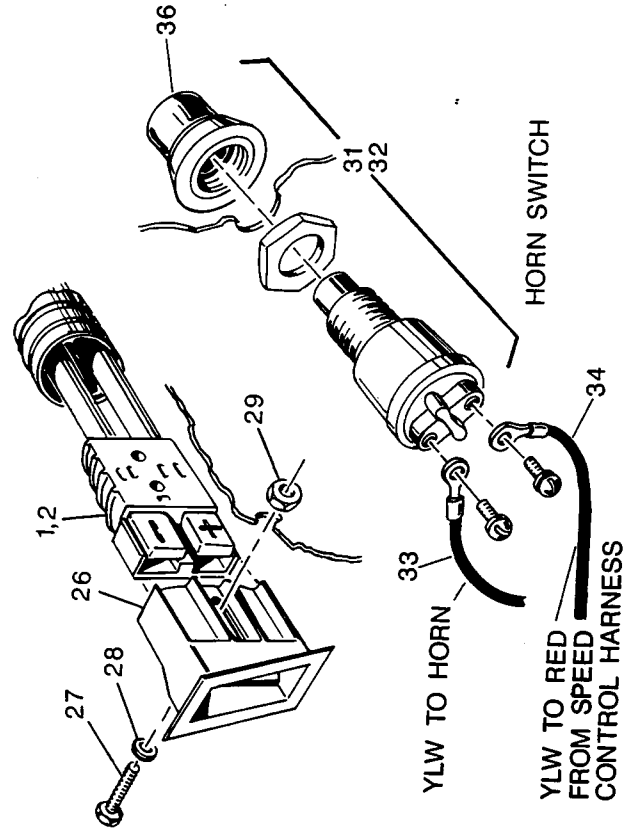




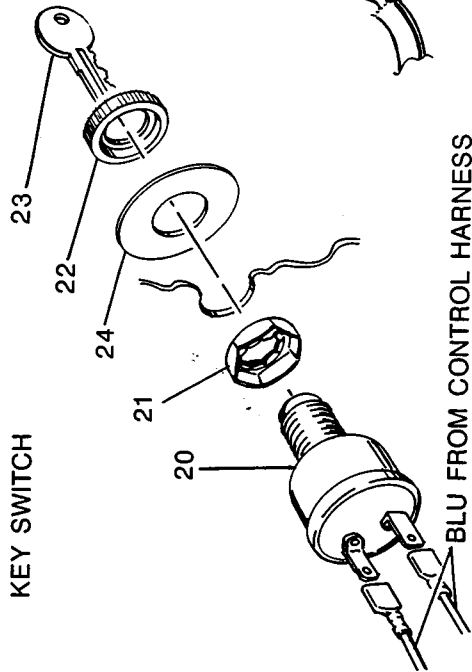
CHARGER RECEPTACLE-ON BOARD



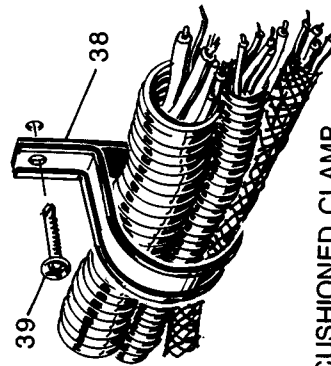
CHARGER RECEPTACLE-PORTABLE



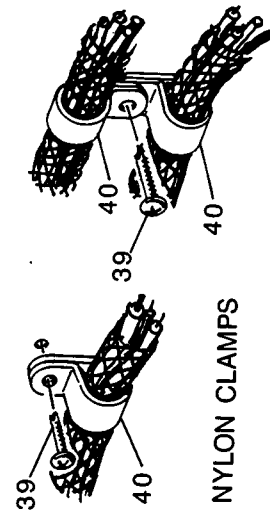
KEY SWITCH



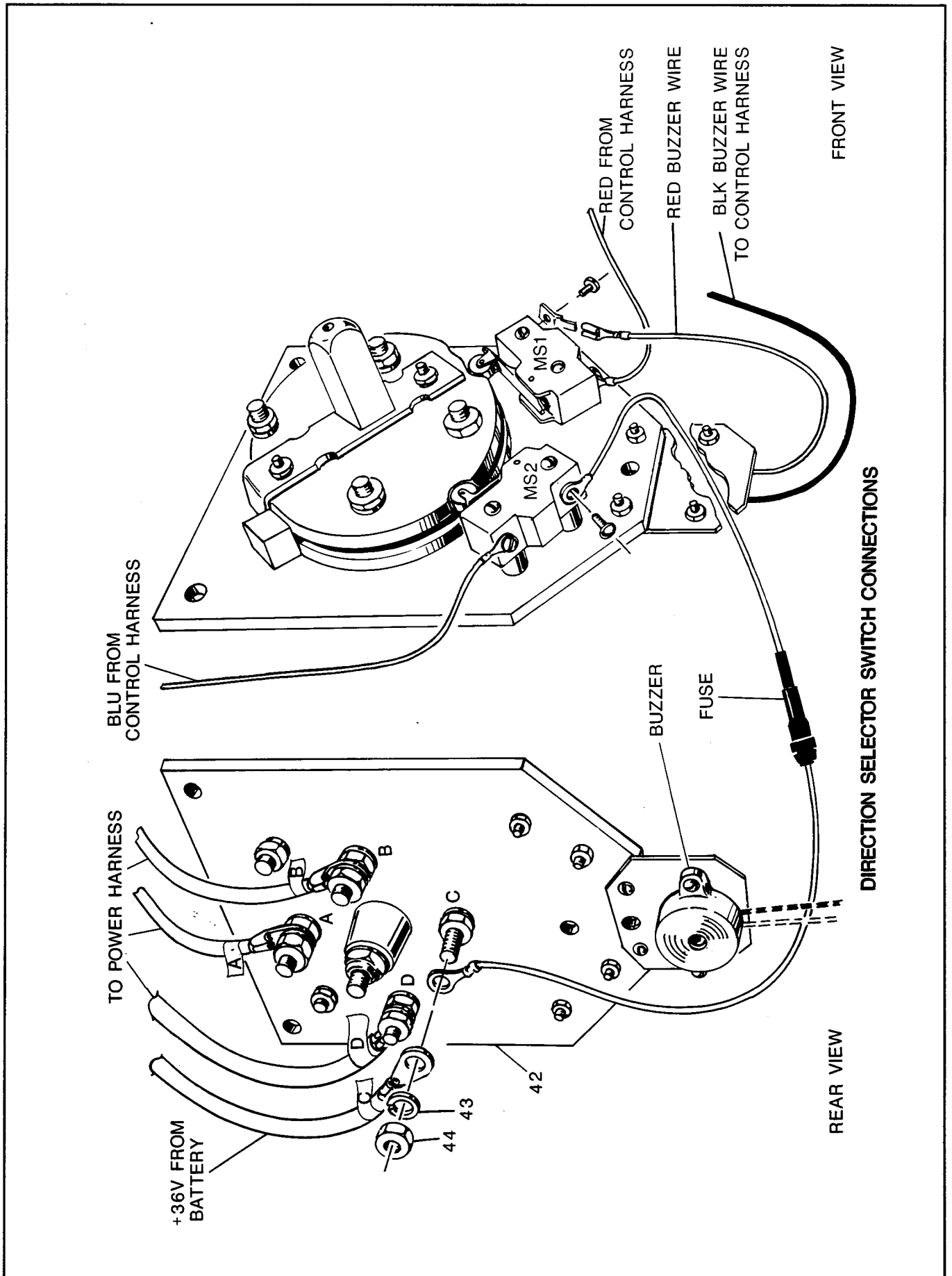
BLU FROM CONTROL HARNESS

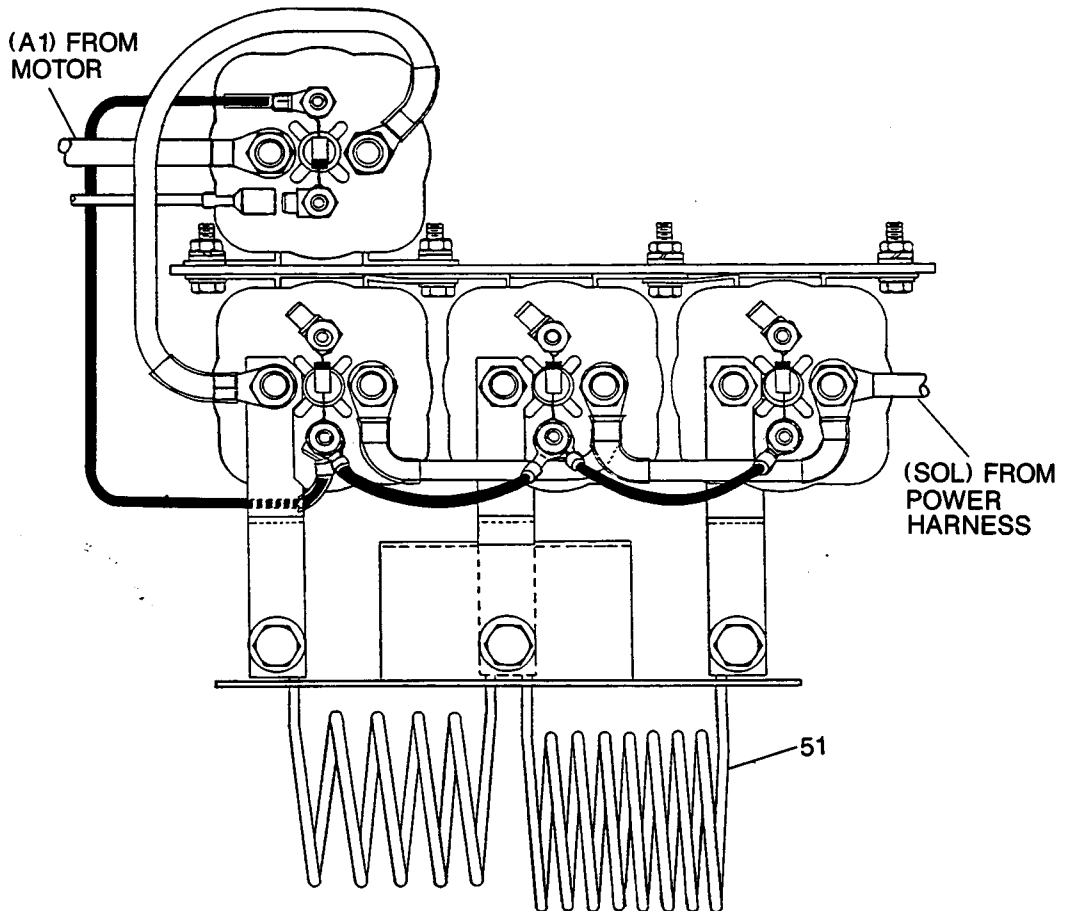
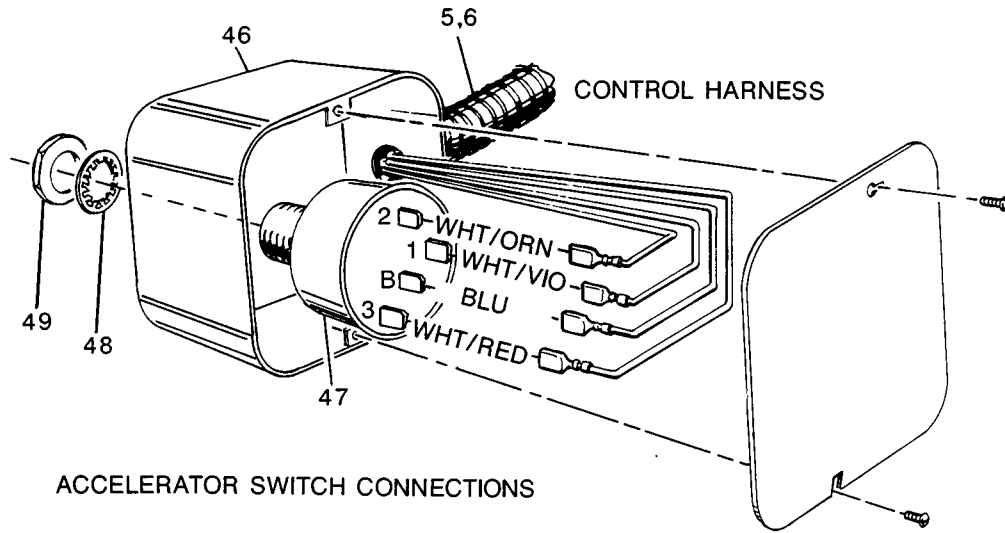


CUSHIONED CLAMP



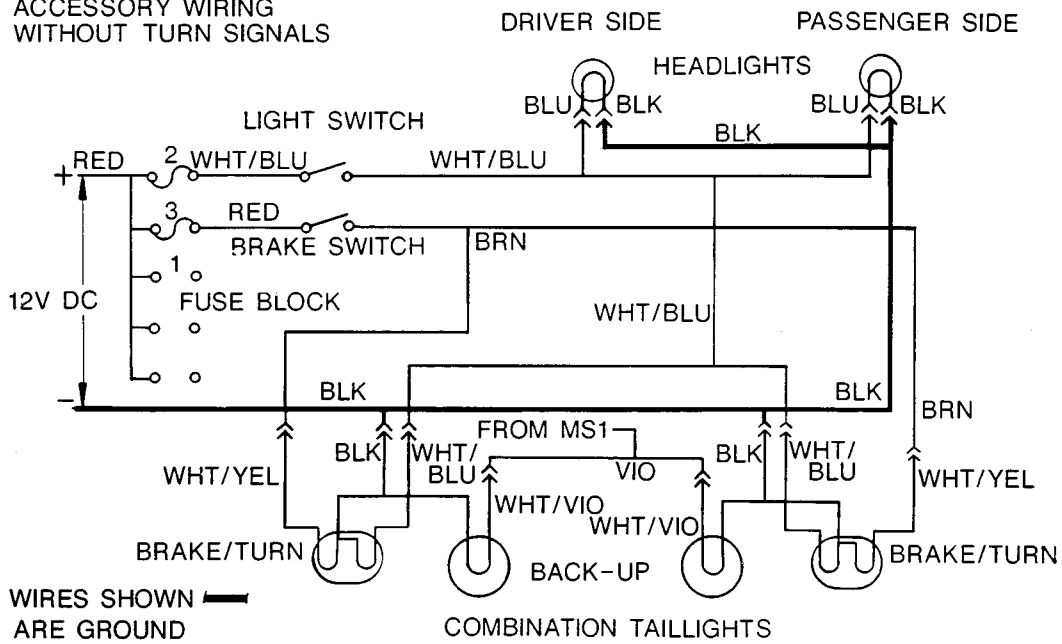
NYLON CLAMPS



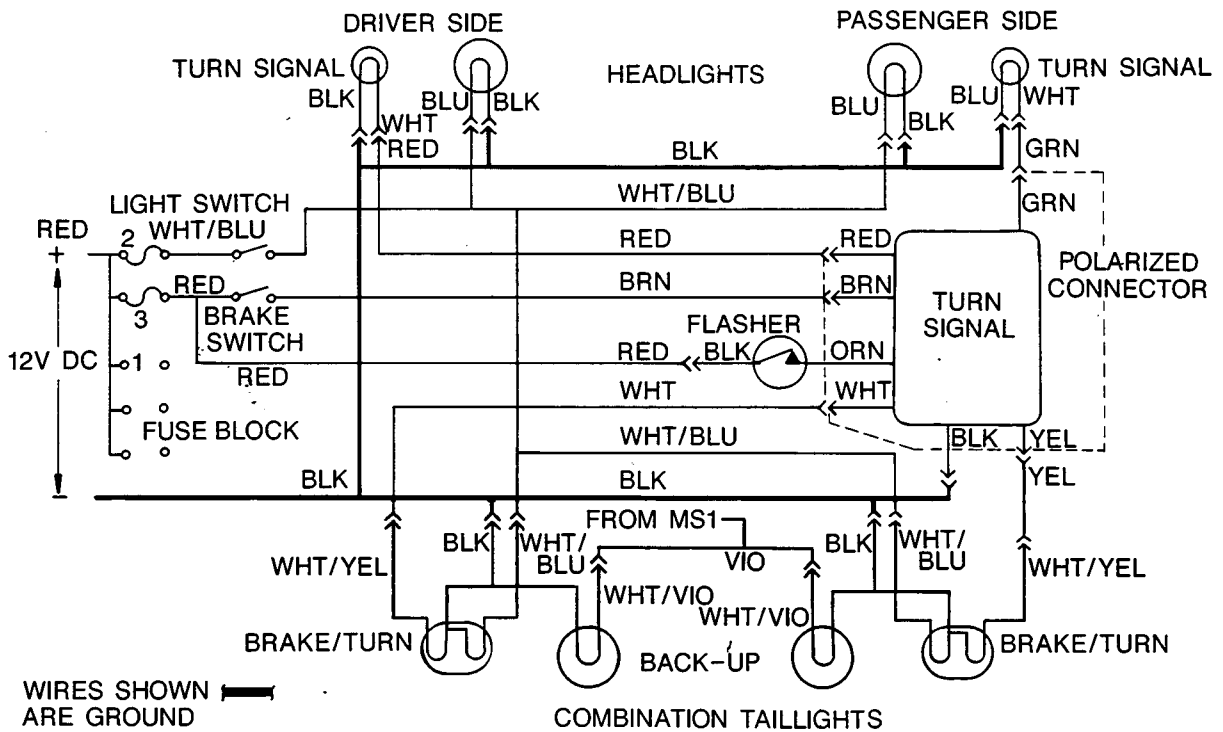


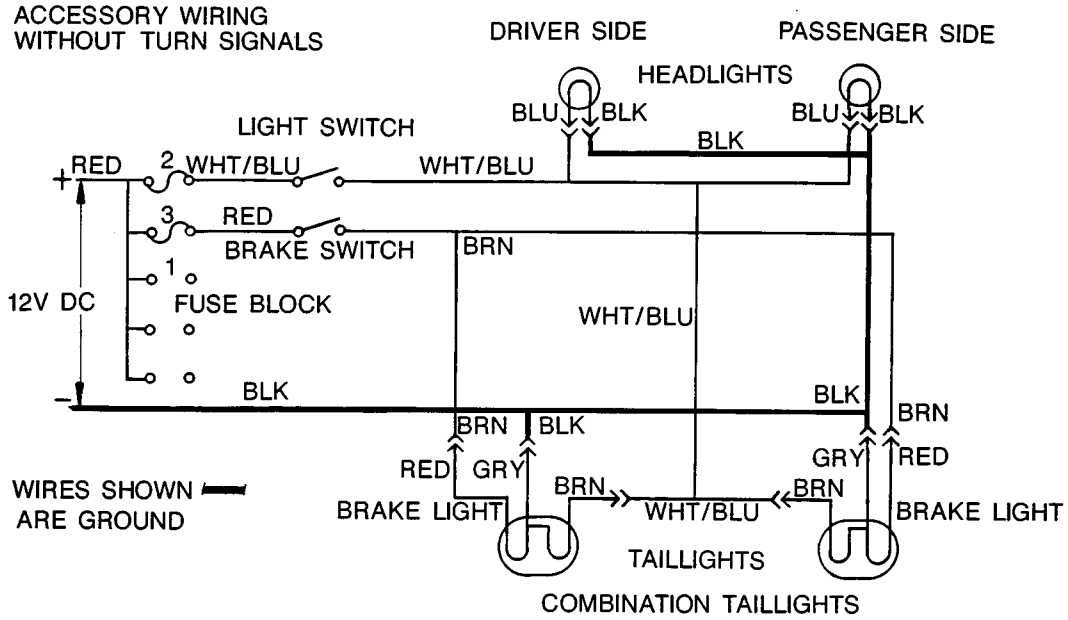


ACCESSORY WIRING  
WITHOUT TURN SIGNALS

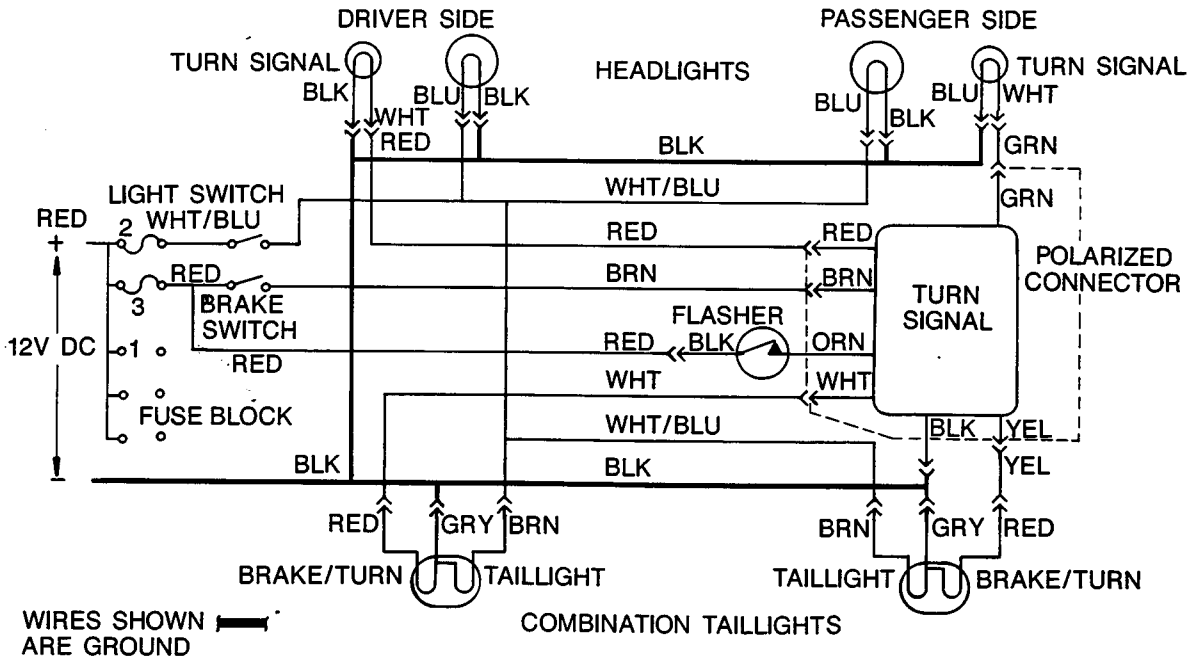


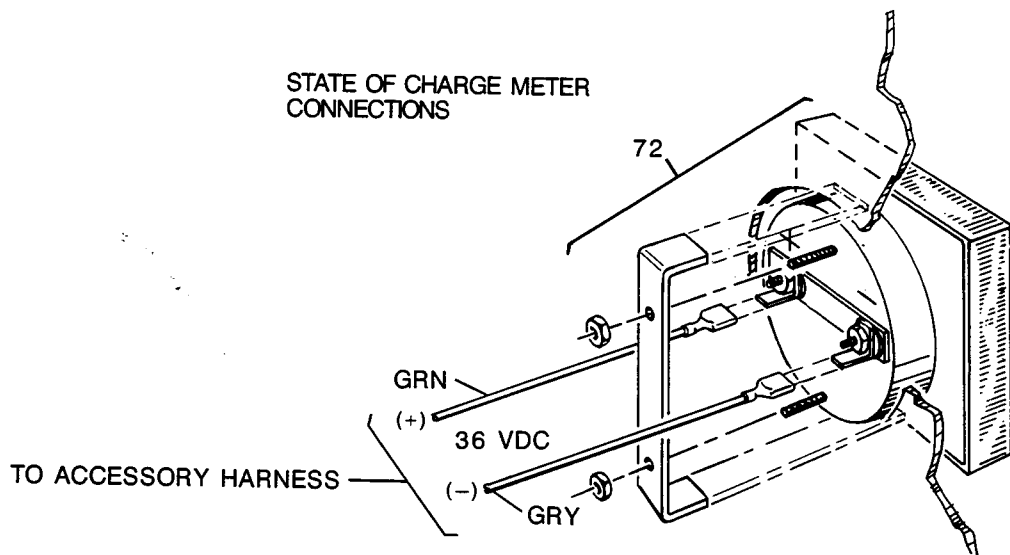
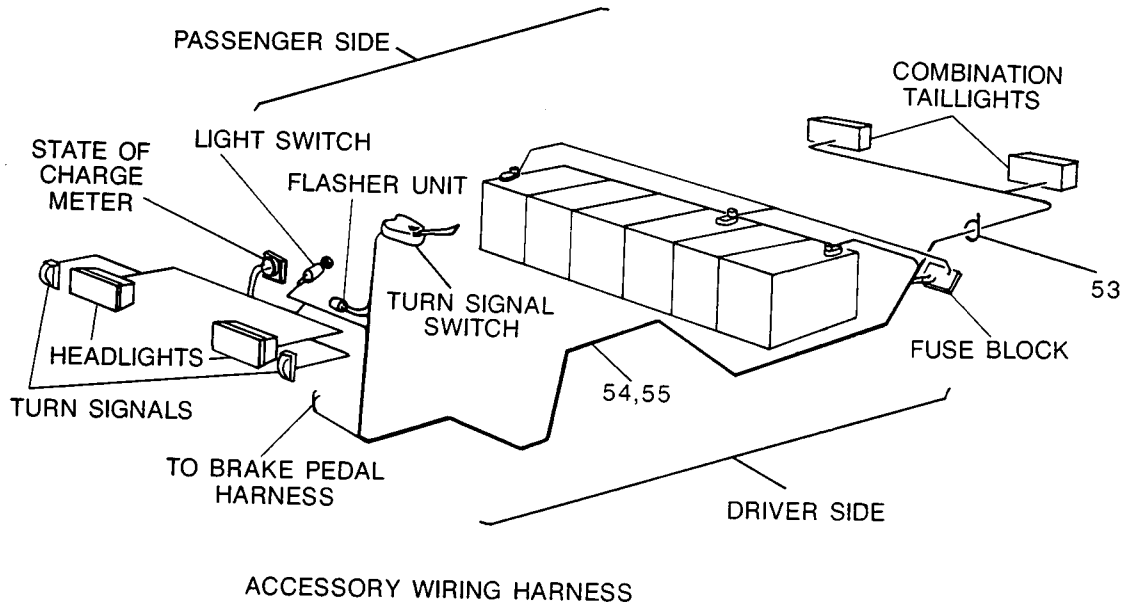
ACCESSORY WIRING  
WITH TURN SIGNALS

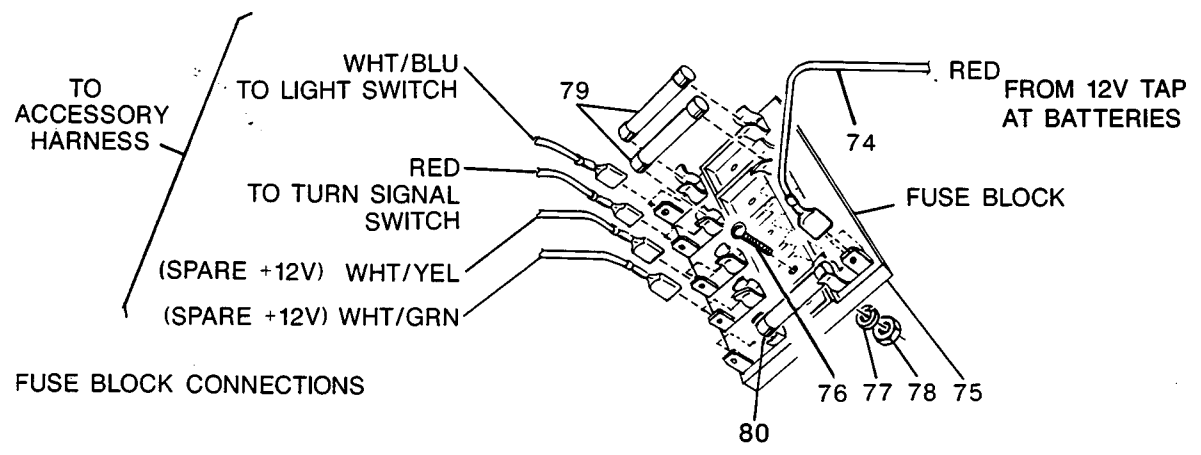
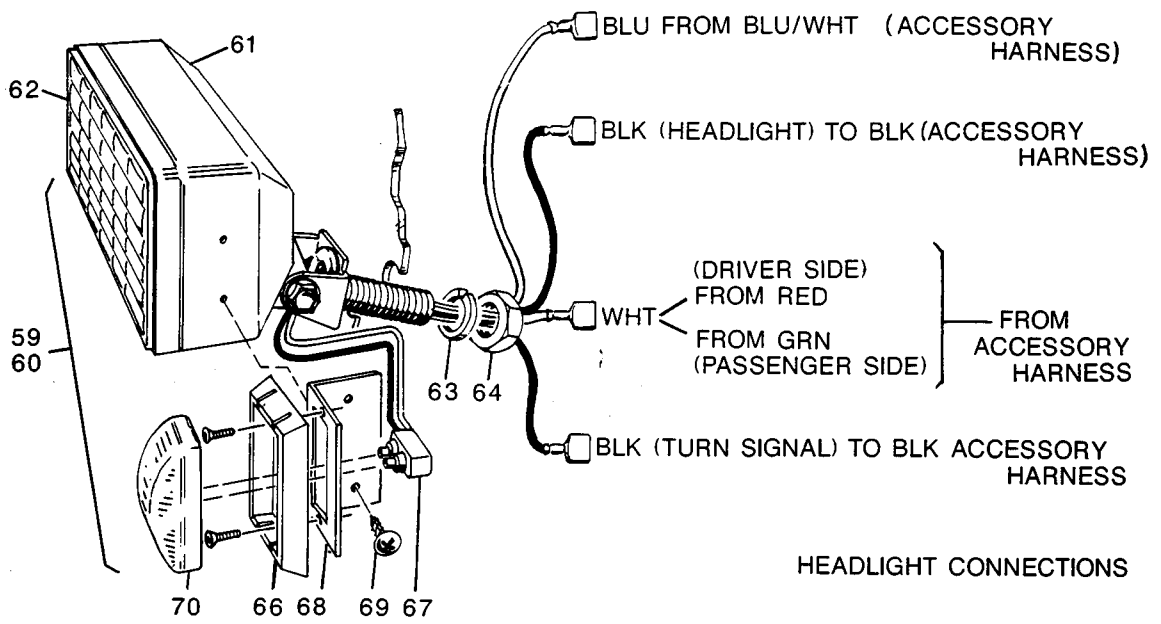
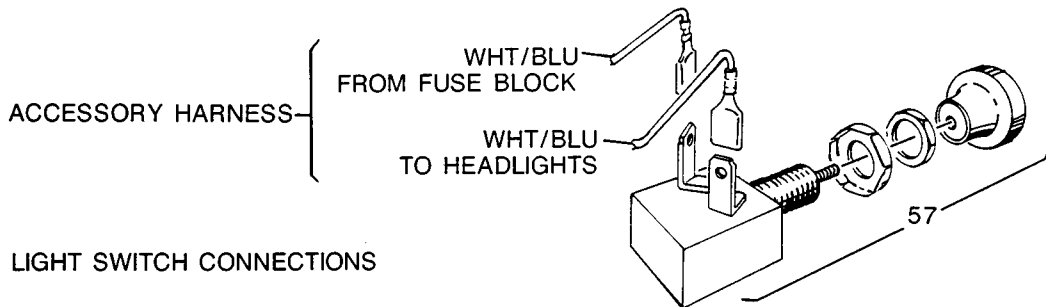


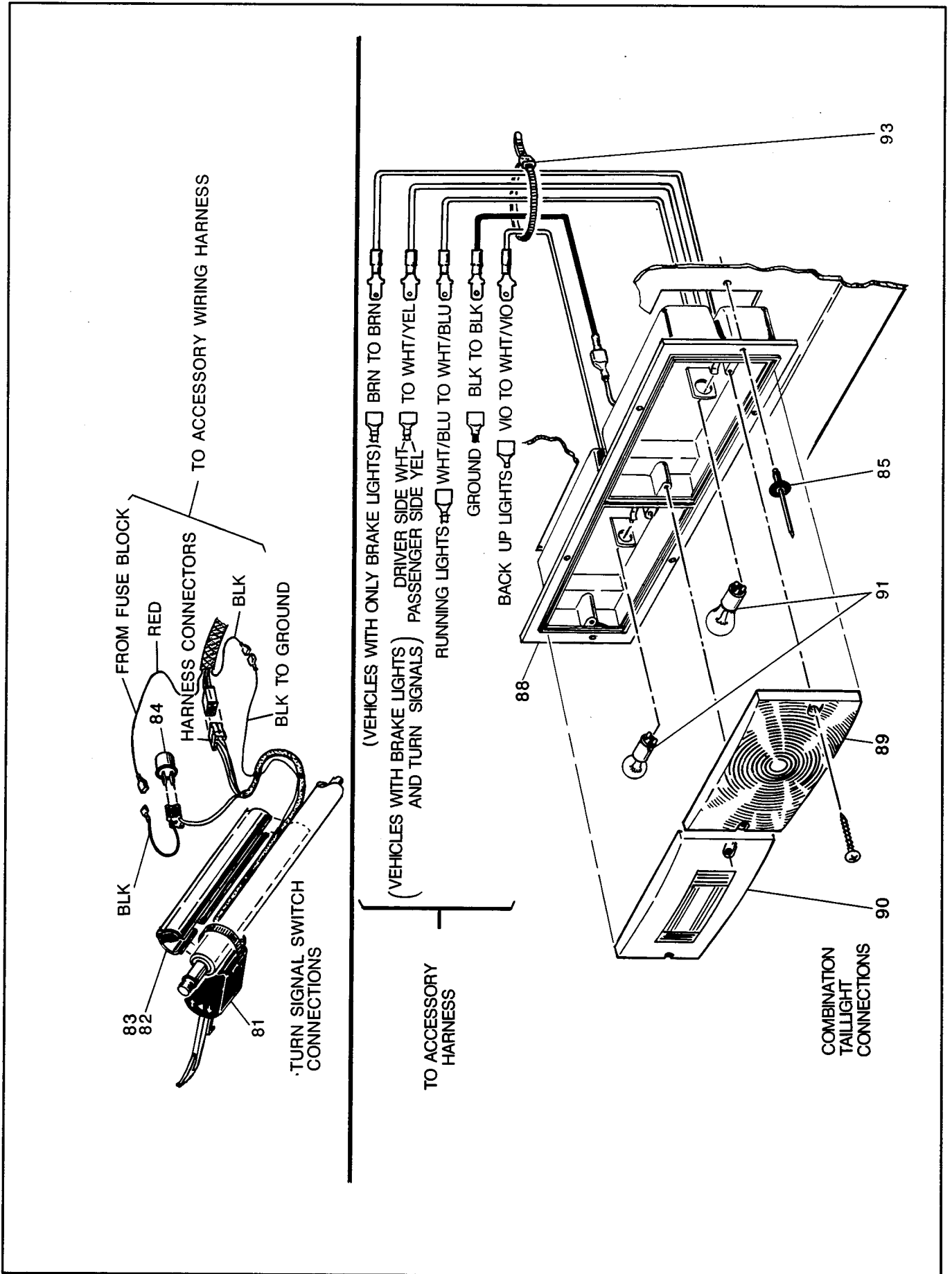


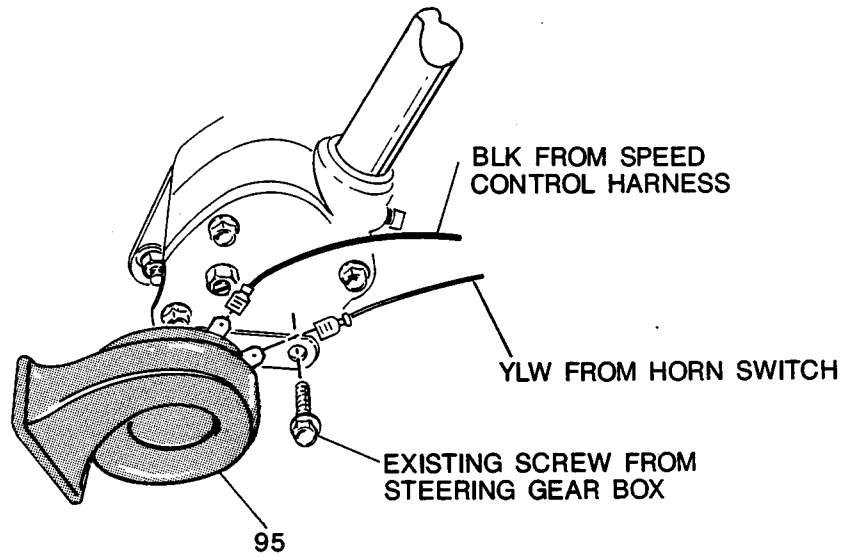
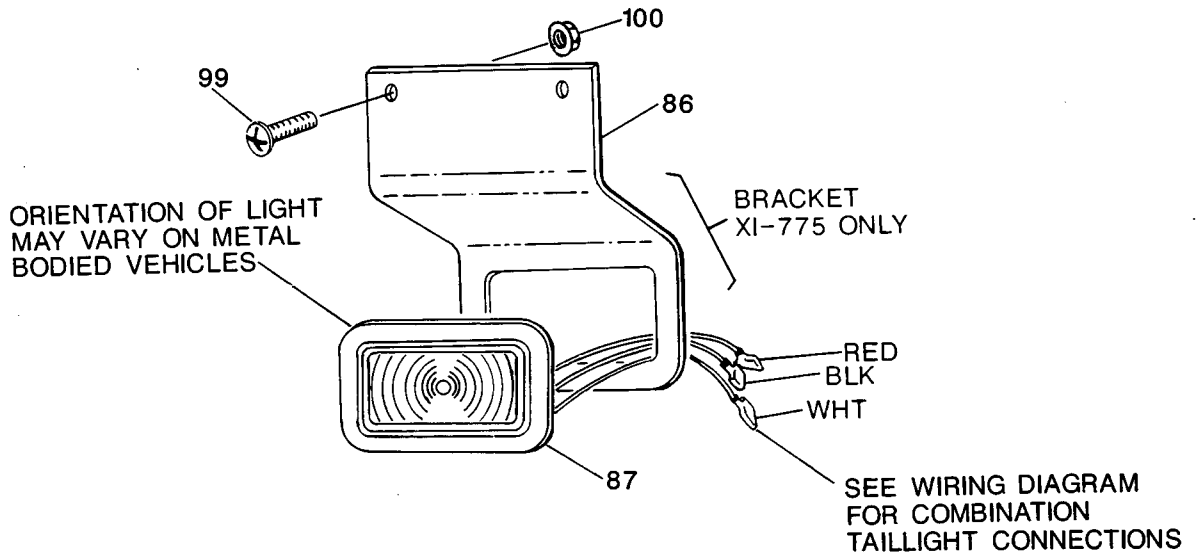
ACCESSORY WIRING WITH TURN SIGNALS











# ELECTRICAL

THE USE OF NON U.L. PARTS WILL VOID ANY U.L. LISTING.

When ordering parts, please specify the model and serial number of the product.

\* Indicates a component that is not available as an individual part.

MODEL
ALL MODELS

ITEM	PART NO.	1	2	3	4	5	DESCRIPTION	QTY	
1	30467-G1						WIRE HARNESS, CHARGER - 775, 875, 875P .....	-	
2	30467-G2						WIRE HARNESS, CHARGER - 881 .....	-	
3	30300-G1						WIRE HARNESS, CHARGER - 952, 954, 956, 960 .....	-	
4	30348-G1						WIRE HARNESS, CHARGER - 955, 957 .....	-	
5	32475-G1						WIRE HARNESS, POWER - 775, 875, 875P, 952, 954, 956, 960 ..	-	
6	32475-G2						WIRE HARNESS, POWER - 881, 955, 957 .....	-	
7	32442-G1						WIRE HARNESS, CONTROL - 775, 875, 875P, 952, 954, 956, 960	-	
8	32442-G2						WIRE HARNESS, CONTROL - 881, 955, 957 .....	-	
9	11841-G3						ANGLE, BATTERY HOLD DOWN .....	2	
10	30429-G1						ROD, BATTERY HOLD DOWN .....	6	
11	30430-G1						STRAP, BATTERY HOLD DOWN .....	3	
12	00559-G8						WASHER, 5/16 .....	6	
13	11098-G6						NUT, LOCK, 5/16 - 18 .....	6	
14	**						BATTERY (CONTACT SERVICE PARTS) .....	6	
15	11893-G1						WIRE, 6 GAUGE .....	5	
16	00702-G2						NUT, HEAVY, 5/16 - 18 .....	12	
17	00532-G3						NUT, HEAVY, 5/16 - 18 .....	4	
18	32076-G1						WIRE, 4 GAUGE .....	1	
19	32076-G2						WIRE, 4 GAUGE .....	1	
20	18602-G1						SWITCH, IGNITION (COMPLETE WITH KEY) .....	1	
21	*						NUT, PAL .....	1	
22	*						BEZEL .....	1	
23	17063-G1						KEY .....	1	
24	30533-G1						LABEL, ON/OFF .....	1	
25									
26	18724-G1						HOLDER, RECEPTACLE - 952, 954, 955, 956, 957, 960 .....	1	
27	00645-G2						SCREW, #6 - 32 X 1 1/4 LG. ....	2	
28	00559-G3						WASHER, #6 .....	2	
29	14390-G9						NUT, LOCK, #6 - 32 .....	2	
30									
31	32673-G1						HORN SWITCH ASSEMBLY - 775, 875, 875P, 881 (INCLUDES ITEMS 33 - 36) .....	1	
32	32673-G2						HORN SWITCH ASSEMBLY - 952, 954, 955, 956, 957, 960 (INCLUDES ITEMS 33 - 36) .....	1	
33	20930-G3						WIRE, #16 .....	1	

# ELECTRICAL

THE USE OF NON U.L. PARTS WILL VOID ANY U.L. LISTING.

When ordering parts, please specify the model and serial number of the product.

\* Indicates a component that is not available as an individual part.

ITEM	PART NO.	1	2	3	4	5	DESCRIPTION	MODEL	
								ALL MODELS	
								QTY	
34	20930-G4						WIRE, #16 .....		1
35									
36	20948-G1						SWITCH, HORN .....		1
37									
38	31430-G1						CLAMP, CABLE, CUSHIONED .....		AR
39	00722-G4						SCREW, #8 X 1/2 LG. ....		AR
40	17181-G1						CLAMP, NYLON .....		AR
41									
42	XXXXX-XX						SELECTOR, DIRECTION (SEE SEPARATE ILLUSTRATION) .....		1
43	00565-G8						WASHER, 5/16 .....		4
44	00702-G2						NUT, 5/16 - 18 .....		4
45									
46	XXXXX-XX						ACCELERATOR SWITCH ASSEMBLY (RESISTOR COIL VERSION) INCLUDES ITEMS 47 - 49 .....		1
47	30210-G1						SWITCH, ACCELERATOR .....		1
48	*						WASHER .....		1
49	*						NUT .....		1
50	XXXXX-XX						ACCELERATOR ASSEMBLY (SOLID STATE SPEED CONTROL) SEE SEPARATE ILLUSTRATION .....		1
51	XXXXX-XX						SOLENOID AND RESISTOR COIL (SEE SEPARATE ILLUSTRATION) .		1
52									
53	17618-G1						CLAMP, NYLON .....		AR
54	30308-G1						HARNESS, ACCESSORY WIRING - 775, 875, 875P, 881, 952, 954, 956, 960 .....		1
55	30308-G2						HARNESS, ACCESSORY WIRING - 955, 957 .....		1
56									
57	18431-G1						SWITCH, LIGHT (INCLUDES KNOB AND HARDWARE) .....		1
58									
59	30395-G1						HEADLIGHT AND TURN SIGNAL, DRIVER'S SIDE (INCLUDES ITEMS 61 - 70) 952, 954, 955, 956, 957, 960 .....		1
60	30395-G2						HEADLIGHT AND TURN SIGNAL, PASSENGER'S SIDE (INCLUDES ITEMS 61 - 70) 952, 954, 955, 956, 957, 960 .....		1
61	30394-G1						HEADLIGHT ASSEMBLY (INCLUDES ITEMS 62 - 70) .....		1
62	22523-G1						BULB (REPLACEMENT) .....		AR
63	00566-G3						WASHER, 1/2 .....		1
64	00533-G1						NUT, 1/2 - 13 .....		1



# ELECTRICAL

THE USE OF NON U.L. PARTS WILL VOID ANY U.L. LISTING.

When ordering parts, please specify the model and serial number of the product.

\* Indicates a component that is not available as an individual part.

ITEM	PART NO.	1	2	3	4	5	DESCRIPTION	MODEL	
								ALL MODELS	
								QTY	
65									
66	18927-G1						ADAPTER KIT (INCLUDES MOUNTING SCREWS) .....		1
67	18927-G8						PLUG AND HARNESS .....		1
68	21806-G1						BRACKET, TURN SIGNAL .....		1
69	00598-G4						SCREW, SELF TAPPING, #10 - 16 X 1/2 LG. ....		2
70	19180-G2						BULB, YELLOW (REPLACEMENT) .....		AR
71									
72	31390-G1						METER, STATE OF CHARGE - 952, 954, 955, 956, 957, 960 ....		1
73									
74	30371-G1						WIRE .....		1
75	22674-G1						BLOCK, FUSE .....		1
76	00138-G4						SCREW, #6 - 32 X 1/2 LG. ....		2
77	00565-G3						WASHER, #6 .....		2
78	00525-G5						NUT, #6 - 32 .....		2
79	18392-G2						FUSE, 20 AMP .....		2
80	18392-G1						FUSE, 15 AMP .....		1
81	30372-G1						SWITCH, TURN SIGNAL .....		1
82	32674-G1						COVER, STEERING WHEEL - 775, 875, 875P, 881 .....		1
83	32675-G2						COVER, STEERING WHEEL - 952, 954, 955, 956, 957, 960 .....		1
84	21640-G1						FLASHER, TURN SIGNAL .....		1
85	14601-G1						RIVET (ITEMS 85, 88 FOR USE ON 952, 954, 955, 956, 957, 960 MODELS) .....		4
86	32740-G1						BRACKET, TAILLIGHT - 775 .....		2
87	32739-G2						LAMP. STOP/TAIL .....		2
88	30509-G2						TAILLIGHT ASSEMBLY (INCLUDES ITEMS 89 - 91) .....		2
89	30530-G1						LENS, TAILLIGHT / STOP LIGHT .....		1
90	30531-G1						LENS, BACKUP LIGHT .....		1
91	21759-G1						BULB, TAILLIGHT (REPLACEMENT) .....		AR
92									
93	14607-G1						CLAMP, NYLON .....		AR
94									
95	32860-G1						HORN (INCLUDES ITEMS 96 - 98) .....		1
96	*						NUT, 1/4 - 20 .....		1
97	*						SCREW, 1/4 - 20 X 3/4 LG. ....		1
98	*						WASHER, LOCK, 1/4 .....		1

# ELECTRICAL

THE USE OF NON U.L. PARTS WILL VOID ANY U.L. LISTING.

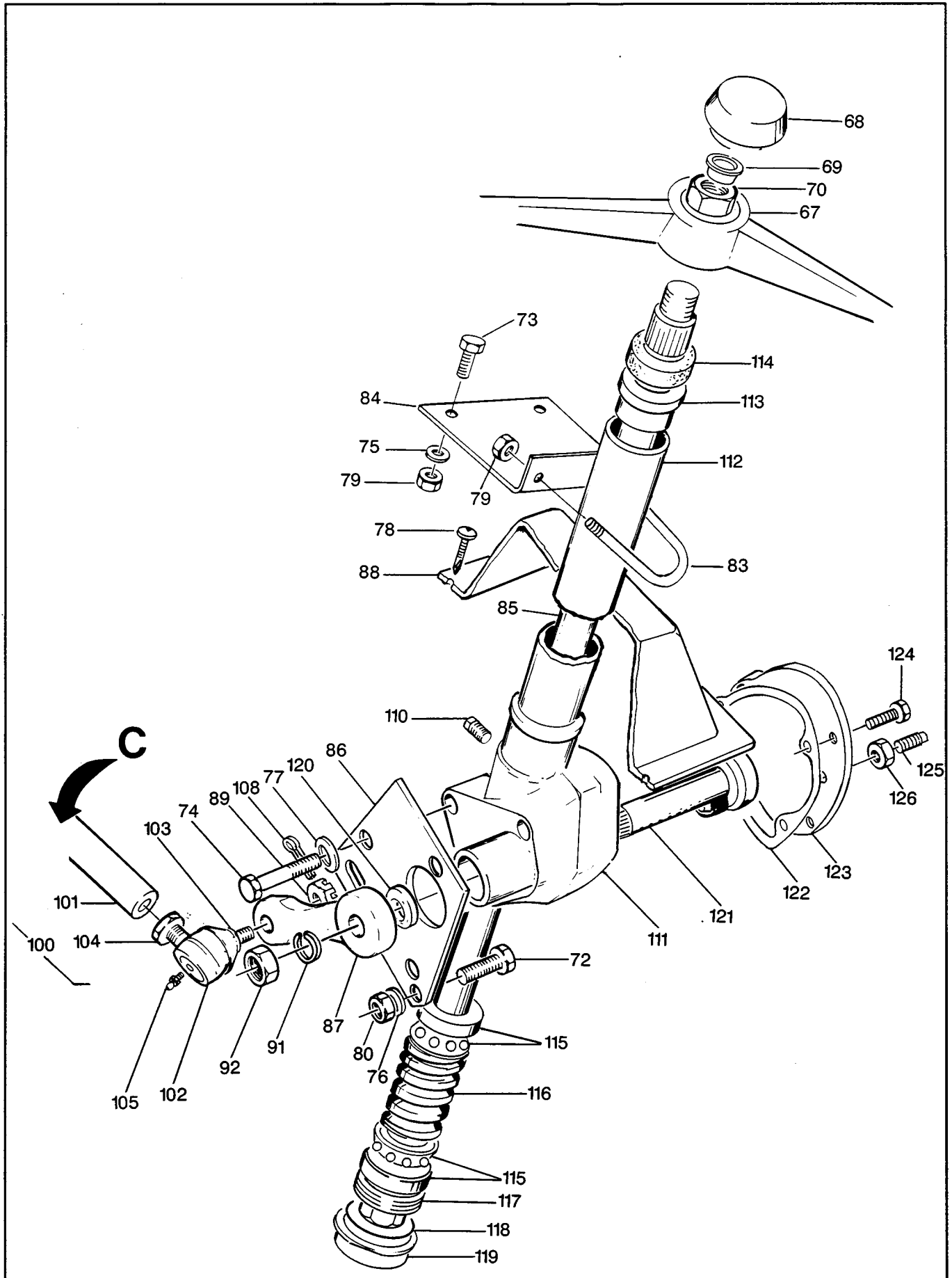
When ordering parts, please specify the model and serial number of the product.

\* Indicates a component that is not available as an individual part.

MODEL
ALL MODELS

ITEM	PART NO.	1 2 3 4 5					DESCRIPTION	QTY		
99	00414-G6						SCREW, 1/4 - 20 X 3/4 .....		4	
100	00891-G2						NUT, LOCK, NYLON, 1/4 - 20 .....		4	







# FRONT STEERING / SUSPENSION

THE USE OF NON U.L. PARTS WILL VOID ANY U.L. LISTING.

When ordering parts, please specify the model and serial number of the product.

\* Indicates a component that is not available as an individual part.

ITEM	PART NO.	1	2	3	4	5	DESCRIPTION	MODEL		
								ALL MODELS		
								QTY		
1	32948-G1	FRONT AXLE ASSEMBLY (INCLUDES ITEMS 2 - 38) .....							1	
2	30132-G1	AXLE CROSSMEMBER .....							1	
3	30154-G1	BUSHING, KING PIN .....							4	
4	30155-G1	CRUSH SLEEVE .....							2	
5	30156-G1	WASHER, THRUST .....							3	
6	00731-G1	WASHER, SPRING, 3/4 .....							1	
7	10387-G4	PIN, COTTER .....							2	
8	00560-G6	WASHER, 3/4 NARROW .....							2	
9	30500-G1	WASHER, SPECIAL .....							2	
10	10389-G3	FITTING, GREASE .....							2	
11	30157-G1	BOLT, KING PIN .....							2	
12	00536-G2	NUT, SLOTTED, 1/2 - 20 .....							2	
13	10387-G4	PIN, COTTER, 1/8 X 1 1/4 LG. ....							2	
14	19202-G2	TIE ROD ASSEMBLY (INCLUDES ITEMS 15 - 21) .....							1	
15	19307-G1	TIE ROD SUB ASSEMBLY .....							1	
16	10389-G3	FITTING, GREASE .....							2	
17	20787-G1	TUBE, THREADED .....							1	
18	20795-G1	TIE ROD END, L.H. ....							1	
19	20795-G2	TIE ROD END, R.H. ....							1	
20	50209-G1	NUT, SLOTTED .....							2	
21	10387-G2	PIN, COTTER, 3/32 X 1 LG. ....							2	
22	30138-G2	HUB AND STEERING KNUCKLE ASSEMBLY, R.H. (INCLUDES ITEMS 24 - 31, 33) .....							1	
23	30139-G2	HUB AND STEERING KNUCKLE ASSEMBLY, L.H. (INCLUDES ITEMS 24 - 32)								
24	00518-G8	NUT, SLOTTED, 3/4 - 16 .....							1	
25	00742-G2	WASHER, 3/4 .....							1	
26	10387-G1	PIN, COTTER .....							1	
27	11750-G2	BEARING ROLLER CONE, 1" SPINDLE .....							2	
28	30146-G1	CAP, DUST .....							1	
29	12092-G1	SEAL, GREASE .....							1	
30	51141-G1	RACE, BEARING .....							2	
31	32783-G1	HUB .....							1	
32	30148-G1	STEERING KNUCKLE ASSEMBLY, L.H. (INCLUDES ITEMS 35, 36) .....							1	

# FRONT STEERING / SUSPENSION

THE USE OF NON U.L. PARTS WILL VOID ANY U.L. LISTING.

When ordering parts, please specify the model and serial number of the product.

\* Indicates a component that is not available as an individual part.

							MODEL	
							ALL MODELS	
ITEM	PART NO.	1	2	3	4	5	DESCRIPTION	QTY
33	30147-G1						STEERING KNUCKLE ASSEMBLY, R.H. (INCLUDES ITEMS 35, 37) .....	1
34	30149-G1						AXLE SHAFT .....	1
35	30380-G1						STEERING KNUCKLE, L.H.. .....	1
36	30379-G1						STEERING KNUCKLE, R.H. ....	1
37	14723-G1						NUT, LUG .....	5
38	19862-G1						BOLT, WHEEL .....	5
39								
40								
41								
42								
43								
44								
45								
46								
47								
48	00428-G4						SCREW, 3/8 - 16 X 1/2 LG. ....	8
49	00458-G2						SCREW, 5/8 - 11 X 2 1/4 LG. ....	1
50	00532-G6						NUT, 3/8 - 24 .....	1
51								
52	10194-G1						BUSHING, RUBBER SHOCK ABSORBER .....	2
53	10435-G1						WASHER, SHOCK ABSORBER .....	2
54	11098-G5						NUT, LOCK, LIGHT, 3/8 - 16 .....	8
55								
56	13521-G4						NUT, UNITORQUE, 3/8 - 16 .....	6
57	14390-G7						NUT, LOCK, PLASTIC INSERT, 5/8 - 11 .....	1
58	15727-G1						BOLT, SHOULDER, 3/8 - 16 X 2 3/8 .....	6
59	20098-G1						BUSHING, RUBBER, LEAF SPRING .....	12
60	21781-G1						SHOCK ABSORBER .....	1
61	30035-G1						SHACKLE, LEAF SPRING .....	2
62								
63	30035-G2						SHACKLE, LEAF SPRING .....	2
64	30135-G2						PLATE, SPRING MOUNTING .....	2
65	30159-G2						SPRING, LEAF, FRONT .....	1
66								

# FRONT STEERING / SUSPENSION

THE USE OF NON U.L. PARTS WILL VOID ANY U.L. LISTING.

When ordering parts, please specify the model and serial number of the product.

\* Indicates a component that is not available as an individual part.

ITEM	PART NO.	1	2	3	4	5	DESCRIPTION	MODEL	
								ALL MODELS	
67	16565-G1						WHEEL, STEERING .....	1	
68	18422-G1						INSERT, STEERING WHEEL .....	1	
69	24648-G1						CAP, PLUG, #3 .....	1	
70	00545-G6						NUT, JAM, 5/8 - 18 .....	1	
71									
72	00289-G8						SCREW, 7/16 - 14 X 2 LG. ....	2	
73	00414-G8						SCREW, 1/4 - 20 X 1 LG. ....	2	
74	00462-G8						SCREW, 7/16 - 14 X 1 LG. ....	1	
75	00559-G7						WASHER, 1/4 .....	4	
76	00560-G2						WASHER, 7/16 .....	4	
77	00566-G2						WASHER, LOCK, 7/16 .....	2	
78	00614-G4						SCREW, SELF DRILL - TAP, #8 - 18 .....	4	
79	00654-G2						NUT, LOCK, PLASTIC INSERT, STAINLESS STEEL .....	4	
80	00734-G1						NUT, LOCK, NYLON INSERT, 7/16 - 14 .....	2	
81									
82	10387-G2						PIN, COTTER, 3/32 X 1 .....	2	
83	11162-G1						U-BOLT .....	1	
84	30056-G1						BRACE, STEERING COLUMN .....	1	
85	30544-G1						STEERING GEAR .....	1	
86	30545-G1						MOUNT, STEERING GEAR .....	1	
87	30547-G1						ARM, PITMAN .....	1	
88	31391-G1						COVER, STEERING .....	1	
89	50209-G1						NUT, SLOTTED, 7/16 - 20 .....	2	
90									
91	00566-G5						WASKER, LOCK, 5/8 .....	1	
92	00545-G6						NUT, 5/8 - 18 .....		
93									
94									
95									
96									
97									
98									
99									
100	30548-G1						STEERING LINK ASSEMBLY (INCLUDES ITEMS 101 - 107) .....	1	



# FRONT STEERING / SUSPENSION

THE USE OF NON U.L. PARTS WILL VOID ANY U.L. LISTING.

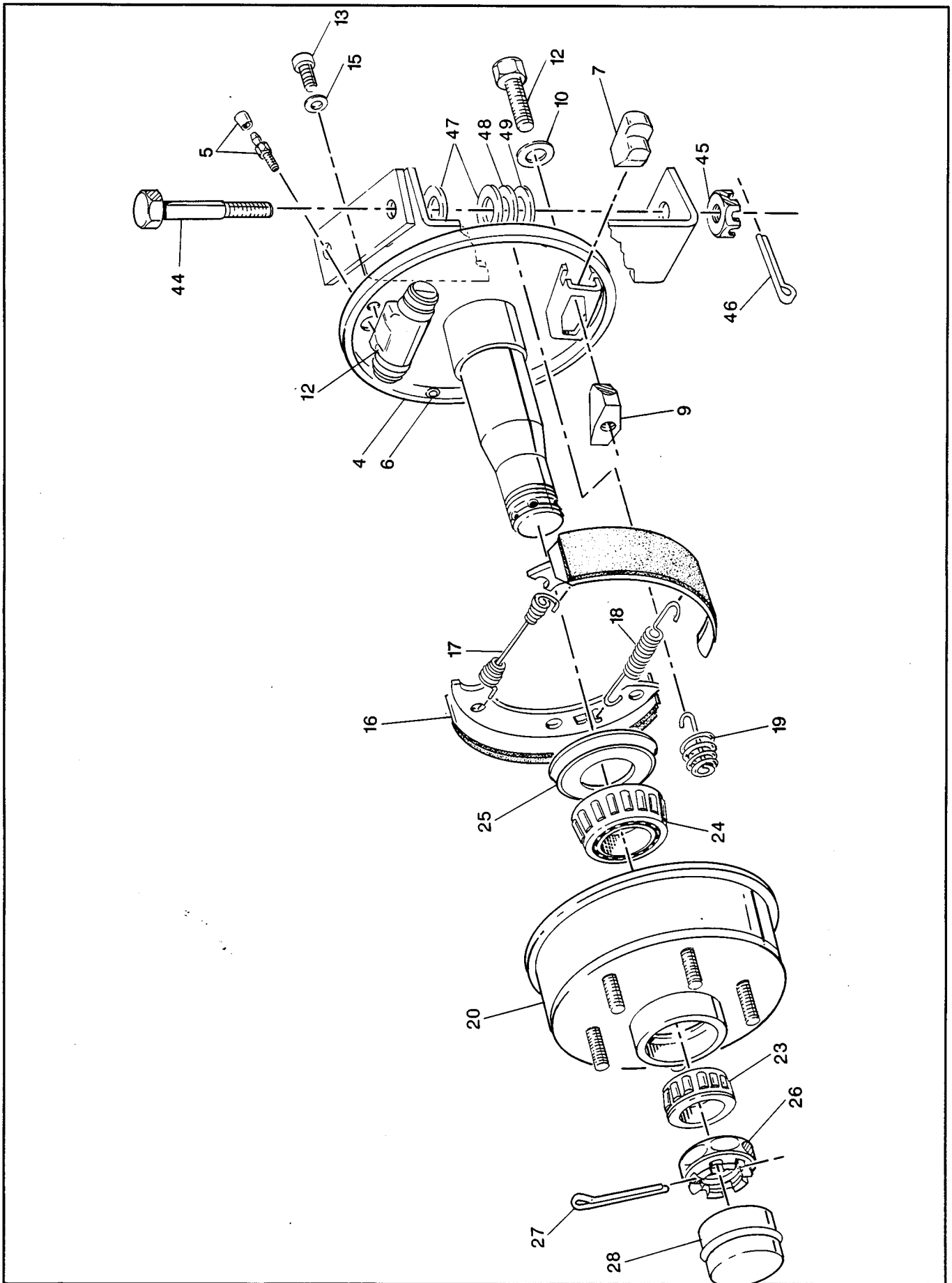
When ordering parts, please specify the model and serial number of the product.

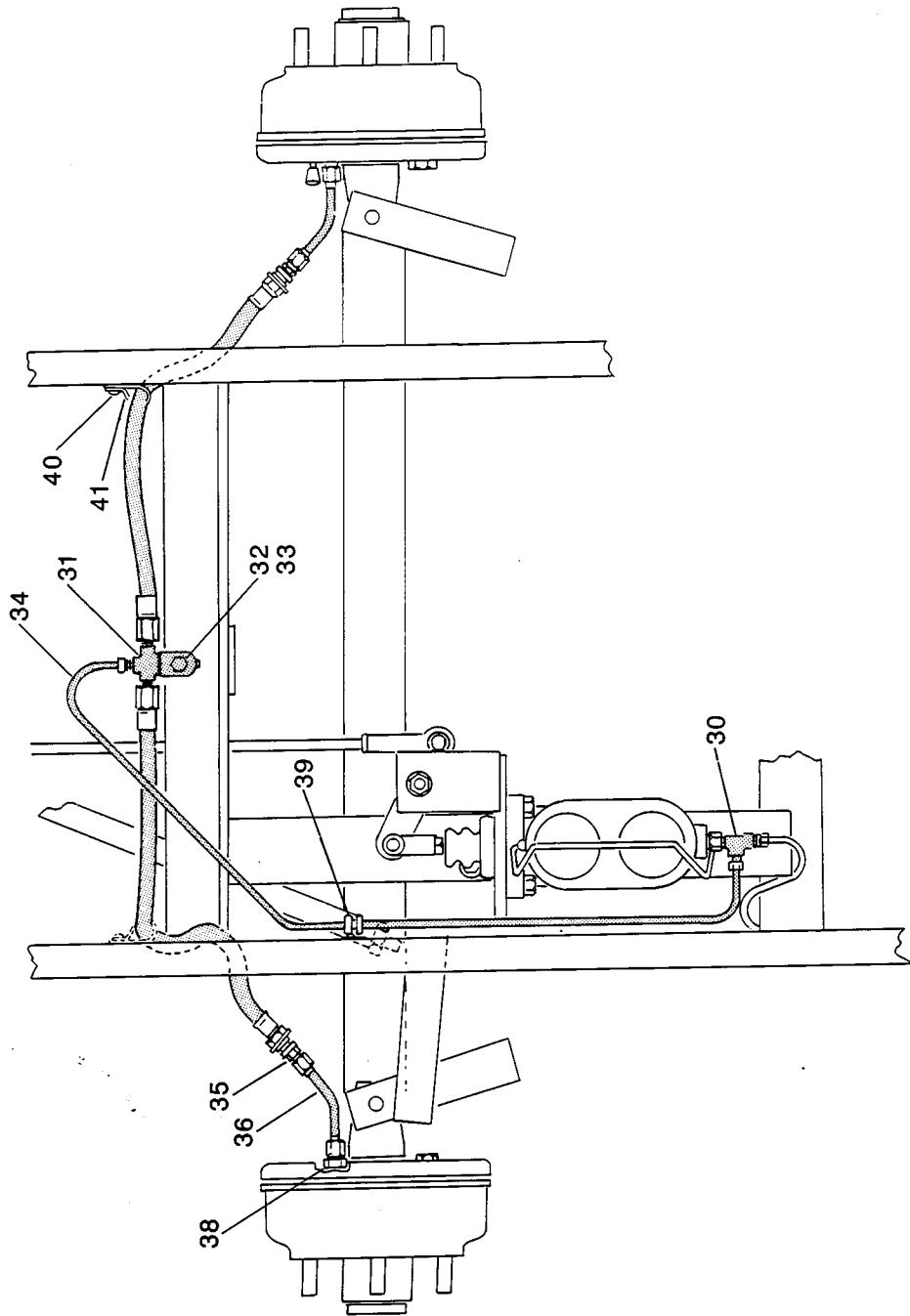
\* Indicates a component that is not available as an individual part.

MODEL	
ALL	MODELS

ITEM	PART NO.	1	2	3	4	5	DESCRIPTION	QTY	
101	30549-G1						LINK, STEERING .....	1	
102	20795-G2						BALL JOINT ASSEMBLY, R.H. (INCLUDES ITEMS 103 - 105) ..	2	
103	50641-G1						BOOT, RUBBER .....	2	
104	18434-G2						NUT, JAM, 9/16 - 18, R.H. ....	2	
105	10389-G3						FITTING, GREASE .....	2	
106	50209-G1						NUT, SLOTTED .....	1	
107	10387-G2						PIN, COTTER, 3/32 X 1 .....	1	
108									
109									
110	30544-G1						STEERING ASSEMBLY (INCLUDES ITEMS 111 -126) .....	1	
111	32024-G1						HOUSING .....	1	
112	31552-G1						TUBE .....	1	
113	31772-G1						BEARING, COLUMN .....	1	
114	31497-G1						COVER, DUST .....	1	
115	32025-G1						BALL CUP AND RETAINER ASSEMBLY .....	2	
116	32026-G1						CAM AND TUBE ASSEMBLY .....	2	
117	31769-G1						PLUG, END .....	1	
118	31770-G1						SEAL .....	1	
119	31771-G1						NUT, SPECIAL .....	1	
120	31767-G1						SEAL .....	1	
121	31774-G1						SHAFT, LEVER .....	1	
122	31777-G1						GASKET .....	1	
123	31775-G1						COVER, SIDE .....	1	
124	00270-G7						SCREW, 5/16 - 18 X 7/8 .....	1	
125	31776-G1						SCREW, ADJUSTING .....	1	
126	00533-G2						NUT, 1/2 - 20 .....	1	







# BRAKES, FRONT HYDRAULIC

THE USE OF NON U.L. PARTS WILL VOID ANY U.L. LISTING.

When ordering parts, please specify the model and serial number of the product.

\* Indicates a component that is not available as an individual part.

ITEM	PART NO.	1	2	3	4	5	DESCRIPTION	MODEL		
								IF APPLICABLE		
								QTY		
1	32828-G1						KNUCKLE, BRAKE AND STEERING, R.H. (INCLUDES ITEMS 4 - 28) .....		1	
2	32828-G2						KNUCKLE, BRAKE AND STEERING, L.H. (INCLUDES ITEMS 4 - 28) .....		1	
3										
4	32817-G1						STUD WITH BACKING PLATE .....		1	
5	*						BLEEDER VALVE WITH COVER .....		1	
6	*						PLUG, PLASTIC .....		2	
7	32818-G1						BOLT, ADJUSTER .....		2	
8										
9	32820-G1						WEDGE .....		1	
10	*						WASHER .....		1	
11	32821-G1						BOLT, M10 X 33 .....		1	
12	32998-G1						CYLINDER, WHEEL, 19.05 mm DIAMETER .....		1	
13	32747-G1						SCREW, SOCKET HEAD .....		2	
14										
15	32748-G1						WASHER .....		2	
16	32822-G1						SHOE ASSEMBLY .....		2	
17	32750-G1						SPRING, RETURN .....		1	
18	32751-G1						SPRING, RETURN .....		1	
19	32823-G1						SPRING, HOLD DOWN .....		2	
20	32824-G1						HUB / DRUM .....		1	
21										
22										
23	32755-G1						BEARING, TAPERED .....		1	
24	32756-G1						BEARING, TAPERED .....		1	
25	32757-G1						PLATE, SEAR .....		1	
26	32758-G1						NUT .....		1	
27	32759-G1						PIN, COTTER .....		1	
28	32760-G1						CAP, DUST .....		1	
29										
30	32782-G1						FITTING, BRAKE TEE .....		1	
31	21103-G1						FRAME TEE, INVERTED FLARE, 3/16 .....		1	
32	00414-G8						SCREW, 1/4 - 20 X 1 LG. ....		1	
33	14390-G4						NUT, LOCK, NYLON INSERT, 1/4 - 20 .....		1	

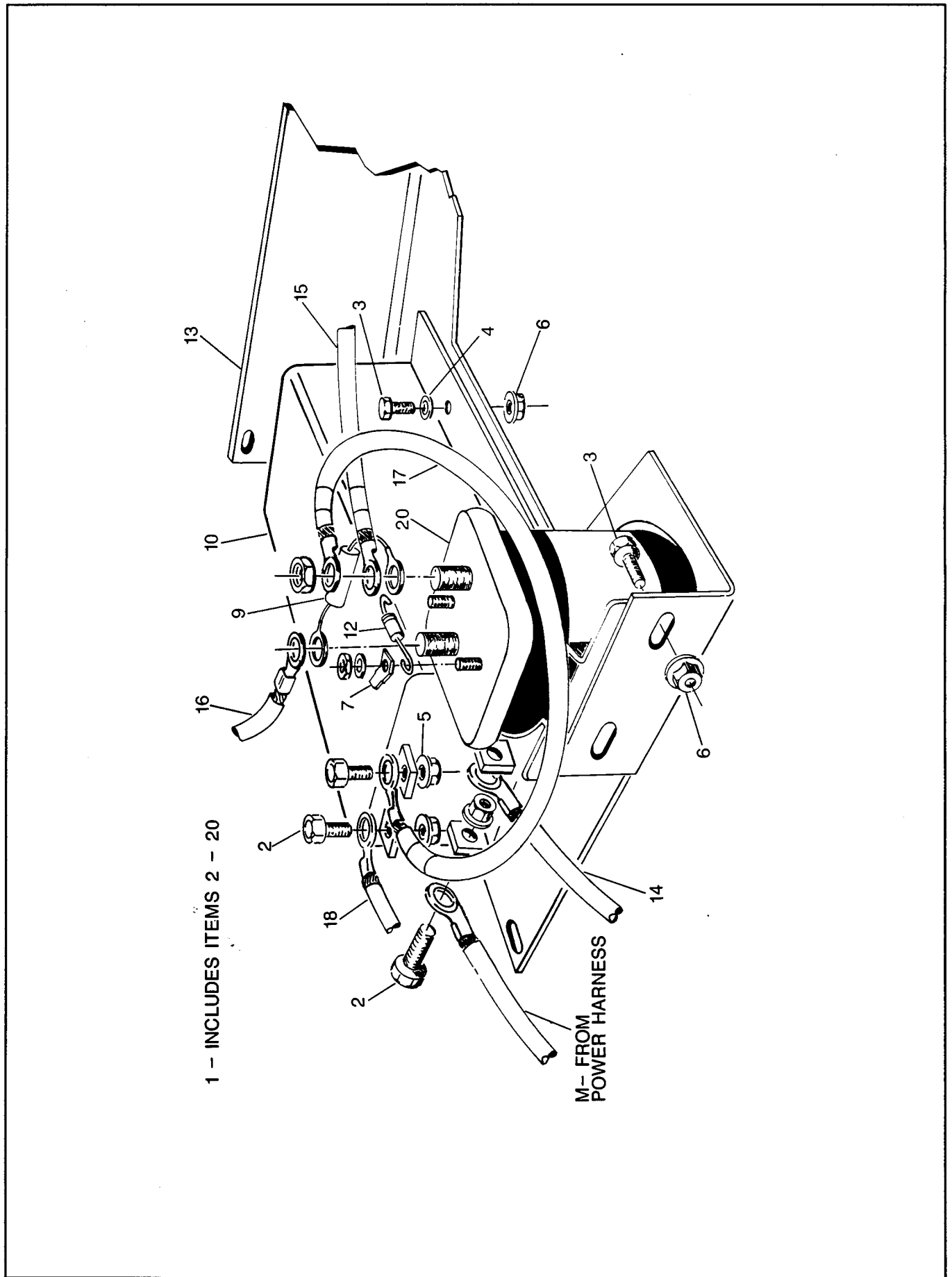
# BRAKES, FRONT HYDAULIC

THE USE OF NON U.L. PARTS WILL VOID ANY U.L. LISTING.

When ordering parts, please specify the model and serial number of the product.

\* Indicates a component that is not available as an individual part.

ITEM	PART NO.	1	2	3	4	5	DESCRIPTION	MODEL		
								IF APPLICABLE		
								QTY		
34	21104-G9						TUBING, BRAKE LINE, 3/8 - 24 NUTS, 3/16 X 30 LG. ....		1	
35	30381-G1						ADAPTER .....		2	
36	30382-G1						ELBOW, TUBE, FEMALE .....		2	
37										
38	30383-G1						CONNECTOR, MALE .....		2	
39	11845-G5						CLAMP, BRAKE LINE .....		1	
40	00106-G6						SCREW, 12 - 24 X 3/4 LG. ....		3	
41	11845-G2						CLIP, CABLE INSULATED .....		2	
42										
43										
44	30157-G1						BOLT, KING PIN .....		2	
45	00536-G2						NUT, THICK, 1/2 - 20 .....		2	
46	10387-G4						PIN, COTTER, 1/8 X 1 .....		2	
47	00560-G6						WASHER, 3/4 NARROW .....		4	
48	30156-G1						WASHER, THRUST .....		2	
49	30500-G1						WASHER, SPECIAL .....		2	



# HDI AND SOLENOID ASSEMBLY

THE USE OF NON U.L. PARTS WILL VOID ANY U.L. LISTING.

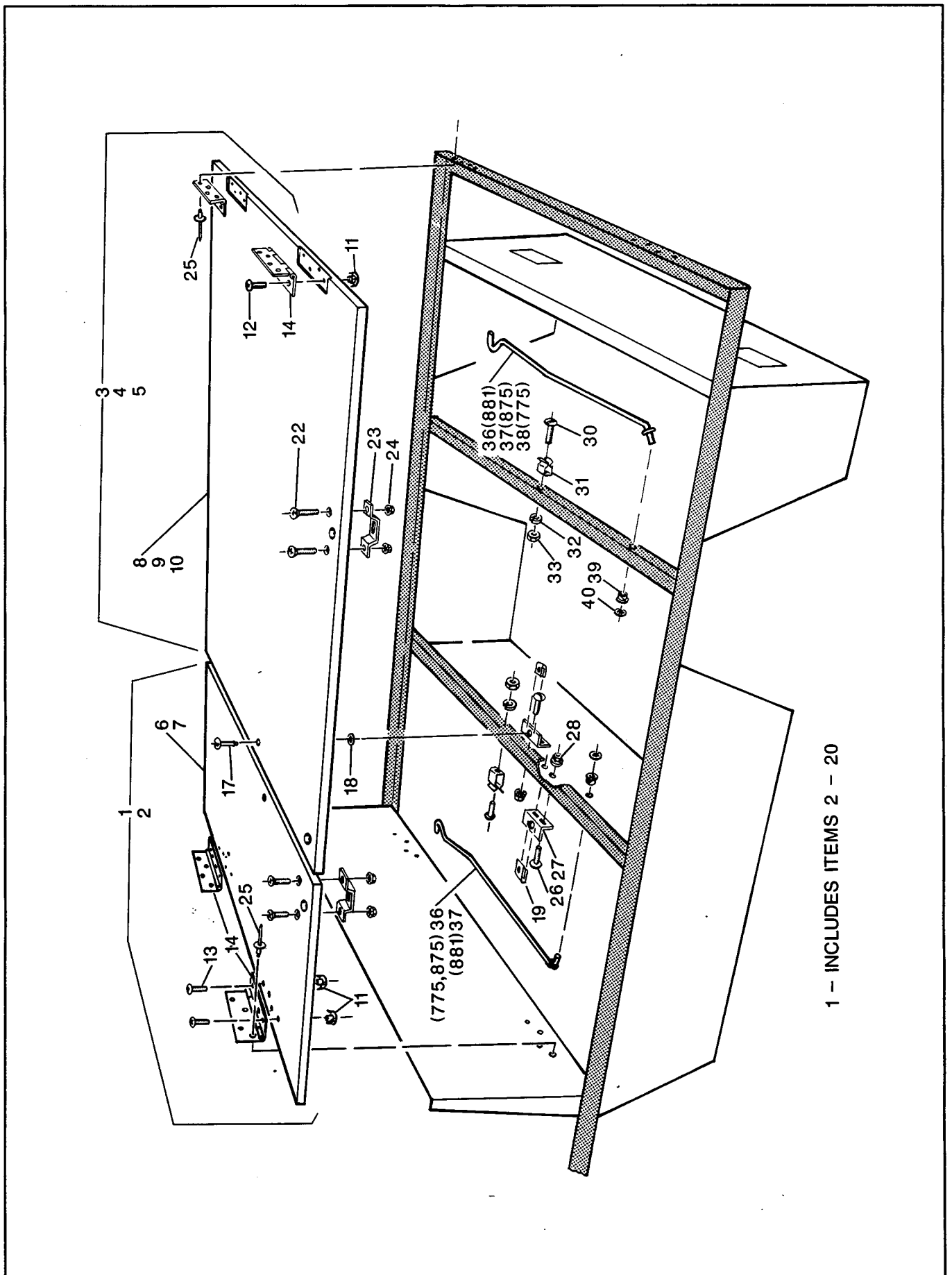
When ordering parts, please specify the model and serial number of the product.

\* Indicates a component that is not available as an individual part.

MODEL
SOLID STATE SPEED CONTROL

ITEM	PART NO.	1	2	3	4	5	DESCRIPTION	QTY		
1	32659-G1	HDI AND SOLENOID ASSEMBLY (INCLUDES ITEMS 2 - 20) .....							1	
2	00270-G6	SCREW, 3/16 - 18 X 3/4 LG. ....							4	
3	00414-G6	SCREW, 1/4 - 20 X 3/4 LG. ....							6	
4	00559-G7	WASHER, 1/4 .....							4	
5	11027-G1	NUT, LOCK, 5/16 - 18 .....							4	
6	11027-G2	NUT, LOCK, 1/4 - 20 .....							6	
7	12914-G1	TAB, FASTON .....							2	
8										
9	21764-G1	RESISTOR .....							1	
10	22717-G1	CONTROLLER, HDI SPEED .....							1	
11										
12	30353-G1	DIODE .....							1	
13	32410-G1	BRACKET, SPEED CONTROLLER .....							1	
14	32474-G1	WIRE, 22" LG. ....							1	
15	32474-G2	WIRE, 14 1/2" LG. ....							1	
16	32474-G3	WIRE, 28" LG. ....							1	
17	32474-G4	WIRE, 12" LG. ....							1	
18	32474-G5	WIRE, 35" LG. ....							1	
19										
20	20468-G1	SOLENOID .....							1	





# HINGED LOAD DECK

THE USE OF NON U.L. PARTS WILL VOID ANY U.L. LISTING.

When ordering parts, please specify the model and serial number of the product.

\* Indicates a component that is not available as an individual part.

						MODEL						
						775	875 875P	881				
ITEM	PART NO.	1	2	3	4	5	DESCRIPTION			QTY		
1	30536-G1	DECK ASSEMBLY, FRONT (INCLUDES ITEMS 6, 13, 14) FOR USE ON 775, 875 MODELS ONLY .....					1	1	-			
2	30536-G2	DECK ASSEMBLY, FRONT (INCLUDES ITEMS 7, 13, 14) .....					-	-	1			
3	30537-G1	DECK ASSEMBLY, REAR (INCLUDES ITEMS 8, 12, 14) .....					1	-	-			
4	30537-G2	DECK ASSEMBLY, REAR (ITEMS 9, 12, 14 FOR USE ON 875 MODEL ONLY) .....					-	1	-			
5	30537-G3	DECK ASSEMBLY, REAR (INCLUDES ITEMS 10, 12, 14) .....					-	-	1			
6	30537-G4	DECK ASSEMBLY, REAR (ITEMS 9, 12, 14 FOR USE ON 875P MODEL ONLY) .....					-	1	-			
7	30538-G1	DECK, FRONT .....					1	1	-			
8	30538-G2	DECK, FRONT .....					-	-	1			
9	30539-G1	DECK, REAR .....					1	-	-			
10	30539-G2	DECK, REAR (875 MODEL ONLY) .....					-	1	-			
11	30539-G3	DECK, REAR .....					-	-	1			
12	30539-G4	DECK, REAR (875P MODEL ONLY) .....					-	1	-			
13	11782-G2	NUT, TEE, 1/4 - 20 .....					8	8	8			
14	16705-G4	SCREW, STAINLESS STEEL, 1/4 - 20 X 1/2 LG. ....					16	16	16			
15	16705-G2	SCREW, STAINLESS STEEL, 1/4 - 20 X 5/8 LG. ....					8	8	8			
16	10222-G1	HINGE .....					2	2	2			
17												
18												
19	00773-G1	STUD, OVAL, 1/4 TURN .....					2	2	2			
20	16836-G1	RETAINER .....					2	2	2			
21	16837-G1	RECEPTACLE, 1/4 TURN .....					2	2	2			
22												
23												
24	00204-G8	SCREW, 1/4 - 20 X 1 LG. ....					4	4	4			
25	18270-G1	BRACKET .....					2	2	2			
26	11027-G2	NUT, LOCK, 1/4 - 20 .....					4	4	4			
27	14601-G5	RIVET, STAINLESS STEEL .....					24	24	24			
28	16705-G2	SCREW, STAINLESS STEEL, 1/4 - 20 X 5/8 LG. ....					4	4	4			
29	22501-G2	MOUNT .....					2	2	2			
30	11027-G2	NUT, LOCK, 1/4 - 20 .....					4	4	4			
31												
32	00138-G4	SCREW, #6- 32 X 1/2 LG. ....					2	2	2			

# HINGED LOAD DECK

THE USE OF NON U.L. PARTS WILL VOID ANY U.L. LISTING.

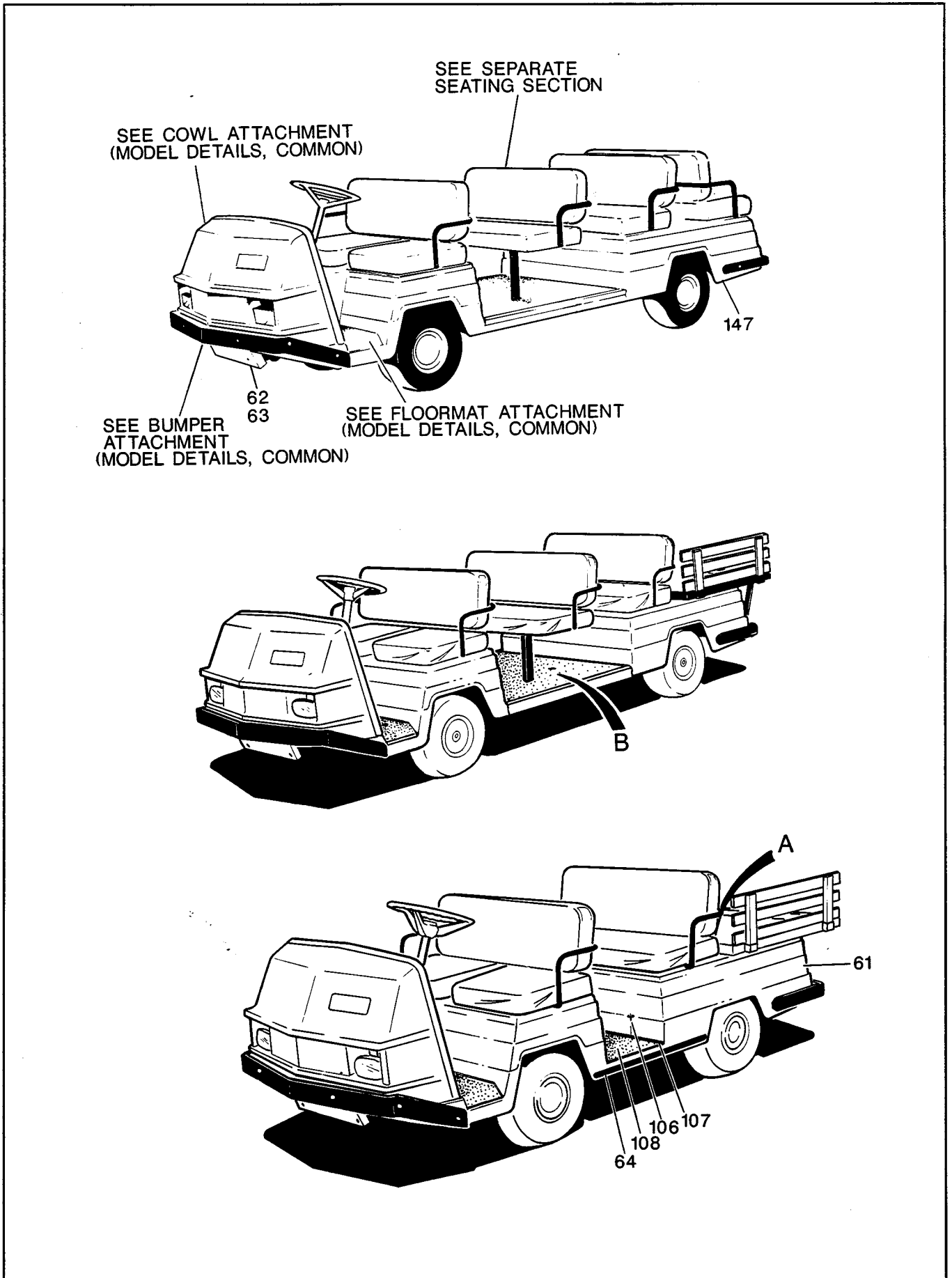
When ordering parts, please specify the model and serial number of the product.

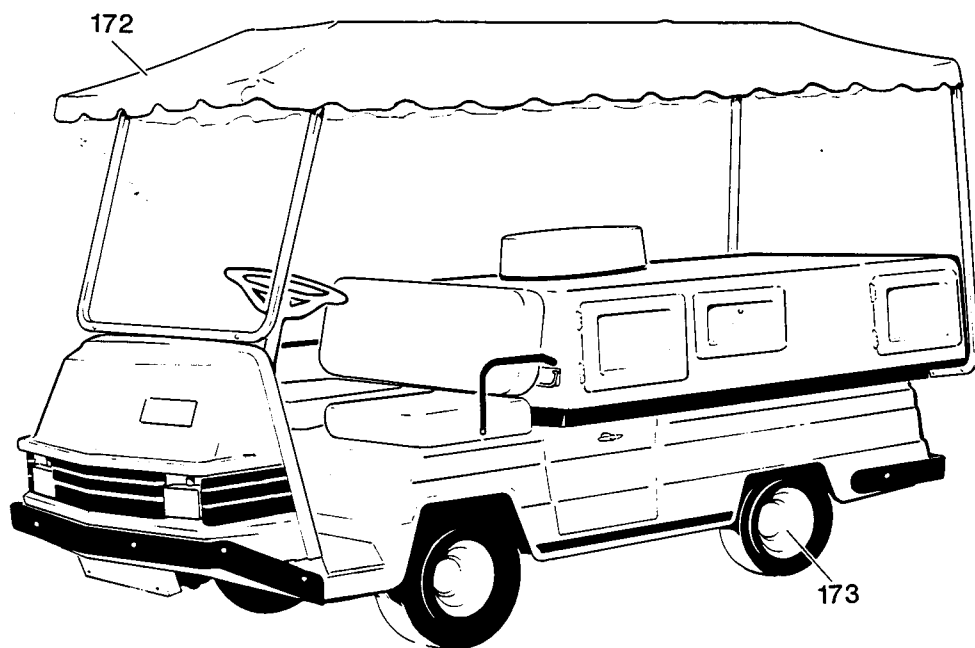
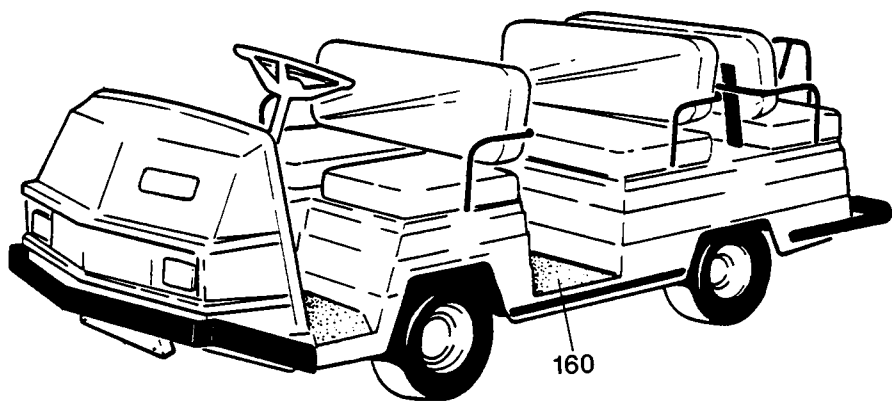
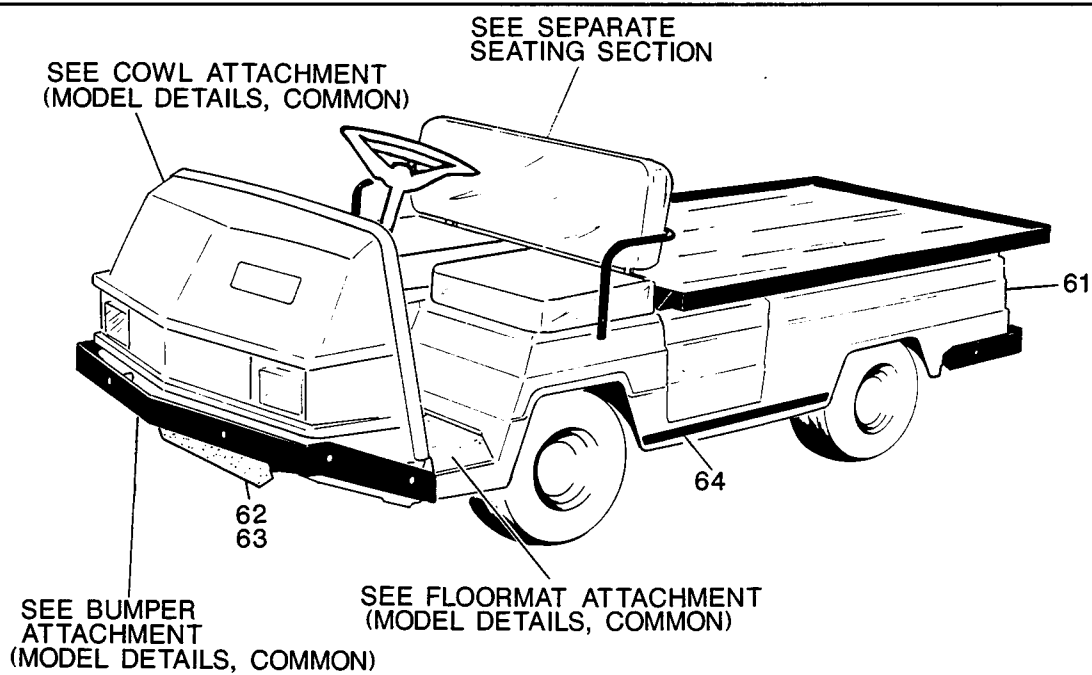
\* Indicates a component that is not available as an individual part.

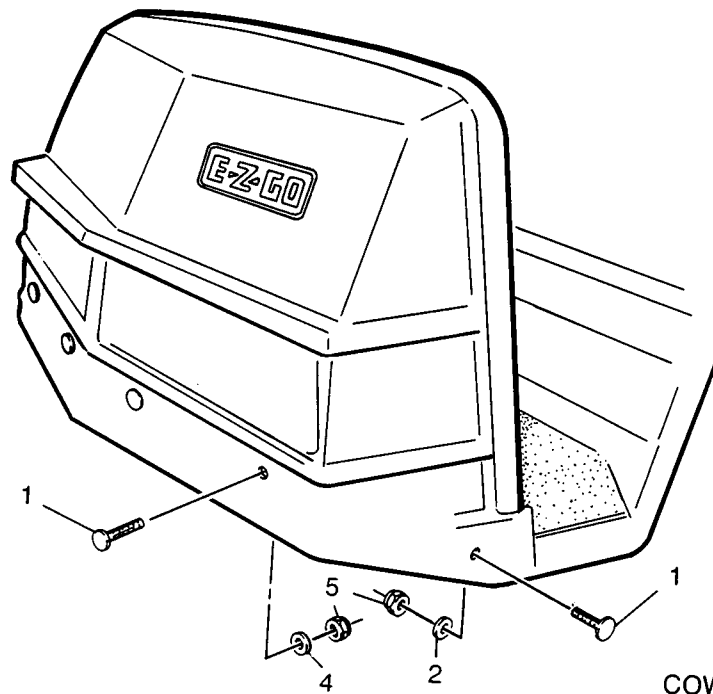
MODEL		
775	875 875P	881

ITEM	PART NO.	1	2	3	4	5	DESCRIPTION	QTY		
								775	875 875P	881
33	21548-G1						CLIP, FASTENING .....	2	2	2
34	00565-G3						WASHER, LOCK, #6 .....	2	2	2
35	17838-G1						BUSHING, NYLINER .....	2	2	2
36										
37										
38	30542-G1						SUPPORT, ROD, FRONT (FOR USE ON 775, 875 MODELS ONLY) .	1	1	-
39	30542-G2						SUPPORT, ROD, REAR (FOR USE ON 875 MODEL ONLY) .....	-	1	-
40	30542-G3						SUPPORT, ROD, REAR (FOR USE ON 775 MODEL ONLY) .....	1	-	-
41	17838-G1						BUSHING .....	2	2	2
42	12064-G1						NUT, PUSH, 5/16 .....	2	2	2

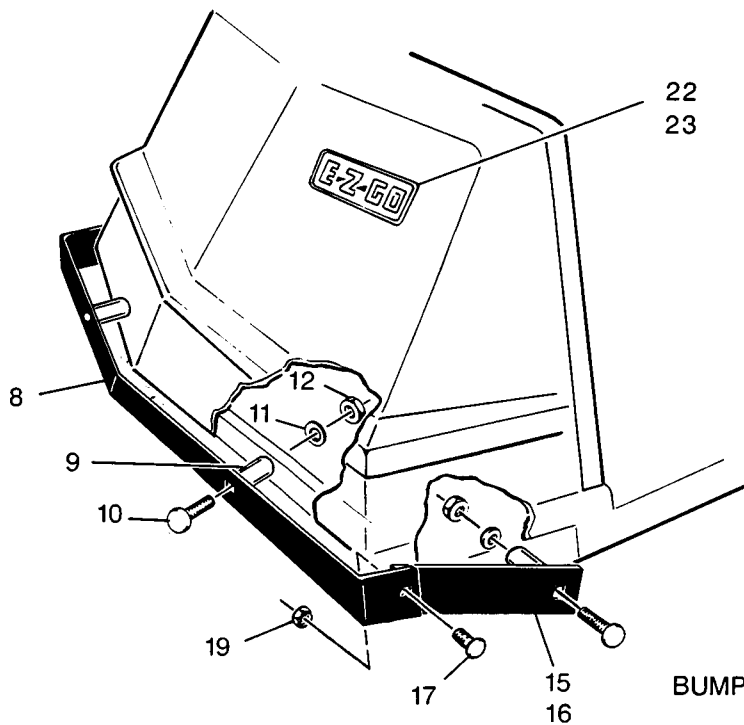




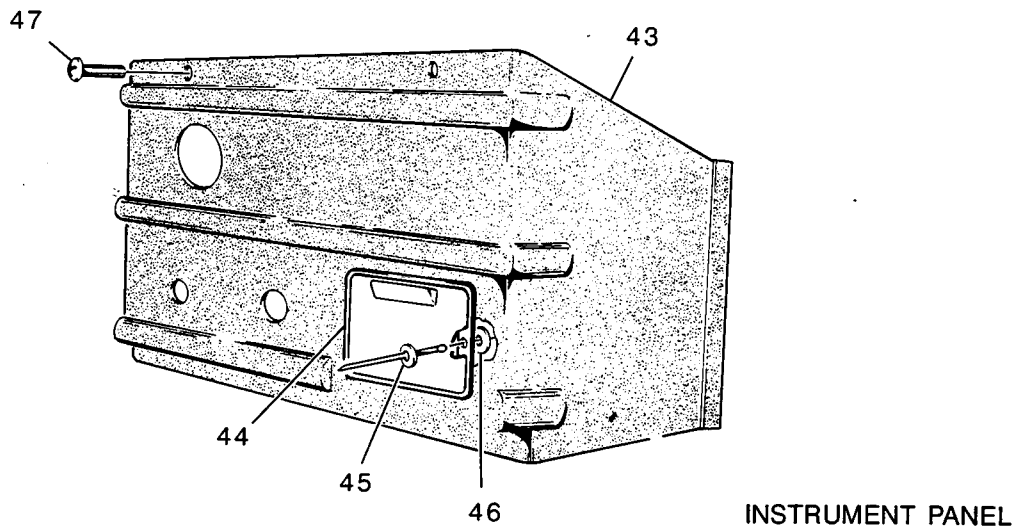
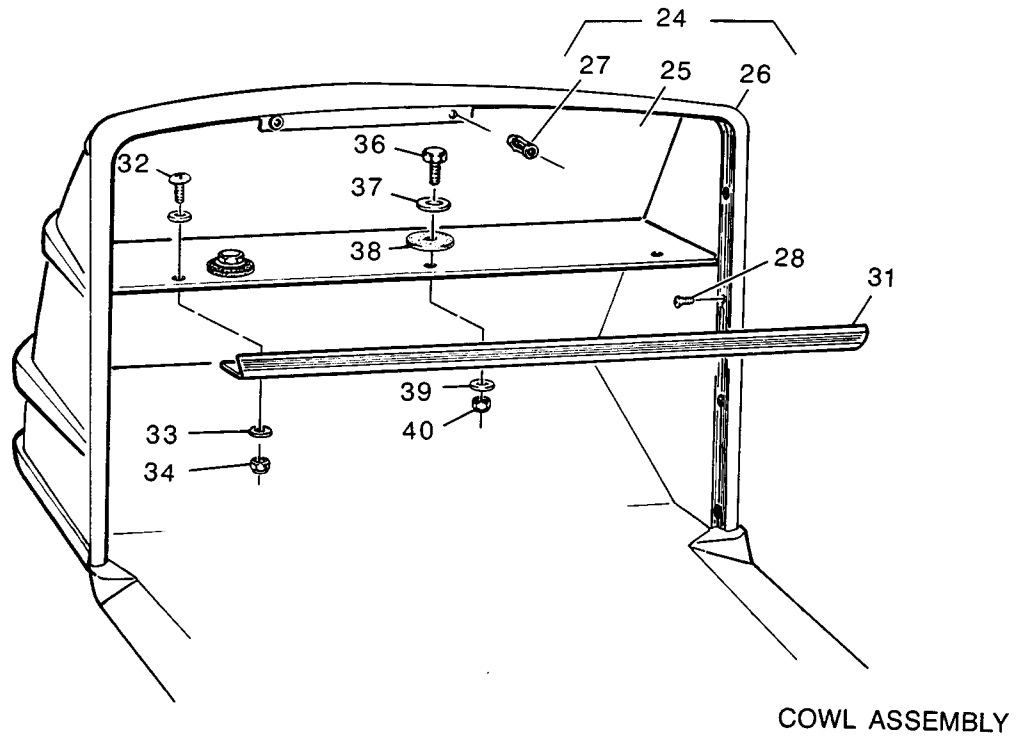




COWL ASSEMBLY  
ATTACHMENT

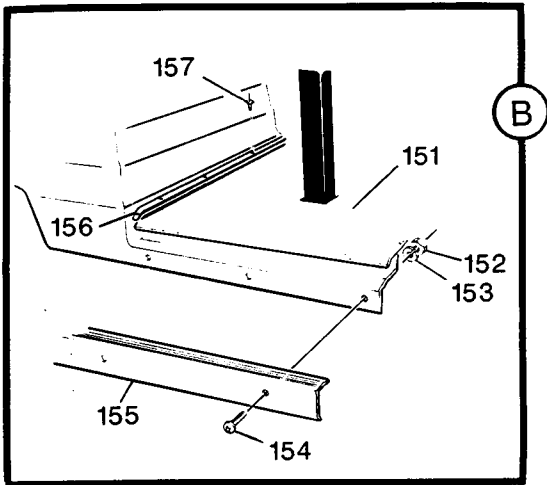


BUMPER ATTACHMENT

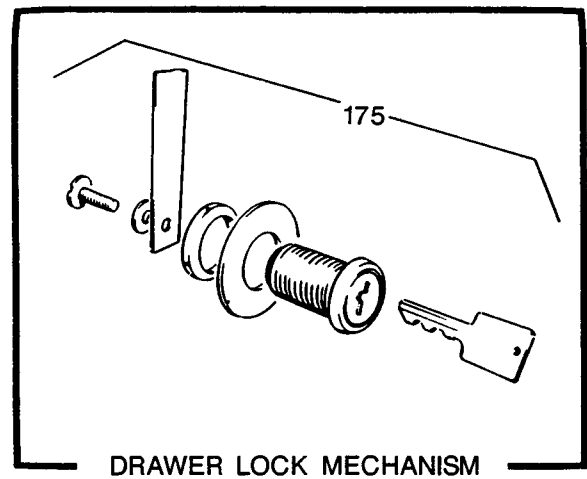
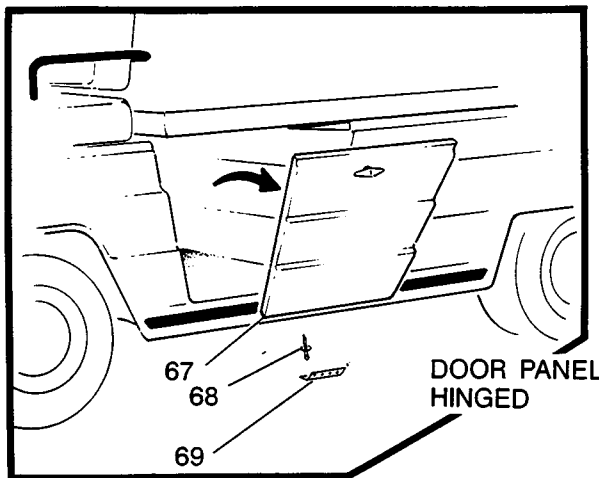
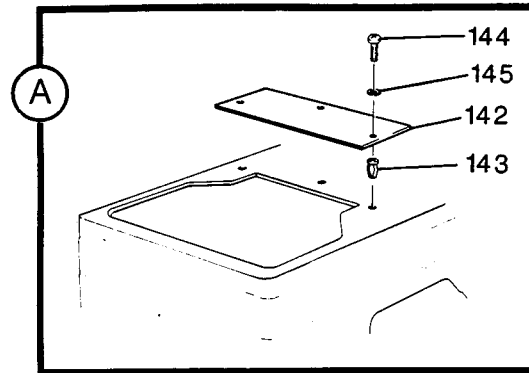




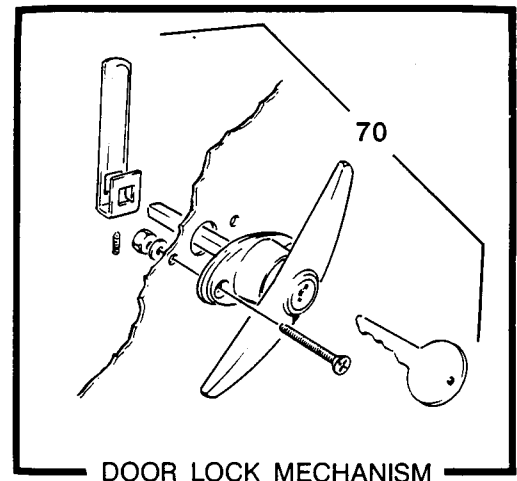
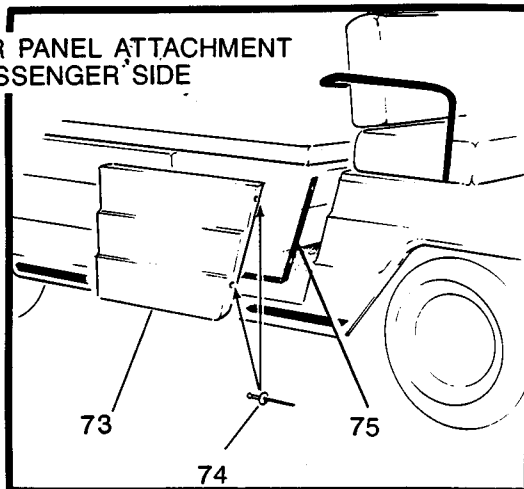
REAR FLOORMAT ATTACHMENT

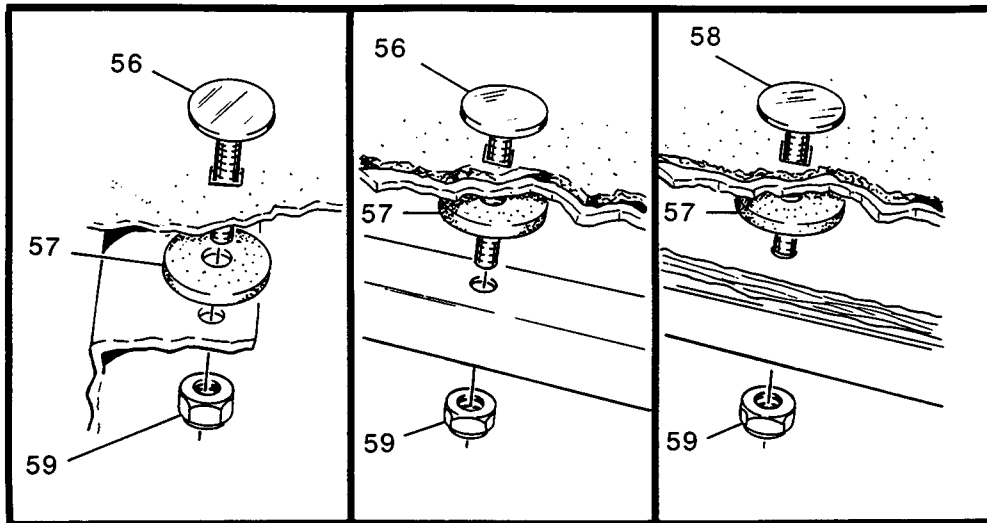
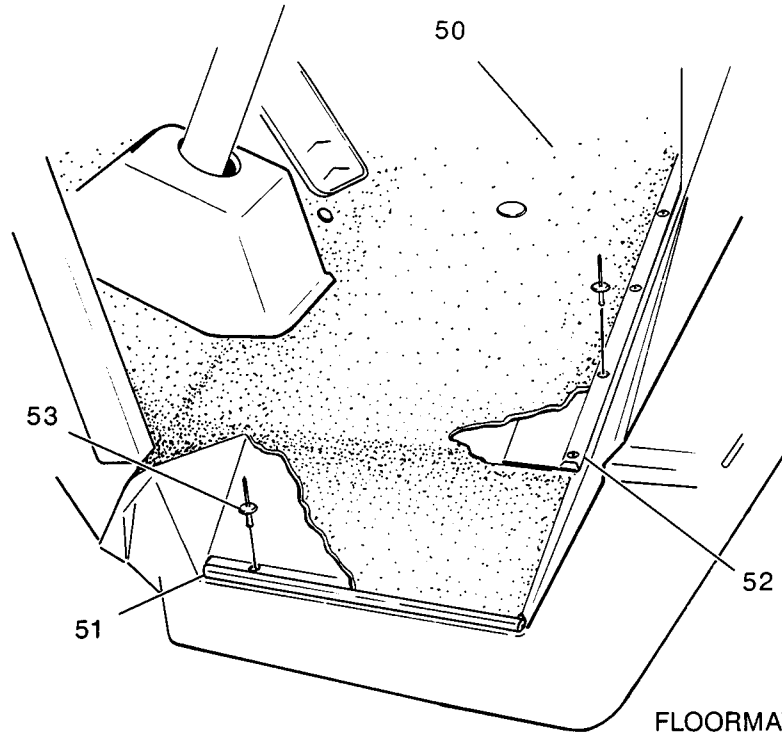


HEAT SHIELD ATTACHMENT

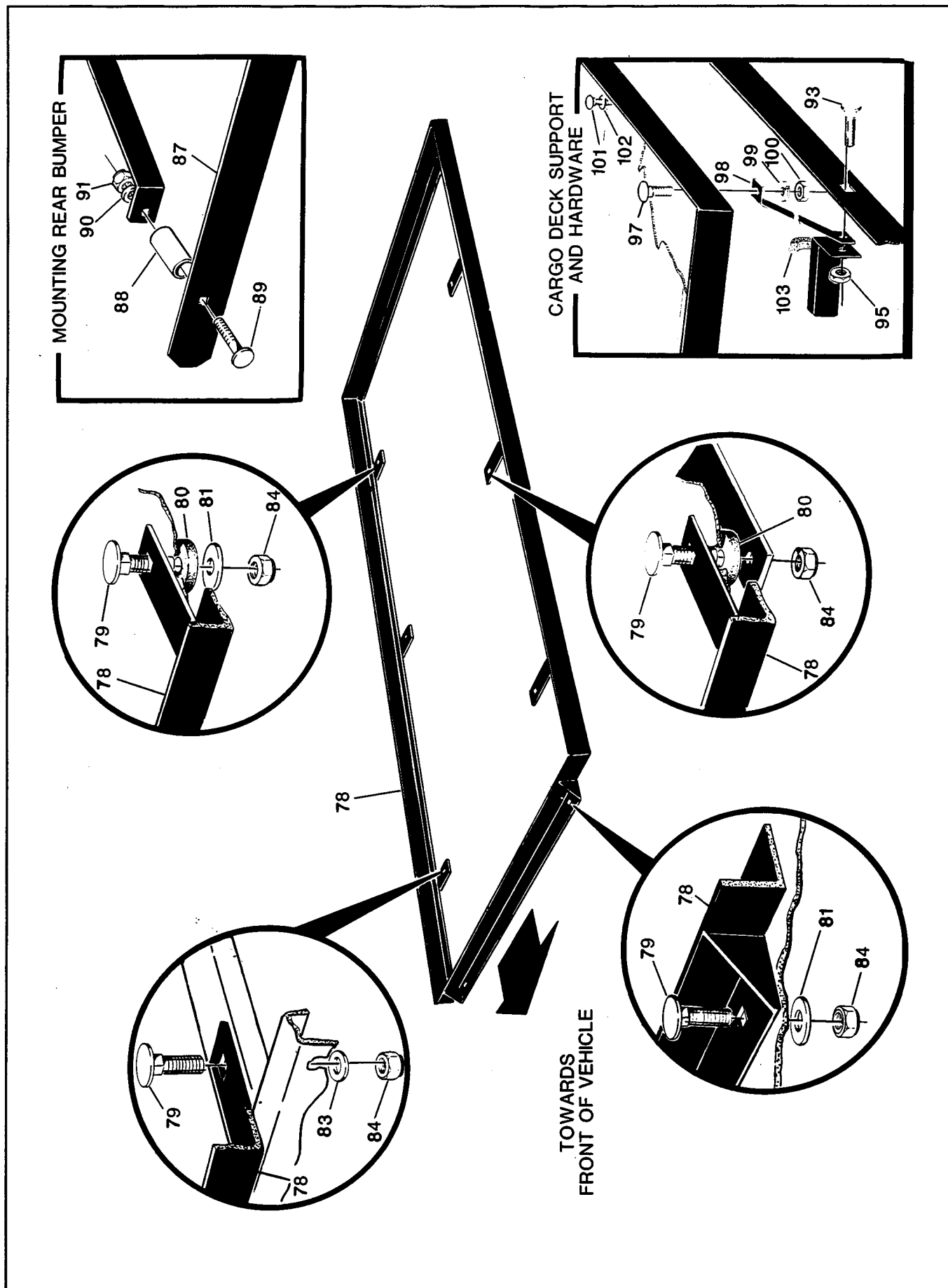


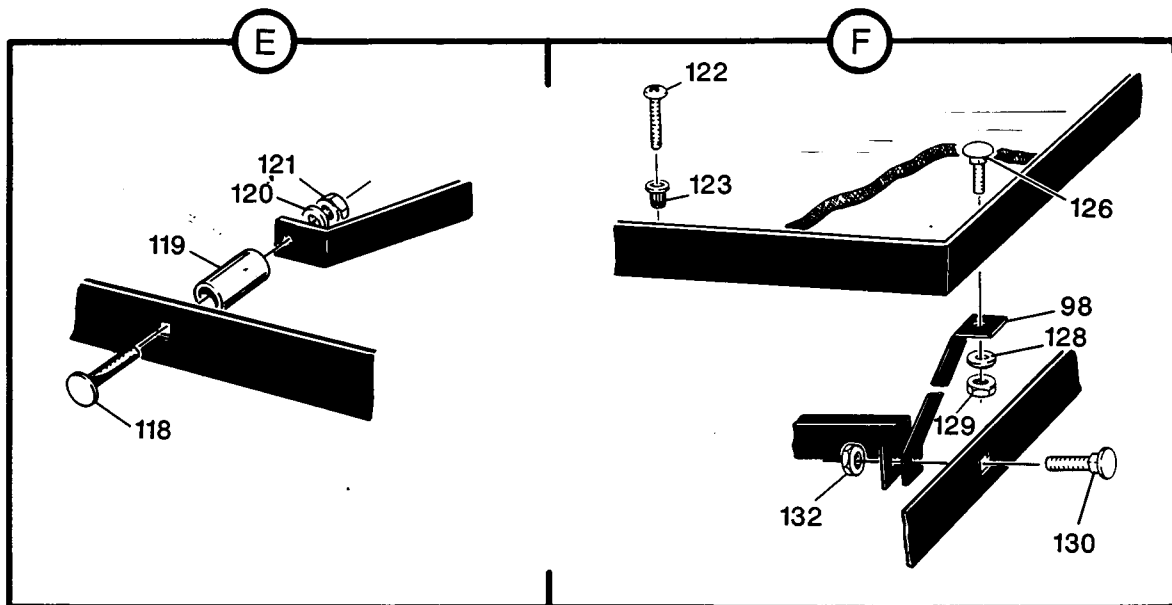
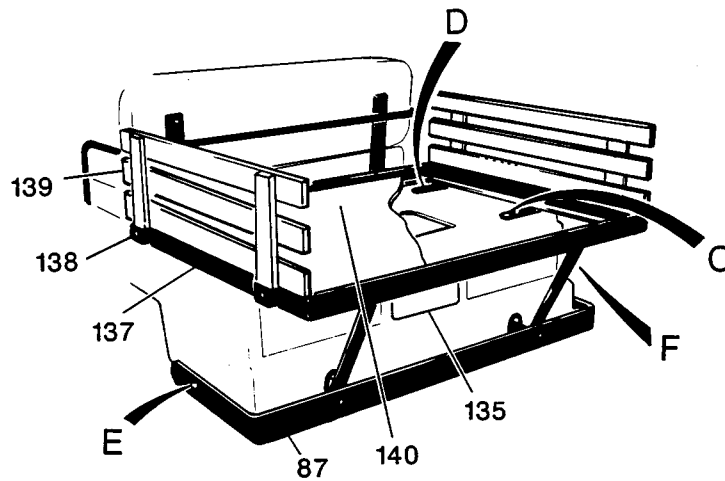
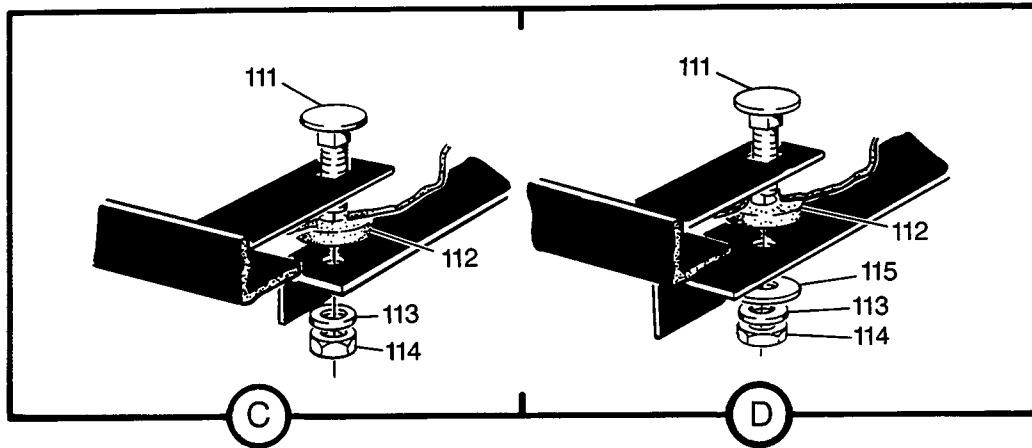
DOOR PANEL ATTACHMENT PASSENGER SIDE

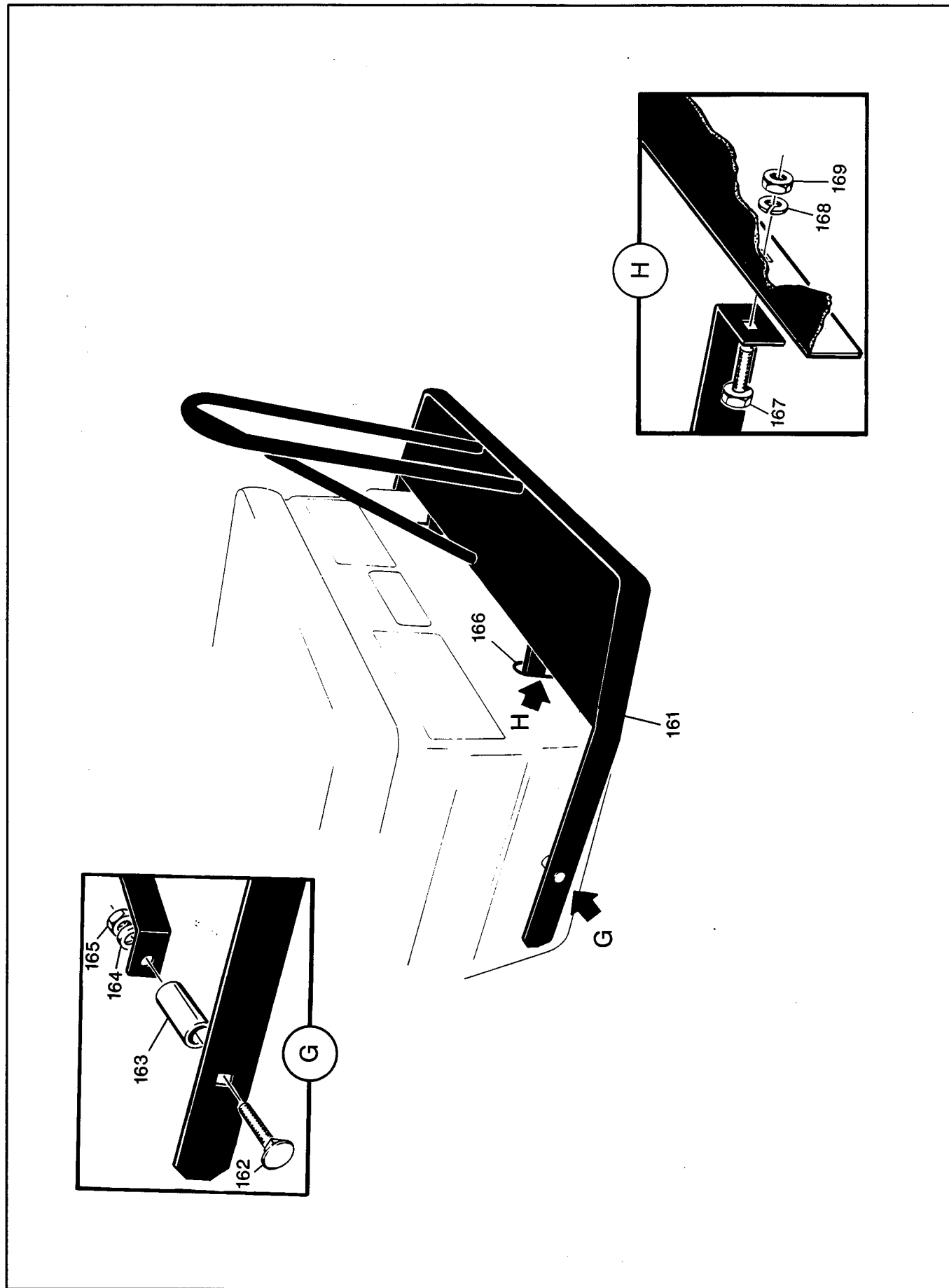


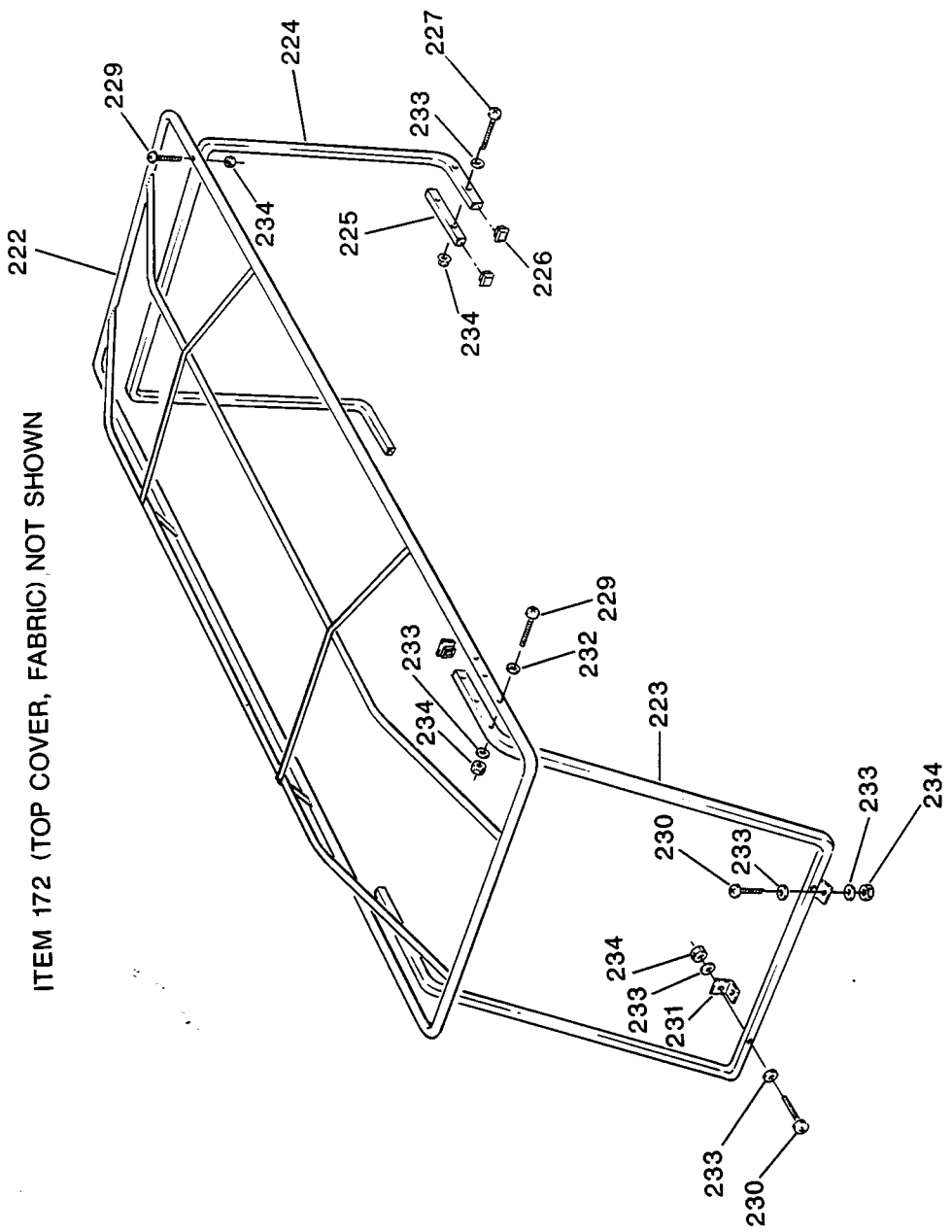


BODY ATTACHMENT COMPONENTS

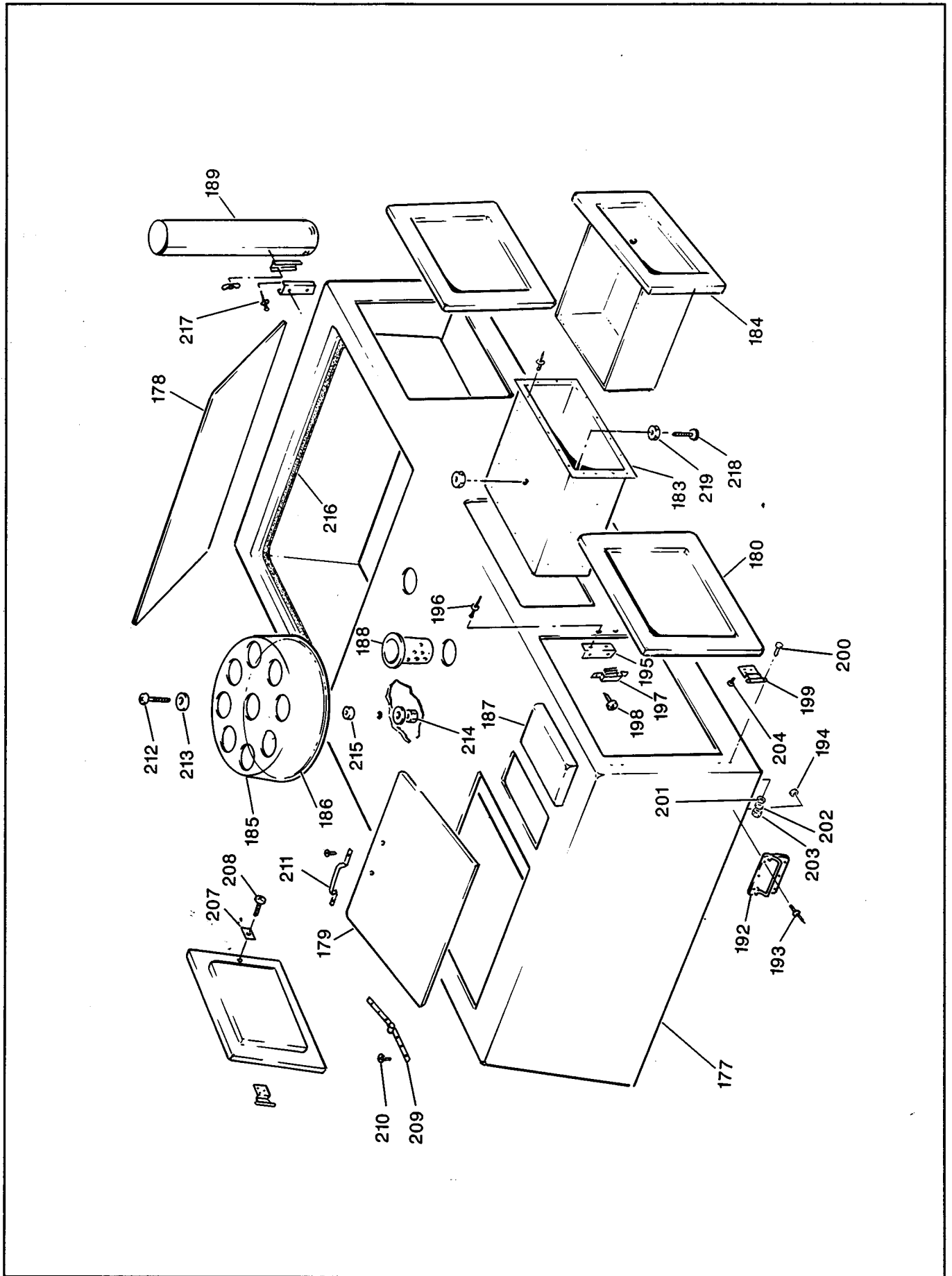


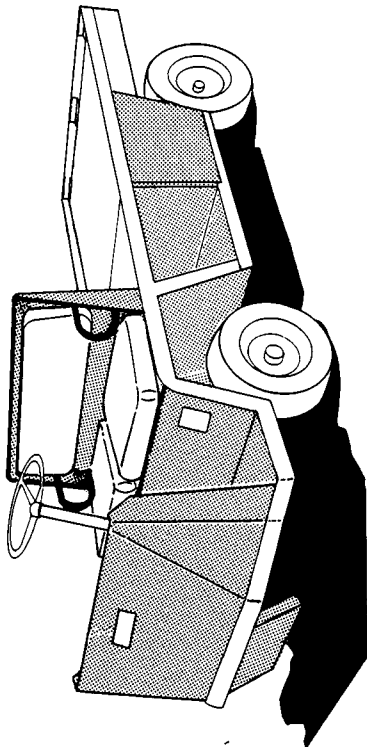




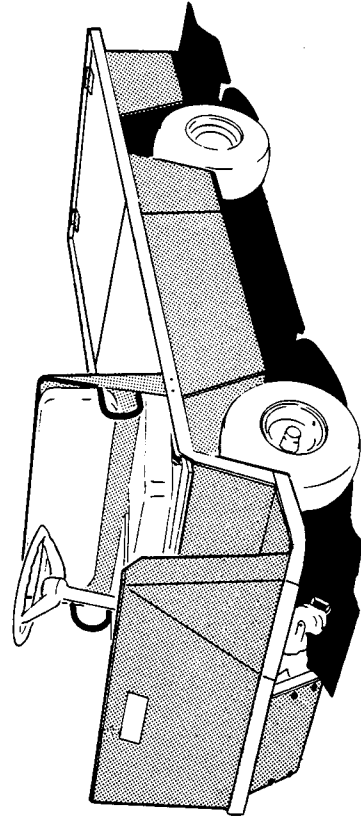


ITEM 172 (TOP COVER, FABRIC) NOT SHOWN

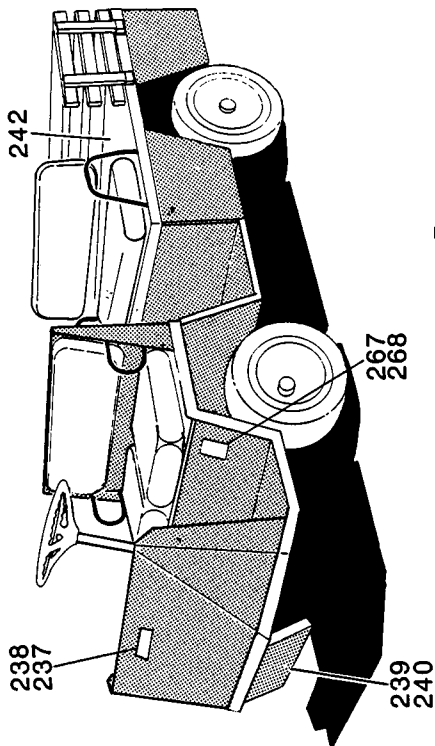




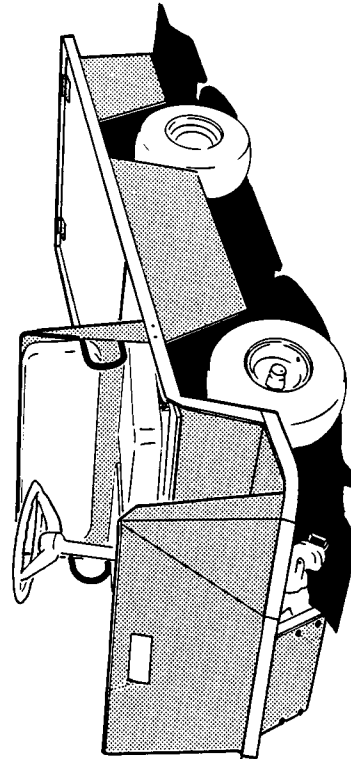
XI-775



XI-881

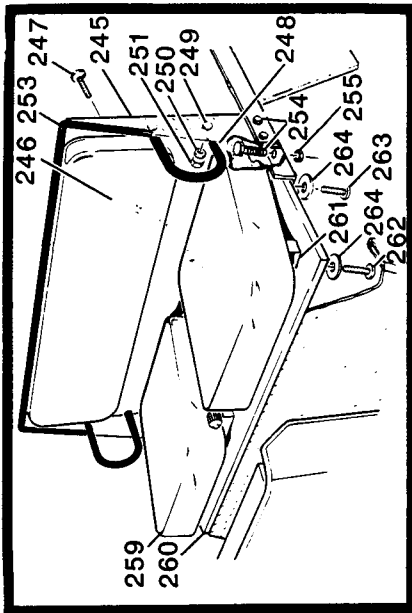
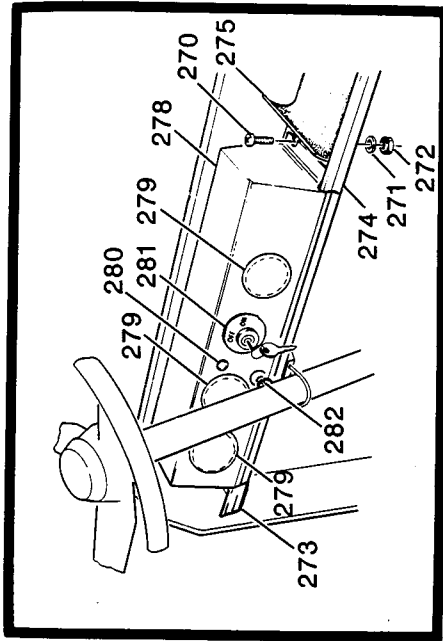


XI-875P

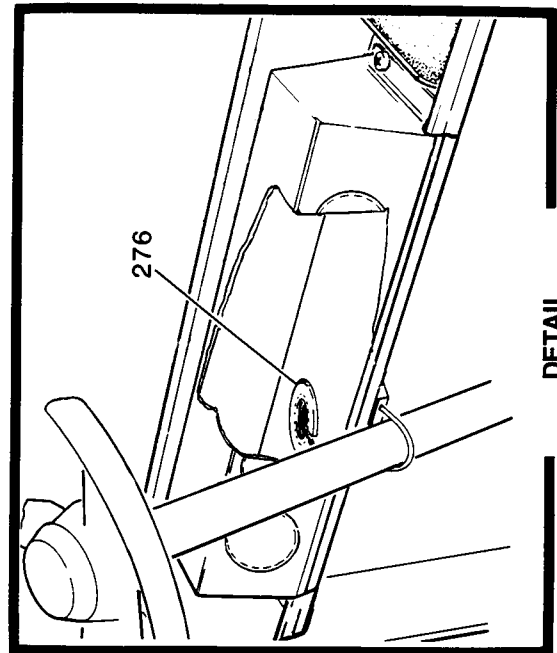


XI-875





244 - INCLUDES ITEMS 245 - 251  
 258 - INCLUDES ITEMS 259 - 264



DETAIL

# MODEL DETAILS

THE USE OF NON U.L. PARTS WILL VOID ANY U.L. LISTING.

When ordering parts, please specify the model and serial number of the product.

\* Indicates a component that is not available as an individual part.

MODEL		
775	952	956
875/F	954	957
881	955	960

ITEM	PART NO.	1	2	3	4	5	DESCRIPTION	QTY		
1	00724-G3						BOLT, ELEVATOR, 5/16 - 18 X 1 1/2 LG. ....	-	6	6
2	00723-G1						WASHER, FENDER, STAINLESS STEEL, 5/16 ....	-	6	6
3										
4	00660-G8						WASHER, FLAT, STAINLESS STEEL, 5/16 ....	-	6	6
5	00654-G3						NUT, LOCK, STAINLESS STEEL 5/16 - 18 ....	-	6	6
6										
7										
8	30059-G1						BUMPER, FRONT ....	-	1	1
9	30049-G1						STANDOFF, BUMPER ....	-	2	2
10	00725-G2						BOLT, CARRIAGE, STAINLESS STEEL, 3/8 - 16 X 3 1/2 LG. ....	-	4	4
11	00653-G1						WASHER, 3/8 ....	-	4	4
12	00654-G5						NUT, LOCK, STAINLESS STEEL, 3/8 - 16 ....	-	4	4
13										
14										
15	30060-G2						BUMPER, SIDE, DRIVER'S SIDE ....	-	1	1
16	30060-G1						BUMPER, SIDE, PASSENGER'S SIDE ....	-	1	1
17	00725-G1						BOLT, CARRIAGE, 3/8 - 16 X 1 LG. ....	-	2	2
18										
19	00654-G5						NUT, LOCK, 3/8 - 16 ....	-	2	2
20										
21										
22	19817-G1						NAMEPLATE, E-Z-GO ....	-	1	1
23	12064-G3						PUSHNUT, 5/16 ....	-	3	3
24	30502-G*						COWL ASSEMBLY (INCLUDES ITEMS 25 - 40) ....	-	1	1
25	30041-G*						COWL, FIBERGLASS ....	-	1	1
26	31551-G1						COWL SUPPORT WELDMENT ....	-	1	1
27	30054-G1						NUT, MOLLY JACK, 1/4 - 20 ....	-	2	2
28	00726-G4						SCREW, SELF TAPPING, #6 X 1/2 LG. ....	-	10	10
29										
30										
31	30055-G1						DASH TRIM, EXTRUSION ....	-	1	1
32	16705-G5						SCREW, STAINLESS STEEL, 1/4 - 20 X 1 1/2 LG. ....	-	2	2
33	00660-G7						WASHER, 1/4 ....	-	4	4
34	14390-G4						NUT, LOCK, 1/4 - 20 ....	-	2	2

# MODEL DETAILS

THE USE OF NON U.L. PARTS WILL VOID ANY U.L. LISTING.

When ordering parts, please specify the model and serial number of the product.

\* Indicates a component that is not available as an individual part.

MODEL		
775	952	956
875/P	954	957
881	955	960

ITEM	PART NO.	1	2	3	4	5	DESCRIPTION	QTY		
35										
36	11241-G6						BOLT, 1/4 - 20 X 1 3/4 LG. ....	-	2	2
37	00559-G7						WASHER, 1/4 .....	-	2	2
38	30036-G1						WASHER, RUBBER .....	-	2	2
39	00559-G7						WASHER, 1/4 .....	-	2	2
40	14390-G4						NUT, LOCK, 1/4 - 20 .....	-	2	2
41										
42										
43	30074-G1						PANEL, INSTRUMENT .....	-	1	1
44	30072-G1						ASHTRAY ASSEMBLY .....	-	1	1
45	10570-G1						RIVET, POP .....	-	2	2
46	00723-G1						WASHER, PULLUP .....	-	2	2
47	16705-G1						SCREW, STAINLESS STEEL, 1/4 - 20 X 1 LG. ....	-	2	2
48										
49										
50	30064-G1						FLOORMAT, RUBBER, BLACK, 26 X 46 .....	-	1	1
51	30068-G1						RETAINER, FLOORMAT, 7 3/4 LG. ....	-	2	2
52	30067-G1						RETAINER, FLOORMAT, REAR, 38 1/2 LG. ....	-	1	1
53	10570-G1						RIVET, POP .....	-	8	8
54										
55										
56	00724-G3						BOLT, ELEVATOR, STAINLESS STEEL, 5/16 - 18 X 1 1/2 LG. ....	-	AR	AR
57	30036-G1						WASHER, RUBBER .....	-	AR	AR
58	00724-G7						BOLT, ELEVATOR, STAINLESS STEEL, 5/16 - 18 X 2 1/2 LG. ....	-	AR	AR
59	00654-G3						NUT, LOCK, STAINLESS STEEL, 5/16 - 18 .....	-	AR	AR
60										
61	30040-G*						BODY, FIBERGLASS - 952, 954, 956, 960 .....	-	1	1
62	30061-G1						SHIELD, LOWER .....	-	1	1
63	00729-G6						SCREW, SELF TAPPING, 5/16 - 24 X 3/4 LG. ....	-	2	2
64	30078-G1						TRIM, SIDE, 32 3/4 LG. ....	-	2	2
65										
66										
67	30320-G*						DOOR, PANEL, HINGED, DRIVER'S SIDE (ITEMS 67 - 103 ARE FOR 952 AND 960 MODELS ONLY) .....	-	1	1
68	10570-G1						RIVET, POP .....	-	8	8

# MODEL DETAILS

THE USE OF NON U.L. PARTS WILL VOID ANY U.L. LISTING.

When ordering parts, please specify the model and serial number of the product.

\* Indicates a component that is not available as an individual part.

MODEL		
775	952	956
875/F	954	957
881	955	960

ITEM	PART NO.	1	2	3	4	5	DESCRIPTION	QTY		
69	30501-G1						HINGE, DOOR .....	-	2	2
70	30589-G1						DOOR LOCK ASSEMBLY .....	-	1	1
71										
72										
73	30311-G*						DOOR, PANEL, PASSENGER'S SIDE .....	-	1	1
74	14601-G1						RIVET, POP .....	-	4	4
75	22524-G1						TAPE, FOAM .....	-	1	1
76										
77										
78	30141-G1						FRAME ASSEMBLY, DECK .....	-	1	1
79	00764-G1						BOLT, 5/16 - 18 X 1 LG. ....	-	8	8
80	30036-G1						WASHER, RUBBER .....	-	4	4
81	00723-G1						WASHER, FENDER, 5/16 .....	-	4	4
82										
83	00660-G8						WASHER, 5/16 .....	-	2	2
84	00654-G3						NUT, LOCK, 5/16 - 18 .....	-	8	8
85										
86										
87	30126-G1						BUMPER, REAR .....	-	1	1
88	30049-G1						STANDOFF, BUMPER .....	-	2	2
89	00725-G2						BOLT, CARRIAGE, 3/8 - 16 X 3 1/2 LG. ....	-	2	2
90	00653-G1						WASHER, 3/8 .....	-	2	2
91	00654-G5						NUT, LOCK, 3/8 - 16 .....	-	2	2
92										
93	00725-G1						BOLT, CARRIAGE, 3/8 - 16 X 1 LG. ....	-	2	2
94										
95	00654-G5						NUT, LOCK, 3/8 - 16 .....	-	2	2
96										
97	00725-G2						BOLT, CARRIAGE, 3/8 - 16 X 3 1/2 LG. ....	-	2	2
98	30205-G1						BRACE, DECK FRAME .....	-	2	2
99	00595-G1						WASHER, LOCK, 3/8 .....	-	2	2
100	00532-G5						NUT, 3/8 - 16 .....	-	2	2
101	16705-G5						SCREW, 1/4 - 20 X 1 1/2 LG. ....	-	2	2
102	00559-G8						WASHER, 5/16 .....	-	2	2

# MODEL DETAILS

THE USE OF NON U.L. PARTS WILL VOID ANY U.L. LISTING.

When ordering parts, please specify the model and serial number of the product.

\* Indicates a component that is not available as an individual part.

MODEL		
775	952	956
875/P	954	957
881	955	960

ITEM	PART NO.	1	2	3	4	5	DESCRIPTION	QTY		
103	22790-G1						TRIM, EDGE, 7 1/2 LG. ....	-	2	2
104										
105										
106	30073-G1						RIVET, POP (ITEMS 106 - 108 ARE FOR THE 954 MODEL ONLY) .	-	12	-
107	30067-G2						RETAINER, FLOORMAT, 44 3/4 LG. ....	-	1	-
108	30584-G1						FLOORMAT, RUBBER, 15 1/2 X 45 ....	-	1	-
109										
110										
111	00764-G1						BOLT, CARRIAGE, 5/16 - 18 X 1 LG. (ITEMS 111 - 140 ARE FOR 954 AND 955 MODELS ONLY) ....	-	4	-
112	30036-G1						WASHER, RUBBER ....	-	4	-
113	00660-G8						WASHER, FLAT, STAINLESS STEEL, 5/8 ....	-	4	-
114	00654-G3						NUT, LOCK, STAINLESS STEEL, 5/16 - 18 ....	-	4	-
115	00723-G1						WASHER, FENDER, STAINLESS STEEL, 5/16 ....	-	2	-
116										
117										
118	00725-G2						BOLT, CARRIAGE, STAINLESS STEEL, 3/8 - 16 X 3 1/2 LG. ....	-	2	-
119	30049-G1						STANDOFF, BUMPER ....	-	2	-
120	00653-G1						WASHER, FLAT, STAINLESS STEEL, 3/8 ....	-	2	-
121	00654-G5						NUT, LOCK, STAINLESS STEEL, 3/8 - 16 ....	-	2	-
122	00753-G3						SCREW, 1/4 - 20 X 1 1/2 LG. ....	-	2	-
123	30054-G1						NUT, MOLLY JACK, 1/4 - 20 ....	-	2	-
124										
125										
126	00725-G2						BOLT, CARRIAGE, STAINLESS STEEL, 3/8 - 16 X 3 1/2 LG. ....	-	2	-
127										
128	00653-G1						WASHER, FLAT, STAINLESS STEEL, 3/8 ....	-	2	-
129	00654-G5						NUT, LOCK, STAINLESS STEEL, 3/8 - 16 ....	-	2	-
130	00725-G2						BOLT, CARRIAGE, STAINLESS STEEL, 3/8 - 16 X 1 LG. ....	-	2	-
131										
132	00654-G5						NUT, LOCK, STAINLESS STEEL, 3/8 - 16 ....	-	2	-
133										
134										
135	19817-G1						NAMEPLATE, E-Z-GO ....	-	1	-
136										

# MODEL DETAILS

THE USE OF NON U.L. PARTS WILL VOID ANY U.L. LISTING.

When ordering parts, please specify the model and serial number of the product.

\* Indicates a component that is not available as an individual part.

MODEL		
775	952	956
875/F	954	957
881	955	960

ITEM	PART NO.	1	2	3	4	5	DESCRIPTION	QTY		
137	30142-G1						FRAME ASSEMBLY, DECK (ITEMS 137 - 140 ARE FOR USE ON 954 AND 955 MODELS ONLY)	-	1	-
138	00372-G8						SCREW	-	4	-
139	31193-G1						SIDES, WOODEN STAKE	-	2	-
140	30226-G1						DECK, CARGO	-	1	-
141										
142	33127-G1						SHIELD, HEAT (ITEMS 142 - 145 ARE FOR USE ON 954, 955, 956 AND 957 MODELS ONLY)	-	1	1
143	30054-G1						NUT, MOLLY JACK, 1/4 - 20	-	3	3
144	16705-G1						SCREW, STAINLESS STEEL, 1/4 - 20 X 1 LG.	-	3	3
145	00644-G7						WASHER, LOCK, STAINLESS STEEL, 1/4	-	3	3
146										
147	30071-G2						BODY, FIBERGLASS (ITEMS 147 - 157 ARE FOR USE ON 957 MODEL ONLY)	-	-	1
148										
149										
150										
151	32290-G1						FLOORMAT, RUBBER, BLACK, 42 X 45 1/2 (ITEMS 151 - 157 ARE FOR USE ON 955 AND 957 MODELS ONLY)	-	1	1
152	00891-G2						NUT, LOCK, PLASTIC INSERT, 1/4 - 20	-	6	6
153	00642-G7						WASHER, FLAT, 1/4	-	6	6
154	16705-G1						SCREW, 1/4 - 20 X 1 LG.	-	2	2
155	32422-G1						TRIM, SIDE, 41 1/4 LG.	-	2	2
156	30067-G2						RETAINER, FLOORMAT, REAR, 44 3/4 LG.	-	2	2
157	10570-G1						RIVET, POP	-	8	8
158										
159										
160	30064-G1						FLOORMAT, REAR, 15 1/2 X 45 (THIS ITEM FOR USE ON 952, 954, 955, 956, 957 AND 960 MODELS)	-	1	1
161	30042-G1						STEP PLATE AND RAIL (ITEMS 161 - 169 FOR USE ON 956 AND 957 MODELS ONLY)	-	-	2
162	00725-G2						CARRIAGE BOLT, STAINLESS STEEL, 3/8 - 16 X 3 1/2 LG.	-	-	2
163	30049-G1						STANDOFF, BUMPER	-	-	2
164	00653-G1						WASHER, FLAT, STAINLESS STEEL, 3/8	-	-	2
165	00654-G1						NUT, LOCK, STAINLESS STEEL, 3/8 - 16	-	-	2
166	22790-G1						TRIM, EDGE, 7 1/2 LG.	-	-	2

# MODEL DETAILS

THE USE OF NON U.L. PARTS WILL VOID ANY U.L. LISTING.

When ordering parts, please specify the model and serial number of the product.

\* Indicates a component that is not available as an individual part.

MODEL		
775	952	956
875/F	954	957
881	955	960

ITEM	PART NO.	1	2	3	4	5	DESCRIPTION	QTY		
167	00777-G8						SCREW, STAINLESS STEEL, 7/16 - 14 X 1 LG. ....	-	-	2
168	00670-G2						WASHER, LOCK, STAINLESS STEEL, 7/16 ....	-	-	2
169	00656-G7						NUT, STAINLESS STEEL, 7/16 - 14 ....	-	-	2
170										
171										
172	30627-G1						TOP COVER, FABRIC (ITEMS 172 AND 173 FOR USE ON 960 MODEL ONLY) ....	-	-	1
173	31760-G1						HUB CAP, CHROME ....	-	-	4
174										
175	30611-G1						LOCK ASSEMBLY, DRAWER (FOR USE ON 952 AND 960 MODELS ONLY) ....	-	1	1
176	30591-G1						BAR ASSEMBLY, COMPLETE (FOR USE ON 960 MODEL ONLY) INCLUDES ITEMS 177 - 219 ....	-	-	1
177	30592-G*						BAR TOP, FIBERGLASS ....	-	-	1
178	30594-G1						LID, CHEST ....	-	-	1
179	30598-G1						LID, ICE CHEST ....	-	-	1
180	30613-G1						DOOR, SIDE ....	-	-	2
181										
182										
183	30608-G1						DRAWER, SIDE ....	-	-	1
184	30610-G1						DRAWER, FRONT ....	-	-	1
185	30599-G1						LAZY SUSAN ....	-	-	1
186	30064-G1						MAT, RUBBER, 19 DIAMETER ....	-	-	1
187	30603-G1						BOARD, CUTTING ....	-	-	1
188	30602-G1						HOLDER, SILVERWARE ....	-	-	1
189	30604-G1						CUP DISPENSER ASSEMBLY ....	-	-	1
190										
191										
192	31607-G1						HANDLE, LIFT ....	-	-	4
193	30403-G2						RIVET, POP ....	-	-	16
194	00559-G7						WASHER, PULLUP ....	-	-	16
195	30605-G1						BRACKET, DOOR CATCH MOUNTING ....	-	-	2
196	15058-G1						RIVET, POP ....	-	-	4
197	30606-G1						CATCH, MAGNETIC ....	-	-	2
198	*						SCREW, MAGNETIC CATCH MOUNTING ....	-	-	4

# MODEL DETAILS

THE USE OF NON U.L. PARTS WILL VOID ANY U.L. LISTING.

When ordering parts, please specify the model and serial number of the product.

\* Indicates a component that is not available as an individual part.

MODEL		
775	952	956
875/F	954	957
881	955	960

ITEM	PART NO.	1	2	3	4	5	DESCRIPTION	QTY		
199	31490-G1						HINGE, CHROME .....	-	-	4
200	00138-G6						SCREW, #6 - 32 X 3/4 LG. ....	-	-	8
201	00559-G3						WASHER, FLAT, #6 .....	-	-	8
202	00565-G3						WASHER, LOCK, #6 .....	-	-	8
203	00525-G5						NUT, #6 -32 .....	-	-	8
204	*						SCREW .....	-	-	8
205										
206										
207	*						PLATE, MAGNETIC CATCH .....	-	-	1
208	*						SCREW .....	-	-	1
209	30596-G1						HINGE, LID .....	-	-	2
210	00738-G6						SCREW, #6 - 32 .....	-	-	8
211	31491-G1						HANDLE, LID .....	-	-	1
212	00710-G4						SCREW, 1/4 - 20 X 1/2 LG. ....	-	-	1
213	00819-G3						WASHER, FLAT, 1/4 I.D., 1 1/4 O.D. ....	-	-	2
214	14390-G4						NUT, LOCK, 1/4 - 20 .....	-	-	1
215	32416-G1						BUMPER, RUBBER .....	-	-	1
216	30601-G1						TRIM EDGE, BLACK, 25 FEET LG. ....	-	-	1
217	30073-G1						RIVET, POP .....	-	-	2
218	00138-G8						SCREW, #8 - 32 X 1 LG. ....	-	-	2
219	00526-G1						NUT, #8-32 .....	-	-	2
220										
221										
222	30572-G1						FRAME, CANOPY (ITEMS 222 - 234 FOR USE ON 960 MODEL ONLY) .....	-	-	1
223	30628-G1						SUPPORT, FRONT .....	-	-	1
224	30629-G1						SUPPORT, REAR .....	-	-	1
225	30625-G1						SPACER, FRAME .....	-	-	2
226	31395-G1						CAP, TUBE .....	-	-	6
227	00779-G5						SCREW, 1/4 - 20 X 2 1/2 LG. ....	-	-	4
228										
229	16705-G8						SCREW, 1/4 - 20 X 2 LG. ....	-	-	8
230	16705-G5						SCREW, 1/4 - 20 X 1 1/2 LG. ....	-	-	4
231	30630-G1						BRACKET, CANOPY MOUNTING .....	-	-	2
232	00727-G1						WASHER, FLAT, FENDER .....	-	-	20



# MODEL DETAILS

THE USE OF NON U.L. PARTS WILL VOID ANY U.L. LISTING.

When ordering parts, please specify the model and serial number of the product.

\* Indicates a component that is not available as an individual part.

MODEL		
775	952	956
875/P	954	957
881	955	960

ITEM	PART NO.	1	2	3	4	5	DESCRIPTION	QTY		
233	00559-G7						WASHER, FLAT, 1/4 .....	-	-	18
234	14390-G4						NUT, LOCK, STAINLESS STEEL, 1/4 - 20 .....	-	-	10
235										
236										
237	19817-G1						NAMEPLATE, E-Z-GO .....	1	-	-
238	12064-G3						NUT, PUSH, 3/16 .....	3	-	-
239	30061-G1						SHIELD, LOWER .....	1	-	-
240	00729-G6						SCREW, SELF TAPPING, STAINLESS STEEL, 5/16 - 24 X 3/4 LG. ....	4	-	-
241										
242	XXXX-XX						DECK, HINGED LOAD (SEE SEPARATE ILLUSTRATION) .....	1	-	-
243	33012-G3						BACK REST ASSEMBLY .....	1	-	-
244	33065-G1						SEAT BACK ASSEMBLY (INCLUDES ITEMS 245 - 251) .....	1	-	-
245	30691-G1						SUPPORT, SEAT .....	1	-	-
246	30716-G1						BACK, SEAT .....	1	-	-
247	16705-G3						SCREW, STAINLESS STEEL, 1/4 - 20 X 3/4 LG. ....	4	-	-
248	30708-G1						HANDLE .....	2	-	-
249	00722-G2						BOLT, CARRIAGE, STAINLESS STEEL, 1/4 - 20 X 1 LG. ....	4	-	-
250	00660-G6						WASHER, STAINLESS STEEL, 5/16 .....	4	-	-
251	00654-G3						NUT, LOCK, STAINLESS STEEL, 5/16 - 18 .....	4	-	-
252										
253	22281-G6						TRIM, SEAT SUPPORT, 76 5/8" LG. ....	1	-	-
254	16705-G5						SCREW, STAINLESS STEEL, 1/4 - 20 X 3/4 LG. ....	12	-	-
255	00891-G2						NUT, 1/4 - 20 .....	12	-	-
256										
257										
258	33052-G1						FRONT SEAT ASSEMBLY (INCLUDES ITEMS 259 - 264) .....	1	-	-
259	30715-G1						DECK, SEAT .....	1	-	-
260	33014-G1						BOTTOM, SEAT .....	2	-	-
261	30680-G1						SPACER .....	2	-	-
262	00774-G1						SCREW, STAINLESS STEEL, 1/4 - 20 X 3 LG. ....	4	-	-
263	16705-G8						SCREW, STAINLESS STEEL, 1/4 - 20 X 2 LG. ....	4	-	-
264	16469-G1						WASHER, FENDER .....	8	-	-
265										
266										

# MODEL DETAILS

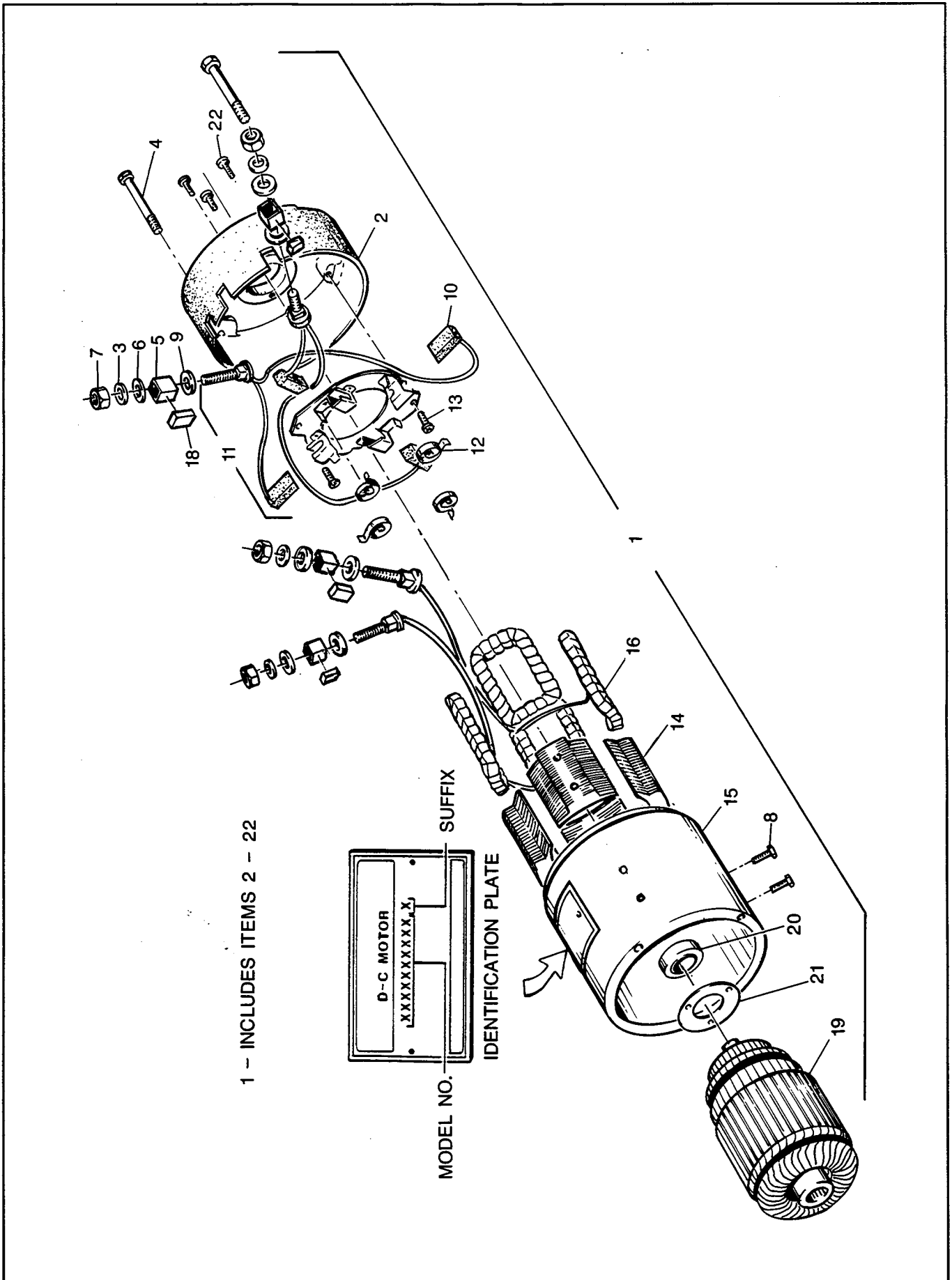
THE USE OF NON U.L. PARTS WILL VOID ANY U.L. LISTING.

When ordering parts, please specify the model and serial number of the product.

\* Indicates a component that is not available as an individual part.

MODEL		
775	952	956
875/F	954	957
881	955	960

ITEM	PART NO.	1	2	3	4	5	DESCRIPTION	QTY		
267	10570-G9						RIVET, ALUMINUM, 1/8 X 11/32 .....	4	-	-
268	*						LABEL, IDENTIFICATION .....	1	-	-
269										
270	00378-G4						SCREW, #10 - 24 X 1/2 LG. ....	4	-	-
271	00565-G5						WASHER, LOCK, #10 .....	4	-	-
272	00526-G3						NUT, #10 - 24 .....	4	-	-
273	22281-G9						TRIM, DASH (2 1/4 LG.) .....	1	-	-
274	22281-G7						TRIM, DASH (2 1/2 LG.) .....	1	-	-
275	30707-G1						MAT, DASH .....	1	-	-
276	22281-G8						TRIM, CONSOLE ^ 1/2 LG.) .....	1	-	-
277										
278	30340-G1						PANEL, INSTRUMENT .....	1	-	-
279	30392-G1						PLUG, INSTRUMENT PANEL (2 1/2) .....	3	-	-
280	20271-G1						PLUG, INSTRUMENT (3/8) .....	1	-	-
281	XXXX-XX						SWITCH, IGNITION (REFER TO ELECTRICAL SECTION FOR PART NUMBER)			
282	XXXX-XX						SWITCH, LIGHT (REFER TO ELECTRICAL SECTION FOR PART NUMBER)			



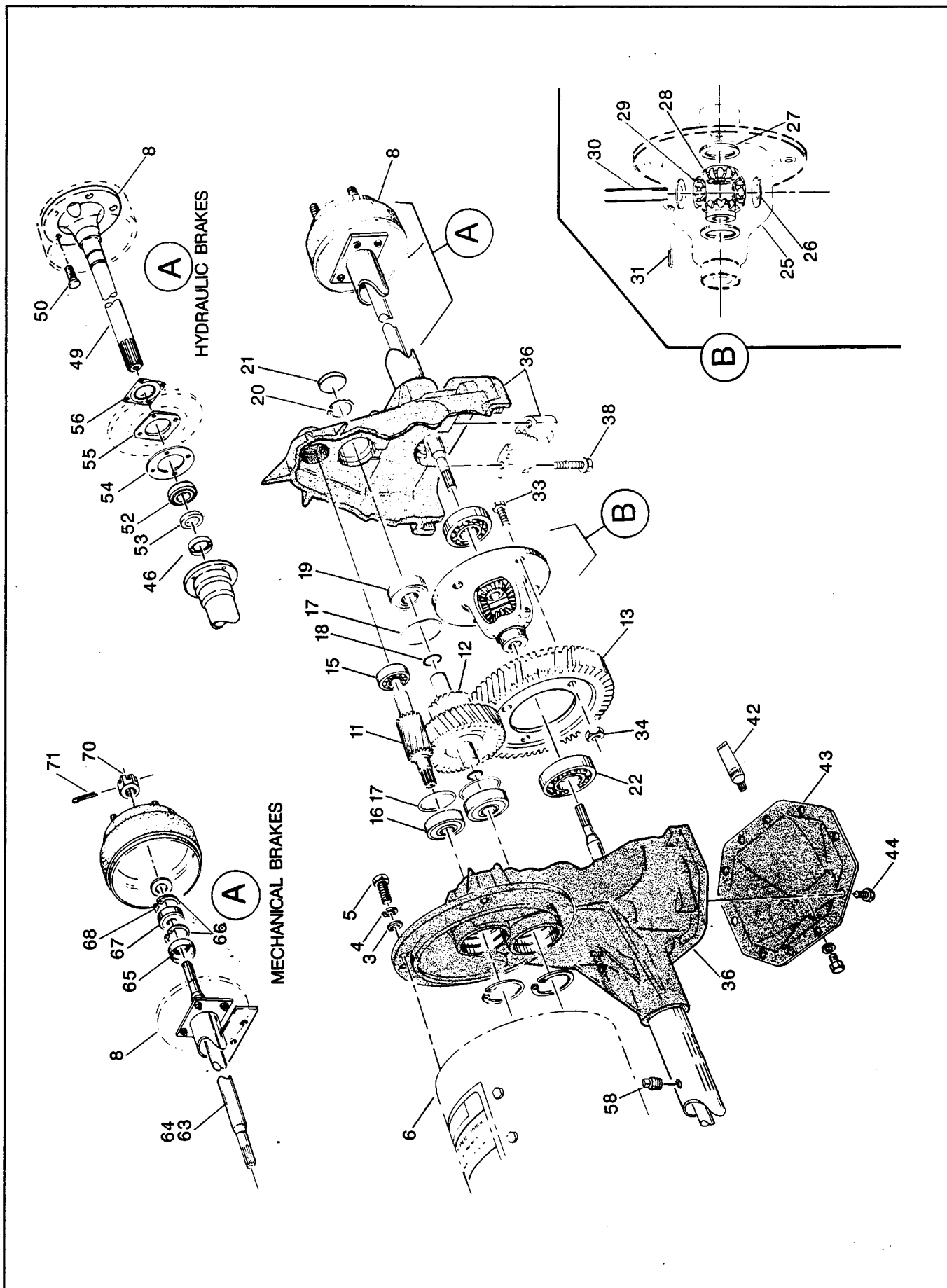
# MOTOR, 2 H.P.

THE USE OF NON U.L. PARTS WILL VOID ANY U.L. LISTING.

When ordering parts, please specify the model and serial number of the product.

\* Indicates a component that is not available as an individual part.

							MODEL	
							ALL MODELS	
ITEM	PART NO.	1	2	3	4	5	DESCRIPTION	QTY
1	22858-G1	MOTOR, 2 H.P. (INCLUDES ITEMS 2 - 22) .....						1
2	16922-G1	ENDSHIELD, COMMUTATOR .....						1
3	13483-G1	WASHER .....						4
4	16919-G1	SCREW, MOTOR CLAMP .....						2
5	15437-G1	BUSHING, INSULATOR .....						4
6	15438-G1	WASHER, INSULATOR .....						4
7	15440-G1	NUT, LOCK .....						4
8	23234-G1	SCREW, POLE PIECE .....						8
9	15442-G1	WASHER, INSULATOR, TERMINAL .....						4
10	16917-G1	BRUSH .....						2
11	16916-G1	BRUSH RIGGING .....						1
12	15446-G1	SPRING, BRUSH .....						4
13	51333-G1	SCREW, BRUSH RIGGING MOUNT .....						2
14	*	FIELD POLE PIECES .....						4
15	*	SHELL, STATOR .....						1
16	23235-G1	FIELD COILS (SET) .....						1
17								
18	16948-G1	GASKET .....						4
19	23237-G1	ARMATURE .....						1
20	16918-G1	BALL BEARING, COMMUTATOR END .....						1
21	16930-G1	RETAINER, BEARING .....						1
22	23236-G1	SCREW, BEARING RETAINER .....						3



# REAR AXLE, HYDRAULIC BRAKES

THE USE OF NON U.L. PARTS WILL VOID ANY U.L. LISTING.

When ordering parts, please specify the model and serial number of the product.

\* Indicates a component that is not available as an individual part.

MODEL		
875	955	
881	957	

ITEM	PART NO.	1	2	3	4	5	DESCRIPTION	QTY		
1										
2	25201-G32						REAR AXLE, MOTOR AND BRAKE ASSEMBLY (INCLUDES ITEMS 3 - 59, 70, 71) .....	1	1	
3	00559-G7						WASHER, 1/4 .....	3	3	
4	00565-G7						WASHER, LOCK, 1.4 .....	3	3	
5	00797-G2						SCREW, 1/4 - 20 X 1 1/4 LG. ....	3	3	
6	XXXXX-XX						MOTOR, 2 H.P. (SEE MOTOR SECTION) .....	1	1	
7	31843-G2						REAR AXLE AND BRAKE ASSEMBLY (INCLUDES ITEMS 8 - 59, 70, 71) .....	1	1	
8	XXXXX-XX						BRAKE SET .....	1	1	
9	*						REAR AXLE ASSEMBLY (INCLUDES ITEMS 10 - 59, 70, 71) .....	1	1	
10	23501-G2						GEAR SET (INCLUDES ITEMS 11 - 13) .....	1	1	
11	23503-G2						GEAR, INPUT .....	1	1	
12	23505-G2						GEAR, INTERMEDIATE .....	1	1	
13	20376-G2						GEAR, OUTPUT .....	1	1	
14										
15	23520-G1						BALL BEARING, INPUT GEAR .....	1	1	
16	23519-G1						BALL BEARING, INPUT GEAR, INTERMEDIATE .....	1	1	
17	23525-G1						SEAL, O-RING .....	3	3	
18	23526-G1						SEAL, O-RING .....	2	2	
19	23521-G1						BALL BEARING, INTERMEDIATE GEAR .....	2	2	
20	23530-G1						RETAINING RING .....	3	3	
21	23531-G1						COVER, DUST .....	1	1	
22	17473-G1						BALL BEARING, OUTPUT GEAR .....	2	2	
23										
24	18463-G1						DIFFERENTIAL ASSEMBLY (INCLUDES ITEMS 25 - 31) ...	1	1	
25	13108-G1						CASE, DIFFERENTIAL .....	1	1	
26	13106-G1						WASHER, THRUST PINION GEAR .....	2	2	
27	13104-G1						WASHER, THRUST DIFFERENTIAL GEAR .....	2	2	
28	18060-G1						GEAR, DIFFERENTIAL .....	2	2	
29	13105-G1						GEAR, PINION .....	2	2	
30	13107-G1						SHAFT, PINION GEAR .....	1	1	
31	13102-G1						PIN, LOCKING .....	1	1	
32										

# REAR AXLE, HYDRAULIC BRAKES

THE USE OF NON U.L. PARTS WILL VOID ANY U.L. LISTING.

When ordering parts, please specify the model and serial number of the product.

\* Indicates a component that is not available as an individual part.

MODEL		
875	955	
875P	957	
881		

ITEM	PART NO.	1	2	3	4	5	DESCRIPTION	QTY		
33	00433-G1						SCREW, 3/8 - 24 X 1 1/8 LG. ....	4	4	
34	00532-G6						NUT, 3/8 - 24 .....	4	4	
35										
36	*						AXLE HOUSING (INCLUDES ITEM 38) .....	1	1	
37										
38	15118-G1						SCREW, 3/8 - 16 X 2 1/8 LG. ....	4	4	
39										
40										
41										
42	20536-G1						SEALANT (ENOUGH FOR ONE APPLICATION) .....	1	1	
43	23527-G1						PLATE, COVER .....	1	1	
44	15558-G1						SCREW, 5/16 - 18 X 3/4 LG. ....	10	10	
45										
46	14585-G1						SEAL, OIL (INNER) .....	2	2	
47	23590-G1						KIT, AXLE SHAFT, DRIVER'S SIDE (INCLUDES ITEMS 49 - 53) .....	1	1	
48	23590-G2						KIT, AXLE SHAFT, PASSENGER'S SIDE (INCLUDES ITEMS 49 - 53) .....	1	1	
49	*						SHAFT, AXLE .....	1	1	
50	18396-G1						BOLT, LUG .....	5	5	
51	14586-G1						KIT, BEARING AND RETAINING (INCLUDES ITEMS 52, 53) .....	1	1	
52	13084-G1						BEARING, AXLE .....	1	1	
53	14584-G1						RETAINER, INNER .....	1	1	
54	13091-G1						GASKET .....	2	2	
55	21557-G1						RETAINER, OUTER .....	2	2	
56	21559-G1						SEAL, WIPER .....	2	2	
57	23826-G1						KIT, VENT PLUG (INCLUDES ITEMS 58, 59) .....	1	1	
58	19039-G1						PLUG, VENT .....	1	1	
59	23827-G1						BUSHING, REDUCER .....	AR	AR	
60	**						KIT, SLIDE HAMMER .....	NA	NA	
61	**						TOOL, SEAL REMOVAL .....	NA	NA	
62										
63										
64										

# REAR AXLE, HYDRAULIC BRAKES

THE USE OF NON U.L. PARTS WILL VOID ANY U.L. LISTING.

When ordering parts, please specify the model and serial number of the product.

\* Indicates a component that is not available as an individual part.

MODEL		
875	955	
881	957	

ITEM	PART NO.	1	2	3	4	5	DESCRIPTION	QTY		
								875	955	
65										
66										
67										
68										
69										
70	15483-G1						NUT, SLOTTED, 5/8 - 18 .....	2	2	
71	10387-G1						PIN, COTTER, 1/8 X 1 1/2 LG. ....	2	2	



# REAR AXLE, MECHANICAL BRAKES

THE USE OF NON U.L. PARTS WILL VOID ANY U.L. LISTING.

When ordering parts, please specify the model and serial number of the product.

\* Indicates a component that is not available as an individual part.

MODEL		
775	956	
952	960	
954		

ITEM	PART NO.	1 2 3 4 5	DESCRIPTION	QTY		
				775 952 954	956 960	
1	25201-G29		REAR AXLE, MOTOR AND BRAKE ASSEMBLY (INCLUDES ITEMS 3 - 59, 70, 71) .....	1	1	
2						
3	00559-G7		WASHER, 1/4 .....	3	3	
4	00565-G7		WASHER, LOCK, 1.4 .....	3	3	
5	00797-G2		SCREW, 1/4 - 20 X 1 1/4 LG. ....	3	3	
6	XXXXX-XX		MOTOR, 2 H.P. (SEE MOTOR SECTION) .....	1	1	
7	30927-G2		REAR AXLE AND BRAKE ASSEMBLY (INCLUDES ITEMS 8 - 59, 70, 71) .....	1	1	
8	XXXXX-XX		BRAKE SET .....	1	1	
9	*		REAR AXLE ASSEMBLY (INCLUDES ITEMS 10 - 59, 70, 71) .....	1	1	
10	23501-G2		GEAR SET (INCLUDES ITEMS 11 - 13) .....	1	1	
11	23503-G2		GEAR, INPUT .....	1	1	
12	23505-G2		GEAR, INTERMEDIATE .....	1	1	
13	20376-G2		GEAR, OUTPUT .....	1	1	
14						
15	23520-G1		BALL BEARING, INPUT GEAR .....	1	1	
16	23519-G1		BALL BEARING, INPUT GEAR, INTERMEDIATE .....	1	1	
17	23525-G1		SEAL, O-RING .....	3	3	
18	23526-G1		SEAL, O-RING .....	2	2	
19	23521-G1		BALL BEARING, INTERMEDIATE GEAR .....	2	2	
20	23530-G1		RETAINING RING .....	3	3	
21	23531-G1		COVER, DUST .....	1	1	
22	17473-G1		BALL BEARING, OUTPUT GEAR .....	2	2	
23						
24	18463-G1		DIFFERENTIAL ASSEMBLY (INCLUDES ITEMS 25 - 31) ...	1	1	
25	13108-G1		CASE, DIFFERENTIAL .....	1	1	
26	13106-G1		WASHER, THRUST PINION GEAR .....	2	2	
27	13104-G1		WASHER, THRUST DIFFERENTIAL GEAR .....	2	2	
28	18060-G1		GEAR, DIFFERENTIAL .....	2	2	
29	13105-G1		GEAR, PINION .....	2	2	
30	13107-G1		SHAFT, PINION GEAR .....	1	1	
31	13102-G1		PIN, LOCKING .....	1	1	
32						

# REAR AXLE, MECHANICAL BRAKES

THE USE OF NON U.L. PARTS WILL VOID ANY U.L. LISTING.

When ordering parts, please specify the model and serial number of the product.

\* Indicates a component that is not available as an individual part.

MODEL		
775	956	
952	960	
954		

ITEM	PART NO.	1	2	3	4	5	DESCRIPTION	QTY		
33	00433-G1						SCREW, 3/8 - 24 X 1 1/8 LG. ....	4	4	
34	00532-G6						NUT, 3/8 - 24 .....	4	4	
35										
36	*						AXLE HOUSING (INCLUDES ITEM 38) .....	1	1	
37										
38	15118-G1						SCREW, 3/8 - 16 X 2 1/8 LG. ....	4	4	
39										
40										
41										
42	20536-G1						SEALANT (ENOUGH FOR ONE APPLICATION) .....	1	1	
43	23527-G1						PLATE, COVER .....	1	1	
44	15558-G1						SCREW, 5/16 - 18 X 3/4 LG. ....	10	10	
45										
46										
47										
48										
49										
50										
51										
52										
53										
54										
55										
56										
57	23826-G1						KIT, VENT PLUG (INCLUDES ITEMS 58,59) .....	1	1	
58	19039-G1						PLUG, VENT .....	1	1	
59	23827-G1						BUSHING, REDUCER .....	AR	AR	
60	**						KIT, SLIDE HAMMER .....	NA	NA	
61	**						TOOL, SEAL REMOVAL .....	NA	NA	
62										
63	23518-G1						SHAFT, AXLE, DRIVER'S SIDE (INCLUDES ITEMS 65 - 68) .....	1	1	
64	23518-G2						SHAFT, AXLE, PASSENGER'S SIDE (INCLUDES ITEMS 65 - 68) .....	1	1	
65	15114-G1						SEAL, AXLE .....	2	2	

# REAR AXLE, MECHANICAL BRAKES

THE USE OF NON U.L. PARTS WILL VOID ANY U.L. LISTING.

When ordering parts, please specify the model and serial number of the product.

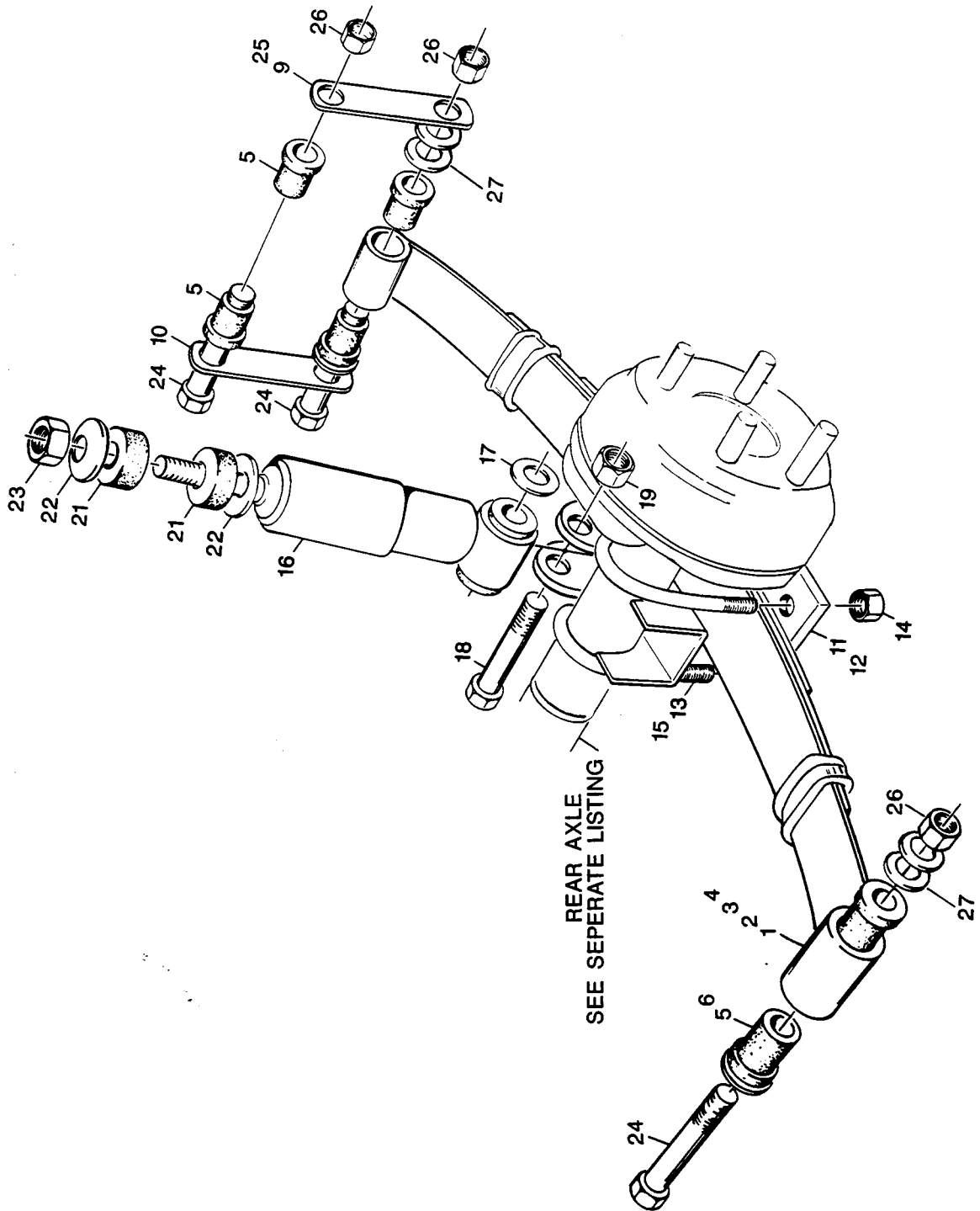
\* Indicates a component that is not available as an individual part.

MODEL		
775	956	
952	960	
954		

ITEM	PART NO.	1	2	3	4	5	DESCRIPTION	QTY	
66	15113-G1						RETAINING, RING .....	4	4
67	15112-G1						BALL BEARING AXLE, AXLE .....	2	2
68	15485-G1						WASHER, 20mm .....	2	2
69									
70	15483-G1						NUT, SLOTTED, 5/8 - 18 .....	2	2
71	10387-G1						PIN, COTTER, 1/8 X 1 1/2 LG. ....	2	2

# REAR AXLE, HYDRAULIC / MECHANICAL

---



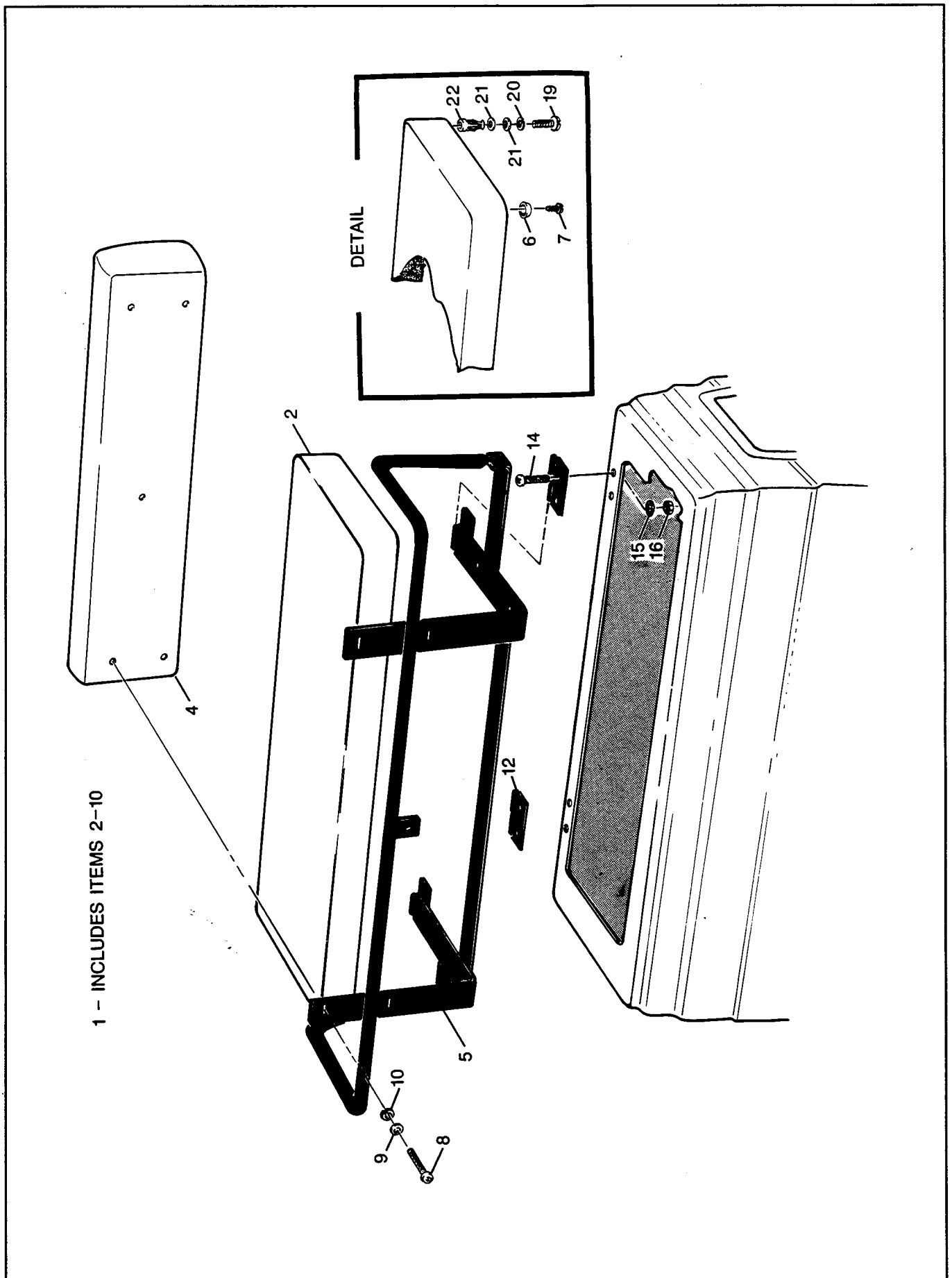
# REAR SUSPENSION

THE USE OF NON U.L. PARTS WILL VOID ANY U.L. LISTING.

When ordering parts, please specify the model and serial number of the product.

\* Indicates a component that is not available as an individual part.

						MODEL			
						AS DESIGNATED BELOW			
ITEM	PART NO.	1	2	3	4	5	DESCRIPTION	QTY	
1	31435-G1						LEAF SPRING, 3 LEAF (ITEMS 1, 6, 11, 14 - 26 ARE FOR USE ON 775 MODEL) .....	2	
2	31397-G1						LEAF SPRING, 5 LEAF - COMPLETE WITH NYLON BUSHINGS (ITEMS 2, 5, 9, 10, 12 - 14, 16 - 24, 26, 27 ARE FOR USE ON 875, 875P, 881, 955 AND 957 MODELS) .....	2	
3	31397-G1						LEAF SPRING, 5 LEAF - COMPLETE WITH NYLON BUSHINGS (ITEMS 3, 5, 9 - 11, 14 - 24, 26, 27 FOR USE ON 952 AND 960 MODELS) .....	2	
4	31397-G2						LEAF SPRING, 4 LEAF - COMPLETE WITH NYLON BUSHINGS (ITEMS 4, 5, 9 - 11, 14 - 24, 26, 27 FOR USE ON 954 AND 956 MODELS) .....	2	
5	20098-G1						BUSHING, RUBBER, LEAF SPRING .....	4	
6	20098-G1						BUSHING, RUBBER, LEAF SPRING (FOR USE ON 775 MODEL) ...	12	
7									
8									
9	30035-G1						SHACKLE, SPRING .....	2	
10	30035-G2						SHACKLE, SPRING .....	2	
11	32196-G1						PLATE, MOUNTING SPRING .....	2	
12	32194-G1						PLATE, MOUNTING SPRING .....	2	
13	30553-G1						U-BOLT, 3/8 .....	4	
14	11098-G5						NUT, LOCK, 3/8 - 16 .....	8	
15	32195-G1						U-BOLT, 3/8 .....	4	
16	21781-G1						SHOCK ABSORBER .....	2	
17	00560-G5						WASHER, 5/8 .....	2	
18	00458-G8						BOLT, 5/8 - 11 X 3 LG. ....	2	
19	00551-G5						NUT, LOCK, 5/8 - 11 .....	2	
20									
21	10194-G1						BUSHING, RUBBER SHOCK .....	4	
22	10435-G1						WASHER, SHOCK ABSORBER .....	4	
23	00532-G6						NUT, SHOCK ABSORBER .....	2	
24	15727-G1						BOLT, SHOULDER 1/2 X 2 3/8 LG .....	6	
25	19675-G1						SHACKLE, SPRING .....	2	
26	13521-G4						NUT, LOCK, 3/8 - 16, UNITORQUE .....	6	
27	00771-G2						WASHER, NYLON .....	2	



# SEATING, BENCH

THE USE OF NON U.L. PARTS WILL VOID ANY U.L. LISTING.

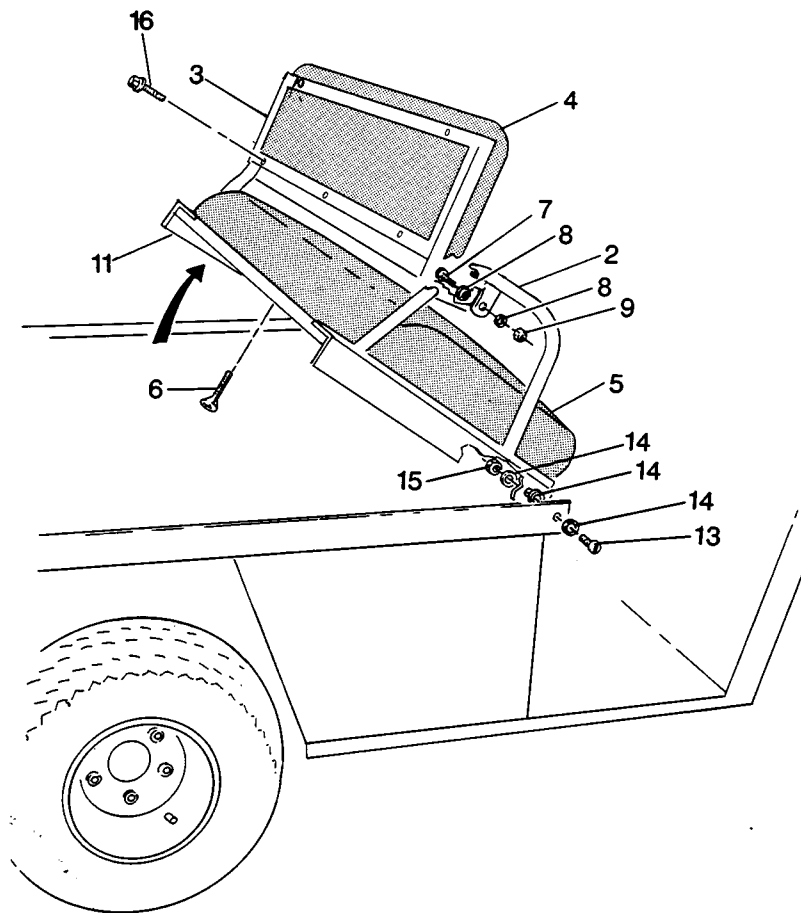
When ordering parts, please specify the model and serial number of the product.

\* Indicates a component that is not available as an individual part.

MODEL		
954	956	
955	957	

ITEM	PART NO.	1	2	3	4	5	DESCRIPTION	QTY	
								954	956
1	33018- G*						BENCH SEAT AND BACK ASSEMBLY (INCLUDES ITEMS 2 - 10) ..	1	1
2	33013- G*						BENCH SEAT ASSEMBLY .....	1	1
3									
4	33012- G*						BACK REST ASSEMBLY .....	1	1
5	30021-G1						FRAME, SEAT .....	1	1
6	26584-G01						CAP, BACKREST .....	1	1
7	00740-G4						SCREW, STAINLESS STEEL, #10 - 32 X 1/2 .....	5	5
8	16705-G1						SCREW, STAINLESS STEEL, 1/4 - 20 X 1 LG. ....	11	11
9	00660-G7						WASHER, STAINLESS STEEL, 1/4 .....	11	11
10	00664-G7						WASHER, STAINLESS STEEL, LOCK, 1/4 .....	11	11
11									
12	30031-G2						HINGE, MALE .....	2	2
13									
14	16705-G5						SCREW, STAINLESS STEEL, 1/4 - 20 X 1 1/2 LG. ....	4	4
15	00660-G7						WASHER, STAINLESS STEEL, 1/4 .....	4	4
16	00891-G2						NUT, LOCK, NYLON INSERT, 1/4 - 20 .....	4	4
17									
18									
19	16705-G1						SCREW, STAINLESS STEEL, 1/4 - 20 X 1 LG. ....	1	1
20	00664-G7						WASHER, LOCK, STAINLESS STEEL, 1/4 .....	1	1
21	00660-G7						WASHER, STAINLESS STEEL, 1/4 .....	2	2
22	30054-G1						NUT, MOLLY JACK, 1/4 - 20 .....	1	1





# SEATING, CONVERTIBLE

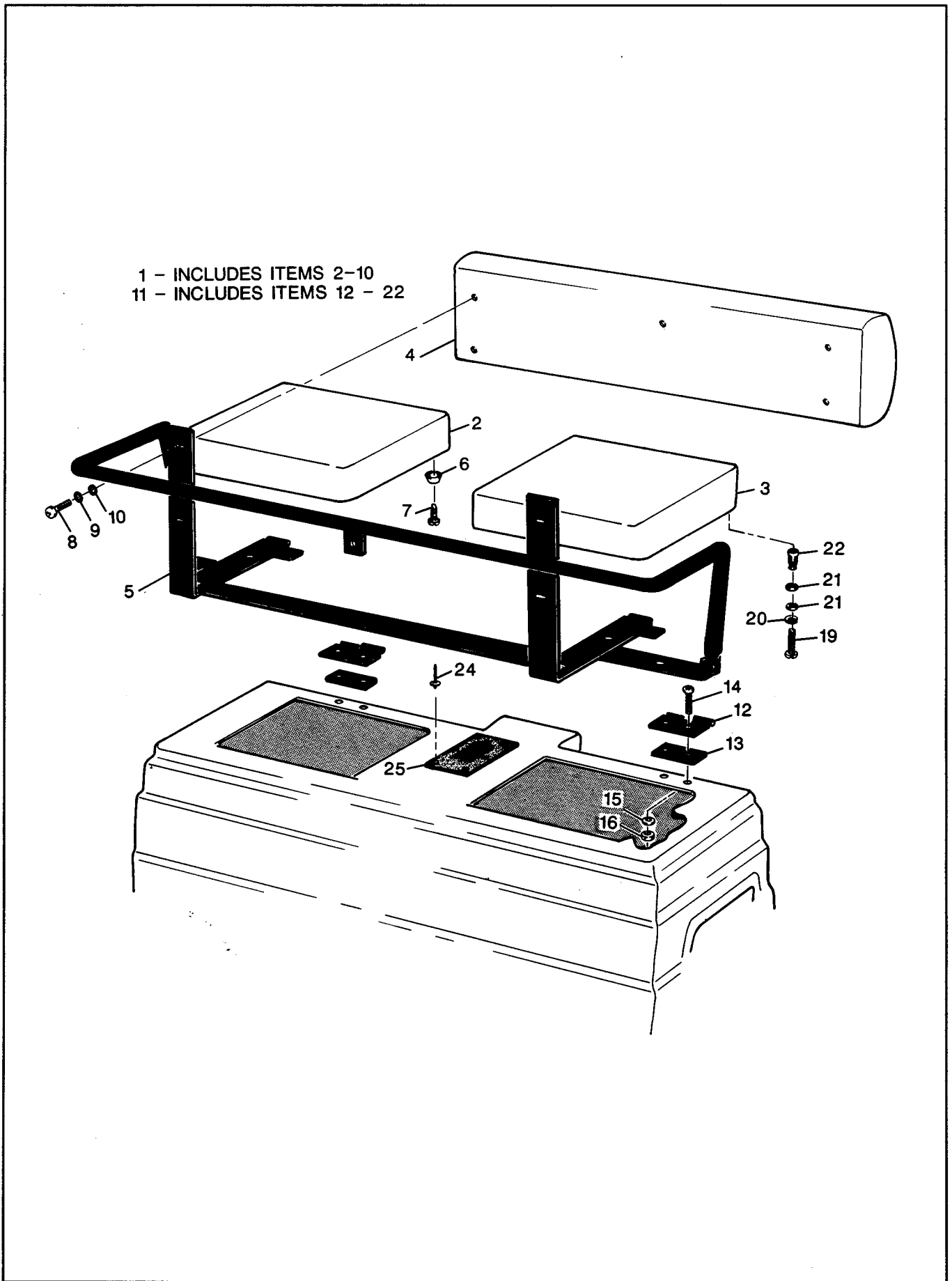
THE USE OF NON U.L. PARTS WILL VOID ANY U.L. LISTING.

When ordering parts, please specify the model and serial number of the product.

\* Indicates a component that is not available as an individual part.

MODEL	
875P	

ITEM	PART NO.	1	2	3	4	5	DESCRIPTION	QTY	
1	33055-G01						CONVERTIBLE SEAT ASSEMBLY (INCLUDES ITEMS 2 - 11) .....	1	
2	33060-G01						CONVERTIBLE SEAT .....	1	
3	33043-G01						SEAT BACK SUPPORT .....	1	
4	25807-G						SEAT BACK ASSEMBLY .....	1	
5	33012-G03						BACK REST ASSEMBLY .....	1	
6	16705-G3						SCREW, STAINLESS STEEL, 1/4 - 20 X 3/4 LG. ....	6	
7	16705-G1						SCREW, STAINLESS STEEL, 1/4 - 20 X 1 LG. ....	2	
8	00907-G1						WASHER, STAINLESS STEEL, 1/4 .....	4	
9	00891-G2						NUT, LOCK, NYLON INSERT, 1/4 - 20 .....	4	
10									
11	33061-G01						SEAT DECK .....	1	
12									
13	00976-G08						SCREW, STAINLESS STEEL, 5/16 - 18 X 1 LG. ....	2	
14	00569-G2						WASHER, 5/16 .....	6	
15	00891-G3						NUT, LOCK, PLASTIC INSERT, 5/16 - 18 .....	2	
16	00740-G4						SCREW, 10-32 X 1/2 .....	5	



# SEATING, FRONT

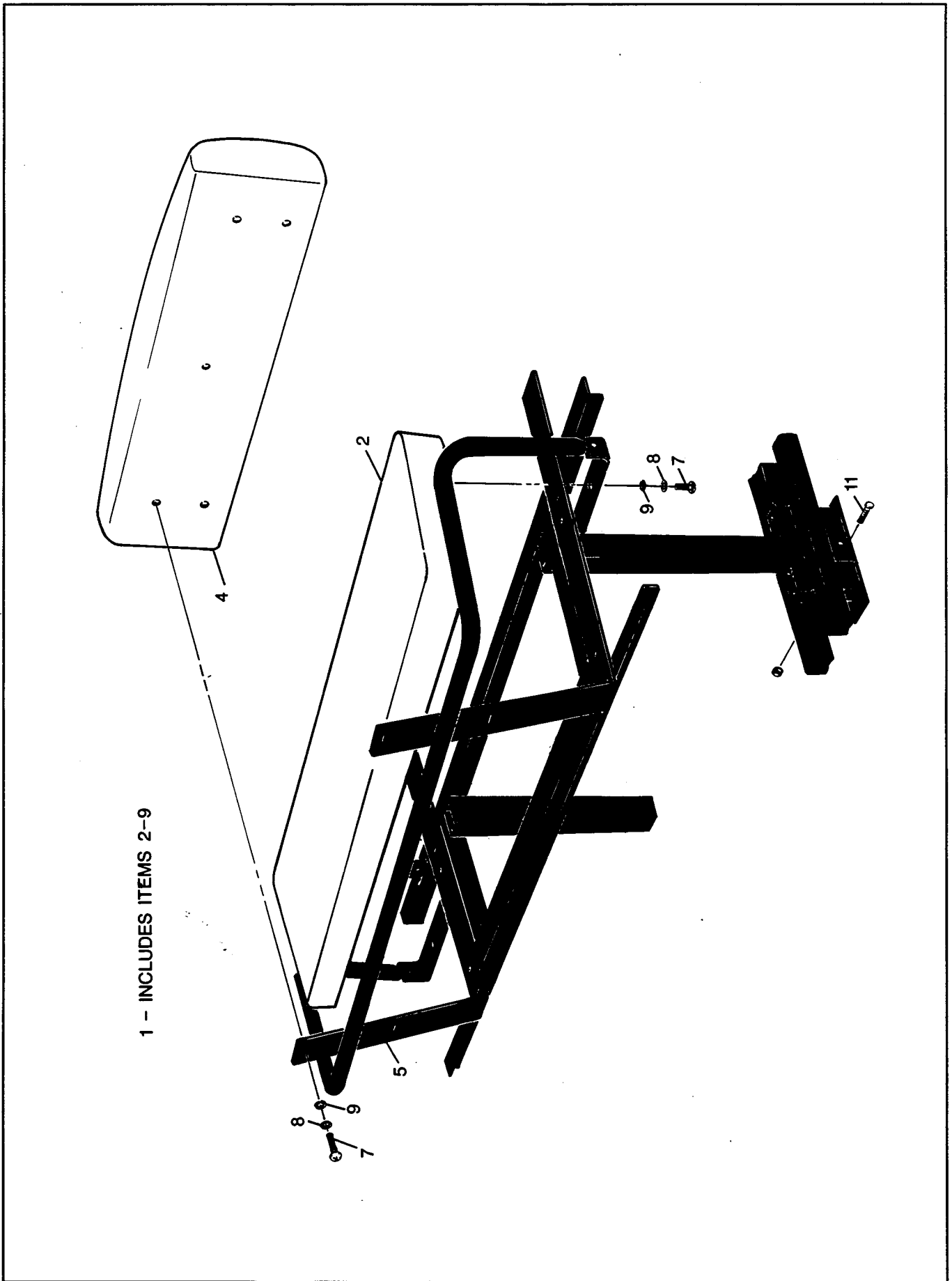
THE USE OF NON U.L. PARTS WILL VOID ANY U.L. LISTING.

When ordering parts, please specify the model and serial number of the product.

\* Indicates a component that is not available as an individual part.

MODEL		
952	956	
954	957	
955	960	

ITEM	PART NO.	1	2	3	4	5	DESCRIPTION	QTY		
1	33019- G*						FRONT SEAT ASSEMBLY (INCLUDES ITEMS 2 - 10) .....	1	1	
2	33015-G*						SINGLE SEAT BOTTOM ASSEMBLY, R.H. ....	1	1	
3	33015-G*						SINGLE SEAT BOTTOM ASSEMBLY. L.H. ....	1	1	
4	33012-G*						BACK, SEAT .....	1	1	
5	30021-G1						FRAME, SEAT .....	1	1	
6	26584-G01						CAP, BACKREST .....	1	1	
7	00114-G6						SCREW, WASHER HEAD, 1/4 - 10 X 3/4 LG. ....	6	6	
8	16705-G1						SCREW, STAINLESS STEEL, 1/4 - 20 X 1 LG. ....	13	13	
9	00660-G7						WASHER, STAINLESS STEEL, 1/4 .....	13	13	
10	00664-G7						WASHER, LOCK, STAINLESS STEEL, 1/4 .....	13	13	
11										
12	30031-G2						HINGE, SLIP (MALE HALF) .....	2	2	
13	30408-G1						SPACER, HINGE .....	2	2	
14	16705-G5						SCREW, 1/4 - 20 X 1 1/2 LG. ....	4	4	
15	00660-G7						WASHER, 1/4 .....	4	4	
16	00891-G2						NUT, LOCK, PLASTIC INSERT, 1/4 - 20 .....	4	4	
17										
18										
19	16705-G1						SCREW, 1/4 - 20 X 1 LG. ....	1	1	
20	00664-G7						WASHER, LOCK, 1/4 .....	1	1	
21	00660-G7						WASHER, 1/4 .....	2	2	
22	30054-G1						NUT, MOLLY JACK, 1/4 - 20 .....	1	1	
23										
24	10570-G2						RIVET .....	6	6	
25	30075-G1						MAT, RUBBER .....	1	1	



# SEATING, PEDESTAL

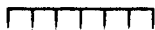
THE USE OF NON U.L. PARTS WILL VOID ANY U.L. LISTING.

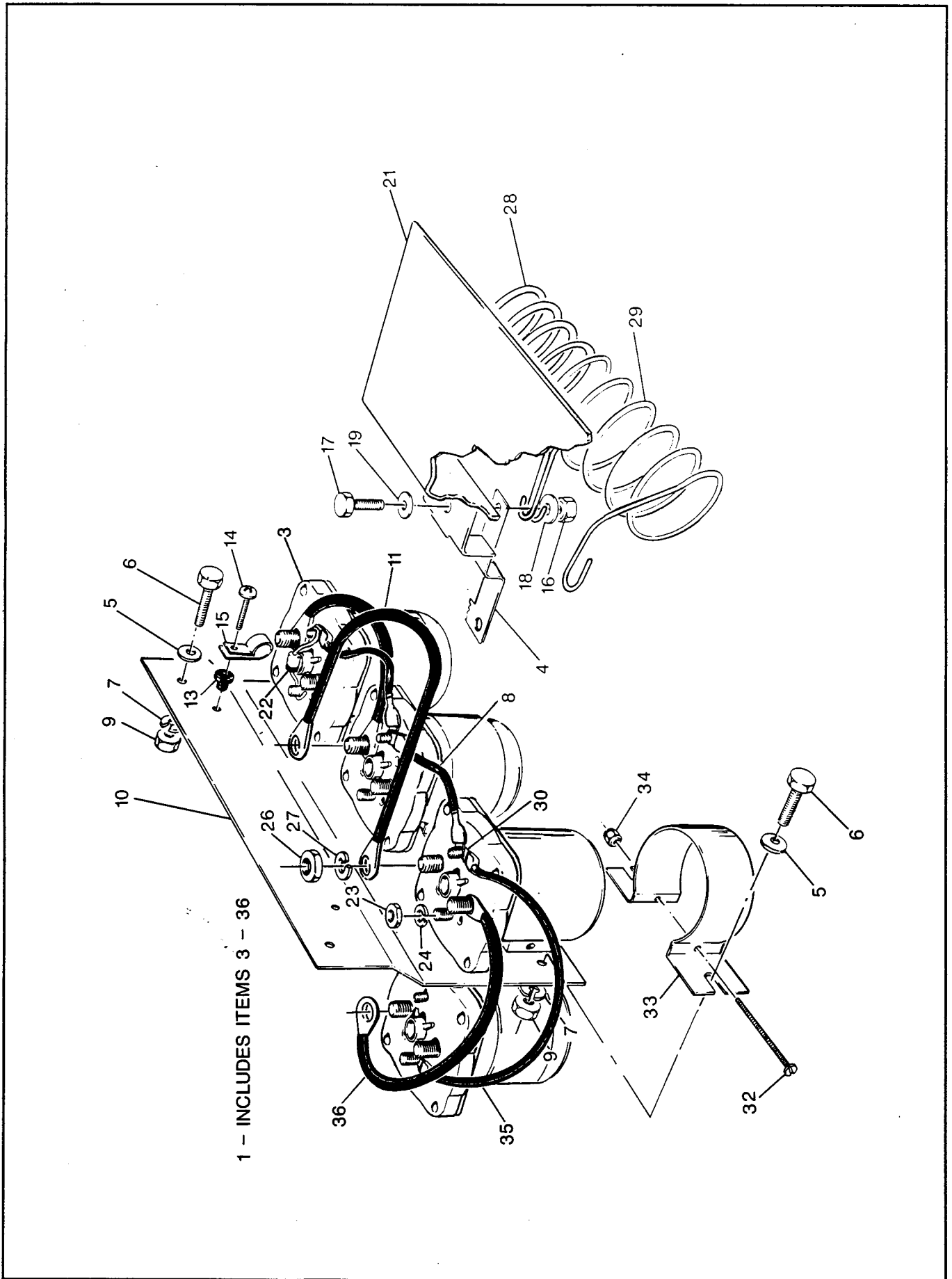
When ordering parts, please specify the model and serial number of the product.

\* Indicates a component that is not available as an individual part.

MODEL	
955	957

ITEM	PART NO.	1	2	3	4	5	DESCRIPTION	QTY	
1	33050- G*						EXTRA SEAT ASSEMBLY (INCLUDES ITEMS 2 - 9) .....	1	
2	33013- G*						BENCH SEAT ASSEMBLY .....	1	
3									
4	33012- G*						BACK REST ASSEMBLY .....	1	
5	30615-G1						FRAME, SEAT .....	1	
6	26584-G01						CAP, BACKREST .....	1	
7	16705-G1						SCREW, 1/4 - 20 X 1 LG. ....	11	
8	00660-G7						WASHER, 1/4 .....	11	
9	00664-G7						WASHER, 1/4 .....	11	
10	00740-G4						SCREW, STAINLESS STEEL .....	5	
11	00439-G4						SCREW, 5/16 - 18 X 1 1/2 LG. ....	4	
12	11098-G6						NUT, LOCK, 5/16 - 18 .....	4	





# SOLENOID AND RESISTOR ASSEMBLY

THE USE OF NON U.L. PARTS WILL VOID ANY U.L. LISTING.

When ordering parts, please specify the model and serial number of the product.

\* Indicates a component that is not available as an individual part.

MODEL
RESISTOR COIL VERSION

ITEM	PART NO.	1	2	3	4	5	DESCRIPTION	QTY	
1	32689-G1						SOLENOID AND RESISTOR ASSEMBLY (INCLUDES ITEMS 3 - 36 ..	1	
2									
3	20468-G1						SOLENOID, 36 VOLT .....	4	
4	32048-G1						MOUNT, RESISTOR .....	3	
5	00559-G7						WASHER, FLAT, 1/4 .....	8	
6	00414-G6						SCREW, HEX, 1/4 - 20 X 3/4 LG. ....	4	
7	00565-G7						WASHER, LOCK, 1/4 .....	4	
8	32051-G1						WIRE ASSEMBLY, 16 GAUGE .....	2	
9	00532-G1						NUT, HEX, 1/4 - 20 .....	4	
10	30349-G1						PANEL, SOLENOID .....	1	
11	30338-G2						WIRE ASSEMBLY, 6 GAUGE .....	2	
12									
13	00739-G1						NUT, RUBBER, WELL, #10 - 24 .....	2	
14	00210-G6						SCREW, #10 - 24 X 3/4 LG. ....	2	
15	17181-G1						CLIP, CABLE .....	2	
16	00532-G3						NUT, HEX, 5/16 - 18 .....	3	
17	00438-G8						SCREW, HEX, 5/16 - 18 X 1 LG. ....	3	
18	00565-G8						WASHER, LOCK, 5/16 .....	3	
19	00559-G8						WASHER, FLAT, 5/16 .....	4	
20									
21	30350-G2						SHIELD, HEAT .....	1	
22	30353-G1						DIODE .....	4	
23	00526-G4						NUT, #10 - 32 .....	8	
24	00565-G5						WASHER, LOCK, #10 .....	8	
25									
26	00544-G4						NUT, 5/16 - 24 .....	8	
27	00565-G8						WASHER, LOCK, 5/16 .....	8	
28	30356-G1						RESISTOR COIL, MEDIUM .....	1	
29	30355-G1						RESISTOR COIL, HEAVY .....	1	
30	12914-G1						TAB, FASTON, 3/16 STUD .....	5	
31									
32	*						SCREW .....	4	
33	*						BRACKET .....	4	
34	*						NUT .....	4	



# SOLENOID AND RESISTOR ASSEMBLY

THE USE OF NON U.L. PARTS WILL VOID ANY U.L. LISTING.

When ordering parts, please specify the model and serial number of the product.

\* Indicates a component that is not available as an individual part.

MODEL
RESISTOR COIL VERSION

ITEM	PART NO.	1	2	3	4	5	DESCRIPTION	QTY	
35	32934-G1						WIRE ASSEMBLY, 16 GAUGE .....	1	
36	24758-G7						WIRE ASSEMBLY, 6 GAUGE .....	1	

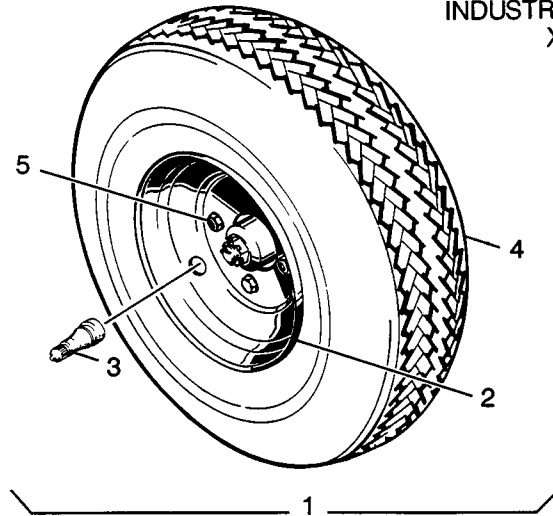
# SOLENOID AND RESISTOR ASSEMBLY

---

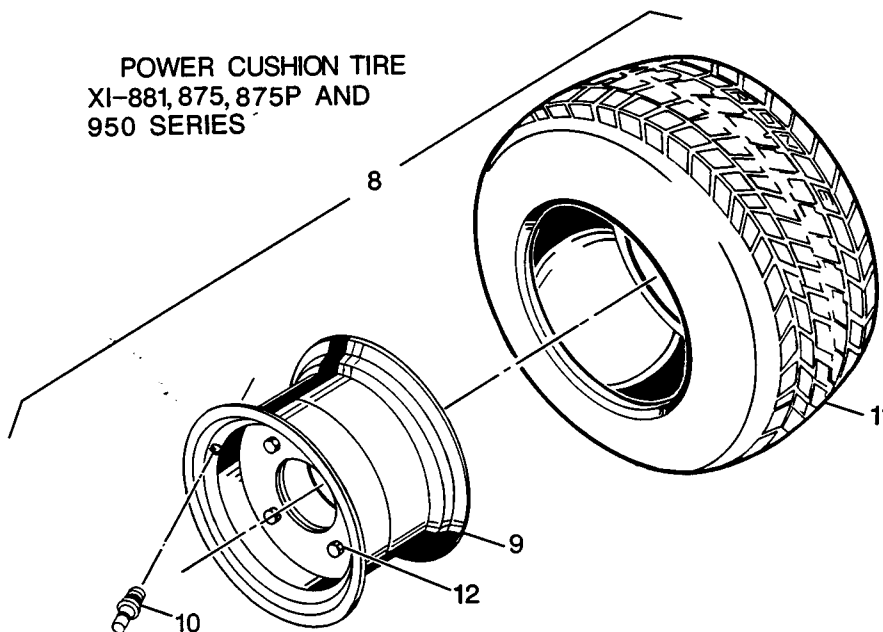
1 - INCLUDES ITEMS 2-4

8 - INCLUDES ITEMS 9-11

INDUSTRIAL SERVICE TIRE  
XI-775 ONLY



POWER CUSHION TIRE  
XI-881, 875, 875P AND  
950 SERIES



# WHEELS AND TIRES

THE USE OF NON U.L. PARTS WILL VOID ANY U.L. LISTING.

When ordering parts, please specify the model and serial number of the product.

\* Indicates a component that is not available as an individual part.

MODEL	
775	ALL OTHERS

ITEM	PART NO.	1	2	3	4	5	DESCRIPTION	QTY		
								775	ALL OTHERS	
1	32028-G1						WHEEL AND TIRE ASSEMBLY (INCLUDES ITEMS 2 - 4) .....	-	4	4
2	10641-G2						WHEEL, DICO .....	-	1	1
3	11657-G1						STEM, VALVE .....	-	1	1
4	18993-G1						TIRE, POWER CUSHION, 18.5 X 8.5 X 8 .....	-	1	1
5	14723-G1						NUT, LUG .....	-	5	5
6										
7										
8	32168-G1						WHEEL AND TIRE ASSEMBLY, 4.80 X 8 (INCLUDES ITEMS 9 - 11)	4	-	-
9	23385-G1						WHEEL, DICO .....	1	-	-
10	26452-G1						STEM, VALVE .....	1	-	-
11	30442-G1						TIRE, GOODYEAR CT II, 6 PLY .....	1	-	-
12	14723-G1						NUT, LUG .....	5	-	-

# WHEELS AND TIRES

---

---

## SERVICE ACCESSORIES AND SPECIAL TOOLS

**SPECIAL TOOLS**

**PART NO.**

CURRENT INDICATOR .....	16489-G2
MULTI-METER (OHM METER) .....	51020-G2
SEAL INSTALLATION TOOL (REAR AXLE SHAFT SEAL) .....	18739-G1
SLIDE HAMMER KIT (AXLE PULLER) .....	18753-G1

**PAINT**

CONTACT CUSTOMER REPRESENTATIVE FOR COLOR SPECIFICATIONS AND PART NUMBERS.



E-Z-GO Division of Textron Inc.  
P.O. Box 388 Augusta, Georgia 30903-0388  
Telephone 1-800-241-5855

Copyrighted material.  
This manual may not be reproduced in whole or  
in part without the express permission of  
E-Z-GO Division of Textron Inc.  
Technical Communications Department