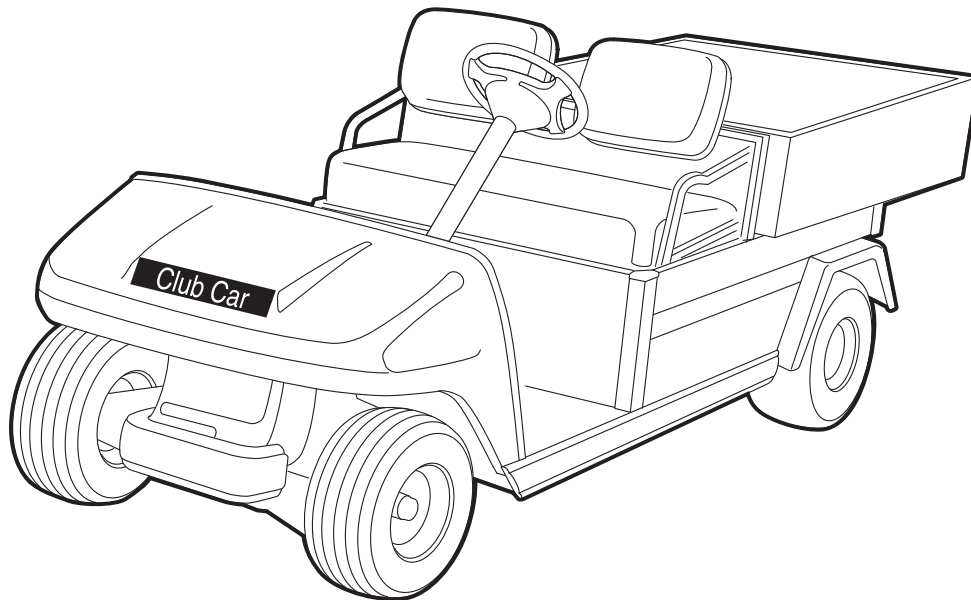




**2004-2005
Turf/Carryall
Illustrated Parts List**



**Turf 1, Turf 2, Turf 252, Turf 2 XRT, Turf 6,
Carryall 1, Carryall 2, Carryall 2 Plus,
Carryall 252, Carryall 2 XRT, Carryall 6
Gasoline and Electric Vehicles**

Manual Number 102397502
Edition Code 0705V0112U



MASTERS

GOLF & UTILITY VEHICLES

www.mastersgolfcarts.com - 905-436-0606 - 1-855-226-0606

USING THE ILLUSTRATED PARTS LIST

⚠ WARNING

- **This manual is to be used only for identification and ordering of service parts. Be sure to read and use the maintenance and service manual before attempting any vehicle repairs.**

This manual covers all 2004 and 2005 Carryall[®] 1, Carryall 2, Carryall 252, Carryall 2 XRT, Carryall 2 Plus, and Carryall 6; and Turf 1, Turf 2, Turf 252, Turf 2 XRT, and Turf 6 (gasoline only) vehicles.

The manual is divided into sections. Note that there are two or three flags on the outside edge of each page. The first flag contains the section number of which that page is a part. The other flag (or flags) contains the letter G or E, signifying that the page pertains to the electric or gasoline vehicles only.

Use the Table of Contents to find the sections and pages that contain the parts and assemblies you seek. The Table of Contents lists section numbers, and under them, the individual page titles and numbers to be found in that section. The index can be used to find specific parts and assemblies. The index is divided into numerical and alphabetical listings with the page numbers in italic text.

There is a two-page spread for each individual page title in the Table of Contents. On the left-hand page is an illustration showing the parts in their relative positions; the parts are each tagged with an item number in a balloon. The right-hand page is the parts list page, and gives the page title at the top, then the item numbers (corresponding to the numbers on the illustration), part descriptions, and quantity of parts used.

Note that a part description may be indented. This indentation corresponds to a parts assembly level indicated by the numbers 1, 2, 3, and 4 at the top left corner of the parts description area of the parts list page. A part that is indented to *level 2* is a component of the *level 1* part (assembly) that it is listed under. A *level 3* part is a component of the *level 2* part that it is listed under, and a *level 4* part is a component of the *level 3* part preceding it. In each case, the part quantity given for a level 2, 3, or 4 part is *the quantity used per next higher level assembly of which it is a component*. A part that is not indented is a *level 1* part. This means that the quantity given is the quantity used per the portion of the vehicle illustrated on that particular spread.

HOW TO ORDER PARTS

Replacement parts and accessories can be obtained from our network of authorized dealers and distributors. You can obtain the name and phone number of your closest authorized Club Car dealer or distributor by visiting our web site at www.clubcar.com and clicking on the "Distributor Search" link or by calling our toll-free Service Parts and Technical Assistance hotline at (800) 872-2246 or (706) 863-3000, extension 3887.



P. O. Box 204658
Augusta, Georgia 30917-4658 USA
Telephone 706-863-3000
Service Parts Fax 706-855-7413
www.clubcar.com

NOTE: *This illustrated parts list represents the most current information at the time of publication. Club Car, Inc. is continually working to further improve its vehicles and other products. These improvements may affect the parts used to service the vehicle. Any modification and/or significant change in specifications will be forwarded to all Club Car and Carryall distributors/dealers and will, when applicable, appear in future editions of this illustrated parts list.*

Club Car, Inc. reserves the right to change specifications and designs at any time without notice and without the obligation of making changes to units previously sold.

Copyright © 2005 Club Car, Inc.
Club Car and *ArmorFlex*
are registered trademarks of Club Car, Inc.
This manual effective July 28, 2003.

2004-2005 Turf/Carryall Gasoline and Electric Vehicle Illustrated Parts List

CONTENTS

SECTION 1 – BODY AND TRIM

Front Body and Trim – Turf 1	1-3
Front Body and Trim – Carryall 1	1-5
Front Body and Trim – Turf/Carryall 2, Carryall 2 Plus, and Carryall 6	1-7
Front Body and Trim – Turf/Carryall 252, Turf/Carryall 2 XRT	1-9
Dash Components	1-11
Beverage Holder	1-13
Seat Bottom	1-15
Seat Back and Support Structure	1-17
Tilt Bed, Hinge, and Latch – Turf/Carryall 1	1-19
Tilt Bed, Hinge, and Latch – Turf/Carryall 2, 252, 2 XRT, and Carryall 2 Plus	1-21
Latch Plate – Turf/Carryall 1, 2, 252, 2 XRT, and Carryall 2 Plus	1-23
Prop Rod – Turf/Carryall 2, 252, 2 XRT, and Carryall 2 Plus	1-25
Cargo Box – Turf/Carryall 1	1-27
Tailgate Bracket (Earlier Style)	1-29
Cargo Box Mounting – Turf/Carryall 1	1-31
Cargo Box – Turf/Carryall 2, 252, 2 XRT, and 2 Plus	1-33
Cargo Box Mounting – Turf/Carryall 2, 252, 2 XRT, and Carryall 2 Plus	1-35
Side Doors – Turf/Carryall 6	1-37
Flat Bed – Turf/Carryall 6	1-39
Flat Bed Mounting – Turf/Carryall 6	1-41
Trailer Hitch – Turf/Carryall 1, Turf/Carryall 2, 252, 2 XRT, and Carryall 2 Plus	1-43
Rear Body Trim – Turf/Carryall 1, 2, and Carryall 2 Plus	1-45
Rear Body Trim – Turf/Carryall 252 and 2 XRT	1-47
Rear Body Trim – Turf/Carryall 6	1-49

SECTION 2 – WHEELS AND TIRES

Wheels and Tires – Villager 6 and 8, and TransPorter 4 and 6	2-3
Wheels and Tires – Turf/Carryall 2	2-5
Wheels and Tires – Turf/Carryall 6	2-7
Wheels and Tires, Off-Road Tread – Turf/Carryall 252, Turf/Carryall 2 XRT	2-9
Wheels and Tires, Turf Tread – Turf/Carryall 252, Turf/Carryall 2 XRT	2-11

SECTION 3 – DECALS

Decals – Turf/Carryall 1 Gasoline and Electric Vehicles	3-3
Decals – Turf 1/Carryall 1 PowerDrive Vehicles	3-5
Decals – Turf/Carryall 1 IQ System Vehicles	3-7
Decals – Turf/Carryall 1 Gasoline Vehicles	3-9

CONTENTS

Decals – Turf/Carryall 2 Gasoline and Electric Vehicles	3-11
Decals – Turf/Carryall 2 PowerDrive Vehicles	3-13
Decals – Turf/Carryall 2 Gasoline Vehicles	3-15
Decals – Carryall 2 Plus	3-17
Decals – Carryall 2 Plus, Continued	3-19
Decals – Carryall 6 PowerDrive Vehicles	3-21
Decals – Carryall 6 PowerDrive Vehicles, Continued	3-23
Decals – Turf/Carryall 6 Gasoline Vehicles	3-25
Decals – Carryall 6 Gasoline Vehicles, Continued	3-27
Decals – Turf 6 Gasoline Vehicles, Continued	3-29
Decals – Turf/Carryall 252 and 2 XRT	3-31
Decals – Turf/Carryall 252 and 2 XRT, Continued	3-33
Decals, Logo – Turf/Carryall 1, 2, and Carryall 2 Plus	3-35
Decals, Logo – Turf/Carryall 6	3-37
Decals, Logo – Turf/Carryall 2 XRT	3-39
Decals, Logo – Turf/Carryall 252	3-41

SECTION 4 – BRAKES, PEDAL, AND CABLE ASSEMBLIES

Rear Brake Assembly, Self-Adjusting – Turf/Carryall 1	4-3
Rear Brake Assembly, Manually-Adjusted – Turf/Carryall 2, 252, 2 XRT, 2 Plus, and 6	4-5
Brake Pedal Assembly – Vehicles with Two-Wheel Brakes	4-7
Brake Pedal Assembly – Vehicles with Four-Wheel Brakes	4-9
Front Brake Assembly – Vehicles with Four-Wheel Brakes	4-11
Front Brake Cables and Equalizer – Vehicles with Four-Wheel Brakes	4-13
Front Brake Cable Clips and Hardware – Vehicles with Front-Wheel Brakes	4-15
Brake Cable, Equalizer, and Equalizer Rod – Vehicles with Two-Wheel Brakes	4-17
Rear Brake Cables & Equalizer – Turf/Ca 2 XRT, 252, 2 and Ca 2 Plus with 4-Wheel Brakes	4-19
Brake Cables and Equalizer – Turf/Carryall 2 Vehicles with Two-Wheel Brakes	4-21
Rear Brake Cables, Equalizer, and Equalizer Rod – Turf/Carryall 6 Vehicles	4-23
Accelerator Pedal – Gasoline Vehicles	4-25
Accelerator Pedal Assembly – Electric Vehicles with MCOR	4-27
Accelerator Rod – Gasoline Turf/Carryall 1	4-29
Accelerator Rod – Gasoline Turf/Carryall 2, 252, 2 XRT, and 2 Plus	4-31
Accelerator Rod – Gasoline Turf/Carryall 6	4-33

SECTION 5 – STEERING, FRONT AND REAR SUSPENSION

Steering Column – All Vehicles Except Turf/Carryall 2 XRT and Turf/Carryall 252	5-3
Steering Column – Turf/Carryall 2 XRT and Turf/Carryall 252 Vehicles	5-5
Steering Wheel – Turf Vehicles	5-7

CONTENTS

Steering Wheel – Carryall Vehicles	5-9
Steering Gear Assembly	5-11
Front Frame Plates – Turf/Carryall 252 and Turf/Carryall 2 XRT	5-13
Front Suspension, Upper – Turf/Carryall 1 and Turf/Carryall 2 with Two-Wheel Brakes	5-15
Front Suspension, Lower – Turf/Carryall 1 and Turf/Carryall 2 with Two-Wheel Brakes	5-17
Front Suspension, Upper – Turf/Carryall 252, Turf/Carryall 2 XRT	5-19
Front Suspension, Lower – Turf/Carryall 252, Turf/Carryall 2 XRT	5-21
Front Suspension, Upper – Carryall 2 Plus and Turf/Carryall 2 with Four-Wheel Brakes	5-23
Front Suspension, Lower – Carryall 2 Plus and Turf/Carryall 2 with Four-Wheel Brakes	5-25
Front Suspension, Upper – Turf/Carryall 6 Vehicles	5-27
Front Suspension, Lower – Turf/Carryall 6 Vehicles	5-29
Front Spindles and Hubs – Vehicles with Two-Wheel Brakes	5-31
Front Spindles and Hubs – Vehicles with Four-Wheel Brakes	5-33
Rear Suspension Components – Turf/Carryall 1 Electric Vehicles	5-35
Steering Gear Assembly	5-37
Rear Suspension Components – Turf/Carryall 1 Gasoline Vehicles	5-39
Rear Suspension – Turf/Carryall 2, Carryall 2 Plus, and 6 Gasoline with Stabilizer Bar	5-41
Rear Suspension Components – Turf/Carryall 252 and 2 XRT	5-43
Rear Suspension Components – Turf/Carryall 2 and 6 PowerDrive Vehicles	5-45
Stabilizer Bar – Turf/Carryall 2, 6, and Carryall 2 Plus Gasoline Vehicles	5-47
Stabilizer Bar – Turf/Carryall 252 and 2 XRT	5-49

SECTION 6 – ELECTRICAL SYSTEM – GASOLINE VEHICLES

Wiring – Gasoline Turf/Carryall 1	6-5
Wiring – Gasoline Carryall 2 Plus	6-9
Wiring – Turf/Carryall 2, Turf/Carryall 252, and Turf/Carryall 2 XRT	6-13
Wiring – Gasoline Carryall 6	6-17
Wiring – Gasoline Turf 6	6-21
Wiring – Gasoline Turf 6 Lighting	6-25
Front Body Electrical Components – Gasoline Turf/Carryall 6	6-27
Headlights	6-29
Electrical Component Box – Gasoline Turf/Carryall 1 Vehicles	6-31
Electrical Component Box – Gasoline Turf/Carryall 2, 252, and 2 XRT	6-33
Electrical Component Box – Gasoline Carryall 2 Plus	6-35
Electrical Component Box – Gasoline Carryall 6	6-37
Electrical Component Box – Gasoline Turf 6	6-39
Controls and Indicators – Turf/Carryall 1, 2, 2 XRT, and 252 Gasoline Vehicles	6-41
Headlight Components – Turf 2, Turf/Carryall 2 XRT, and 252	6-43
Controls and Indicators – Gasoline Carryall 2 Plus	6-45
Controls and Indicators – Gasoline Carryall 6	6-47

CONTENTS

Controls and Indicators – Gasoline Turf 6	6-49
Starter/Generator Assembly Model G425419 – Gasoline Vehicles	6-51
Starter/Generator Mounting – Turf/Carryall 2, 252, 2 XRT, 6, and Carryall 2 Plus Vehicles	6-53
Battery – Gasoline Vehicle	6-55
Electrical Components, Rear Body – Gasoline Turf/Carryall 6	6-57

SECTION 7 – FE290 ENGINE (PEDAL-START VEHICLES)

FE290 Engine – Shrouds and Brackets	7-3
FE290 Engine – Ignition Components and Flywheel	7-5
FE290 Engine – Oil Circulation	7-7
FE290 Engine – Cylinder Head	7-9
FE290 Engine – Crankcase, Camshaft, and Oil Sensor	7-11
FE290 Engine – Crankcase and Crankshaft	7-13
FE290 Engine Mounting – Turf/Carryall 1	7-15

SECTION 8 – FE350 ENGINE WITH ACR (KEY-START VEHICLES)

FE350 Engine with ACR (Automatic Compression Release) – Shrouds and Brackets	8-3
AS11 FE350 Engine – Ignition Components and Flywheel	8-5
FE350 Engine – Oil Circulation	8-7
AS11 FE350 Engine – Cylinder Head	8-9
FE350 Engine with ACR – Crankcase, Camshaft, and Oil Sensor	8-11
AS11 FE350 Engine – Crankcase and Crankshaft	8-13
FE350 Engine Mounting	8-15

SECTION 9 – FE350 ENGINE WITHOUT ACR (PEDAL-START VEHICLES)

AS11 FE350 Engine without ACR (Automatic Compression Release) – Shrouds and Brackets	9-3
AS11 FE350 Engine – Ignition Components and Flywheel	9-5
FE350 Engine – Oil Circulation	9-7
AS11 FE350 Engine – Cylinder Head	9-9
AS11 FE350 Engine without ACR – Crankcase, Camshaft, and Oil Sensor	9-11
AS11 FE350 Engine – Crankcase and Crankshaft	9-13
Engine Mounting – Turf/Carryall 252 and 2 XRT	9-15
FE350 Engine Mounting	9-17

SECTION 10 – FUEL, INTAKE, AND GOVERNOR SYSTEMS

Fuel System – Turf/Carryall 1 and 6	10-3
Fuel System – Turf/Carryall 2, XRT, and Carryall 2 Plus	10-5
Fuel Tank with Fuel Level Sending Unit	10-7

CONTENTS

Carburetor Assembly – FE290	10-9
Carburetor Assembly – FE350	10-11
Carburetor Installation – FE290	10-13
Carburetor Installation – FE350	10-15
Governor and Accelerator Cables	10-17
Air Box and Intake Hose	10-19
Intake System – Turf/Carryall 1	10-21
Intake System – Turf/Carryall 2, 2 XRT, 252, and Carryall 2 Plus	10-23
Intake System – Turf/Carryall 6	10-25

SECTION 11 – EXHAUST SYSTEM

Exhaust System – FE290 Engine	11-3
Exhaust System – FE350 Engine	11-5

SECTION 12 – TORQUE CONVERTER

Drive Clutch – Turf/Carryall 1, 2, 2 XRT, and 252	12-3
Drive Clutch – Carryall 2 Plus, and Turf/Carryall 6	12-5
Drive Belt – FE290	12-7
Drive Belt – FE350	12-9
Driven Clutch – Turf/Carryall 1, 2, 2 XRT, 252, and Turf/Carryall 6	12-11
Driven Clutch – Carryall 2 Plus	12-13

SECTION 13 – UNITIZED TRANSAXLE

Transaxle – Gasoline Vehicles, Gear Cases and Brackets	13-3
Transaxle – Gasoline Vehicles, Transmission and Gear Reduction	13-5
Transaxle – Gasoline Vehicles, Differential and Axles	13-7
Forward/Reverse Shifter Assembly – Gasoline Vehicles	13-9
Forward/Reverse Shifter Cable – Turf/Carryall 1 Vehicles	13-11
Forward/Reverse Shifter Cable – Turf/Carryall 2, and Carryall 2 Plus Vehicles	13-13
Forward/Reverse Shifter Cable – Turf/Carryall 252 and 2 XRT	13-15
Forward/Reverse Shifter Cable – Turf/Carryall 6	13-17

SECTION 14 – ELECTRICAL SYSTEM – ELECTRIC VEHICLES

Wiring – Turf/Carryall 1 PowerDrive	14-5
Wiring – IQ System Electric Turf/Carryall 1	14-9
Wiring – PowerDrive Electric Turf/Carryall 2	14-13
Headlights	14-15
Wiring – PowerDrive Electric Carryall 6	14-19

CONTENTS

Front Body Electrical Components – Carryall 6 PowerDrive Vehicles	14-21
Instrument Panel Components – Turf/Carryall 1 and 2	14-23
Headlight Components – Turf 2	14-25
Instrument Panel Components – Carryall 6 PowerDrive Vehicle	14-27
Motor Controller Output Regulator (MCOR)	14-29
Forward/Reverse Switch – PowerDrive	14-31
Forward/Reverse Switch and Tow/Run Switch – IQ System Turf/Carryall 1	14-33
Battery Charger Receptacle	14-35
Center Body Electrical Components – Carryall 6 PowerDrive	14-37
Center Body Electrical Components, Continued – Carryall 6 PowerDrive	14-39
Batteries – Turf/Carryall 2 PowerDrive Vehicles	14-41
Batteries – Turf/Carryall 1 with 6 8-Volt Batteries	14-43
OBC, Controller, and Solenoid – Electric Vehicle	14-45
Computer, Controller, and Solenoid, Turf/Carryall 1 IQ System Vehicles	14-47
Computer, Controller, and Solenoid – Turf/Carryall 2 PowerDrive Vehicles	14-49
Hour Meter – Turf 1 Vehicles	14-51
Hour Meter – Turf 2 Vehicles	14-53
Electrical Components, Rear Body – Carryall 6 PowerDrive	14-55
Rear Reverse Buzzer – Carryall 6	14-57

SECTION 15 – ELECTRIC MOTOR

Motor (Model 5BC59JBS6360) – PowerDrive	15-3
Motor (Model 5BC59JBS6365) – Electric Vehicle	15-5
Motor (Model 5BC59JBS6390) – Electric Vehicle	15-7
Motor (Model EJ4-4001) – Electric Vehicle	15-9
Motor (Model EJ8-4001A) – Electric Vehicle	15-11

SECTION 16 – TRANSAXLE – ELECTRIC VEHICLES

Transaxle – Electric Vehicles	16-3
Transaxle – Electric Vehicles	16-5

SECTION 17 – BATTERY CHARGER

PowerDrive 3 Battery Charger, Domestic	17-3
PowerDrive Battery Charger (Model 17930), Domestic	17-5
PowerDrive Battery Charger (Model 18780), Export	17-7
PowerDrive Battery Charger (Model 20310), European	17-9
Onboard PowerDrive Battery Charger (Model 17935), Domestic	17-11
Onboard PowerDrive Battery Charger (Model 17790), Export	17-13

CONTENTS

SECTION 18 – MAINTENANCE AND SERVICE TOOLS

Maintenance and Service Tools	18-3
Maintenance and Service Tools, Continued	18-5
Maintenance and Service Tools, Continued	18-7
Maintenance and Service Tools, Continued	18-9
Maintenance and Service Tools, Continued	18-11

SECTION i – INDEX

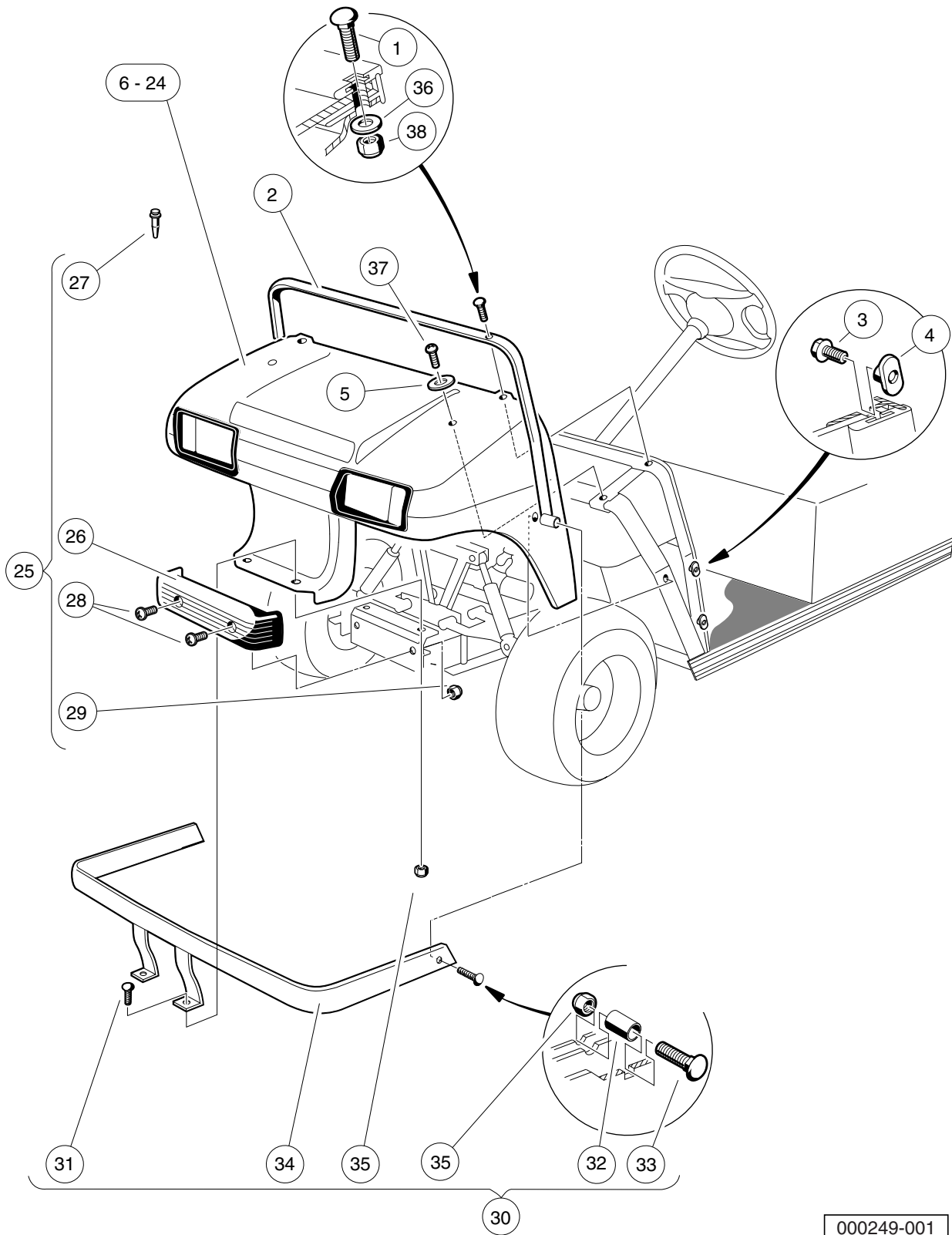
BODY AND TRIM

1

G

E

1
G
E



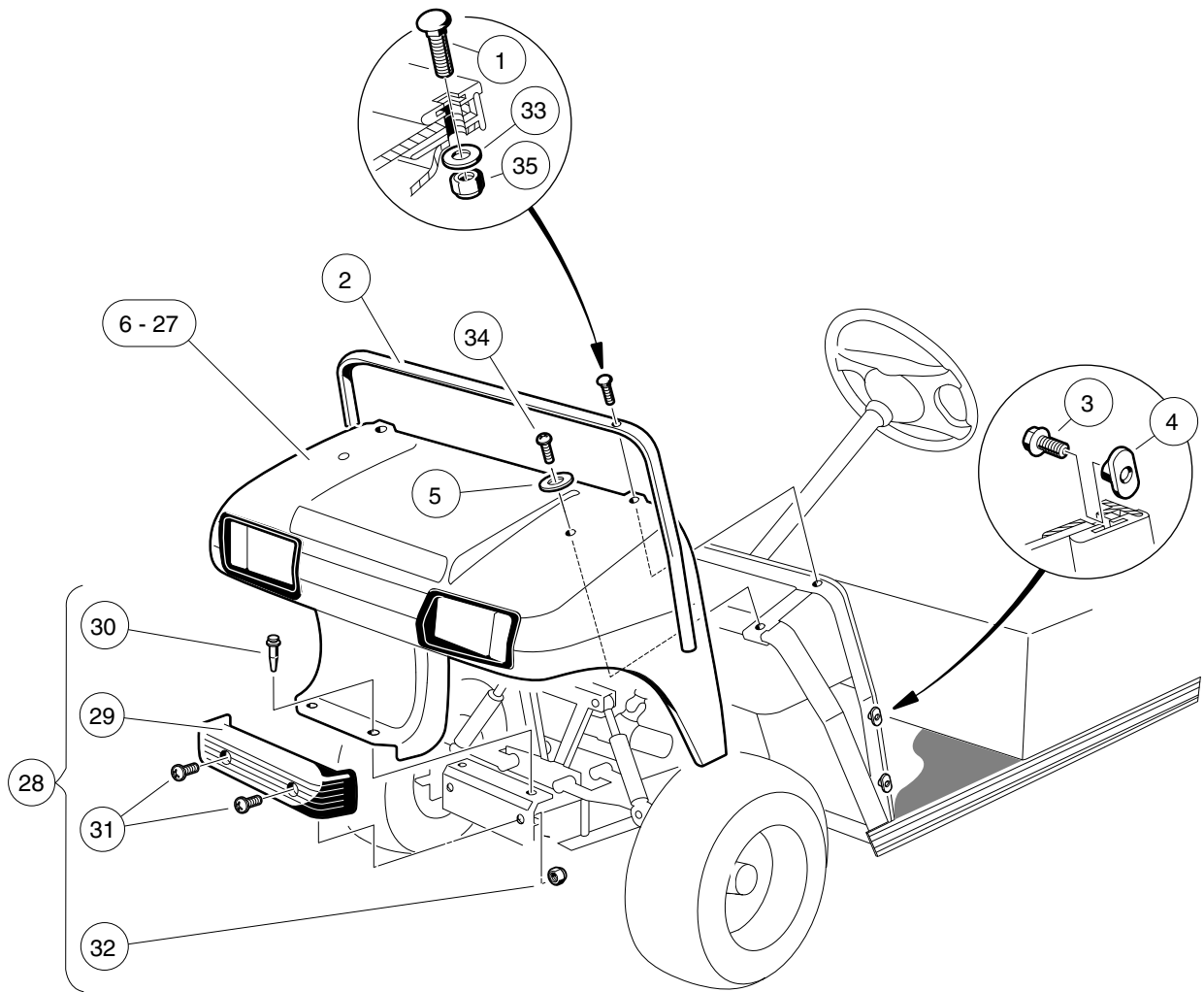
000249-001

FRONT BODY AND TRIM – TURF 1

ITEM	PART NO.	DESCRIPTION	QTY
		1 2 3 4	
1	1010435	Bolt, Carriage, 5/16-18 X 1.00	2
2	1011014	Trim, Cowl	1
3	1011017	Screw, #8-32 X 0.375	6
4	1011394	T-Nut Package (Set of 4)	1
5	1015075	Washer, 5/16 Flat Type A	2
6	101692501	Cowl, TPO, Beige	1
7	101692502	Cowl, TPO, White	1
8	101692506	Cowl, TPO, Red	1
9	101692509	Cowl, TPO, Pacific Blue (Royal Blue)	1
10	101692510	Cowl, TPO, Dark Green	1
11	101692511	Cowl, TPO, Black	1
12	101692512	Cowl, TPO, Classic Blue (Navy)	1
13	101692513	Cowl, TPO, Burgundy	1
14	101692514	Cowl, TPO, Dark Gray	1
15	101692515	Cowl, TPO, Safety Yellow	1
16	101693901	Cowl with Headlight Opening, TPO, Beige	1
17	101693902	Cowl with Headlight Opening, TPO, White	1
18	101693906	Cowl with Headlight Opening, TPO, Red	1
19	101693909	Cowl with Headlight Opening, TPO, Dark Green	1
20	101693910	Cowl with Headlight Opening, TPO, Black	1
21	101693911	Cowl with Headlight Opening, TPO, Classic Blue (Navy)	1
22	101693912	Cowl with Headlight Opening, TPO, Burgundy	1
23	101693913	Cowl with Headlight Opening, TPO, Dark Gray	1
24	101693914	Cowl with Headlight Opening, TPO, Safety Yellow	1
25	1017080	Kit, Front Bumper (includes items 26 through 29)	1
26	1016868	Front Bumper	1
27	1016967	Blind Rivet, Push Type	2
28	7251	Screw, 5/16-18 x 1.0 Truss-Head	2
29	7473	Locknut, 5/16-18 Nylon Insert	2
30	101734802	Kit, Heavy-Duty Bumper (includes items 31 through 35)	1
31	1010435	Bolt, Carriage, 5/16-18 X 1.00	2
32	1010546	Spacer	2
33	1015405	Bolt, Carriage, 5/16-18 X 2.0	2
34	N/A	Weldment, Heavy Duty Bumper	1
35	7473	Locknut, 5/16-18 Nylon Insert	4
36	1241	Washer, 5/16 Type A Flat	2
37	7251	Screw, 5/16-18 x 1.0 Truss-Head	2
38	7473	Locknut, 5/16-18 Nylon Insert	2

1
G
E

1
G
E

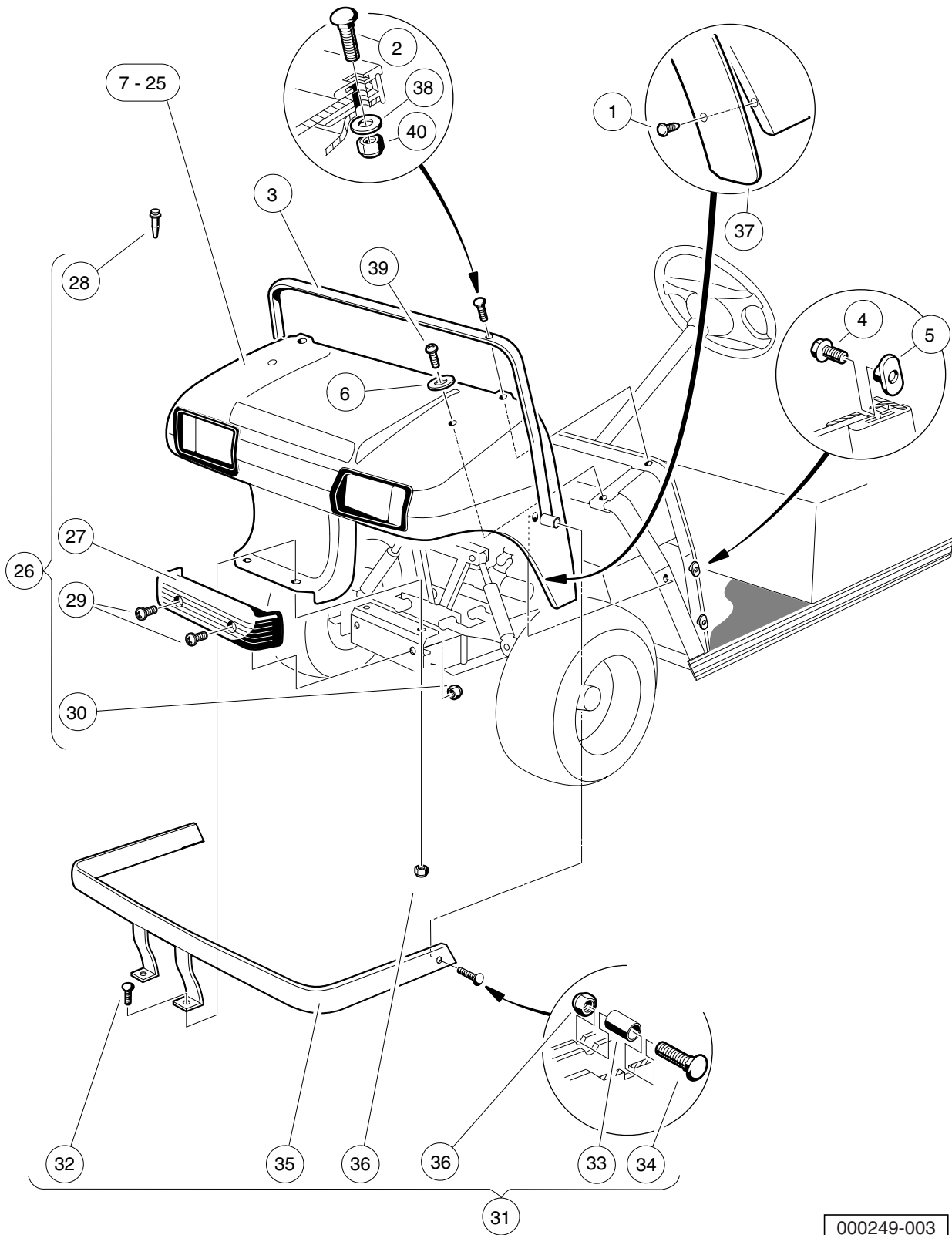


000249-002

FRONT BODY AND TRIM – CARRYALL 1

ITEM	PART NO.	DESCRIPTION	QTY	
		1 2 3 4		1
1	1010435	Bolt, Carriage, 5/16-18 X 1.00	2	G
2	1011014	Trim, Cowl	1	E
3	1011017	Screw, #8-32 X 0.375	6	
4	1011394	T-Nut Package (Set of 4)	1	
5	1015075	Washer, 5/16 Flat Type A	2	
6	101692501	Cowl, TPO, Beige	1	
7	101692502	Cowl, TPO, White	1	
8	101692504	Cowl, Tpo -gray	1	
9	101692506	Cowl, TPO, Red	1	
10	101692509	Cowl, TPO, Pacific Blue (Royal Blue)	1	
11	101692510	Cowl, TPO, Dark Green	1	
12	101692511	Cowl, TPO, Black	1	
13	101692512	Cowl, TPO, Classic Blue (Navy)	1	
14	101692513	Cowl, TPO, Burgundy	1	
15	101692514	Cowl, TPO, Dark Gray	1	
16	101692515	Cowl, TPO, Safety Yellow	1	
17	101693901	Cowl with Headlight Opening, TPO, Beige	1	
18	101693902	Cowl with Headlight Opening, TPO, White	1	
19	101693904	Cowl with Headlight Opening, TPO, Gray	1	
20	101693906	Cowl with Headlight Opening, TPO, Red	1	
21	101693908	Cowl with Headlight Opening, TPO, Pacific Blue (Royal Blue)	1	
22	101693909	Cowl with Headlight Opening, TPO, Dark Green	1	
23	101693910	Cowl with Headlight Opening, TPO, Black	1	
24	101693911	Cowl with Headlight Opening, TPO, Classic Blue (Navy)	1	
25	101693912	Cowl with Headlight Opening, TPO, Burgundy	1	
26	101693913	Cowl with Headlight Opening, TPO, Dark Gray	1	
27	101693914	Cowl with Headlight Opening, TPO, Safety Yellow	1	
28	1017080	Kit, Front Bumper (includes items 29 through 32)	1	
29	1016868	Front Bumper	1	
30	1016967	Blind Rivet, Push Type	2	
31	7251	Screw, 5/16-18 x 1.0 Truss-Head	2	
32	7473	Locknut, 5/16-18 Nylon Insert	2	
33	1241	Washer, 5/16 Type A Flat	2	
34	7251	Screw, 5/16-18 x 1.0 Truss-Head	2	
35	7473	Locknut, 5/16-18 Nylon Insert	2	

1
G
E



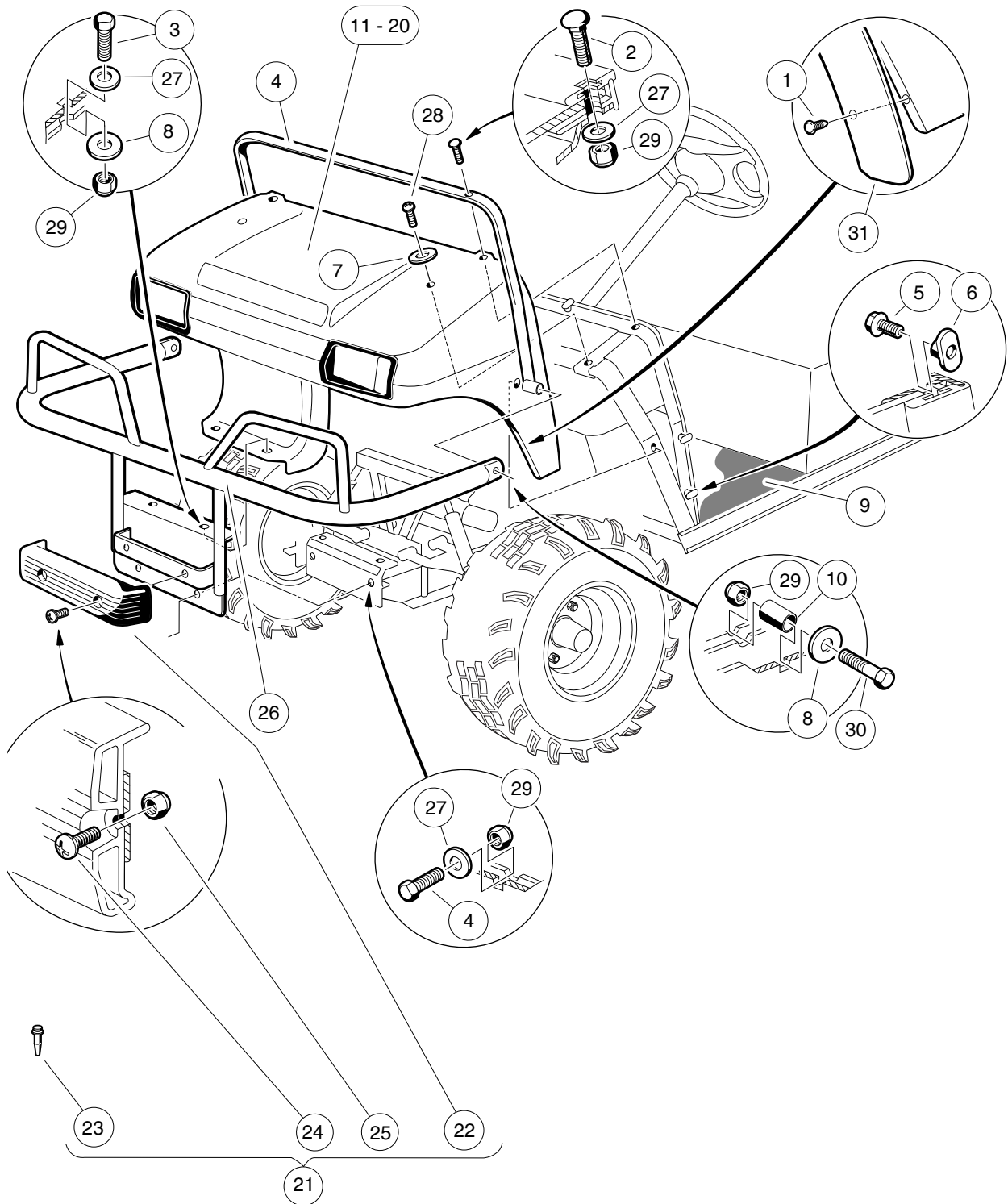
000249-003

FRONT BODY AND TRIM – TURF/CARRYALL 2, CARRYALL 2 PLUS, AND CARRYALL 6

ITEM	PART NO.	DESCRIPTION	QTY
		1 2 3 4	
1	1010434	Barrel - Plastic	12
2	1010435	Bolt, Carriage, 5/16-18 X 1.00	2
3	1011014	Trim, Cowl	1
4	1011017	Screw, #8-32 X 0.375	6
5	1011394	T-Nut Package (Set of 4)	1
6	1015075	Washer, 5/16 Flat Type A	2
7	101692501	Cowl, TPO, Beige	1
8	101692502	Cowl, TPO, White	1
9	101692506	Cowl, TPO, Red	1
10	101692509	Cowl, TPO, Pacific Blue (Royal Blue)	1
11	101692510	Cowl, TPO, Dark Green	1
12	101692511	Cowl, TPO, Black	1
13	101692512	Cowl, TPO, Classic Blue (Navy)	1
14	101692513	Cowl, TPO, Burgundy	1
15	101692514	Cowl, TPO, Dark Gray	1
16	101692515	Cowl, TPO, Safety Yellow	1
17	101693901	Cowl with Headlight Opening, TPO, Beige	1
18	101693902	Cowl with Headlight Opening, TPO, White	1
19	101693906	Cowl with Headlight Opening, TPO, Red	1
20	101693909	Cowl with Headlight Opening, TPO, Dark Green	1
21	101693910	Cowl with Headlight Opening, TPO, Black	1
22	101693911	Cowl with Headlight Opening, TPO, Classic Blue (Navy)	1
23	101693912	Cowl with Headlight Opening, TPO, Burgundy	1
24	101693913	Cowl with Headlight Opening, TPO, Dark Gray	1
25	101693914	Cowl with Headlight Opening, TPO, Safety Yellow	1
26	1017080	Kit, Front Bumper (includes items 27 through 30)	1
27	1016868	Front Bumper	1
28	1016967	Blind Rivet, Push Type	2
29	7251	Screw, 5/16-18 x 1.0 Truss-Head	2
30	7473	Locknut, 5/16-18 Nylon Insert	2
31	101734802	Kit, Heavy-Duty Bumper (includes items 32 through 36)	1
32	1010435	Bolt, Carriage, 5/16-18 X 1.00	2
33	1010546	Spacer	2
34	1015405	Bolt, Carriage, 5/16-18 X 2.0	2
35	N/A	Weldment, Heavy Duty Bumper	1
36	7473	Locknut, 5/16-18 Nylon Insert	4
37	101870401	Fender Extrusion	2
38	1241	Washer, 5/16 Type A Flat	2
39	7251	Screw, 5/16-18 x 1.0 Truss-Head	2
40	7473	Locknut, 5/16-18 Nylon Insert	2

1
G
E

1
G
E



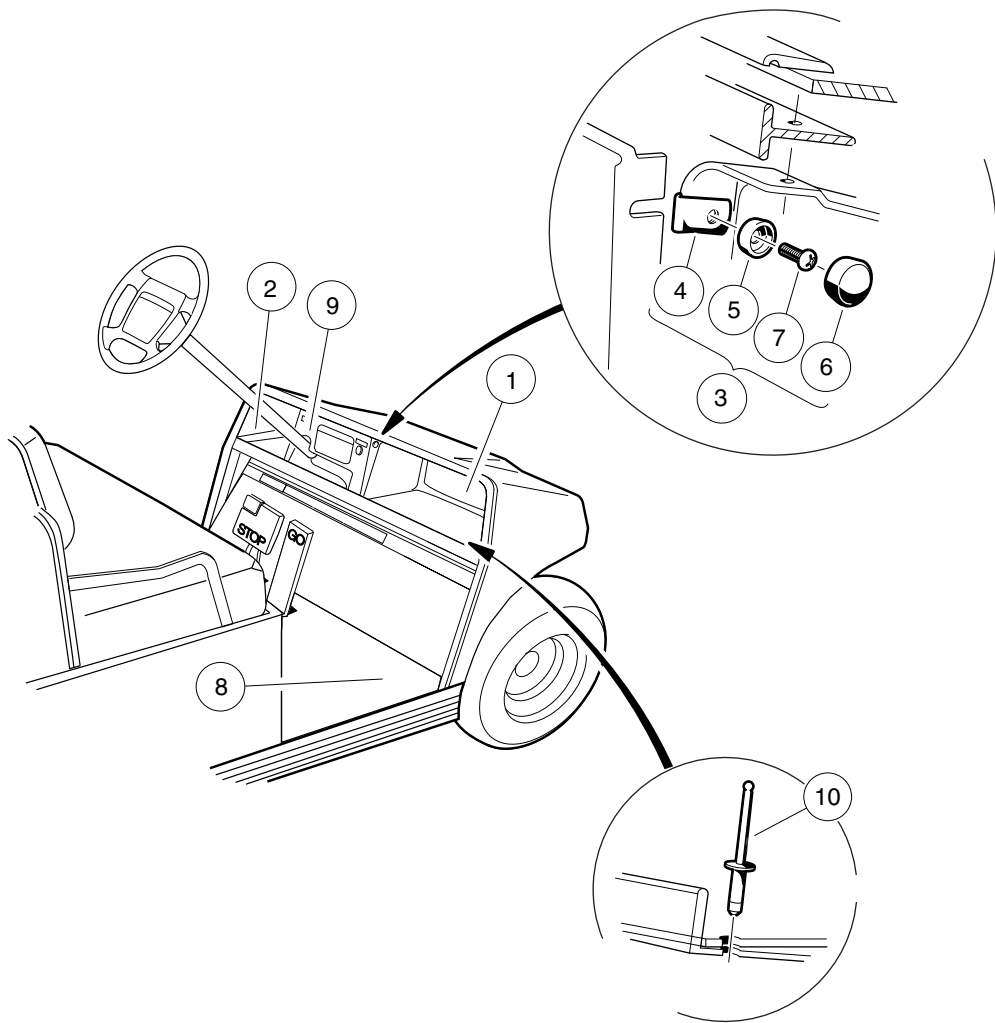
000249-004

FRONT BODY AND TRIM – TURF/CARRYALL 252, TURF/ CARRYALL 2 XRT

ITEM	PART NO.	DESCRIPTION	QTY
		1 2 3 4	
1	1010434	Barrel - Plastic	12
2	1010435	Bolt, Carriage, 5/16-18 X 1.00	2
3	1010934	Screw, 5/16-18 X 1.00 Hex Cap	4
4	1011014	Trim, Cowl	1
5	1011017	Screw, #8-32 X 0.375	6
6	1011394	T-Nut Package (Set of 4)	1
7	1011578	Washer, 5/16 Type B Flat	4
8	101503202	Floormat	1
9	1015075	Washer, 5/16 Flat Type A	2
10	1015608	Tube Spacer, Hydraulic Cylinder	2
11	101693901	Cowl with Headlight Opening, TPO, Beige	1
12	101693902	Cowl with Headlight Opening, TPO, White	1
13	101693906	Cowl with Headlight Opening, TPO, Red	1
14	101693908	Cowl with Headlight Opening, TPO, Pacific Blue (Royal Blue)	1
15	101693909	Cowl with Headlight Opening, TPO, Dark Green	1
16	101693910	Cowl with Headlight Opening, TPO, Black	1
17	101693911	Cowl with Headlight Opening, TPO, Classic Blue (Navy)	1
18	101693912	Cowl with Headlight Opening, TPO, Burgundy	1
19	101693913	Cowl with Headlight Opening, TPO, Dark Gray	1
20	101693914	Cowl with Headlight Opening, TPO, Safety Yellow	1
21	1017080	Kit, Front Bumper (includes items 22 through 25)	1
22	1016868	Front Bumper	1
23	1016967	Blind Rivet, Push Type	2
24	7251	Screw, 5/16-18 x 1.0 Truss-Head	2
25	7473	Locknut, 5/16-18 Nylon Insert	2
26	102004301	Brush Guard	1
27	1241	Washer, 5/16 Type A Flat	6
28	7251	Screw, 5/16-18 x 1.0 Truss-Head	2
29	7473	Locknut, 5/16-18 Nylon Insert	8
30	8935	Screw, 5/16-18 X 2.25 Hex-Head Cap	2
31	AM10808	Front Fender Extrusion - Lynx	2

1
G
E

1
G
E



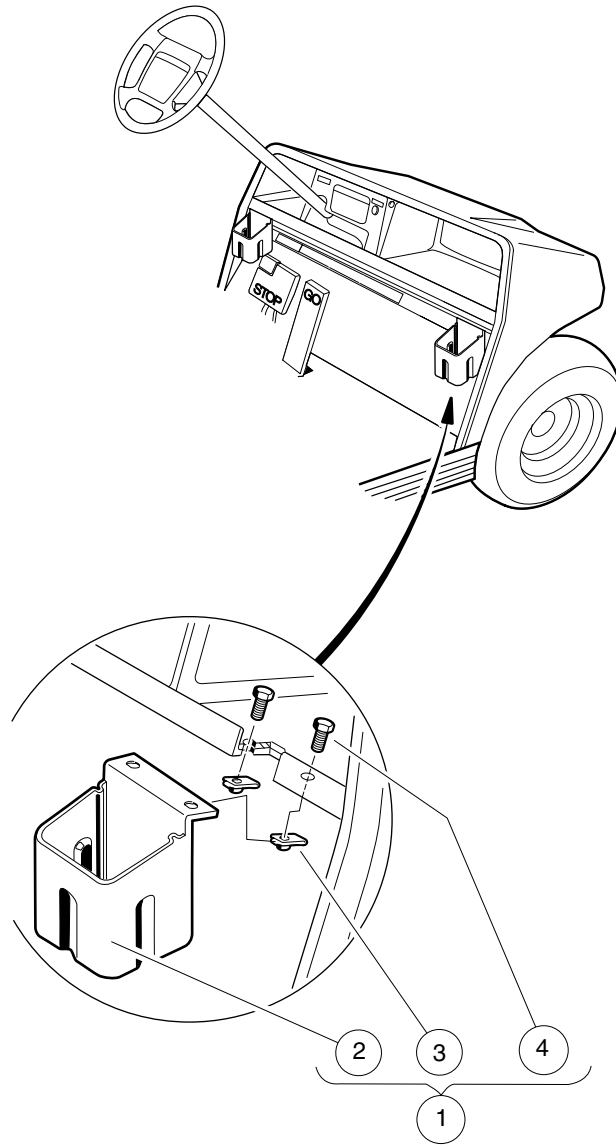
000252-001

DASH COMPONENTS

ITEM	PART NO.	DESCRIPTION	QTY
		1 2 3 4	
1	1013343	Dash Component, Passenger-Side, Black	1
2	1013344	Dash Component, Driver-Side	1
3	1014645	Snap Washer Kit, Black (includes items 4 through 7)	2
4	1011019	Nut, Speed	1
5	1011382	Washer, #10 Pan-Head Screw	1
6	1013494	Cover, Screw Head	1
7	1620	Screw, #10-16 X 0.75 Pan-Head Tap	1
8	101503202	Floormat	1
9	101660404	Dash Panel, Black Center	1
10	7973	Rivet, 3/16 X .400 Blind	5

1
G
E

1
G
E

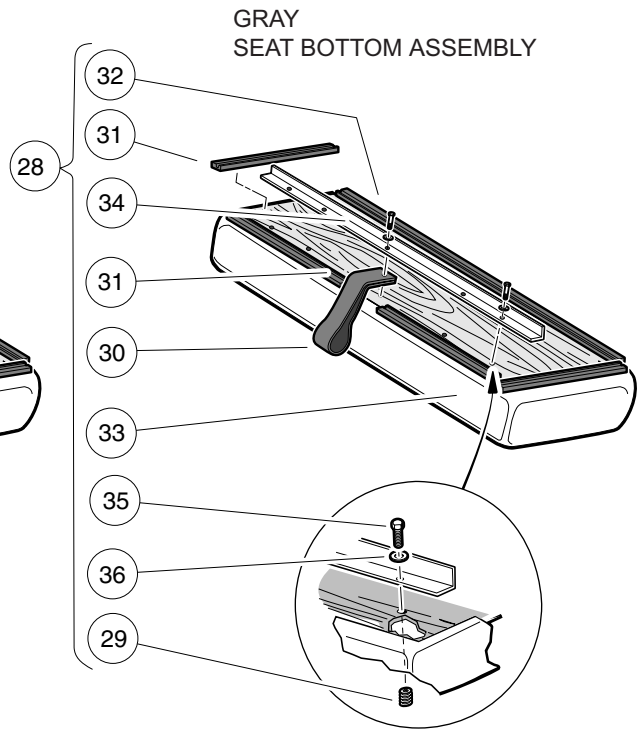
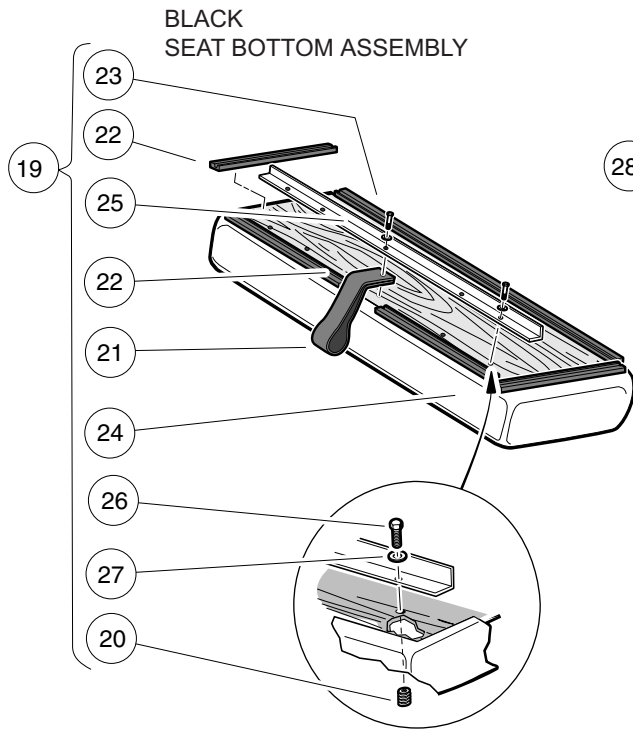
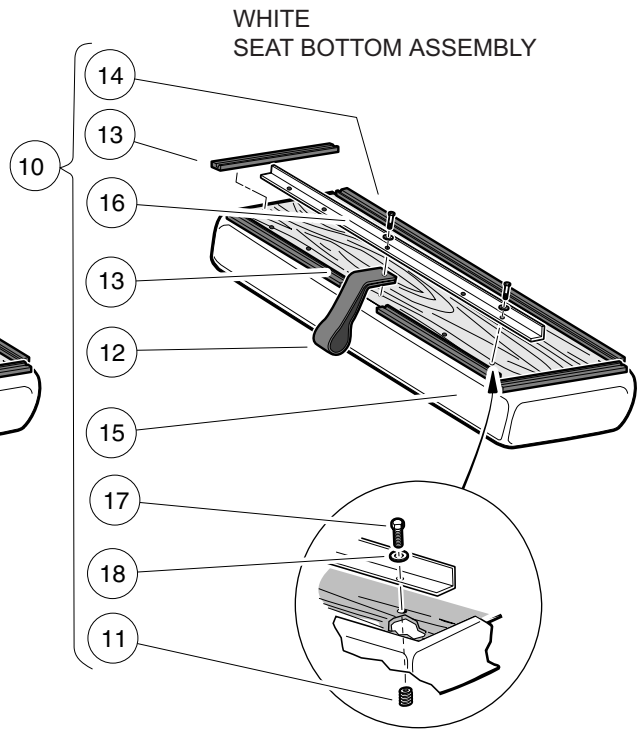
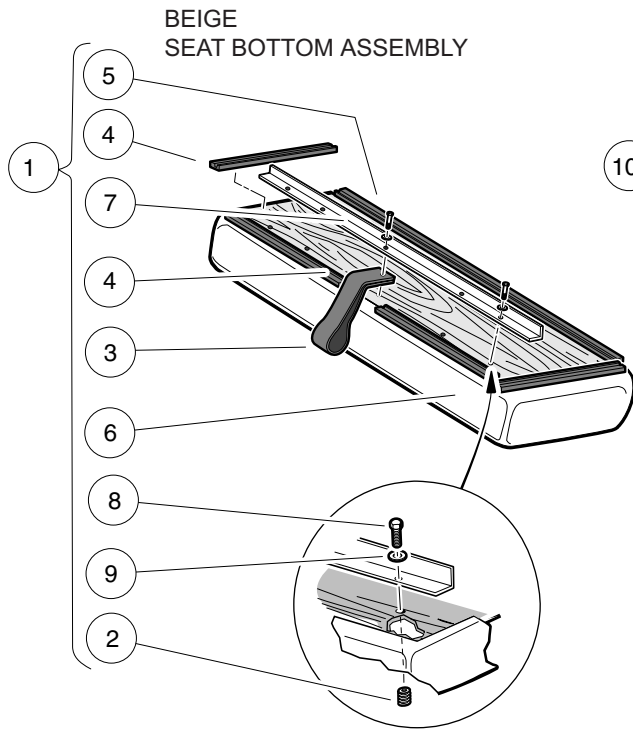


000253-001

BEVERAGE HOLDER

ITEM	PART NO.	DESCRIPTION	QTY
		1 2 3 4	
1	1013422	Cup Holder Kit (includes items 2 through 4)	2
2	1013420	Holder, Single Cup	1
3	1016952	U-Nut, 1/4-20	2
4	7847	Screw, 1/4-20 X 0.75 Hex-Head Cap	2

1
G
E



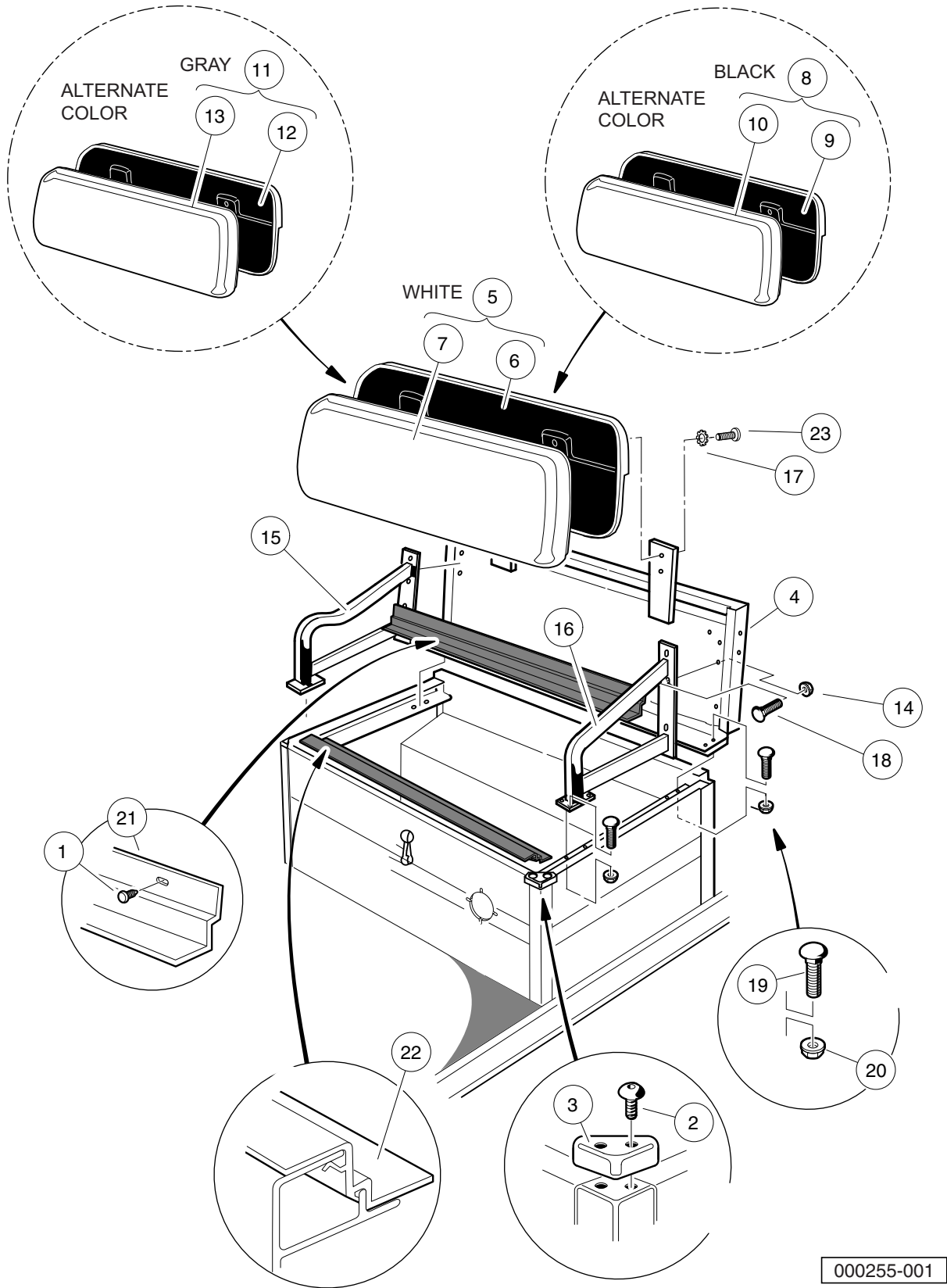
000254-001

SEAT BOTTOM

ITEM	PART NO.	DESCRIPTION	QTY
		1 2 3 4	
1	101564501	Seat Bottom Assembly, Beige (includes items 2 through 9)	1
2	1010543	Insert - Wood	5
3	1013309	Strap, Utility Seat	1
4	1013311	Bumper, Seat, Short	4
5	1013312	Bumper, Seat, Long	1
6	101562711	Vinyl Cover, Seat Bottom, Buff	1
7	101894303	Stiffener	1
8	101954301	Screw, 1/4-20 X 0.75 Hex-Head Cap	5
9	332	Washer, 1/4 Type A Narrow Flat	5
10	101564502	Seat Bottom Assembly, White (includes items 11 through 18)	1
11	1010543	Insert - Wood	5
12	1013309	Strap, Utility Seat	1
13	1013311	Bumper, Seat, Short	4
14	1013312	Bumper, Seat, Long	1
15	101562712	Vinyl Cover, Seat Bottom, White	1
16	101894303	Stiffener	1
17	101954301	Screw, 1/4-20 X 0.75 Hex-Head Cap	5
18	332	Washer, 1/4 Type A Narrow Flat	5
19	101564503	Seat Bottom Assembly, Black (includes items 20 through 27)	1
20	1010543	Insert - Wood	5
21	1013309	Strap, Utility Seat	1
22	1013311	Bumper, Seat, Short	4
23	1013312	Bumper, Seat, Long	1
24	101562714	Vinyl Cover, Seat Bottom, Black	1
25	101894303	Stiffener	1
26	101954301	Screw, 1/4-20 X 0.75 Hex-Head Cap	5
27	332	Washer, 1/4 Type A Narrow Flat	5
28	101564505	Seat Bottom Assembly, Gray (includes items 29 through 36)	1
29	1010543	Insert - Wood	5
30	1013309	Strap, Utility Seat	1
31	1013311	Bumper, Seat, Short	4
32	1013312	Bumper, Seat, Long	1
33	101562715	Vinyl Cover, Seat Bottom, Gray	2
34	101894303	Stiffener	1
35	101954301	Screw, 1/4-20 X 0.75 Hex-Head Cap	5
36	332	Washer, 1/4 Type A Narrow Flat	5

1
G
E

1
G
E



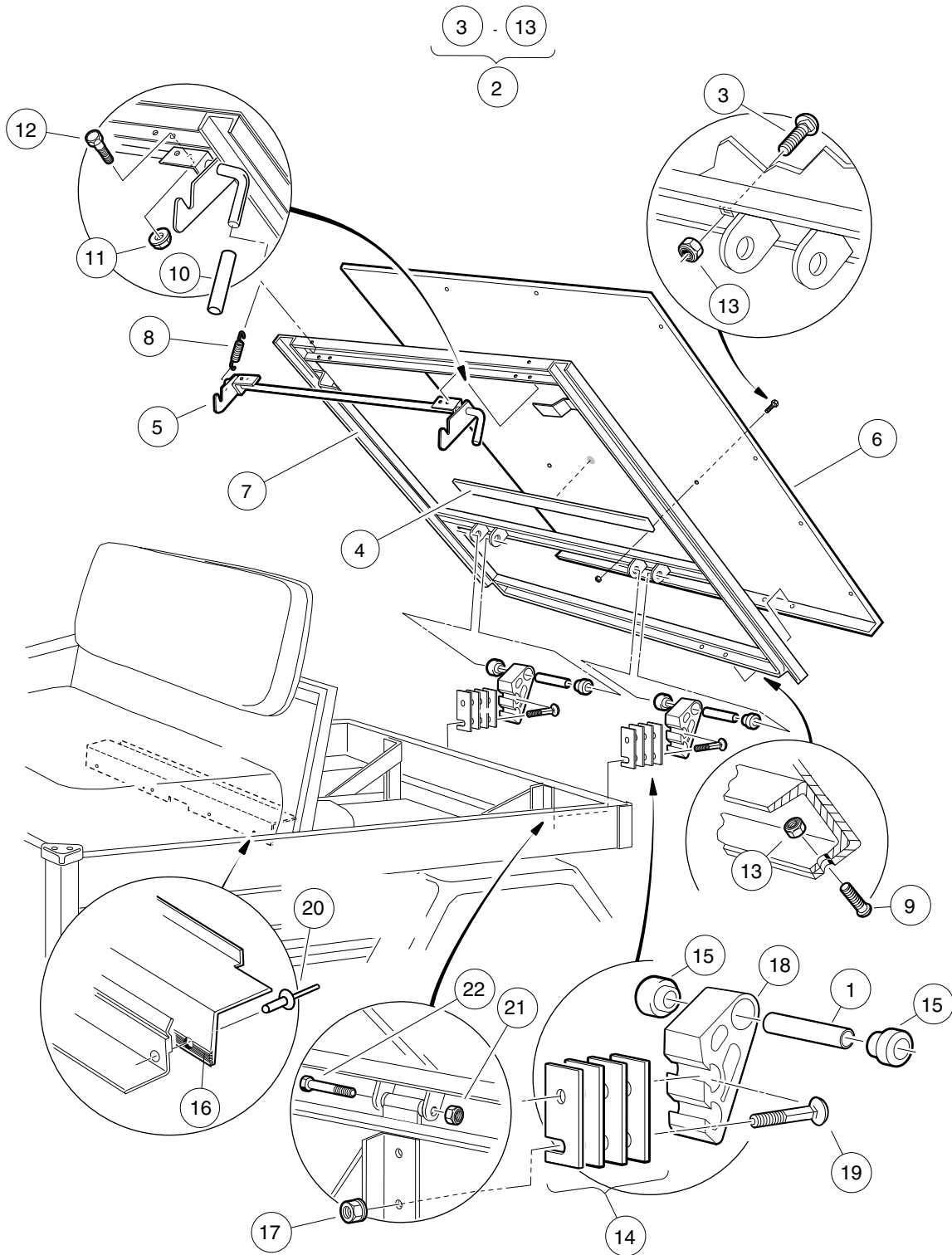
000255-001

SEAT BACK AND SUPPORT STRUCTURE

ITEM	PART NO.	DESCRIPTION	QTY
		1 2 3 4	
1	1010434	Barrel - Plastic	5
2	1014321	Screw, #10 Truss-Head Torx	4
3	1014387	Cap, Corner	2
4	1016723	Seat Support Panel Assembly	1
5	101677701	Seat Back Assembly, White (includes items 6 and 7)	1
6	1016751	Cap, Seat Back	1
7	101675512	Vinyl Seat Back, White	1
8	101677702	Seat Back Assembly, Black (includes items 9 and 10)	1
9	1016751	Cap, Seat Back	1
10	101675514	Vinyl Seat Back, Black	1
11	101677705	Seat Back Assembly, Gray (includes items 12 and 13)	1
12	1016751	Cap, Seat Back	1
13	101675515	Vinyl Seat Back-nstd Svc	1
14	101835601	Locknut, 1/4-20 Hex Whiz	10
15	101888501	Armrest Weldment, Passenger-Side	1
16	101888502	Armrest Weldment, Driver-Side	1
17	101946201	Washer, Lock, 0.250 External-Tooth	4
18	101958601	Carriage Bolt, 1/4-20 X 0.75	10
19	101963301	Bolt, 5/16-18 X 0.75 Round-Head	4
20	101963401	Locknut, 5/16-18 Hex Flange	4
21	101963901	Trim, Seat Bottom Rear	1
22	101964001	Trim, Seat Bottom Front	1
23	8251	Screw, 1/4-20 X 1.0 Truss-Head Machine	4
<p>Note: Sub-components contained in items 8 and 11 are the same as those shown for item 5, except for the vinyl seat covers.</p>			

1
G
E

1
G
E



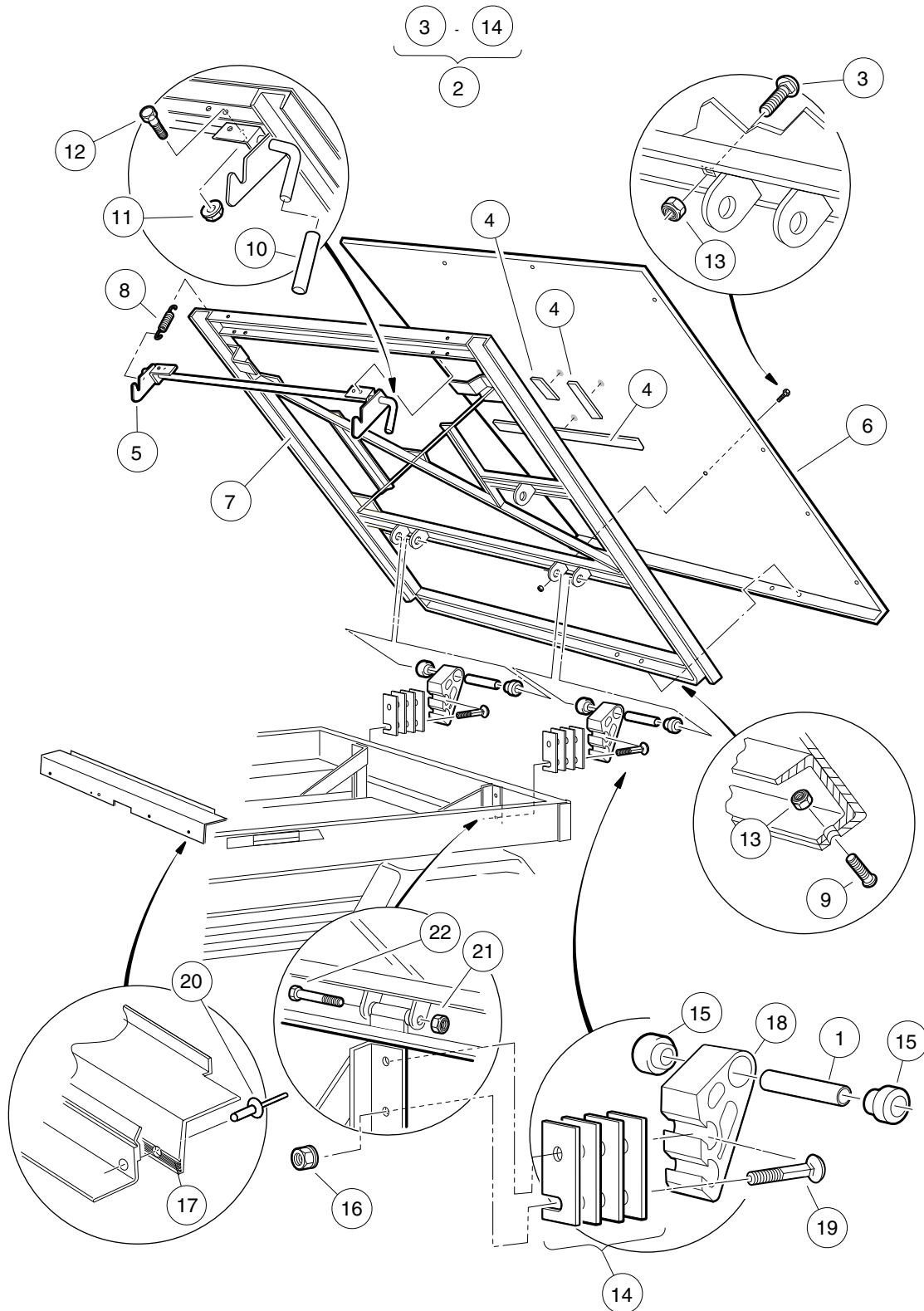
000256-002

TILT BED, HINGE, AND LATCH – TURF/CARRYALL 1

ITEM	PART NO.	DESCRIPTION	QTY
		1 2 3 4	
1	1012303	Bushing, Steel	2
2	1015427	Tilt Bed, Carryall 1 (includes items 3 through 13)	1
3	1010435	Bolt, Carriage, 5/16-18 X 1.00	2
4	1014471	Tape, Vinyl Foam 1/8" x 3/4" *	1
5	1015252	Latch Weld Assembly	1
6	N/A	Plate, Floor, Carryall 1 Flat bed	1
7	N/A	Frame Assembly, Tilt Bed	1
8	N/A	Extension, Spring Latch	2
9	1015399	Screw, 5/16-18 X 0.88 Torx Truss-Head	4
10	1015400	Grip, Tilt Latch Hand	1
11	101835601	Locknut, 1/4-20 Hex Whiz	4
12	403	Screw, 1/4-20 X 0.625 Hex-Head Cap	4
13	7473	Locknut, 5/16-18 Nylon Insert	6
14	1015507	Shim, Tilt Bed Pivot	1
15	1015583	Bushing, Urethane	4
16	1017976	Bed Seal	1
17	102065901	Locknut, 3/8-16 Flanged Dimple	4
18	103538701	Extra, Bracket, Hinge, Bed	2
19	103538901	3/8-16 X 3.5 Carr Blt Gr5 Zn	4
20	7532	Rivet, 3/16 X 0.3125, Pop	4
21	8754	Locknut, 3/8-16 Hex	2
22	8755	Screw, 3/8-16 X 3.375 Hex Cap	2
		* Note: Item not shown.	

1
G
E

1
G
E



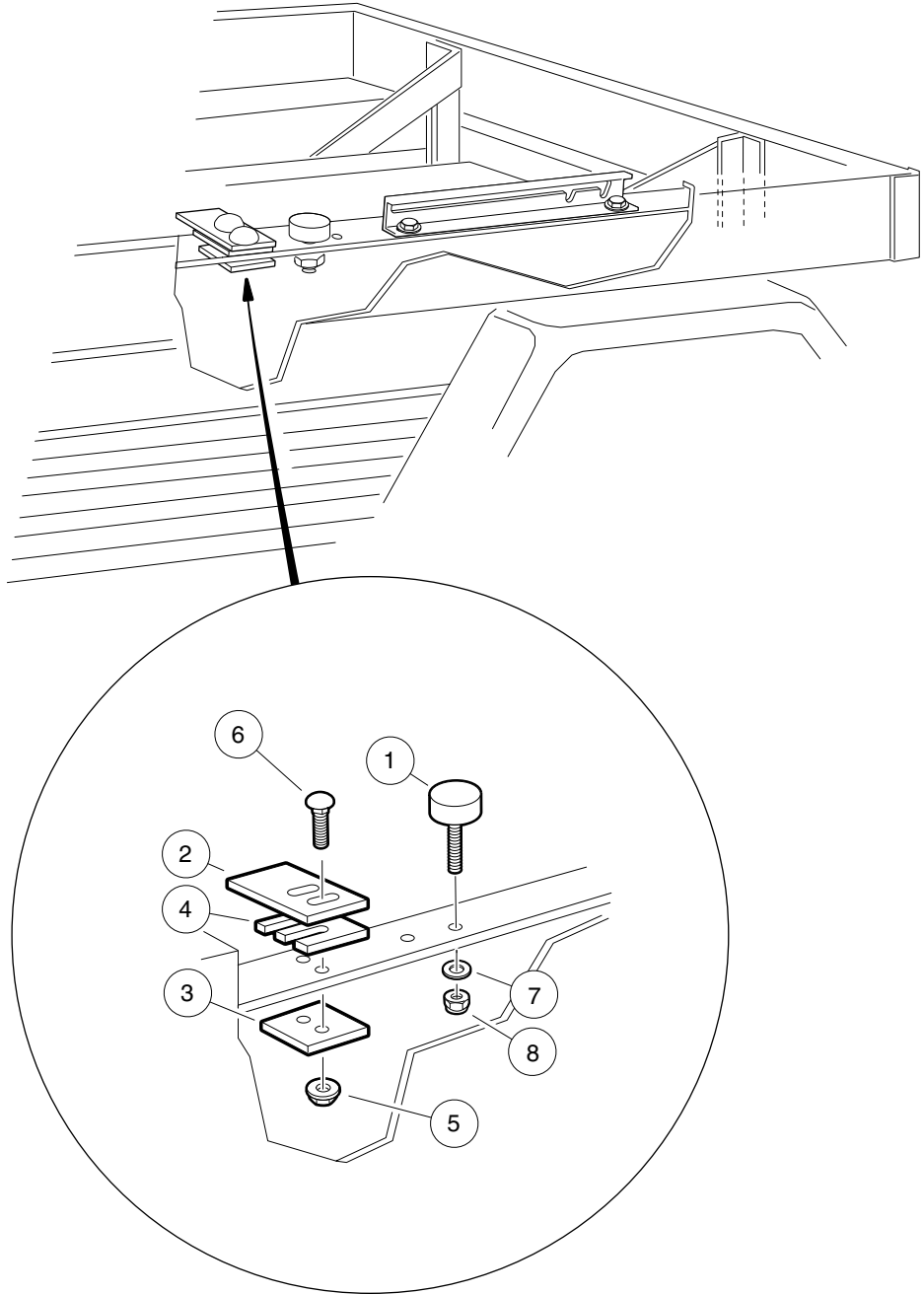
000257-003

TILT BED, HINGE, AND LATCH – TURF/CARRYALL 2, 252, 2 XRT, AND CARRYALL 2 PLUS

ITEM	PART NO.	DESCRIPTION	QTY
		1 2 3 4	
1	1012303	Bushing, Steel	2
2	101542901	Assembly, Tilt Bed (includes items 3 through 13)	1
3	1010435	Bolt, Carriage, 5/16-18 X 1.00	4
4	1014471	Tape, Vinyl Foam 1/8" x 3/4" *	1
5	1015252	Latch Weld Assembly	1
6	1015258	Plate, Floor Bed	1
7	N/A	Frame Assembly	1
8	N/A	Extension, Spring Latch	2
9	1015399	Screw, 5/16-18 X 0.88 Torx Truss-Head	4
10	1015400	Grip, Tilt Latch Hand	1
11	101835601	Locknut, 1/4-20 Hex Whiz	4
12	403	Screw, 1/4-20 X 0.625 Hex-Head Cap	4
13	7473	Locknut, 5/16-18 Nylon Insert	8
14	1015507	Shim, Tilt Bed Pivot	1
15	1015583	Bushing, Urethane	4
16	1017976	Bed Seal	1
17	102065901	Locknut, 3/8-16 Flanged Dimple	4
18	103538701	Extra, Bracket, Hinge, Bed	2
19	103538901	3/8-16 X 3.5 Carr Blt Gr5 Zn	4
20	7532	Rivet, 3/16 X 0.3125, Pop	1
21	8754	Locknut, 3/8-16 Hex	2
22	8755	Screw, 3/8-16 X 3.375 Hex Cap	2
		* Note: Item not shown.	

1
G
E

1
G
E

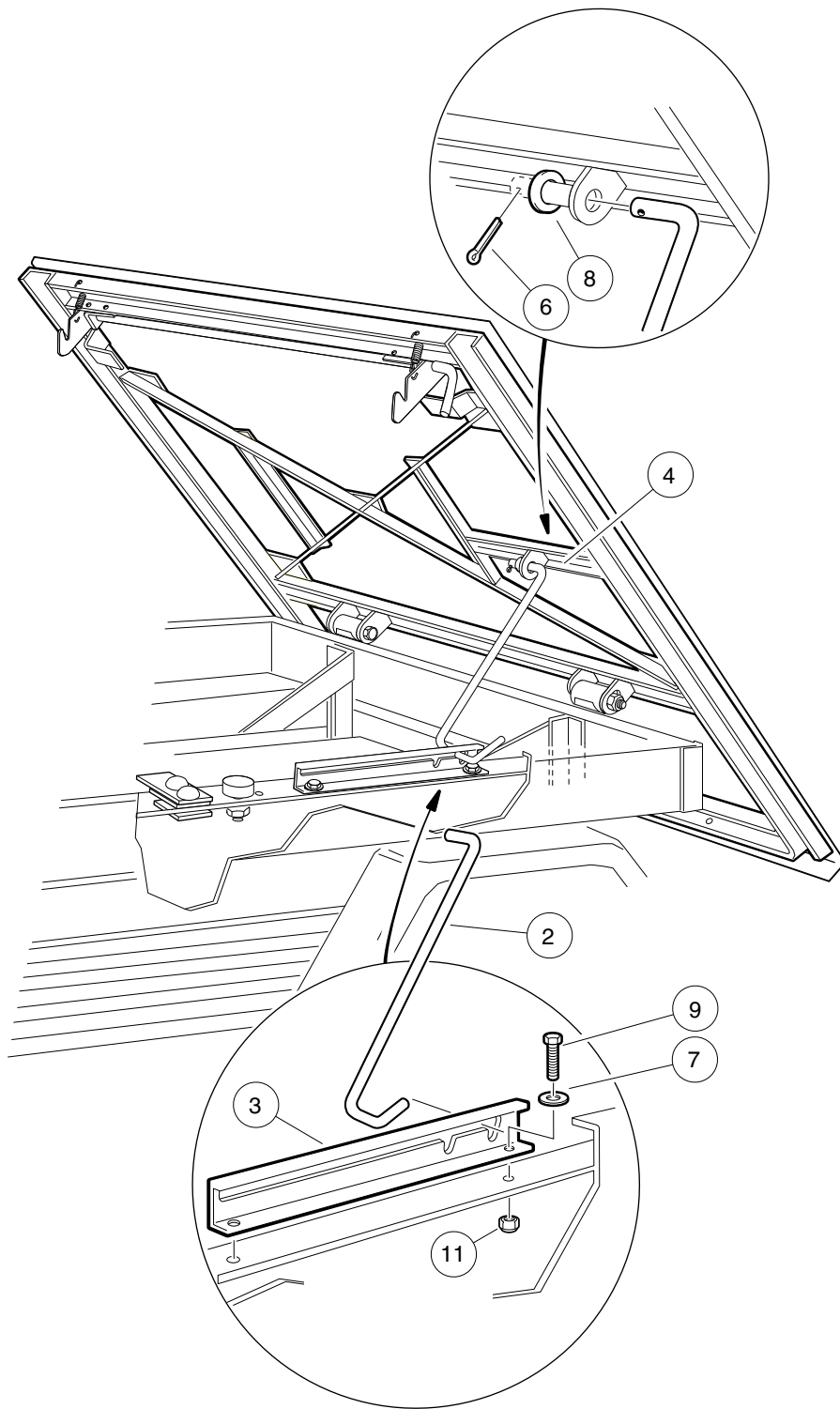


000258-002

LATCH PLATE – TURF/CARRYALL 1, 2, 252, 2 XRT, AND CARRYALL 2 PLUS

ITEM	PART NO.	DESCRIPTION	QTY
		1 2 3 4	
1	1010878	Bumper, Rubber	2
2	1015277	Latch Plate, Tilt Bed	2
3	1016060	Plate, Latch Support	2
4	1016078	Latch Plate Shim	1
5	101835601	Locknut, 1/4-20 Hex Whiz	4
6	101958601	Carriage Bolt, 1/4-20 X 0.75	4
7	332	Washer, 1/4 Type A Narrow Flat	4
8	8233	Locknut, 1/4-20 Nylon Insert	4

1
G
E



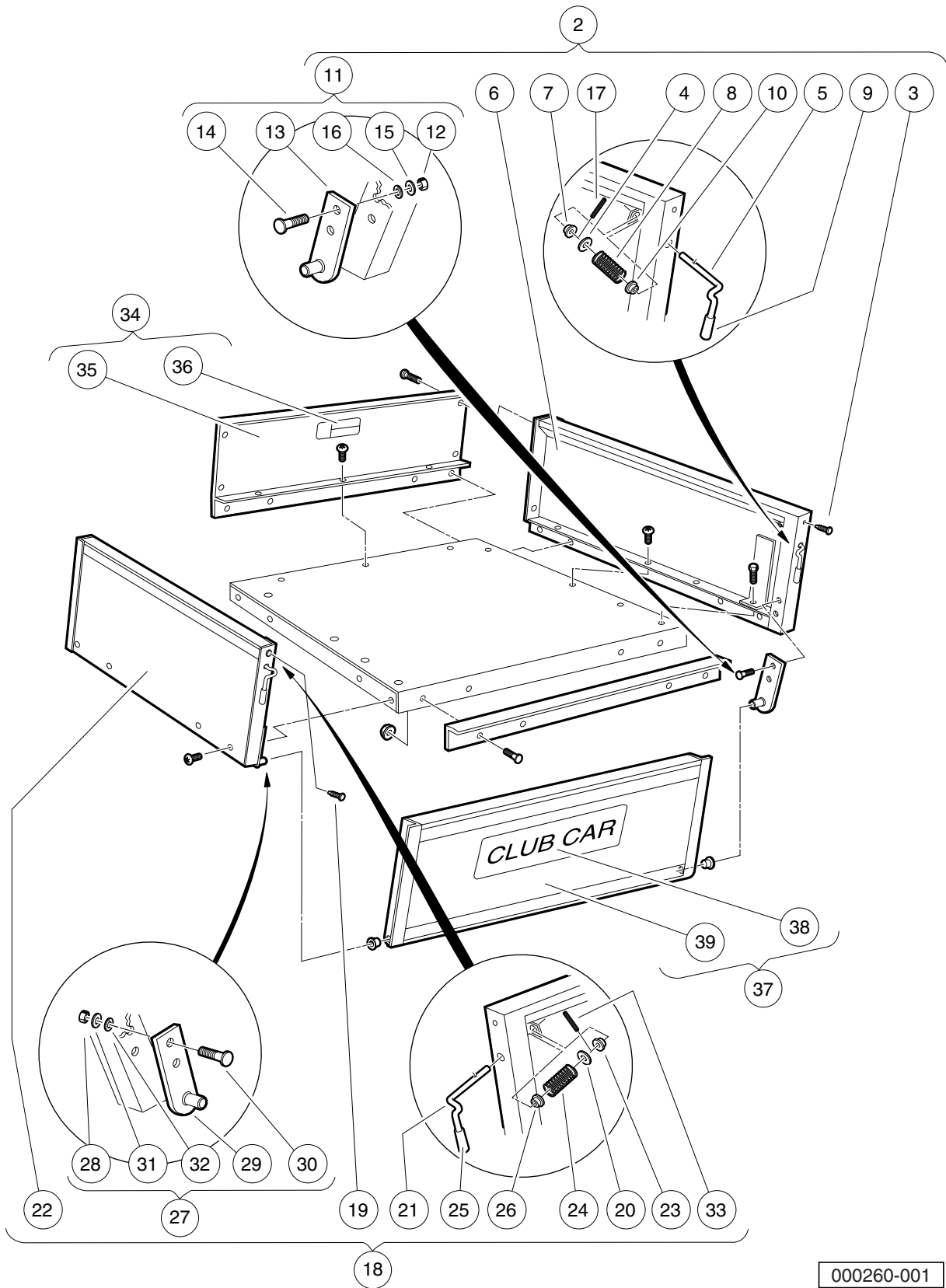
000259-002

PROP ROD – TURF/CARRYALL 2, 252, 2 XRT, AND CARRYALL 2 PLUS

ITEM	PART NO.	DESCRIPTION	QTY
		1 2 3 4	
1	101922801	Prop Rod Support Instl Kit (includes items 2 through 11)	1
2	1015348	Prop Rod Ca li	1
3	1015700	Track Prop Rod Ca li	1
4	N/A	Support Assy, Prop Rod	1
5	10192281	Instruction	1
6	1035	Cotter Pin, 3/32 x 1	2
7	332	Washer, 1/4 Type A Narrow Flat	5
8	334	Washer, 3/8 Type A Flat	1
9	7847	Screw, 1/4-20 X 0.75 Hex-Head Cap	6
10	808	Washer, 3/8 Type B Flat	1
11	8233	Locknut, 1/4-20 Nylon Insert	6

1
G
E

1
G
E



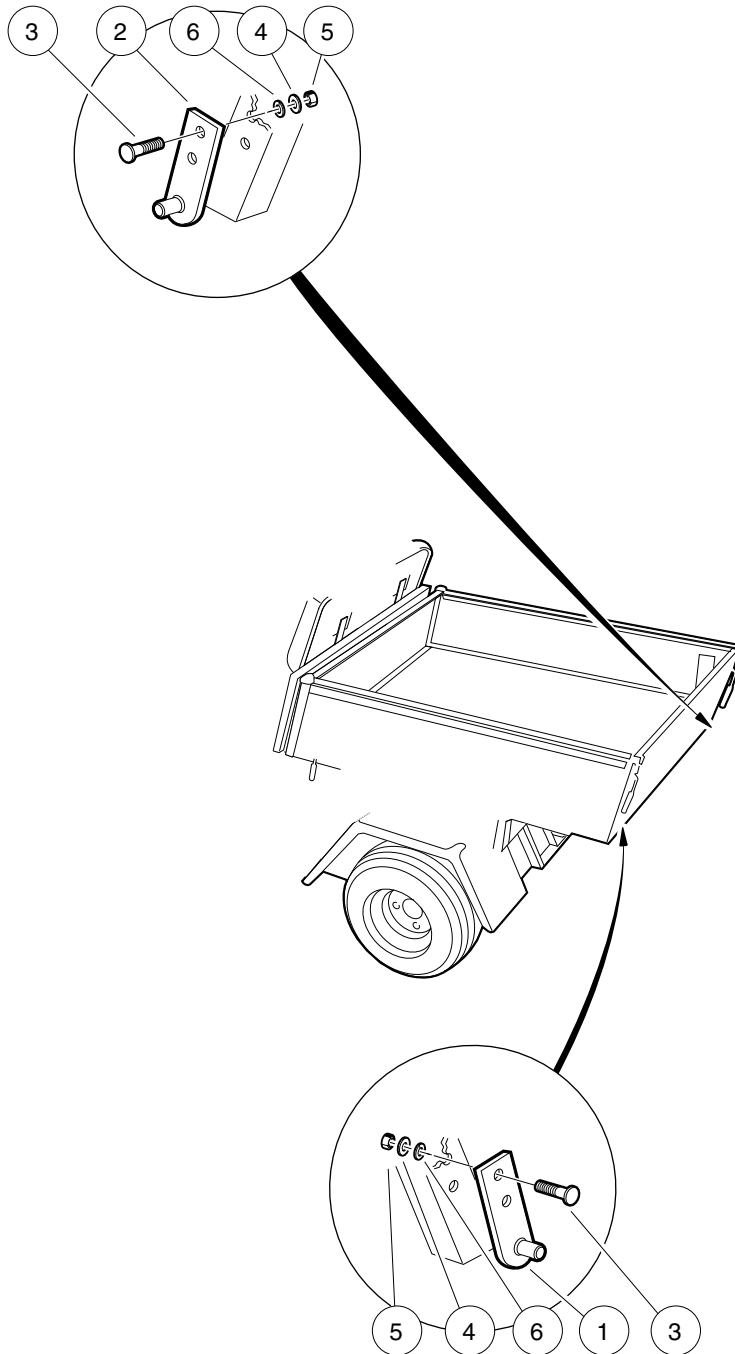
000260-001

CARGO BOX – TURF/CARRYALL 1

ITEM	PART NO.	DESCRIPTION	QTY
		1 2 3 4	
1	1015606	Kit, Cargo Box (includes items 2 through 37)	1
2	1015365	Side Panel Assembly, Right-Hand (includes items 3 through 17)	1
3	1010434	Barrel - Plastic	1
4	1011990	Washer, 3/8 Flat	1
5	1015245	Latch, Tailgate, Right-Hand	1
6	N/A	Side-Panel Weldment, Right-Hand	1
7	1015363	Bushing, Snap-In	1
8	1015390	Compression Spring Latch Tilt	1
9	1015400	Grip, Tilt Latch Hand	1
10	1032	Bushing, Nylon	1
11	103406502	Kit, Tlgt Mtg Brkt, Ca Rh (includes items 12 through 16)	1
12	1028	Nut, 1/4-20 Hex	2
13	N/A	Asm, Tlgt, Mtg Brkt, Ca Rh	1
14	103406601	Stud, 1/4 Self-clnchg Flush	2
15	332	Washer, 1/4 Type A Narrow Flat	2
16	451	Lockwasher, 1/4 Split	2
17	1231	Pin, 1/8 X 1.00 Split Roll	1
18	1015367	Side Panel Assembly, Left-Hand (includes items 19 through 33)	1
19	1010434	Barrel - Plastic	1
20	1011990	Washer, 3/8 Flat	1
21	1015313	Latch, Tailgate, Left-Hand	1
22	N/A	Side-Panel Weldment	1
23	1015363	Bushing, Snap-In	1
24	1015390	Compression Spring Latch Tilt	1
25	1015400	Grip, Tilt Latch Hand	1
26	1032	Bushing, Nylon	1
27	103406501	Kit, Tlgt Mtg Brkt, Ca Lh (includes items 28 through 32)	1
28	1028	Nut, 1/4-20 Hex	2
29	N/A	Asm, Tlgt, Mtg Brkt, Ca Lh	1
30	103406601	Stud, 1/4 Self-clnchg Flush	2
31	332	Washer, 1/4 Type A Narrow Flat	2
32	451	Lockwasher, 1/4 Split	2
33	1231	Pin, 1/8 X 1.00 Split Roll	1
34	1015413	Assembly, Front Panel (includes items 35 and 36)	1
35	N/A	Front Panel Box	1
36	101553901	Decal, Bed Load Warning	1
37	1015414	Assembly, Tailgate (includes items 38 and 39)	1
38	1013317	Decal, Logo, Tailgate	1
39	N/A	Tailgate Weldment	1
		Note: Additional components in kit 1015606 are shown on the following two pages.	

1
G
E

1
G
E



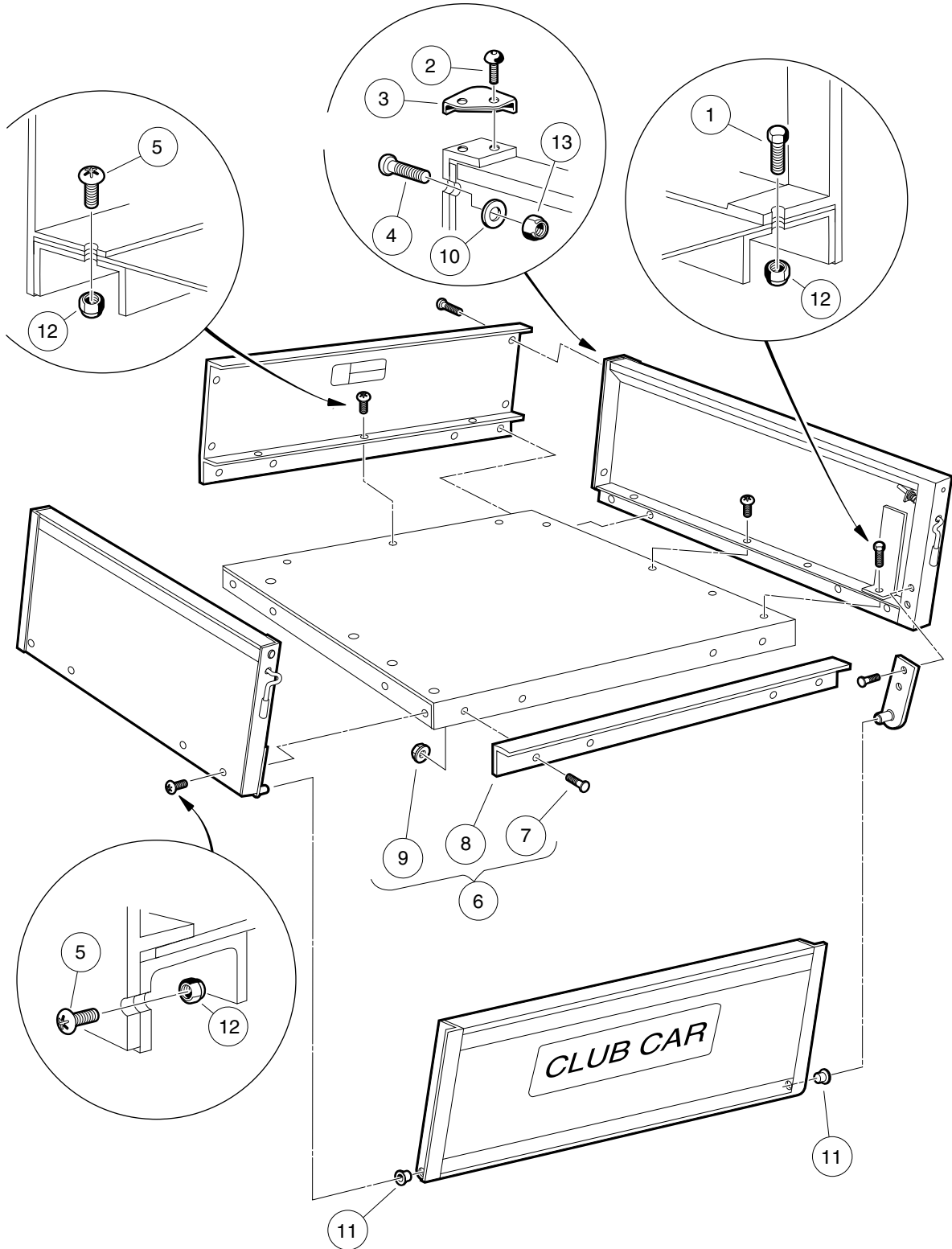
000797-001

TAILGATE BRACKET (EARLIER STYLE)

ITEM	PART NO.	DESCRIPTION	QTY
		1 2 3 4	
1	1014513	Tailgate Mounting Bracket, Left-Hand	1
2	1014514	Tailgate Mounting Bracket, Right-Hand	1
3	1014537	Stud, Self-Clinching Flush Head	4
4	1241	Washer, 5/16 Type A Flat	4
5	1242	Nut, 5/16-18 Hex	4
6	7174	Lockwasher, 5/16 Split	4
		<p>Note: Additional components in kit 1015606 are shown on the following two pages.</p>	

1
G
E

1
G
E



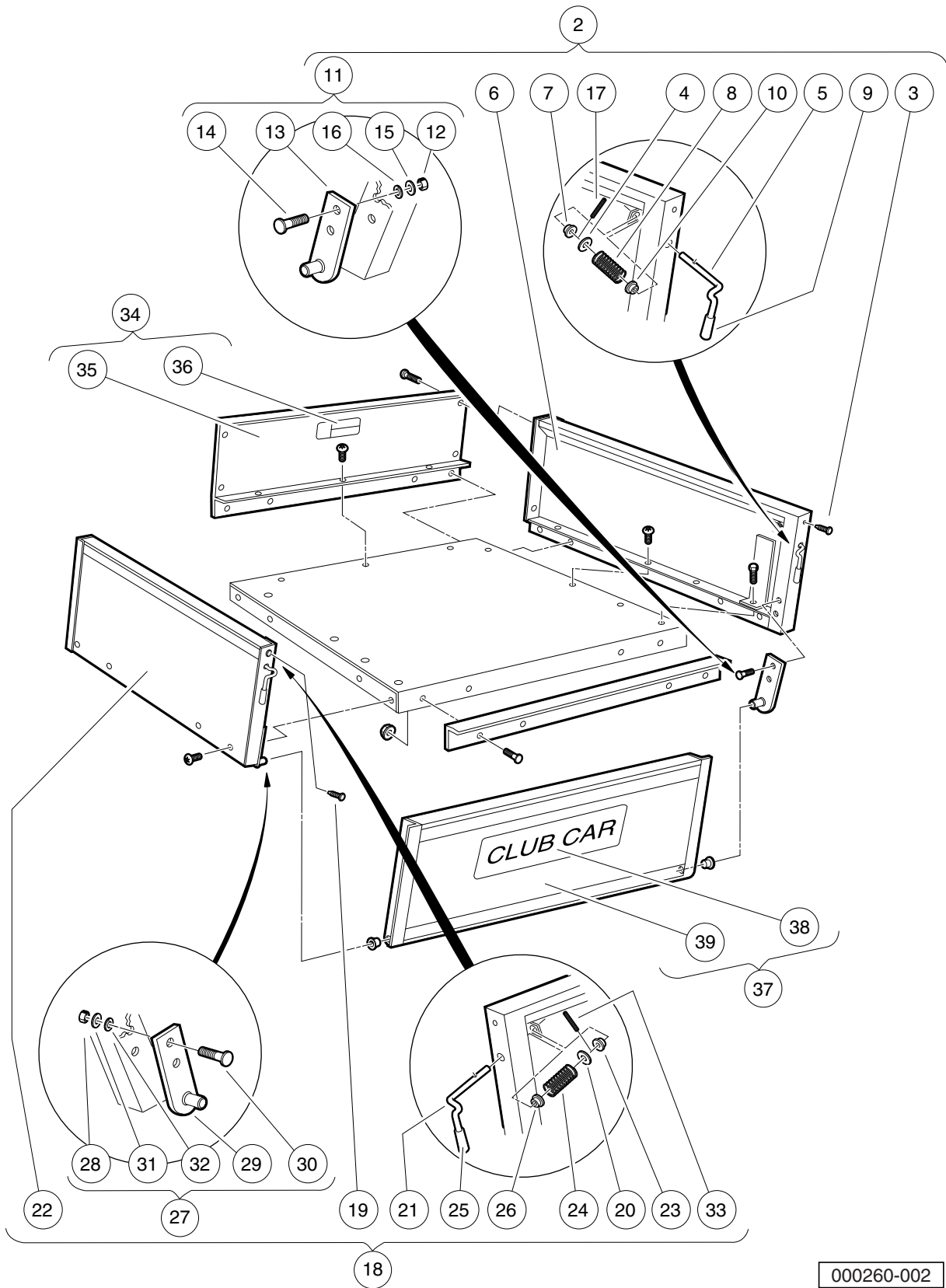
000261-001

CARGO BOX MOUNTING – TURF/CARRYALL 1

ITEM	PART NO.	DESCRIPTION	QTY
		1 2 3 4	
1	1010934	Screw, 5/16-18 X 1.00 Hex Cap	2
2	1014321	Screw, #10 Truss-Head Torx	4
3	1014387	Cap, Corner	2
4	1014415	Screw, 1/4-20 X 0.75 Torx Truss-Head	4
5	1015399	Screw, 5/16-18 X 0.88 Torx Truss-Head	17
6	****	Kit, Tailgate Angle (includes items 7 through 9)	1
7	1014537	Stud, Self-Clinching Flush Head	4
8	N/A	Box Bed Tailgate Angle	1
9	101963401	Locknut, 5/16-18 Hex Flange	4
10	332	Washer, 1/4 Type A Narrow Flat	4
11	7049	Bushing, Nylon	2
12	7473	Locknut, 5/16-18 Nylon Insert	19
13	8233	Locknut, 1/4-20 Nylon Insert	4
<p style="margin-left: 40px;">**** Special order item available upon request.</p> <p style="margin-left: 40px;">Note: All parts listed on this page are included in kit 1015606.</p>			

1
G
E

1
G
E



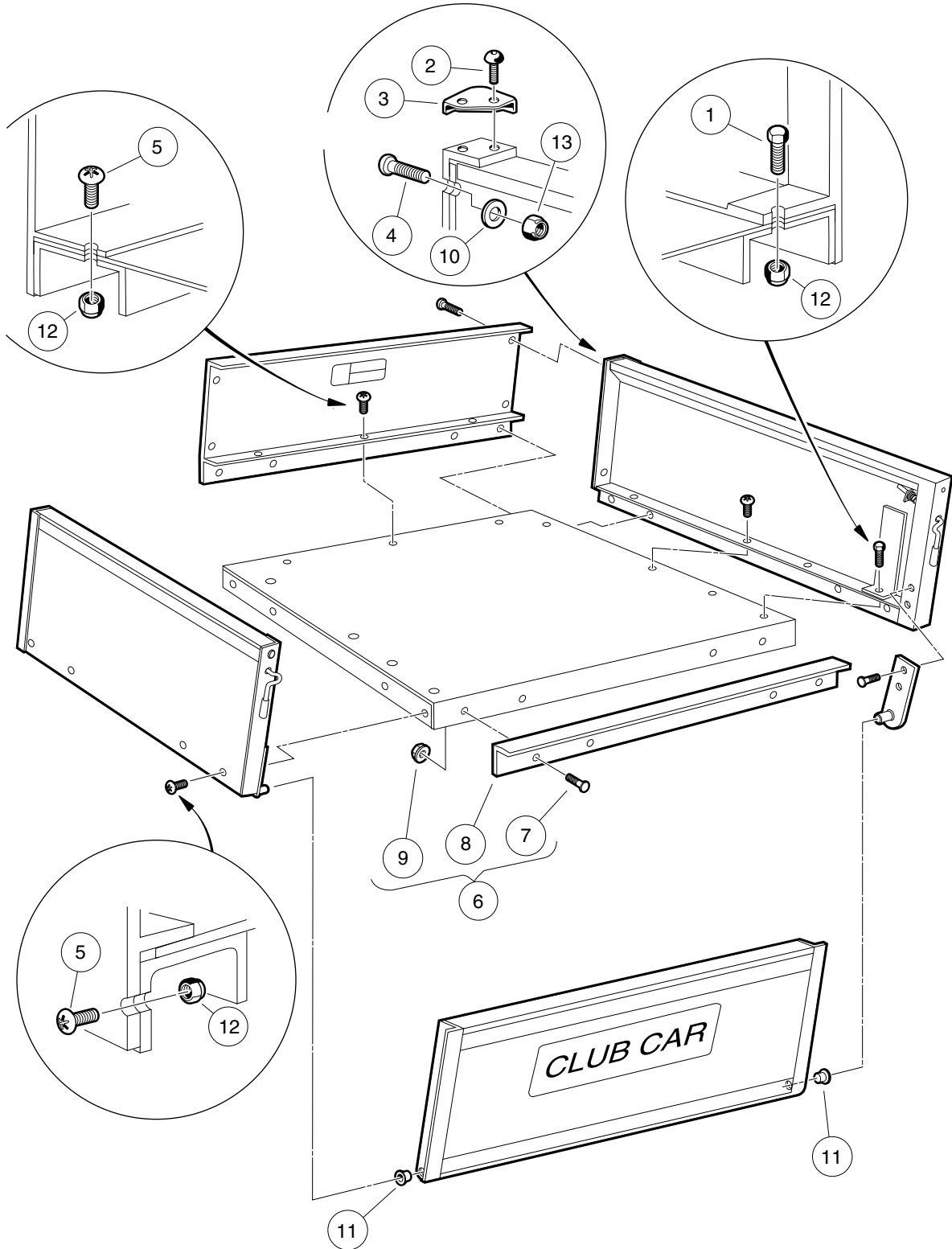
000260-002

CARGO BOX – TURF/CARRYALL 2, 252, 2 XRT, AND 2 PLUS

ITEM	PART NO.	DESCRIPTION	QTY
		1 2 3 4	
1	1015607	Cargo Box Set (includes items 2 through 37)	1
2	1015366	Side-Panel Assembly, Right-Hand (includes items 3 through 17)	1
3	1010434	Barrel - Plastic	1
4	1011990	Washer, 3/8 Flat	1
5	1015245	Latch, Tailgate, Right-Hand	1
6	N/A	Side-Panel Weldment, Right-Hand	1
7	1015363	Bushing, Snap-In	1
8	1015390	Compression Spring Latch Tilt	1
9	1015400	Grip, Tilt Latch Hand	1
10	1032	Bushing, Nylon	1
11	103406502	Kit, Tlgt Mtg Brkt, Ca Rh (includes items 12 through 16)	1
12	1028	Nut, 1/4-20 Hex	2
13	N/A	Asm, Tlgt, Mtg Brkt, Ca Rh	1
14	103406601	Stud, 1/4 Self-clnchg Flush	2
15	332	Washer, 1/4 Type A Narrow Flat	2
16	451	Lockwasher, 1/4 Split	2
17	1231	Pin, 1/8 X 1.00 Split Roll	1
18	1015368	Side Panel Assembly, Left-Hand (includes items 19 through 33)	1
19	1010434	Barrel - Plastic	1
20	1011990	Washer, 3/8 Flat	1
21	1015313	Latch, Tailgate, Left-Hand	1
22	N/A	Side-Panel Weldment, Left-Hand	1
23	1015363	Bushing, Snap-In	1
24	1015390	Compression Spring Latch Tilt	1
25	1015400	Grip, Tilt Latch Hand	1
26	1032	Bushing, Nylon	1
27	103406501	Kit, Tlgt Mtg Brkt, Ca Lh (includes items 28 through 32)	1
28	1028	Nut, 1/4-20 Hex	2
29	N/A	Asm, Tlgt, Mtg Brkt, Ca Lh	1
30	103406601	Stud, 1/4 Self-clnchg Flush	2
31	332	Washer, 1/4 Type A Narrow Flat	2
32	451	Lockwasher, 1/4 Split	2
33	1231	Pin, 1/8 X 1.00 Split Roll	1
34	1015412	Front Panel Assembly (includes items 35 and 36)	1
35	N/A	Front Panel Box	1
36	101553901	Decal, Bed Load Warning	1
37	1015424	Tailgate Assembly (includes items 38 and 39)	1
38	1013317	Decal, Logo, Tailgate	1
39	N/A	Tailgate Weldment	1
<p>Note: Additional components in kit 1015607 are shown on the following two pages.</p>			



1
G
E



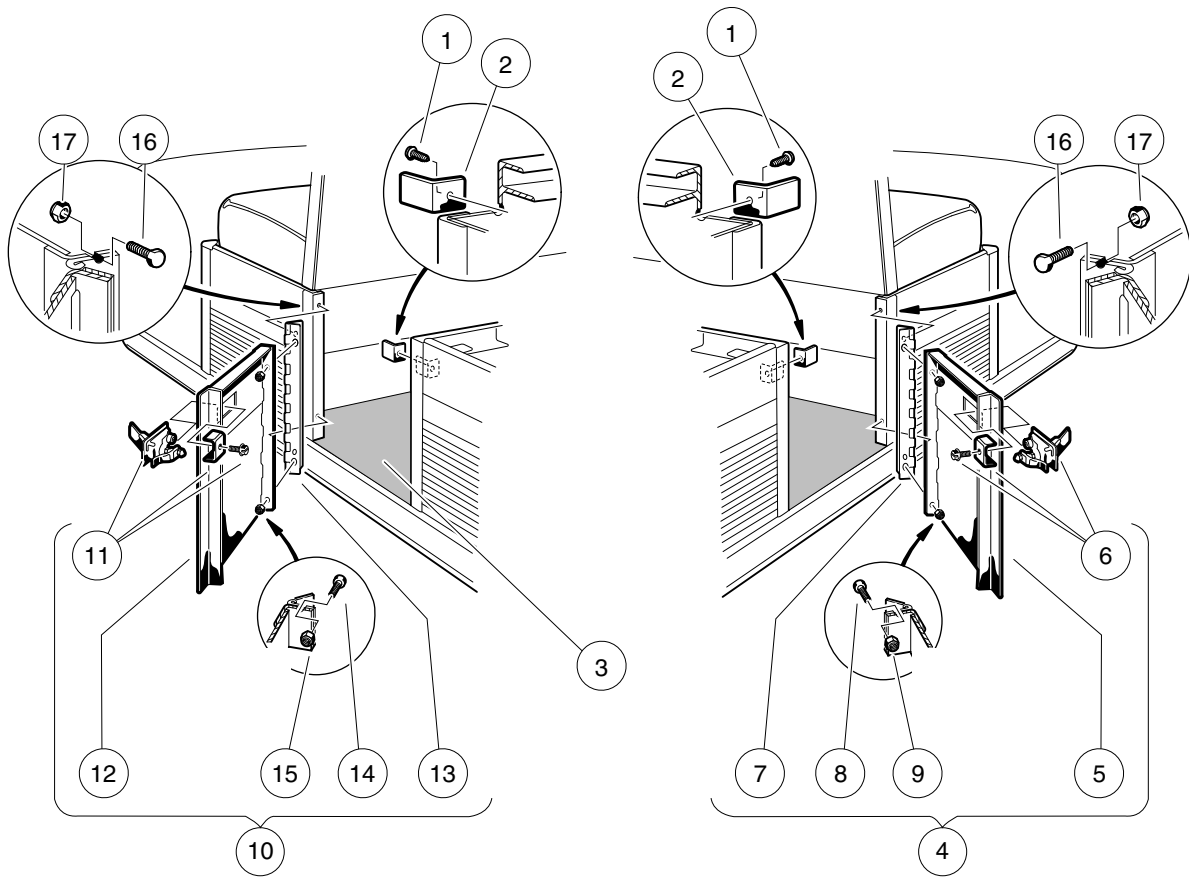
000261-001

CARGO BOX MOUNTING – TURF/CARRYALL 2, 252, 2 XRT, AND CARRYALL 2 PLUS

ITEM	PART NO.	DESCRIPTION	QTY
		1 2 3 4	
1	1010934	Screw, 5/16-18 X 1.00 Hex Cap	2
2	1014321	Screw, #10 Truss-Head Torx	4
3	1014387	Cap, Corner	2
4	1014415	Screw, 1/4-20 X 0.75 Torx Truss-Head	4
5	1015399	Screw, 5/16-18 X 0.88 Torx Truss-Head	23
6	101894702	Kit, Tailgate Angle (includes items 7 through 9)	1
7	1014537	Stud, Self-Clinching Flush Head	4
8	101894302	Box Bed Tailgate Angle	1
9	101963401	Locknut, 5/16-18 Hex Flange	4
10	332	Washer, 1/4 Type A Narrow Flat	4
11	7049	Bushing, Nylon	2
12	7473	Locknut, 5/16-18 Nylon Insert	25
13	8233	Locknut, 1/4-20 Nylon Insert	4
<p>Note: All parts listed on this page are included in kit 1015607.</p>			

1
G
E

1
G
E



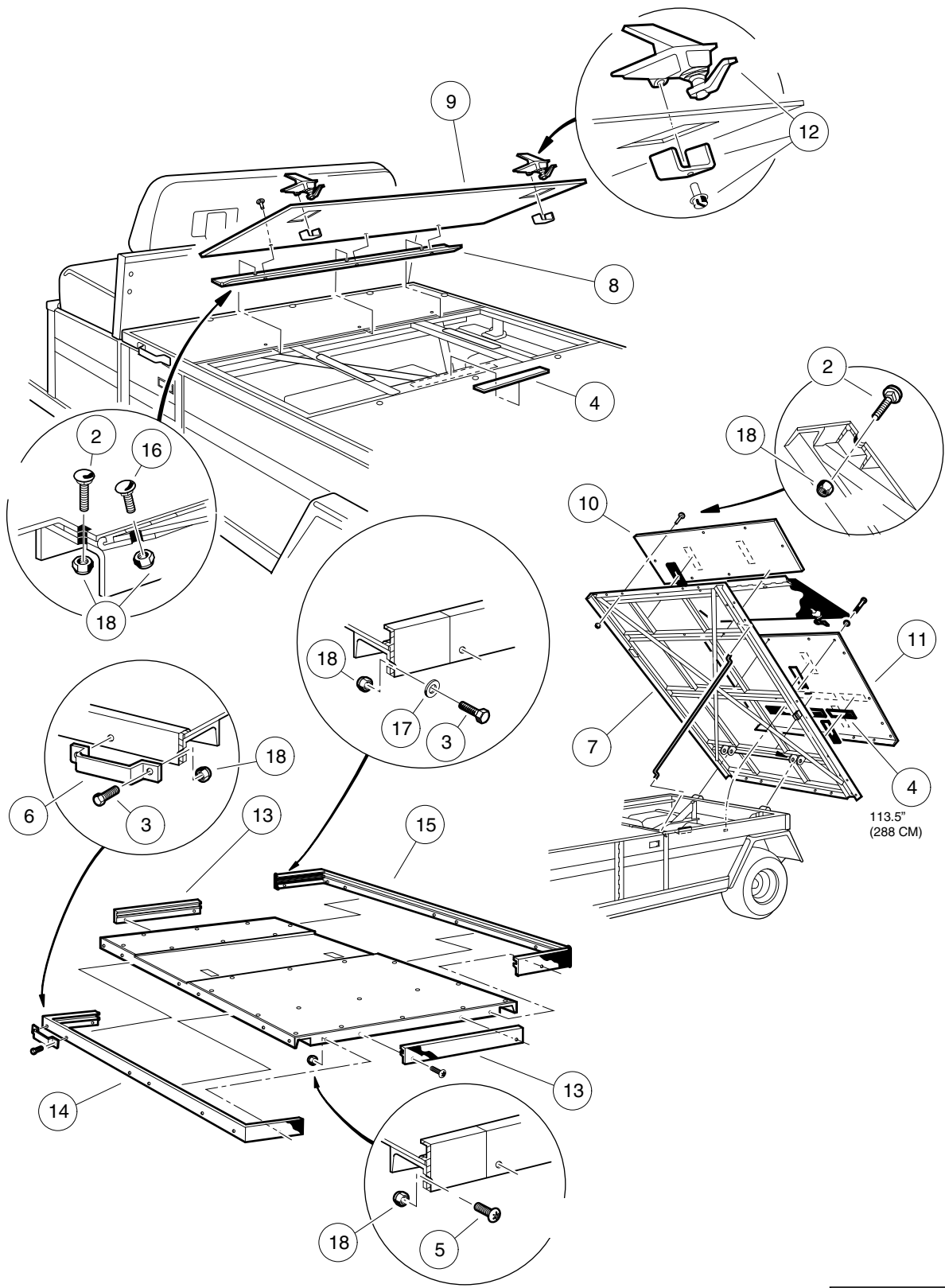
000262-001

SIDE DOORS – TURF/CARRYALL 6

ITEM	PART NO.	DESCRIPTION	QTY
		1 2 3 4	
1	1012285	Screw, 1/4 X 0.625 Hex-Head	2
2	1013280	Clip, Angle	2
3	1016718	Floormat, Rear	1
4	1016954	Assembly, Door, Passenger-Side (includes items 5 through 9)	1
5	1016909	Door, Passenger-Side	1
6	101691401	Latch, Door	1
7	1016920	Hinge, Door	1
8	403	Screw, 1/4-20 X 0.625 Hex-Head Cap	2
9	8233	Locknut, 1/4-20 Nylon Insert	2
10	1016955	Assembly, Door, Driver-Side (includes items 11 through 15)	1
11	101691401	Latch, Door	1
12	1016918	Door, Driver-Side	1
13	1016920	Hinge, Door	1
14	403	Screw, 1/4-20 X 0.625 Hex-Head Cap	2
15	8233	Locknut, 1/4-20 Nylon Insert	2
16	403	Screw, 1/4-20 X 0.625 Hex-Head Cap	4
17	8233	Locknut, 1/4-20 Nylon Insert	4

1
G
E

1
G
E



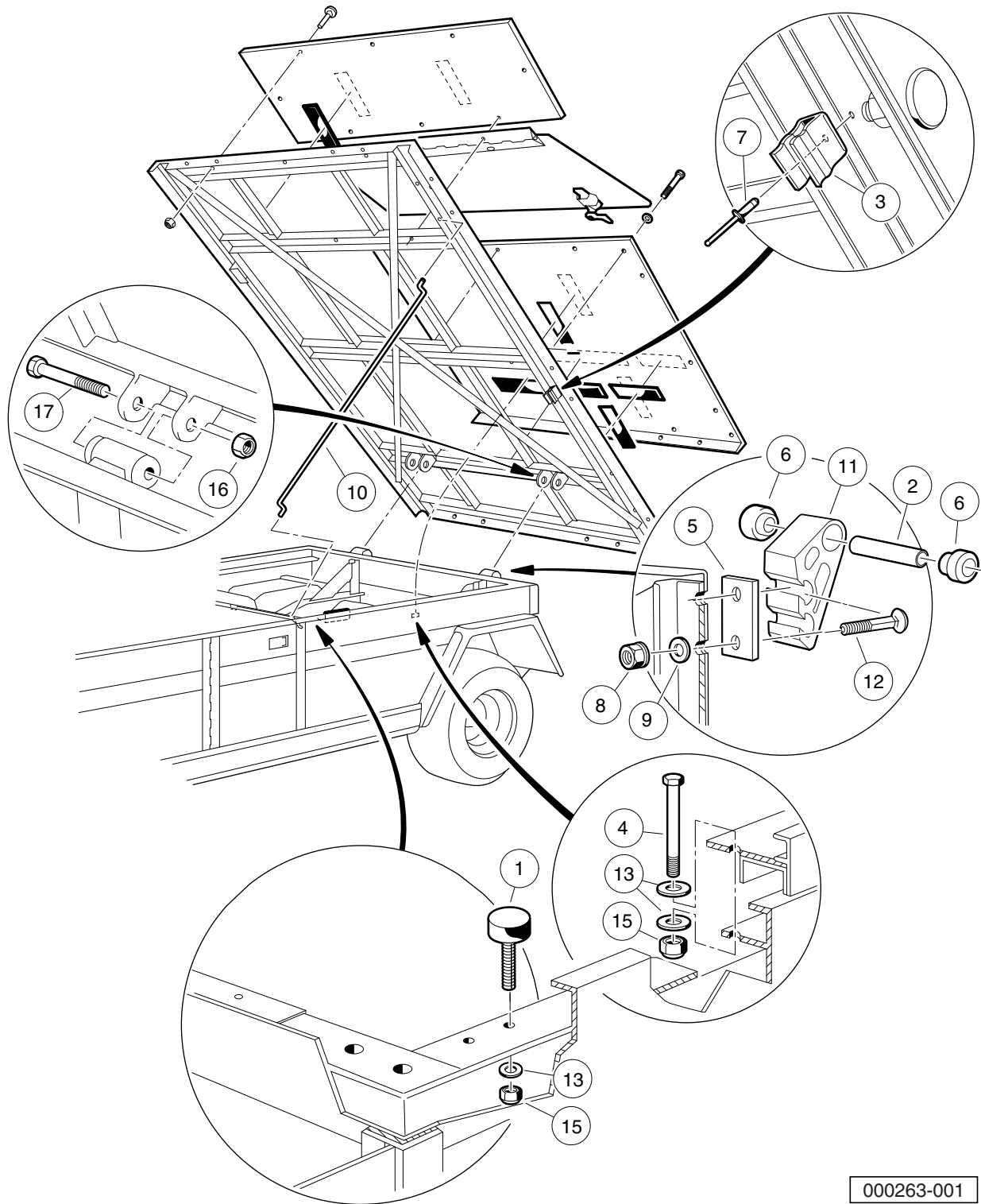
000264-001

FLAT BED – TURF/CARRYALL 6

ITEM	PART NO.	DESCRIPTION	QTY
		1 2 3 4	
1	1016942	Assembly, Long Bed (includes items 2 through 18)	1
2	1010435	Bolt, Carriage, 5/16-18 X 1.00	21
3	1010934	Screw, 5/16-18 X 1.00 Hex Cap	6
4	1014471	Tape, Vinyl Foam 1/8" x 3/4" *	1
5	1015399	Screw, 5/16-18 X 0.88 Torx Truss-Head	14
6	1016077	Bracket, Stake Side	1
7	1016878	Long Bed Frame Assembly	1
8	1016881	Hinge, Access Door	1
9	101689101	Plate, Access Door	1
10	****	Floor Plate Forward Long Bed	1
11	****	Plate Floor Rear Long Bed	1
12	101691401	Latch, Door	2
13	1016943	Trim, Long Bed, Front and Rear	2
14	1016944	Trim, Long Bed, Driver-Side	1
15	1016948	Trim, Long Bed, Passenger-Side	1
16	1017077	Bolt, Carriage, 5/16-18 X 0.625	3
17	1241	Washer, 5/16 Type A Flat	4
18	7473	Locknut, 5/16-18 Nylon Insert	44
		**** Special order item available upon request.	
		* Note: Item not shown.	

1
G
E

1
G
E



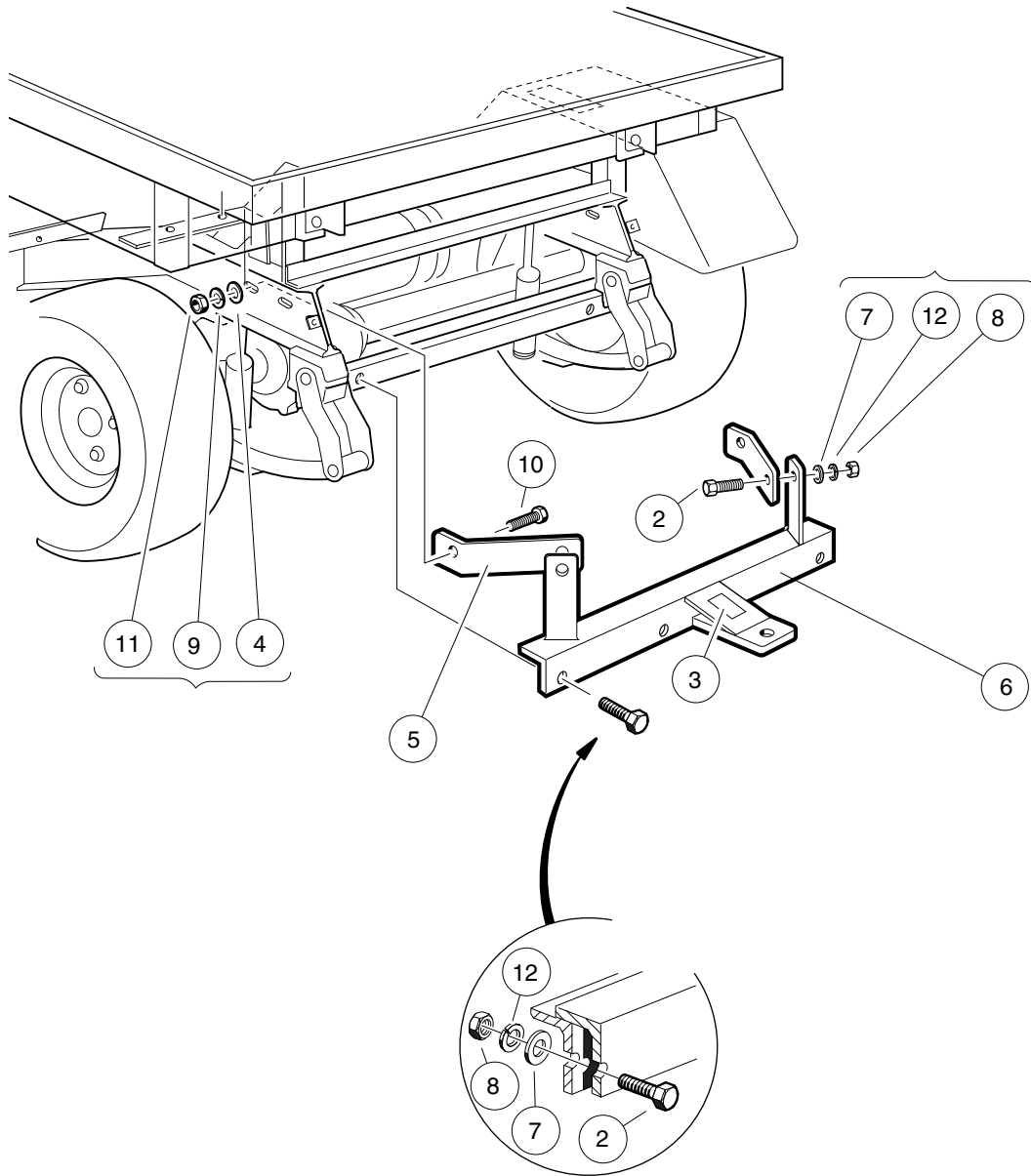
000263-001

FLAT BED MOUNTING – TURF/CARRYALL 6

ITEM	PART NO.	DESCRIPTION	QTY
		1 2 3 4	
1	1010878	Bumper, Rubber	2
2	1012303	Bushing, Steel	2
3	1013413	Clip, Rod	1
4	1013872	Bolt, 1/4-20 X 4.00 Hex Head	2
5	1015507	Shim, Tilt Bed Pivot	1
6	1015583	Bushing, Urethane	4
7	1015727	Rivet, 1/8	1
8	102065901	Locknut, 3/8-16 Flanged Dimple	4
9	102066001	Washer, 3/8 Type B Hard Flat	4
10	102259401	Prop Rod, Long Bed	1
11	103538701	Extra, Bracket, Hinge, Bed	2
12	103538901	3/8-16 X 3.5 Carr Blt Gr5 Zn	4
13	332	Washer, 1/4 Type A Narrow Flat	6
14	705	Screw, Cap-hex Hd 3/8-16x1.25	4
15	8233	Locknut, 1/4-20 Nylon Insert	4
16	8754	Locknut, 3/8-16 Hex	2
17	8755	Screw, 3/8-16 X 3.375 Hex Cap	2

1
G
E

1
G
E



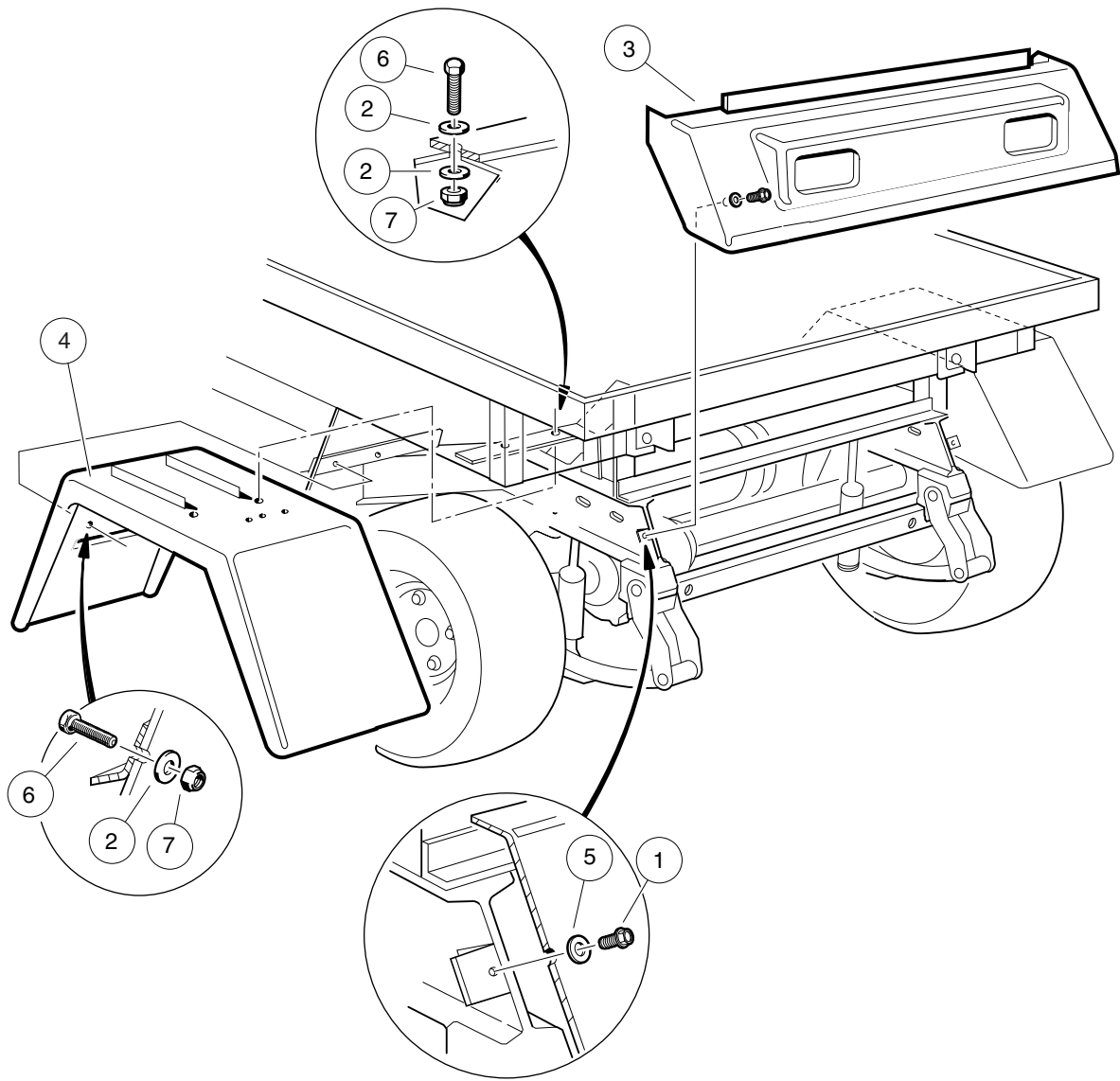
000265-001

TRAILER HITCH – TURF/CARRYALL 1, TURF/CARRYALL 2, 252, 2 XRT, AND CARRYALL 2 PLUS

ITEM	PART NO.	DESCRIPTION	QTY
		1 2 3 4	
1	1015445	Kit, Trailer Hitch (includes items 2 through 12)	1
2	1010934	Screw, 5/16-18 X 1.00 Hex Cap	4
3	1011553	Decal, Trailer Hitch	1
4	1011990	Washer, 3/8 Flat	2
5	1013483	Brace, Trailer Hitch	2
6	N/A	Asm, Trailer Hitch	1
7	1241	Washer, 5/16 Type A Flat	4
8	1242	Nut, 5/16-18 Hex	4
9	357	Lockwasher, 3/8 Split	2
10	705	Screw, Cap-hex Hd 3/8-16x1.25	2
11	706	Nut, Hex 3/8-16	2
12	7174	Lockwasher, 5/16 Split	4

1
G
E

1
G
E



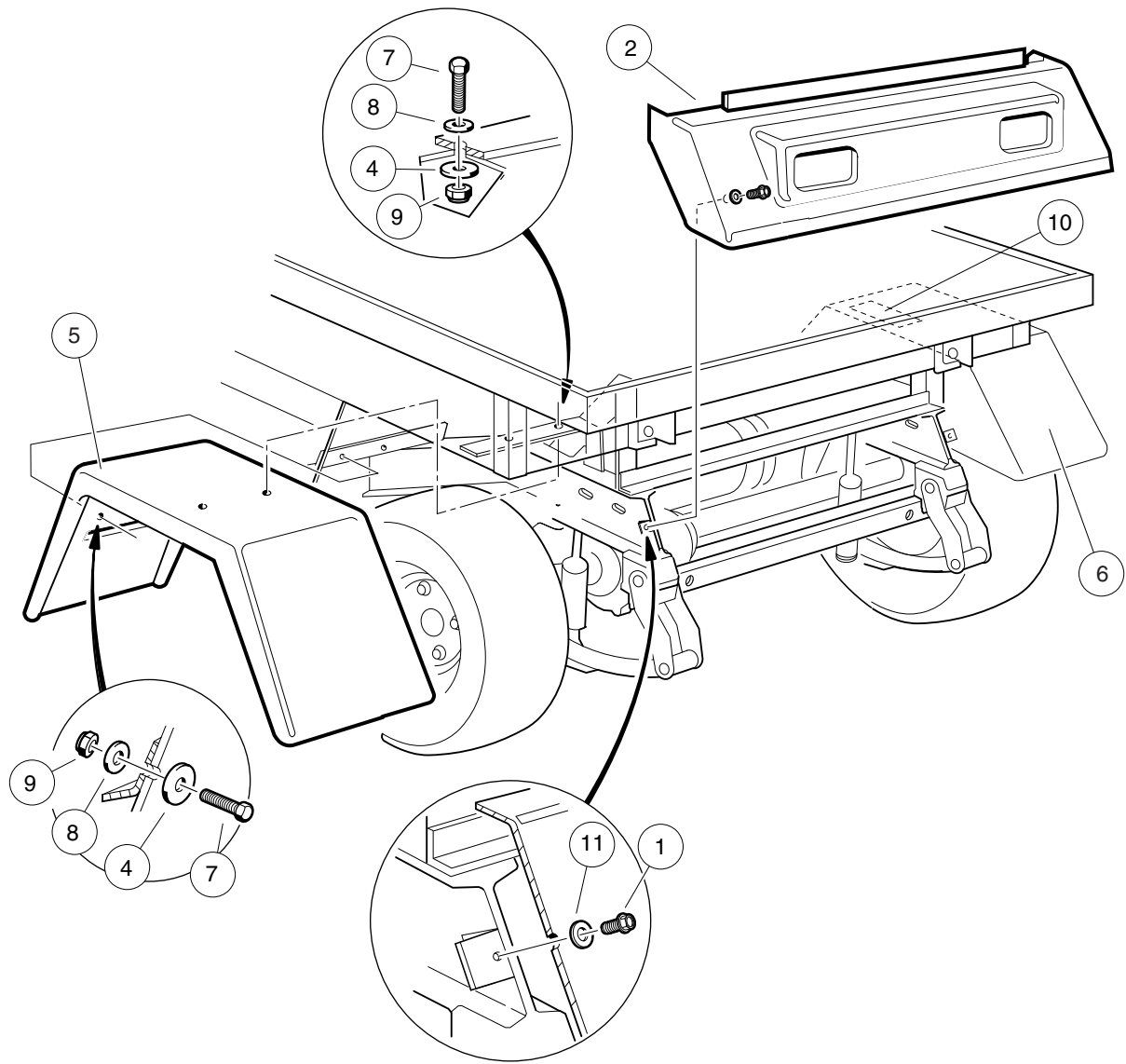
000266-001

REAR BODY TRIM – TURF/CARRYALL 1, 2, AND CARRYALL 2 PLUS

ITEM	PART NO.	DESCRIPTION	QTY
		1 2 3 4	
1	1012285	Screw, 1/4 X 0.625 Hex-Head	2
2	1014306	Washer, 1/4" Type B Flat	12
3	1015530	Tailskirt	1
4	1016679	Rear Fender	2
5	332	Washer, 1/4 Type A Narrow Flat	2
6	7847	Screw, 1/4-20 X 0.75 Hex-Head Cap	8
7	8233	Locknut, 1/4-20 Nylon Insert	8

1
G
E

1
G
E



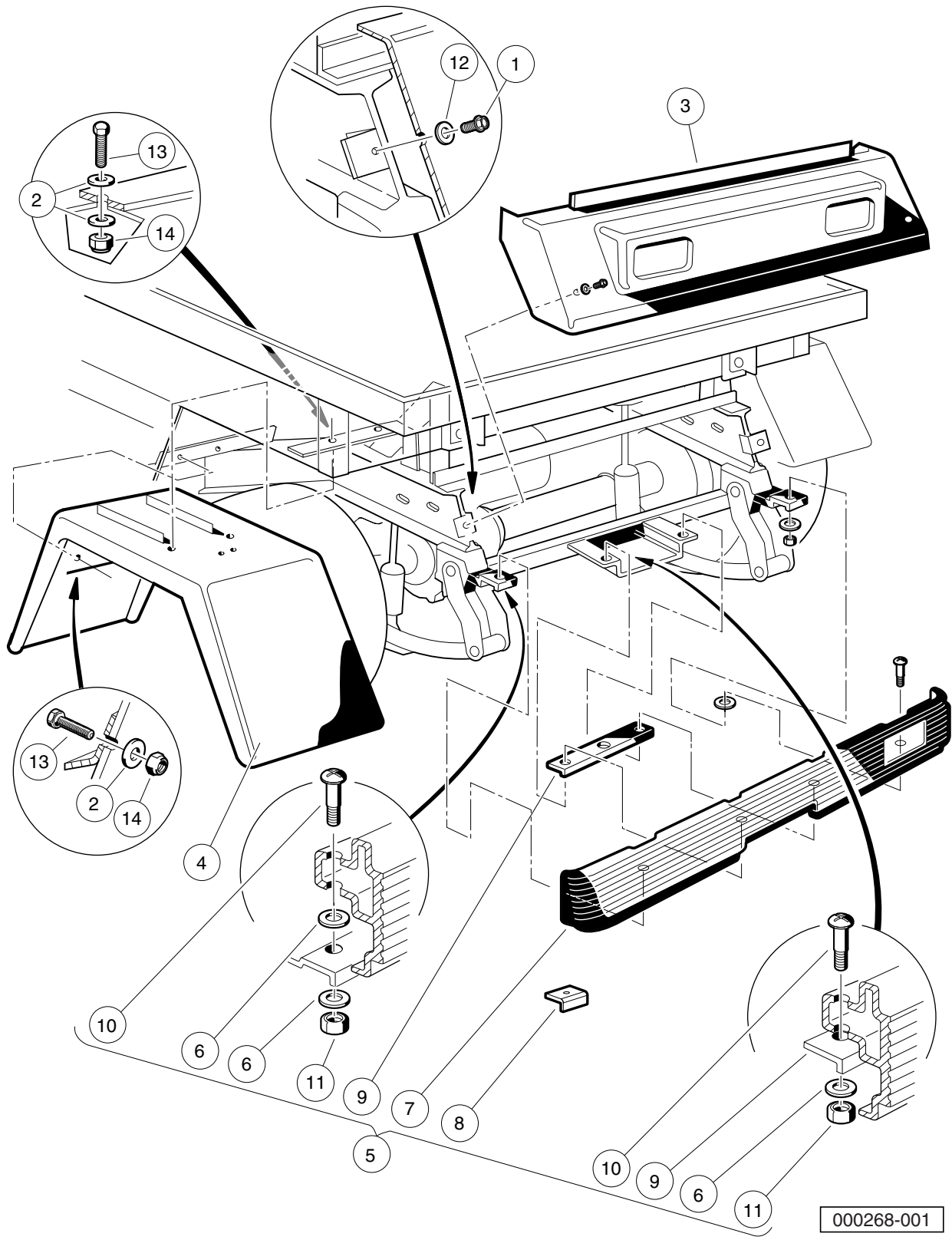
000267-001

REAR BODY TRIM – TURF/CARRYALL 252 AND 2 XRT

ITEM	PART NO.	DESCRIPTION	QTY
		1 2 3 4	
1	1012285	Screw, 1/4 X 0.625 Hex-Head	2
2	1015530	Tailskirt	1
3	N/A	Rear Fender Kit (includes items 4 through 9)	1
4	1014306	Washer, 1/4" Type B Flat	10
5	102004601	Extended Fender, Rear, Left-Hand	1
6	102004602	Extended Fender, Rear, Right-Hand	1
7	304	Screw, 1/4-20 X 1.0 Hex-Head Cap	8
8	332	Washer, 1/4 Type A Narrow Flat	6
9	8233	Locknut, 1/4-20 Nylon Insert	8
10	102224001	Decal, Rotating Parts Warning	1
11	332	Washer, 1/4 Type A Narrow Flat	2

1
G
E

1
G
E



000268-001

REAR BODY TRIM – TURF/CARRYALL 6

ITEM	PART NO.	DESCRIPTION	QTY
		1 2 3 4	
1	1012285	Screw, 1/4 X 0.625 Hex-Head	2
2	1014306	Washer, 1/4" Type B Flat	12
3	1015530	Tailskirt	1
4	1016679	Rear Fender	2
5	1017079	Kit, Rear Bumper (includes items 6 through 11)	1
6	1011697	Washer, 5/16 Flat	6
7	1016379	Bumper, Rear	1
8	1016874	Plate, Bumper Mounting, Short	2
9	1016875	Plate, Bumper Mounting, Long	1
10	1016876	Bolt, 3/8 Shoulder	4
11	7473	Locknut, 5/16-18 Nylon Insert	4
12	332	Washer, 1/4 Type A Narrow Flat	2
13	7847	Screw, 1/4-20 X 0.75 Hex-Head Cap	8
14	8233	Locknut, 1/4-20 Nylon Insert	8

1
G
E

1

G

E

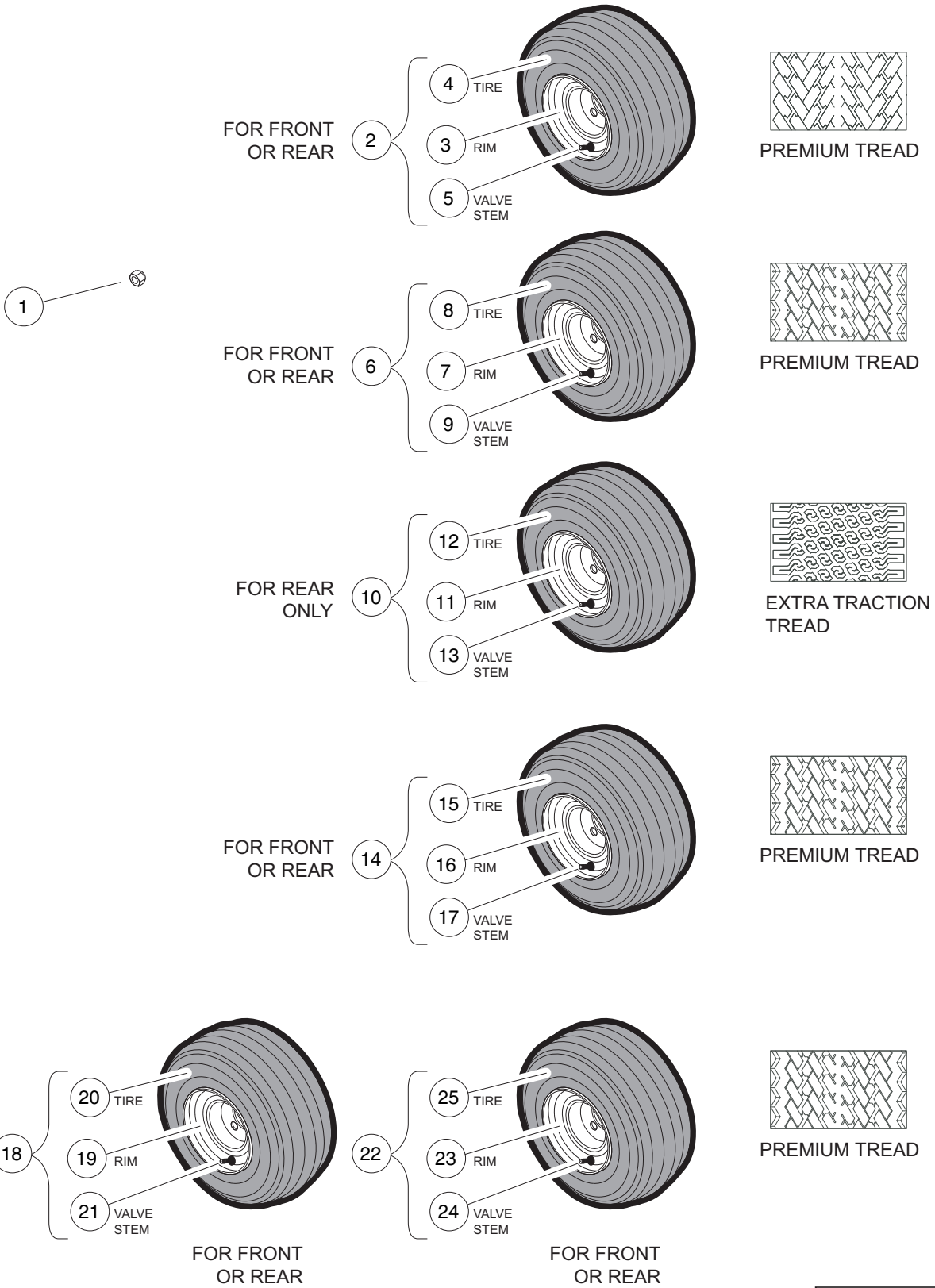
WHEELS AND TIRES

2

G

E

2
G
E



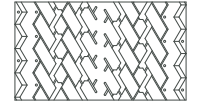
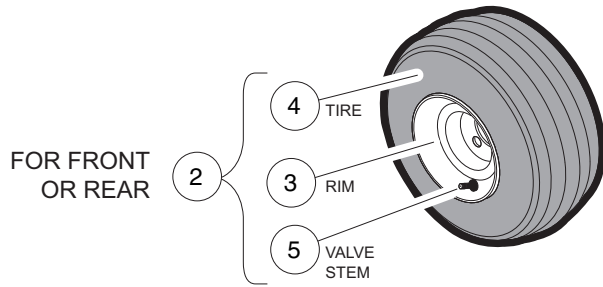
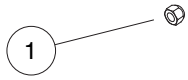
000269-001

WHEELS AND TIRES – VILLAGER 6 AND 8, AND TRANSPORTER 4 AND 6

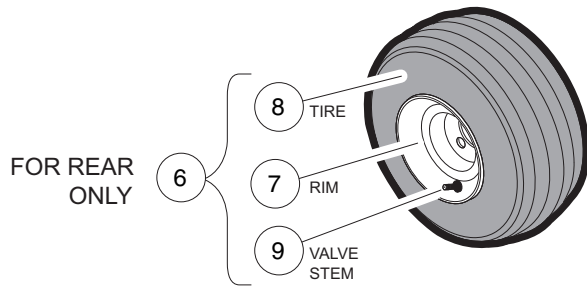
ITEM	PART NO.	DESCRIPTION	QTY
		1 2 3 4	
1	1010984	.500-20 Unf Lug Nut	16
2	101651402	Tire/Wheel Asm, White, Premium Tread (includes items 3 through 5)	4
3	1014771	Wheel Rim, White	1
4	101567202	Tire, Unmounted, Links 18 x 8.50-8	1
5	7310	Valve Stem	1
6	101651406	Tire/Wheel Asm, White, Premium Tread, 6-Ply (includes items 7 through 9)	4
7	1014771	Wheel Rim, White	1
8	101737002	Tire, Unmounted	1
9	7310	Valve Stem	1
10	101651407	Tire/Wheel Asm, White, Extra-Traction, 6-Ply (includes items 11 through 13)	2
11	1014771	Wheel Rim, White	1
12	N/A	Tire, Unmounted Xtrac 18 x 8.50-8	1
13	7310	Valve Stem	1
14	101651409	Tire/Wheel Asm, White, Premium Tread, 6.5-inch (includes items 15 through 17)	4
15	101884901	Tire, Unmounted, Power Rib 18 x 6.50-8	1
16	101918401	Wheel Rim, Beige	1
17	7310	Valve Stem	1
18	101651412	Tire/Wheel Asm, White, Duro Premium Tread (includes items 19 through 21)	4
19	1014771	Wheel Rim, White	1
20	102569304	Duro 18 X 8.5 X 8, 4-Ply	1
21	7310	Valve Stem	1
22	101651413	Tire/Wheel Asm, White, Kenda Premium Tread (includes items 23 through 25)	4
23	1014771	Wheel Rim, White	1
24	7310	Valve Stem	1
25	AM10682	Unmounted Prem Tire 18x8.50x8	1

2
G
E

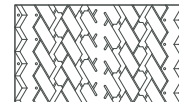
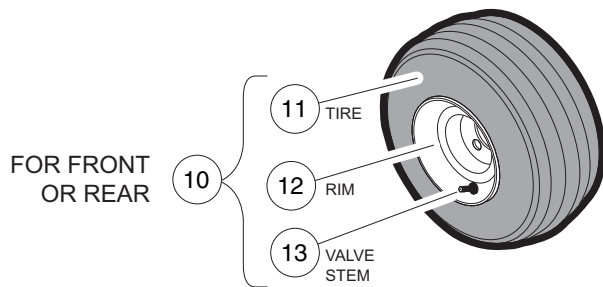
2
G
E



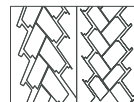
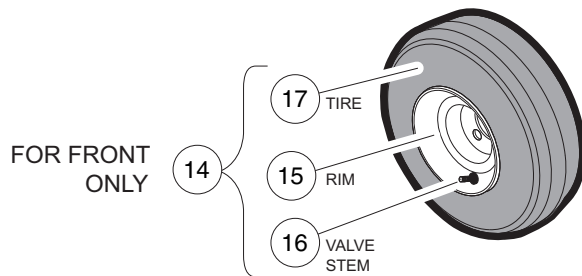
PREMIUM TREAD



EXTRA TRACTION TREAD



PREMIUM TREAD



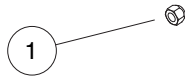
DURO HF 232 TREAD

000269-002

WHEELS AND TIRES – TURF/CARRYALL 2

ITEM	PART NO.	DESCRIPTION	QTY
		1 2 3 4	
1	1010984	.500-20 Unf Lug Nut	16
2	101651406	Tire/Wheel Asm, White, Premium Tread, 6-Ply (includes items 3 through 5)	4
3	1014771	Wheel Rim, White	1
4	101737002	Tire, Unmounted	1
5	7310	Valve Stem	1
6	101651407	Tire/Wheel Asm, White, Extra-Traction, 6-Ply (includes items 7 through 9)	2
7	1014771	Wheel Rim, White	1
8	N/A	Tire, Unmounted Xtrac 18 x 8.50-8	1
9	7310	Valve Stem	1
10	101651409	Tire/Wheel Asm, White, Premium Tread, 6.5-inch (includes items 11 through 13)	4
11	101884901	Tire, Unmounted, Power Rib 18 x 6.50-8	1
12	101918401	Wheel Rim, Beige	1
13	7310	Valve Stem	1
14	101651414	Tire/Wheel Asm, White, Duro HF 232 (includes items 15 through 17)	4
15	101918402	Wheel Rim, White	1
16	7310	Valve Stem	1
17	****	Tire, Unmounted, 6-Ply Rated (18.5 x 8.5 - 8) (Duro)	1
**** Special order item available upon request.			

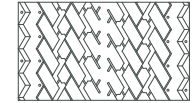
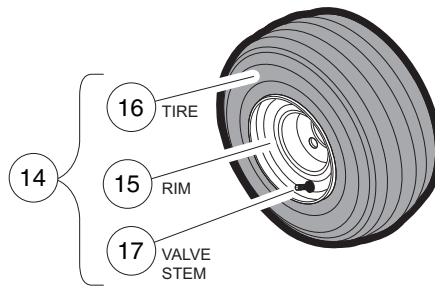
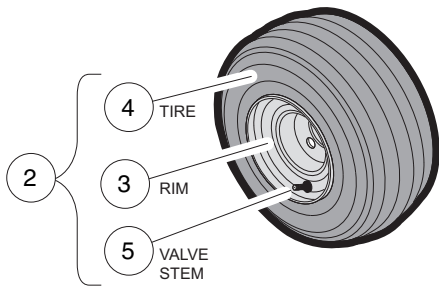
2
G
E



FOR FRONT OR REAR

BEIGE RIMS

WHITE RIMS

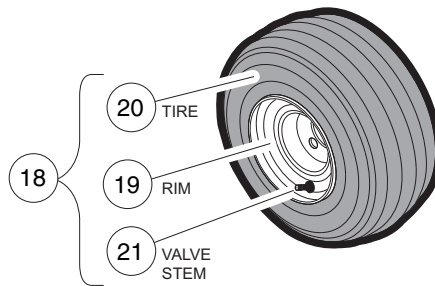
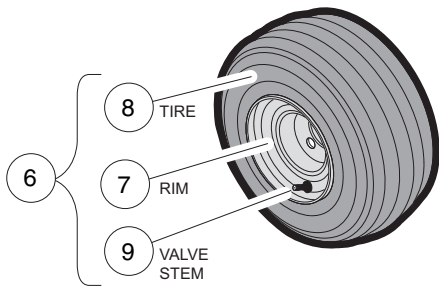


PREMIUM TREAD

FOR REAR ONLY

BEIGE RIMS

WHITE RIMS

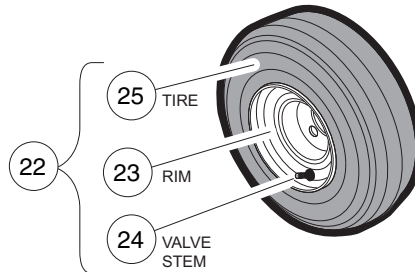
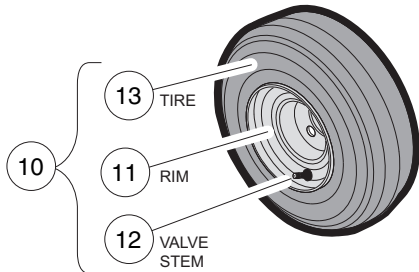


EXTRA TRACTION TREAD

FOR FRONT ONLY

BEIGE RIMS

WHITE RIMS



DURO HF 232 TREAD

000269-003

WHEELS AND TIRES – TURF/CARRYALL 6

ITEM	PART NO.	DESCRIPTION	QTY
		1 2 3 4	
1	1010984	.500-20 Unf Lug Nut	16
2	101570506	Tire/Wheel Asm, Beige, Premium Tread, 6-ply (includes items 3 through 5)	4
3	1015707	Wheel Rim, Beige	1
4	101737002	Tire, Unmounted	1
5	7310	Valve Stem	1
6	101570507	Tire/Wheel Asm, Beige, Xtrac Tread, 6-ply (includes items 7 through 9)	2
7	1015707	Wheel Rim, Beige	1
8	N/A	Tire, Unmounted Xtrac 18 x 8.50-8	1
9	7310	Valve Stem	1
10	101570514	Tire/Wheel Asm, Beige, Duro HF 232 Tread (includes items 11 through 13)	2
11	1015707	Wheel Rim, Beige	1
12	7310	Valve Stem	1
13	****	Tire, Unmounted, 6-Ply Rated (18.5 x 8.5 - 8) (Duro)	1
14	101651406	Tire/Wheel Asm, White, Premium Tread, 6-Ply (includes items 15 through 17)	4
15	1014771	Wheel Rim, White	1
16	101737002	Tire, Unmounted	1
17	7310	Valve Stem	1
18	101651407	Tire/Wheel Asm, White, Extra-Traction, 6-Ply (includes items 19 through 21)	2
19	1014771	Wheel Rim, White	1
20	N/A	Tire, Unmounted Xtrac 18 x 8.50-8	1
21	7310	Valve Stem	1
22	101651414	Tire/Wheel Asm, White, Duro HF 232 (includes items 23 through 25)	2
23	101918402	Wheel Rim, White	1
24	7310	Valve Stem	1
25	****	Tire, Unmounted, 6-Ply Rated (18.5 x 8.5 - 8) (Duro)	1
**** Special order item available upon request.			

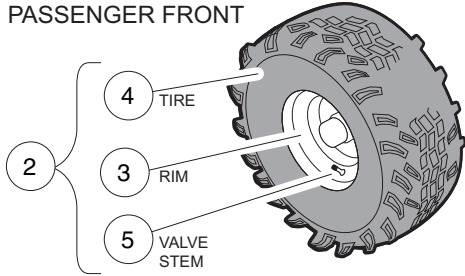
2
G
E



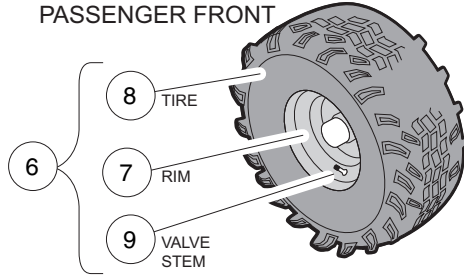
WHITE RIMS

SILVER RIMS

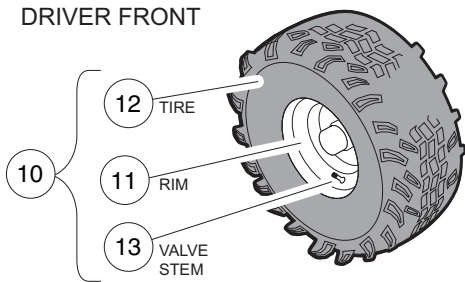
PASSENGER FRONT



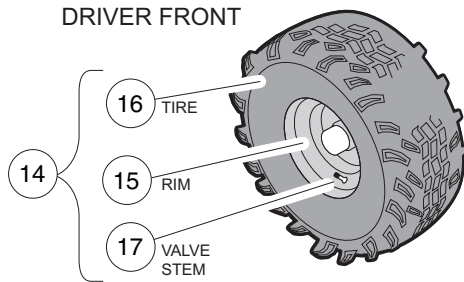
PASSENGER FRONT



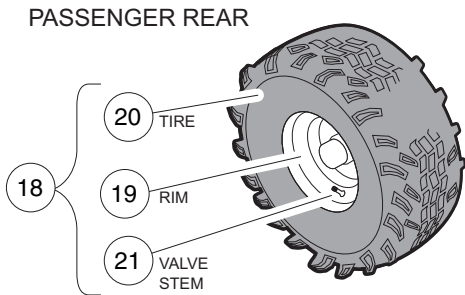
DRIVER FRONT



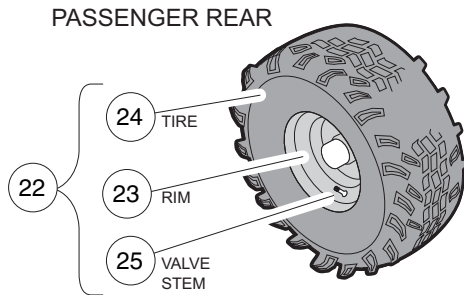
DRIVER FRONT



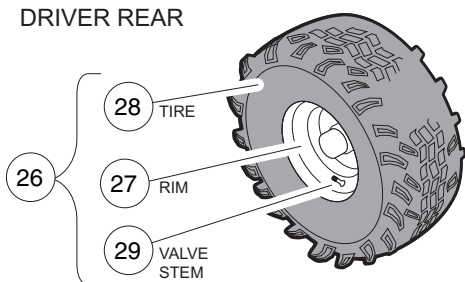
PASSENGER REAR



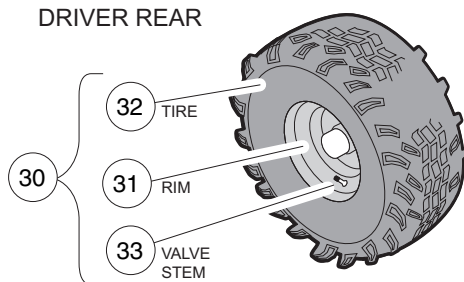
PASSENGER REAR



DRIVER REAR



DRIVER REAR



000269-004

WHEELS AND TIRES, OFF-ROAD TREAD – TURF/CARRYALL 252, TURF/CARRYALL 2 XRT

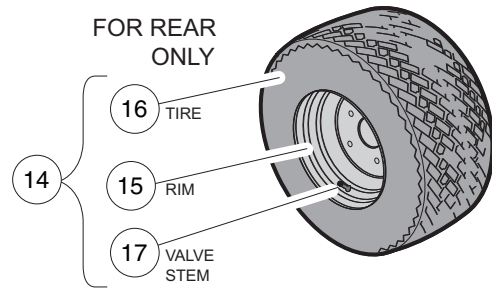
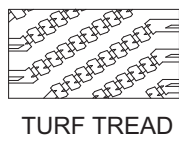
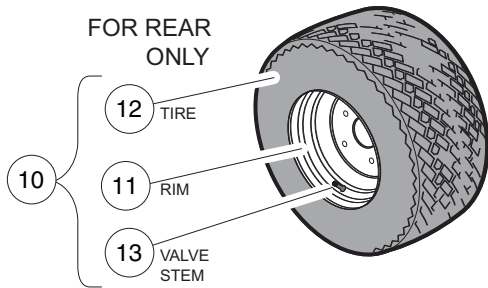
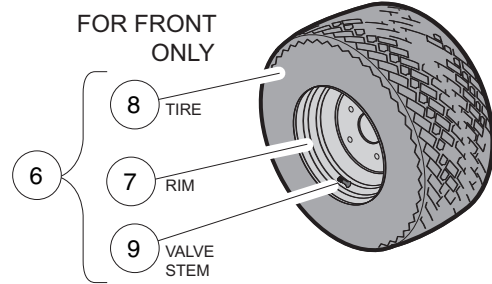
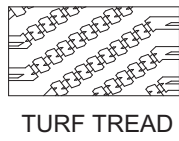
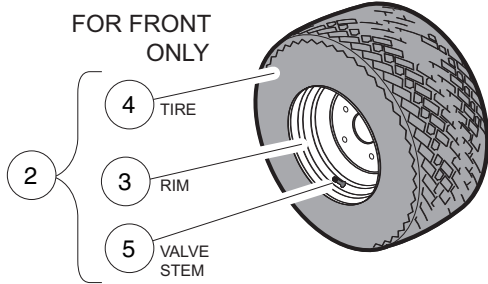
ITEM	PART NO.	DESCRIPTION	QTY
		1 2 3 4	
1	1010984	.500-20 Unf Lug Nut	16
2	102009201	Off-Road Tire and Wheel Asm, Right, Front (includes items 3 through 5)	1
3	N/A	Rim, Wheel, White	1
4	N/A	Tire, Unmounted, Duro, Off-Road Tire, 22 x 11-10, 6-Ply Rated	1
5	7310	Valve Stem	1
6	102009202	Off-Road Tire and Wheel Asm, Right, Front (includes items 7 through 9)	1
7	N/A	Wheel Rim, Silver	1
8	N/A	Tire, Unmounted, Duro, Off-Road Tire, 22 x 11-10, 6-Ply Rated	1
9	7310	Valve Stem	1
10	102009301	Off-Road Tire and Wheel Asm, Left, Front (includes items 11 through 13)	1
11	N/A	Rim, Wheel, White	1
12	N/A	Tire, Unmounted, Duro, Off-Road Tire, 22 x 11-10, 6-Ply Rated	1
13	7310	Valve Stem	1
14	102009302	Off-Road Tire and Wheel Asm, Left, Front (includes items 15 through 17)	1
15	N/A	Wheel Rim, Silver	1
16	N/A	Tire, Unmounted, Duro, Off-Road Tire, 22 x 11-10, 6-Ply Rated	1
17	7310	Valve Stem	1
18	102009401	Off-Road Tire and Wheel Asm, Right, Rear (includes items 19 through 21)	1
19	N/A	Rim, Wheel, White	1
20	N/A	Tire, Unmounted, Duro, Off-Road Tire, 22 x 11-10, 6-Ply Rated	1
21	7310	Valve Stem	1
22	102009402	Off-Road Tire and Wheel Asm, Right, Rear (includes items 23 through 25)	1
23	N/A	Wheel Rim, Silver	1
24	N/A	Tire, Unmounted, Duro, Off-Road Tire, 22 x 11-10, 6-Ply Rated	1
25	7310	Valve Stem	1
26	102009501	Off-Road Tire and Wheel Asm, Left, Rear (includes items 27 through 29)	1
27	N/A	Rim, Wheel, White	1
28	N/A	Tire, Unmounted, Duro, Off-Road Tire, 22 x 11-10, 6-Ply Rated	1
29	7310	Valve Stem	1
30	102009502	Off-Road Tire and Wheel Asm, Left, Rear (includes items 31 through 33)	1
31	N/A	Wheel Rim, Silver	1
32	N/A	Tire, Unmounted, Duro, Off-Road Tire, 22 x 11-10, 6-Ply Rated	1
33	7310	Valve Stem	1
Note: Front and rear wheels are NOT interchangeable. The rear wheels have a different offset than the front wheels. The rear wheels must be installed with the deeper offset facing out. Off-road tires are directional.			

2
G
E



WHITE RIMS

SILVER RIMS



000269-005

WHEELS AND TIRES, TURF TREAD – TURF/CARRYALL 252, TURF/ CARRYALL 2 XRT

ITEM	PART NO.	DESCRIPTION	QTY
		1 2 3 4	
1	1010984	.500-20 Unf Lug Nut	16
2	102009901	Turf Tire and Wheel Asm, Front (includes items 3 through 5)	2
3	N/A	Rim, Wheel, White	1
4	N/A	Tire, Front, Unmounted, Titan Turf Trac, 23 x 10.5-12, 4-Ply Rated	1
5	7310	Valve Stem	1
6	102009902	Turf Tire and Wheel Asm, Front (includes items 7 through 9)	2
7	N/A	Wheel Rim, Silver	1
8	N/A	Tire, Front, Unmounted, Titan Turf Trac, 23 x 10.5-12, 4-Ply Rated	1
9	7310	Valve Stem	1
10	102010001	Turf Tire and Wheel Asm, Rear (includes items 11 through 13)	2
11	N/A	Rim, Wheel, White	1
12	N/A	Tire, Rear, Unmounted, Titan Turf Trac, 23 x 10.5-12, 4-Ply Rated	1
13	7310	Valve Stem	1
14	102010002	Turf Tire and Wheel Asm, Rear (includes items 15 through 17)	2
15	N/A	Wheel Rim, Silver	1
16	N/A	Tire, Rear, Unmounted, Titan Turf Trac, 23 x 10.5-12, 4-Ply Rated	1
17	7310	Valve Stem	1

2
G
E

2

G

E

DECALS

3

G

E

**3
G
E**

WARNING

ROLLOVER OR FALLING OFF MAY CAUSE DEATH.

- Before using vehicle, read operating instructions.
- Remain seated and hold on to seat handle while moving.
- Do not start vehicle until all occupants are seated.
- Two (2) persons per seat maximum.
- Operate from driver side only and not on public roads.
- Keep entire body inside vehicle while moving.
- Drive slowly in turns and straight up and down slopes.
- Do not leave children unattended on vehicle.
- Never operate under the influence of alcohol or drugs.
- Use brakes to reduce speed when coasting downhill.
- Never stand in front of or behind vehicle.

CCI 101960501

OPERATING INSTRUCTIONS

- Read owner's manual and safety warnings located on dash panel prior to driving.
- Study and understand controls.

TO OPERATE

- Turn wheels to desired direction and ensure path is clear.
- Turn key to ON position.
- While stopped, place shift lever in desired position:
F - Forward N - Neutral R - Reverse (Buzzer will sound)
- Park brake will release and vehicle will start moving when accelerator pedal is pressed.
- Slowly press accelerator pedal to increase speed.
- To stop, release accelerator pedal and press brake pedal.

BEFORE LEAVING

- Press park brake pedal until it locks and holds vehicle.
- Place Forward/Reverse switch in NEUTRAL position.
- Turn key OFF and remove key when not in use.

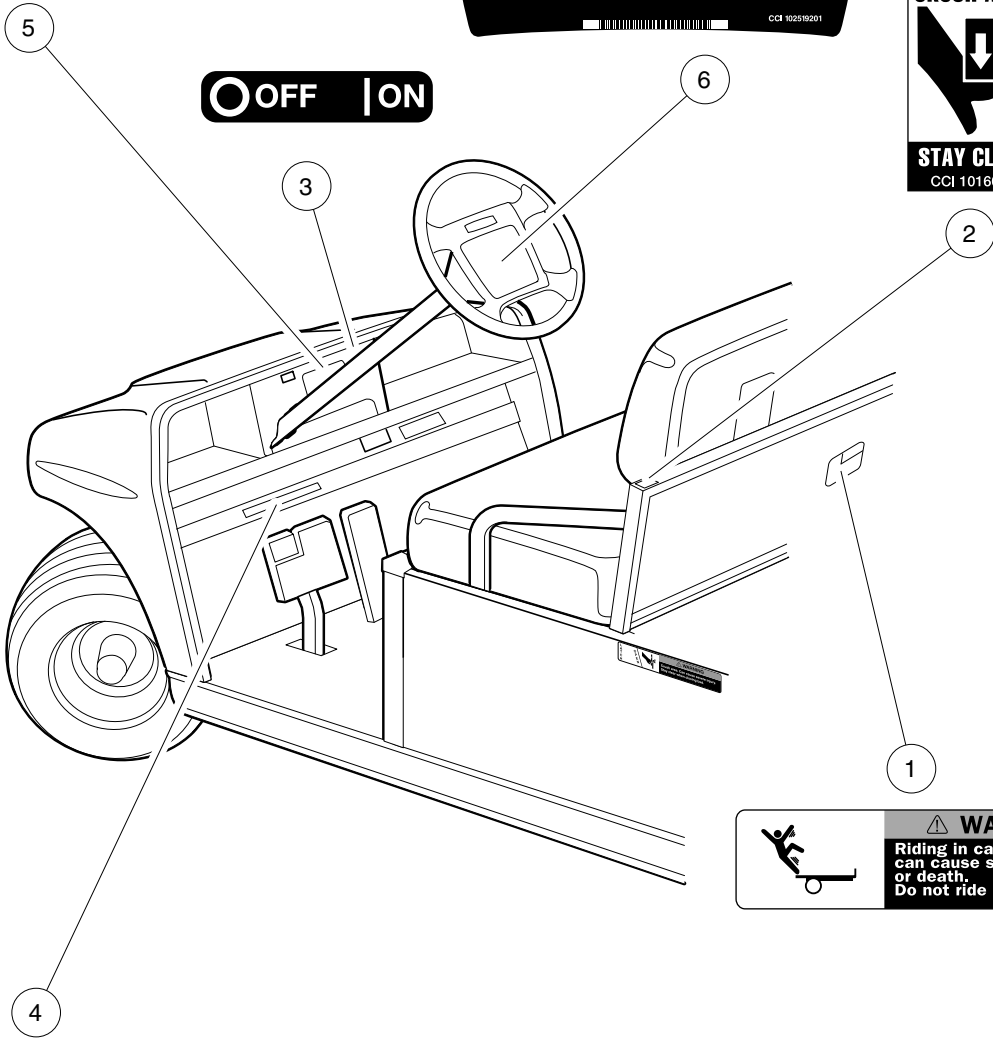
CCI 102519201

WARNING

CRUSH AREA

STAY CLEAR

CCI 1016094-01



OFF | ON

WARNING

Riding in cargo bed can cause severe injury or death. Do not ride in cargo bed.

CCI 1015639-01

VEHICLE LOADING

Read owner's manual and warnings on dash.

- Vehicle rated capacity - 800 lb on level surface only. Weight to include passengers, cargo bed load, and gross trailer weight. See owner's manual.
- Maximum cargo load - 300 lb. Weight to include cargo bed load and gross trailer weight.
- Maximum trailer hitch tongue weight - 150 lbs.
- Cargo should be evenly spread over the floor of the cargo bed as far forward as possible and secured.
- For vehicle stability, when fully loaded, drive slowly and avoid stopping on or backing down steep hills.
- Avoid top heavy loads. See owner's manual.
- When driving on uneven terrain or down steep hills, reduce speed and load.

CCI 101960101

000270-001

DECALS – TURF/CARRYALL 1 GASOLINE AND ELECTRIC VEHICLES

ITEM	PART NO.	DESCRIPTION	QTY
		1 2 3 4	
1	101553901	Decal, Bed Load Warning	1
2	101609401	Decal, Crush Area Warning	2
3	101825101	Decal, Off/On	1
4	101960101	Decal, Vehicle Loading	1
5	101960601	Decal, Dash Warning	1
6	102519201	Decal, Operating Instr, Gas	1

3
G
E

⚠ DANGER / POISON

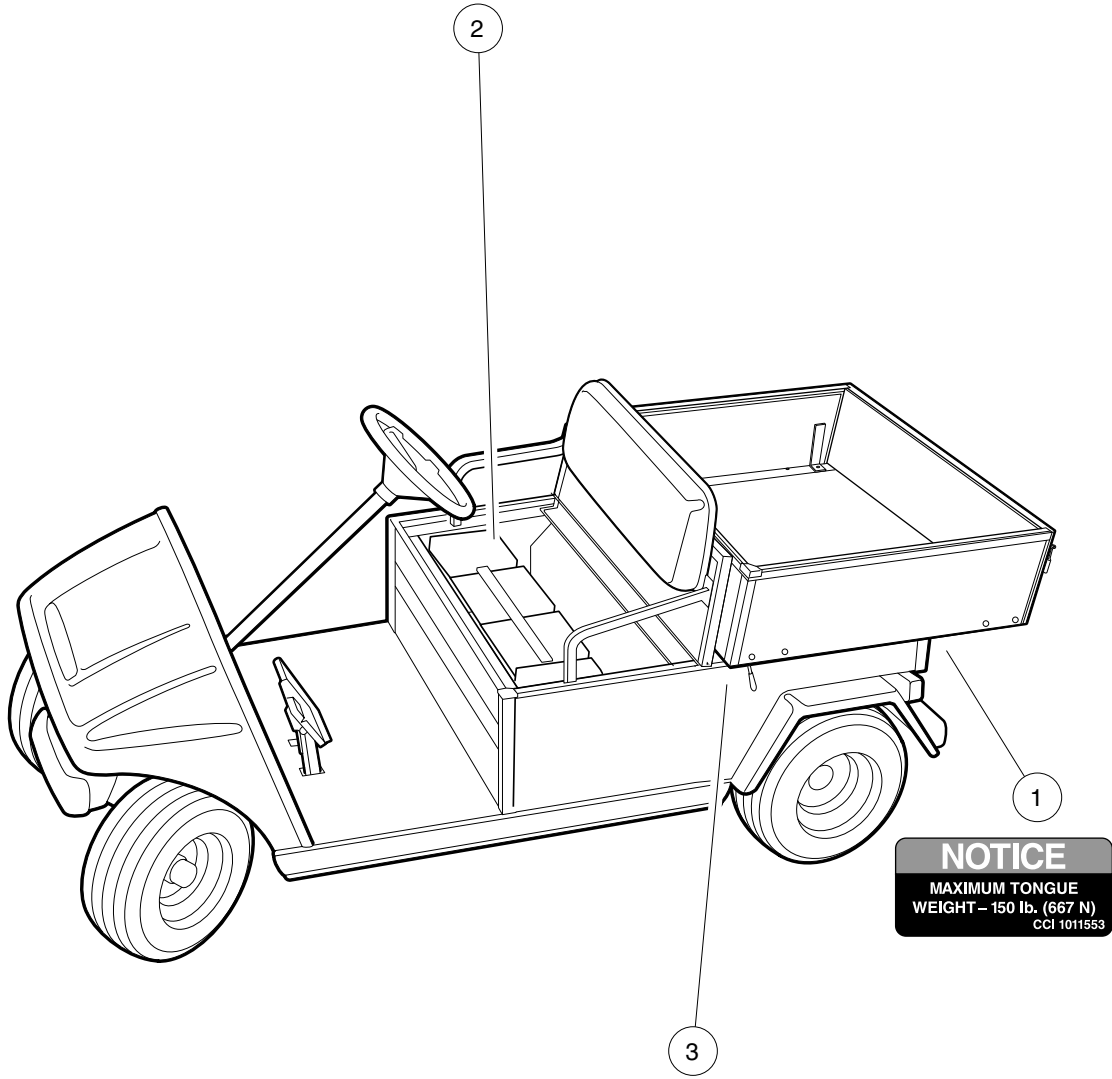
SHIELD EYES
EXPLOSIVE GASES CAN CAUSE BLINDNESS TO BURN

NO SPARKS
FLAMES
SMOKING

SULFURIC ACID CAN CAUSE BLINDNESS OR SEVERE BURNS

FLUSH EYES IMMEDIATELY WITH WATER
GET MEDICAL HELP FAST

KEEP OUT OF THE REACH OF CHILDREN - DO NOT TIP - KEEP VENT CAPS TIGHT AND LEVEL



NOTICE
MAXIMUM TONGUE WEIGHT - 150 lb. (667 N)
CCI 1011553

LATCH / **OPEN**

⚠ WARNING
Crush area. Can cause severe injury. Stay clear when closing bed.
CCI 102459301

000271-001

DECALS – TURF 1/CARRYALL 1 POWERDRIVE VEHICLES

ITEM	PART NO.	DESCRIPTION	QTY
		1 2 3 4	
1	1011553	Decal, Trailer Hitch	1
2	1013677	Decal, Battery Danger	6
3	102459301	Decal, Bed Crush Area Warning	1

3
G
E

⚠ DANGER / POISON

SHIELD EYES
EXPLOSIVE GASES: FIRE/HAZARD: BLINDNESS OR INJURY

NO SPARKS
FLAMES
SMOKING

SULFURIC ACID
CAN CAUSE BLINDNESS OR SEVERE BURNS

FLUSH EYES IMMEDIATELY WITH WATER
SEE MEDICAL HELP FAST

KEEP OUT OF THE REACH OF CHILDREN - DO NOT TIP - KEEP VENT CAPS TIGHT AND LEVEL

IMPORTANT NOTICE

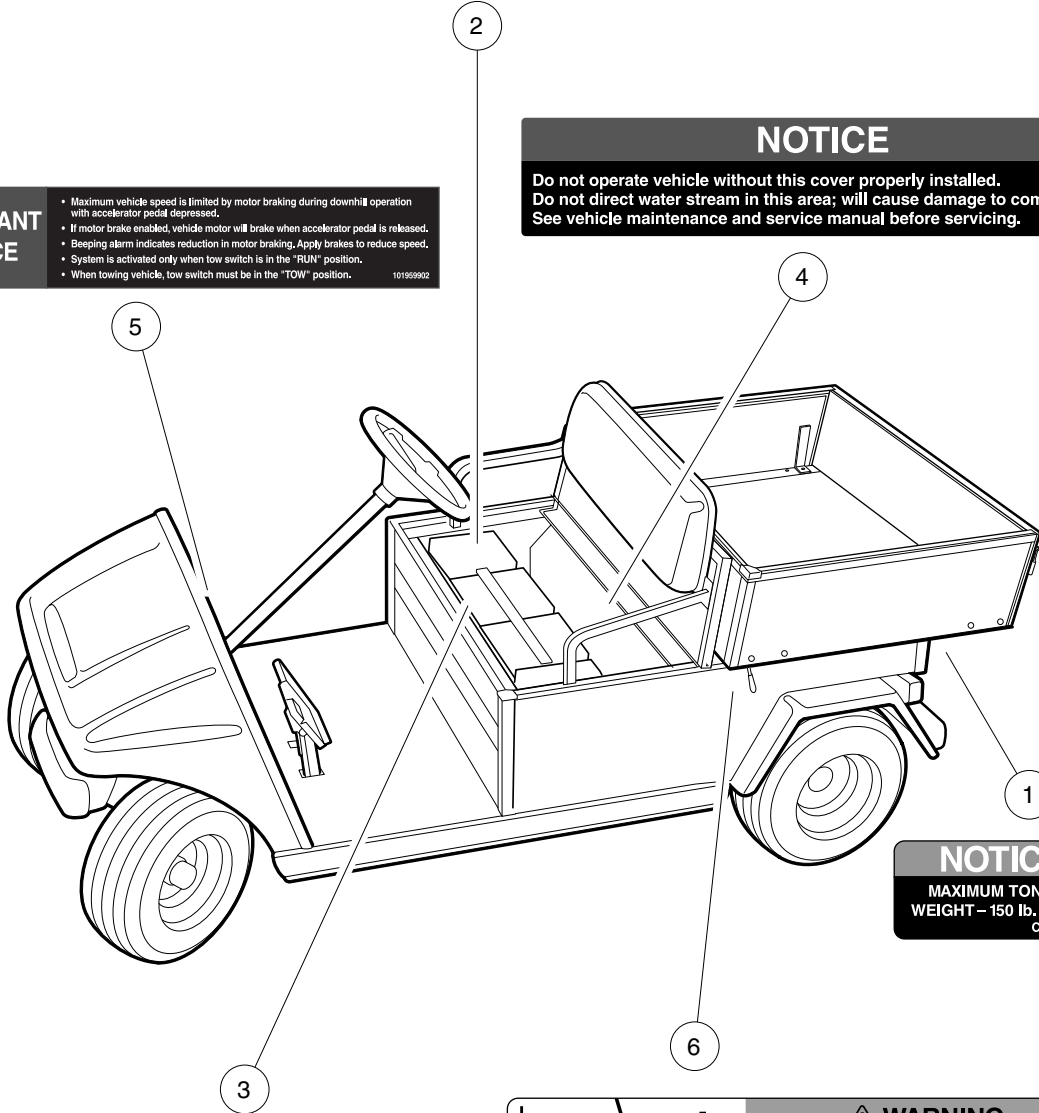
- Maximum vehicle speed is limited by motor braking during downhill operation with accelerator pedal depressed.
- If motor brake enabled, vehicle motor will brake when accelerator pedal is released.
- Beeping alarm indicates reduction in motor braking. Apply brakes to reduce speed.
- System is activated only when tow switch is in the "RUN" position.
- When towing vehicle, tow switch must be in the "TOW" position.

101159902

NOTICE

Do not operate vehicle without this cover properly installed. Do not direct water stream in this area; will cause damage to components. See vehicle maintenance and service manual before servicing.

CCI 101931501



NOTICE

MAXIMUM TONGUE WEIGHT - 150 lb. (667 N)

CCI 1011553

⚠ WARNING TOW RUN

Place Tow/Run switch in TOW position before:

- Disconnecting or connecting batteries
- Towing
- Extended storage
- Servicing

FAILURE TO HEED THIS WARNING COULD RESULT IN A BATTERY EXPLOSION OR SEVERE PERSONAL INJURY.

CCI 10190801

LATCH OPEN

⚠ WARNING

Crush area. Can cause severe injury. Stay clear when closing bed.

CCI 10249301

000272-001

DECALS – TURF/CARRYALL 1 IQ SYSTEM VEHICLES

ITEM	PART NO.	DESCRIPTION	QTY
		1 2 3 4	
1	1011553	Decal, Trailer Hitch	1
2	1013677	Decal, Battery Danger	6
3	101908601	Decal, Tow/Run Switch Warning	1
4	101931501	Decal, Component Cover	1
5	101959902	Decal, IQ System Motor Braking	1
6	102459301	Decal, Bed Crush Area Warning	1

3
G
E

⚠ WARNING

GASOLINE EXPLOSION / FIRE.

- Can cause severe injury or death.
- No smoking, sparks, or open flame.
- Stop engine, allow to cool before refueling.
- Turn fuel valve (←) on during operation. (→) off during storage or transport.

CCI 101547601

⚠ WARNING

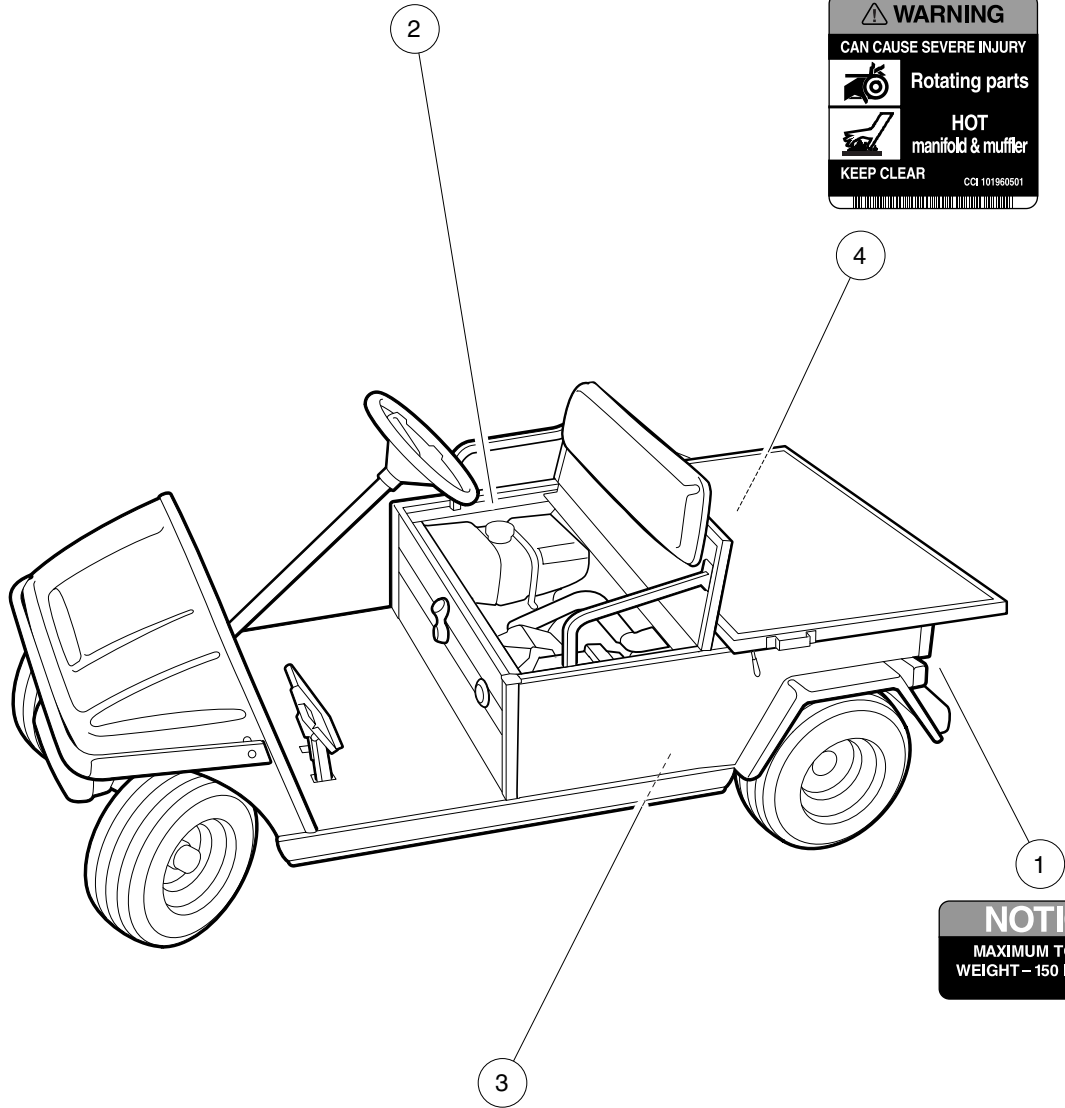
CAN CAUSE SEVERE INJURY

Rotating parts

HOT manifold & muffler

KEEP CLEAR

CCI 101960501



NOTICE

MAXIMUM TONGUE WEIGHT - 150 lb. (667 N)

CCI 1011553

	<p>⚠ WARNING</p> <p>Negative frame ground. Can cause severe injury. Do not contact positive (+) battery post or cable to frame. Disconnect negative battery cable first.</p>		<p>⚠ WARNING</p> <p>Excessive speed can cause severe injury or death. Do not tamper with engine governor adjustment.</p> <p>CCI 101915201</p>
--	-------------------------------------------------------------------------------------------------------------------------------------------------------------------------------------	--	------------------------------------------------------------------------------------------------------------------------------------------------------

000273-001

DECALS – TURF/CARRYALL 1 GASOLINE VEHICLES

ITEM	PART NO.	DESCRIPTION	QTY
		1 2 3 4	
1	1011553	Decal, Trailer Hitch	1
2	101547601	Decal, Gasoline Explosion/Fire Warning	1
3	101915201	Decal, Frame Ground and Governor Warning	1
4	101960501	Decal, Rotating Parts/Hot Manifold	2

3
G
E

**3
G
E**

⚠ WARNING

ROLLOVER OR FALLING OFF MAY CAUSE DEATH.

- Before using vehicle, read operating instructions.
- Remain seated and hold on to seat handle while moving.
- Do not start vehicle until all occupants are seated.
- Two (2) persons per seat maximum.
- Operate from driver side only and not on public roads.
- Keep entire body inside vehicle while moving.
- Drive slowly in turns and straight up and down slopes.
- Do not leave children unattended on vehicle.
- Never operate under the influence of alcohol or drugs.
- Use brakes to reduce speed when coasting downhill.
- Never stand in front of or behind vehicle.

CCI 101960501

OPERATING INSTRUCTIONS

- Read owner's manual and safety warnings located on dash panel prior to driving.
- Study and understand controls.

TO OPERATE

- Turn wheels to desired direction and ensure path is clear.
- Turn key to ON position.
- While stopped, place shift lever in desired position:
F – Forward N – Neutral R – Reverse (Buzzer will sound)
- Park brake will release and vehicle will start moving when accelerator pedal is pressed.
- Slowly press accelerator pedal to increase speed.
- To stop, release accelerator pedal and press brake pedal.

BEFORE LEAVING

- Press park brake pedal until it locks and holds vehicle.
- Place Forward/Reverse switch in NEUTRAL position.
- Turn key OFF and remove key when not in use.

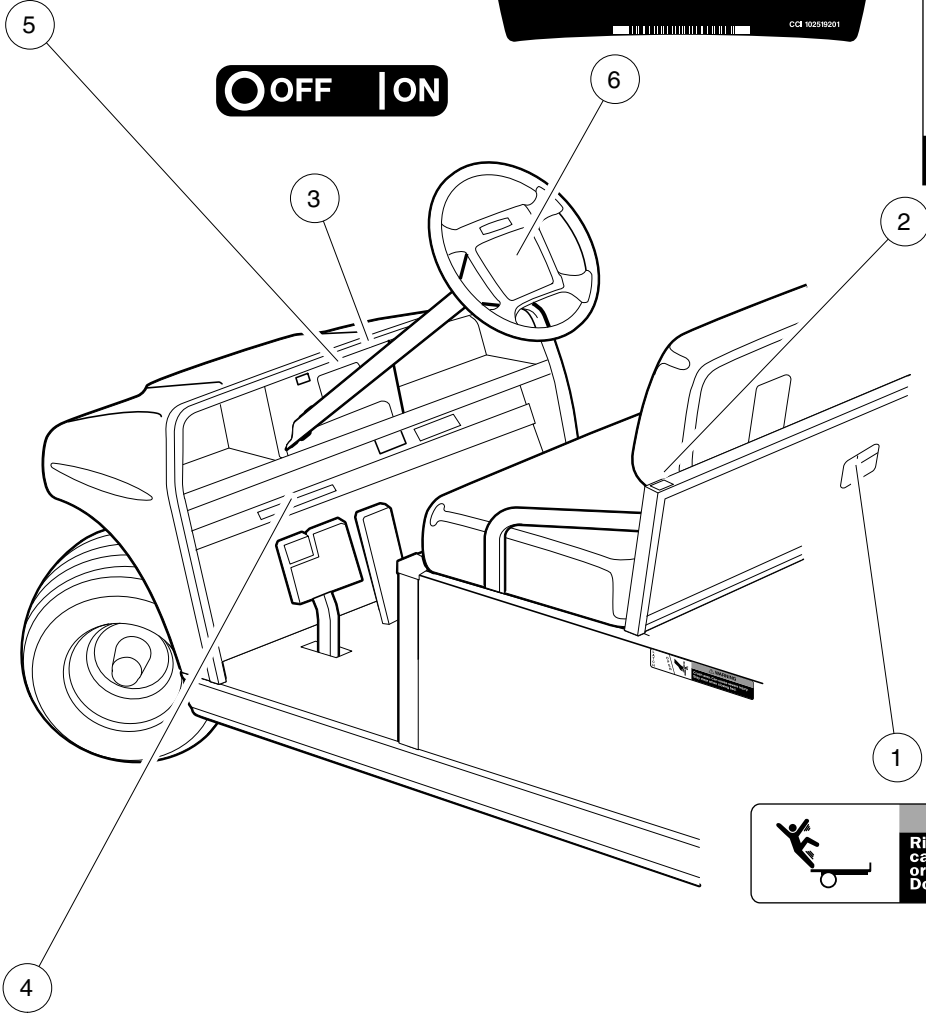
CCI 10239201

⚠ WARNING

CRUSH AREA

STAY CLEAR

CCI 1016094-01



⚠ WARNING

Riding in cargo bed can cause severe injury or death. Do not ride in cargo bed.

CCI 1015639-01

VEHICLE LOADING

Read Owner's Manual and warnings on dash.

- Vehicle rated capacity - 1200 lbs. on level surface only. Weight to include passengers, cargo bed load, and gross trailer weight. See Owner's Manual.
- Maximum cargo load - 800 lbs. Weight to include cargo bed load and gross trailer weight.
- Maximum trailer hitch tongue weight - 150 lbs.
- Cargo should be evenly spread over the floor of the cargo bed as far forward as possible and secured.
- For vehicle stability, when fully loaded, drive slowly and avoid stopping on or backing down steep hills.
- Avoid top heavy loads. See Owner's Manual.
- When driving on uneven terrain or down steep hills, reduce speed and load.

CCI 101960201

000274-001

DECALS – TURF/CARRYALL 2 GASOLINE AND ELECTRIC VEHICLES

ITEM	PART NO.	DESCRIPTION	QTY
		1 2 3 4	
1	101553901	Decal, Bed Load Warning	1
2	101609401	Decal, Crush Area Warning	2
3	101825101	Decal, Off/On	1
4	101960201	Decal, Vehicle Loading	1
5	101960601	Decal, Dash Warning	1
6	102519201	Decal, Operating Instr, Gas	1

3
G
E

⚠ DANGER / POISON

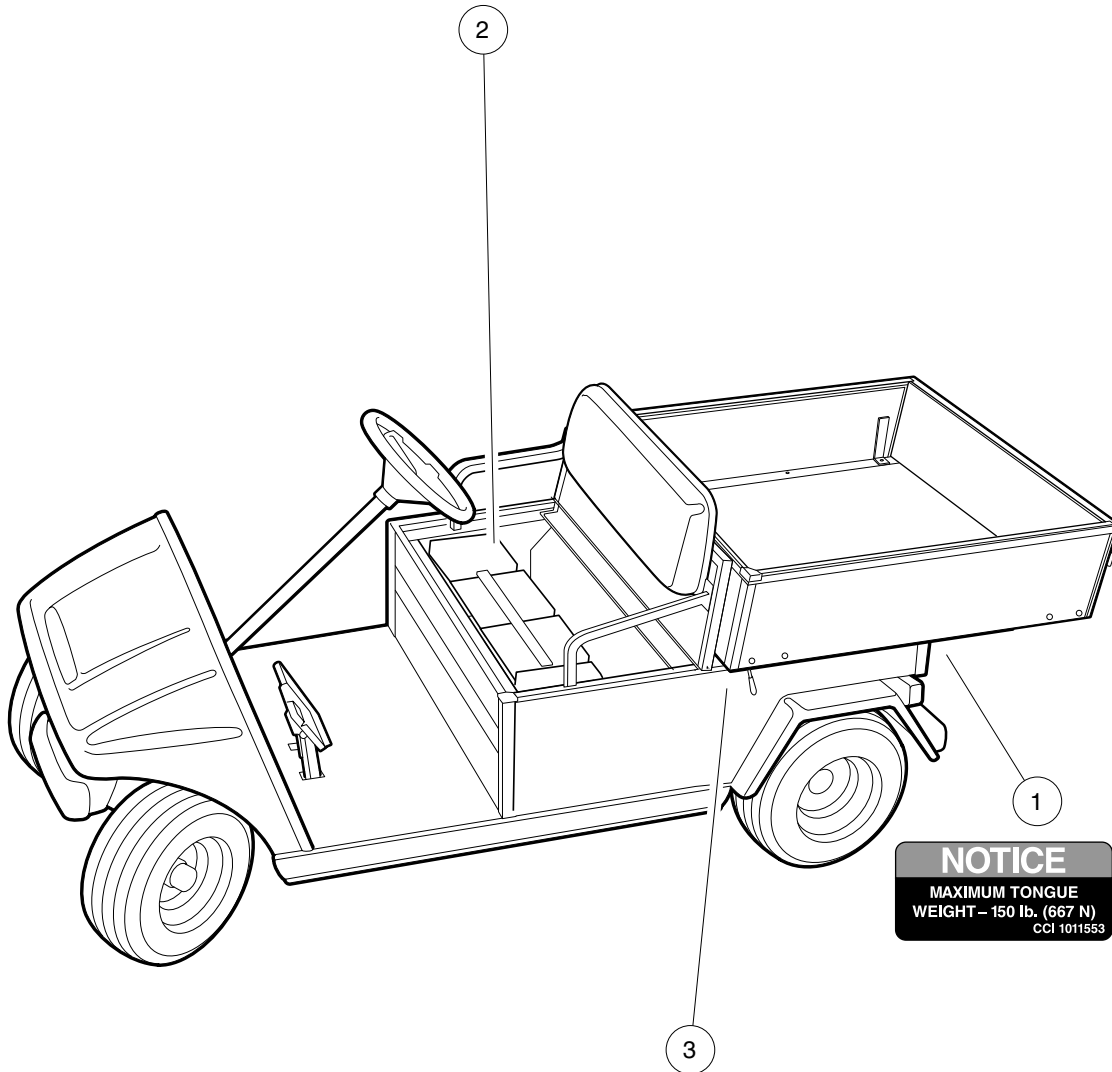
SHIELD EYES
EXPLOSIVE GASES CAN CAUSE BLINDNESS TO BURN

NO
• SPARKS
• FLAMES
• SMOKING

SULFURIC ACID CAN CAUSE BLINDNESS OR SEVERE BURNS

FLUSH EYES IMMEDIATELY WITH WATER
GET MEDICAL HELP FAST

KEEP OUT OF THE REACH OF CHILDREN - DO NOT TIP - KEEP VENT CAPS TIGHT AND LEVEL



NOTICE
MAXIMUM TONGUE WEIGHT - 150 lb. (667 N)
CCI 1011553

L
A
T
C
H

OPEN

⚠ WARNING
Crush area. Can cause severe injury.
Stay clear when closing bed.
CCI 102459301

000275-001

DECALS – TURF/CARRYALL 2 POWERDRIVE VEHICLES

ITEM	PART NO.	DESCRIPTION	QTY
		1 2 3 4	
1	1011553	Decal, Trailer Hitch	1
2	1013677	Decal, Battery Danger	6
3	102459301	Decal, Bed Crush Area Warning	1

3
G
E

⚠ WARNING

GASOLINE EXPLOSION / FIRE.

- Can cause severe injury or death.
- No smoking, sparks, or open flame.
- Stop engine, allow to cool before refueling.
- Turn fuel valve (←) on during operation. (→) off during storage or transport.

CCI 101547601

⚠ WARNING

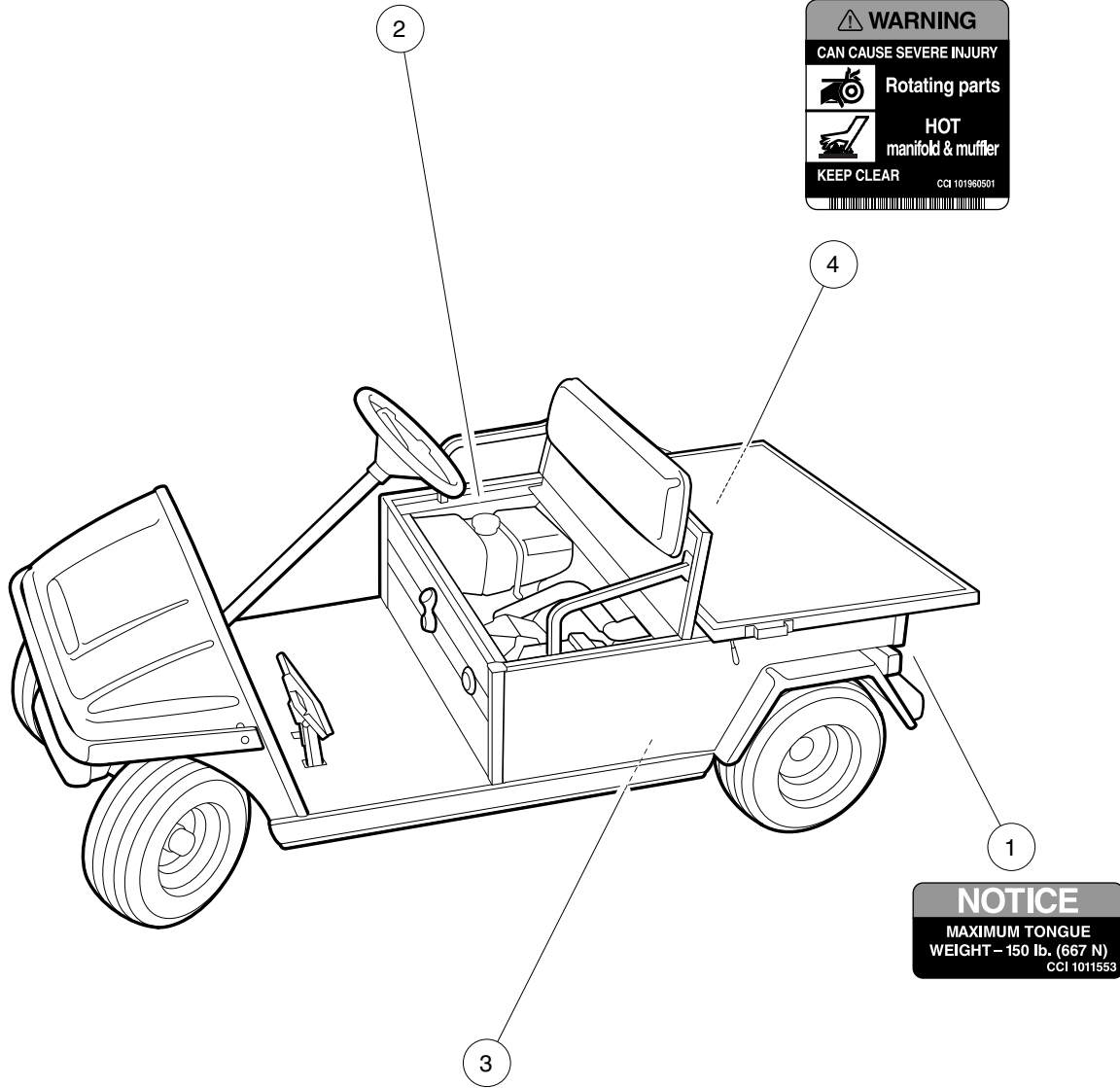
CAN CAUSE SEVERE INJURY

Rotating parts

HOT manifold & muffler

KEEP CLEAR

CCI 101960501



NOTICE

MAXIMUM TONGUE WEIGHT - 150 lb. (667 N)

CCI 1011553

	<p>⚠ WARNING</p> <p>Negative frame ground. Can cause severe injury. Do not contact positive (+) battery post or cable to frame. Disconnect negative battery cable first.</p>		<p>⚠ WARNING</p> <p>Excessive speed can cause severe injury or death. Do not tamper with engine governor adjustment.</p> <p>CCI 101915201</p>
--	-------------------------------------------------------------------------------------------------------------------------------------------------------------------------------------	--	------------------------------------------------------------------------------------------------------------------------------------------------------

000276-001

DECALS – TURF/CARRYALL 2 GASOLINE VEHICLES

ITEM	PART NO.	DESCRIPTION	QTY
		1 2 3 4	
1	1011553	Decal, Trailer Hitch	1
2	101547601	Decal, Gasoline Explosion/Fire Warning	1
3	101915201	Decal, Frame Ground and Governor Warning	1
4	101960501	Decal, Rotating Parts/Hot Manifold	2

3
G
E

⚠ WARNING

ROLLOVER OR FALLING OFF MAY CAUSE DEATH.

- Before using vehicle, read operating instructions.
- Remain seated and hold on to seat handle while moving.
- Do not start vehicle until all occupants are seated.
- Two (2) persons per seat maximum.
- Operate from driver side only and not on public roads.
- Keep entire body inside vehicle while moving.
- Drive slowly in turns and straight up and down slopes.
- Do not leave children unattended on vehicle.
- Never operate under the influence of alcohol or drugs.
- Use brakes to reduce speed when coasting downhill.
- Never stand in front of or behind vehicle.

CCI 101960601

OPERATING INSTRUCTIONS

- Read Owner's Manual and safety warnings located on dash panel prior to driving.
- Study and understand controls.

TO START ENGINE

- Place shift lever in "N" - Neutral position.
- Depress brake pedal.
- Turn key switch to "START" position and release.

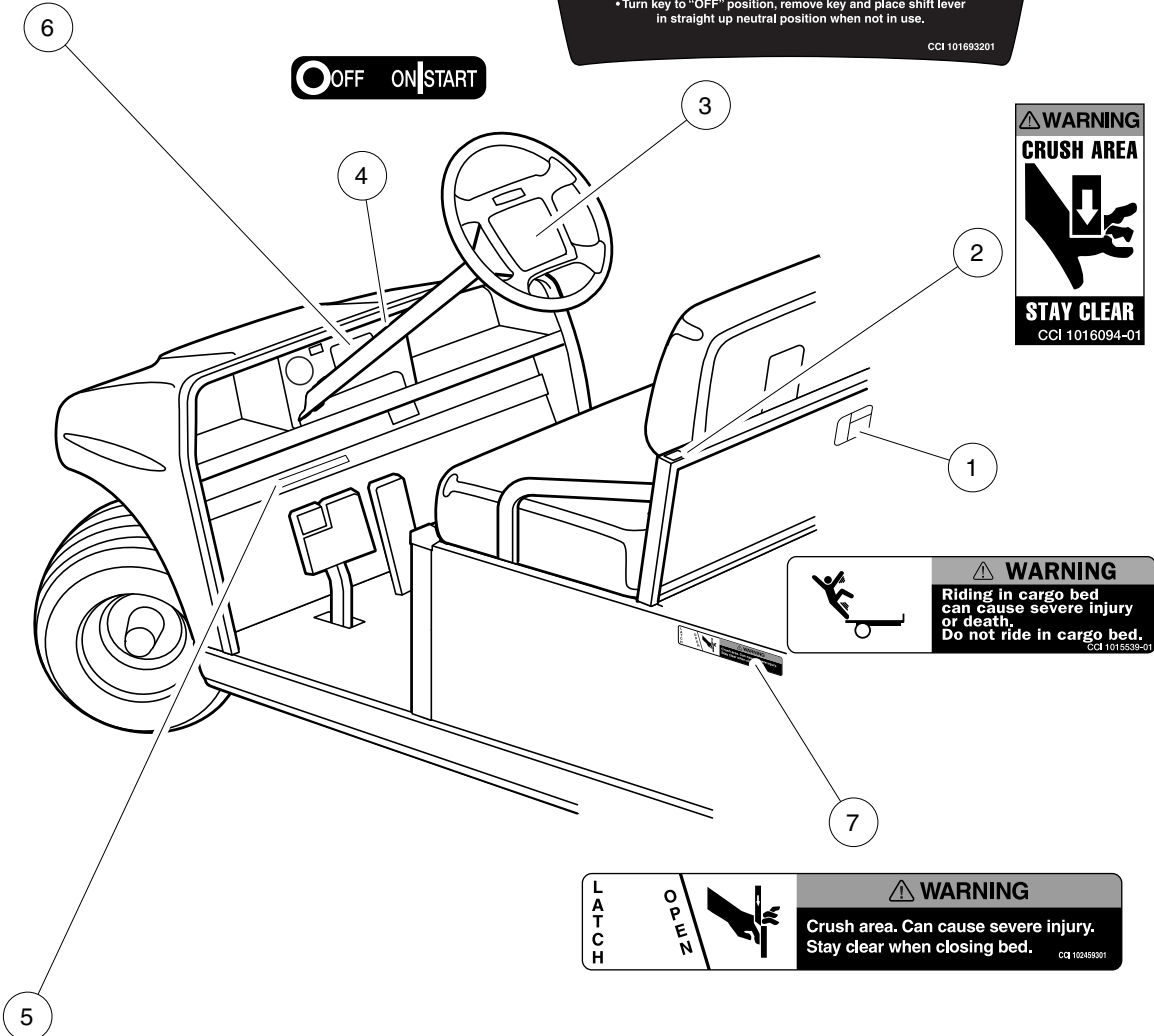
TO OPERATE VEHICLE

- Make sure wheels are turned in desired direction.
- Be sure nothing is in your path.
- While vehicle is stopped, and engine is at idle, select vehicle direction by placing shift lever or switch in desired position.
- F - Forward N - Neutral R - Reverse (Buzzer will sound)
- Park brake will release when accelerator pedal is pushed.
- Slowly push accelerator pedal to increase speed.
- Engine must be at idle before moving shift lever.

TO STOP VEHICLE

- Release accelerator pedal and push brake pedal.
- After stopping, firmly push park brake until it locks.
- Turn key to "OFF" position, remove key and place shift lever in straight up neutral position when not in use.

CCI 101693201



VEHICLE LOADING

Read Owner's Manual and warnings on dash.

- Vehicle rated capacity - 1200 lbs. on level surface only. Weight to include passengers, cargo bed load, and gross trailer weight. See Owner's Manual.
- Maximum cargo load - 800 lbs. Weight to include cargo bed load and gross trailer weight.
- Maximum trailer hitch tongue weight - 150 lbs.

- Cargo should be evenly spread over the floor of the cargo bed as far forward as possible and secured.
 - For vehicle stability, when fully loaded, drive slowly and avoid stopping on or backing down steep hills.
 - Avoid top heavy loads. See Owner's Manual.
 - When driving on uneven terrain or down steep hills, reduce speed and load.
- CCI 101960201

000277-001

DECALS – CARRYALL 2 PLUS

ITEM	PART NO.	DESCRIPTION	QTY
		1 2 3 4	
1	101553901	Decal, Bed Load Warning	1
2	101609401	Decal, Crush Area Warning	2
3	101693201	Decal, Operating Instructions, Key-Start	1
4	101825102	Decal, Off/On/Start	1
5	101960201	Decal, Vehicle Loading	1
6	101960601	Decal, Dash Warning	1
7	102459301	Decal, Bed Crush Area Warning	1

3
G
E

⚠ WARNING

GASOLINE EXPLOSION / FIRE.

- Can cause severe injury or death.
- No smoking, sparks, or open flame.
- Stop engine, allow to cool before refueling.
- Turn fuel valve (←) on during operation, (→) off during storage or transport.

CCI 101547601

⚠ WARNING

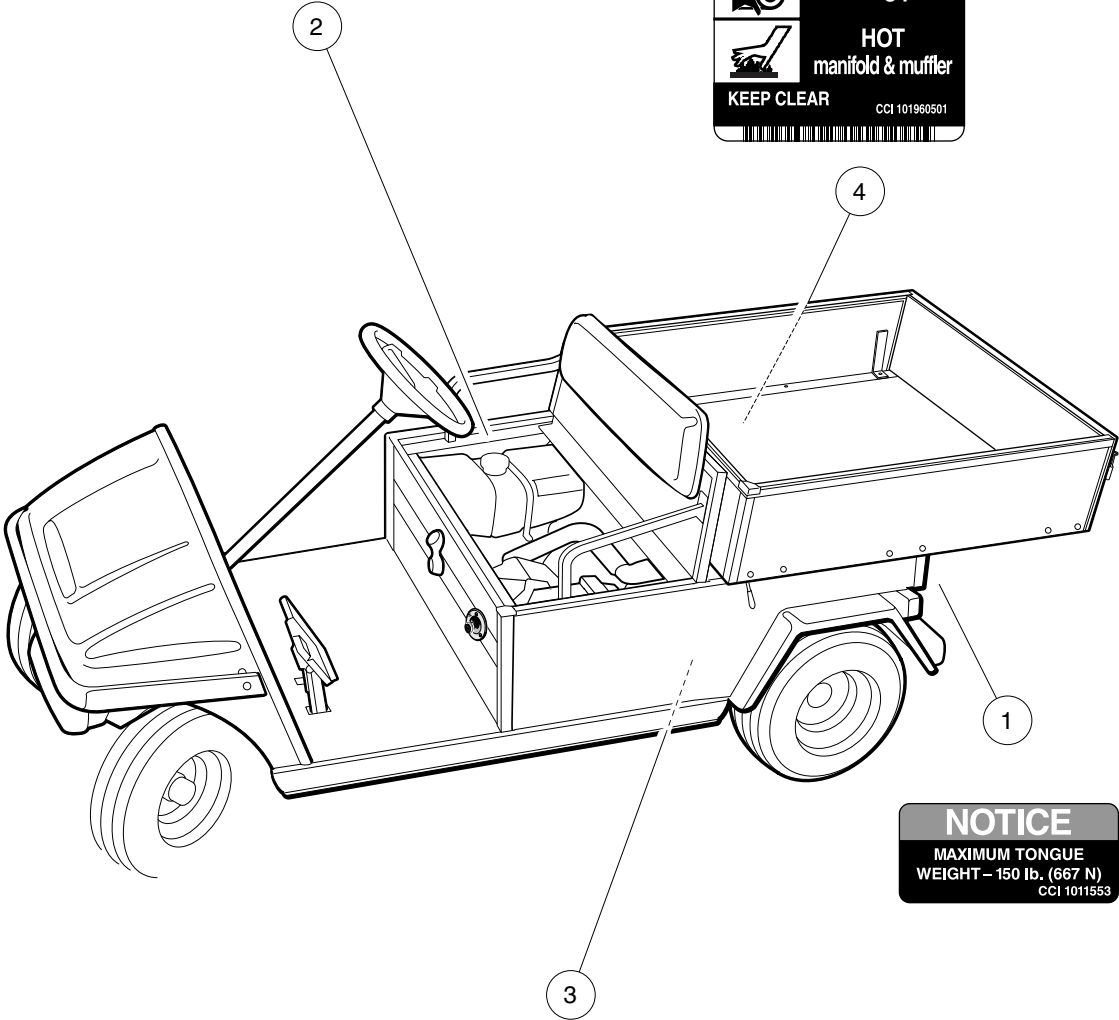
CAN CAUSE SEVERE INJURY

Rotating parts

HOT manifold & muffler

KEEP CLEAR

CCI 101960501



NOTICE

MAXIMUM TONGUE WEIGHT – 150 lb. (667 N)

CCI 1011553

	<p>⚠ WARNING</p> <p>Negative frame ground. Can cause severe injury. Do not contact positive (+) battery post or cable to frame. Disconnect negative battery cable first.</p>		<p>⚠ WARNING</p> <p>Excessive speed can cause severe injury or death. Do not tamper with engine governor adjustment.</p> <p>CCI 101915201</p>
--	-------------------------------------------------------------------------------------------------------------------------------------------------------------------------------------	--	------------------------------------------------------------------------------------------------------------------------------------------------------

000278-001

DECALS – CARRYALL 2 PLUS, CONTINUED

ITEM	PART NO.	DESCRIPTION	QTY
		1 2 3 4	
1	1011553	Decal, Trailer Hitch	1
2	101547601	Decal, Gasoline Explosion/Fire Warning	1
3	101915201	Decal, Frame Ground and Governor Warning	1
4	101960501	Decal, Rotating Parts/Hot Manifold	2

3
G
E

⚠ WARNING

ROLLOVER OR FALLING OFF MAY CAUSE DEATH.

- Before using vehicle, read operating instructions.
- Remain seated and hold on to seat handle while moving.
- Do not start vehicle until all occupants are seated.
- Two (2) persons per seat maximum.
- Operate from driver side only and not on public roads.
- Keep entire body inside vehicle while moving.
- Drive slowly in turns and straight up and down slopes.
- Do not leave children unattended on vehicle.
- Never operate under the influence of alcohol or drugs.
- Use brakes to reduce speed when coasting downhill.
- Never stand in front of or behind vehicle.

CCI 101960601

⚠ WARNING

CRUSH AREA

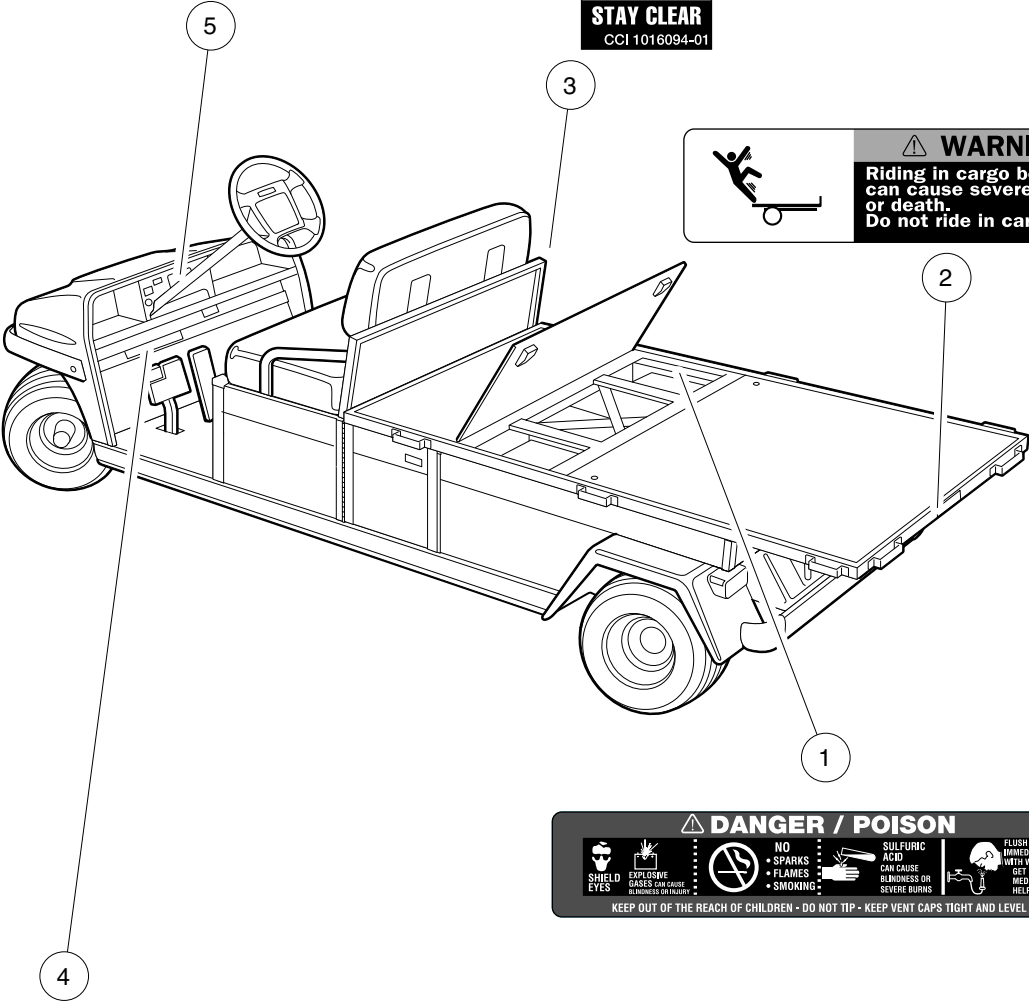
STAY CLEAR

CCI 1016094-01

⚠ WARNING

Riding in cargo bed can cause severe injury or death. Do not ride in cargo bed.

CCI 1015639-01



⚠ DANGER / POISON

SHIELD EYES	EXPLOSIVE GASES CAN CAUSE BLINDNESS OR INJURY	NO SPARKS, FLAMES OR SMOKING	SULFURIC ACID CAN CAUSE BLINDNESS OR SEVERE BURNS	FLUSH EYES IMMEDIATELY WITH WATER. GET MEDICAL HELP FAST.
-------------	-----------------------------------------------	------------------------------	---------------------------------------------------	-----------------------------------------------------------

KEEP OUT OF THE REACH OF CHILDREN - DO NOT TIP - KEEP VENT CAPS TIGHT AND LEVEL

VEHICLE LOADING

Read owner's manual and warnings on dash.

- Vehicle rated capacity - 1500 lb on level surface only. Weight to include passengers, cargo bed load, and gross trailer weight. See owner's manual.
- Maximum cargo load CARRYALL 6 or TURF 6 - 1000 lb, TRANSPORTER - 300 lb. Weight to include cargo bed load and gross trailer weight.
- Maximum trailer hitch tongue weight - 150 lbs.

- Cargo should be evenly spread over the floor of the cargo bed as far forward as possible and secured.
 - For vehicle stability, when fully loaded, drive slowly and avoid stopping on or backing down steep hills.
 - Avoid top heavy loads. See owner's manual.
 - When driving on uneven terrain or down steep hills, reduce speed and load.
- CCI 101960001

000279-001

DECALS – CARRYALL 6 POWERDRIVE VEHICLES

ITEM	PART NO.	DESCRIPTION	QTY
		1 2 3 4	
1	1013677	Decal, Battery Danger	6
2	101553901	Decal, Bed Load Warning	1
3	101609401	Decal, Crush Area Warning	2
4	101960001	Decal, Vehicle Loading	1
5	101960601	Decal, Dash Warning	1

3
G
E

OPERATING INSTRUCTIONS

- Read owner's manual and safety warnings located on dash panel prior to driving.
- Study and understand controls.

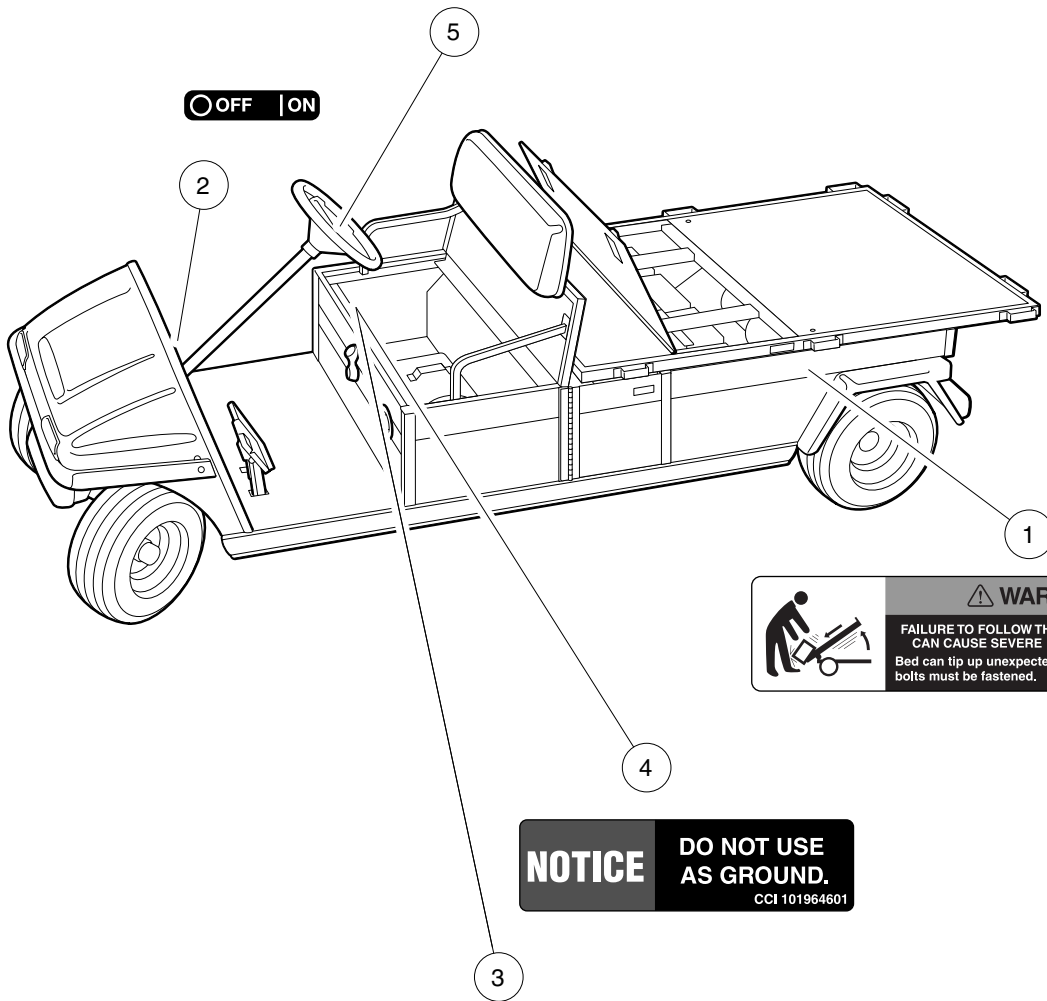
TO OPERATE

- Turn wheels to desired direction and ensure path is clear.
- Turn key to **ON** position.
- While stopped, place shift lever in desired position:
F = Forward **N** = Neutral **R** = Reverse (Buzzer will sound)
- Park brake will release and vehicle will start moving when accelerator pedal is pressed.
- Slowly press accelerator pedal to increase speed.
- To stop, release accelerator pedal and press brake pedal.

BEFORE LEAVING

- Press park brake pedal until it locks and holds vehicle.
- Place Forward/Reverse switch in **NEUTRAL** position.
- Turn key **OFF** and remove key when not in use.

CCI 10259201



WARNING

FAILURE TO FOLLOW THESE INSTRUCTIONS CAN CAUSE SEVERE INJURY OR DEATH. Bed can tip up unexpectedly. Bed hold down bolts must be fastened.

CCI 101707801

NOTICE

DO NOT USE AS GROUND.

CCI 101964601

NOTICE

Do not operate vehicle without this cover properly installed. Do not direct water stream in this area; will cause damage to components. See vehicle maintenance and service manual before servicing.

CCI 101931501

000280-001

DECALS – CARRYALL 6 POWERDRIVE VEHICLES, CONTINUED

ITEM	PART NO.	DESCRIPTION	QTY
		1 2 3 4	
1	101707801	Decal, Bed Hold-Down Bolts	1
2	101825101	Decal, Off/On	1
3	101931501	Decal, Component Cover	1
4	101964601	Decal, No Ground Warning	1
5	102519201	Decal, Operating Instr, Gas	1

3

G

E

WARNING

ROLLOVER OR FALLING OFF MAY CAUSE DEATH.

- Before using vehicle, read operating instructions.
- Remain seated and hold on to seat handle while moving.
- Do not start vehicle until all occupants are seated.
- Two (2) persons per seat maximum.
- Operate from driver side only and not on public roads.
- Keep entire body inside vehicle while moving.
- Drive slowly in turns and straight up and down slopes.
- Do not leave children unattended on vehicle.
- Never operate under the influence of alcohol or drugs.
- Use brakes to reduce speed when coasting downhill.
- Never stand in front of or behind vehicle.

CCI 101960601

WARNING

CRUSH AREA

STAY CLEAR

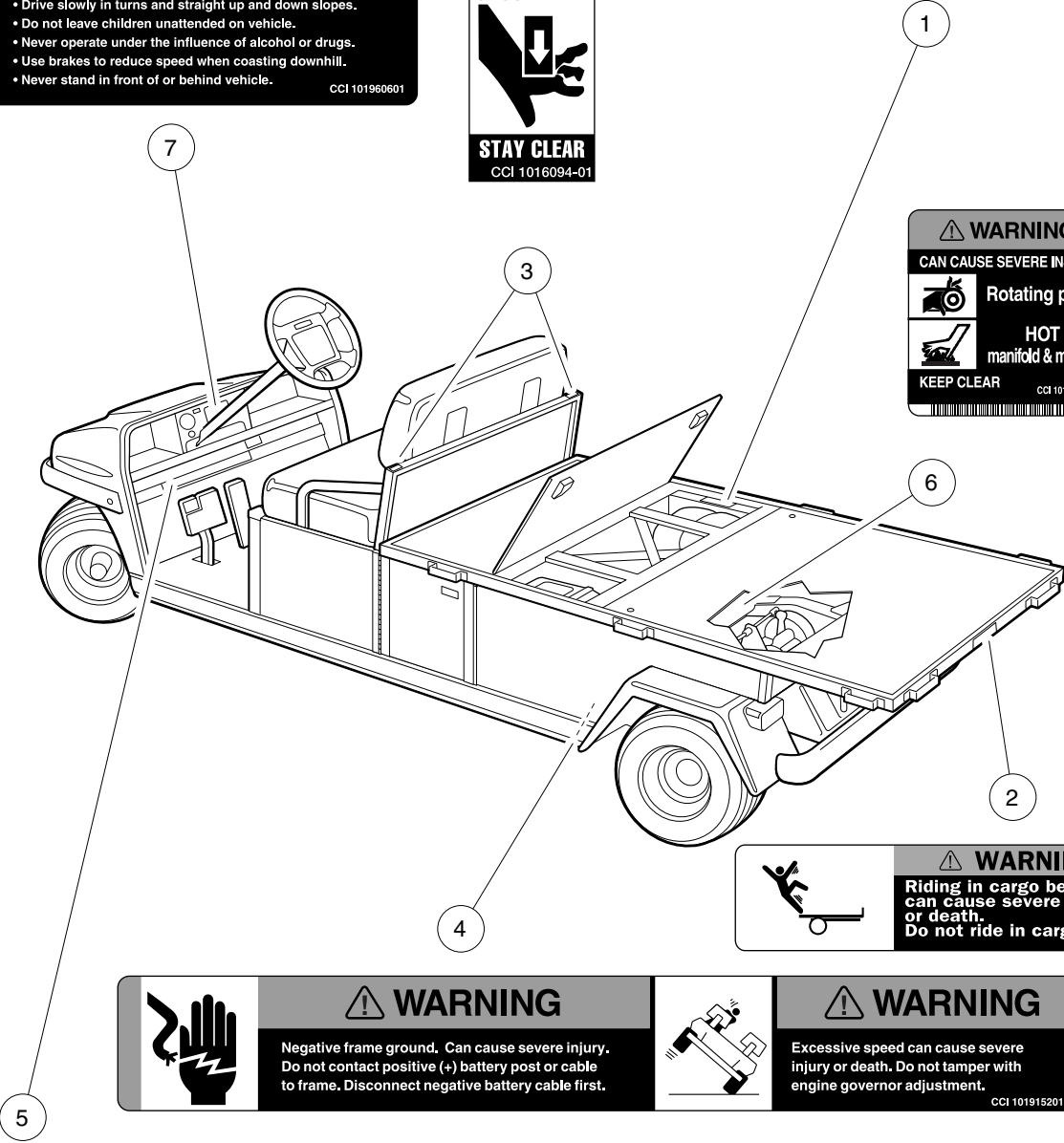
CCI 1016094-01

WARNING

GASOLINE EXPLOSION / FIRE.

- Can cause severe injury or death.
- No smoking, sparks, or open flame.
- Stop engine, allow to cool before refueling.
- Turn fuel valve (←) on during operation. (→) off during storage or transport.

CCI 101547601



WARNING

CAN CAUSE SEVERE INJURY

Rotating parts

HOT manifold & muffler

KEEP CLEAR

CCI 101960501

WARNING

Riding in cargo bed can cause severe injury or death. Do not ride in cargo bed.

CCI 1015539-01

WARNING

Negative frame ground. Can cause severe injury. Do not contact positive (+) battery post or cable to frame. Disconnect negative battery cable first.

WARNING

Excessive speed can cause severe injury or death. Do not tamper with engine governor adjustment.

CCI 101915201

VEHICLE LOADING

Read owner's manual and warnings on dash.

- Vehicle rated capacity - 1500 lb on level surface only. Weight to include passengers, cargo bed load, and gross trailer weight. See owner's manual.
- Maximum cargo load CARRYALL 6 or TURF 6 - 1000 lb, TRANSPORTER - 300 lb. Weight to include cargo bed load and gross trailer weight.
- Maximum trailer hitch tongue weight - 150 lbs.

- Cargo should be evenly spread over the floor of the cargo bed as far forward as possible and secured.
- For vehicle stability, when fully loaded, drive slowly and avoid stopping on or backing down steep hills.
- Avoid top heavy loads. See owner's manual.
- When driving on uneven terrain or down steep hills, reduce speed and load.

CCI 101960001

000281-001

DECALS – TURF/CARRYALL 6 GASOLINE VEHICLES

ITEM	PART NO.	DESCRIPTION	QTY
		1 2 3 4	
1	101547601	Decal, Gasoline Explosion/Fire Warning	1
2	101553901	Decal, Bed Load Warning	1
3	101609401	Decal, Crush Area Warning	2
4	101915201	Decal, Frame Ground and Governor Warning	1
5	101960001	Decal, Vehicle Loading	1
6	101960501	Decal, Rotating Parts/Hot Manifold	2
7	101960601	Decal, Dash Warning	1

3
G
E

OPERATING INSTRUCTIONS

- Read Owner's Manual and safety warnings located on dash panel prior to driving.
- Study and understand controls.

TO START ENGINE

- Place shift lever in "N" – Neutral position.
- Depress brake pedal.
- Turn key switch to "START" position and release.

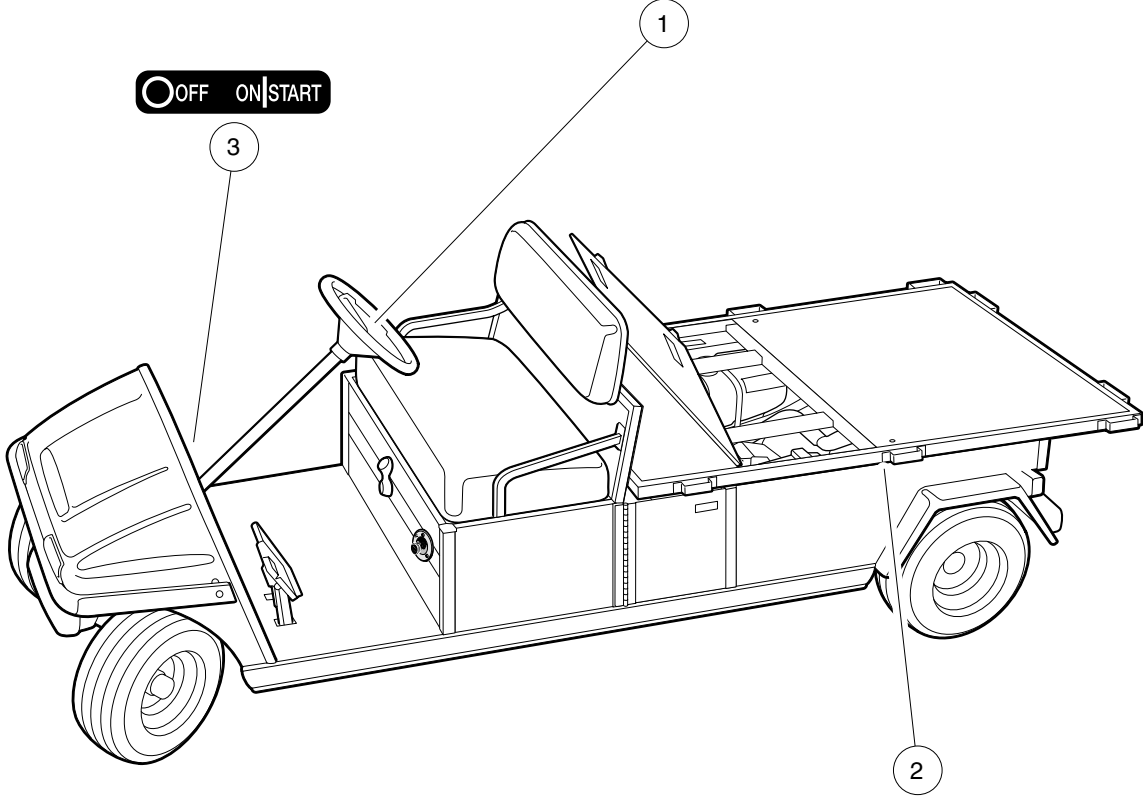
TO OPERATE VEHICLE

- Make sure wheels are turned in desired direction.
- Be sure nothing is in your path.
- While vehicle is stopped, and engine is at idle, select vehicle direction by placing shift lever or switch in desired position.
 F – Forward N – Neutral R – Reverse (Buzzer will sound)
- Park brake will release when accelerator pedal is pushed.
- Slowly push accelerator pedal to increase speed.
- Engine must be at idle before moving shift lever.

TO STOP VEHICLE

- Release accelerator pedal and push brake pedal.
- After stopping, firmly push park brake until it locks.
- Turn key to "OFF" position, remove key and place shift lever in straight up neutral position when not in use.

CCI 101693201



WARNING

FAILURE TO FOLLOW THESE INSTRUCTIONS CAN CAUSE SEVERE INJURY OR DEATH. Bed can tip up unexpectedly. Bed hold down bolts must be fastened.

CCI 101707801

000282-001

DECALS – CARRYALL 6 GASOLINE VEHICLES, CONTINUED

ITEM	PART NO.	DESCRIPTION	QTY
		1 2 3 4	
1	101693201	Decal, Operating Instructions, Key-Start	1
2	101707801	Decal, Bed Hold-Down Bolts	1
3	101825102	Decal, Off/On/Start	1

3
G
E

OPERATING INSTRUCTIONS

- Read owner's manual and safety warnings located on dash panel prior to driving.
- Study and understand controls.

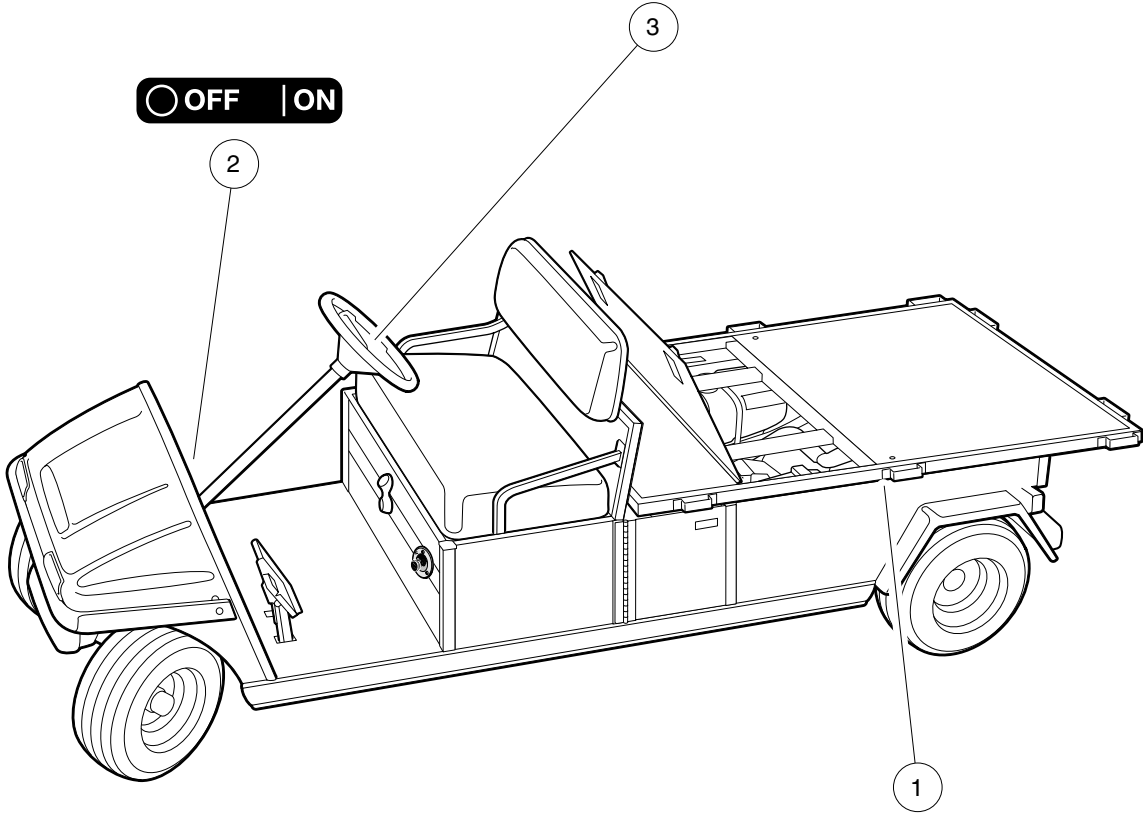
TO OPERATE


- Turn wheels to desired direction and ensure path is clear.
- Turn key to ON position.
- While stopped, place shift lever in desired position:
F – Forward N – Neutral R – Reverse (Buzzer will sound)
- Park brake will release and vehicle will start moving when accelerator pedal is pressed.
- Slowly press accelerator pedal to increase speed.
- To stop, release accelerator pedal and press brake pedal.

BEFORE LEAVING

- Press park brake pedal until it locks and holds vehicle.
- Place Forward/Reverse switch in NEUTRAL position.
- Turn key OFF and remove key when not in use.

CCI 102519201





⚠ WARNING

**FAILURE TO FOLLOW THESE INSTRUCTIONS
CAN CAUSE SEVERE INJURY OR DEATH.**

Bed can tip up unexpectedly. Bed hold down bolts must be fastened.

CCI 101707801

000282-002

DECALS – TURF 6 GASOLINE VEHICLES, CONTINUED

ITEM	PART NO.	DESCRIPTION	QTY
		1 2 3 4	
1	101707801	Decal, Bed Hold-Down Bolts	1
2	101825101	Decal, Off/On	1
3	102519201	Decal, Operating Instr, Gas	1

3
G
E

⚠ WARNING

ROLLOVER OR FALLING OFF MAY CAUSE DEATH.

- Before using vehicle, read operating instructions.
- Remain seated and hold on to seat handle while moving.
- Do not start vehicle until all occupants are seated.
- Two (2) persons per seat maximum.
- Operate from driver side only and not on public roads.
- Keep entire body inside vehicle while moving.
- Drive slowly in turns and straight up and down slopes.
- Do not leave children unattended on vehicle.
- Never operate under the influence of alcohol or drugs.
- Use brakes to reduce speed when coasting downhill.
- Never stand in front of or behind vehicle.

CCI 101960601

OPERATING INSTRUCTIONS

- Read owner's manual and safety warnings located on dash panel prior to driving.
- Study and understand controls.

TO OPERATE

- Turn wheels to desired direction and ensure path is clear.
- Turn key to ON position.
- While stopped, place shift lever in desired position:
F – Forward N – Neutral R – Reverse (Buzzer will sound)
- Park brake will release and vehicle will start moving when accelerator pedal is pressed.
- Slowly press accelerator pedal to increase speed.
- To stop, release accelerator pedal and press brake pedal.

BEFORE LEAVING

- Press park brake pedal until it locks and holds vehicle.
- Place Forward/Reverse switch in NEUTRAL position.
- Turn key OFF and remove key when not in use.

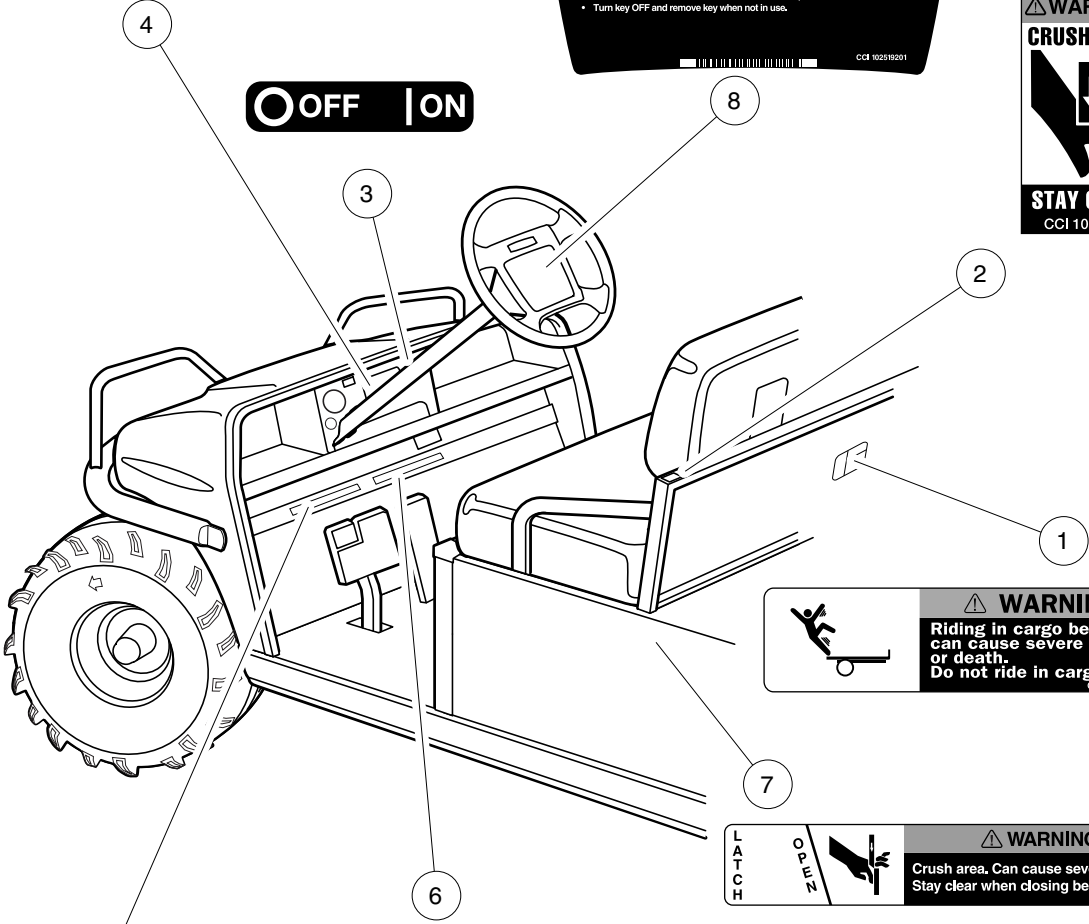
CCI 10259201

⚠ WARNING

CRUSH AREA

STAY CLEAR

CCI 1016094-01



OFF | ON

⚠ WARNING

Riding in cargo bed can cause severe injury or death. Do not ride in cargo bed.

CCI 1015539-01

⚠ WARNING

Crush area. Can cause severe injury. Stay clear when closing bed.

CCI 10248501

⚠ WARNING

YOUNG DRIVERS INCREASE CHANCE OF DEATH

- Young drivers may not be able to control vehicle.
- No drivers younger than 16 years old.

CCI 102075801

VEHICLE LOADING

Read owner's manual and warnings on dash.

- Vehicle rated capacity - 900 lbs. on level surface only. Weight to include passengers, cargo bed load, and gross trailer weight. See Owner's Manual.
- Maximum cargo load - 500 lbs. Weight to include cargo bed load and gross trailer weight.
- Maximum trailer hitch tongue weight - 150 lbs.

- Cargo should be evenly spread over the floor of the cargo bed as far forward as possible and secured.
- For vehicle stability, when fully loaded, drive slowly and avoid stopping on or backing down steep hills.
- Avoid top heavy loads. See Owner's Manual.
- When driving on uneven terrain or down steep hills, reduce speed and load.

CCI 10206701

000283-001

DECALS – TURF/CARRYALL 252 AND 2 XRT

ITEM	PART NO.	DESCRIPTION	QTY
		1 2 3 4	
1	101553901	Decal, Bed Load Warning	1
2	101609401	Decal, Crush Area Warning	2
3	101825101	Decal, Off/On	1
4	101960601	Decal, Dash Warning	1
5	102006701	Decal, Vehicle Loading	1
6	102075801	Decal, Young Driver Warning	1
7	102459301	Decal, Bed Crush Area Warning	1
8	102519201	Decal, Operating Instr, Gas	1

3
G
E

WARNING
GASOLINE EXPLOSION / FIRE.

- Can cause severe injury or death.
- No smoking, sparks, or open flame.
- Stop engine, allow to cool before refueling.
- Turn fuel valve (←) on during operation, (→) off during storage or transport.

CCI 101547601

WARNING
CAN CAUSE SEVERE INJURY

Rotating parts

HOT manifold & muffler

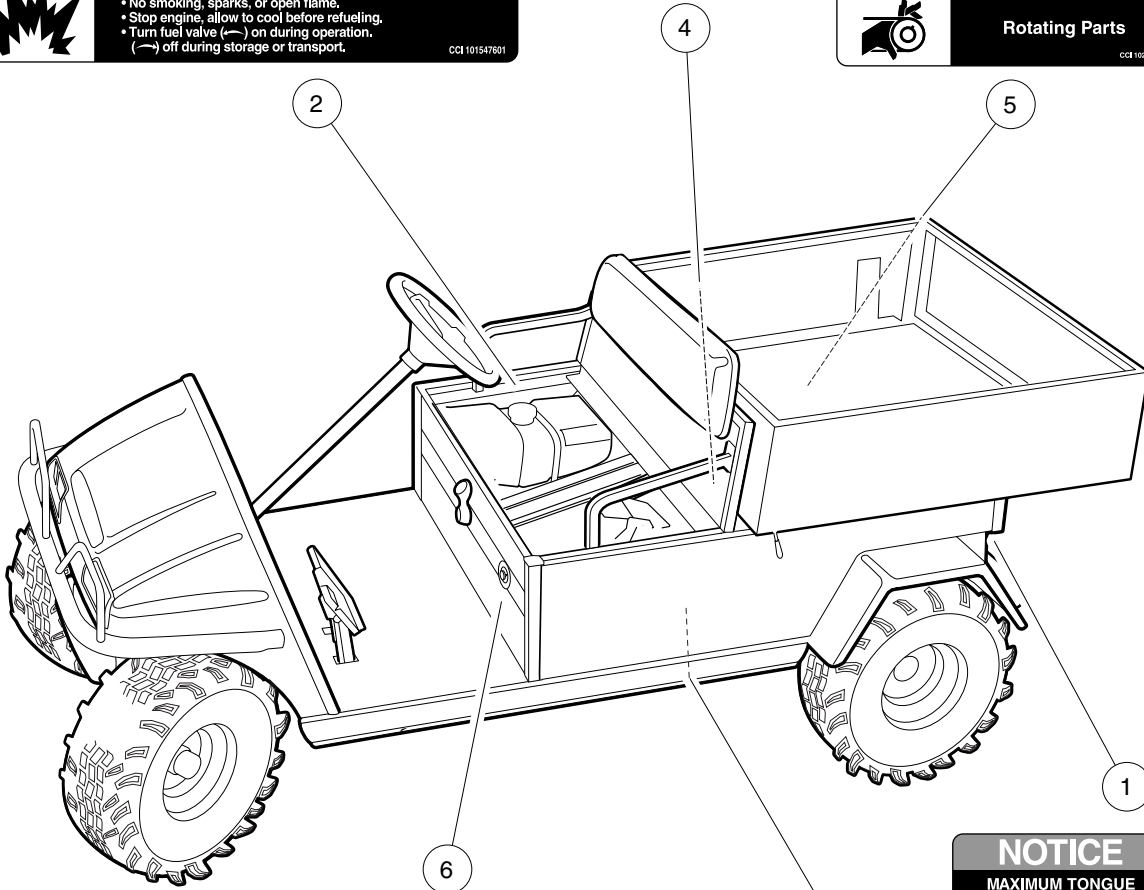
KEEP CLEAR

CCI 101960501

WARNING

Rotating Parts

CCI 102224001



NOTICE
MAXIMUM TONGUE WEIGHT – 150 lb. (667 N)

CCI 1011553

WARNING

WINCH CABLE FRACTURE COULD RESULT IN SERIOUS INJURY OR DEATH.

- Do not use winch while persons are seated on the vehicle.
- Use remote operation switch for winch control.
- Stand to the side and away from the vehicle to operate winch.
- Read winch operator manual before operating winch.

CCI 102231601

	<p>WARNING</p> <p>Negative frame ground. Can cause severe injury. Do not contact positive (+) battery post or cable to frame. Disconnect negative battery cable first.</p>		<p>WARNING</p> <p>Excessive speed can cause severe injury or death. Do not tamper with engine governor adjustment.</p> <p>CCI 101915201</p>
--	-----------------------------------------------------------------------------------------------------------------------------------------------------------------------------------	--	----------------------------------------------------------------------------------------------------------------------------------------------------

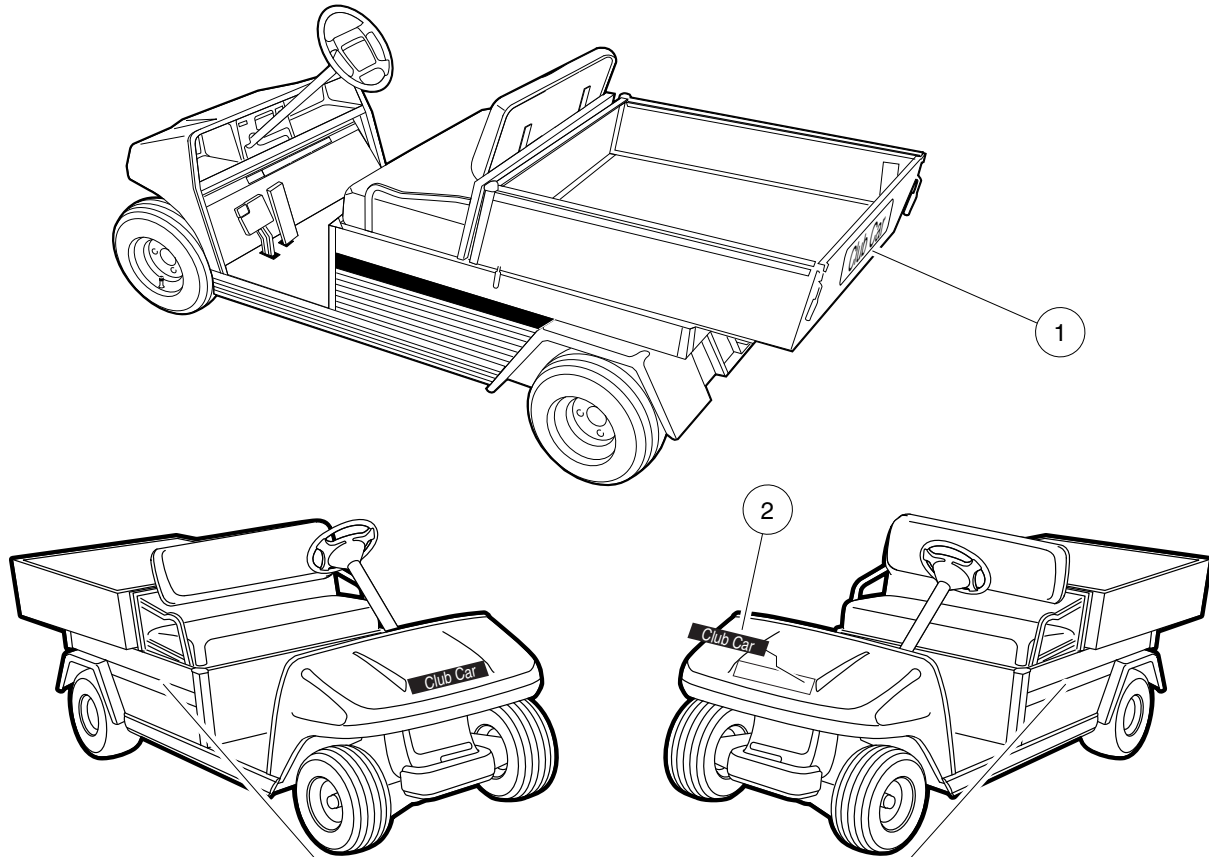
000284-001

DECALS – TURF/CARRYALL 252 AND 2 XRT, CONTINUED

ITEM	PART NO.	DESCRIPTION	QTY
		1 2 3 4	
1	1011553	Decal, Trailer Hitch	1
2	101547601	Decal, Gasoline Explosion/Fire Warning	1
3	101915201	Decal, Frame Ground and Governor Warning	1
4	101960501	Decal, Rotating Parts/Hot Manifold	2
5	102224001	Decal, Rotating Parts Warning	1
6	102231601	Decal, Winch Cable Fracture Warning	1

3
G
E

LOGO DECALS



- | | | | | |
|----------------|---|-----------------|----|-------------|
| Passenger Side | 3 | Carryall 1 | 8 | Driver Side |
| | 4 | Carryall 2 Plus | 9 | |
| | 5 | Carryall 2 | 10 | |
| | 6 | Turf 1 | 11 | |
| | 7 | Turf 2 | 12 | |

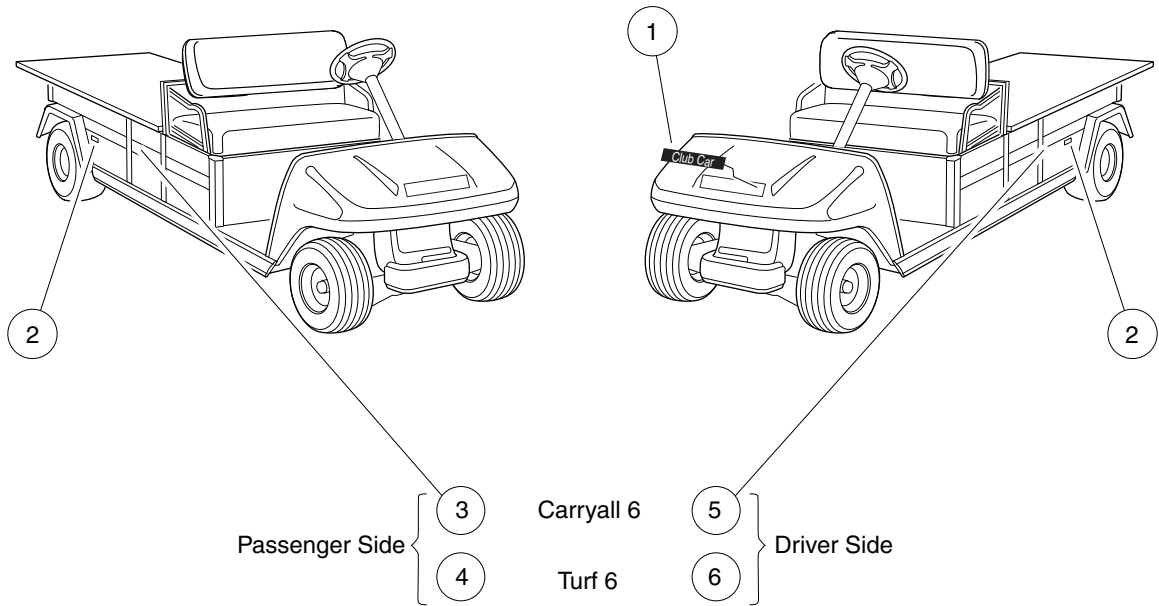
000287-001

DECALS, LOGO – TURF/CARRYALL 1, 2, AND CARRYALL 2 PLUS

ITEM	PART NO.	DESCRIPTION	QTY
		1 2 3 4	
1	1013317	Decal, Logo, Tailgate	1
2	101670201	Nameplate Kit (silver)	1
3	N/A	Decal, Carryall 1, Passenger-Side	1
4	N/A	Decal, Carryall 2 Plus, Passenger-Side	1
5	N/A	Decal, Carryall 2, Passenger-Side	1
6	N/A	Decal, Turf 1, Passenger-Side	1
7	N/A	Decal, Turf 2, Passenger-Side	1
8	N/A	Decal, Carryall 1, Driver-Side	1
9	N/A	Decal, Carryall 2 Plus, Driver-Side	1
10	N/A	Decal, Carryall 2, Driver-Side	1
11	N/A	Decal, Turf 1, Driver-Side	1
12	N/A	Decal, Turf 2, Driver-Side	1

3
G
E

LOGO DECALS



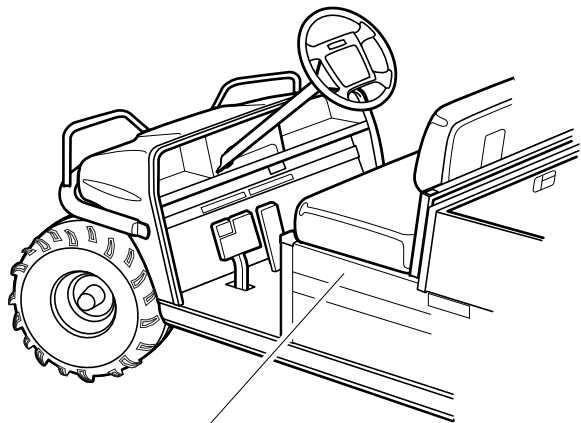
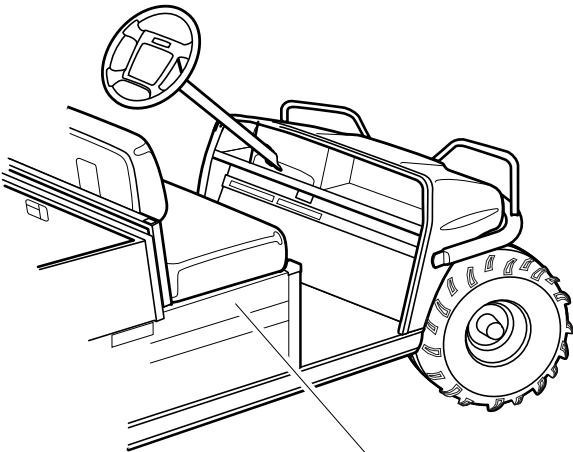
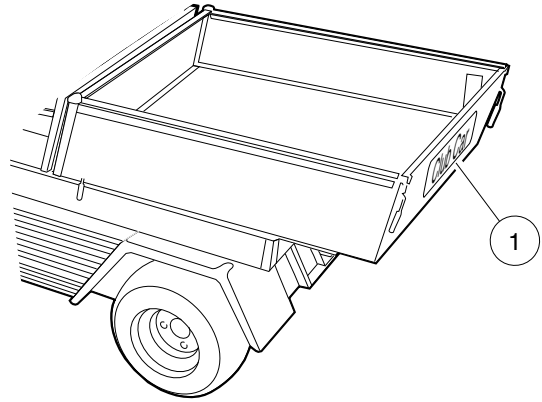
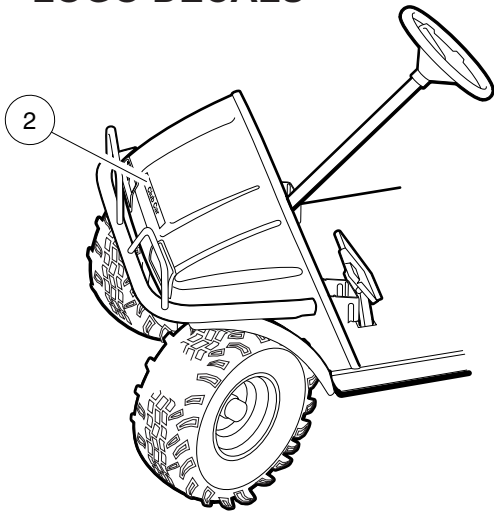
000288-001

DECALS, LOGO – TURF/CARRYALL 6

ITEM	PART NO.	DESCRIPTION	QTY
		1 2 3 4	
1	101670201	Nameplate Kit (silver)	1
2	101921901	Decal, Club Car/Ingersoll-Rand	2
3	N/A	Decal, Carryall 6, Passenger-Side	1
4	102157301	Decal, Turf 6, Passenger-Side	1
5	N/A	Decal, Carryall 6, Driver-Side	1
6	N/A	Decal, Turf 6, Driver-Side	1

3
G
E

LOGO DECALS



- | | | | | |
|----------------|---|----------------|---|-------------|
| Passenger Side | 3 | Turf 2 XRT | 4 | Driver Side |
| | 5 | Carryall 2 XRT | 6 | |

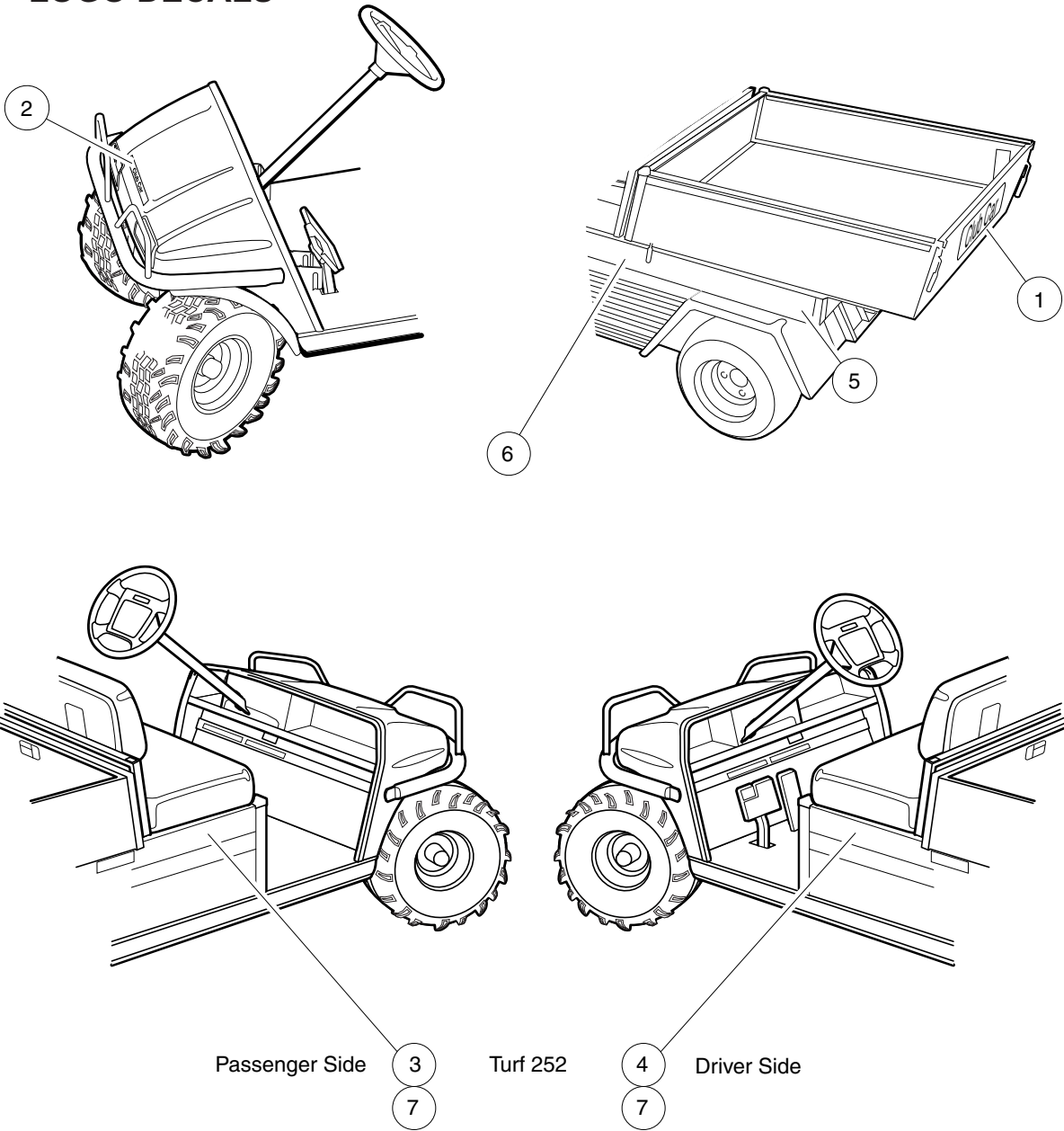
000289-001

DECALS, LOGO – TURF/CARRYALL 2 XRT

ITEM	PART NO.	DESCRIPTION	QTY
		1 2 3 4	
1	1013317	Decal, Logo, Tailgate	1
2	101670201	Nameplate Kit (silver)	1
3	102157201	Decal, Turf 2 XRT, Passenger-Side	1
4	102158501	Decal, Turf 2 XRT, Driver-Side	1
5	N/A	Decal, Carryall 2 XRT, Passenger-Side	1
6	N/A	Decal, Carryall 2 XRT, Driver-Side	1

3
G
E

LOGO DECALS



000289-002

DECALS, LOGO – TURF/CARRYALL 252

ITEM	PART NO.	DESCRIPTION	QTY
		1 2 3 4	
1	1013317	Decal, Logo, Tailgate	1
2	101670201	Nameplate Kit (silver)	1
3	102683201	Decal, Turf 252, Passenger-Side	1
4	102683301	Decal, Turf 252, Driver-Side	1
5	103234301	Decal, Badge, IR	2
6	103261301	Decal Ca 252 Side Panel	2
7	103284101	Decal Ca2/ca2p/ca252/ca272 Bar	2

3
G
E

3

G

E

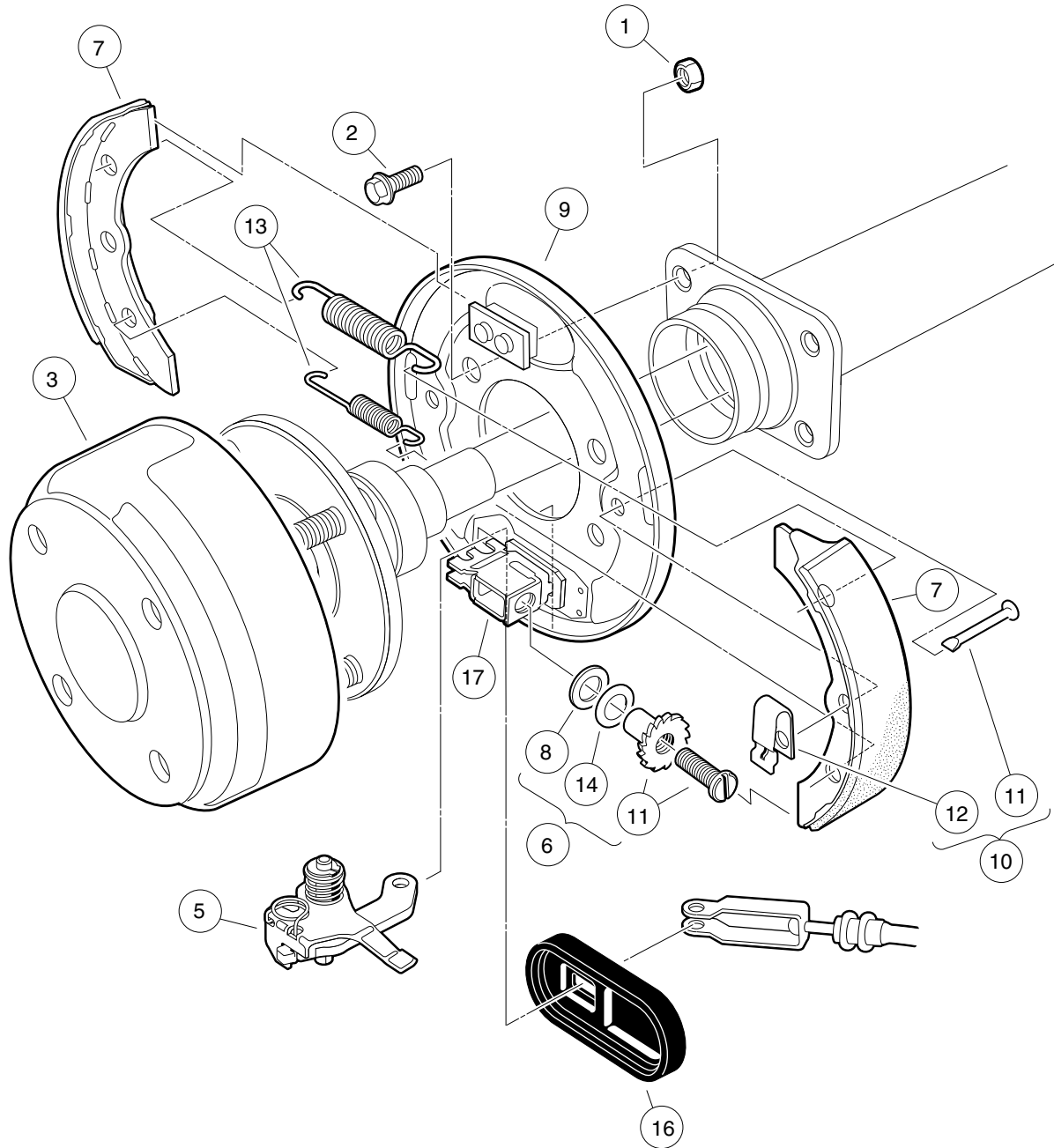
BRAKES, PEDAL, AND CABLE ASSEMBLIES

4

G

E

4
G
E



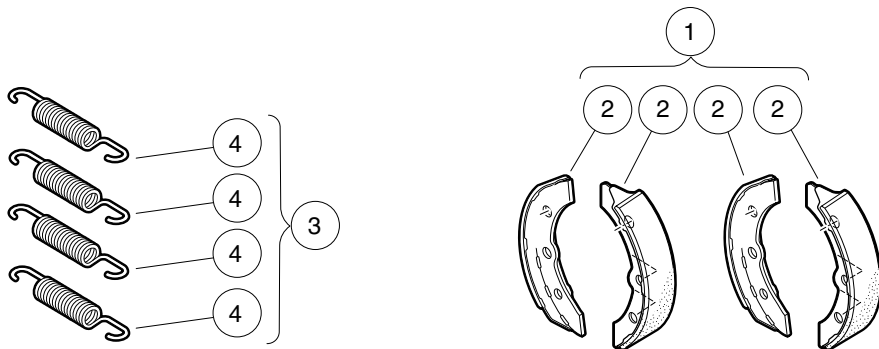
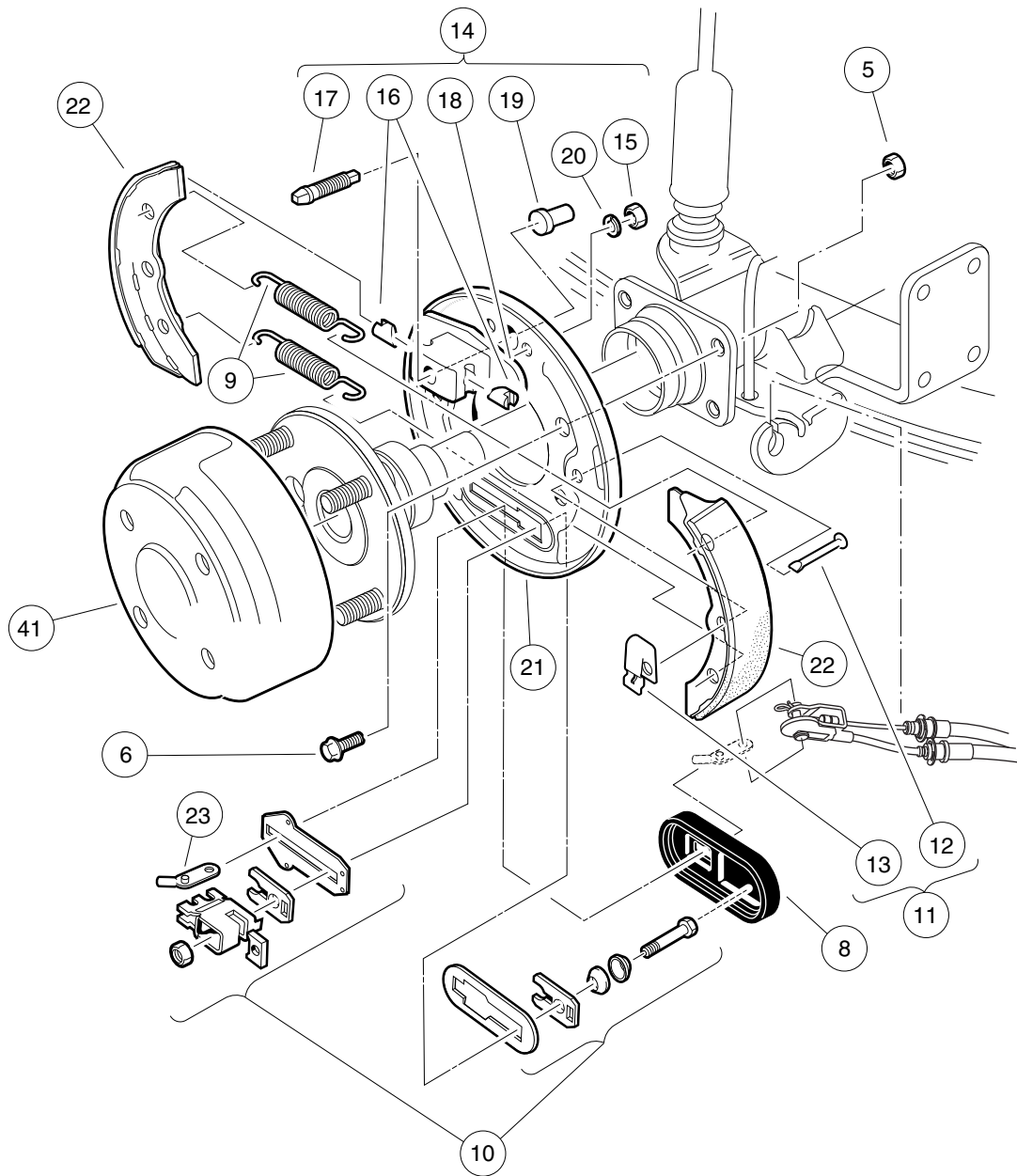
000186-001

REAR BRAKE ASSEMBLY, SELF-ADJUSTING – TURF/ CARRYALL 1

ITEM	PART NO.	DESCRIPTION	QTY
		1 2 3 4	
1	1013924	Nut, 5/16-24 Hex Head Cone	8
2	1014153	Bolt, Brake Cluster Mounting	8
3	101791101	Drum without Center Hole, Brake	2
4	103380201	Asm, Brake Cluster, Mech, Drvr (includes items 5 through 17)	1
5	101815501	Lever Assembly, Self-Adjusting Brake, Right (Passenger)	1
6	101816501	Adj Mechanism, S.A. Brakes, Right (Passenger)	1
7	101823201	Package, Brake Shoe, Self-Adjusting	1
8	101823801	Plate, Washer, Brake, Self-Adjusting	1
9	103483101	Back Plate, Rh	1
10	103483201	Kit, Shoe Retainer (includes items 11 and 12)	1
11	1010953	Pin	2
12	103483301	Spring, Shoe, Clamp	2
13	103483401	Package Brake Spring Self Adj (includes items 14 and 15)	1
14	101816401	Brake Spring Self Adj	2
15	103483501	Spring Brake	2
16	103483601	Cover, Dust	1
17	103483701	Brake Block	1
18	103380202	Asm, Brake Cluster, Mech, Pass (includes items 19 through 31)	1
19	101815502	Lever Assembly, Self-Adjusting Brake, Left	1
20	101816502	Adjusting Mechanism, Self-Adjusting Brake, Left	1
21	101823201	Package, Brake Shoe, Self-Adjusting	1
22	101823801	Plate, Washer, Brake, Self-Adjusting	1
23	103483102	Back Plate, Lh	1
24	103483201	Kit, Shoe Retainer (includes items 25 and 26)	1
25	1010953	Pin	2
26	103483301	Spring, Shoe, Clamp	2
27	103483401	Package Brake Spring Self Adj (includes items 28 and 29)	1
28	101816401	Brake Spring Self Adj	2
29	103483501	Spring Brake	2
30	103483601	Cover, Dust	1
31	103483701	Brake Block	1
		Note: Driver-side brake cluster not shown. Components have a similar appearance to passenger-side brake cluster components.	

4
G
E

4
G
E



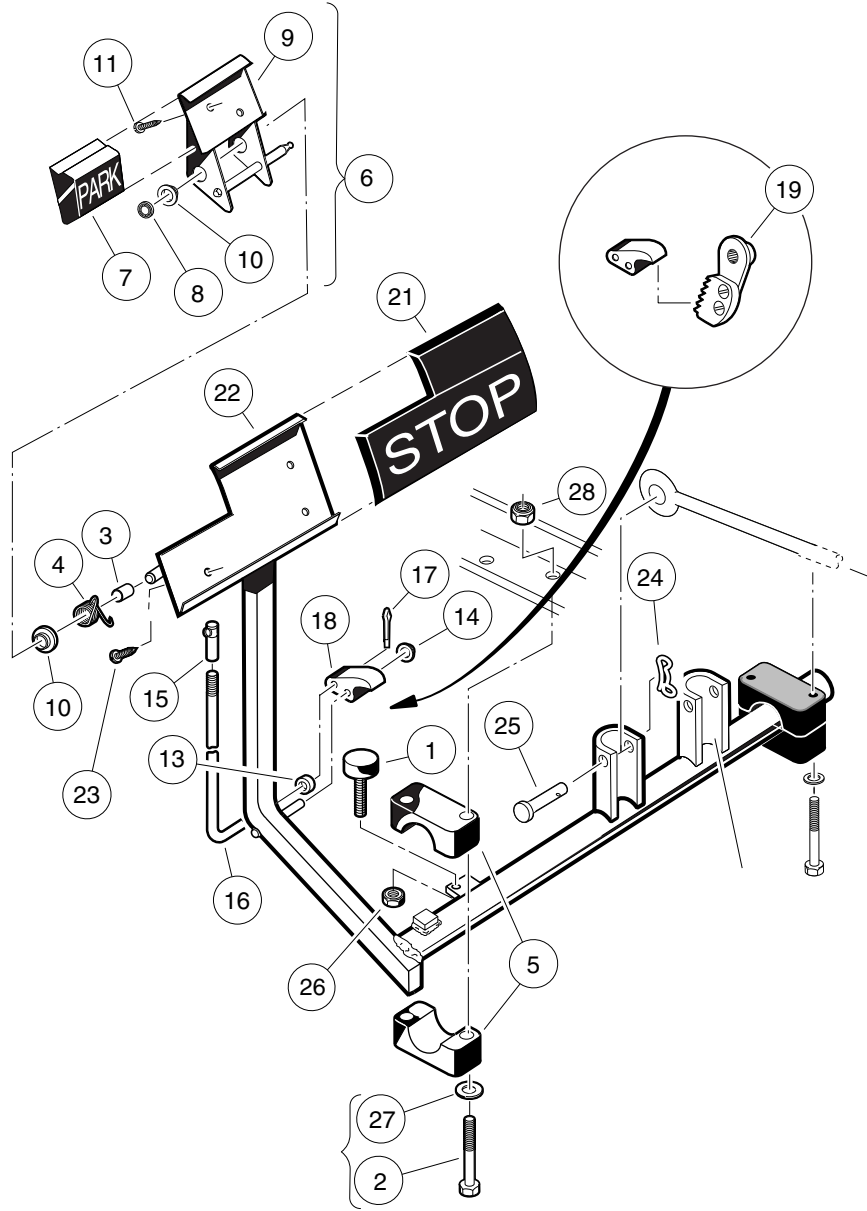
000293-002

REAR BRAKE ASSEMBLY, MANUALLY-ADJUSTED – TURF/ CARRYALL 2, 252, 2 XRT, 2 PLUS, AND 6

ITEM	PART NO.	DESCRIPTION	QTY
		1 2 3 4	
1	101146302	Kit, Non-Asbestos Brake Shoe (includes item 2)	1
2	101880701	Shoe Brake Manual Adj (Available in Kit, Non-Asbestos Brake Shoe)	4
3	1011464	Package, Brake Spring (includes item 4)	1
4	1011314	Brake Spring	4
5	1013924	Nut, 5/16-24 Hex Head Cone	8
6	1014153	Bolt, Brake Cluster Mounting	8
7	1016557	Cluster, Brake, Driver-Side (includes items 8 through 23)	1
8	1010850	Dust Cover	1
9	1011314	Brake Spring	2
10	1011465	Kit, Brake Actuator	1
11	1011466	Kit, Shoe Retainer (includes items 12 and 13)	1
12	1010953	Pin	2
13	1011301	Shoe Clamp Spring	2
14	1011467	Kit, Anchor Body (includes items 15 through 20)	1
15	1011114	Nut, M6-1.00 Hex	2
16	1011298	Anchor Piston	2
17	N/A	Adjustment Bolt	1
18	N/A	Anchor Body Component	1
19	1011303	Adjustment Bolt Cap	1
20	451	Lockwasher, 1/4 Split	2
21	1011494	Backing Plate, Left-Hand	1
22	101880701	Shoe Brake Manual Adj (Available in Kit, Non-Asbestos Brake Shoe)	2
23	N/A	Arm, Brake Lever	1
24	1016573	Cluster, Brake, Passenger-Side (includes items 25 through 40)	1
25	1010850	Dust Cover	1
26	1011154	Backing Plate, Right-Hand	1
27	1011314	Brake Spring	2
28	1011465	Kit, Brake Actuator	1
29	1011466	Kit, Shoe Retainer (includes items 30 and 31)	1
30	1010953	Pin	2
31	1011301	Shoe Clamp Spring	2
32	1011467	Kit, Anchor Body (includes items 33 through 38)	1
33	1011114	Nut, M6-1.00 Hex	2
34	1011298	Anchor Piston	2
35	N/A	Adjustment Bolt	1
36	N/A	Anchor Body Component	1
37	1011303	Adjustment Bolt Cap	1
38	451	Lockwasher, 1/4 Split	2
39	101880701	Shoe Brake Manual Adj (Available in Kit, Non-Asbestos Brake Shoe)	2
40	N/A	Arm, Brake Lever	1
41	101791101	Drum without Center Hole, Brake	2
		Note: Passenger-side brake cluster not shown. Components have a similar appearance to driver-side brake cluster components.	

4
G
E

4
G
E



000187-001

BRAKE PEDAL ASSEMBLY – VEHICLES WITH TWO-WHEEL BRAKES

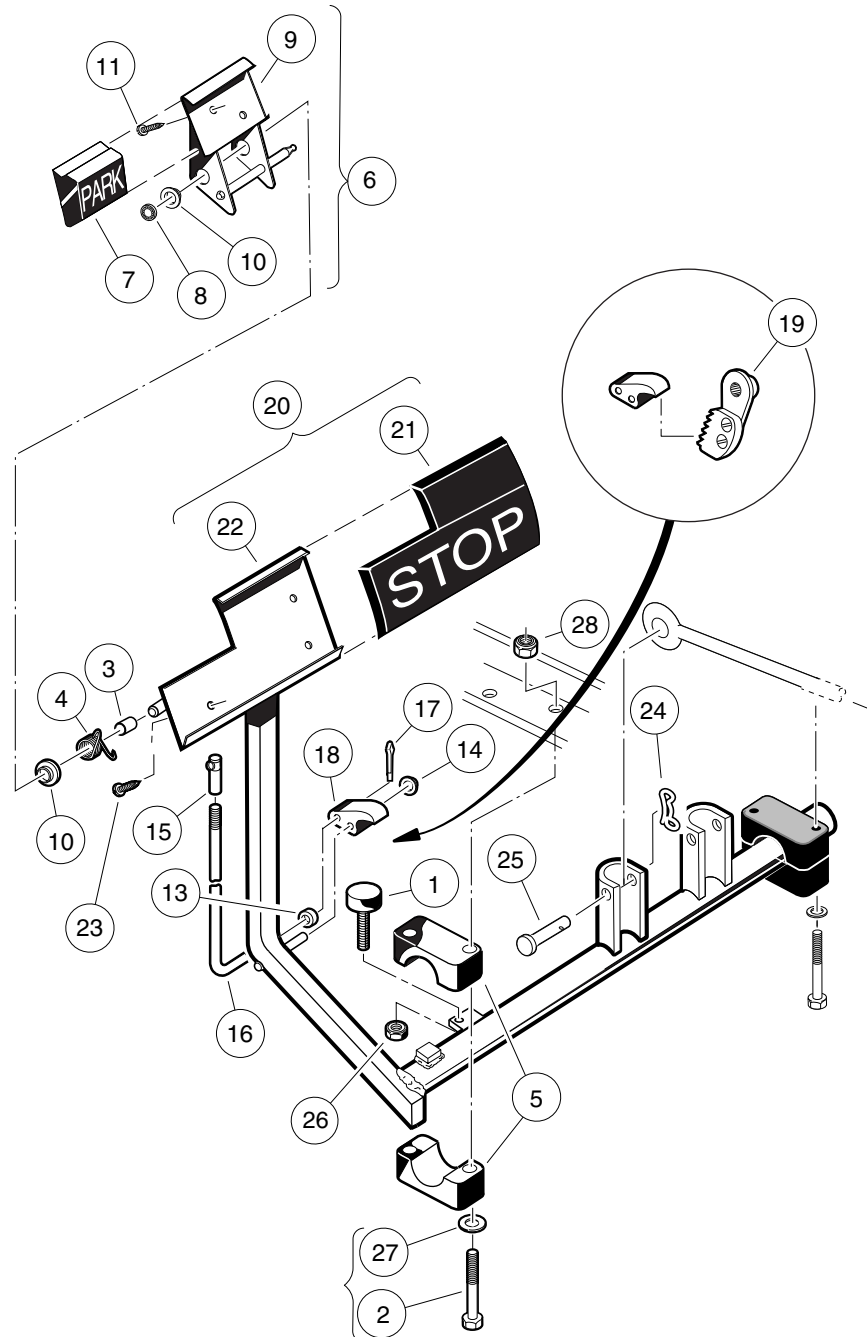
ITEM	PART NO.	DESCRIPTION	QTY
		1 2 3 4	
1	1010878	Bumper, Rubber	1
2	1010921	Screw, 5/16-18 X 2.50 Hex Cap	4
3	1010927	Hill Brake Spacer	1
4	1010933	Spring, Hill Brake Torsion	1
5	1011402	Package, Brake Mounting Block	1
6	1011418	Kit, Hill Brake Pedal (includes items 7 through 11)	1
7	1013870	Pad, Hill Brake	1
8	1013876	Pushnut, 3/8	1
9	N/A	Hill Brake Weld Assembly	1
10	1032	Bushing, Nylon	2
11	7716	Screw, #10-16 Type AB, Sheet Metal	2
12	101187702	Kit, Hill Brake Latch (includes items 13 through 19)	1
13	1010805	Sleeve, Hill Brake Rod	1
14	1010877	Pushnut, 3/8	1
15	1010932	Ball Joint, 1/4-28	1
16	N/A	Rod, Hill Brake	1
17	1017029	Pin, Cotter, 7/64 x 1/2 Stainless-Steel	1
18	N/A	Pawl, Hill Brake	1
19	101918501	Ratchet Assembly	1
20	101878201	Brake Pedal Kit (includes items 21 through 23)	1
21	1013869	Pad, Brake Pedal	1
22	N/A	Weldment, Brake Pedal 4wb Std	1
23	7716	Screw, #10-16 Type AB, Sheet Metal	3
24	102323101	Pin, Bow Tie Locking	1
25	102323201	Pin, 3/8 X 1-5/16 Clevis	1
26	1028	Nut, 1/4-20 Hex	1
27	1241	Washer, 5/16 Type A Flat	4
28	7473	Locknut, 5/16-18 Nylon Insert	4

4
G
E

4

G

E



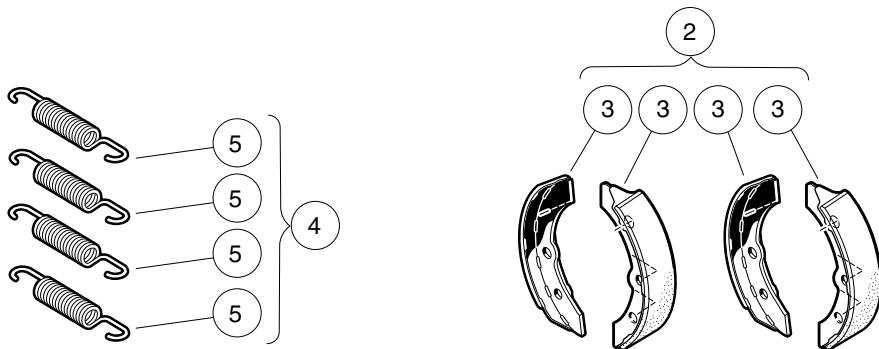
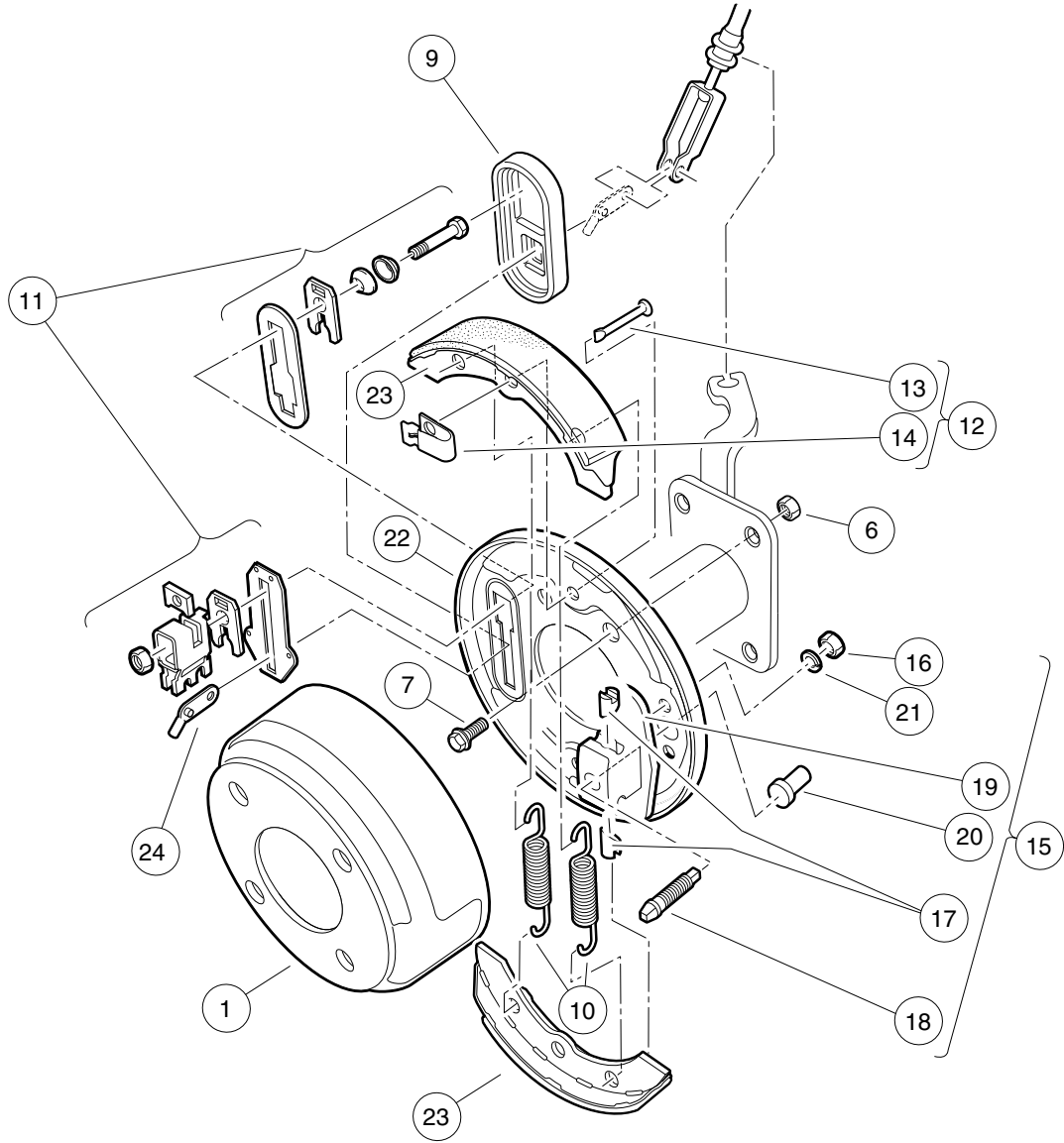
000187-003

BRAKE PEDAL ASSEMBLY – VEHICLES WITH FOUR-WHEEL BRAKES

ITEM	PART NO.	DESCRIPTION	QTY
		1 2 3 4	
1	1010878	Bumper, Rubber	1
2	1010921	Screw, 5/16-18 X 2.50 Hex Cap	4
3	1010927	Hill Brake Spacer	1
4	1010933	Spring, Hill Brake Torsion	1
5	1011402	Package, Brake Mounting Block	1
6	1011418	Kit, Hill Brake Pedal (includes items 7 through 11)	1
7	1013870	Pad, Hill Brake	1
8	1013876	Pushnut, 3/8	1
9	N/A	Hill Brake Weld Assembly	1
10	1032	Bushing, Nylon	2
11	7716	Screw, #10-16 Type AB, Sheet Metal	2
12	101187702	Kit, Hill Brake Latch (includes items 13 through 19)	1
13	1010805	Sleeve, Hill Brake Rod	1
14	1010877	Pushnut, 3/8	1
15	1010932	Ball Joint, 1/4-28	1
16	N/A	Rod, Hill Brake	1
17	1017029	Pin, Cotter, 7/64 x 1/2 Stainless-Steel	1
18	N/A	Pawl, Hill Brake	1
19	101918501	Ratchet Assembly	1
20	101878201	Brake Pedal Kit (includes items 21 through 23)	1
21	1013869	Pad, Brake Pedal	1
22	N/A	Weldment, Brake Pedal 4wb Std	1
23	7716	Screw, #10-16 Type AB, Sheet Metal	3
24	102323101	Pin, Bow Tie Locking	2
25	102323201	Pin, 3/8 X 1-5/16 Clevis	2
26	1028	Nut, 1/4-20 Hex	1
27	1241	Washer, 5/16 Type A Flat	4
28	7473	Locknut, 5/16-18 Nylon Insert	4

4
G
E

4
G
E

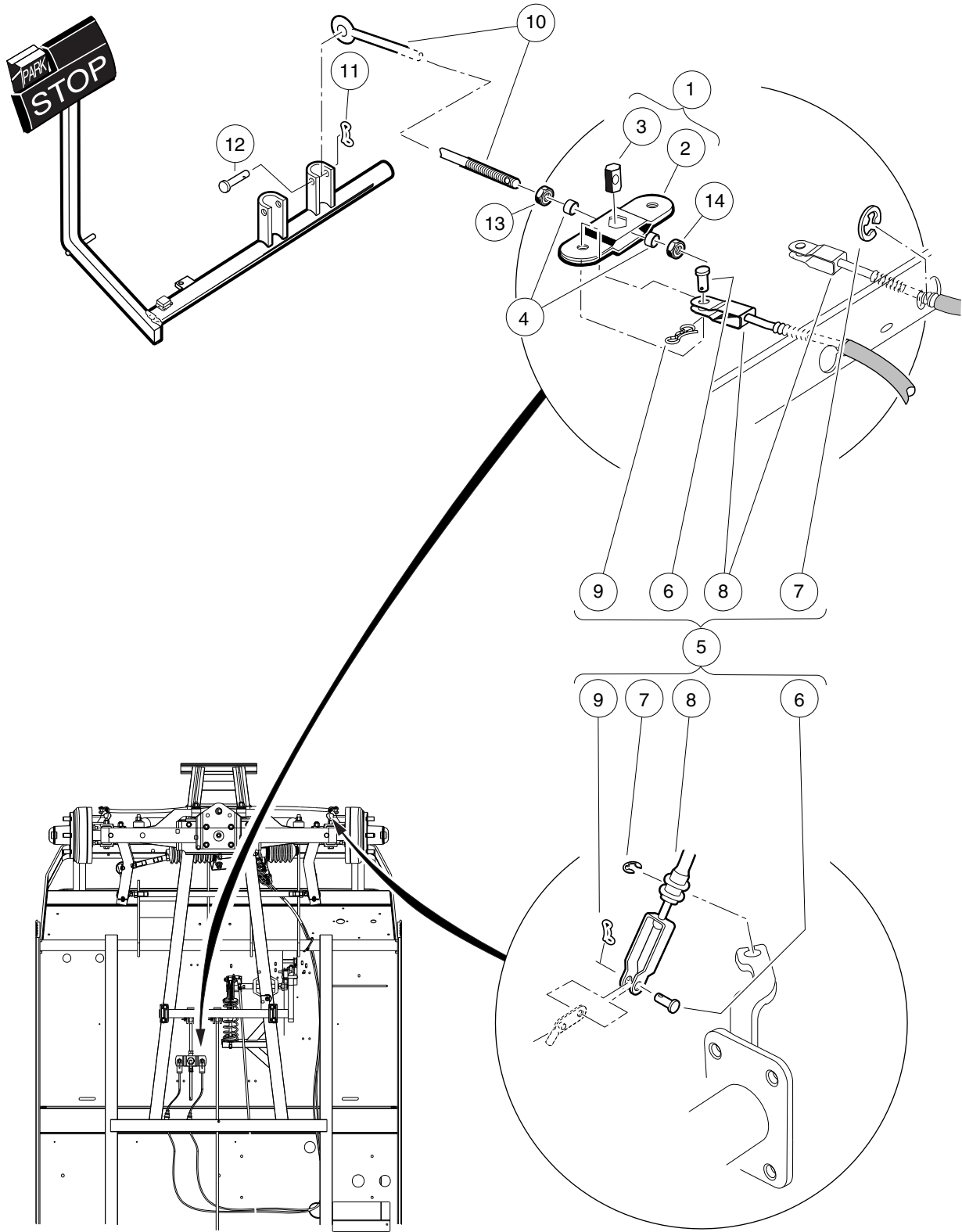


000298-001

FRONT BRAKE ASSEMBLY – VEHICLES WITH FOUR-WHEEL BRAKES

ITEM	PART NO.	DESCRIPTION	QTY	
		1 2 3 4		4
1	1011137	Drum, Brake	2	G
2	101146302	Kit, Non-Asbestos Brake Shoe (includes item 3)	1	E
3	101880701	Shoe Brake Manual Adj (Available in Kit, Non-Asbestos Brake Shoe)	4	
4	1011464	Package, Brake Spring (includes item 5)	1	
5	1011314	Brake Spring	4	
6	1013924	Nut, 5/16-24 Hex Head Cone	8	
7	1014153	Bolt, Brake Cluster Mounting	8	
8	1016557	Cluster, Brake, Driver-Side (includes items 9 through 24)	1	
9	1010850	Dust Cover	1	
10	1011314	Brake Spring	2	
11	1011465	Kit, Brake Actuator	1	
12	1011466	Kit, Shoe Retainer (includes items 13 and 14)	1	
13	1010953	Pin	2	
14	1011301	Shoe Clamp Spring	2	
15	1011467	Kit, Anchor Body (includes items 16 through 21)	1	
16	1011114	Nut, M6-1.00 Hex	2	
17	1011298	Anchor Piston	2	
18	N/A	Adjustment Bolt	1	
19	N/A	Anchor Body Component	1	
20	1011303	Adjustment Bolt Cap	1	
21	451	Lockwasher, 1/4 Split	2	
22	1011494	Backing Plate, Left-Hand	1	
23	101880701	Shoe Brake Manual Adj (Available in Kit, Non-Asbestos Brake Shoe)	2	
24	N/A	Arm, Brake Lever	1	
25	1016573	Cluster, Brake, Passenger-Side (includes items 26 through 41)	1	
26	1010850	Dust Cover	1	
27	1011154	Backing Plate, Right-Hand	1	
28	1011314	Brake Spring	2	
29	1011465	Kit, Brake Actuator	1	
30	1011466	Kit, Shoe Retainer (includes items 31 and 32)	1	
31	1010953	Pin	2	
32	1011301	Shoe Clamp Spring	2	
33	1011467	Kit, Anchor Body (includes items 34 through 39)	1	
34	1011114	Nut, M6-1.00 Hex	2	
35	1011298	Anchor Piston	2	
36	N/A	Adjustment Bolt	1	
37	N/A	Anchor Body Component	1	
38	1011303	Adjustment Bolt Cap	1	
39	451	Lockwasher, 1/4 Split	2	
40	101880701	Shoe Brake Manual Adj (Available in Kit, Non-Asbestos Brake Shoe)	2	
41	N/A	Arm, Brake Lever	1	
		Note: Passenger-side brake cluster not shown. Components have a similar appearance to driver-side brake cluster components.		

4
G
E



000294-001

FRONT BRAKE CABLES AND EQUALIZER – VEHICLES WITH FOUR-WHEEL BRAKES

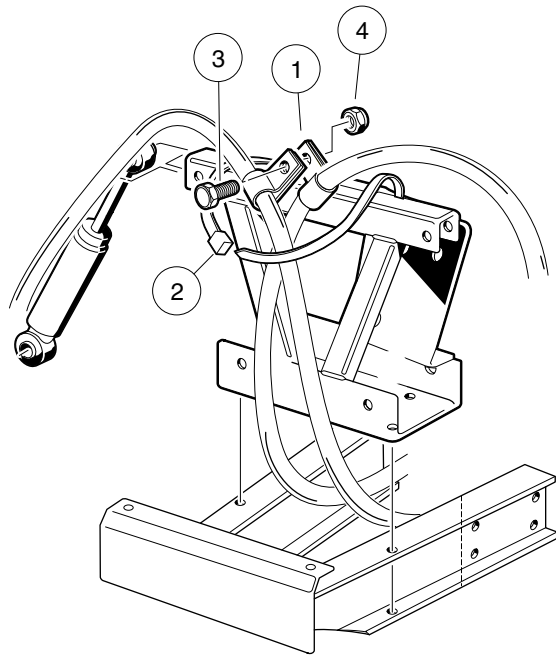
ITEM	PART NO.	DESCRIPTION	QTY
		1 2 3 4	
1	1017211	Kit, Equalizer and Pivot Limiter (includes items 2 and 3)	1
2	1016319	Equalizer Weld Assembly	1
3	1016320	Equalizer, Pivot Limiter	1
4	101865301	Spacer	2
5	101874601	Kit, Brake Cable (includes items 6 through 9)	1
6	1010829	Pin, Clevis, 5/16 X 3/4	4
7	1011779	E-Clip, 1/2	4
8	N/A	Brake Cable	2
9	102292801	Pin, Bow Tie Locking - .072	4
10	101953106	Rod, Equalizer, 9.75"	1
11	102323101	Pin, Bow Tie Locking	1
12	102323201	Pin, 3/8 X 1-5/16 Clevis	1
13	1242	Nut, 5/16-18 Hex	1
14	7473	Locknut, 5/16-18 Nylon Insert	1

4
G
E

4

G

E



000305-001

FRONT BRAKE CABLE CLIPS AND HARDWARE – VEHICLES WITH FRONT-WHEEL BRAKES

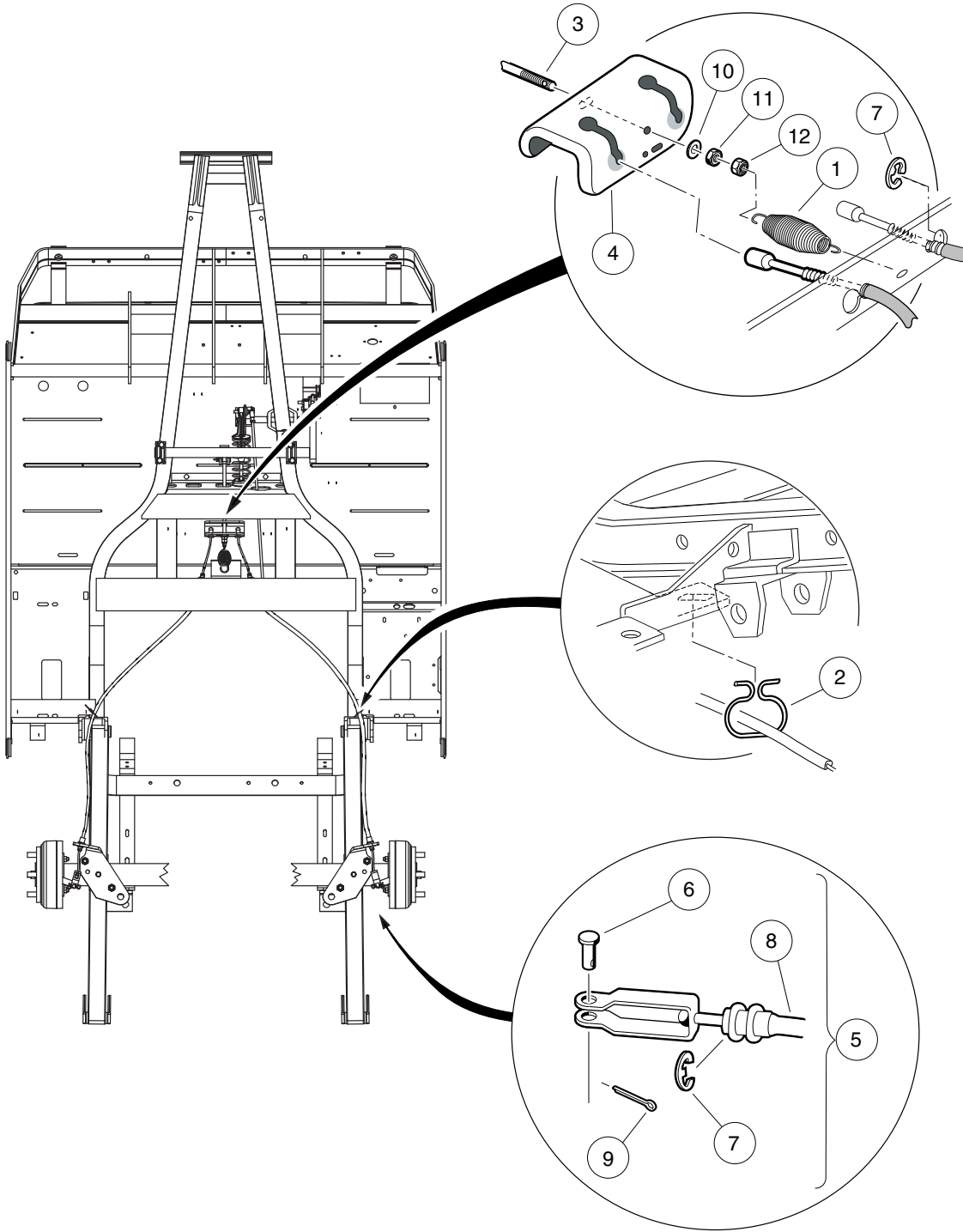
ITEM	PART NO.	DESCRIPTION	QTY
		1 2 3 4	
1	101935301	Clamp, Brake Cable	2
2	102025401	Tie Wrap, Heavy Duty	1
3	320	Screw, 3/8-16 X 1.00 Hex-Head Cap	1
4	8754	Locknut, 3/8-16 Hex	1

4

G

E

4
G
E



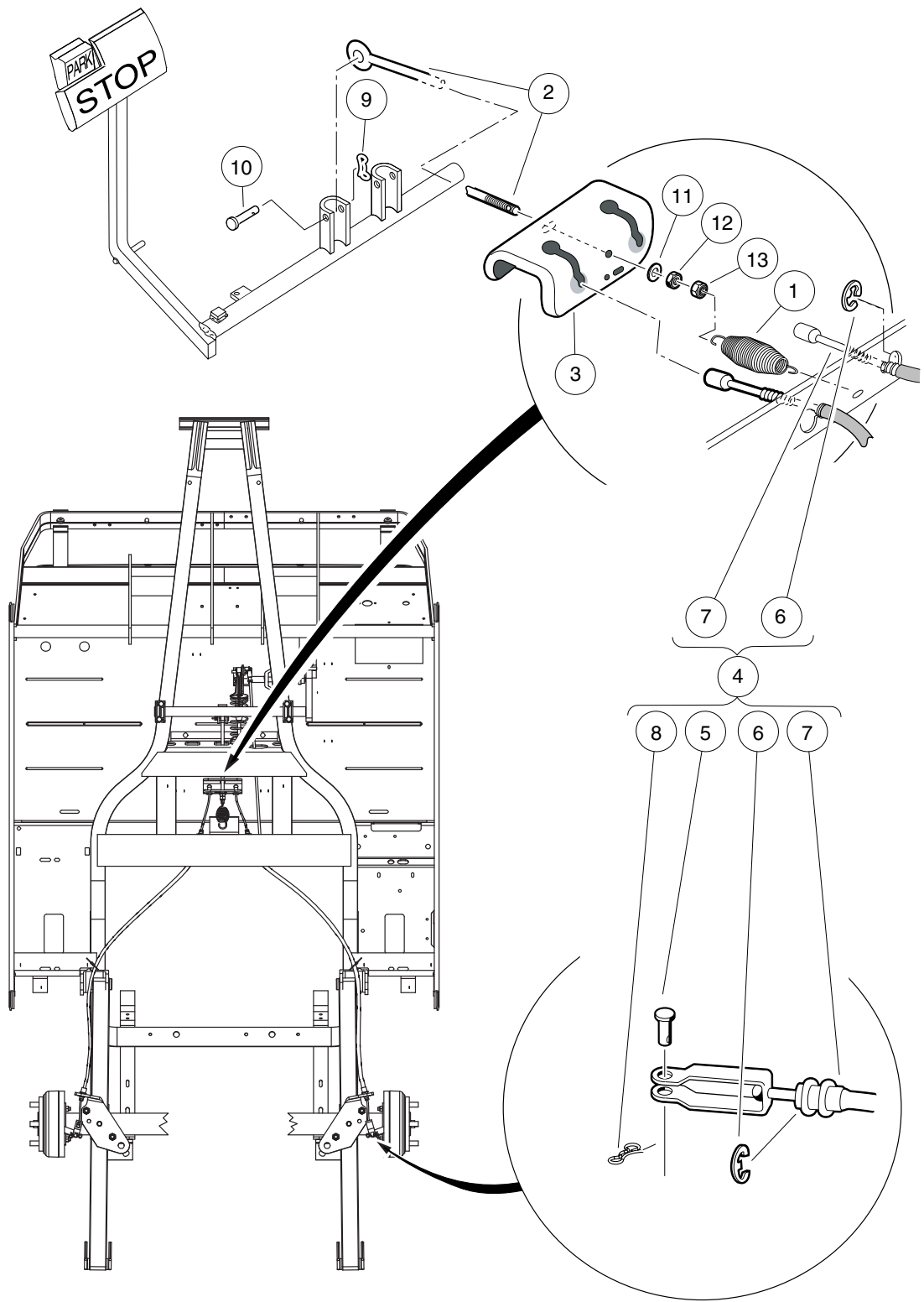
000245-001

BRAKE CABLE, EQUALIZER, AND EQUALIZER ROD – VEHICLES WITH TWO-WHEEL BRAKES

ITEM	PART NO.	DESCRIPTION	QTY
		1 2 3 4	
1	1013531	Spring, Brake Return	1
2	101900801	Hanger, Brake Cable	2
3	101953101	Rod, Equalizer, 8.91"	1
4	101990801	Equalizer Bracket	1
5	102022101	Brake Cable Kit (includes items 6 through 9)	2
6	1010829	Pin, Clevis, 5/16 X 3/4	1
7	1011779	E-Clip, 1/2	2
8	N/A	Cable, Brake, 41"	1
9	1035	Cotter Pin, 3/32 x 1	1
10	1241	Washer, 5/16 Type A Flat	5
11	1242	Nut, 5/16-18 Hex	1
12	7473	Locknut, 5/16-18 Nylon Insert	5

4
G
E

4
G
E



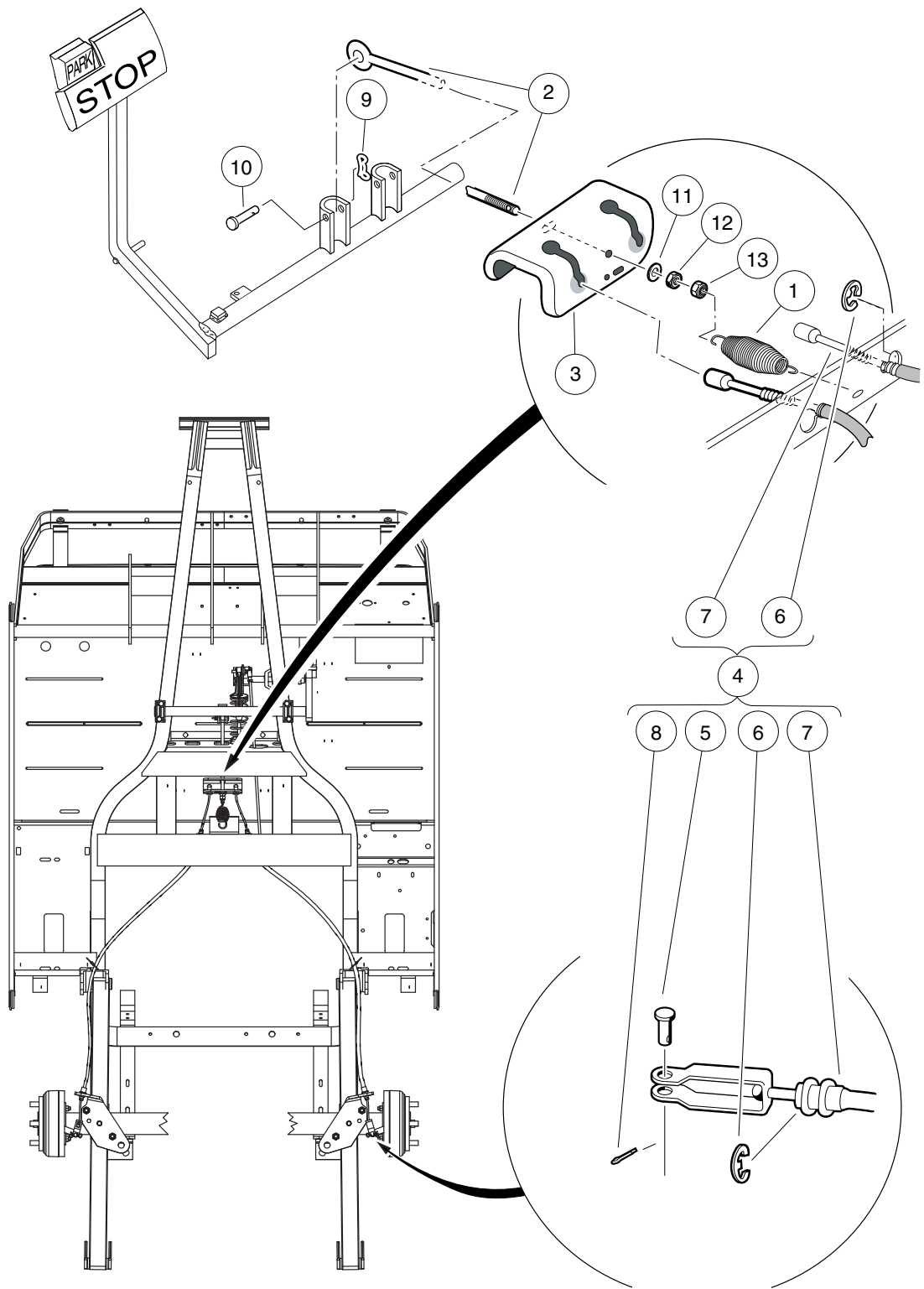
000295-001

REAR BRAKE CABLES & EQUALIZER – TURF/CA 2 XRT, 252, 2 AND CA 2 PLUS WITH 4-WHEEL BRAKES

ITEM	PART NO.	DESCRIPTION	QTY
		1 2 3 4	
1	1013531	Spring, Brake Return	1
2	101953102	Rod, Equalizer, 20.91"	1
3	101990801	Equalizer Bracket	1
4	102166901	Kit, Brake Cable Rear (includes items 5 through 8)	1
5	1010829	Pin, Clevis, 5/16 X 3/4	2
6	1011779	E-Clip, 1/2	4
7	102162601	Cable, Brake	2
8	102292801	Pin, Bow Tie Locking - .072	2
9	102323101	Pin, Bow Tie Locking	1
10	102323201	Pin, 3/8 X 1-5/16 Clevis	1
11	1241	Washer, 5/16 Type A Flat	1
12	1242	Nut, 5/16-18 Hex	1
13	7473	Locknut, 5/16-18 Nylon Insert	1

4
G
E

4
G
E



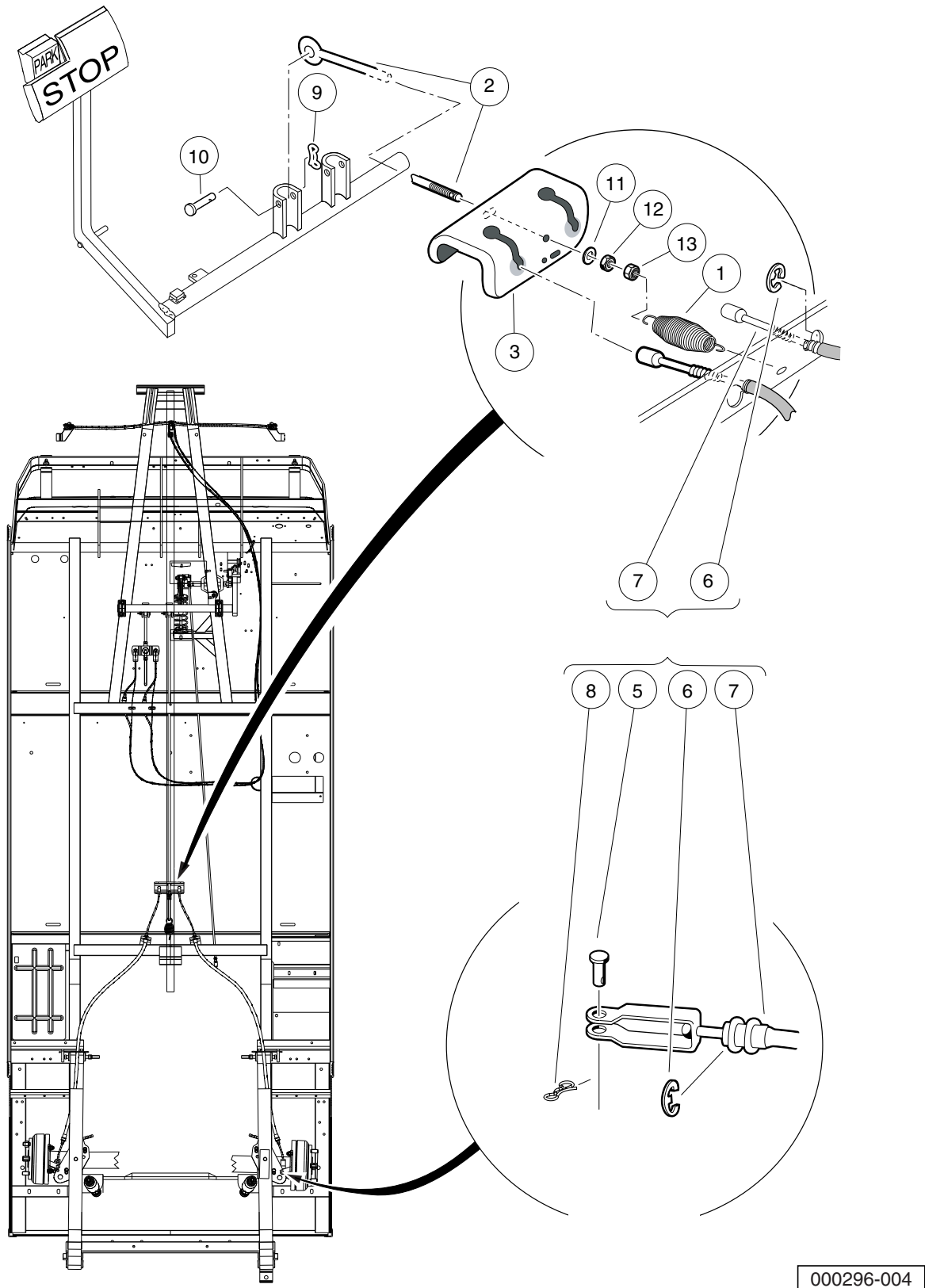
000296-001

BRAKE CABLES AND EQUALIZER – TURF/CARRYALL 2 VEHICLES WITH TWO-WHEEL BRAKES

ITEM	PART NO.	DESCRIPTION	QTY
		1 2 3 4	
1	1013531	Spring, Brake Return	1
2	101953102	Rod, Equalizer, 20.91"	1
3	101990801	Equalizer Bracket	1
4	102022101	Brake Cable Kit (includes items 5 through 8)	2
5	1010829	Pin, Clevis, 5/16 X 3/4	1
6	1011779	E-Clip, 1/2	2
7	N/A	Cable, Brake, 41"	1
8	1035	Cotter Pin, 3/32 x 1	1
9	102323101	Pin, Bow Tie Locking	1
10	102323201	Pin, 3/8 X 1-5/16 Clevis	1
11	1241	Washer, 5/16 Type A Flat	1
12	1242	Nut, 5/16-18 Hex	1
13	7473	Locknut, 5/16-18 Nylon Insert	1

4
G
E

4
G
E



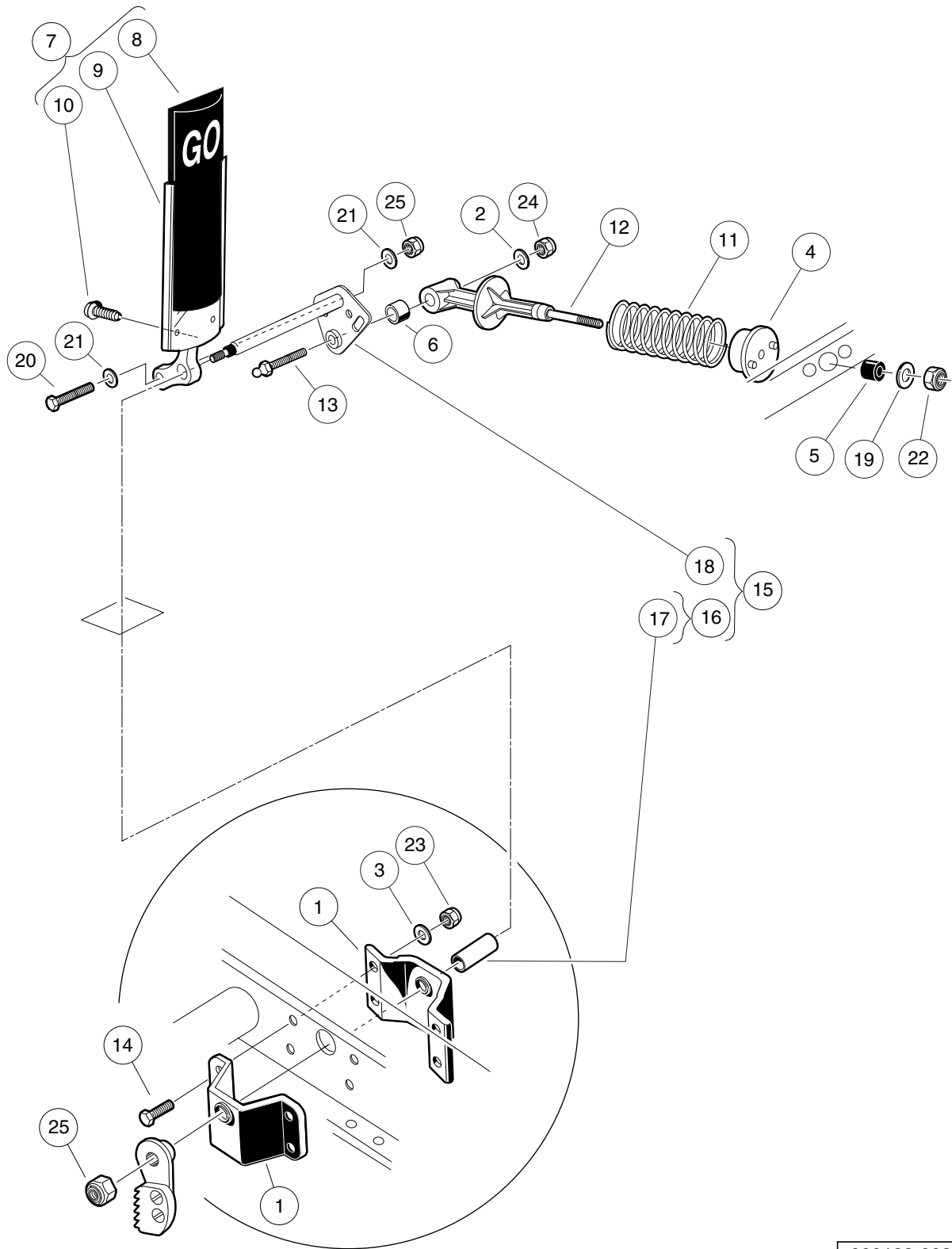
000296-004

REAR BRAKE CABLES, EQUALIZER, AND EQUALIZER ROD – TURF/CARRYALL 6 VEHICLES

ITEM	PART NO.	DESCRIPTION	QTY
		1 2 3 4	
1	1013531	Spring, Brake Return	1
2	101953103	Rod, Equalizer	1
3	101990801	Equalizer Bracket	1
4	102166901	Kit, Brake Cable Rear (includes items 5 through 8)	1
5	1010829	Pin, Clevis, 5/16 X 3/4	2
6	1011779	E-Clip, 1/2	4
7	102162601	Cable, Brake	2
8	102292801	Pin, Bow Tie Locking - .072	2
9	102323101	Pin, Bow Tie Locking	1
10	102323201	Pin, 3/8 X 1-5/16 Clevis	1
11	1241	Washer, 5/16 Type A Flat	1
12	1242	Nut, 5/16-18 Hex	1
13	7473	Locknut, 5/16-18 Nylon Insert	1

4
G
E

4
G
E



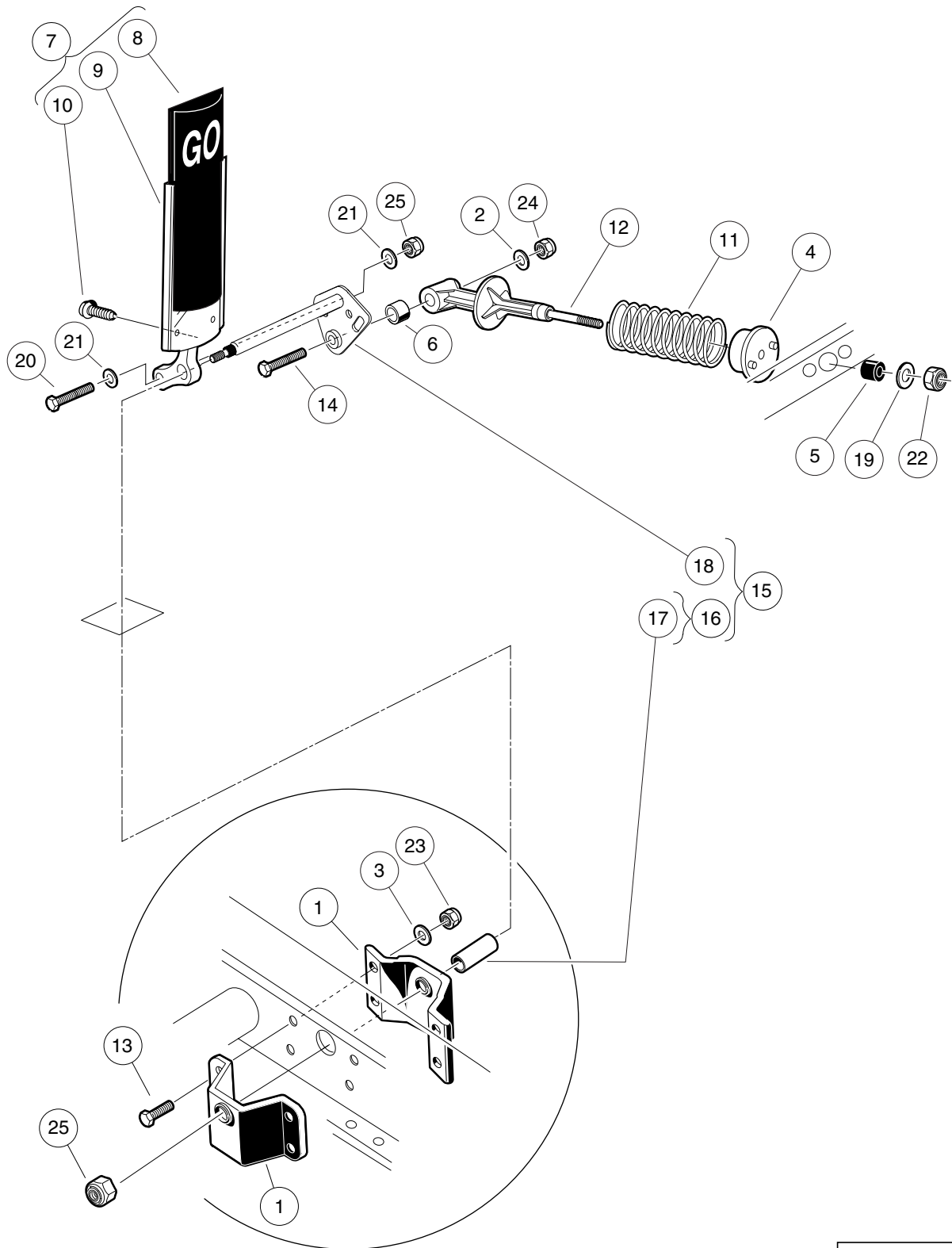
000188-003

ACCELERATOR PEDAL – GASOLINE VEHICLES

ITEM	PART NO.	DESCRIPTION	QTY
		1 2 3 4	
1	1011694	Accelerator Bracket and Bearing Assembly	2
2	1011931	Washer, 1/4 Flat	1
3	1014007	Washer, 1/4 Flat	4
4	1017378	Cup, Spring	1
5	1017380	Bumper, Spring Return	1
6	1017424	Bearing, Pivot Support	1
7	1017696	Sub Asm, Accelerator Pedal (includes items 8 through 10)	1
8	1013871	Pad, Accelerator Pedal	1
9	N/A	Accelerator Pedal Weldment	1
10	7716	Screw, #10-16 Type AB, Sheet Metal	4
11	101796201	Spring, Accelerator Return	1
12	101817401	Retainer, Spring	1
13	101818801	Stud, 1/4-28 X 1.35 Ball	1
14	101861901	Screw, 1/4-20 X 1.125 Hex Cap	4
15	102026001	Kit, Accelerator Pivot Rod Assembly (includes items 16 through 18)	1
16	1011700	Spacer Assembly (includes item 17)	1
17	101919801	Spacer, Accelerator	1
18	N/A	Pivot Rod Weldment	1
19	1241	Washer, 5/16 Type A Flat	1
20	1624	Screw, 3/8-16 X 1.50 Hex-Head Cap	1
21	334	Washer, 3/8 Type A Flat	2
22	7473	Locknut, 5/16-18 Nylon Insert	1
23	8233	Locknut, 1/4-20 Nylon Insert	4
24	8717	Locknut, 1/4-28 Nylon Insert	1
25	8754	Locknut, 3/8-16 Hex	2

4
G
E

4
G
E



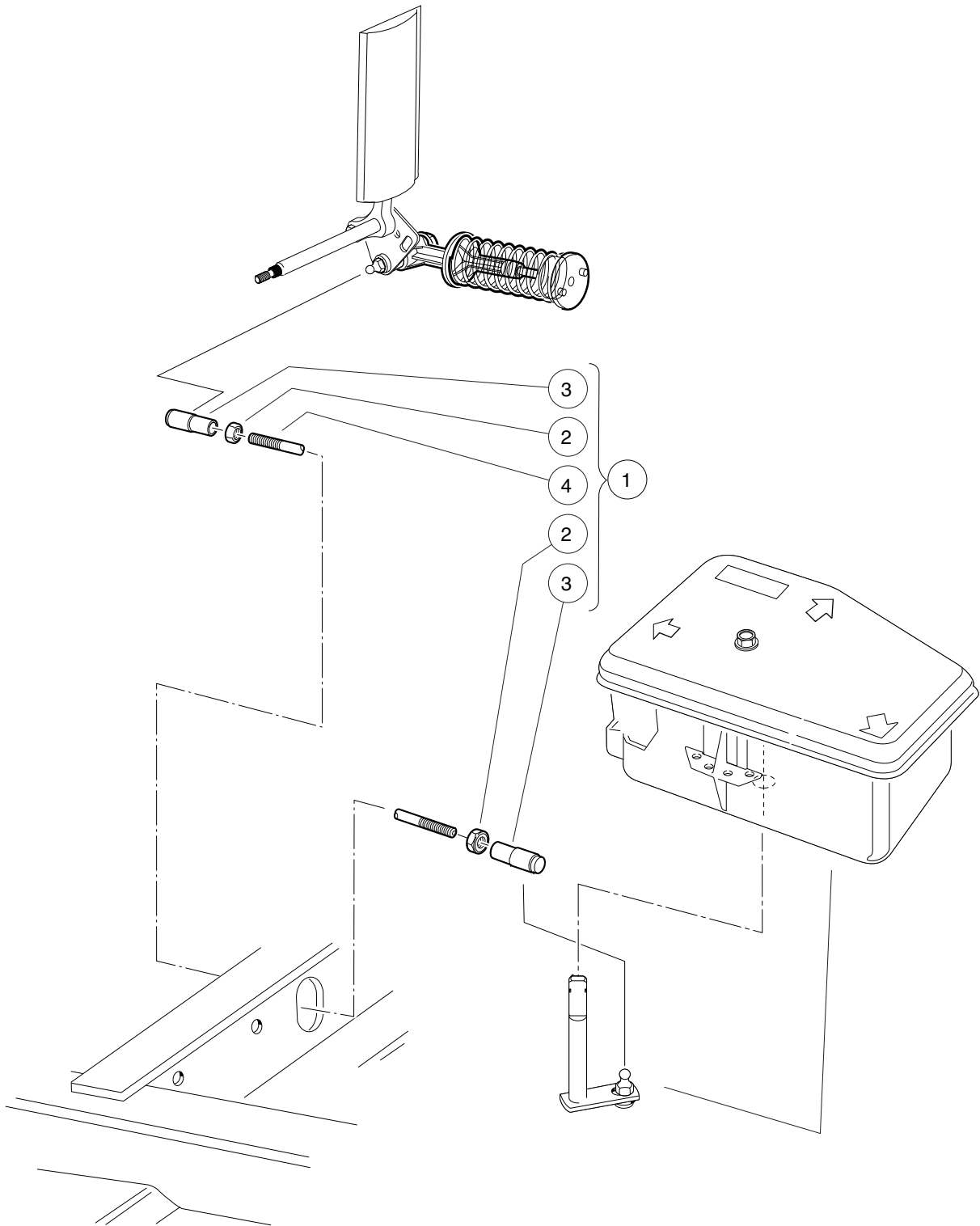
000188-004

ACCELERATOR PEDAL ASSEMBLY – ELECTRIC VEHICLES WITH MCOR

ITEM	PART NO.	DESCRIPTION	QTY
		1 2 3 4	
1	1011694	Accelerator Bracket and Bearing Assembly	2
2	1011931	Washer, 1/4 Flat	1
3	1014007	Washer, 1/4 Flat	4
4	1017378	Cup, Spring	1
5	1017380	Bumper, Spring Return	1
6	1017424	Bearing, Pivot Support	1
7	1017696	Sub Asm, Accelerator Pedal (includes items 8 through 10)	1
8	1013871	Pad, Accelerator Pedal	1
9	N/A	Accelerator Pedal Weldment	1
10	7716	Screw, #10-16 Type AB, Sheet Metal	4
11	101796201	Spring, Accelerator Return	1
12	101817401	Retainer, Spring	1
13	101861901	Screw, 1/4-20 X 1.125 Hex Cap	4
14	101862001	Screw, 1/4-20 X 1.500 Flange	1
15	102026001	Kit, Accelerator Pivot Rod Assembly (includes items 16 through 18)	1
16	1011700	Spacer Assembly (includes item 17)	1
17	101919801	Spacer, Accelerator	1
18	N/A	Pivot Rod Weldment	1
19	1241	Washer, 5/16 Type A Flat	1
20	1624	Screw, 3/8-16 X 1.50 Hex-Head Cap	1
21	334	Washer, 3/8 Type A Flat	2
22	7473	Locknut, 5/16-18 Nylon Insert	1
23	8233	Locknut, 1/4-20 Nylon Insert	4
24	8717	Locknut, 1/4-28 Nylon Insert	1
25	8754	Locknut, 3/8-16 Hex	2

4
G
E

4
G
E



000362-001

ACCELERATOR ROD – GASOLINE TURF/CARRYALL 1

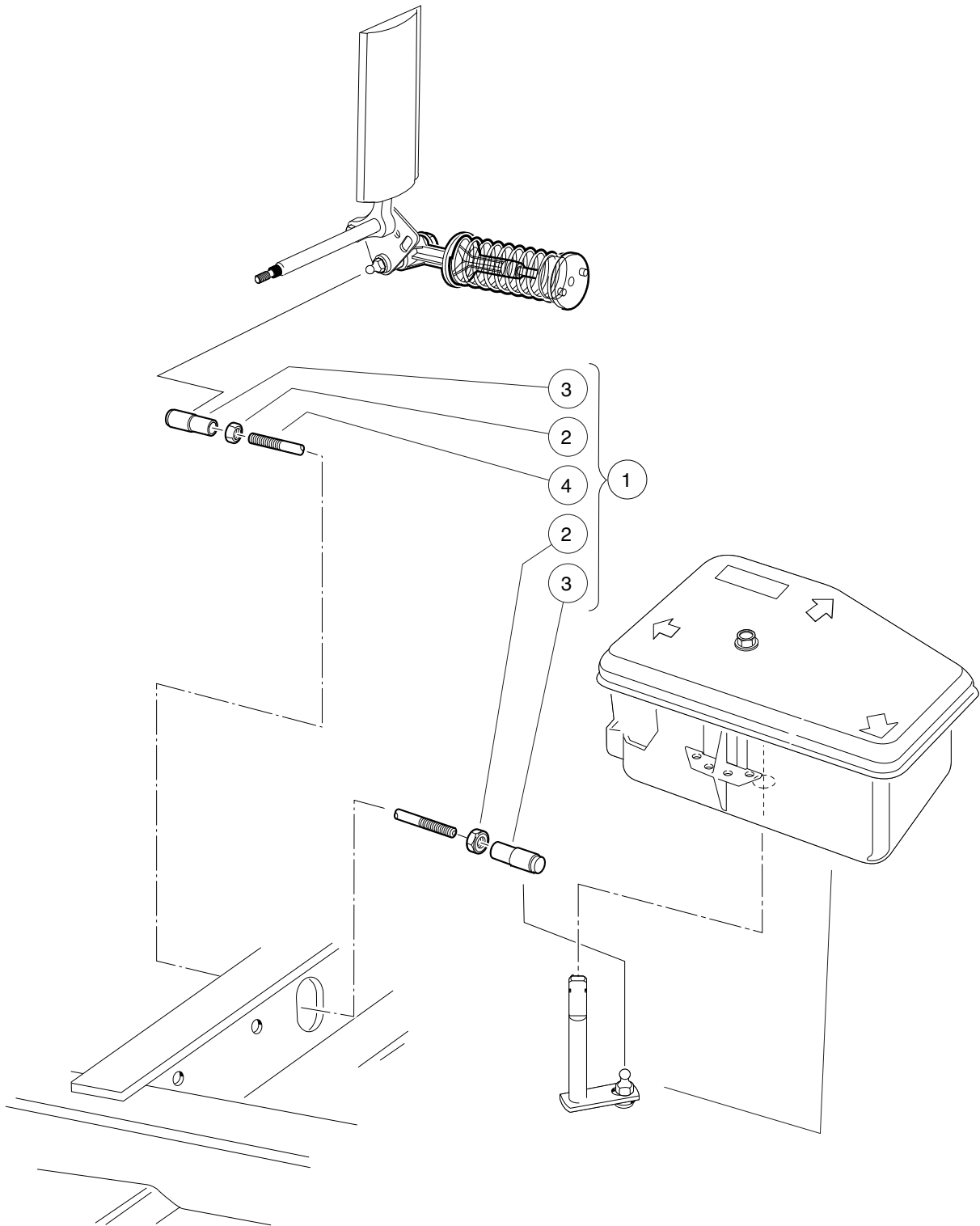
ITEM	PART NO.	DESCRIPTION	QTY
		1 2 3 4	
1	101912401	Rod, Accelerator (includes items 2 through 4)	1
2	1011084	Nut, 1/4-28 Hex Jam	2
3	1011734	Joint, Ball	2
4	N/A	Accelerator Rod	1

4

G

E

4
G
E



000362-001

ACCELERATOR ROD – GASOLINE TURF/CARRYALL 2, 252, 2 XRT, AND 2 PLUS

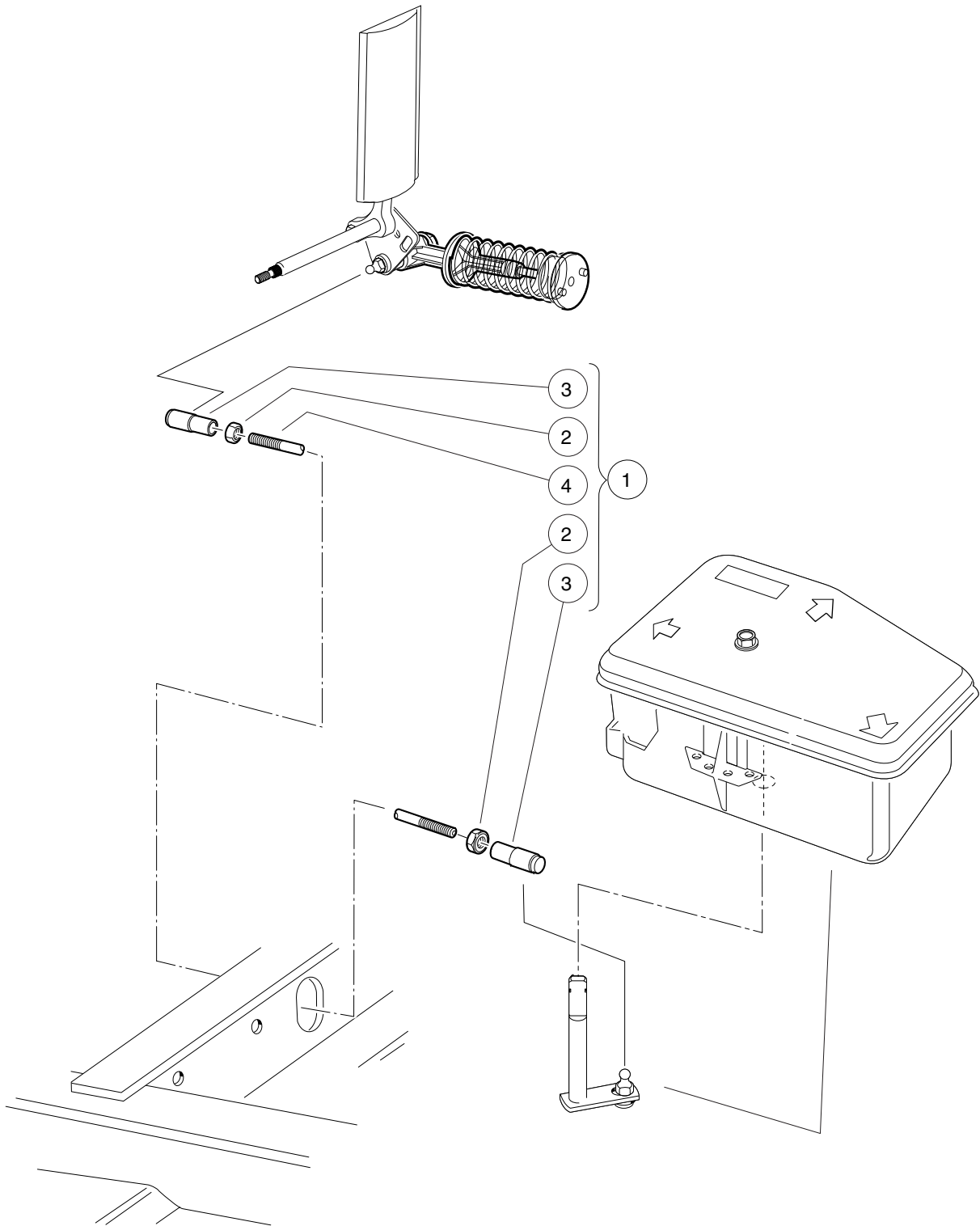
ITEM	PART NO.	DESCRIPTION	QTY
		1 2 3 4	
1	101822001	Rod, Accelerator (includes items 2 through 4)	1
2	1011084	Nut, 1/4-28 Hex Jam	2
3	1011734	Joint, Ball	2
4	N/A	Accelerator Rod	1

4

G

E

4
G
E



000362-001

ACCELERATOR ROD – GASOLINE TURF/CARRYALL 6

ITEM	PART NO.	DESCRIPTION	QTY
		1 2 3 4	
1	101674702	Rod, Accelerator (includes items 2 through 4)	1
2	1011084	Nut, 1/4-28 Hex Jam	2
3	1011734	Joint, Ball	2
4	N/A	Accelerator Rod Elec Stretch	1

4

G

E

4

G

E

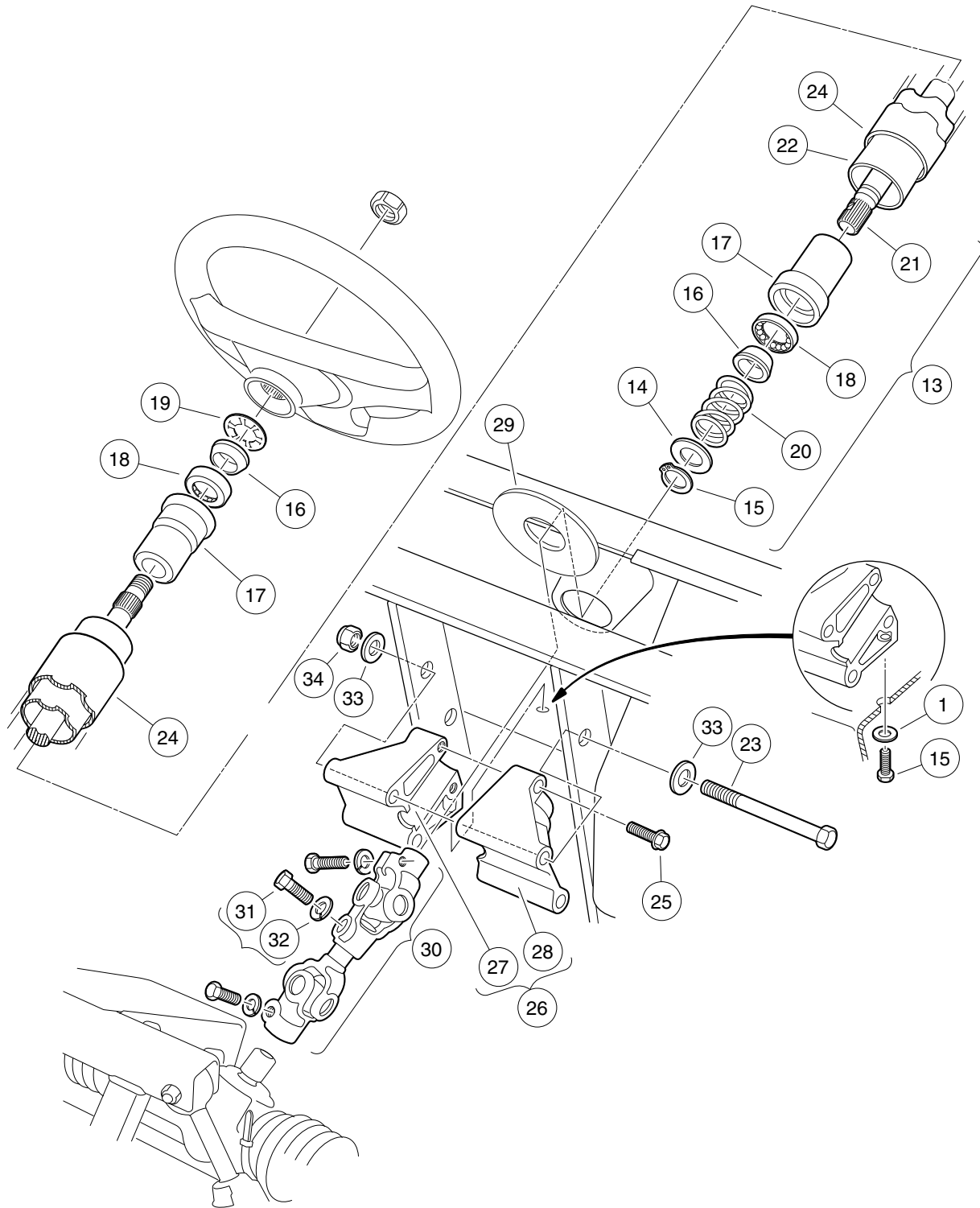
STEERING, FRONT AND REAR SUSPENSION

5

G

E

5
G
E



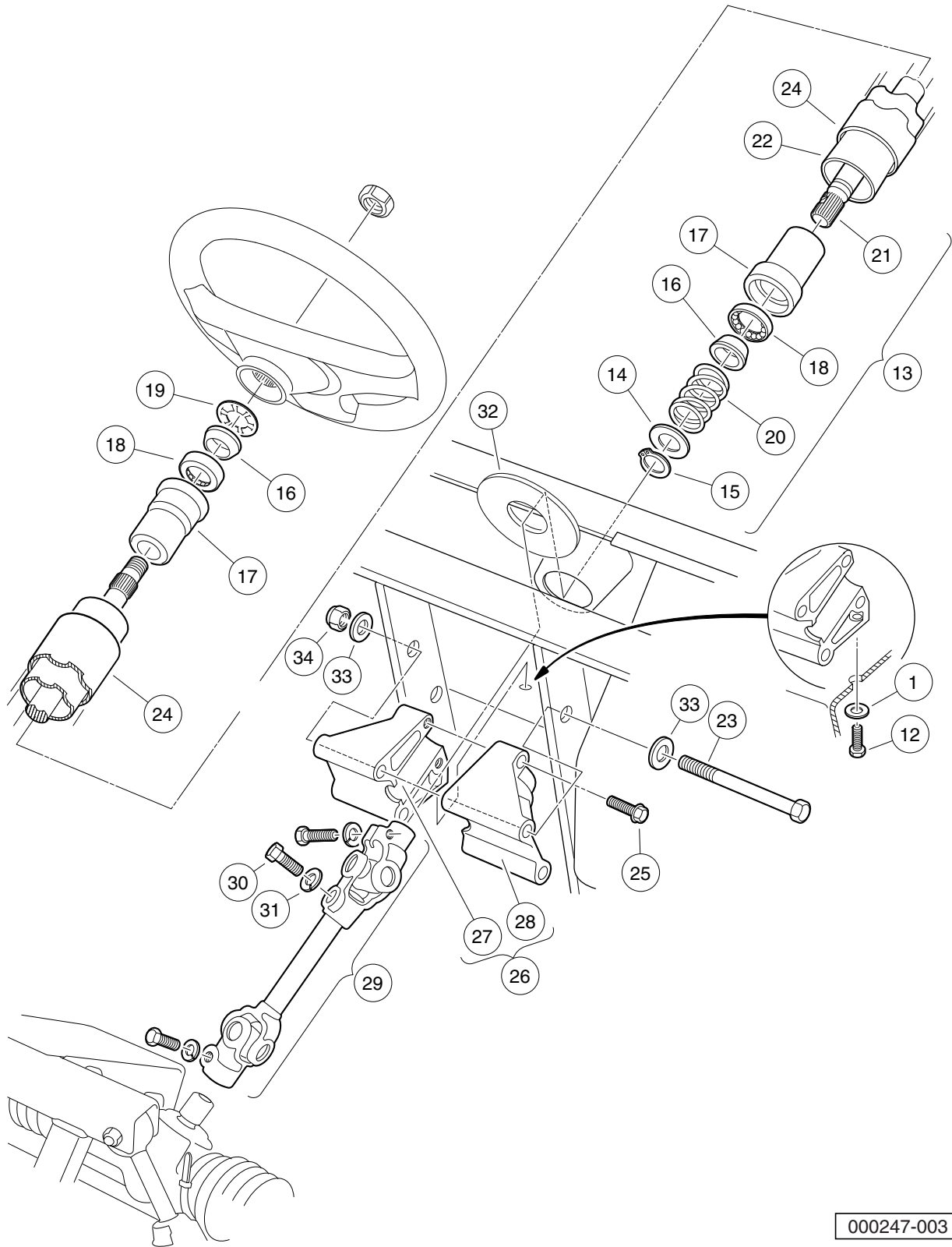
000247-002

STEERING COLUMN – ALL VEHICLES EXCEPT TURF/ CARRYALL 2 XRT AND TURF/CARRYALL 252

ITEM	PART NO.	DESCRIPTION	QTY
		1 2 3 4	
1	1011697	Washer, 5/16 Flat	1
2	1014216	Steering Column Rebuild Kit (includes items 3 through 11)	1
3	1012466	Dust Cover	1
4	1012605	Ring, 0.579 Internal Retaining	1
5	1014125	Wedge, Molded	2
6	1014126	Seat, Plastic Bearing	2
7	1014211	Seal, Bearing	1
8	1014212	Spacer, Shaft	1
9	1014213	Bearing, Ball	2
10	1014214	Ring, Retaining	1
11	1014217	Spring, Steering Shaft	1
12	1014288	Screw, 5/16-18 X 0.75 Thread-Forming	1
13	1016181	Steering Shaft Assembly (includes items 14 through 22)	1
14	1012604	Washer, 0.675 ID X 1.19 OD	1
15	1012605	Ring, 0.579 Internal Retaining	1
16	1014125	Wedge, Molded	2
17	1014126	Seat, Plastic Bearing	2
18	1014213	Bearing, Ball	2
19	1014214	Ring, Retaining	1
20	1014217	Spring, Steering Shaft	1
21	1015545	Shaft, Steering Column	1
22	1016622	Column, Aluminum Steering	1
23	1016183	Screw, 3/8-16 X 7.00 Hex Cap	2
24	1016263	Cover, Steering Column Tube	1
25	1016269	Screw, 5/16-18 Thrd Forming	2
26	101984801	Kit, Steering Column Mounting Bracket (includes items 27 and 28)	1
27	N/A	Bracket, RH Steering Column Mount	1
28	N/A	Bracket, LH Steering column mount	1
29	102278001	Boot, Steering Column Round	1
30	103601601	Shaft, Intermediate Steering (includes items 31 and 32)	1
31	1017226	Bolt, Hex-Head, 8mm X 1.25 - 30	3
32	7174	Lockwasher, 5/16 Split	3
33	334	Washer, 3/8 Type A Flat	4
34	8754	Locknut, 3/8-16 Hex	2

5
G
E

5
G
E



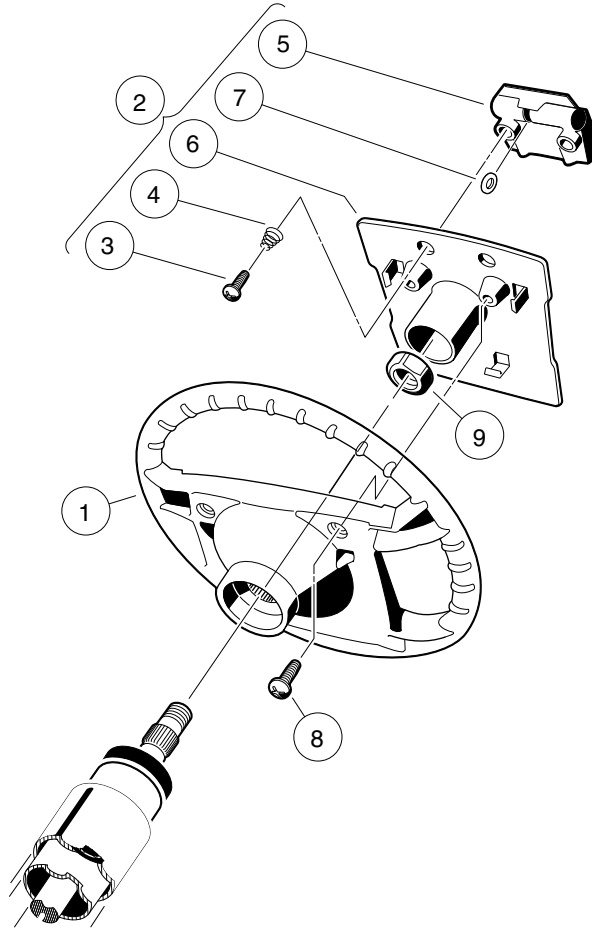
000247-003

STEERING COLUMN – TURF/CARRYALL 2 XRT AND TURF/ CARRYALL 252 VEHICLES

ITEM	PART NO.	DESCRIPTION	QTY
		1 2 3 4	
1	1011697	Washer, 5/16 Flat	1
2	1014216	Steering Column Rebuild Kit (includes items 3 through 11)	1
3	1012466	Dust Cover	1
4	1012605	Ring, 0.579 Internal Retaining	1
5	1014125	Wedge, Molded	2
6	1014126	Seat, Plastic Bearing	2
7	1014211	Seal, Bearing	1
8	1014212	Spacer, Shaft	1
9	1014213	Bearing, Ball	2
10	1014214	Ring, Retaining	1
11	1014217	Spring, Steering Shaft	1
12	1014288	Screw, 5/16-18 X 0.75 Thread-Forming	1
13	1016181	Steering Shaft Assembly (includes items 14 through 22)	1
14	1012604	Washer, 0.675 ID X 1.19 OD	1
15	1012605	Ring, 0.579 Internal Retaining	1
16	1014125	Wedge, Molded	2
17	1014126	Seat, Plastic Bearing	2
18	1014213	Bearing, Ball	2
19	1014214	Ring, Retaining	1
20	1014217	Spring, Steering Shaft	1
21	1015545	Shaft, Steering Column	1
22	1016622	Column, Aluminum Steering	1
23	1016183	Screw, 3/8-16 X 7.00 Hex Cap	2
24	1016263	Cover, Steering Column Tube	1
25	1016269	Screw, 5/16-18 Thrd Forming	2
26	101984801	Kit, Steering Column Mounting Bracket (includes items 27 and 28)	1
27	N/A	Bracket, RH Steering Column Mount	1
28	N/A	Bracket, LH Steering column mount	1
29	102004101	Joint, Steering (includes items 30 and 31)	1
30	1017226	Bolt, Hex-Head, 8mm X 1.25 - 30	3
31	7174	Lockwasher, 5/16 Split	3
32	102278001	Boot, Steering Column Round	1
33	334	Washer, 3/8 Type A Flat	4
34	8754	Locknut, 3/8-16 Hex	2
		Note: Item 5 is not illustrated.	

5
G
E

5
G
E

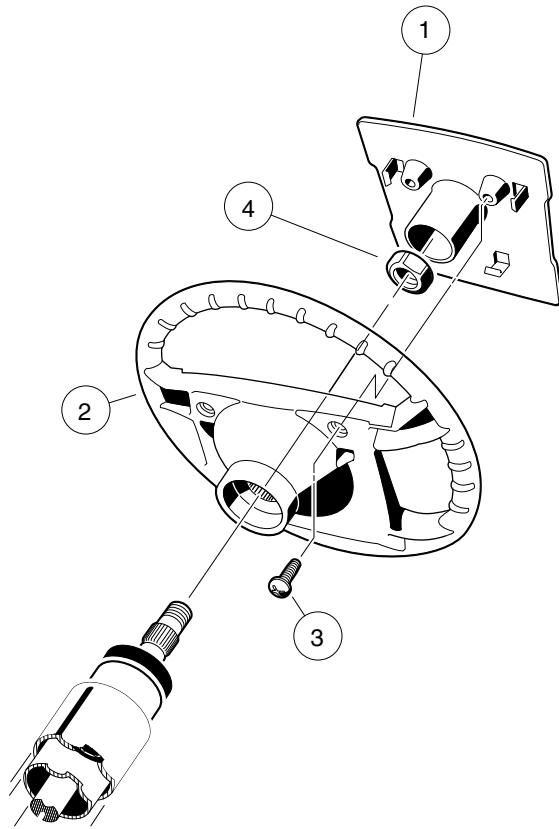


000246-002

STEERING WHEEL – TURF VEHICLES

ITEM	PART NO.	DESCRIPTION	QTY
		1 2 3 4	
1	1016156	Wheel, Steering	1
2	1016219	Plate, Scorecard (includes items 3 through 7)	1
3	1012565	Screw, #12 Phillips Round Head	2
4	1012566	Tapered Compression Spring	2
5	1016154	Clip, Scorecard	1
6	N/A	Plate, Score Card	1
7	N/A	Pencil Grip	1
8	1016663	Screw, #12-14 X 0.625	2
9	1017273	Nut, 5/8-18 Nylon Insert Jam	1

5
G
E



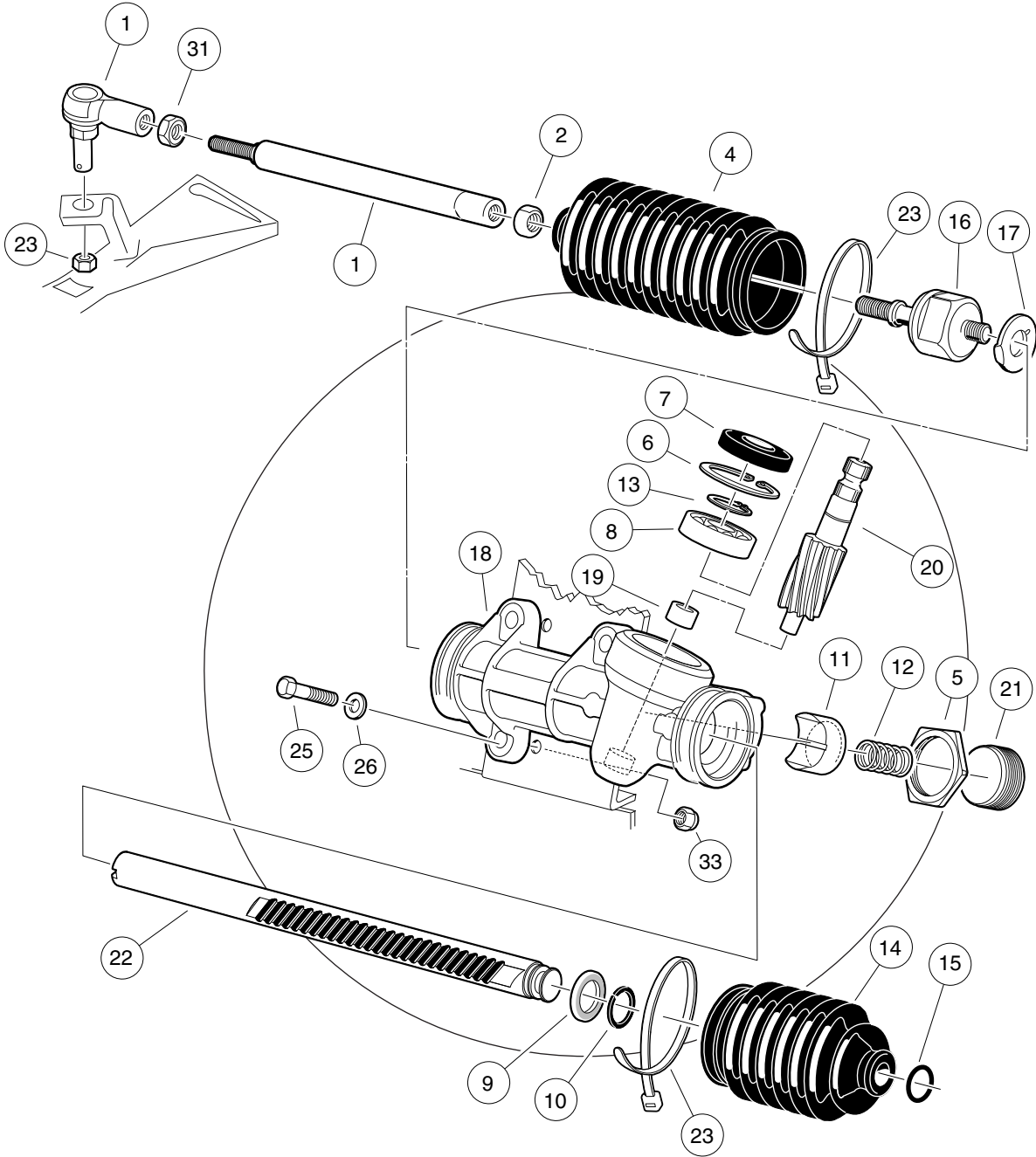
000246-003

STEERING WHEEL – CARRYALL VEHICLES

ITEM	PART NO.	DESCRIPTION	QTY
		1 2 3 4	
1	101615504	Plate, Scorecard	1
2	1016156	Wheel, Steering	1
3	1016663	Screw, #12-14 X 0.625	2
4	1017273	Nut, 5/8-18 Nylon Insert Jam	1

5
G
E

5
G
E

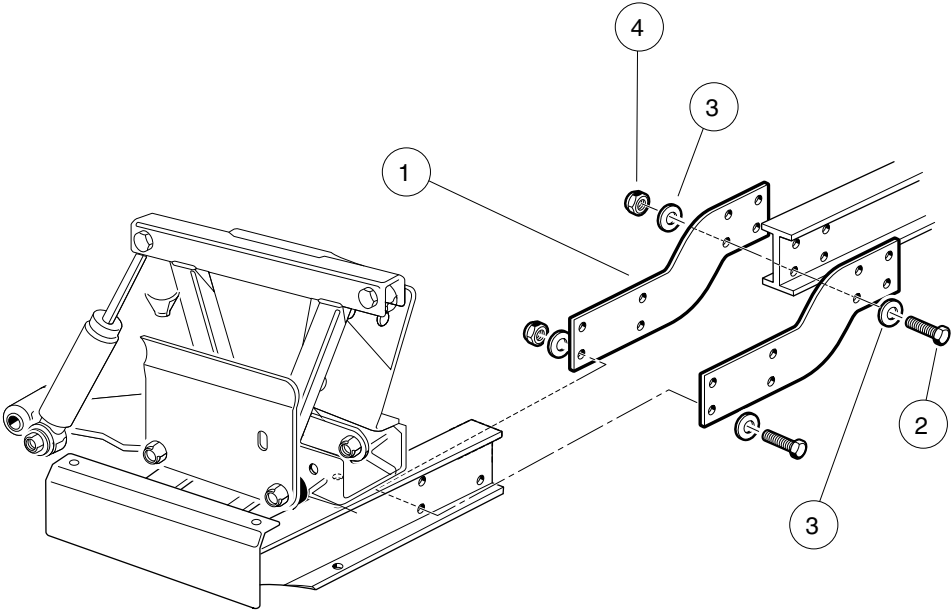


000189-001

STEERING GEAR ASSEMBLY

ITEM	PART NO.	DESCRIPTION	QTY
		1 2 3 4	
1	1012467	Link, Rack and Pinion Drag	1
2	1013042	Nut, 12mm Hex	1
3	101878302	Steering Gear Assembly (without yoke) (includes items 4 through 23)	1
4	1013035	Bellows, Long	1
5	1013044	Rack Screw Locknut	1
6	1013051	Snap Ring	1
7	1013052	Seal, Steering Pinion Dust	1
8	101879401	Bearing, Ball	1
9	101879501	Stop Washer	1
10	101879601	Stop Ring, C-Type	1
11	101879701	Support Yoke	1
12	101879801	Rack Guide Pressure Spring	1
13	101879901	Ring, Stop, C-Type	1
14	101880001	Bellows, Short	1
15	101880101	Dust Seal Retaining Ring	1
16	101880201	Inner Ball Joint Asm	1
17	101880301	Washer, Tab	1
18	N/A	Box, Steering Gear	1
19	N/A	Bearing, Lower Pinion	1
20	N/A	Pinion, Steering	1
21	N/A	Screw, Rack Guide	1
22	N/A	Rack, Steering	1
23	8990	Tie Wrap, 8" Nylon	2
24	1035	Cotter Pin, 3/32 x 1	1
25	1624	Screw, 3/8-16 X 1.50 Hex-Head Cap	3
26	334	Washer, 3/8 Type A Flat	3
27	7540	Ball Joint, Left (includes items 28 through 31)	1
28	1011895	Socket, LH Vertical	1
29	1011930	Seal, Vertical Socket Dust	1
30	1015597	Fitting, 1/4-28 Thread-Forming Grease	1
31	7602	Nut, 3/8-24 UNF Hex	1
32	7555	Nut, 1/2-20 Hex, Left-Hand Thread	1
33	8754	Locknut, 3/8-16 Hex	3

5
G
E



000304-001

FRONT FRAME PLATES – TURF/CARRYALL 252 AND TURF/ CARRYALL 2 XRT

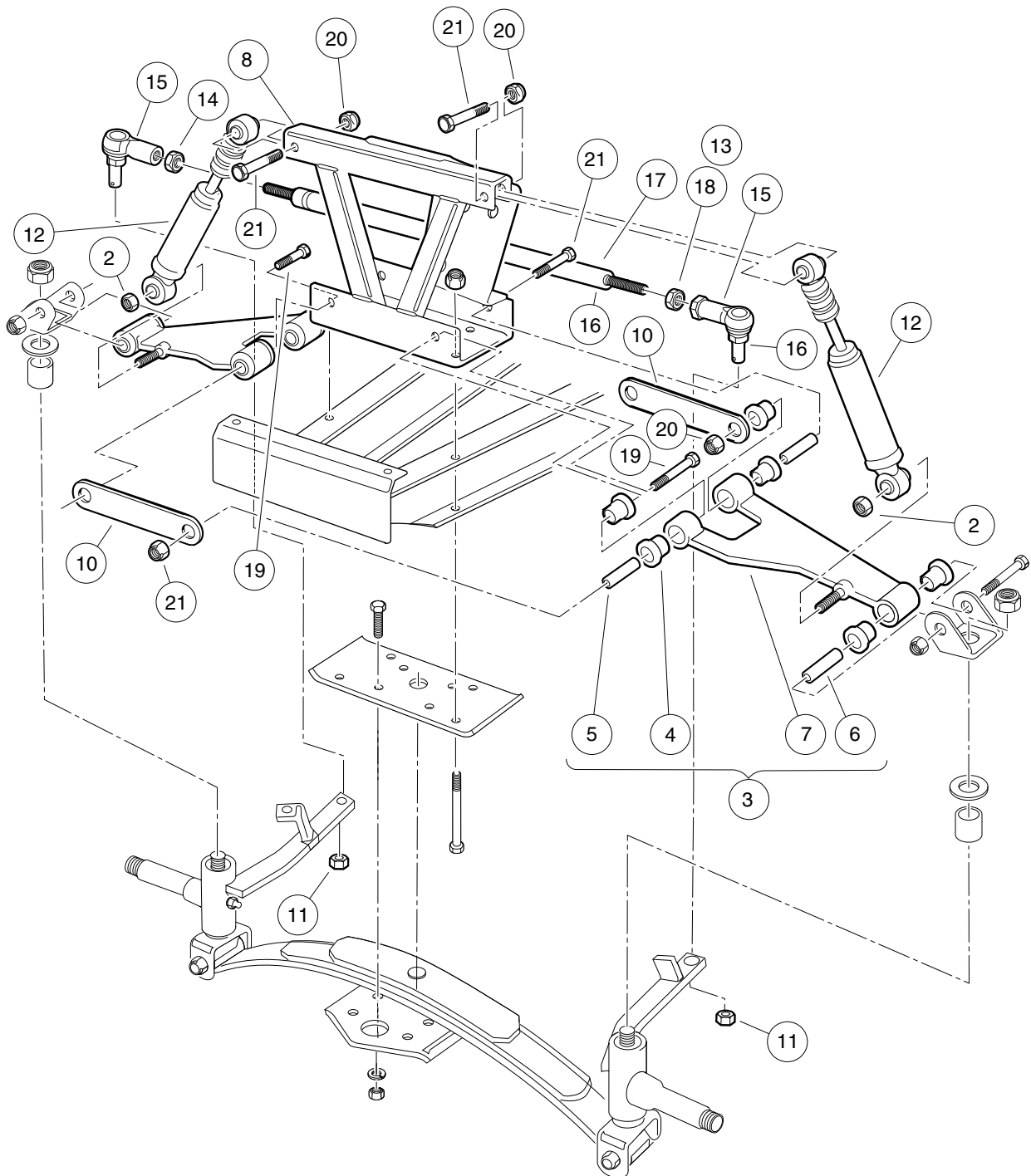
ITEM	PART NO.	DESCRIPTION	QTY
		1 2 3 4	
1	102003901	Extension, I-Beam	4
2	1218	Screw, 5/16-18 X 1.25 Hex-Head Cap	16
3	1241	Washer, 5/16 Type A Flat	32
4	7473	Locknut, 5/16-18 Nylon Insert	16

5

G

E

5
G
E



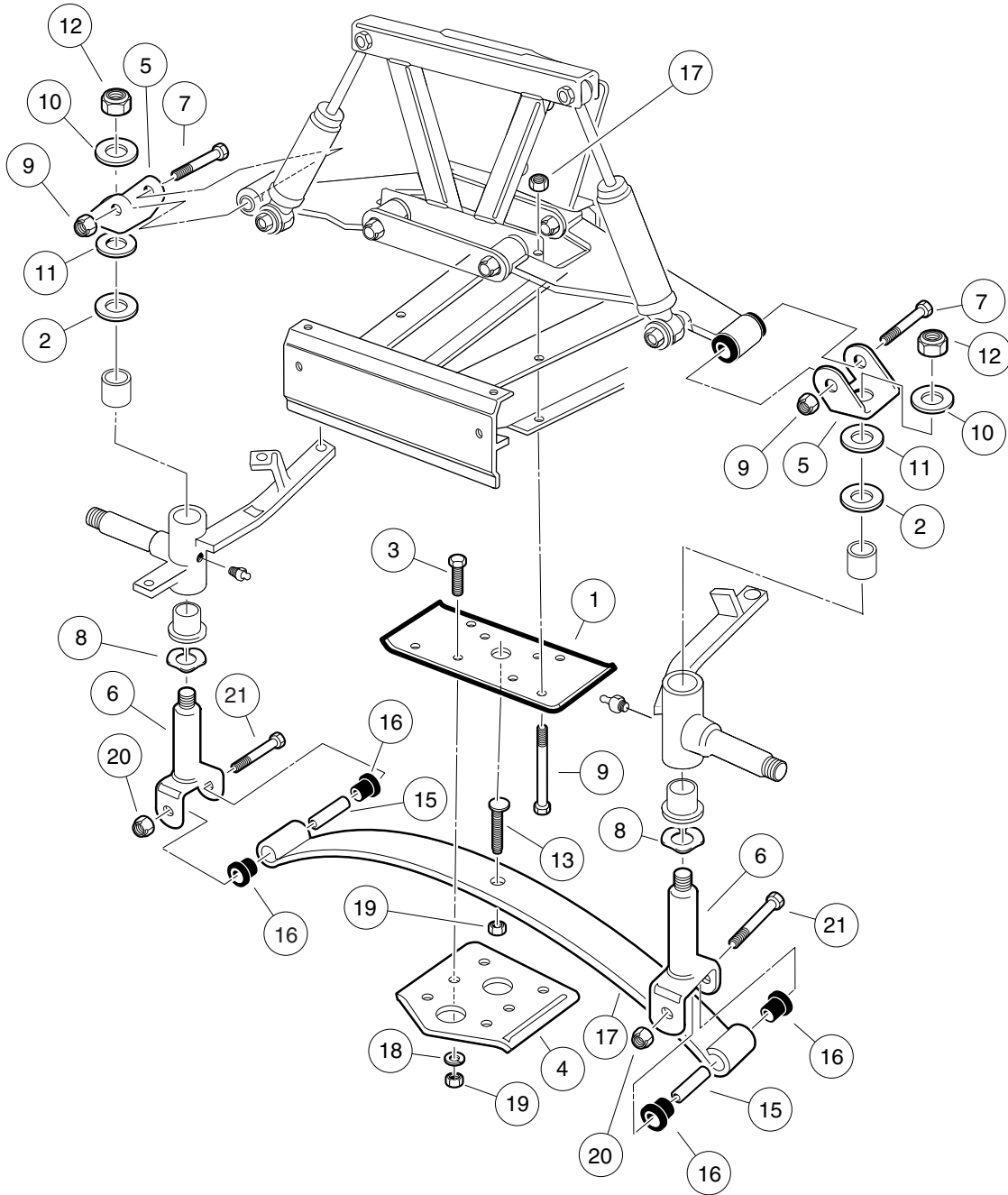
000312-002

FRONT SUSPENSION, UPPER – TURF/CARRYALL 1 AND TURF/ CARRYALL 2 WITH TWO-WHEEL BRAKES

ITEM	PART NO.	DESCRIPTION	QTY
		1 2 3 4	
1	N/A	Sub, Fr Susp. -1 Lf-2wb Golf (includes items 2 through 21)	1
2	1010138	Locknut, 3/8-16 Dimpled	2
3	1016353	Sub-Assembly, Delta A-Plate (includes items 4 through 7)	2
4	1016346	Bushing, Urethane	6
5	1016349	Sleeve, Delta Inner	2
6	1016350	Sleeve, Delta Outer	1
7	1016351	Delta A-Plate	1
8	1016385	Delta Shock and Gear Support Assembly	1
9	1016387	Screw, 3/8-16 X 2.75 Hx Hd Cap	2
10	1017266	A-Plate Strap	2
11	102289201	Nut - Hex Locking, M12 X 1.25	3
12	103351001	Shock Absorber, Front, Common	2
13	N/A	Asm, Tie Rod (includes items 14 through 18)	1
14	1013042	Nut, 12mm Hex	1
15	102022601	End, Tie Rod M12 X 1.25 Rh	1
16	102022602	End, Tie Rod, M12 X 1.25, Lh	1
17	103354701	Rod, Tie, Male Thd	1
18	103653501	Nut, Jam, M12-1.25, Lh	1
19	2402	Screw, 3/8-16 X 2.25 Hx Hd Cap	4
20	8754	Locknut, 3/8-16 Hex	13
21	8861	Bolt, 3/8-16 X 1.75 Hex	2

5
G
E

5
G
E



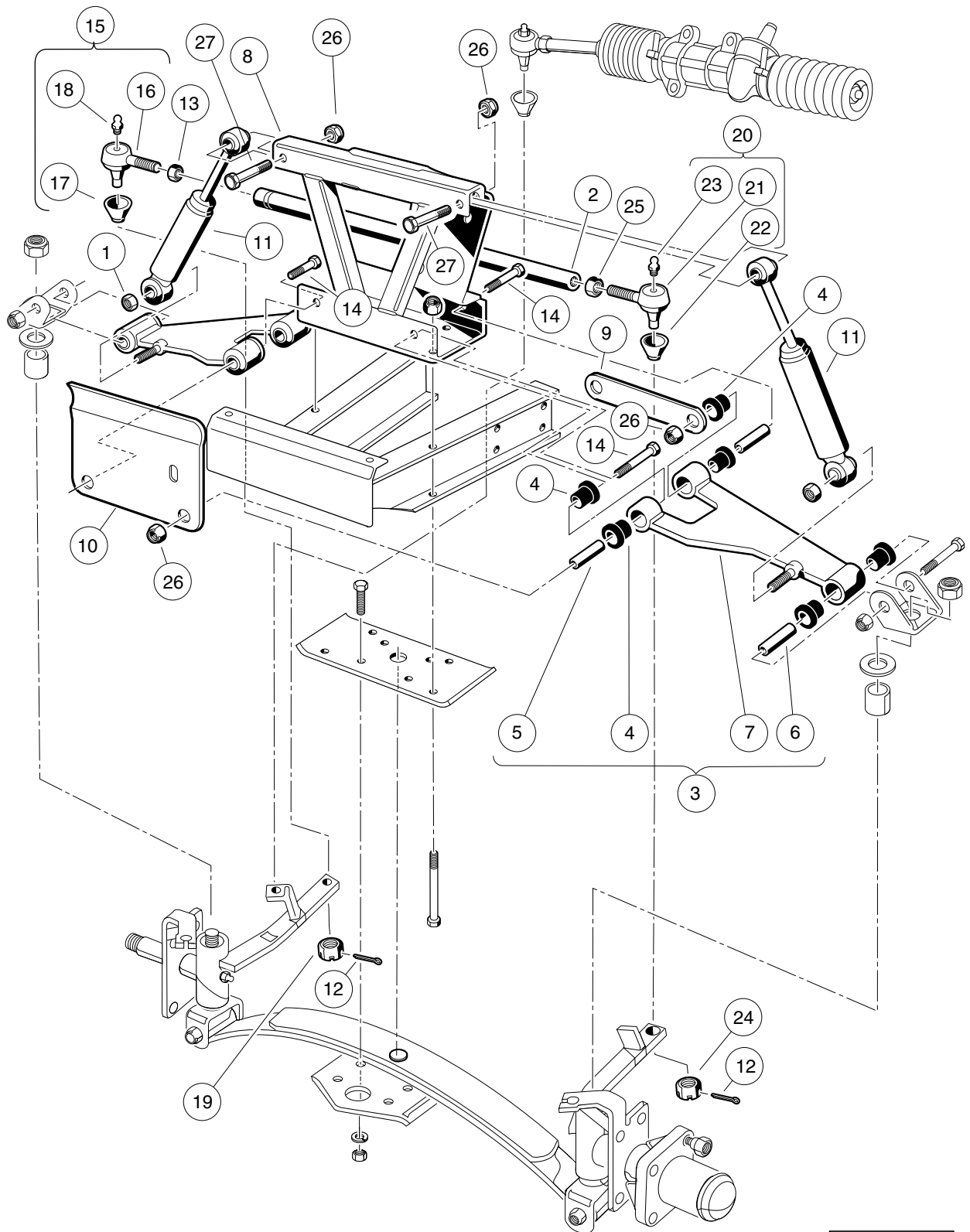
000311-001

FRONT SUSPENSION, LOWER – TURF/CARRYALL 1 AND TURF/ CARRYALL 2 WITH TWO-WHEEL BRAKES

ITEM	PART NO.	DESCRIPTION	QTY
		1 2 3 4	
1	1010124	Plate, Spring Mount	1
2	1010150	Bearing, Thrust	2
3	1010177	Bolt, 3/8-16 X 2.00 Hex Head	4
4	1014276	Plate, Front Spring Retainer	1
5	1016384	Clevis, Delta Upper	2
6	1016386	King Pin Assembly	2
7	1016387	Screw, 3/8-16 X 2.75 Hx Hd Cap	2
8	1016389	Washer, 1.125 Od Wave	2
9	101870501	Screw, 3/8-16 X 4.75 Hx Hd Cap	4
10	102564002	Washer-1/2 Conical, Yellow	2
11	102684501	Washer, M12 Hard Regular	2
12	102766301	Nut, 1/2-20, Center Lock	2
13	103507001	Eccentric Bolt Common	1
14	N/A	Spring Asm, Front, 1 Leaf (includes items 15 through 17)	1
15	1012303	Bushing, Steel	2
16	1015583	Bushing, Urethane	4
17	N/A	Spring, Front, 1 Leaf	1
18	357	Lockwasher, 3/8 Split	4
19	706	Nut, Hex 3/8-16	1
20	8754	Locknut, 3/8-16 Hex	4
21	8755	Screw, 3/8-16 X 3.375 Hex Cap	2

5
G
E

5
G
E



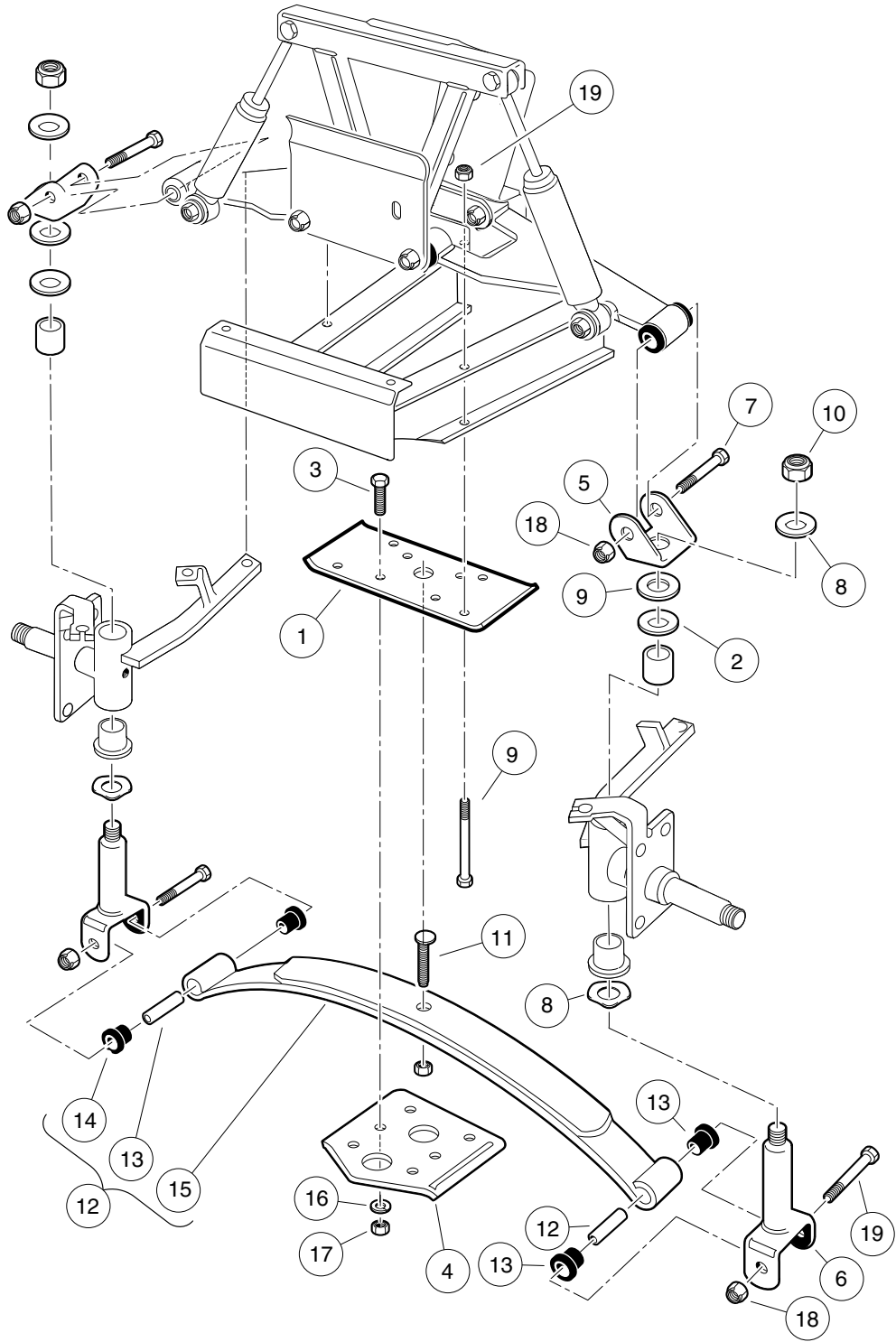
000314-001

FRONT SUSPENSION, UPPER – TURF/CARRYALL 252, TURF/ CARRYALL 2 XRT

ITEM	PART NO.	DESCRIPTION	QTY
		1 2 3 4	
1	1010138	Locknut, 3/8-16 Dimpled	2
2	1010219	Tie Rod	1
3	1016353	Sub-Assembly, Delta A-Plate (includes items 4 through 7)	2
4	1016346	Bushing, Urethane	6
5	1016349	Sleeve, Delta Inner	2
6	1016350	Sleeve, Delta Outer	1
7	1016351	Delta A-Plate	1
8	1016385	Delta Shock and Gear Support Assembly	1
9	1017266	A-Plate Strap	1
10	101955001	Brake Cable Guide Bracket	1
11	103351001	Shock Absorber, Front, Common	2
12	1035	Cotter Pin, 3/32 x 1	2
13	1308	Nut, 1/2-20 Hex	1
14	2402	Screw, 3/8-16 X 2.25 Hx Hd Cap	4
15	7539	Ball Joint, Right-Hand (includes items 16 through 19)	1
16	1011893	Socket, RH Vertical	1
17	1011930	Seal, Vertical Socket Dust	1
18	1015597	Fitting, 1/4-28 Thread-Forming Grease	1
19	7602	Nut, 3/8-24 UNF Hex	1
20	7540	Ball Joint, Left (includes items 21 through 24)	1
21	1011895	Socket, LH Vertical	1
22	1011930	Seal, Vertical Socket Dust	1
23	1015597	Fitting, 1/4-28 Thread-Forming Grease	1
24	7602	Nut, 3/8-24 UNF Hex	1
25	7555	Nut, 1/2-20 Hex, Left-Hand Thread	1
26	8754	Locknut, 3/8-16 Hex	6
27	8861	Bolt, 3/8-16 X 1.75 Hex	2

5
G
E

5
G
E



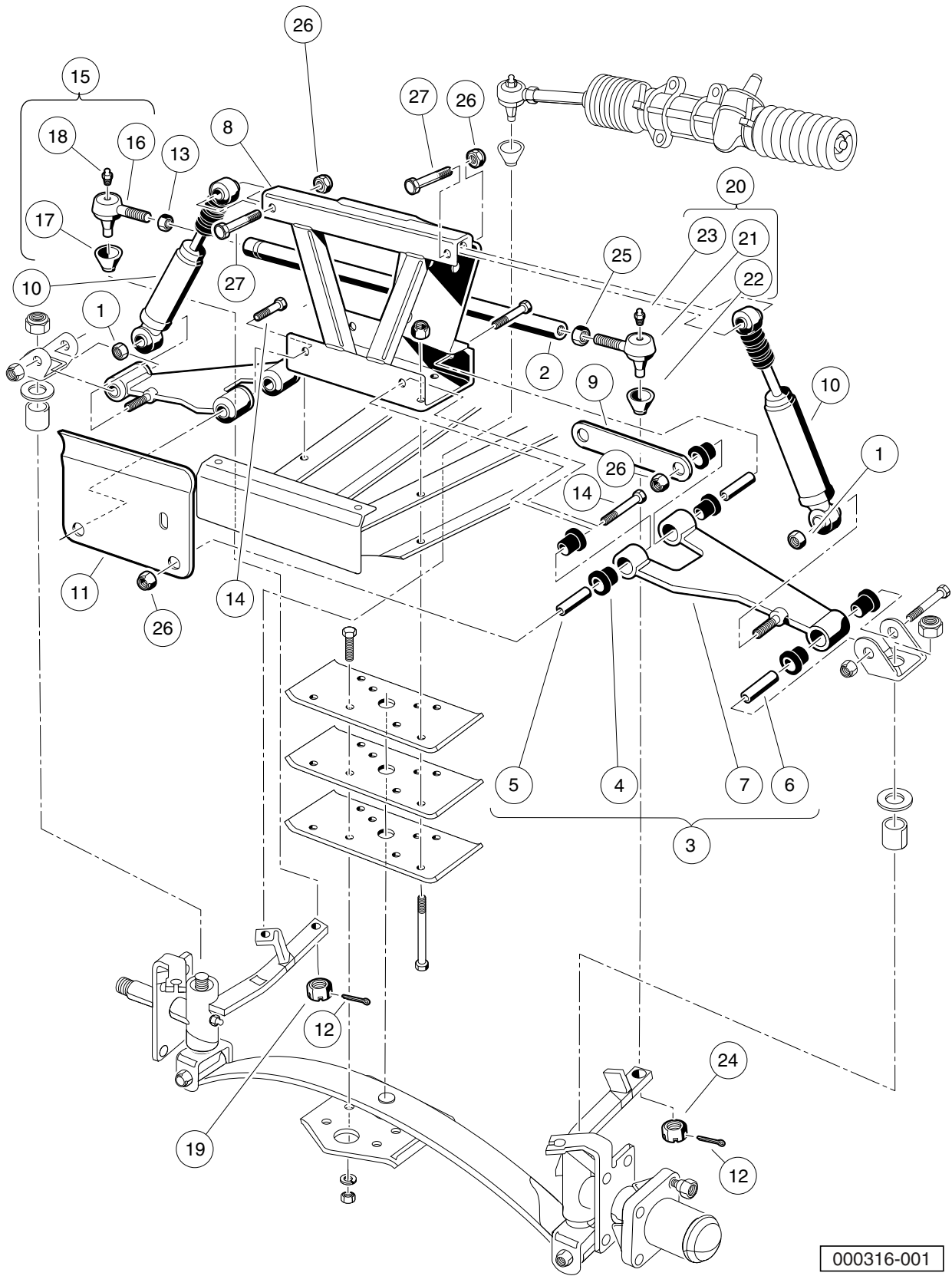
000313-001

FRONT SUSPENSION, LOWER – TURF/CARRYALL 252, TURF/ CARRYALL 2 XRT

ITEM	PART NO.	DESCRIPTION	QTY
		1 2 3 4	
1	1010124	Plate, Spring Mount	1
2	1010150	Bearing, Thrust	2
3	1010177	Bolt, 3/8-16 X 2.00 Hex Head	4
4	1014276	Plate, Front Spring Retainer	1
5	1016384	Clevis, Delta Upper	2
6	1016386	King Pin Assembly	2
7	1016387	Screw, 3/8-16 X 2.75 Hx Hd Cap	2
8	1016389	Washer, 1.125 Od Wave	2
9	101870501	Screw, 3/8-16 X 4.75 Hx Hd Cap	4
10	102766301	Nut, 1/2-20, Center Lock	2
11	103507001	Eccentric Bolt Common	1
12	103628801	Spring Asm, Front, 2 Leaf (includes items 13 through 15)	1
13	1012303	Bushing, Steel	2
14	1015583	Bushing, Urethane	4
15	103502701	Spring, Front, 2 Leaf	1
16	357	Lockwasher, 3/8 Split	4
17	706	Nut, Hex 3/8-16	4
18	8754	Locknut, 3/8-16 Hex	8
19	8755	Screw, 3/8-16 X 3.375 Hex Cap	2

5
G
E

5
G
E



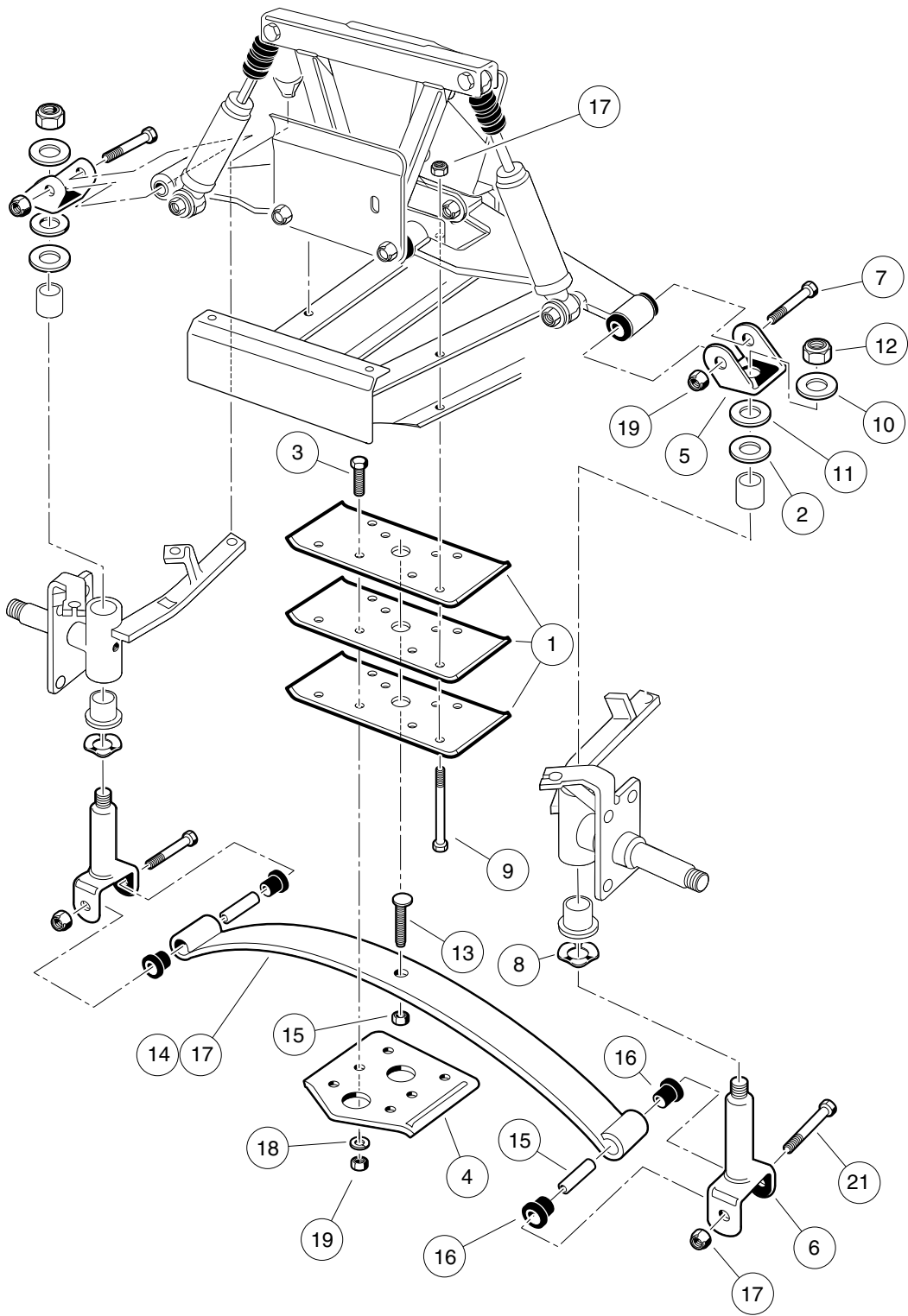
000316-001

FRONT SUSPENSION, UPPER – CARRYALL 2 PLUS AND TURF/ CARRYALL 2 WITH FOUR-WHEEL BRAKES

ITEM	PART NO.	DESCRIPTION	QTY
		1 2 3 4	
1	1010138	Locknut, 3/8-16 Dimpled	2
2	1010219	Tie Rod	1
3	1016353	Sub-Assembly, Delta A-Plate (includes items 4 through 7)	2
4	1016346	Bushing, Urethane	6
5	1016349	Sleeve, Delta Inner	2
6	1016350	Sleeve, Delta Outer	1
7	1016351	Delta A-Plate	1
8	1016385	Delta Shock and Gear Support Assembly	1
9	1017266	A-Plate Strap	1
10	101870601	Shock Absorber, Front Utility	2
11	101955001	Brake Cable Guide Bracket	1
12	1035	Cotter Pin, 3/32 x 1	2
13	1308	Nut, 1/2-20 Hex	1
14	2402	Screw, 3/8-16 X 2.25 Hx Hd Cap	4
15	7539	Ball Joint, Right-Hand (includes items 16 through 19)	1
16	1011893	Socket, RH Vertical	1
17	1011930	Seal, Vertical Socket Dust	1
18	1015597	Fitting, 1/4-28 Thread-Forming Grease	1
19	7602	Nut, 3/8-24 UNF Hex	1
20	7540	Ball Joint, Left (includes items 21 through 24)	1
21	1011895	Socket, LH Vertical	1
22	1011930	Seal, Vertical Socket Dust	1
23	1015597	Fitting, 1/4-28 Thread-Forming Grease	1
24	7602	Nut, 3/8-24 UNF Hex	1
25	7555	Nut, 1/2-20 Hex, Left-Hand Thread	1
26	8754	Locknut, 3/8-16 Hex	6
27	8861	Bolt, 3/8-16 X 1.75 Hex	2

5
G
E

5
G
E



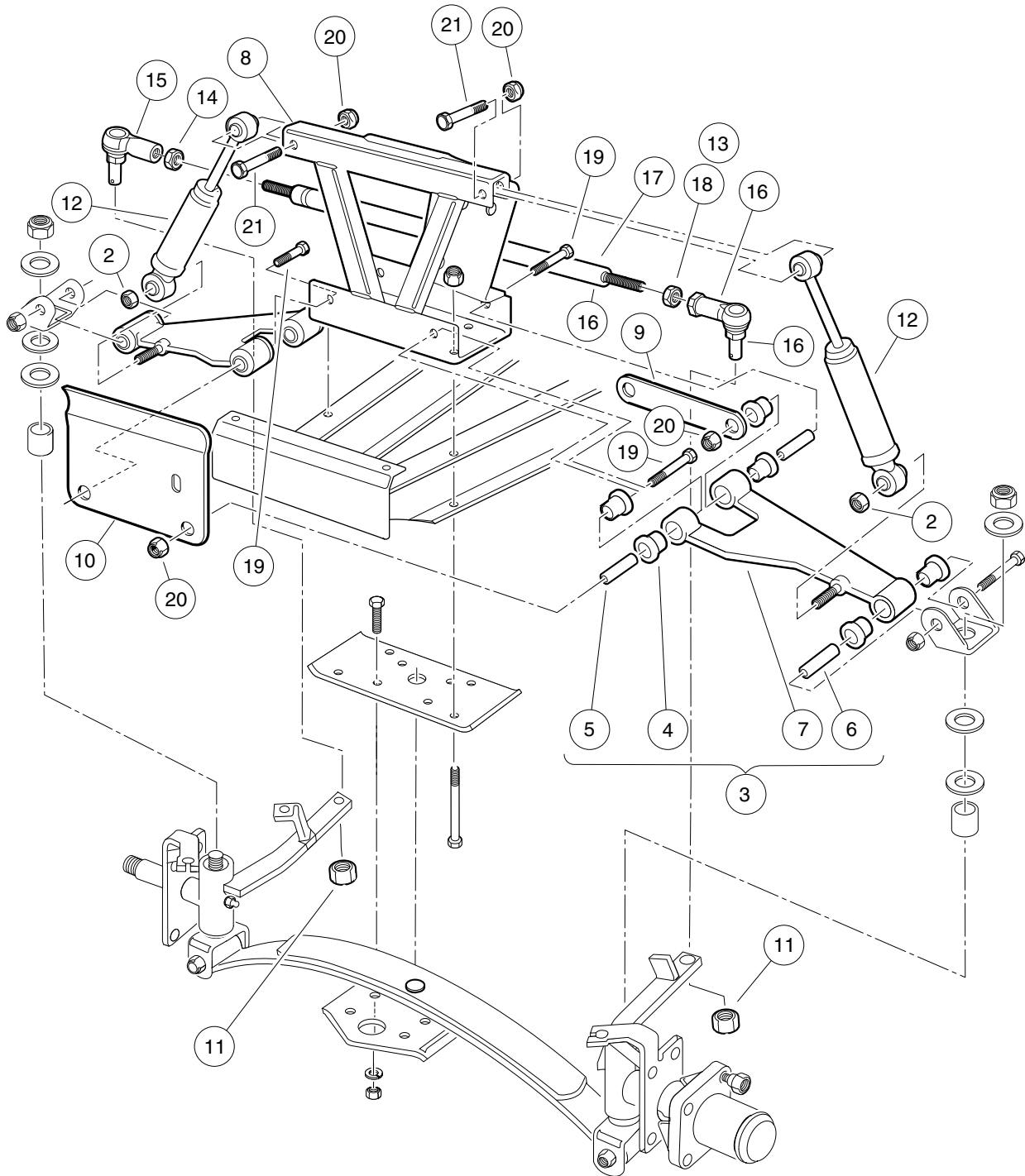
000315-001

FRONT SUSPENSION, LOWER – CARRYALL 2 PLUS AND TURF/ CARRYALL 2 WITH FOUR-WHEEL BRAKES

ITEM	PART NO.	DESCRIPTION	QTY
		1 2 3 4	
1	1010124	Plate, Spring Mount	3
2	1010150	Bearing, Thrust	2
3	1010177	Bolt, 3/8-16 X 2.00 Hex Head	4
4	1014276	Plate, Front Spring Retainer	1
5	1016384	Clevis, Delta Upper	2
6	1016386	King Pin Assembly	2
7	1016387	Screw, 3/8-16 X 2.75 Hx Hd Cap	2
8	1016389	Washer, 1.125 Od Wave	2
9	101870501	Screw, 3/8-16 X 4.75 Hx Hd Cap	4
10	102564002	Washer-1/2 Conical, Yellow	2
11	102684501	Washer, M12 Hard Regular	2
12	102766301	Nut, 1/2-20, Center Lock	2
13	103507001	Eccentric Bolt Common	1
14	N/A	Spring Asm, Front, 1 Leaf (includes items 15 through 17)	1
15	1012303	Bushing, Steel	2
16	1015583	Bushing, Urethane	4
17	N/A	Spring, Front, 1 Leaf	1
18	357	Lockwasher, 3/8 Split	4
19	706	Nut, Hex 3/8-16	5
20	8754	Locknut, 3/8-16 Hex	8
21	8755	Screw, 3/8-16 X 3.375 Hex Cap	2

5
G
E

5
G
E



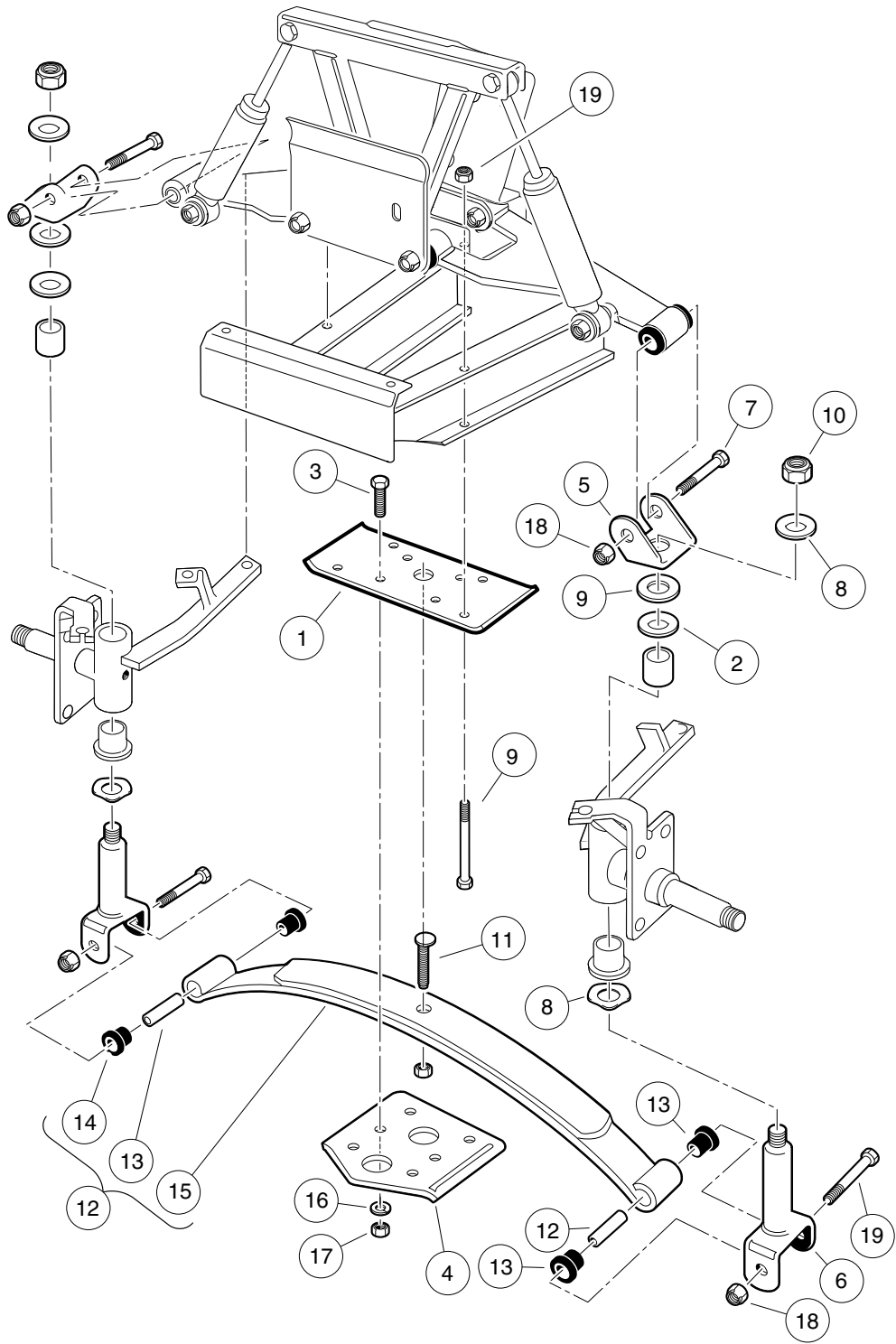
000314-004

FRONT SUSPENSION, UPPER – TURF/ CARRYALL 6 VEHICLES

ITEM	PART NO.	DESCRIPTION	QTY
		1 2 3 4	
1	N/A	Sub-Assembly, Front Suspension (includes items 2 through 20)	1
2	1010138	Locknut, 3/8-16 Dimpled	2
3	1016353	Sub-Assembly, Delta A-Plate (includes items 4 through 7)	2
4	1016346	Bushing, Urethane	6
5	1016349	Sleeve, Delta Inner	2
6	1016350	Sleeve, Delta Outer	1
7	1016351	Delta A-Plate	1
8	1016385	Delta Shock and Gear Support Assembly	1
9	1017266	A-Plate Strap	1
10	101955001	Brake Cable Guide Bracket	1
11	102289201	Nut - Hex Locking, M12 X 1.25	3
12	103351001	Shock Absorber, Front, Common	2
13	N/A	Asm, Tie Rod (includes items 14 through 18)	1
14	1013042	Nut, 12mm Hex	1
15	102022601	End, Tie Rod M12 X 1.25 Rh	1
16	102022602	End, Tie Rod, M12 X 1.25, Lh	1
17	103354701	Rod, Tie, Male Thd	1
18	103653501	Nut, Jam, M12-1.25, Lh	1
19	2402	Screw, 3/8-16 X 2.25 Hx Hd Cap	4
20	8754	Locknut, 3/8-16 Hex	13

5
G
E

5
G
E



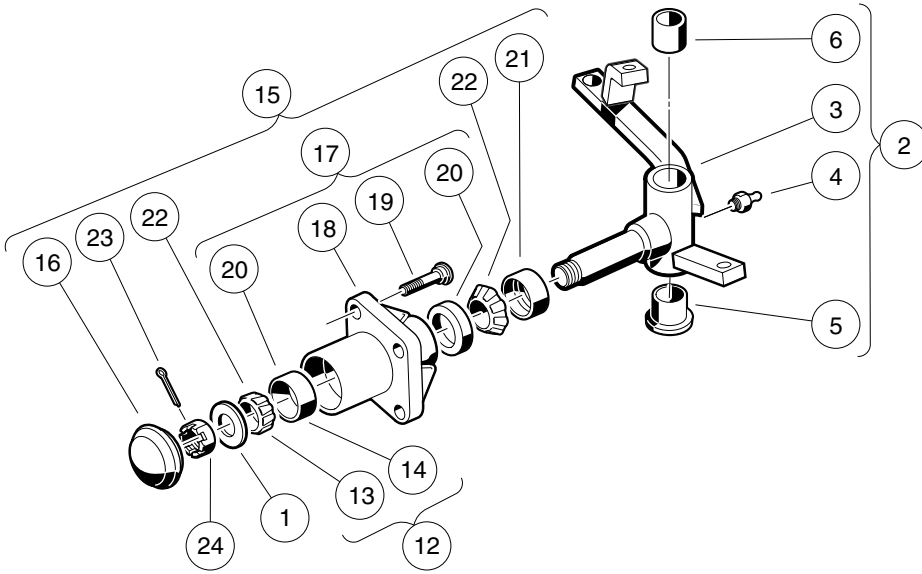
000313-001

FRONT SUSPENSION, LOWER – TURF/ CARRYALL 6 VEHICLES

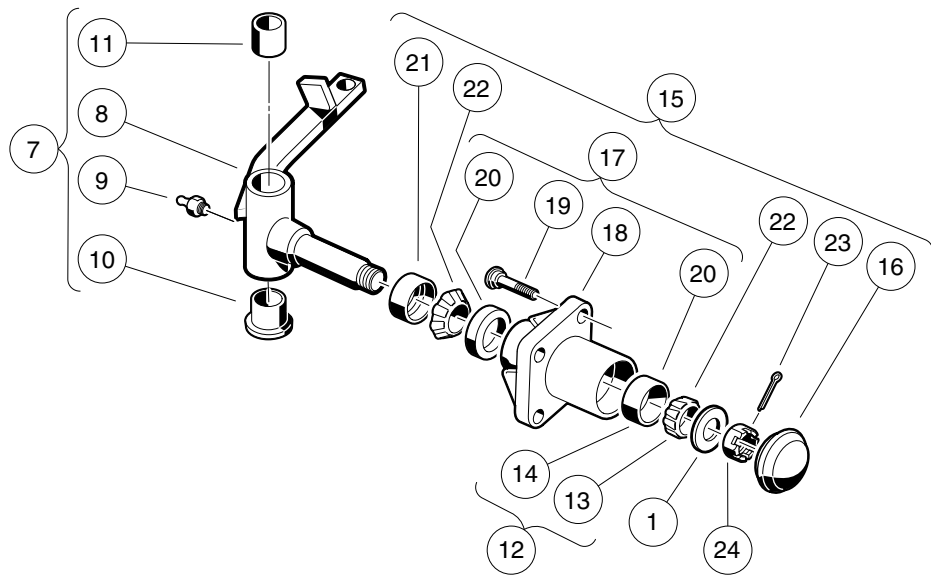
ITEM	PART NO.	DESCRIPTION	QTY
		1 2 3 4	
1	1010124	Plate, Spring Mount	1
2	1010150	Bearing, Thrust	2
3	1014276	Plate, Front Spring Retainer	1
4	1016384	Clevis, Delta Upper	2
5	1016386	King Pin Assembly	2
6	1016387	Screw, 3/8-16 X 2.75 Hx Hd Cap	2
7	1016389	Washer, 1.125 Od Wave	2
8	102564002	Washer-1/2 Conical, Yellow	2
9	102684501	Washer, M12 Hard Regular	2
10	102766301	Nut, 1/2-20, Center Lock	2
11	103628801	Spring Asm, Front, 2 Leaf (includes items 12 through 14)	1
12	1012303	Bushing, Steel	2
13	1015583	Bushing, Urethane	4
14	103502701	Spring, Front, 2 Leaf	1
15	2402	Screw, 3/8-16 X 2.25 Hx Hd Cap	4
16	357	Lockwasher, 3/8 Split	4
17	706	Nut, Hex 3/8-16	4
18	7270	Bolt, 3/8-16 X 4.50 Hex Head	4
19	8754	Locknut, 3/8-16 Hex	8
20	8755	Screw, 3/8-16 X 3.375 Hex Cap	2

5
G
E

PASSENGER SIDE



DRIVER SIDE



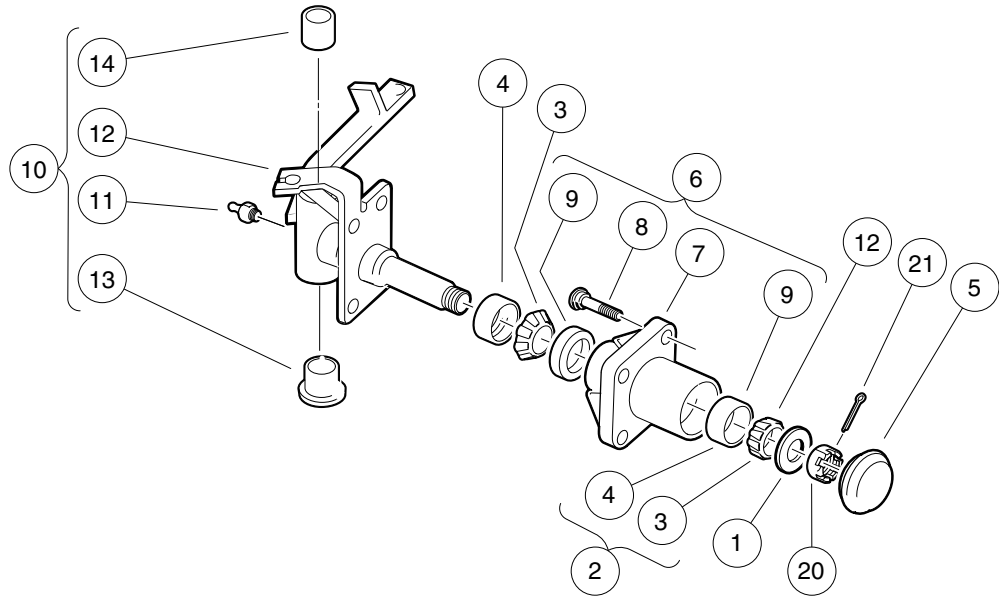
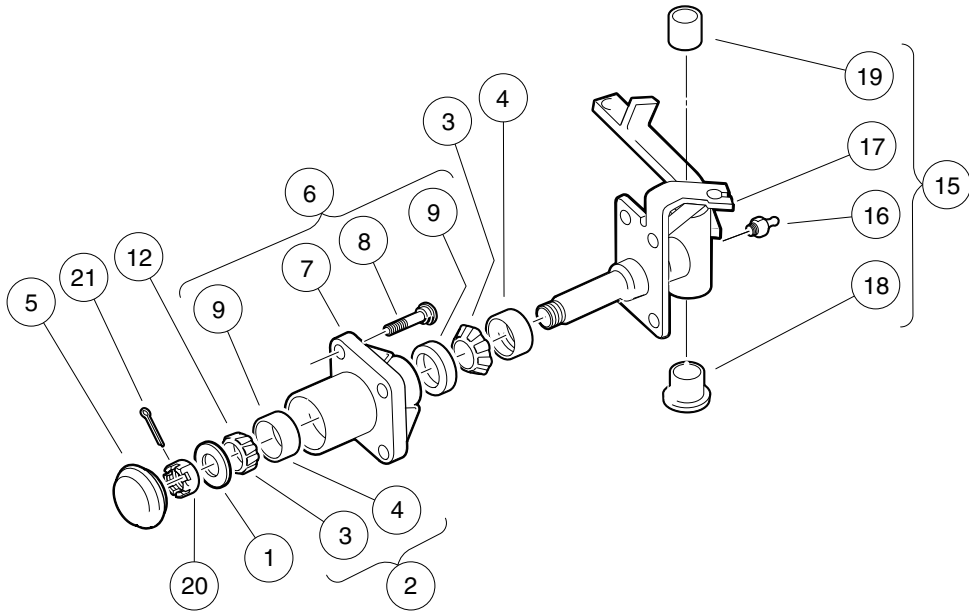
000310-001

FRONT SPINDLES AND HUBS – VEHICLES WITH TWO-WHEEL BRAKES

ITEM	PART NO.	DESCRIPTION	QTY
		1 2 3 4	
1	1010005	Washer, 3/4 Flat	2
2	1010347	Spindle Assembly, Right	1
3	1010348	Spindle Assembly, Left (includes items 4 through 7)	1
4	1010342	Spindle Sub-Assembly, Left-Hand	1
5	1015597	Fitting, 1/4-28 Thread-Forming Grease	1
6	7048	Bushing, Flanged Bronze	1
7	8067	Bushing, Bronze Spindle	1
8	1011393	Hub Bearing Package (includes items 9 and 10)	4
9	7274	Bearing, Front Hub Wheel	1
10	7308	Race, Front Hub Bearing	1
11	1011892	Hub Assembly (includes items 12 through 19)	2
12	1011887	Dust Cover	1
13	1011889	Hub (includes items 14 through 16)	1
14	1011153	Front Hub	1
15	103477901	Lug Stud, 1/2-20 Unf, 4037	4
16	7308	Race, Front Hub Bearing	2
17	1013135	Seal, Double Lip	1
18	7274	Bearing, Front Hub Wheel	2
19	7910	Pin, 5/32 X 1.00 Cotter	1
20	7840	Nut, 3/4-16 Hex Slotted	2

5
G
E

5
G
E

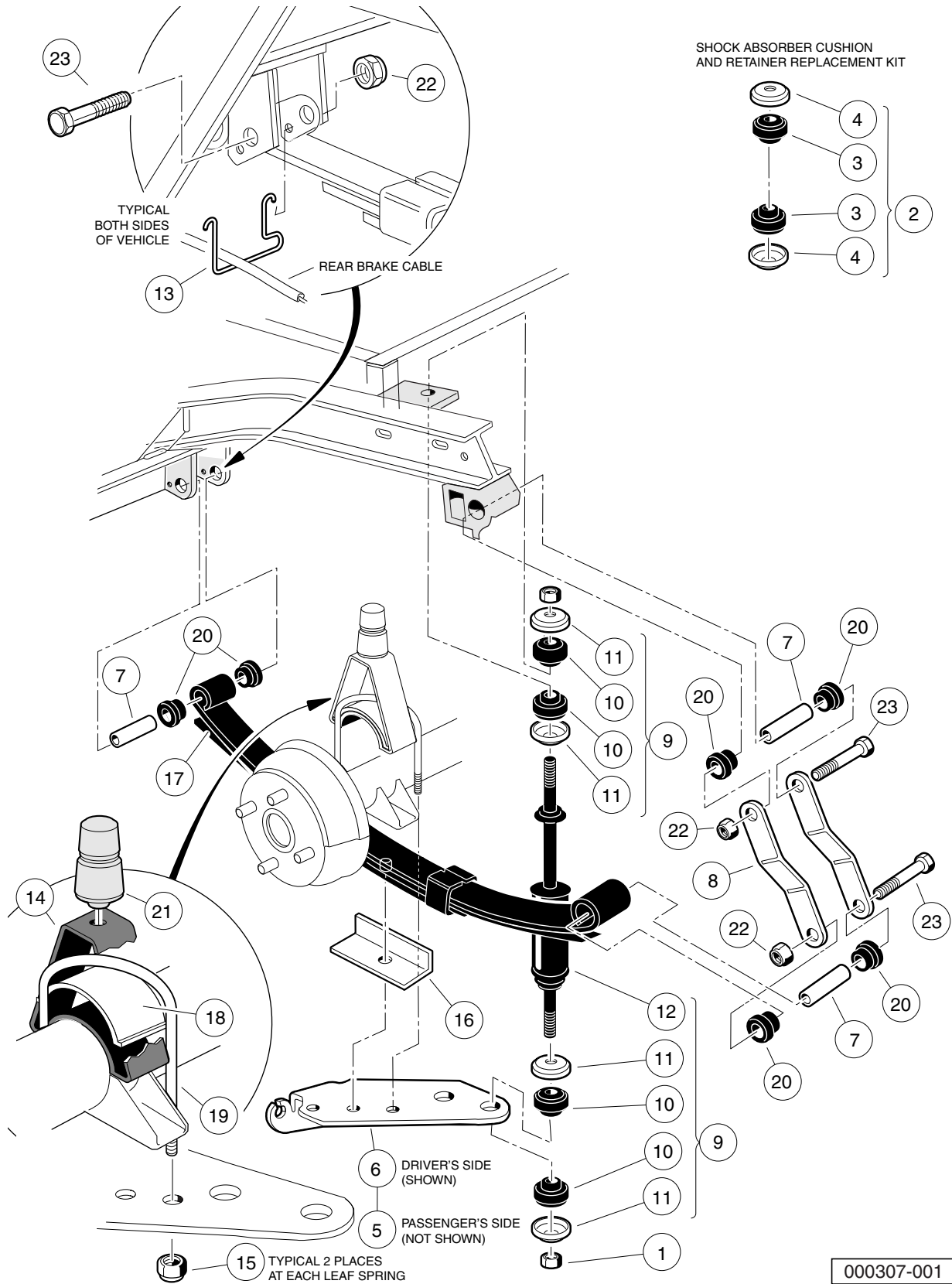


000310-002

FRONT SPINDLES AND HUBS – VEHICLES WITH FOUR-WHEEL BRAKES

ITEM	PART NO.	DESCRIPTION	QTY
		1 2 3 4	
1	1010005	Washer, 3/4 Flat	2
2	1011393	Hub Bearing Package (includes items 3 and 4)	4
3	7274	Bearing, Front Hub Wheel	1
4	7308	Race, Front Hub Bearing	1
5	1011887	Dust Cover	2
6	1011889	Hub (includes items 7 through 9)	2
7	1011153	Front Hub	1
8	103477901	Lug Stud, 1/2-20 Unf, 4037	4
9	7308	Race, Front Hub Bearing	2
10	103717302	Asm, Spindle, Lh, 4wb, Sp (includes items 11 through 14)	1
11	1015597	Fitting, 1/4-28 Thread-Forming Grease	1
12	N/A	Subasm, Spindle, Lh, 4wb	1
13	7048	Bushing, Flanged Bronze	1
14	8067	Bushing, Bronze Spindle	1
15	103717402	Asm, Spindle, Rh, 4wb, Sp (includes items 16 through 19)	1
16	1015597	Fitting, 1/4-28 Thread-Forming Grease	1
17	N/A	Subasm, Spindle, Rh, 4wb	1
18	7048	Bushing, Flanged Bronze	1
19	8067	Bushing, Bronze Spindle	1
20	7840	Nut, 3/4-16 Hex Slotted	2
21	7910	Pin, 5/32 X 1.00 Cotter	2

5
G
E

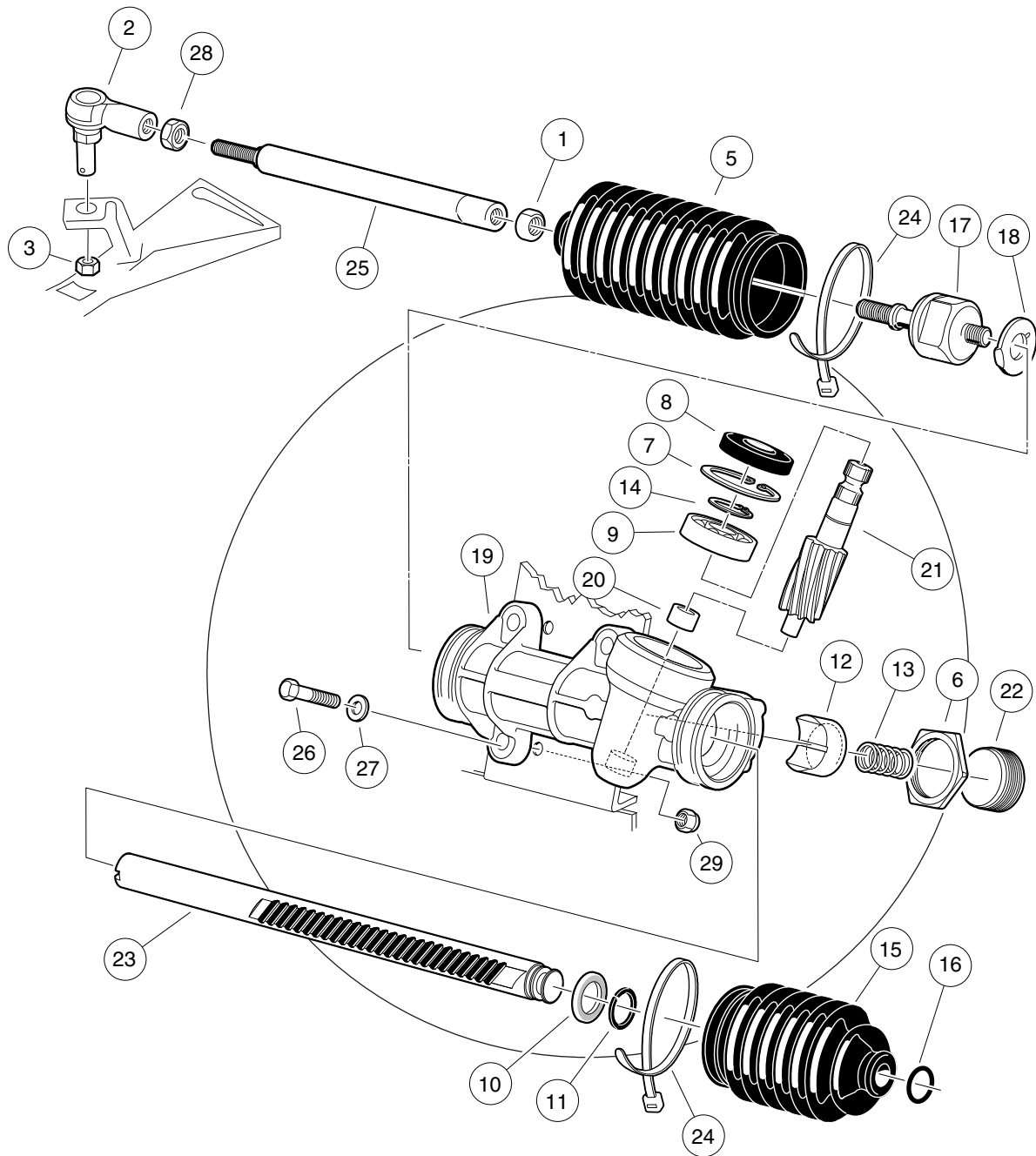


REAR SUSPENSION COMPONENTS – TURF/ CARRYALL 1 ELECTRIC VEHICLES

ITEM	PART NO.	DESCRIPTION	QTY
		1 2 3 4	
1	1010145	Nut, 3/8-24 Hex	4
2	1011415	Kit, Shock Absorber Cushion (includes items 3 and 4)	4
3	1010142	Cushion, Shock Absorber	2
4	1010144	Retainer, Shock Absorber Cushion	2
5	1012181	Bracket, Shock Mounting, Right (Passenger)	1
6	1012182	Bracket, Shock Mounting, Left (Driver)	1
7	1012303	Bushing, Steel	6
8	1012304	Shackle, Rear Spring	4
9	1013164	Shock Absorber Kit (includes items 10 through 12)	1
10	1010142	Cushion, Shock Absorber	8
11	1010144	Retainer, Shock Absorber Cushion	8
12	102588501	Shock Absorber Rear Prv Spd	2
13	1013207	Hanger, Brake Cable	2
14	101454902	Bumper Mount, Angled	2
15	1014555	Locknut, 7/16-14 Nylon Hex	4
16	1014573	Spring Retainer	2
17	1014675	Rear Leaf Spring	2
18	1014901	Spacer, Overload Bumper	2
19	1014902	U-Bolt	2
20	1015583	Bushing, Urethane	12
21	1017235	Bumper, Jounce	2
22	8754	Locknut, 3/8-16 Hex	6
23	8755	Screw, 3/8-16 X 3.375 Hex Cap	6
<p>Note: Only the driver-side rear suspension is shown. Parts for the passenger-side rear suspension are identical except for the leaf spring/shock mounting plate.</p>			

5
G
E

5
G
E



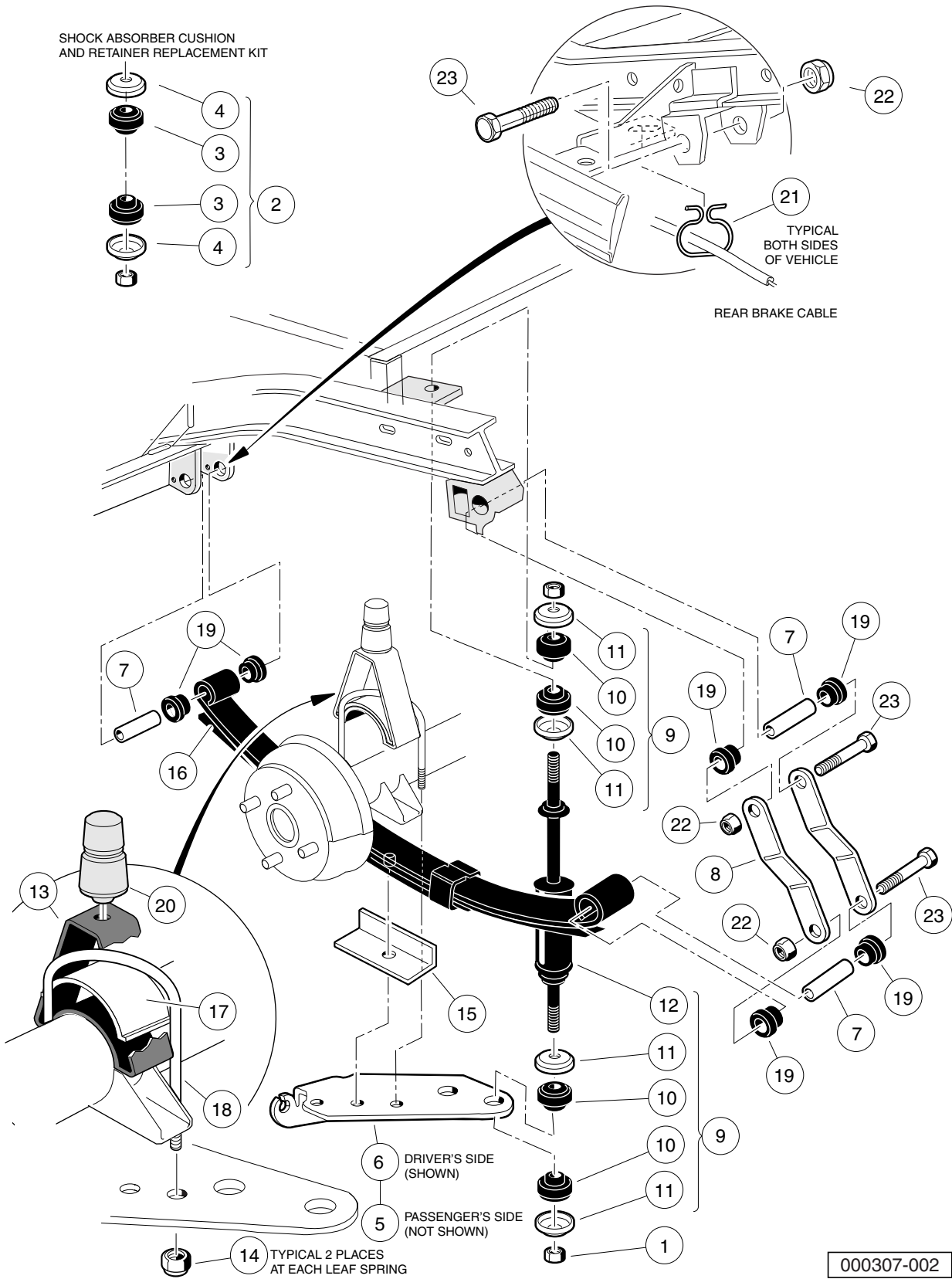
000960-001

STEERING GEAR ASSEMBLY

ITEM	PART NO.	DESCRIPTION	QTY
		1 2 3 4	
1	1013042	Nut, 12mm Hex	1
2	102022602	End, Tie Rod, M12 X 1.25, Lh	1
3	102289201	Nut - Hex Locking, M12 X 1.25	3
4	103601501	Asm, Steering Rack And Pinion (includes items 5 through 24)	1
5	1013035	Bellows, Long	1
6	1013044	Rack Screw Locknut	1
7	1013051	Snap Ring	1
8	1013052	Seal, Steering Pinion Dust	1
9	101879401	Bearing, Ball	1
10	101879501	Stop Washer	1
11	101879601	Stop Ring, C-Type	1
12	101879701	Support Yoke	1
13	101879801	Rack Guide Pressure Spring	1
14	101879901	Ring, Stop, C-Type	1
15	101880001	Bellows, Short	1
16	101880101	Dust Seal Retaining Ring	1
17	101880201	Inner Ball Joint Asm	1
18	101880301	Washer, Tab	1
19	N/A	Box, Steering Gear	1
20	N/A	Bearing, Lower Pinion	1
21	N/A	Pinion, Steering	1
22	N/A	Screw, Rack Guide	1
23	N/A	Rack, Steering	1
24	8990	Tie Wrap, 8" Nylon	2
25	103653401	Link, Drag, Male Thd	1
26	1624	Screw, 3/8-16 X 1.50 Hex-Head Cap	3
27	334	Washer, 3/8 Type A Flat	3
28	7555	Nut, 1/2-20 Hex, Left-Hand Thread	1
29	8754	Locknut, 3/8-16 Hex	3

5
G
E

5
G
E

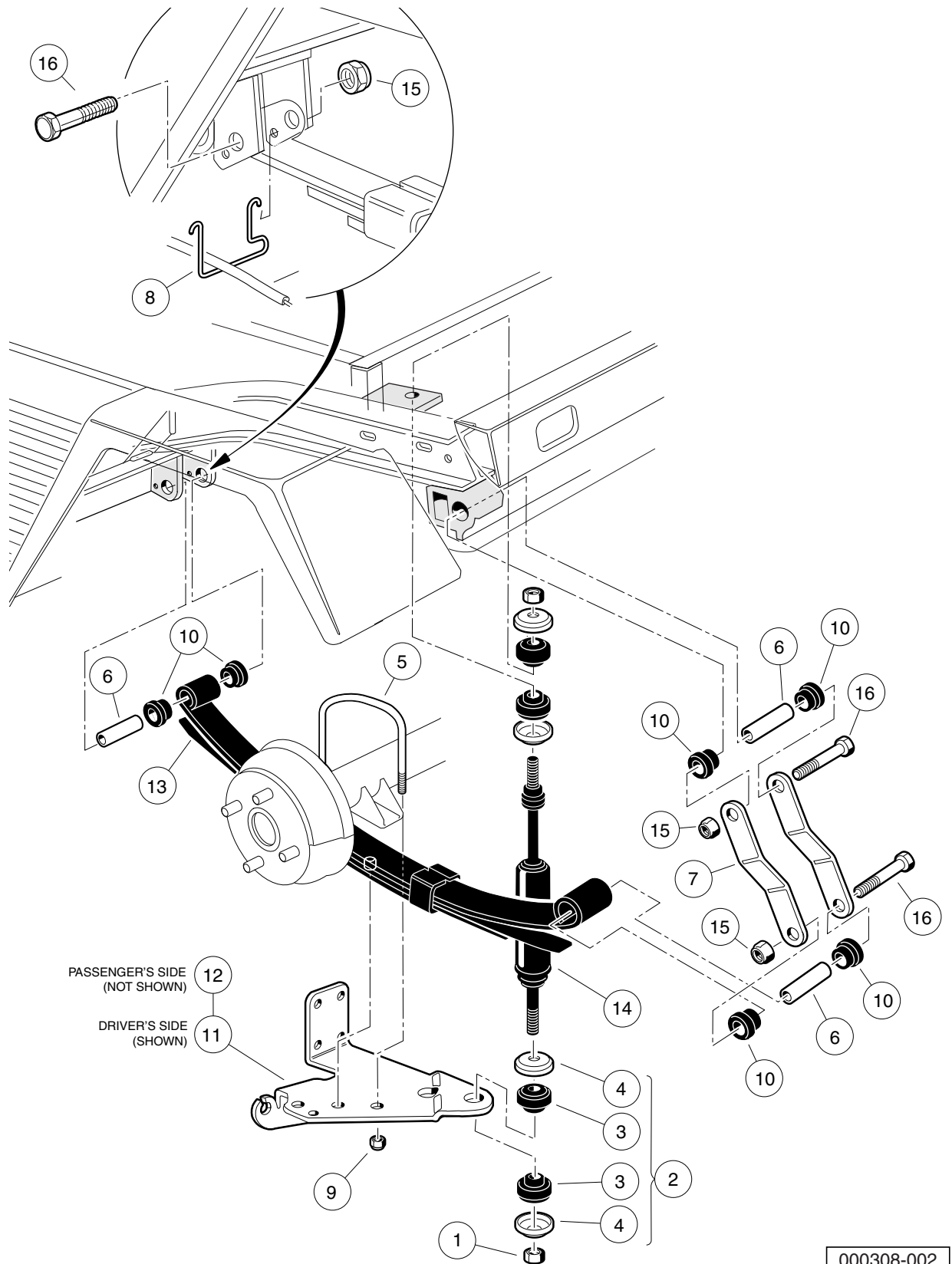


REAR SUSPENSION COMPONENTS – TURF/ CARRYALL 1 GASOLINE VEHICLES

ITEM	PART NO.	DESCRIPTION	QTY
		1 2 3 4	
1	1010145	Nut, 3/8-24 Hex	4
2	1011415	Kit, Shock Absorber Cushion (includes items 3 and 4)	4
3	1010142	Cushion, Shock Absorber	2
4	1010144	Retainer, Shock Absorber Cushion	2
5	1012181	Bracket, Shock Mounting, Right (Passenger)	1
6	1012182	Bracket, Shock Mounting, Left (Driver)	1
7	1012303	Bushing, Steel	6
8	1012304	Shackle, Rear Spring	4
9	1013164	Shock Absorber Kit (includes items 10 through 12)	1
10	1010142	Cushion, Shock Absorber	8
11	1010144	Retainer, Shock Absorber Cushion	8
12	102588501	Shock Absorber Rear Prv Spd	2
13	101454602	Bumper Mount	2
14	1014555	Locknut, 7/16-14 Nylon Hex	4
15	1014573	Spring Retainer	2
16	1014675	Rear Leaf Spring	2
17	1014901	Spacer, Overload Bumper	2
18	1014902	U-Bolt	2
19	1015583	Bushing, Urethane	12
20	1017235	Bumper, Jounce	2
21	101900801	Hanger, Brake Cable	2
22	8754	Locknut, 3/8-16 Hex	6
23	8755	Screw, 3/8-16 X 3.375 Hex Cap	6
<p>Note: Only the driver-side rear suspension is shown. Parts for the passenger-side rear suspension are identical except for the leaf spring/shock mounting plate.</p>			

5
G
E

5
G
E



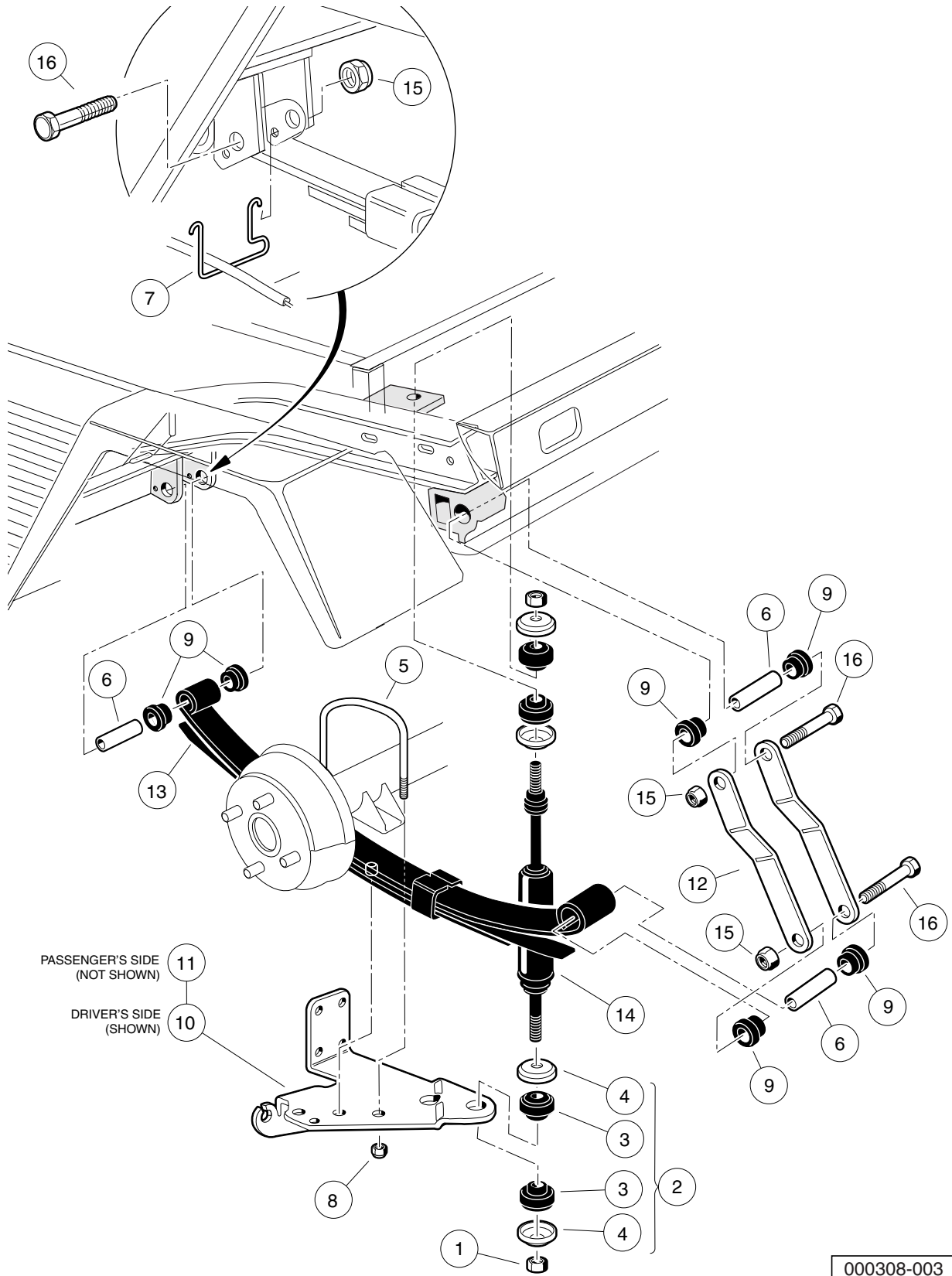
000308-002

REAR SUSPENSION – TURF/CARRYALL 2, CARRYALL 2 PLUS, AND 6 GASOLINE WITH STABILIZER BAR

ITEM	PART NO.	DESCRIPTION	QTY
		1 2 3 4	
1	1010145	Nut, 3/8-24 Hex	4
2	1011415	Kit, Shock Absorber Cushion (includes items 3 and 4)	4
3	1010142	Cushion, Shock Absorber	2
4	1010144	Retainer, Shock Absorber Cushion	2
5	1012180	U-Bolt	2
6	1012303	Bushing, Steel	6
7	1012304	Shackle, Rear Spring	4
8	1013207	Hanger, Brake Cable	2
9	1014555	Locknut, 7/16-14 Nylon Hex	4
10	1015583	Bushing, Urethane	12
11	101926501	Bracket, Left-Hand	1
12	101929401	Bracket, Right	1
13	102871801	Spring, Multi Leaf	2
14	103350901	Shock Absorber, Rear, Utility	2
15	8754	Locknut, 3/8-16 Hex	6
16	8755	Screw, 3/8-16 X 3.375 Hex Cap	6
<p>Note: Only the driver-side rear suspension is shown. Parts for the passenger-side rear suspension are identical except for the leaf spring/shock mounting plate.</p>			

5
G
E

5
G
E



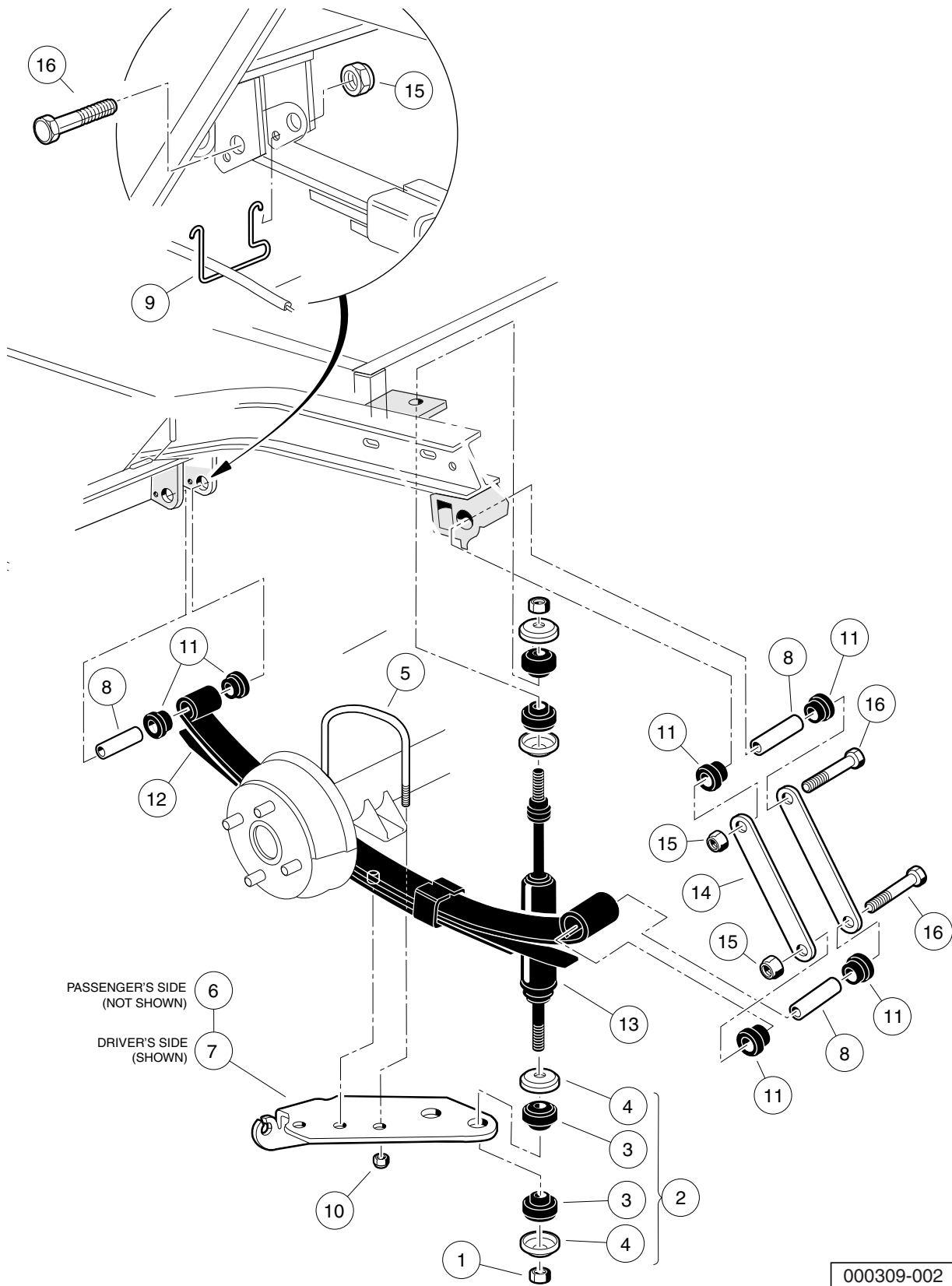
000308-003

REAR SUSPENSION COMPONENTS – TURF/ CARRYALL 252 AND 2 XRT

ITEM	PART NO.	DESCRIPTION	QTY
		1 2 3 4	
1	1010145	Nut, 3/8-24 Hex	4
2	1011415	Kit, Shock Absorber Cushion (includes items 3 and 4)	4
3	1010142	Cushion, Shock Absorber	2
4	1010144	Retainer, Shock Absorber Cushion	2
5	1012180	U-Bolt	2
6	1012303	Bushing, Steel	6
7	1013207	Hanger, Brake Cable	2
8	1014555	Locknut, 7/16-14 Nylon Hex	4
9	1015583	Bushing, Urethane	12
10	101926501	Bracket, Left-Hand	1
11	101929401	Bracket, Right	1
12	102004201	Rear Spring Shackle	4
13	102871801	Spring, Multi Leaf	2
14	103351101	Shock, Absorber, Utility	2
15	8754	Locknut, 3/8-16 Hex	6
16	8755	Screw, 3/8-16 X 3.375 Hex Cap	6
<p>Note: Only the driver-side rear suspension is shown. Parts for the passenger-side rear suspension are identical except for the leaf spring/shock mounting plate.</p>			

5
G
E

5
G
E



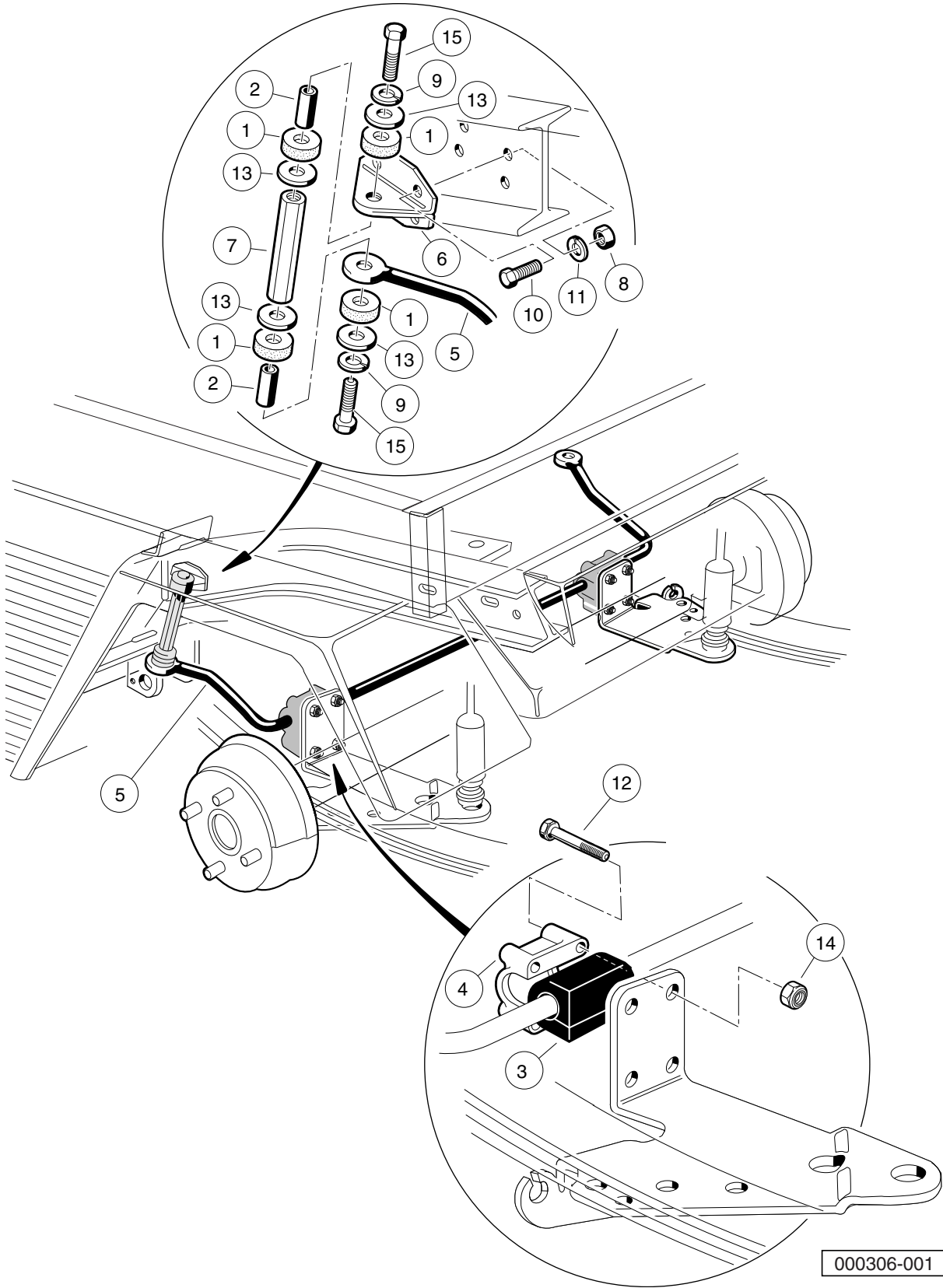
000309-002

REAR SUSPENSION COMPONENTS – TURF/ CARRYALL 2 AND 6 POWERDRIVE VEHICLES

ITEM	PART NO.	DESCRIPTION	QTY
		1 2 3 4	
1	1010145	Nut, 3/8-24 Hex	4
2	1011415	Kit, Shock Absorber Cushion (includes items 3 and 4)	4
3	1010142	Cushion, Shock Absorber	2
4	1010144	Retainer, Shock Absorber Cushion	2
5	1012180	U-Bolt	2
6	1012181	Bracket, Shock Mounting, Right (Passenger)	1
7	1012182	Bracket, Shock Mounting, Left (Driver)	1
8	1012303	Bushing, Steel	6
9	1013207	Hanger, Brake Cable	2
10	1014555	Locknut, 7/16-14 Nylon Hex	4
11	1015583	Bushing, Urethane	12
12	102871801	Spring, Multi Leaf	2
13	103350901	Shock Absorber, Rear, Utility	2
14	7569	Shackle, Rear Spring	4
15	8754	Locknut, 3/8-16 Hex	6
16	8755	Screw, 3/8-16 X 3.375 Hex Cap	6
<p>Note: Only the driver-side rear suspension is shown. Parts for the passenger-side rear suspension are identical except for the leaf spring/shock mounting plate.</p>			

5
G
E

5
G
E



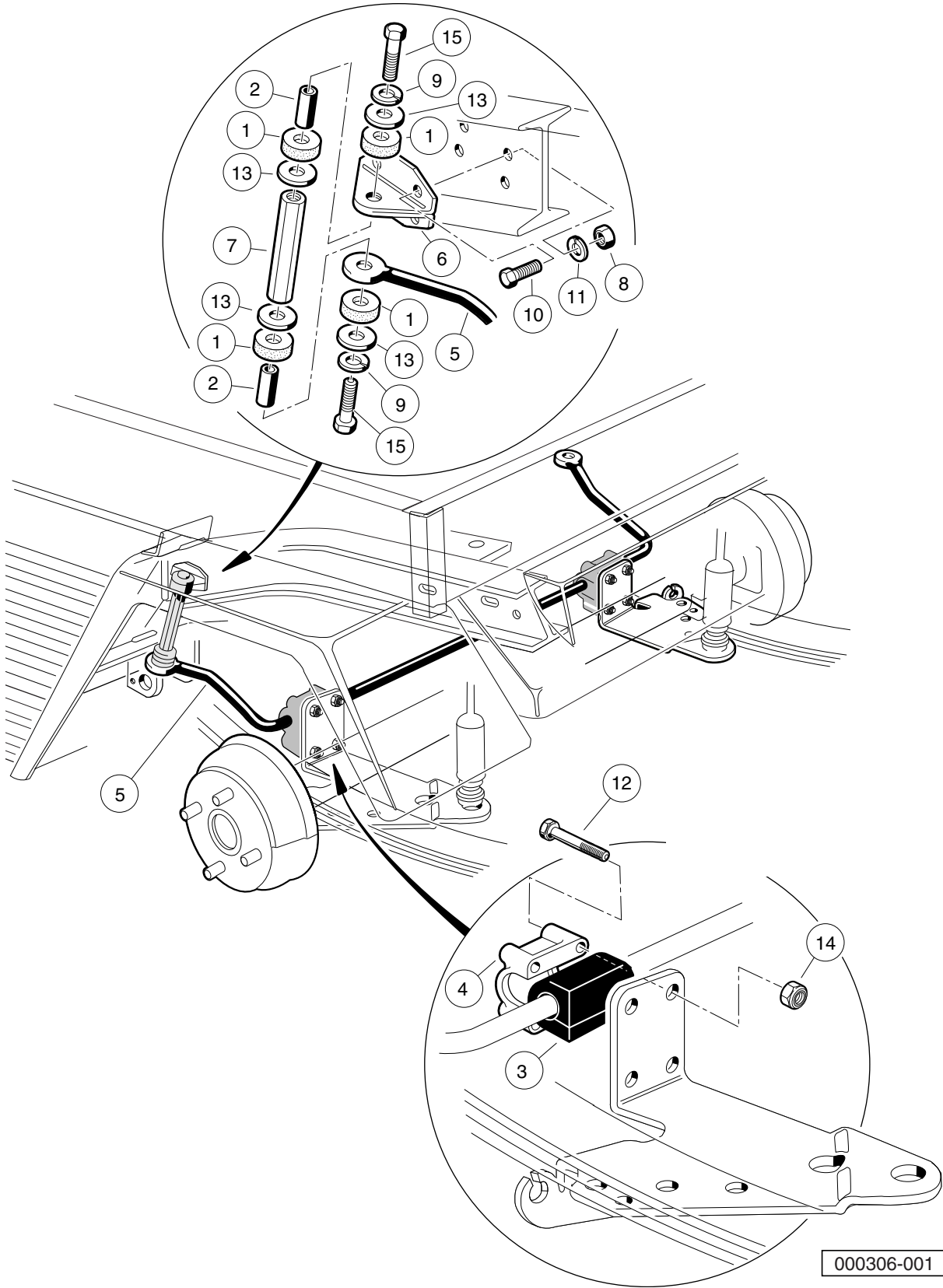
000306-001

STABILIZER BAR – TURF/CARRYALL 2, 6, AND CARRYALL 2 PLUS GASOLINE VEHICLES

ITEM	PART NO.	DESCRIPTION	QTY
		1 2 3 4	
1	1015453	Compression Mount	8
2	1015457	Spacer, 0.720"	4
3	1015613	Bushing, Stabilizer Bar	2
4	1015614	Support, Bushing	2
5	1015760	Stabilizer Bar	1
6	1016813	Mounting Bracket, Stabilizer Bar	2
7	1016814	Link, Stabilizer Bar	2
8	1242	Nut, 5/16-18 Hex	8
9	357	Lockwasher, 3/8 Split	4
10	7173	Screw, 5/16-18 X 0.75 Hex-Head Cap	8
11	7174	Lockwasher, 5/16 Split	8
12	7311	Screw, 1/4-20 X 2.00 Hex-Head Cap	8
13	808	Washer, 3/8 Type B Flat	8
14	8233	Locknut, 1/4-20 Nylon Insert	8
15	8861	Bolt, 3/8-16 X 1.75 Hex	4
<p>Note: Only the driver side of the stabilizer bar is shown. Parts for the passenger side of the stabilizer bar are identical.</p>			

5
G
E

5
G
E



000306-001

STABILIZER BAR – TURF/CARRYALL 252 AND 2 XRT

ITEM	PART NO.	DESCRIPTION	QTY
		1 2 3 4	
1	1015453	Compression Mount	8
2	1015457	Spacer, 0.720"	4
3	1015613	Bushing, Stabilizer Bar	2
4	1015614	Support, Bushing	2
5	1015760	Stabilizer Bar	1
6	1016813	Mounting Bracket, Stabilizer Bar	2
7	102004901	Link, Stabilizer Bar	2
8	1242	Nut, 5/16-18 Hex	8
9	357	Lockwasher, 3/8 Split	4
10	7173	Screw, 5/16-18 X 0.75 Hex-Head Cap	8
11	7174	Lockwasher, 5/16 Split	8
12	7311	Screw, 1/4-20 X 2.00 Hex-Head Cap	8
13	808	Washer, 3/8 Type B Flat	8
14	8233	Locknut, 1/4-20 Nylon Insert	8
15	8861	Bolt, 3/8-16 X 1.75 Hex	4
<p>Note: Only the driver side of the stabilizer bar is shown. Parts for the passenger side of the stabilizer bar are identical.</p>			

5
G
E

5

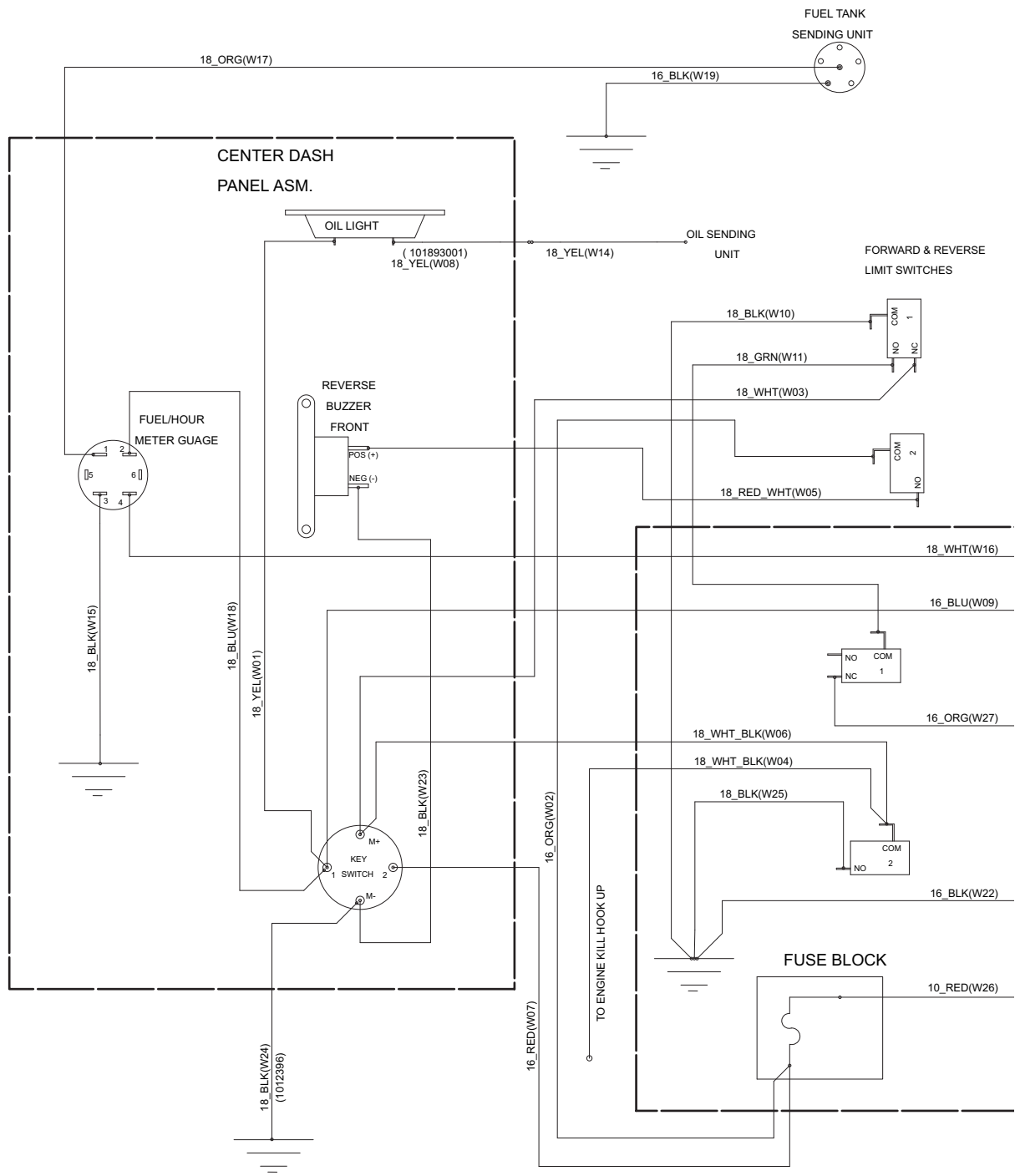
G

E

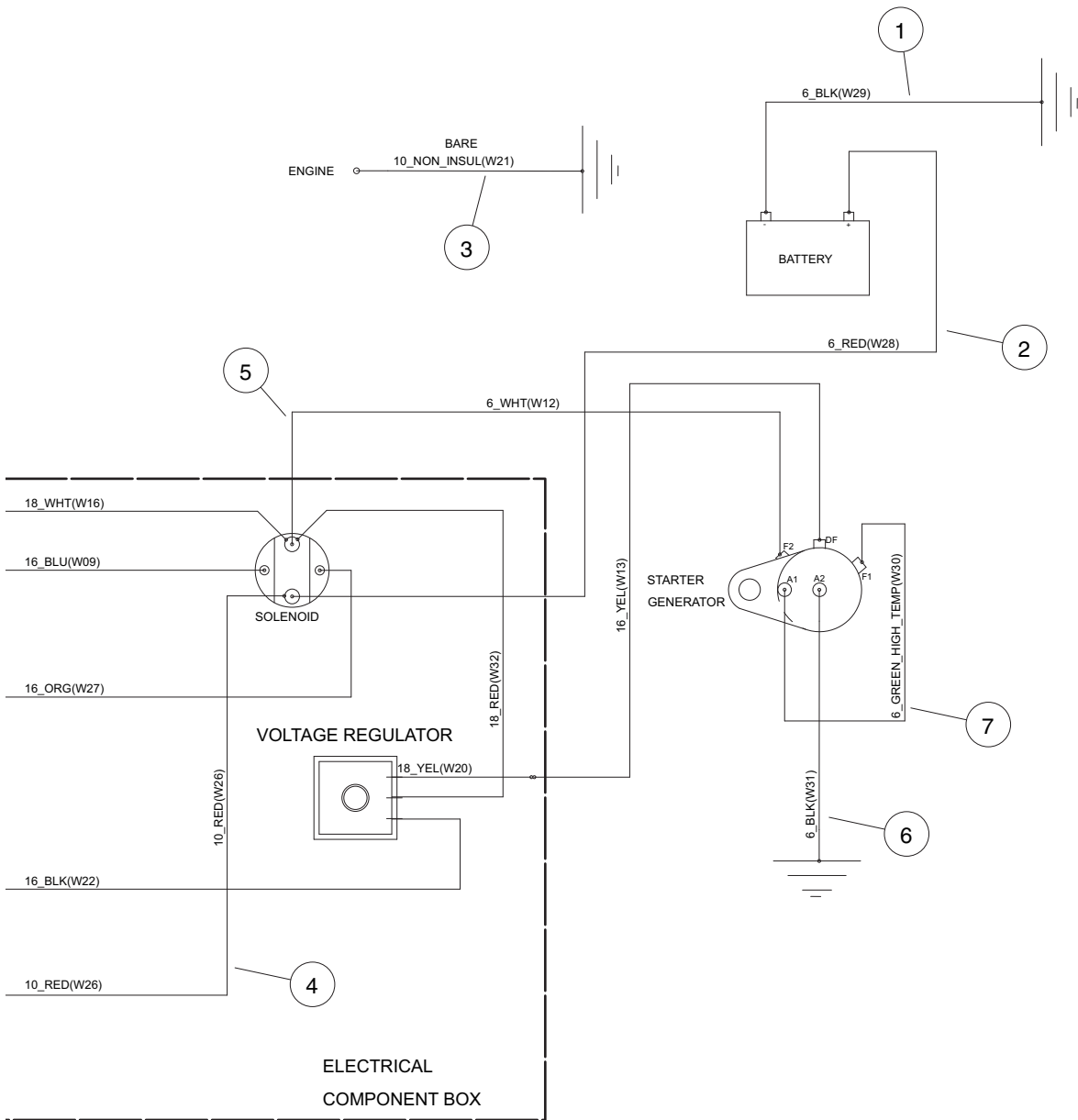
ELECTRICAL SYSTEM – GASOLINE VEHICLES

6

G



000323-001



000323-001

6

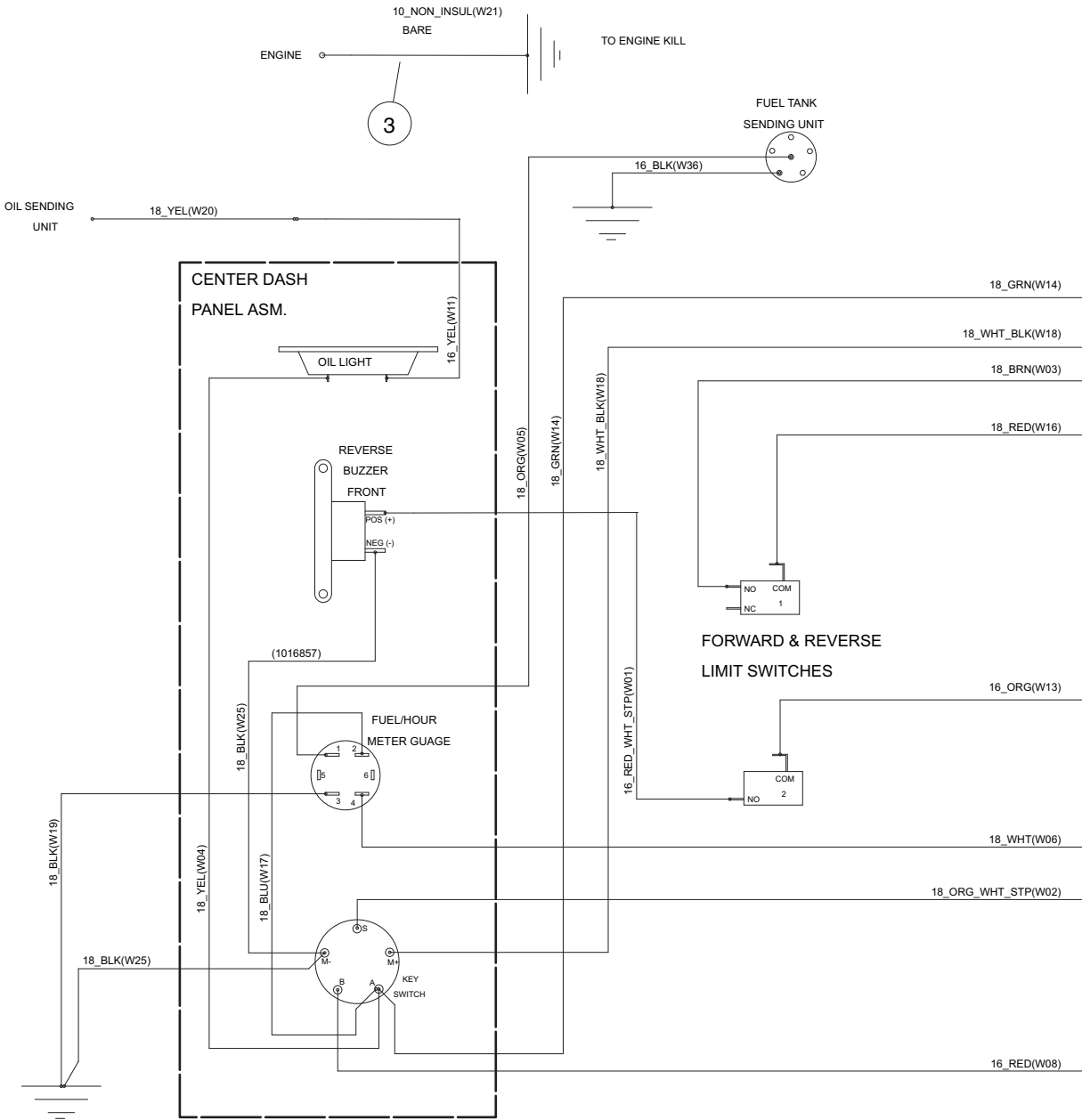
G

See previous two pages for illustration.

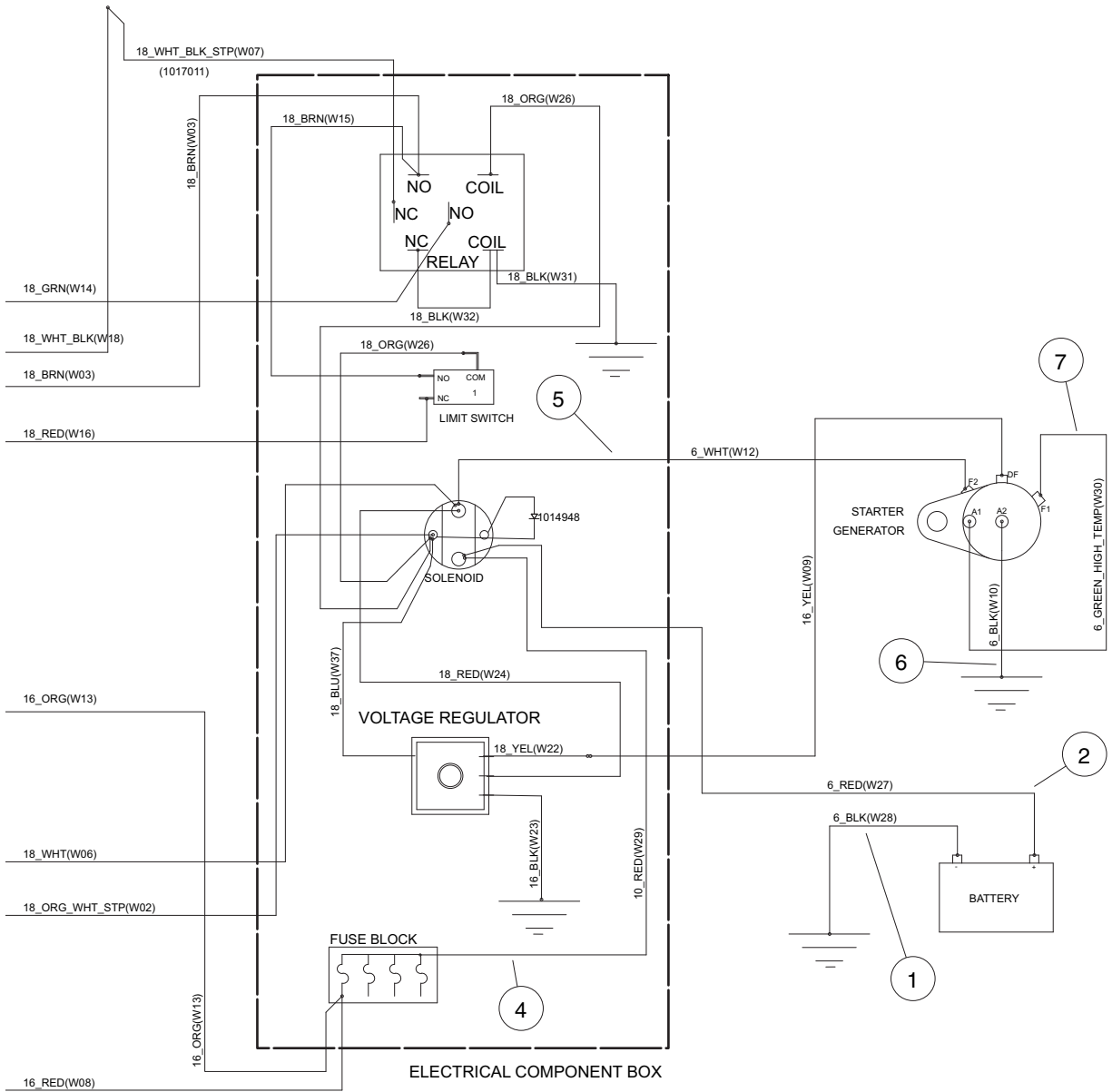
WIRING – GASOLINE TURF/CARRYALL 1

ITEM	PART NO.	DESCRIPTION	QTY
		1 2 3 4	
1	1012382	Wire Assy, #6 Black	1
2	1014119	Wire Assembly #6 Red	1
3	1015332	Wire Assembly, #10, Uninsulated	1
4	1015737	Wire Assy, #10 Red	1
5	1015769	Wire Assy, #6 White	1
6	1015920	Ground Wire Assembly	1
7	101837301	Wire Assy, #6 Green	1
8	103332402	Assy Wire Harness Gas V4 Kit	1

6
G



000325-001



000325-001

6

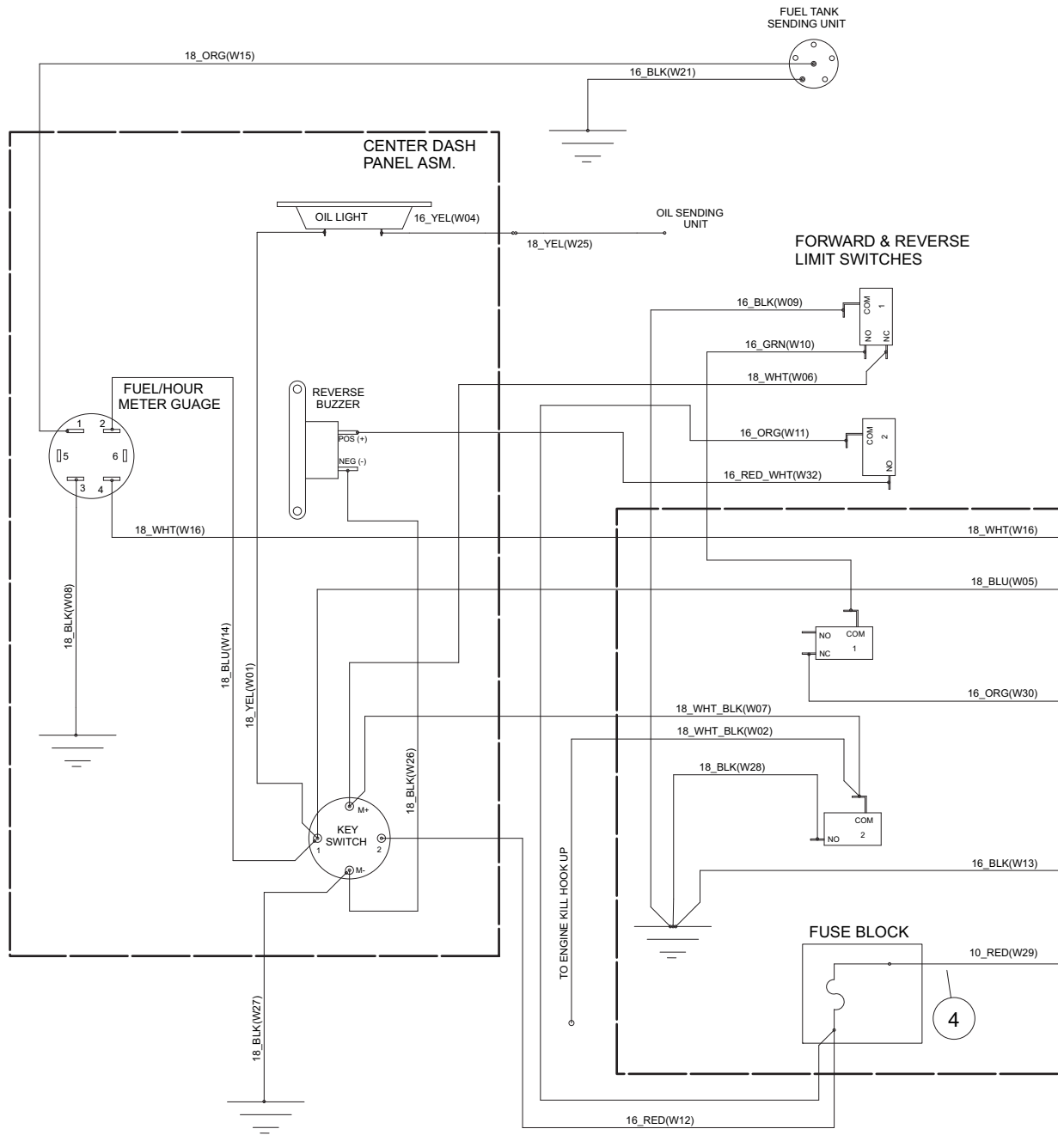
G

See previous two pages for illustration.

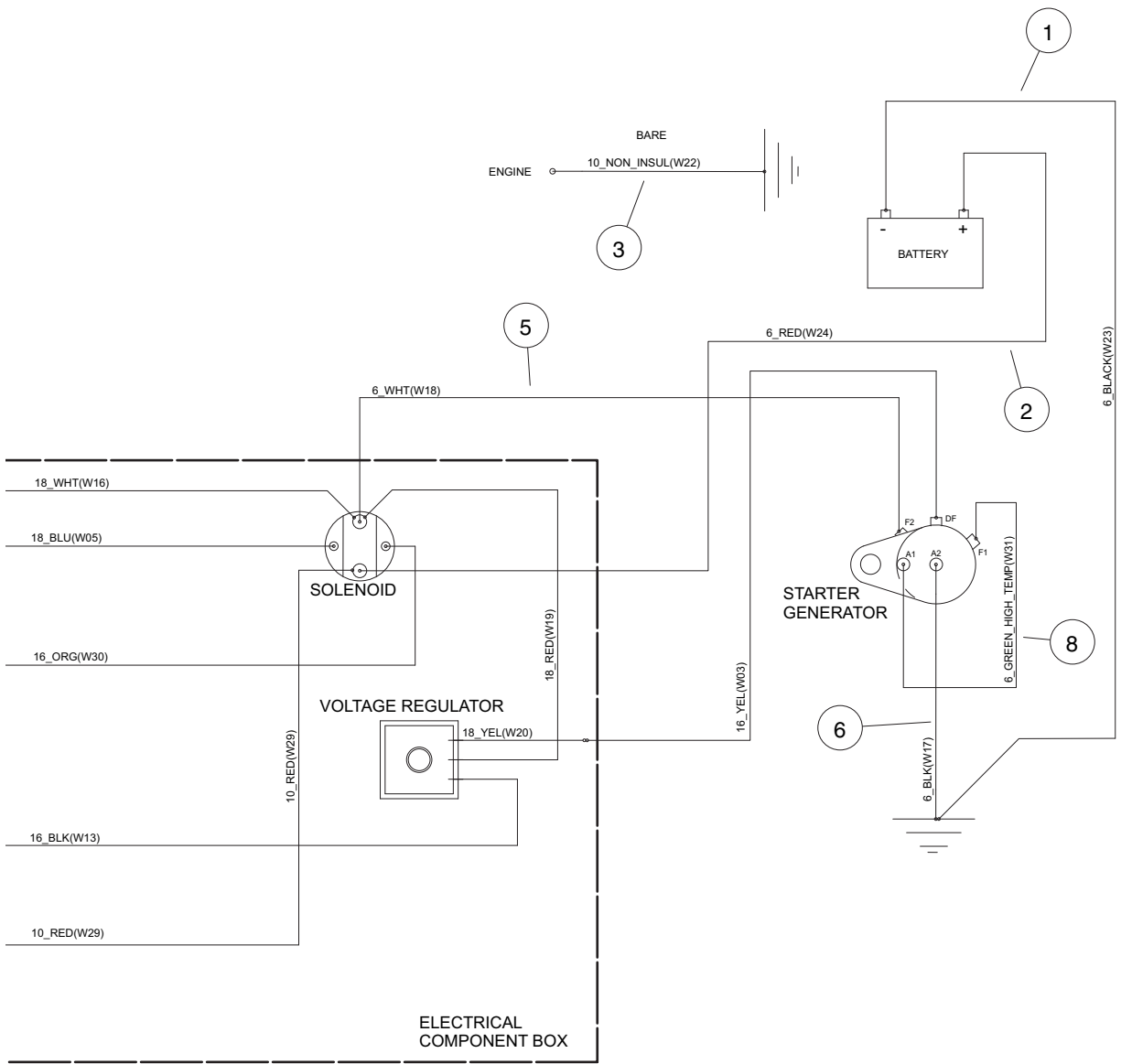
WIRING – GASOLINE CARRYALL 2 PLUS

ITEM	PART NO.	DESCRIPTION	QTY
		1 2 3 4	
1	1012382	Wire Assy, #6 Black	1
2	1014119	Wire Assembly #6 Red	1
3	1015332	Wire Assembly, #10, Uninsulated	1
4	1015737	Wire Assy, #10 Red	1
5	1015769	Wire Assy, #6 White	1
6	1016380	Wire Assembly #6 Black	1
7	101837301	Wire Assy, #6 Green	1
8	101990302	Wire Harness Assembly, Carryall 2 Plus	1

6
G



000324-001



000324-001

6

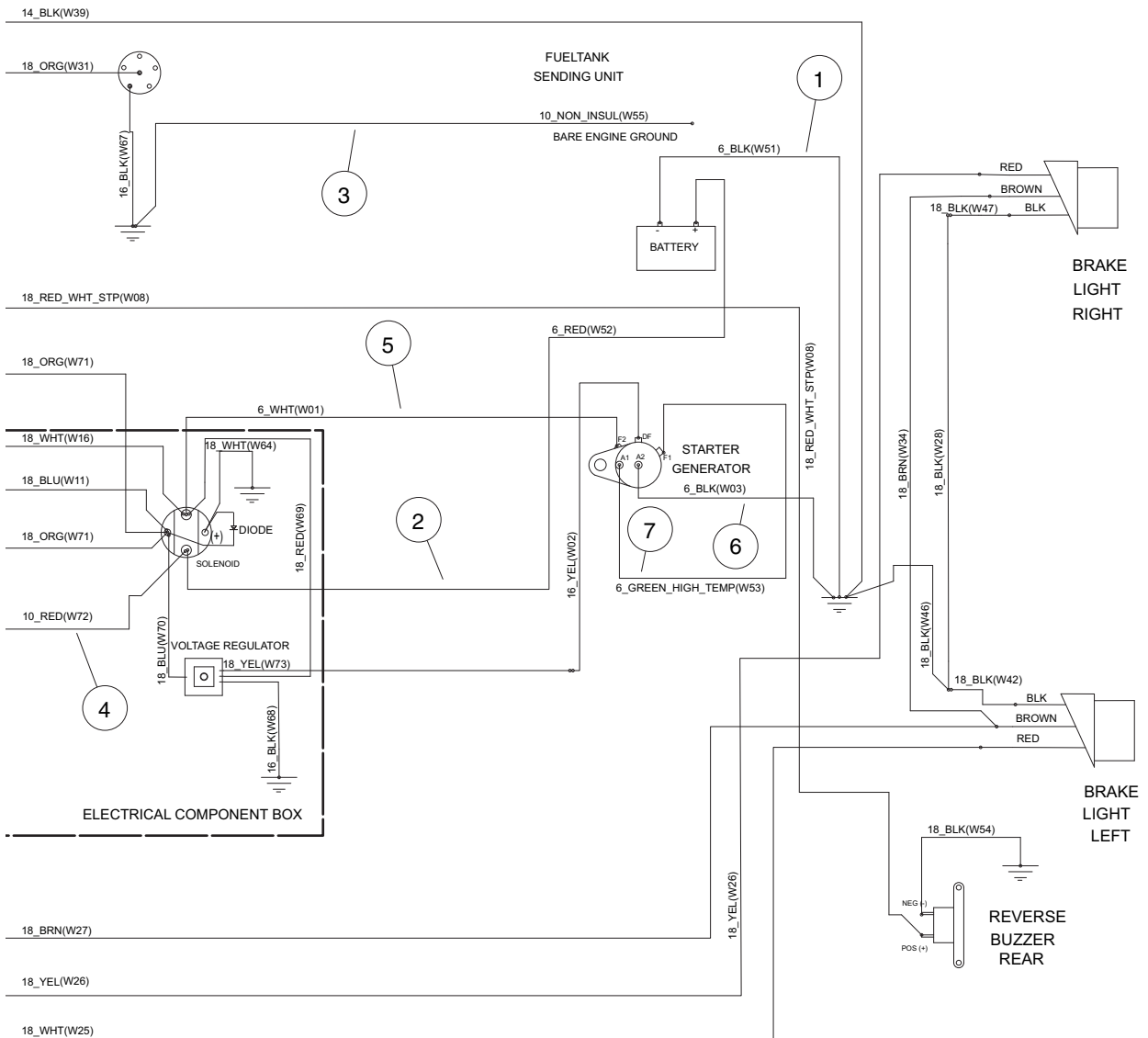
G

See previous two pages for illustration.

WIRING – TURF/CARRYALL 2, TURF/CARRYALL 252, AND TURF/ CARRYALL 2 XRT

ITEM	PART NO.	DESCRIPTION	QTY
		1 2 3 4	
1	1012382	Wire Assy, #6 Black	1
2	1014119	Wire Assembly #6 Red	1
3	1015332	Wire Assembly, #10, Uninsulated	1
4	1015737	Wire Assy, #10 Red	1
5	1015769	Wire Assy, #6 White	1
6	1016380	Wire Assembly #6 Black	1
7	1016858	Wire Harness, Headlight	1
8	101837301	Wire Assy, #6 Green	1
9	101990102	Wire Harness Assembly, CAII Gas	1
Note: Item 7 (not shown) is not standard on all models.			

6
G



000326-001

6

G

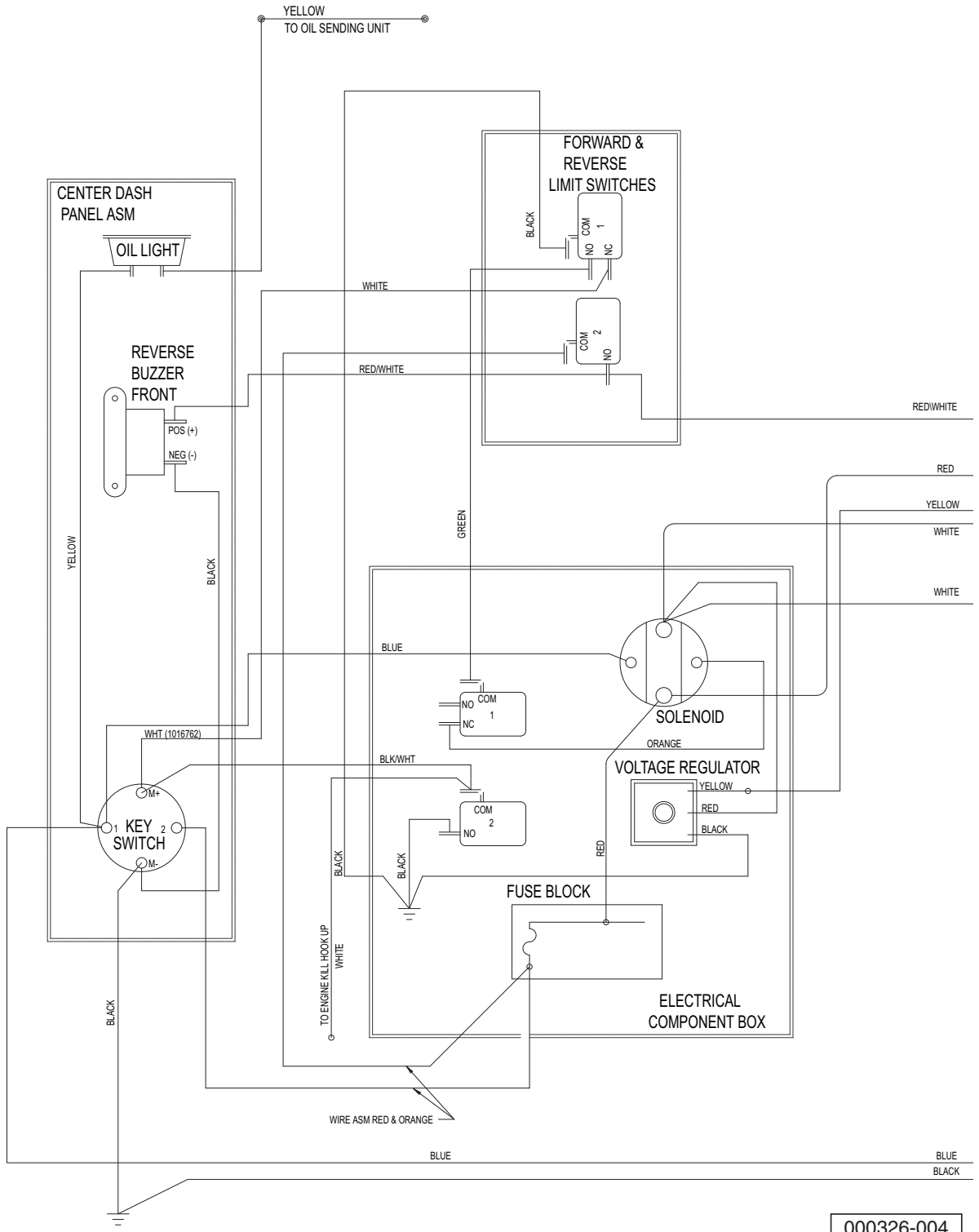
See previous two pages for illustration.

WIRING – GASOLINE CARRYALL 6

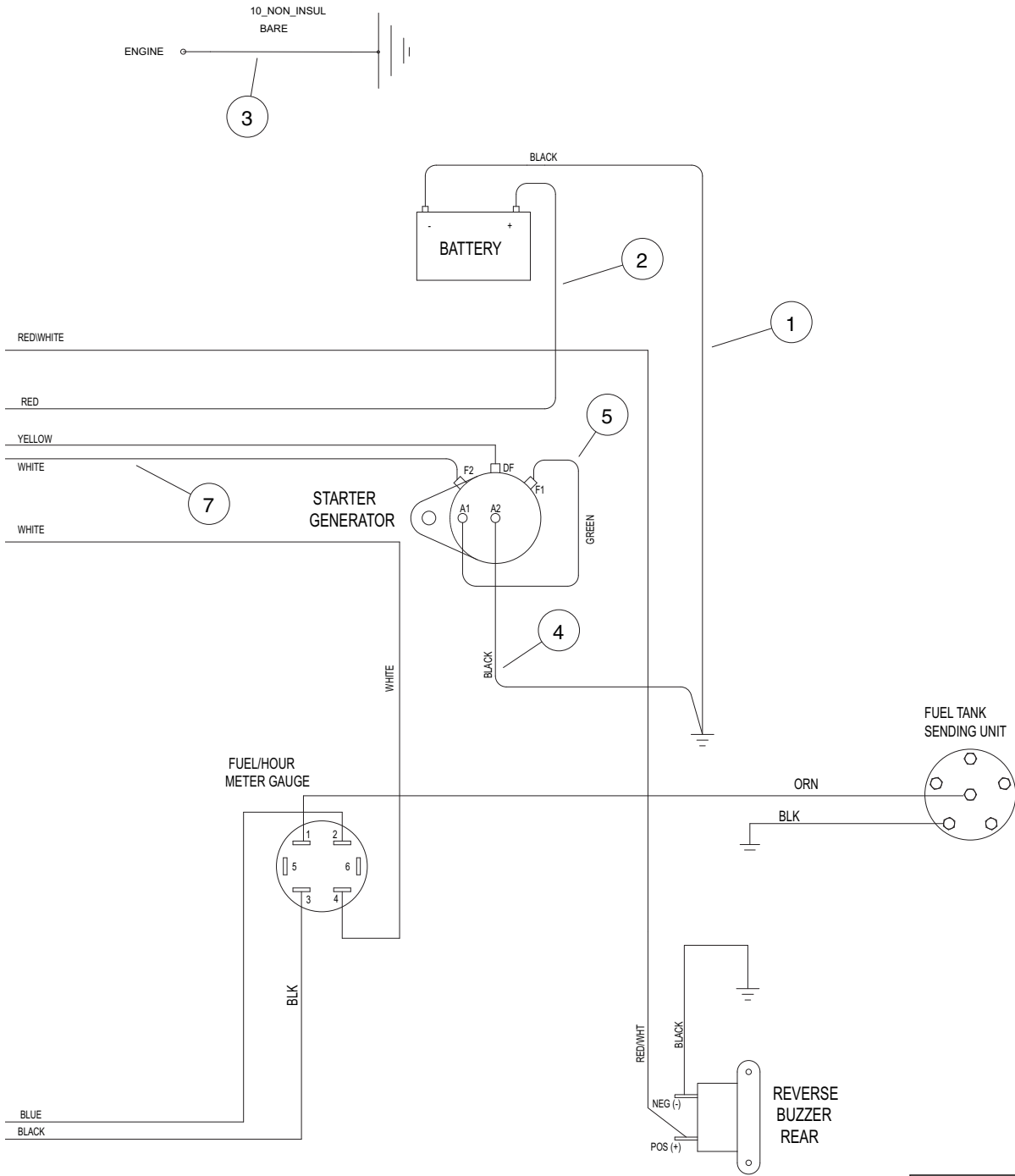
ITEM	PART NO.	DESCRIPTION	QTY
		1 2 3 4	
1	1012382	Wire Assy, #6 Black	1
2	1014119	Wire Assembly #6 Red	1
3	1015332	Wire Assembly, #10, Uninsulated	1
4	1015737	Wire Assy, #10 Red	1
5	1015769	Wire Assy, #6 White	1
6	1016380	Wire Assembly #6 Black	1
7	101837301	Wire Assy, #6 Green	1
8	****	Wire Harness (Lighting)	1
9	101990402	Wire Harness Assy	1
		**** Special order item available upon request.	

6

G



000326-004



000326-004

6

G

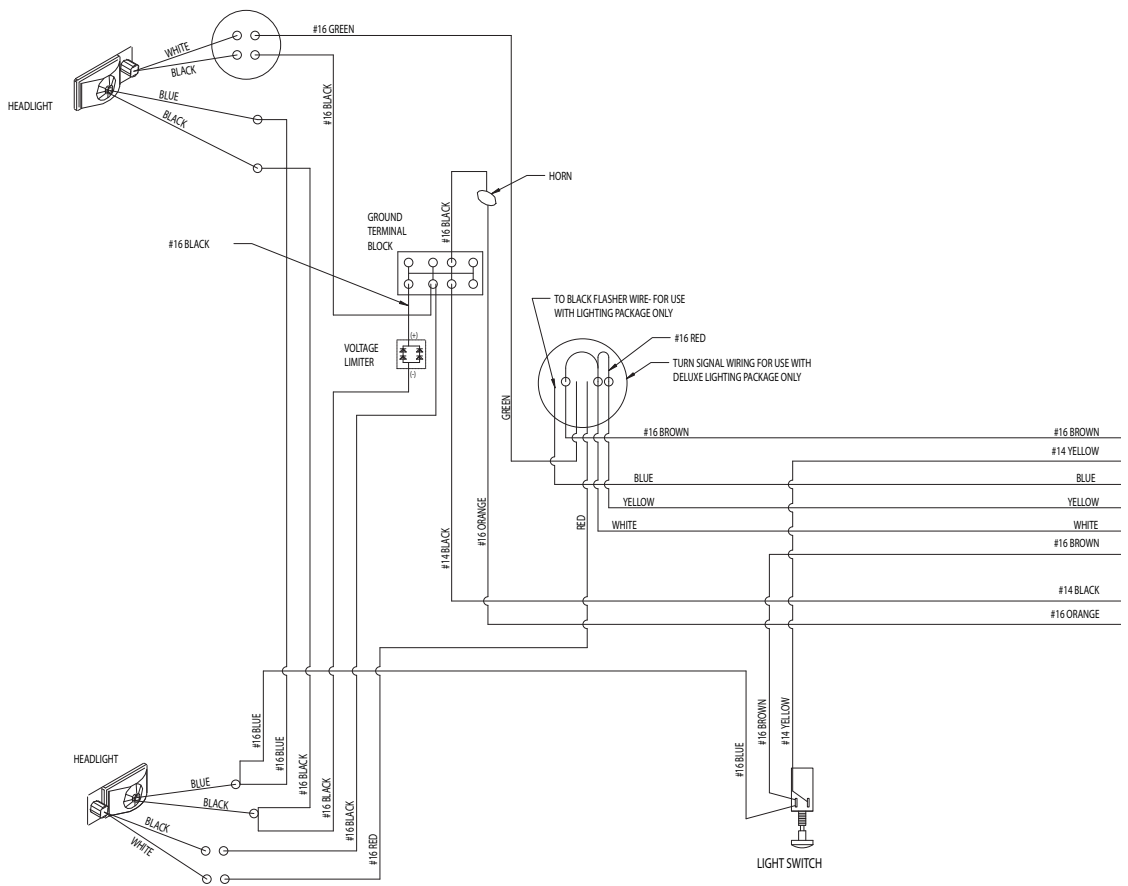
See previous two pages for illustration.

WIRING – GASOLINE TURF 6

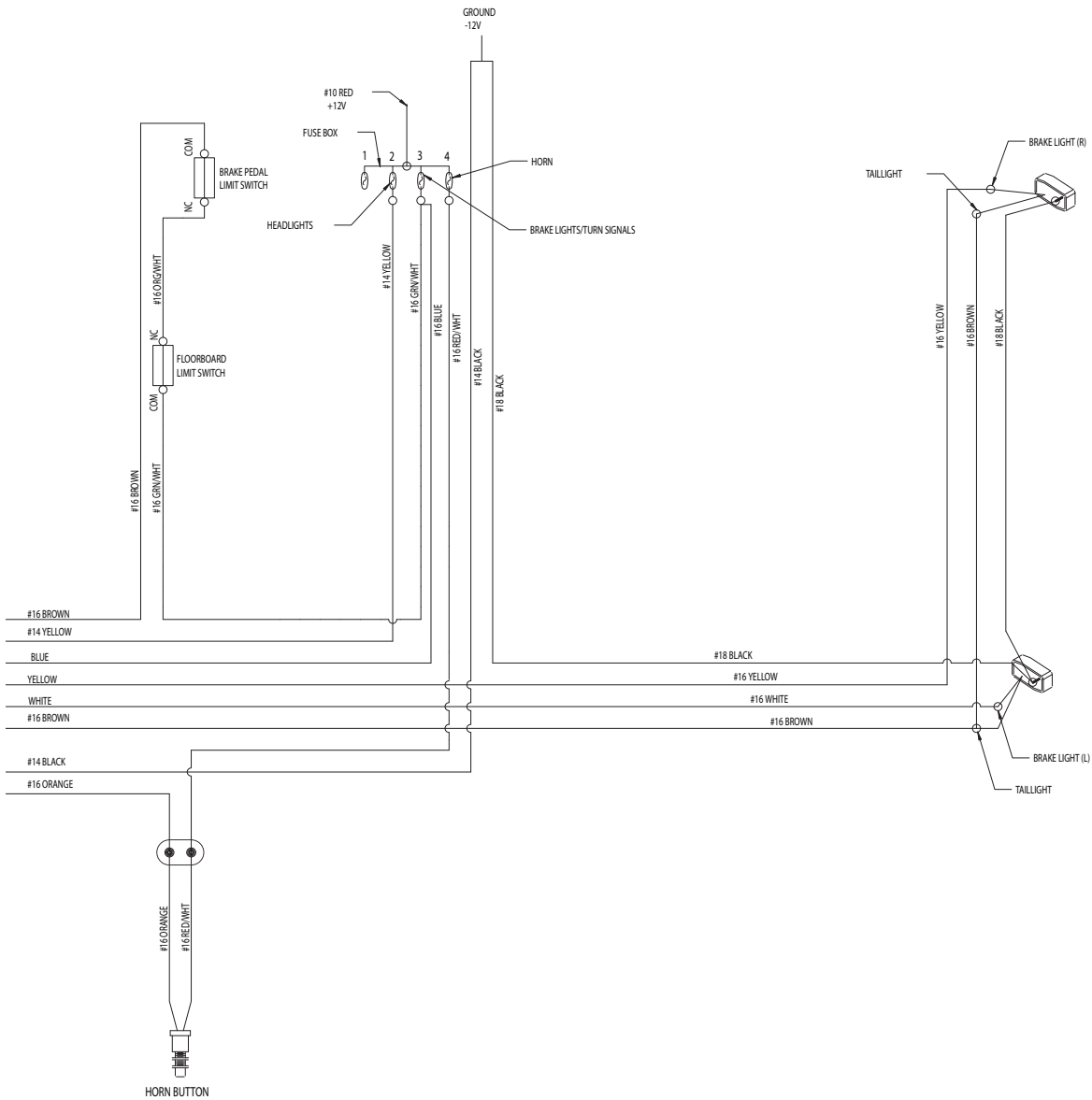
ITEM	PART NO.	DESCRIPTION	QTY
		1 2 3 4	
1	1012382	Wire Assy, #6 Black	1
2	1014119	Wire Assembly #6 Red	1
3	1015332	Wire Assembly, #10, Uninsulated	1
4	1015920	Ground Wire Assembly	1
5	101837301	Wire Assy, #6 Green	1
6	101990201	Wire Harness Assy, Limo Gas * (includes item 7)	1
7	1015769	Wire Assy, #6 White	1
		* Note: The harness contains several wires that are not available for order as individual items.	

6

G



000431-001



000431-001

6

G

See previous two pages for illustration.

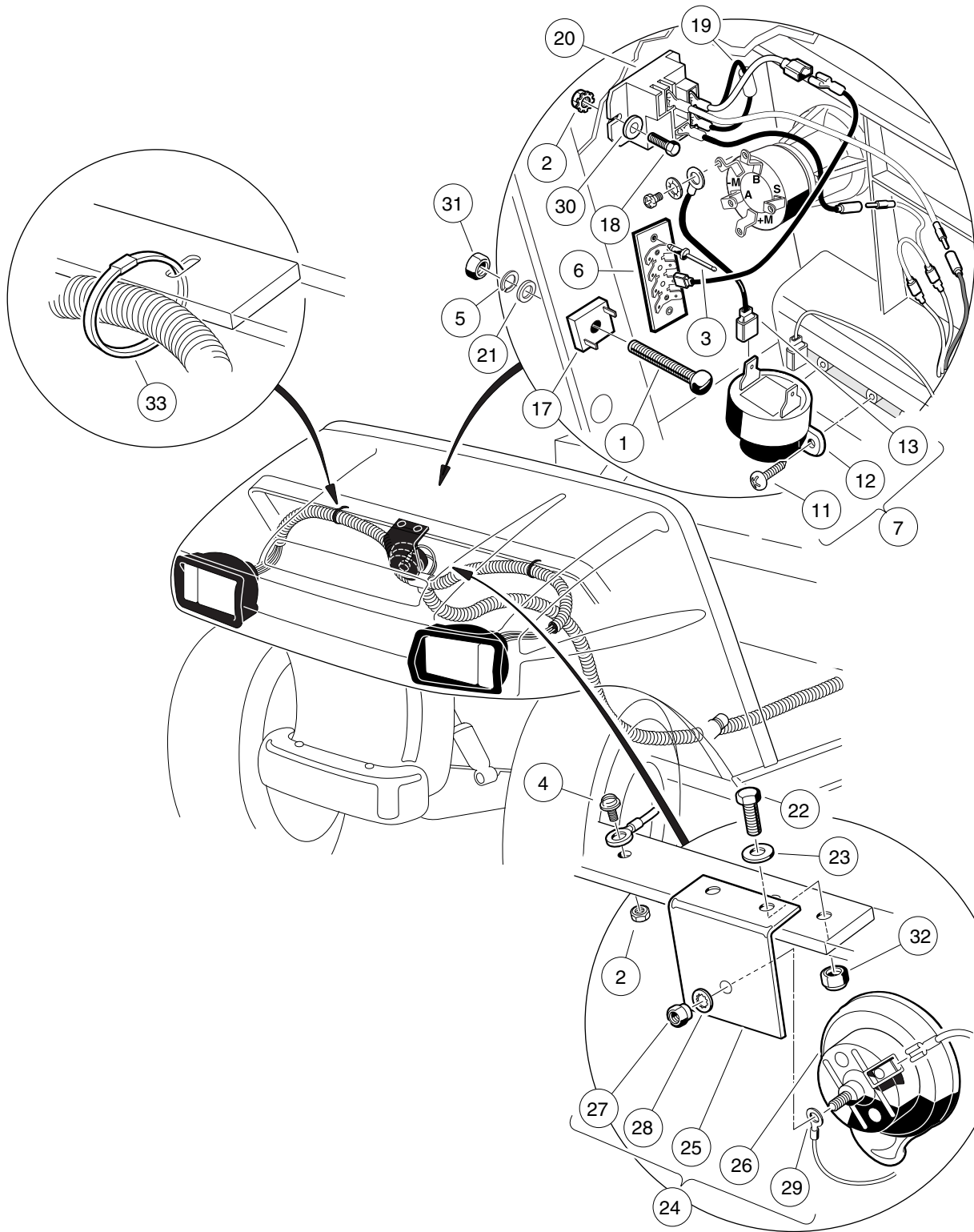
WIRING – GASOLINE TURF 6 LIGHTING

ITEM	PART NO.	DESCRIPTION	QTY
1	****	<p>1 2 3 4</p> <p>Wire Harness (Lighting)</p> <p>**** Special order item available upon request.</p>	1

6

G

6
G

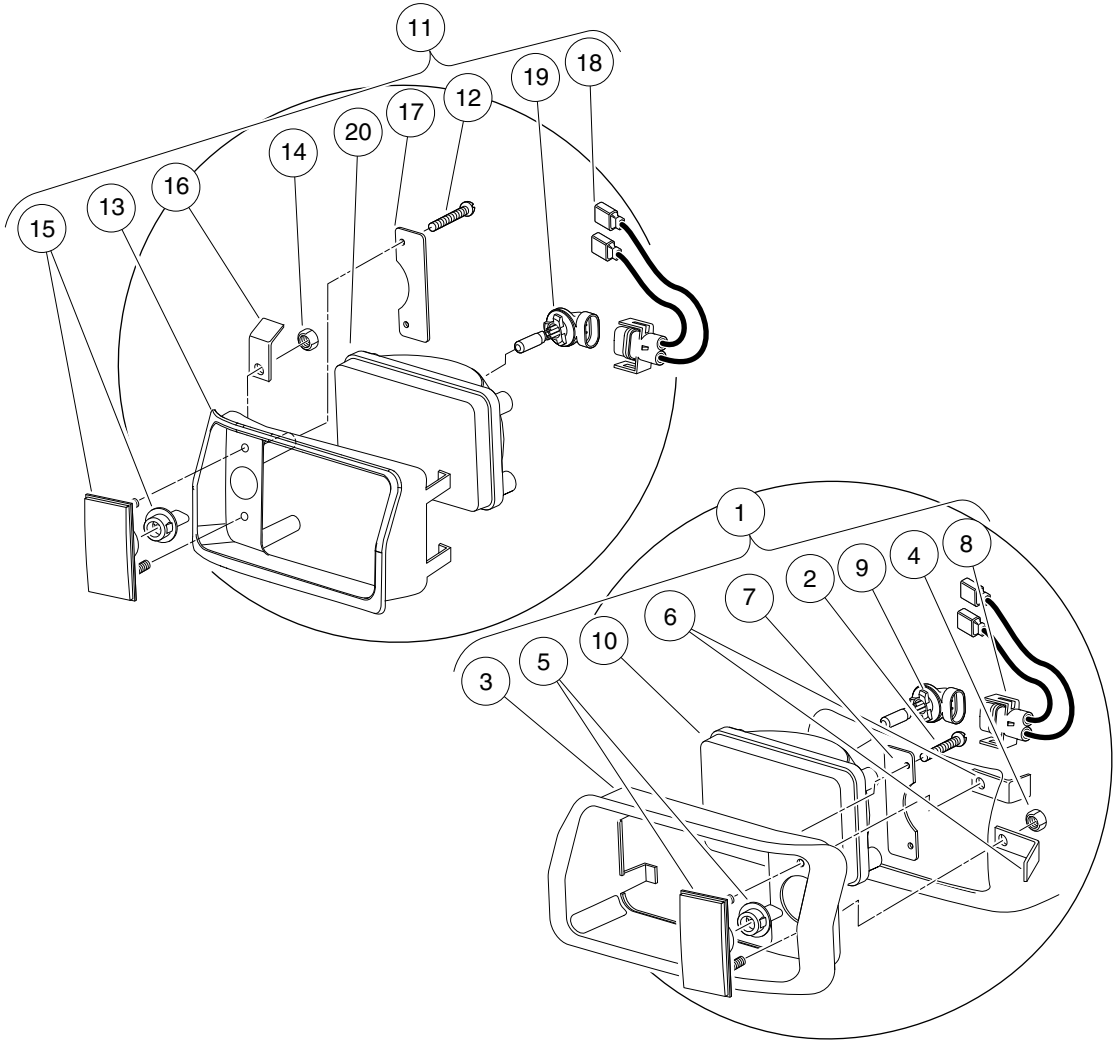


000335-001

FRONT BODY ELECTRICAL COMPONENTS – GASOLINE TURF/CARRYALL 6

6
G

ITEM	PART NO.	DESCRIPTION	QTY
		1 2 3 4	
1	1010909	Screw, #10-32 X 1.25 Rd Hd Mch	1
2	1011229	Locknut, #6-32 Whiz	3
3	1013357	Rivet, 5/32 Aluminum Pop	2
4	1015720	Screw, #6-32 X 1/2 Hex Washer-Head	1
5	1016	Lockwasher, #10 Split	1
6	1016356	Terminal Block with Insulator	1
7	1016859	Kit, Reverse Buzzer (includes items 8 through 16)	1
8	1011229	Locknut, #6-32 Whiz	1
9	1012431	Washer, #4 Flat	2
10	1015720	Screw, #6-32 X 1/2 Hex Washer-Head	1
11	1016849	Screw, #4-24 X 0.33 Pan-Head Machine	2
12	1016851	Buzzer, Reverse (9-48 VDC)	1
13	1016857	Wire Assembly Black #18	1
14	8056	Screw, #4-40 X 0.75 Round-Head Machine	2
15	8057	Nut, #4-40 Hex Machine	2
16	8058	Lockwasher, #4 Split	2
17	1017721	Limiter, Voltage	1
18	1017853	Screw, #6-32 X 0.75 Hex-Head Machine	2
19	101914401	Assembly, Voltage Suppressor	1
20	102199001	Relay, 12-Volt	1
21	183	Washer, #10 Type A Flat	1
22	304	Screw, 1/4-20 X 1.0 Hex-Head Cap	2
23	332	Washer, 1/4 Type A Narrow Flat	2
24	4029	Horn (includes items 25 through 29)	1
25	1011825	Horn Bracket	1
26	1014530	Horn, 12-VDC	1
27	101955101	Nut, M6 Hex	1
28	7820	Washer, 5/16 Internal-Tooth	1
29	N/A	5/16 Ring Term.	1
30	7591	Washer, #6 Flat	2
31	7893	Nut, #10-32 Hex	1
32	8233	Locknut, 1/4-20 Nylon Insert	2
33	8639	Tie Wrap, 11" Nylon	4
		Note: Items 8 through 10, and 14 through 16 are included in the reverse buzzer kit, but are not used in this application.	

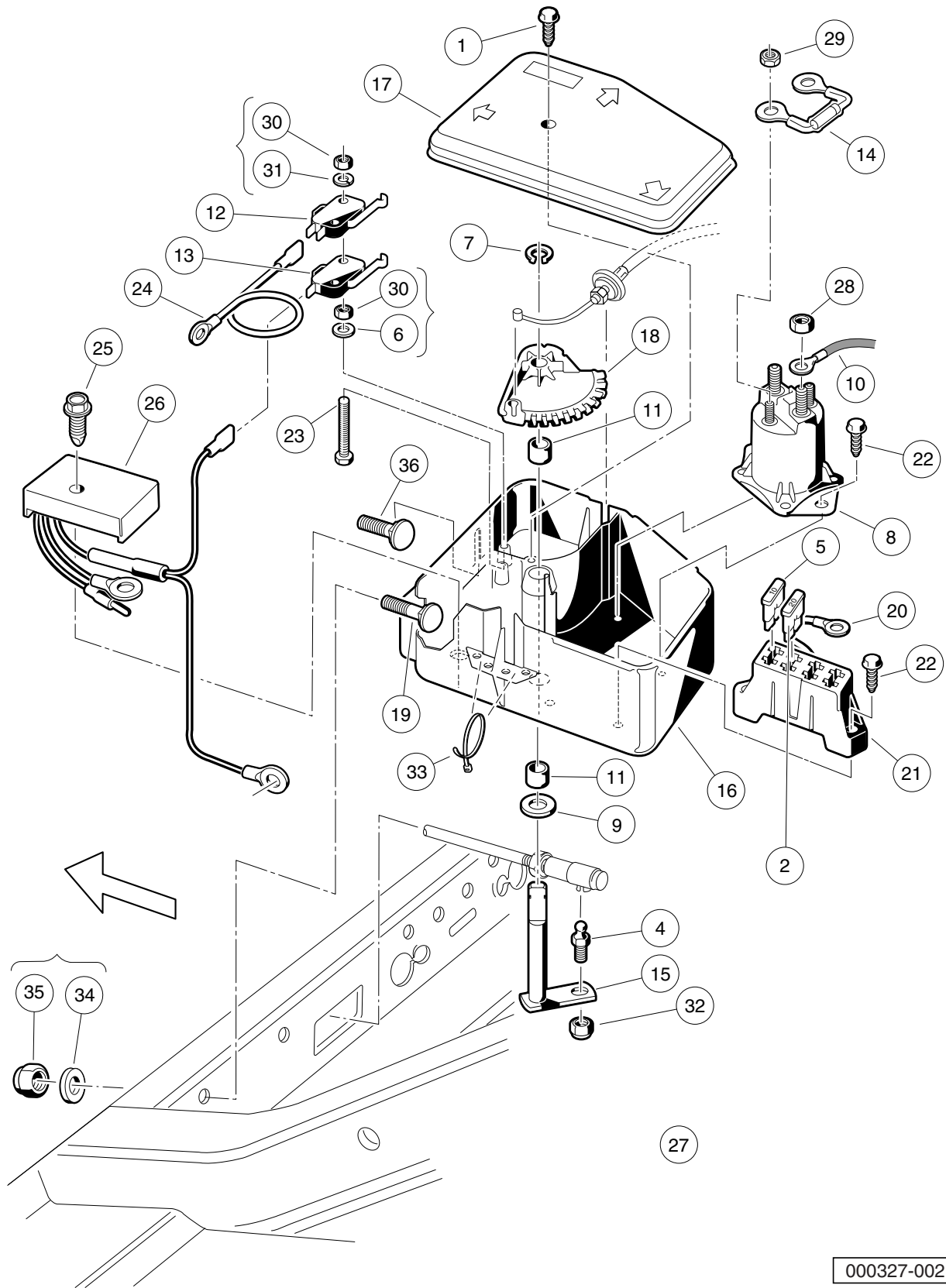


000073-001

HEADLIGHTS

ITEM	PART NO.	DESCRIPTION	QTY
		1 2 3 4	
1	101988001	Headlight Assembly, Driver-Side Single Beam (includes items 2 through 10)	1
2	1013461	Screw, #10-16 Hex-Head Hi-Lo	2
3	1016880	Headlight Bezel, Left	1
4	1017	Nut, #10-24 Stainless-Steel Hex Machine	2
5	1017062	Turn Signal Lens Assy	1
6	1017064	Mounting Bracket	2
7	1017065	Retainer, Headlight	1
8	101987901	Connector Harness Assembly, Headlight	1
9	101988101	Bulb, Headlight	1
10	101988201	Lens, Headlight	1
11	101988002	Headlight Assy, Passenger-Side Single Beam (includes items 12 through 20)	1
12	1013461	Screw, #10-16 Hex-Head Hi-Lo	2
13	1016879	Headlight Bezel, Right	1
14	1017	Nut, #10-24 Stainless-Steel Hex Machine	2
15	1017062	Turn Signal Lens Assy	1
16	1017064	Mounting Bracket	2
17	1017065	Retainer, Headlight	1
18	101987901	Connector Harness Assembly, Headlight	1
19	101988101	Bulb, Headlight	1
20	101988201	Lens, Headlight	1

6
G

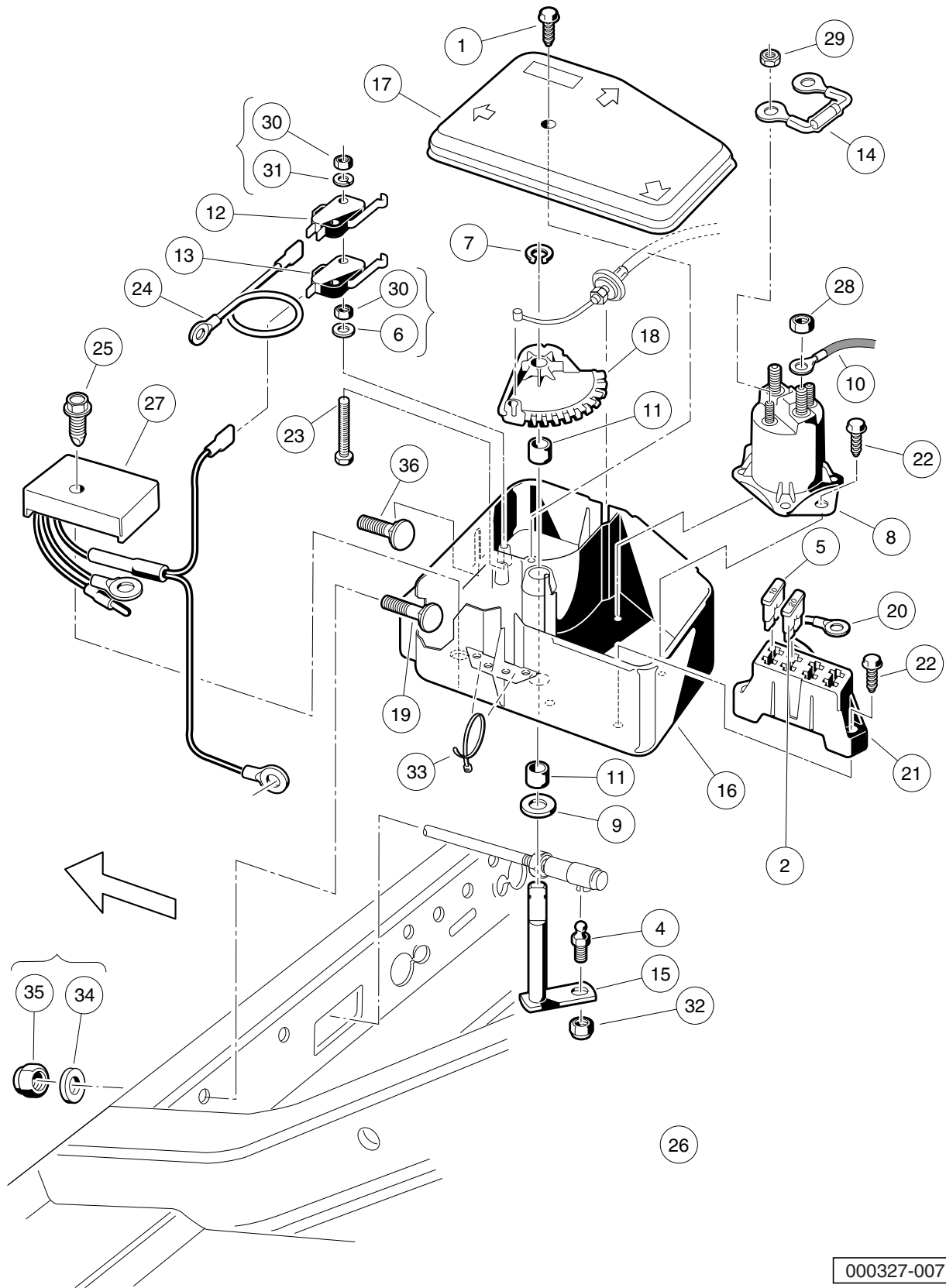


000327-002

ELECTRICAL COMPONENT BOX – GASOLINE TURF/CARRYALL 1 VEHICLES

ITEM	PART NO.	DESCRIPTION	QTY
		1 2 3 4	
1	1015752	Screw, #12-16 X 0.625 Hi-Lo	1
2	1016423	Fuse, 20-Amp	1
3	N/A	Electrical Component Box Assembly (includes items 4 through 33)	1
4	1010954	Stud, 1/4-28 X 0.560 Ball	1
5	1012295	Fuse, 10-Amp	1
6	1012431	Washer, #4 Flat	2
7	1013589	Ring, 0.338" Internal Retaining	1
8	1013609	Solenoid, 12-Volt	1
9	1014065	Washer, 0.38" ID Delrin Flat	1
10	1014119	Wire Assembly #6 Red	1
11	1014145	Bushing, Secondary Weight, Split	2
12	1014807	Switch, Limit	1
13	1014808	Switch, Limit	1
14	1014948	Diode	1
15	1015345	Bell Crank and Shaft Assembly	1
16	1015371	Box, Electrical Component	1
17	1015372	Cover, Electric Box	1
18	1015373	Cam, Electric Box	1
19	1015405	Bolt, Carriage, 5/16-18 X 2.0	1
20	1015737	Wire Assy, #10 Red	1
21	1015741	Fuse Block	1
22	1015752	Screw, #12-16 X 0.625 Hi-Lo	4
23	1015878	Screw, #4-40 Hex Head Machine	2
24	1016401	Wire Assy, #16 Orange	1
25	101856102	Screw, 1/4-15 X 1.50 Hi-lo Hex	1
26	102711201	Voltage Regulator	1
27	103332402	Assy Wire Harness Gas V4 Kit	1
28	1242	Nut, 5/16-18 Hex	2
29	7893	Nut, #10-32 Hex	2
30	8057	Nut, #4-40 Hex Machine	4
31	8058	Lockwasher, #4 Split	2
32	8717	Locknut, 1/4-28 Nylon Insert	1
33	8990	Tie Wrap, 8" Nylon	2
34	1241	Washer, 5/16 Type A Flat	2
35	7473	Locknut, 5/16-18 Nylon Insert	2
36	7818	Bolt, Carriage, 5/16-18 X 1.5	1

6
G



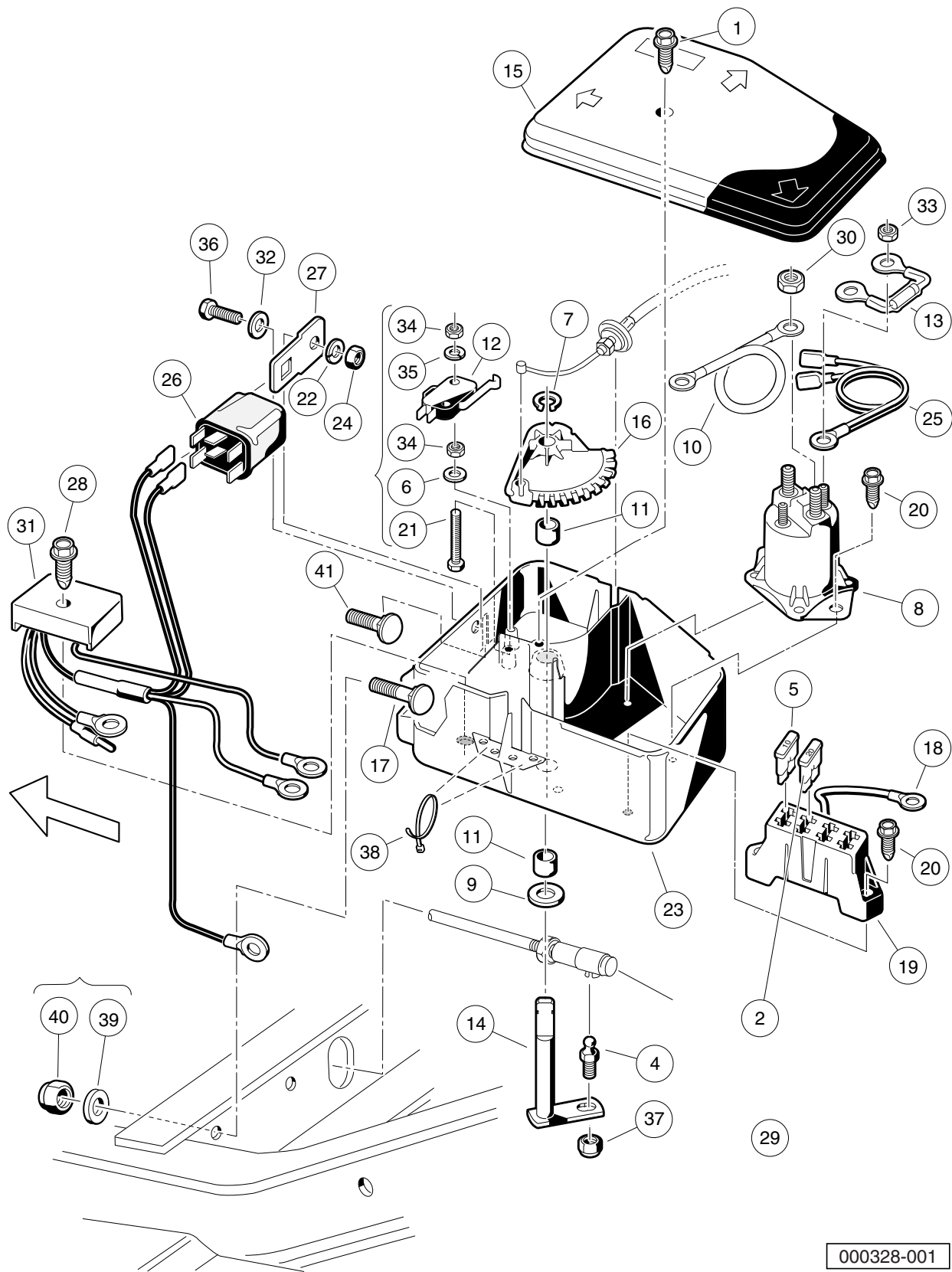
000327-007

ELECTRICAL COMPONENT BOX – GASOLINE TURF/ CARRYALL 2, 252, AND 2 XRT

ITEM	PART NO.	DESCRIPTION	QTY
		1 2 3 4	
1	1015752	Screw, #12-16 X 0.625 Hi-Lo	1
2	1016423	Fuse, 20-Amp	1
3	N/A	Electrical Component Box Assembly (includes items 4 through 33)	1
4	1010954	Stud, 1/4-28 X 0.560 Ball	1
5	1012295	Fuse, 10-Amp	1
6	1012431	Washer, #4 Flat	2
7	1013589	Ring, 0.338" Internal Retaining	1
8	1013609	Solenoid, 12-Volt	1
9	1014065	Washer, 0.38" ID Delrin Flat	1
10	1014119	Wire Assembly #6 Red	1
11	1014145	Bushing, Secondary Weight, Split	2
12	1014807	Switch, Limit	1
13	1014808	Switch, Limit	1
14	1014948	Diode	1
15	1015345	Bell Crank and Shaft Assembly	1
16	1015371	Box, Electrical Component	1
17	1015372	Cover, Electric Box	1
18	1015373	Cam, Electric Box	1
19	1015405	Bolt, Carriage, 5/16-18 X 2.0	1
20	1015737	Wire Assy, #10 Red	1
21	1015741	Fuse Block	1
22	1015752	Screw, #12-16 X 0.625 Hi-Lo	4
23	1015878	Screw, #4-40 Hex Head Machine	2
24	1016401	Wire Assy, #16 Orange	1
25	101856102	Screw, 1/4-15 X 1.50 Hi-lo Hex	1
26	101990102	Wire Harness Assembly, CAII Gas	1
27	102711201	Voltage Regulator	1
28	1242	Nut, 5/16-18 Hex	2
29	7893	Nut, #10-32 Hex	2
30	8057	Nut, #4-40 Hex Machine	4
31	8058	Lockwasher, #4 Split	2
32	8717	Locknut, 1/4-28 Nylon Insert	1
33	8990	Tie Wrap, 8" Nylon	2
34	1241	Washer, 5/16 Type A Flat	2
35	7473	Locknut, 5/16-18 Nylon Insert	2
36	7818	Bolt, Carriage, 5/16-18 X 1.5	1

6

G



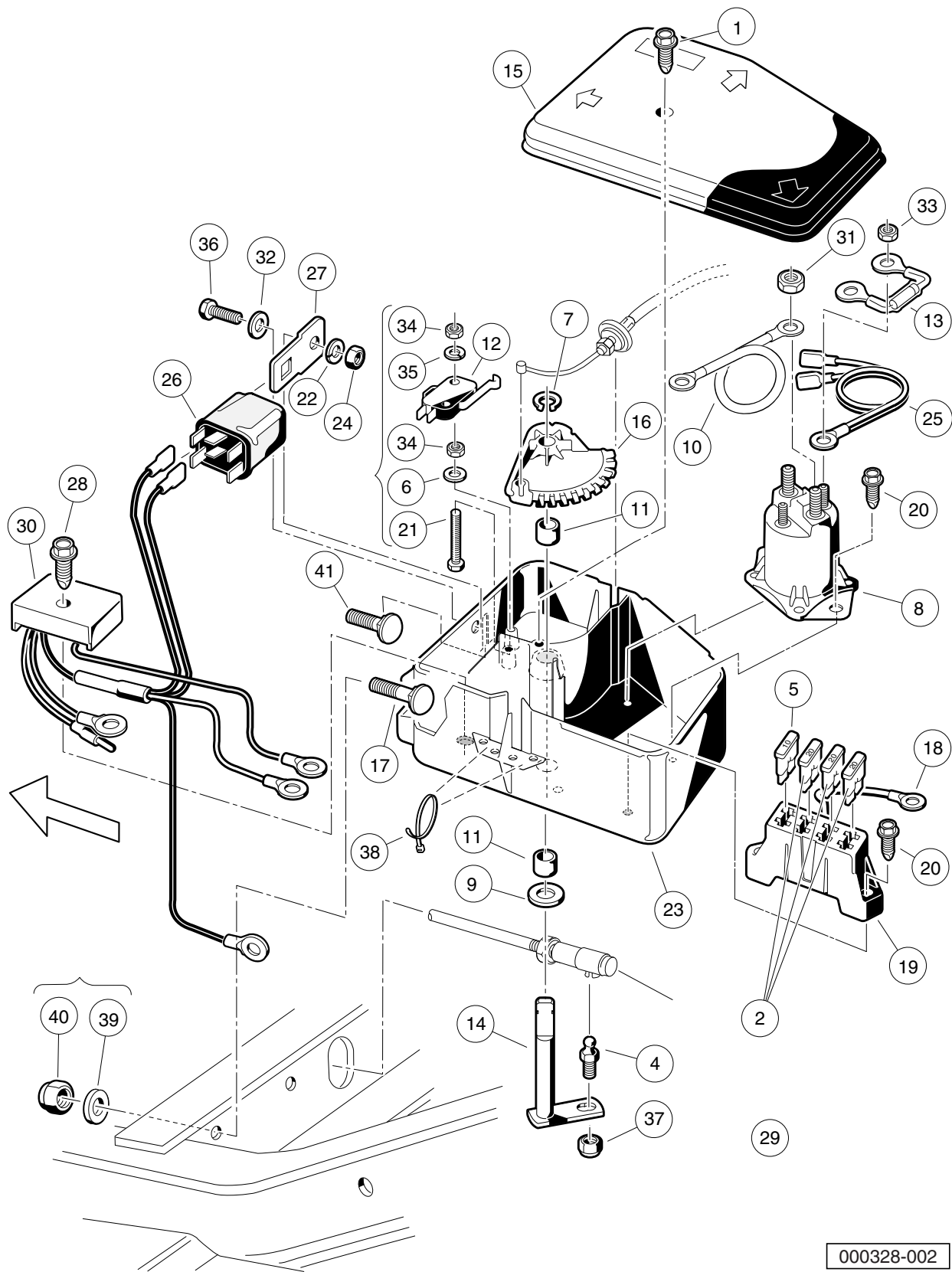
000328-001

ELECTRICAL COMPONENT BOX – GASOLINE CARRYALL 2 PLUS

ITEM	PART NO.	DESCRIPTION	QTY
		1 2 3 4	
1	1015752	Screw, #12-16 X 0.625 Hi-Lo	1
2	1016423	Fuse, 20-Amp	1
3	101827701	Electrical Component Box Assembly (includes items 4 through 38)	1
4	1010954	Stud, 1/4-28 X 0.560 Ball	1
5	1012295	Fuse, 10-Amp	1
6	1012431	Washer, #4 Flat	2
7	1013589	Ring, 0.338" Internal Retaining	1
8	1013609	Solenoid, 12-Volt	1
9	1014065	Washer, 0.38" ID Delrin Flat	1
10	1014119	Wire Assembly #6 Red	1
11	1014145	Bushing, Secondary Weight, Split	2
12	1014807	Switch, Limit	1
13	1014948	Diode	1
14	1015345	Bell Crank and Shaft Assembly	1
15	1015372	Cover, Electric Box	1
16	1015373	Cam, Electric Box	1
17	1015405	Bolt, Carriage, 5/16-18 X 2.0	1
18	1015737	Wire Assy, #10 Red	1
19	1015741	Fuse Block	1
20	1015752	Screw, #12-16 X 0.625 Hi-Lo	4
21	1015878	Screw, #4-40 Hex Head Machine	2
22	1016	Lockwasher, #10 Split	1
23	1016997	Electrical Component Box	1
24	1017	Nut, #10-24 Stainless-Steel Hex Machine	1
25	1017006	Wire Assembly Orange #18	1
26	1017239	Relay	1
27	1017243	Mounting Bracket, Relay	1
28	101856102	Screw, 1/4-15 X 1.50 Hi-lo Hex	1
29	101990302	Wire Harness Assembly, Carryall 2 Plus	1
30	N/A	Asm, Voltage Regulator Key Sta	1
31	1242	Nut, 5/16-18 Hex	2
32	183	Washer, #10 Type A Flat	1
33	7893	Nut, #10-32 Hex	2
34	8057	Nut, #4-40 Hex Machine	4
35	8058	Lockwasher, #4 Split	2
36	8450	Screw, #10-24 X 0.50 Hex-Head	1
37	8717	Locknut, 1/4-28 Nylon Insert	1
38	8990	Tie Wrap, 8" Nylon	3
39	1241	Washer, 5/16 Type A Flat	2
40	7473	Locknut, 5/16-18 Nylon Insert	2
41	7818	Bolt, Carriage, 5/16-18 X 1.5	1

6

G

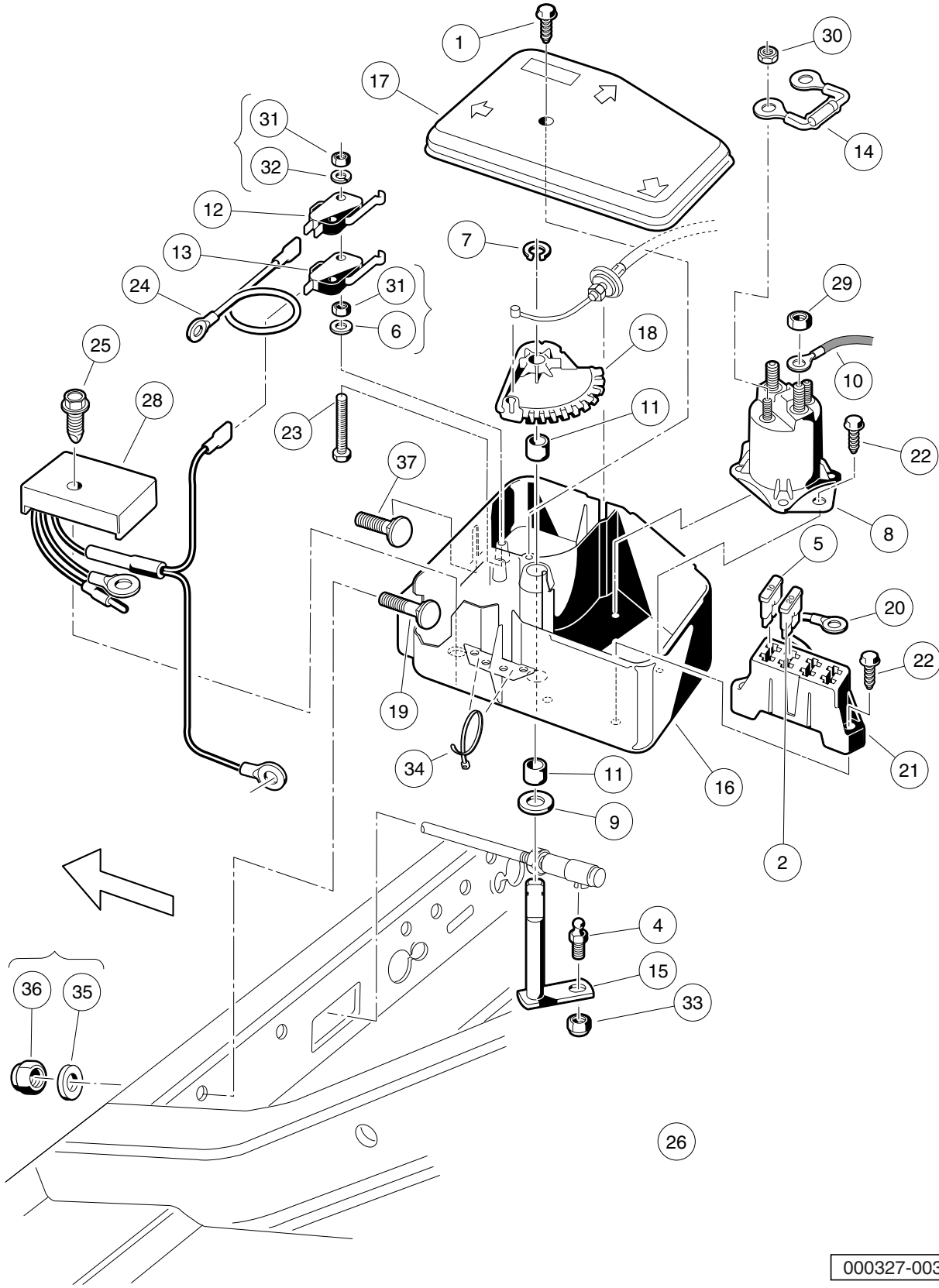


000328-002

ELECTRICAL COMPONENT BOX – GASOLINE CARRYALL 6

ITEM	PART NO.	DESCRIPTION	QTY
		1 2 3 4	
1	1015752	Screw, #12-16 X 0.625 Hi-Lo	1
2	1016423	Fuse, 20-Amp	3
3	N/A	Electrical Component Box Assembly (includes items 4 through 38)	1
4	1010954	Stud, 1/4-28 X 0.560 Ball	1
5	1012295	Fuse, 10-Amp	1
6	1012431	Washer, #4 Flat	2
7	1013589	Ring, 0.338" Internal Retaining	1
8	1013609	Solenoid, 12-Volt	1
9	1014065	Washer, 0.38" ID Delrin Flat	1
10	1014119	Wire Assembly #6 Red	1
11	1014145	Bushing, Secondary Weight, Split	2
12	1014807	Switch, Limit	1
13	1014948	Diode	1
14	1015345	Bell Crank and Shaft Assembly	1
15	1015372	Cover, Electric Box	1
16	1015373	Cam, Electric Box	1
17	1015405	Bolt, Carriage, 5/16-18 X 2.0	1
18	1015737	Wire Assy, #10 Red	1
19	1015741	Fuse Block	1
20	1015752	Screw, #12-16 X 0.625 Hi-Lo	4
21	1015878	Screw, #4-40 Hex Head Machine	2
22	1016	Lockwasher, #10 Split	1
23	1016997	Electrical Component Box	1
24	1017	Nut, #10-24 Stainless-Steel Hex Machine	1
25	1017006	Wire Assembly Orange #18	1
26	1017239	Relay	1
27	1017243	Mounting Bracket, Relay	1
28	101856102	Screw, 1/4-15 X 1.50 Hi-lo Hex	1
29	101990402	Wire Harness Assy	1
30	N/A	Asm, Voltage Regulator Key Sta	1
31	1242	Nut, 5/16-18 Hex	2
32	183	Washer, #10 Type A Flat	1
33	7893	Nut, #10-32 Hex	2
34	8057	Nut, #4-40 Hex Machine	4
35	8058	Lockwasher, #4 Split	2
36	8450	Screw, #10-24 X 0.50 Hex-Head	1
37	8717	Locknut, 1/4-28 Nylon Insert	1
38	8990	Tie Wrap, 8" Nylon	3
39	1241	Washer, 5/16 Type A Flat	2
40	7473	Locknut, 5/16-18 Nylon Insert	2
41	7818	Bolt, Carriage, 5/16-18 X 1.5	1

6
G



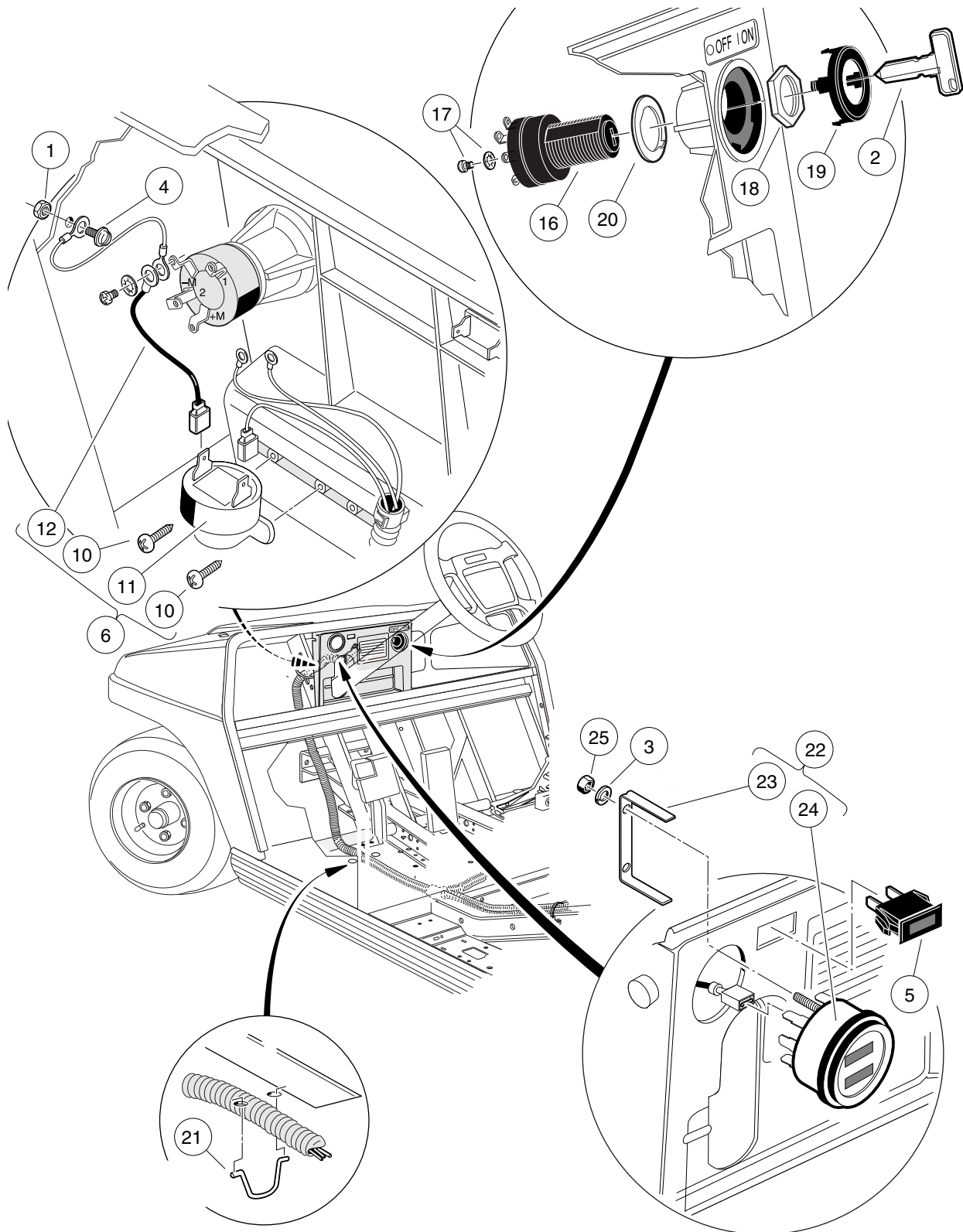
000327-003

ELECTRICAL COMPONENT BOX – GASOLINE TURF 6

ITEM	PART NO.	DESCRIPTION	QTY
		1 2 3 4	
1	1015752	Screw, #12-16 X 0.625 Hi-Lo	1
2	1016423	Fuse, 20-Amp	1
3	N/A	Elec Component Box Asm , Limo (includes items 4 through 34)	1
4	1010954	Stud, 1/4-28 X 0.560 Ball	1
5	1012295	Fuse, 10-Amp	1
6	1012431	Washer, #4 Flat	2
7	1013589	Ring, 0.338" Internal Retaining	1
8	1013609	Solenoid, 12-Volt	1
9	1014065	Washer, 0.38" ID Delrin Flat	1
10	1014119	Wire Assembly #6 Red	1
11	1014145	Bushing, Secondary Weight, Split	2
12	1014807	Switch, Limit	1
13	1014808	Switch, Limit	1
14	1014948	Diode	1
15	1015345	Bell Crank and Shaft Assembly	1
16	1015371	Box, Electrical Component	1
17	1015372	Cover, Electric Box	1
18	1015373	Cam, Electric Box	1
19	1015405	Bolt, Carriage, 5/16-18 X 2.0	1
20	1015737	Wire Assy, #10 Red	1
21	1015741	Fuse Block	1
22	1015752	Screw, #12-16 X 0.625 Hi-Lo	4
23	1015878	Screw, #4-40 Hex Head Machine	2
24	1016401	Wire Assy, #16 Orange	1
25	101856102	Screw, 1/4-15 X 1.50 Hi-lo Hex	1
26	101990201	Wire Harness Assy, Limo Gas * (includes item 27)	1
27	1015769	Wire Assy, #6 White	1
28	102711201	Voltage Regulator	1
29	1242	Nut, 5/16-18 Hex	2
30	7893	Nut, #10-32 Hex	2
31	8057	Nut, #4-40 Hex Machine	4
32	8058	Lockwasher, #4 Split	2
33	8717	Locknut, 1/4-28 Nylon Insert	1
34	8990	Tie Wrap, 8" Nylon	2
35	1241	Washer, 5/16 Type A Flat	2
36	7473	Locknut, 5/16-18 Nylon Insert	2
37	7818	Bolt, Carriage, 5/16-18 X 1.5	1
		* Note: The harnes contains several wires that are not available for order as individual items.	

6
G

6
G



000330-001

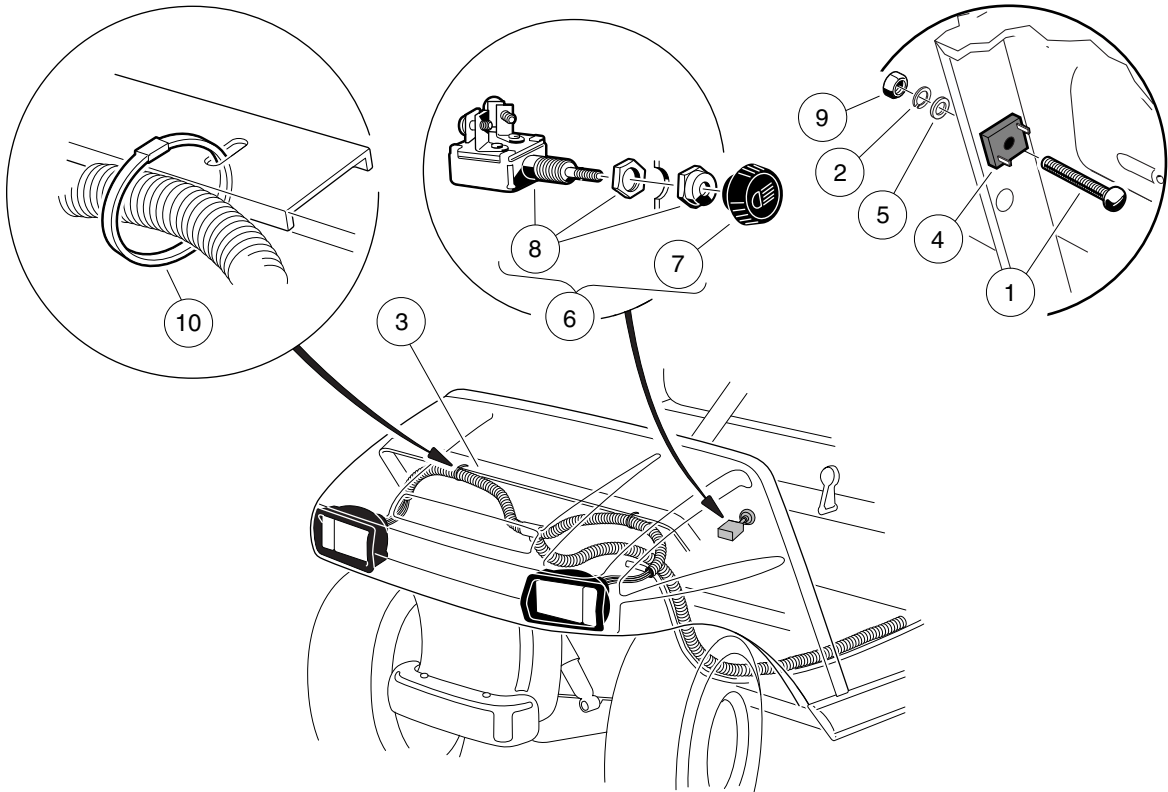
CONTROLS AND INDICATORS – TURF/CARRYALL 1, 2, 2 XRT, AND 252 GASOLINE VEHICLES

ITEM	PART NO.	DESCRIPTION	QTY
		1 2 3 4	
1	1011229	Locknut, #6-32 Whiz	1
2	1012505	Keys (set of 2)	2
3	1012986	Lockwasher, M4	2
4	1015720	Screw, #6-32 X 1/2 Hex Washer-Head	1
5	1016630	Light, Oil	1
6	1016859	Kit, Reverse Buzzer (includes items 7 through 15)	1
7	1011229	Locknut, #6-32 Whiz	1
8	1012431	Washer, #4 Flat	2
9	1015720	Screw, #6-32 X 1/2 Hex Washer-Head	1
10	1016849	Screw, #4-24 X 0.33 Pan-Head Machine	2
11	1016851	Buzzer, Reverse (9-48 VDC)	1
12	1016857	Wire Assembly Black #18	1
13	8056	Screw, #4-40 X 0.75 Round-Head Machine	2
14	8057	Nut, #4-40 Hex Machine	2
15	8058	Lockwasher, #4 Split	2
16	101826301	Key Switch, 12-Volt, Off/On	1
17	101830601	Screw and Washer Assembly	4
18	101830701	Nut, Key Switch	1
19	101834502	Cap, Black Key Switch	1
20	101851101	Washer, Key Switch	1
21	101900901	Harness Retainer	3
22	101990703	Gauge, Fuel/Hour, with Bracket (includes items 23 and 24)	1
23	102025901	Bracket, Fuel Gauge/Hour Meter	1
24	N/A	Gauge, Fuel/Hour	1
25	101991101	Nut, M4-0.7	2
<p>Note: Items 7 through 9, and 13 through 15 are included in the reverse buzzer kit, but are not used in this application.</p>			

6

G

6
G



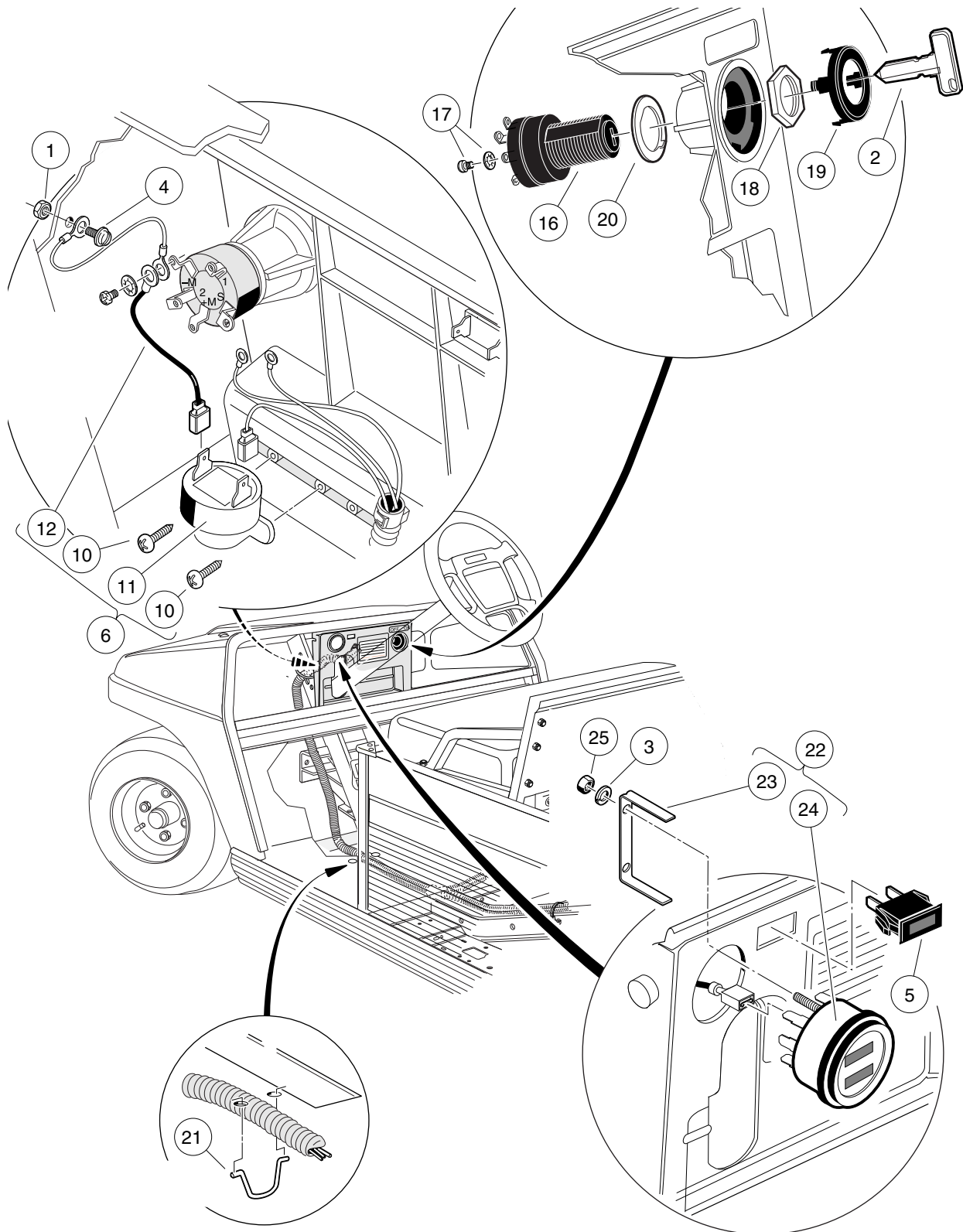
000334-001

HEADLIGHT COMPONENTS – TURF 2, TURF/ CARRYALL 2 XRT, AND 252

ITEM	PART NO.	DESCRIPTION	QTY
		1 2 3 4	
1	1010909	Screw, #10-32 X 1.25 Rd Hd Mch	1
2	1016	Lockwasher, #10 Split	1
3	1016858	Wire Harness, Headlight	1
4	1017721	Limiter, Voltage	1
5	183	Washer, #10 Type A Flat	1
6	4034	Light Switch (includes items 7 and 8)	1
7	1013857	Knob, Light Switch	1
8	1013858	Switch, Light Without Knob	1
9	7893	Nut, #10-32 Hex	1
10	8990	Tie Wrap, 8" Nylon	4

6
G

6
G



000330-002

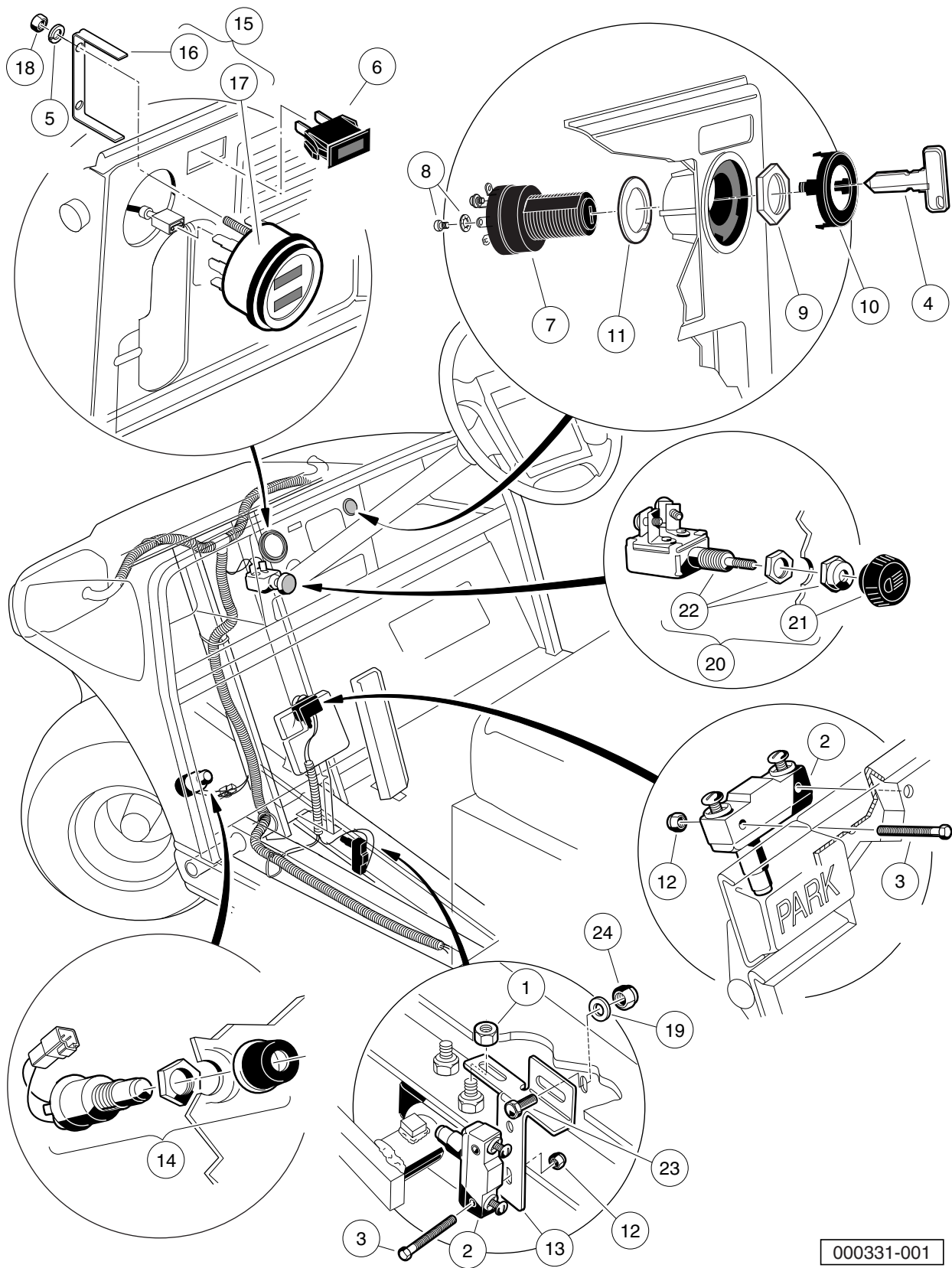
CONTROLS AND INDICATORS – GASOLINE CARRYALL 2 PLUS

ITEM	PART NO.	DESCRIPTION	QTY
		1 2 3 4	
1	1011229	Locknut, #6-32 Whiz	1
2	1012505	Keys (set of 2)	2
3	1012986	Lockwasher, M4	2
4	1015720	Screw, #6-32 X 1/2 Hex Washer-Head	1
5	1016630	Light, Oil	1
6	1016859	Kit, Reverse Buzzer (includes items 7 through 15)	1
7	1011229	Locknut, #6-32 Whiz	1
8	1012431	Washer, #4 Flat	2
9	1015720	Screw, #6-32 X 1/2 Hex Washer-Head	1
10	1016849	Screw, #4-24 X 0.33 Pan-Head Machine	2
11	1016851	Buzzer, Reverse (9-48 VDC)	1
12	1016857	Wire Assembly Black #18	1
13	8056	Screw, #4-40 X 0.75 Round-Head Machine	2
14	8057	Nut, #4-40 Hex Machine	2
15	8058	Lockwasher, #4 Split	2
16	101826401	Key Switch, 12-Volt, Off/On/Start	1
17	101830601	Screw and Washer Assembly	5
18	101830701	Nut, Key Switch	1
19	101834502	Cap, Black Key Switch	1
20	101851101	Washer, Key Switch	1
21	101900901	Harness Retainer	3
22	101990703	Gauge, Fuel/Hour, with Bracket (includes items 23 and 24)	1
23	102025901	Bracket, Fuel Gauge/Hour Meter	1
24	N/A	Gauge, Fuel/Hour	1
25	101991101	Nut, M4-0.7	2
<p>Note: Items 7 through 9, and 13 through 15 are included in the reverse buzzer kit, but are not used in this application.</p>			

6

G

6
G



000331-001

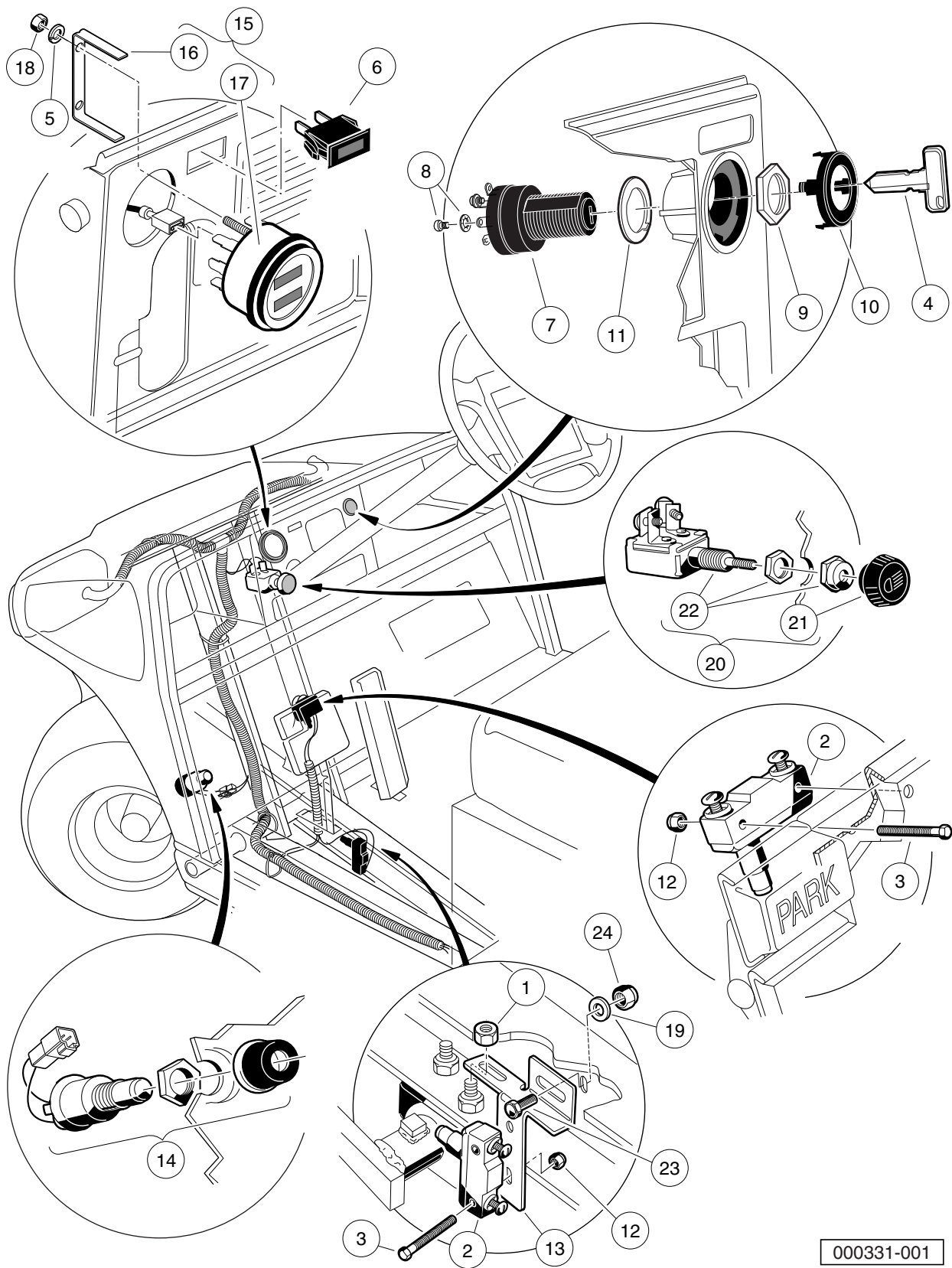
CONTROLS AND INDICATORS – GASOLINE CARRYALL 6

ITEM	PART NO.	DESCRIPTION	QTY
		1 2 3 4	
1	1011280	Locknut, 5/16-18	1
2	1011439	Switch, Limit	2
3	1011557	Screw, #6-32 X 1.00 Hex-Head Machine	4
4	1012505	Keys (set of 2)	1
5	1012986	Lockwasher, M4	2
6	1016630	Light, Oil	1
7	101826401	Key Switch, 12-Volt, Off/On/Start	1
8	101830601	Screw and Washer Assembly	5
9	101830701	Nut, Key Switch	1
10	101834502	Cap, Black Key Switch	1
11	101851101	Washer, Key Switch	1
12	101932201	Locknut, #6-32 Nylon	4
13	101957101	Bracket, Brake Light Switch	1
14	101969701	Horn Button and Wire Assembly	1
15	101990703	Gauge, Fuel/Hour, with Bracket (includes items 16 and 17)	1
16	102025901	Bracket, Fuel Gauge/Hour Meter	1
17	N/A	Gauge, Fuel/Hour	1
18	101991101	Nut, M4-0.7	2
19	1241	Washer, 5/16 Type A Flat	1
20	4034	Light Switch (includes items 21 and 22)	1
21	1013857	Knob, Light Switch	1
22	1013858	Switch, Light Without Knob	1
23	7173	Screw, 5/16-18 X 0.75 Hex-Head Cap	1
24	7473	Locknut, 5/16-18 Nylon Insert	1

6

G

6
G



000331-001

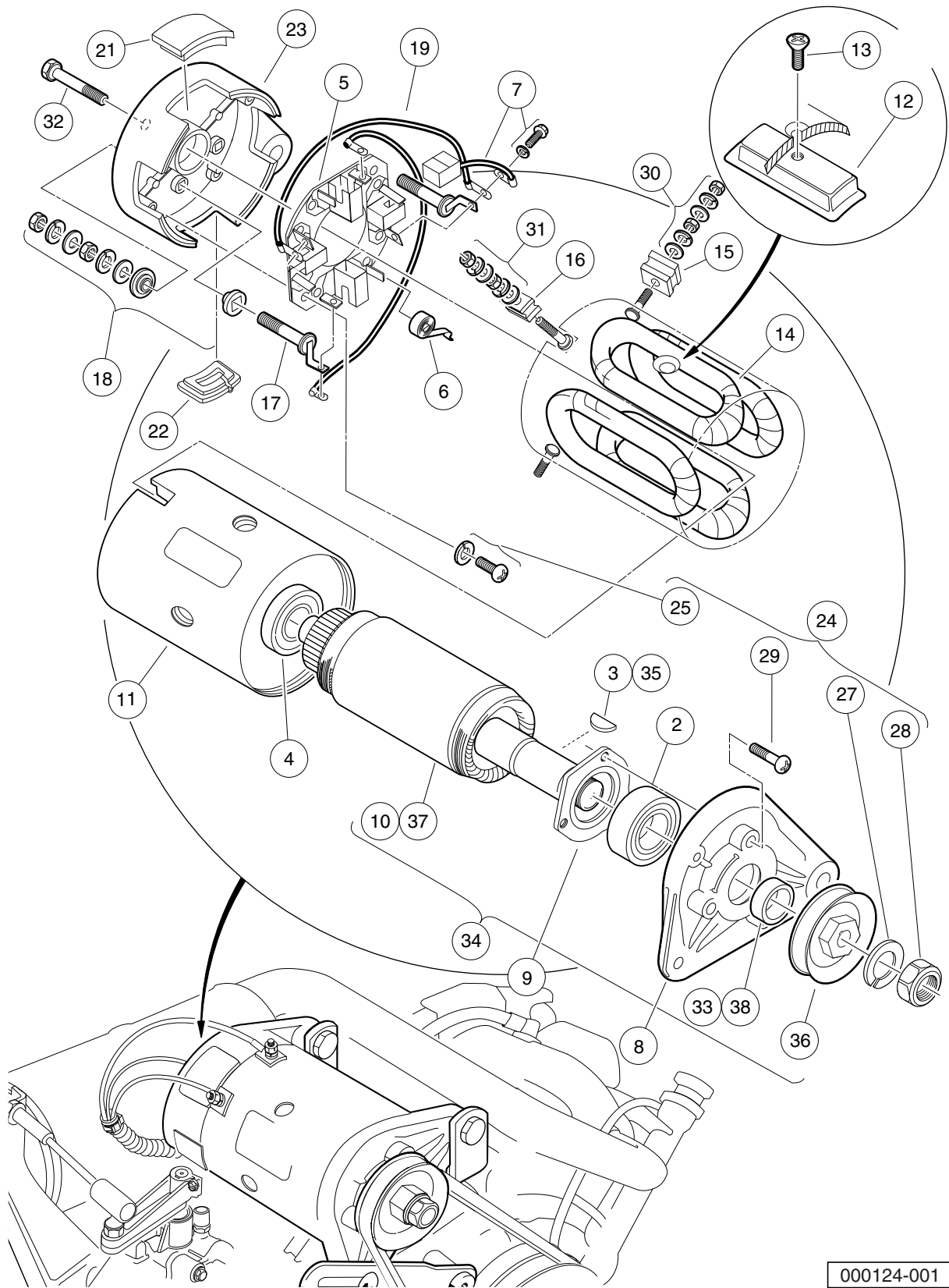
CONTROLS AND INDICATORS – GASOLINE TURF 6

ITEM	PART NO.	DESCRIPTION	QTY
		1 2 3 4	
1	1011280	Locknut, 5/16-18	1
2	1011439	Switch, Limit	2
3	1011557	Screw, #6-32 X 1.00 Hex-Head Machine	4
4	1012505	Keys (set of 2)	1
5	1012986	Lockwasher, M4	2
6	1016630	Light, Oil	1
7	101826301	Key Switch, 12-Volt, Off/On	1
8	101830601	Screw and Washer Assembly	5
9	101830701	Nut, Key Switch	1
10	101834502	Cap, Black Key Switch	1
11	101851101	Washer, Key Switch	1
12	101932201	Locknut, #6-32 Nylon	4
13	101957101	Bracket, Brake Light Switch	1
14	101969701	Horn Button and Wire Assembly	1
15	101990703	Gauge, Fuel/Hour, with Bracket (includes items 16 and 17)	1
16	102025901	Bracket, Fuel Gauge/Hour Meter	1
17	N/A	Gauge, Fuel/Hour	1
18	101991101	Nut, M4-0.7	2
19	1241	Washer, 5/16 Type A Flat	1
20	4034	Light Switch (includes items 21 and 22)	1
21	1013857	Knob, Light Switch	1
22	1013858	Switch, Light Without Knob	1
23	7173	Screw, 5/16-18 X 0.75 Hex-Head Cap	1
24	7473	Locknut, 5/16-18 Nylon Insert	1

6

G

6
G

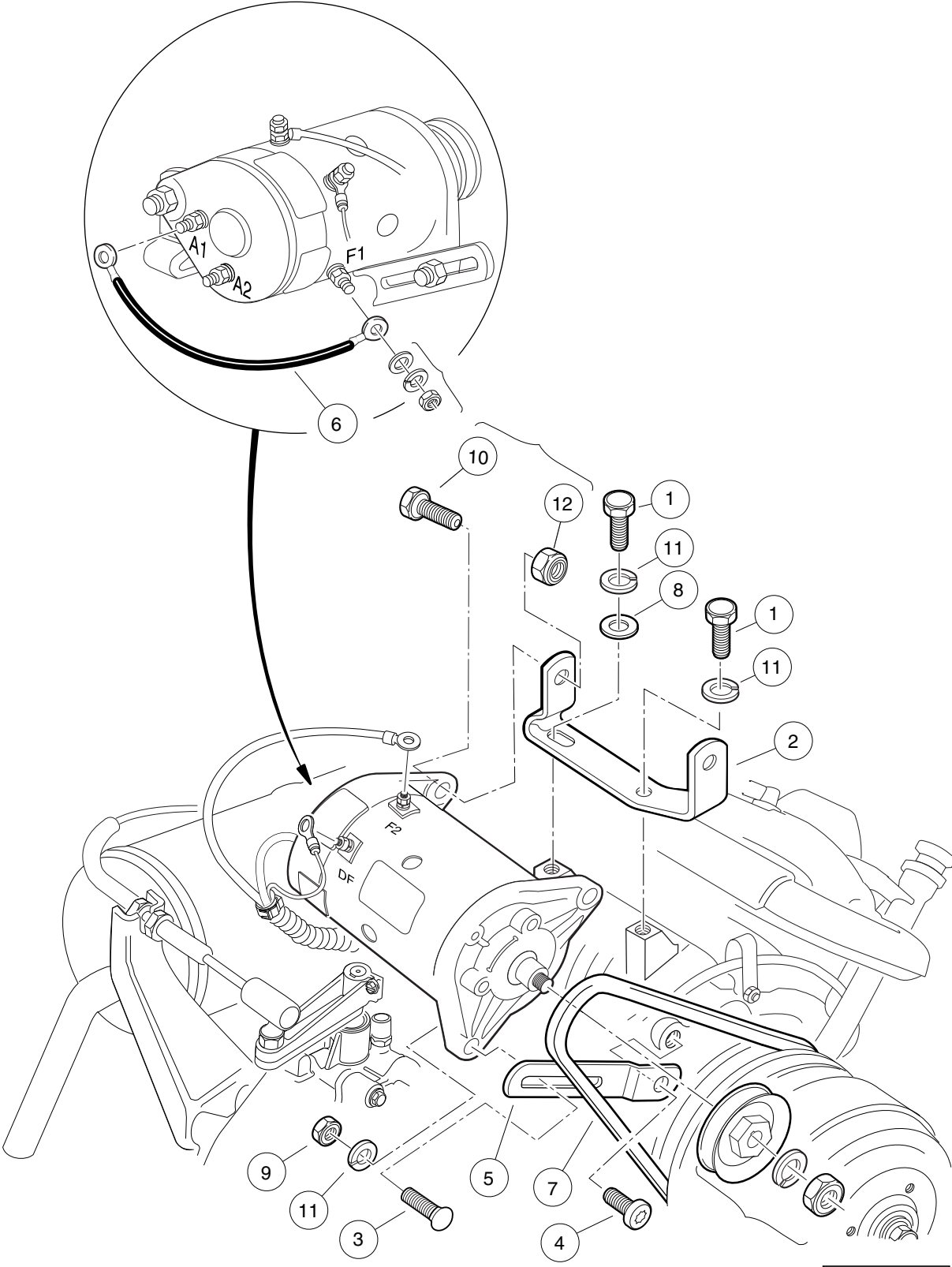


000124-001

STARTER/GENERATOR ASSEMBLY MODEL G425419 – GASOLINE VEHICLES

ITEM	PART NO.	DESCRIPTION	QTY
		1 2 3 4	
1	101833701	Starter/Generator (cw) (includes items 2 through 33)	1
2	1013001	Bearing, Output Shaft Ball	1
3	1013003	Key, Starter/Generator	1
4	1013005	Bearing, Ball	1
5	101301102	Brush Holder Assembly (cw) (includes item 6)	1
6	101878101	Brush Spring Set	4
7	101869302	Brush and Screw Set (cw)	1
8	101874901	Front Bracket	1
9	101875001	Retainer	1
10	101875101	Armature	1
11	101875201	Field Coil Housing	1
12	101875301	Pole Set	1
13	101875401	Screw Set	1
14	101875501	Field Stator Coil Assembly	1
15	101875601	F Insulator Set	2
16	101875701	DF Insulator	1
17	101875802	A Connector (cw)	1
18	101876001	Screw and Mold Assembly	2
19	101876202	Brush Connector Assembly (cw)	2
20	101876301	Cover Set (includes items 21 and 22)	1
21	1012991	Brush Inspection Port Cover	3
22	1017653	Brush Port Cover w/Drain	1
23	101876402	Rear Bracket (cw)	1
24	101876501	Nut and Screw Set (includes items 25 through 29)	1
25	101896501	Brush Holder Asm Screw	2
26	N/A	Washer, M5 Flat	1
27	N/A	Washer, M14 Lock	1
28	N/A	Nut, Hex, M14 x 2	1
29	N/A	Screw, M5 x 0.8 x 18mm	3
30	101877601	Nut and Washer Set	2
31	101877701	Nut and Washer Set	1
32	101879001	Through Bolt Set	2
33	101939901	Spacer	1
34	101875102	Armature Asm Conversion Kit (includes items 35 through 38)	1
35	1013003	Key, Starter/Generator	1
36	1014289	Pulley, Starter/Generator	1
37	101875101	Armature	1
38	101939901	Spacer	1
Note: Item 36 will ONLY fit Model G425419 Starter/Generator.			

6
G



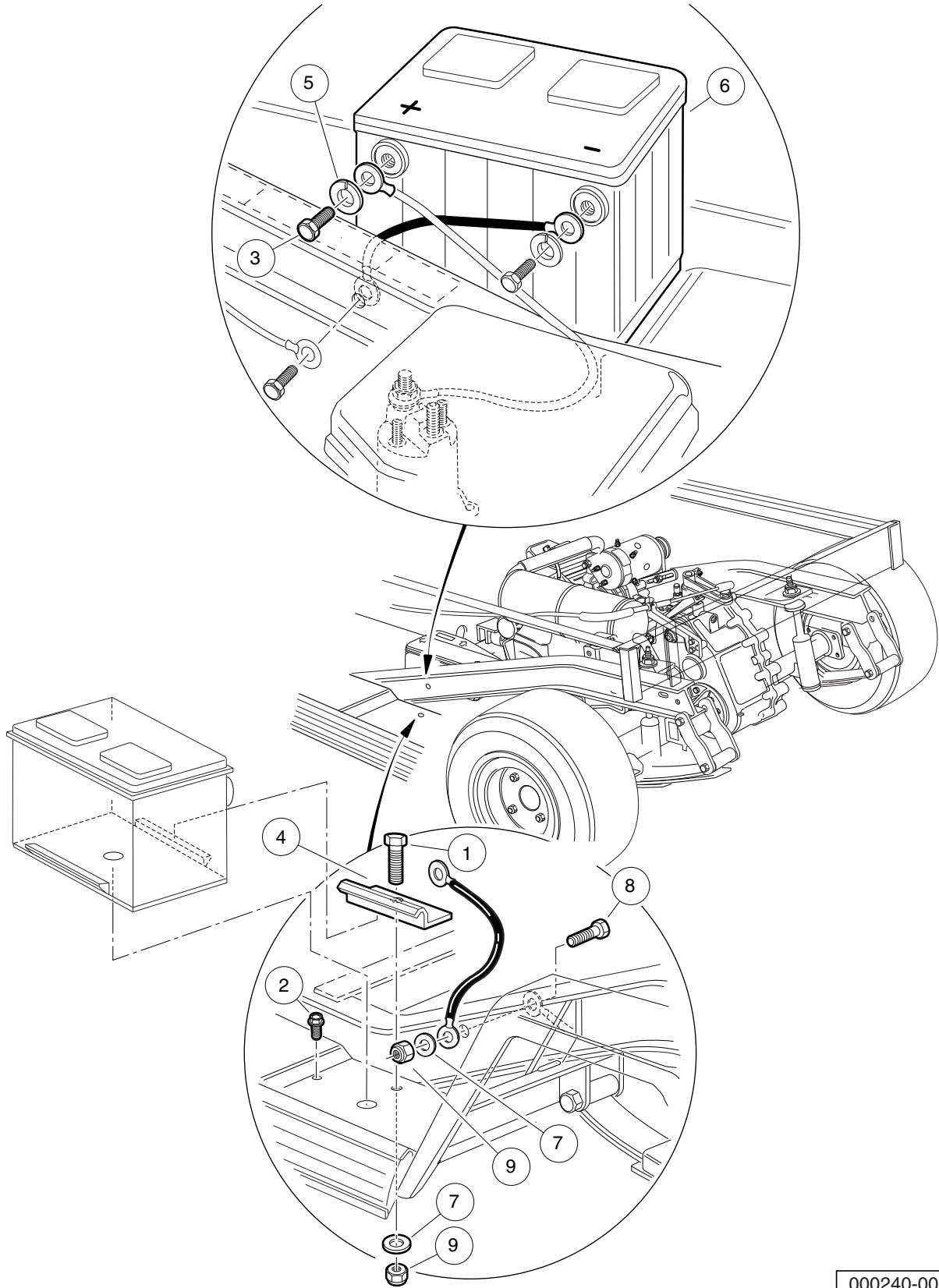
000239-001

STARTER/GENERATOR MOUNTING – TURF/CARRYALL 2, 252, 2 XRT, 6, AND CARRYALL 2 PLUS VEHICLES

ITEM	PART NO.	DESCRIPTION	QTY
		1 2 3 4	
1	1012830	Screw, M8-125 X 22 Hex-Head	2
2	101524002	Bracket, Starter/Generator Mounting	1
3	1015932	Bolt, Carriage, 5/16-18	1
4	1016074	Screw, M8-1.25 X 18mm Torx	1
5	1016883	Bracket, Starter/Generator Adjustment	1
6	101837301	Wire Assy, #6 Green	1
7	101916701	V-Belt	1
8	1241	Washer, 5/16 Type A Flat	1
9	1242	Nut, 5/16-18 Hex	1
10	705	Screw, Cap-hex Hd 3/8-16x1.25	2
11	7174	Lockwasher, 5/16 Split	3
12	8754	Locknut, 3/8-16 Hex	2

6
G

6
G



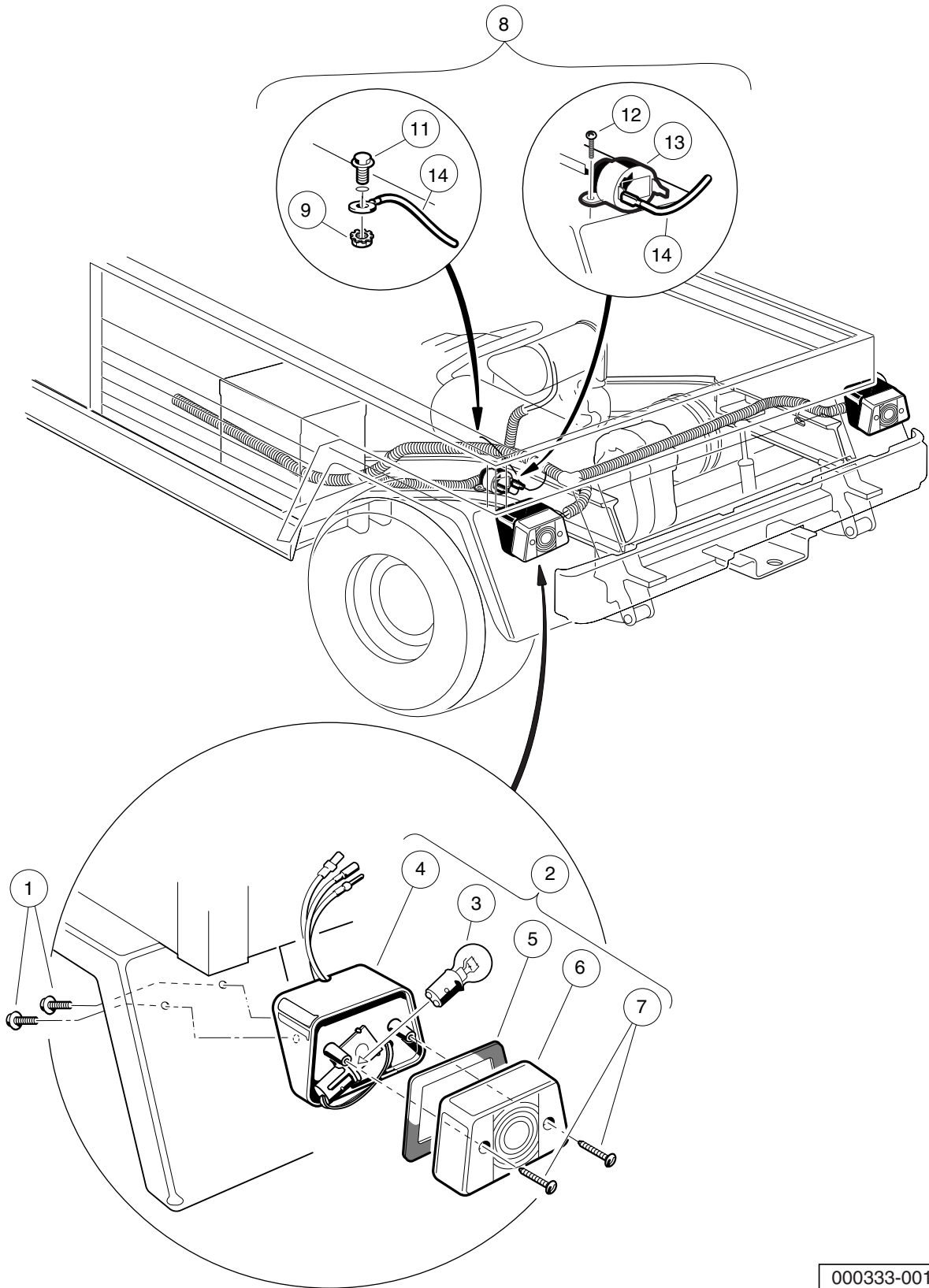
000240-001

BATTERY – GASOLINE VEHICLE

ITEM	PART NO.	DESCRIPTION	QTY
		1 2 3 4	
1	1010934	Screw, 5/16-18 X 1.00 Hex Cap	1
2	1014288	Screw, 5/16-18 X 0.75 Thread-Forming	1
3	1014375	Screw, 3/8-16 X 0.50 Stainless Steel Hex-Head	2
4	101898001	Clamp, Battery	1
5	102355301	Lockwasher, #10 Split Ss	2
6	N/A	Battery, Start, 12v	1
7	1241	Washer, 5/16 Type A Flat	2
8	7173	Screw, 5/16-18 X 0.75 Hex-Head Cap	1
9	7473	Locknut, 5/16-18 Nylon Insert	2

6
G

6
G



000333-001

ELECTRICAL COMPONENTS, REAR BODY – GASOLINE TURF/CARRYALL 6

ITEM	PART NO.	DESCRIPTION	QTY
		1 2 3 4	
1	1015752	Screw, #12-16 X 0.625 Hi-Lo	4
2	1016717	Light Assembly, Stop/Taillight (includes items 3 through 7)	2
3	1011582	Taillight Bulb	1
4	N/A	Housing, Taillight	1
5	N/A	Gasket, Taillight	1
6	N/A	Lens, Taillight	1
7	N/A	Screw, Taillight Lens	2
8	1016859	Kit, Reverse Buzzer (includes items 9 through 17)	1
9	1011229	Locknut, #6-32 Whiz	1
10	1012431	Washer, #4 Flat	2
11	1015720	Screw, #6-32 X 1/2 Hex Washer-Head	1
12	1016849	Screw, #4-24 X 0.33 Pan-Head Machine	2
13	1016851	Buzzer, Reverse (9-48 VDC)	1
14	1016857	Wire Assembly Black #18	1
15	8056	Screw, #4-40 X 0.75 Round-Head Machine	2
16	8057	Nut, #4-40 Hex Machine	2
17	8058	Lockwasher, #4 Split	2
		Note: Items 10, and 15 through 17 are included in the reverse buzzer kit, but are not used in this application.	

6
G

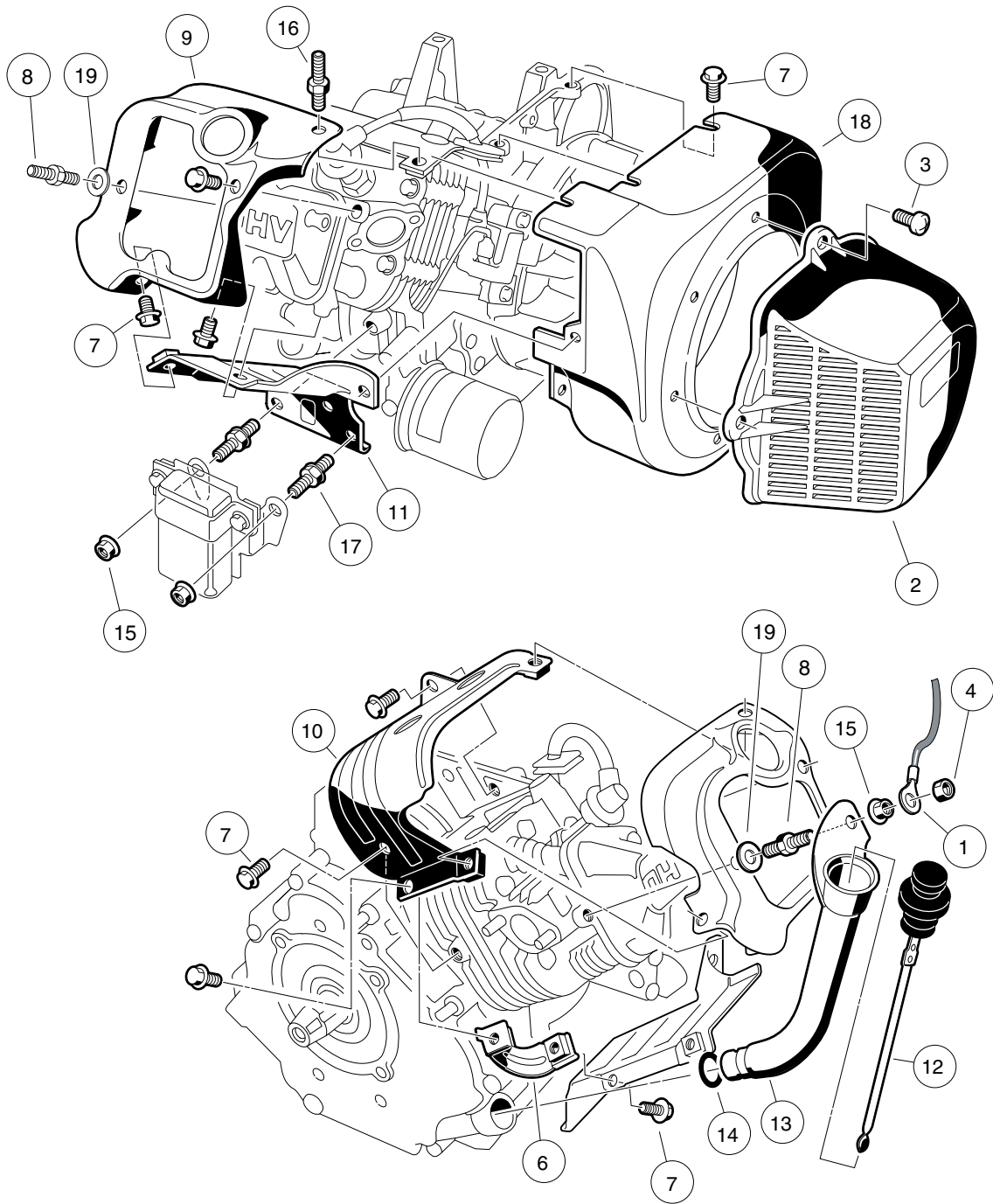
6

G

FE290 ENGINE (PEDAL-START VEHICLES)

7

G

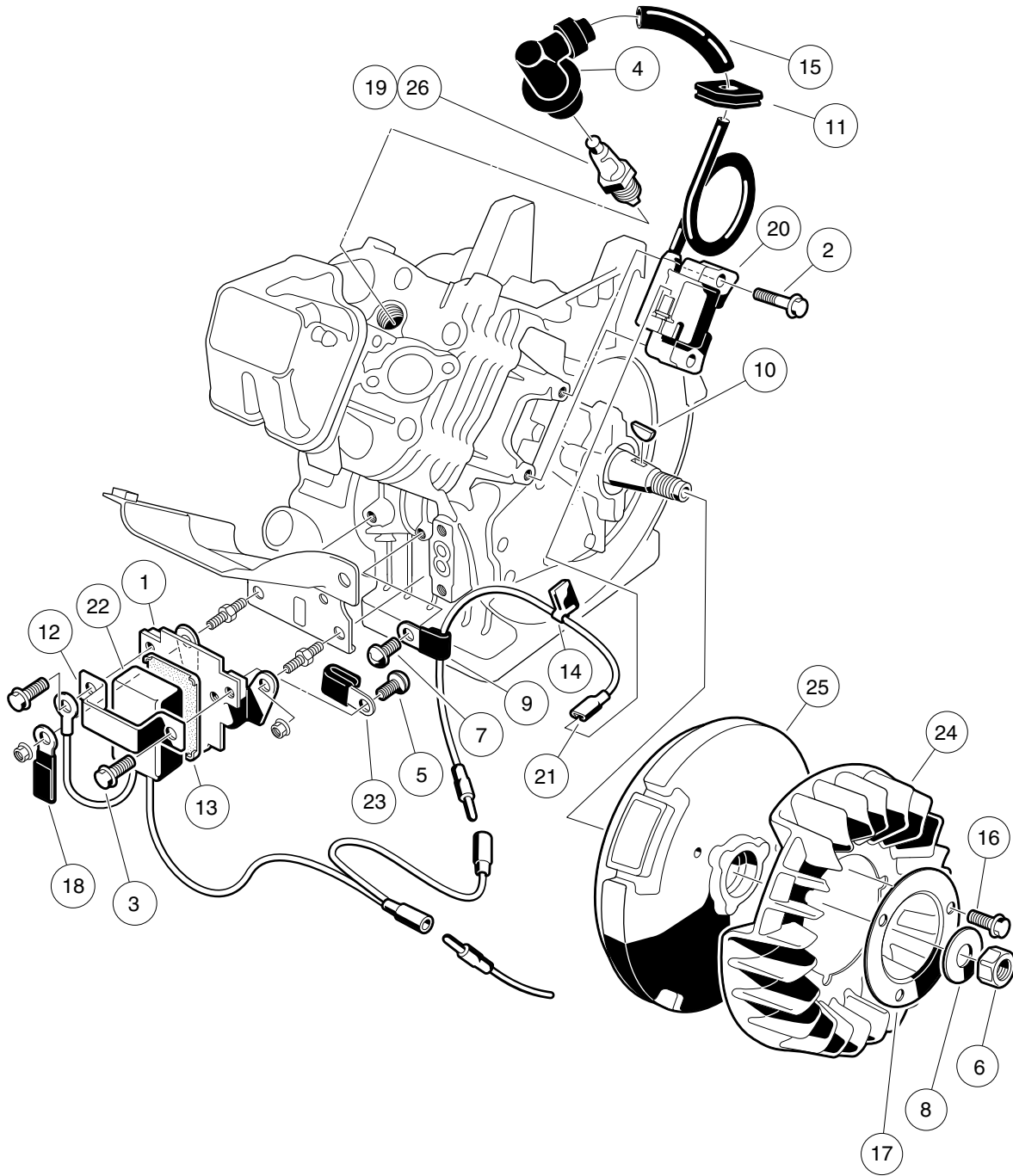


000194-001

FE290 ENGINE – SHROUDS AND BRACKETS

ITEM	PART NO.	DESCRIPTION	QTY
		1 2 3 4	
1	1015332	Wire Assembly, #10, Uninsulated	1
2	1015649	Shroud, Fan	1
3	1015969	Screw, M6-1.00 X 10mm Pan Hd	4
4	101887601	Locknut, M6-1.00 Nylon Insert	1
5	101953901	Engine, FE290 (cw) * (includes items 6 through 19)	1
6	1016443	Bracket	1
7	1016456	Bolt, Flange Head, M6 x 1 x 12 mm	15
8	1016507	Bolt, Two-Ended	1
9	1016524	Shroud, Engine, FE290D	1
10	1016525	Shroud, Engine, FE290D	1
11	1016526	Shroud, Engine, FE290D	1
12	1016531	Dipstick	1
13	1016536	Tube, Oil Filler, FE290D	1
14	1016539	O-Ring	1
15	1016547	Nut, M6 Flange	3
16	1017221	Screw, M6-1.00 Stud	1
17	101909701	Stud, M6-1.00, Two-Ended	2
18	101915601	Housing, FE290 Fan	1
19	N/A	Washer, 6 mm Flat	1
		 * Note: FE290 engine component listings span several pages.	

7
G



000195-001

FE290 ENGINE – IGNITION COMPONENTS AND FLYWHEEL

ITEM	PART NO.	DESCRIPTION	QTY
		1 2 3 4	
1	1016445	Bracket, RPM Limiter	1
2	1016455	Bolt, Flange Head	2
3	1016456	Bolt, Flange Head, M6 x 1 x 12 mm	2
4	1016493	Cap, Spark Plug	1
5	1016497	Screw, Pan WP Cross	1
6	1016505	Nut, Hex, Fine	1
7	1016544	Screw	1
8	1016548	Washer, M16 Flat	1
9	1016561	Clamp	1
10	1016562	Key	1
11	1016578	Ignition, Grommet	1
12	1016579	Band, RPM Limiter Mount	1
13	1016586	Damper, RPM Limiter	1
14	1016587	Clamp	1
15	1016588	Tube, 7mm X 10mm X 70mm	1
16	1017448	Bolt, Flanged	3
17	1017455	Plate, Flywheel Fan	1
18	1017468	Clamp	1
19	101881101	Spark Plug, OHV (Autolite)	1
20	101909201	Coil, Ignition	1
21	101909301	Lead Wire Assy	1
22	101909401	Limiter, RPM	1
23	101909501	Clamp, Steel	1
24	101915801	Fan, FE290 (cw)	1
25	101929301	Flywheel, Complete	1
26	AM10724	Spark Plug, OHV (NGK)	1

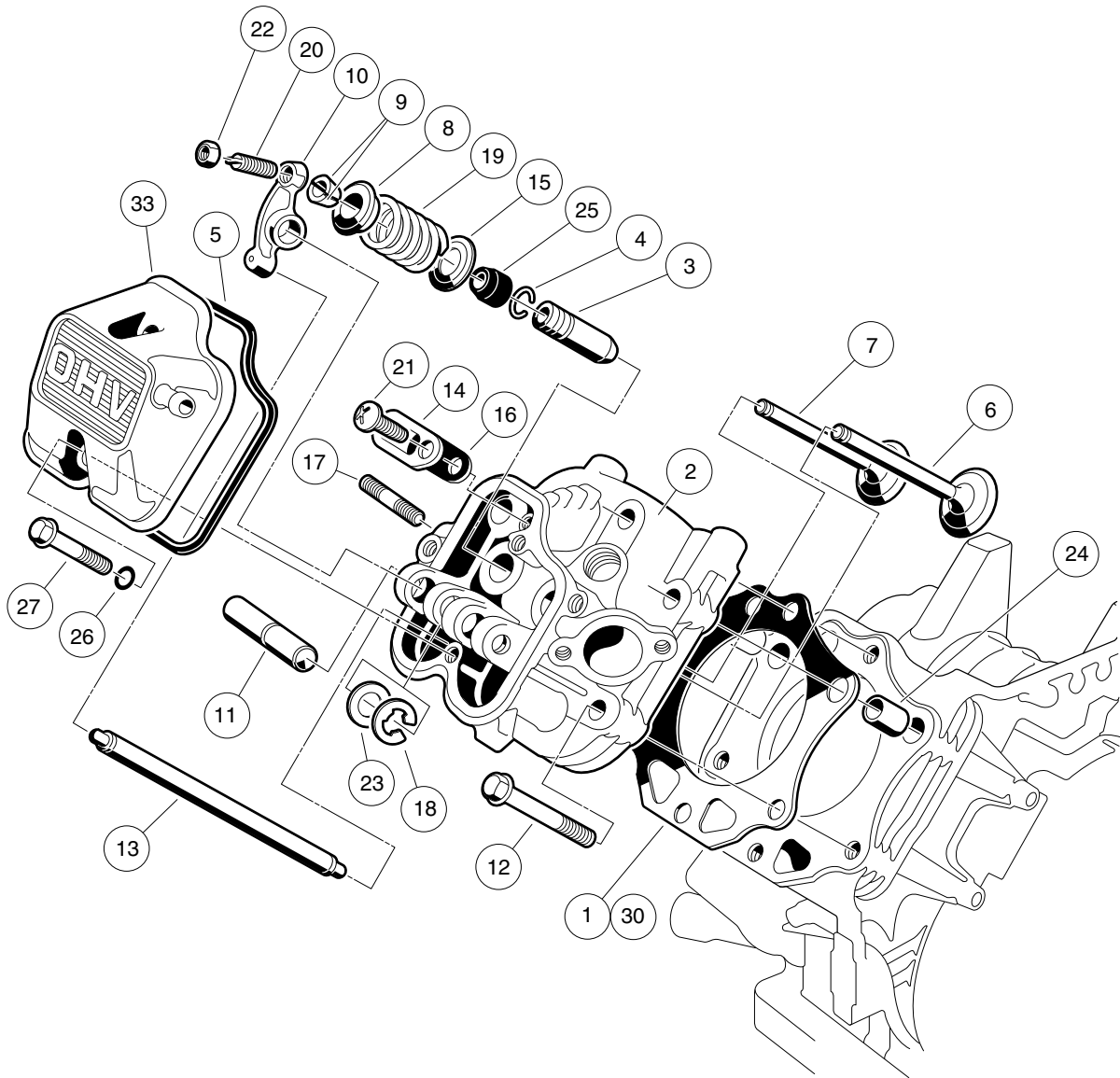
7
G

FE290 ENGINE – OIL CIRCULATION

ITEM	PART NO.	DESCRIPTION	QTY
		1 2 3 4	
1	1016429	Seat, Value Oil Press Relief	1
2	1016432	Gasket, Drain Plug	1
3	1016435	Gasket, Oil Pump	1
4	1016457	Bolt, Flange Head	2
5	1016467	Filter, Oil	1
6	1016473	Plate, Oil Pump	1
7	101648203	Oil Pump And Rotor	1
8	1016484	Cover, Pump	1
9	1016502	Bracket, Oil Filter Mount	1
10	1016537	Ball, Steel, Press, Relief	1
11	1016570	O-Ring	1
12	1016576	Plug, Drain	1
13	1016581	Spring	1
14	1017456	Bolt, Flanged	6
15	1017507	Plug	2

7

G



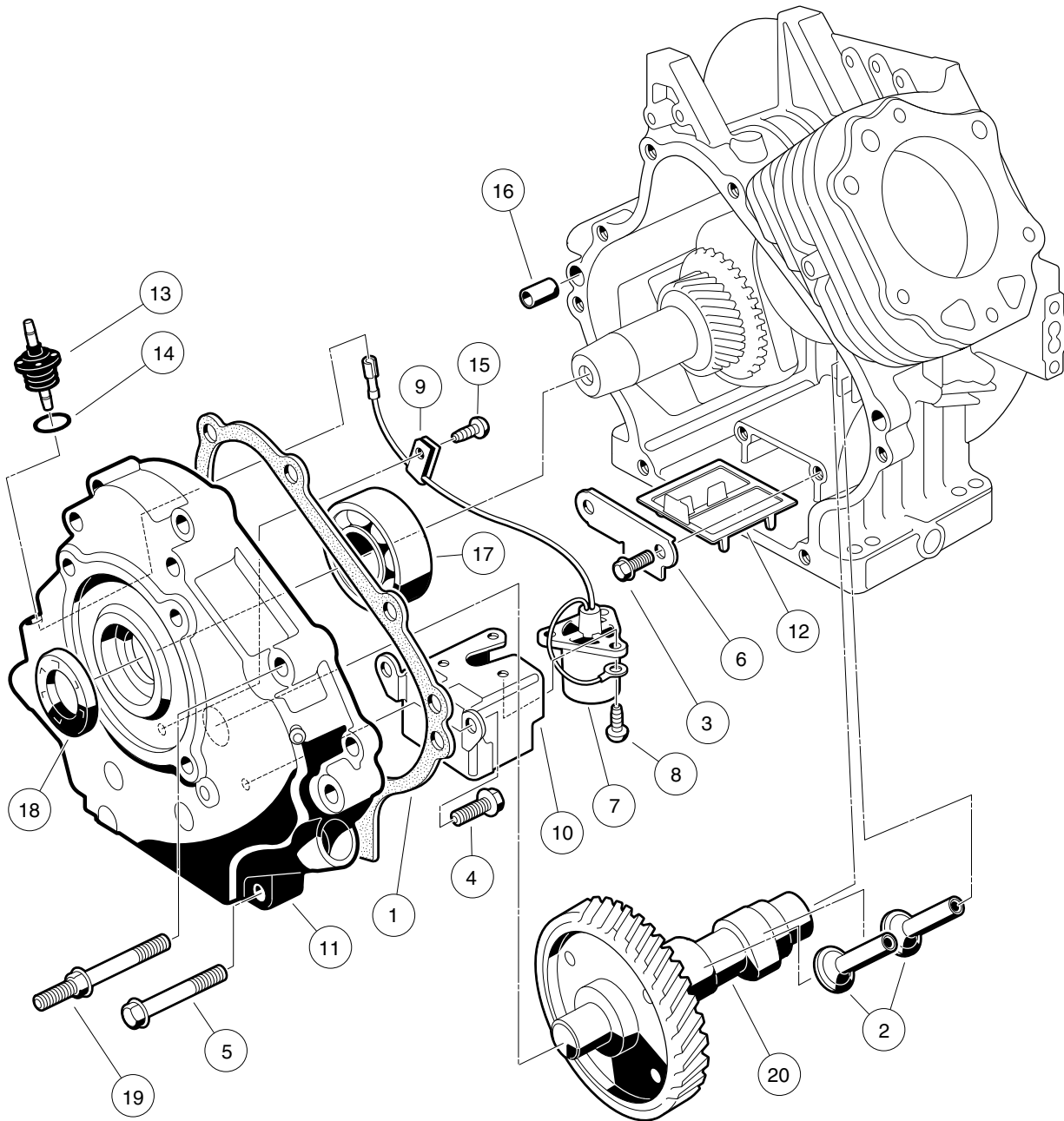
000197-001

FE290 ENGINE – CYLINDER HEAD

ITEM	PART NO.	DESCRIPTION	QTY
		1 2 3 4	
1	1016430	Gasket, Head, FE290	1
2	1016431	Head Assembly, FE290 Cylinder (includes items 3 and 4)	1
3	1016519	Guide, Valve	2
4	1016560	Snap Ring	2
5	1016436	Gasket, Rocker Case	1
6	1016447	Valve, Intake	1
7	1016448	Valve, Exhaust	1
8	1016449	Retainer, Valve Spring	2
9	1016450	Collet	4
10	1016451	Arm, Rocker	2
11	1016452	Shaft, Rocker	1
12	1016458	Bolt, Flange Head, M8 x 1.25 x 45 mm	6
13	1016471	Rod, Push	2
14	1016474	Plate	1
15	1016479	Seat, Spring	2
16	1016483	Valve	1
17	1016489	Stud, Two-Ended, M8-1.25	2
18	1016517	Circlip, Type-E	1
19	1016523	Spring, Engine Valve	2
20	1016542	Screw	2
21	1016544	Screw	1
22	1016545	Nut	2
23	1016549	Washer, 12.1x19x1.8	1
24	1016563	Pin	2
25	1016566	Seal, Oil	2
26	1016569	O-Ring	2
27	1016583	Bolt, 6x35	2
28	102304701	Kit, Gasket, FE290 (includes items 29 through 32)	1
29	1015330	Gasket, Exhaust	1
30	1016430	Gasket, Head, FE290	1
31	1016440	Gasket, Engine to Insulator	1
32	1016446	Gasket, Crankcase Cover	1
33	102753401	Case, Rocker	1

7

G



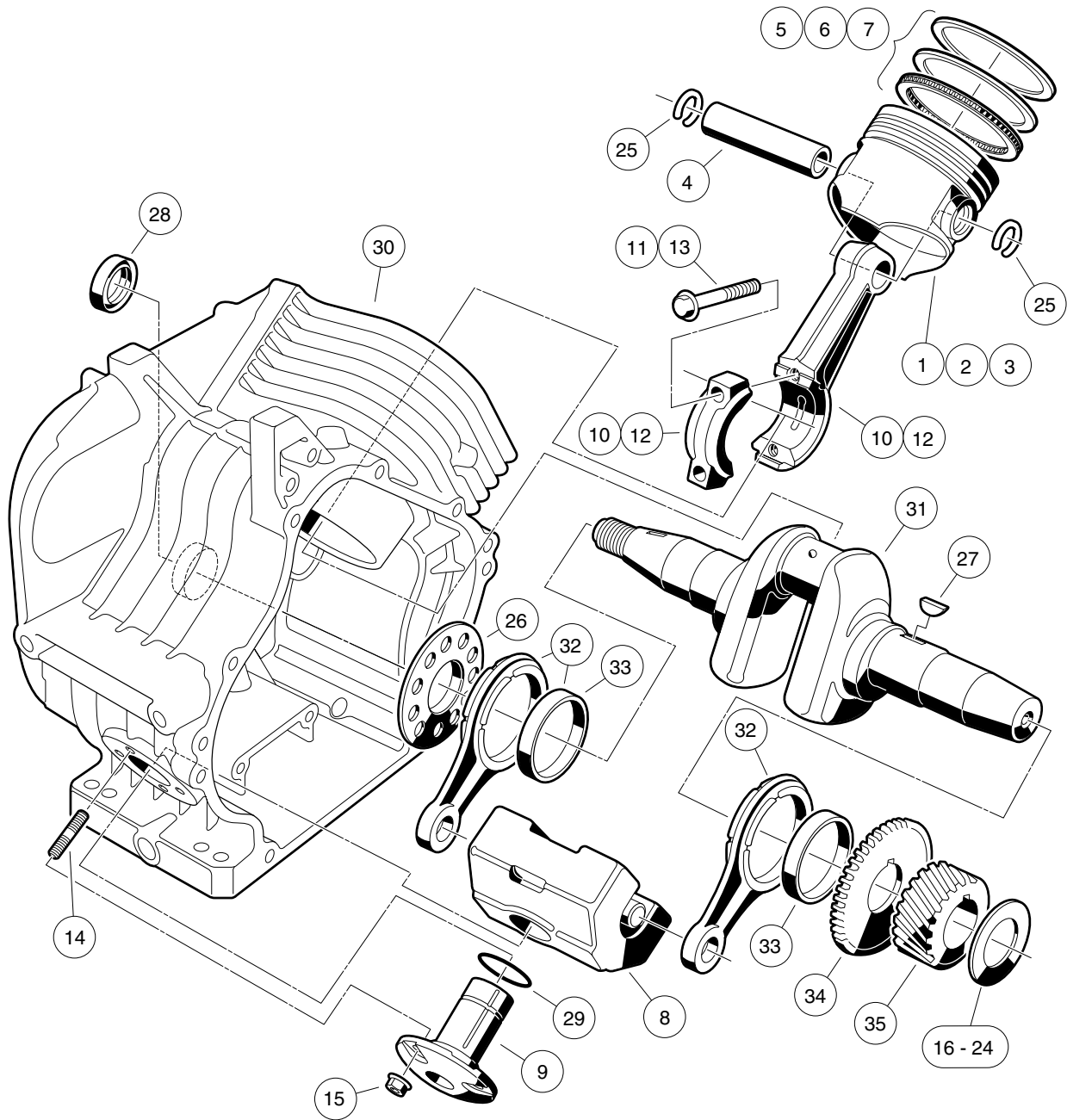
000198-001

FE290 ENGINE – CRANKCASE, CAMSHAFT, AND OIL SENSOR

ITEM	PART NO.	DESCRIPTION	QTY
		1 2 3 4	
1	1016446	Gasket, Crankcase Cover	1
2	1016453	Tappet	2
3	1016454	Bolt, Flange Head, M5 x 0.8 x 8 mm	2
4	1016456	Bolt, Flange Head, M6 x 1 x 12 mm	2
5	1016458	Bolt, Flange Head, M8 x 1.25 x 45 mm	6
6	1016472	Plate, Oil Filter Screen	1
7	1016494	Sensor, Oil Level	1
8	1016496	Screw, Cross Pan-Head, M4 x 0.7 x 8 mm	3
9	1016506	Clamp	1
10	1016510	Bracket, Switch, Oil Level	1
11	1016520	Cover, Crankcase	1
12	1016521	Screen, Oil Filter	1
13	1016535	Connector, Cord	1
14	1016538	O-Ring	1
15	1016544	Screw	1
16	1016564	Pin	2
17	1016565	Bearing, Ball	1
18	1016567	Seal, Crankshaft	1
19	1016584	Bolt, Two-Ended, M8 x 1.25 x 69 mm	2
20	101915401	Camshaft Complete, FE290	1

7

G



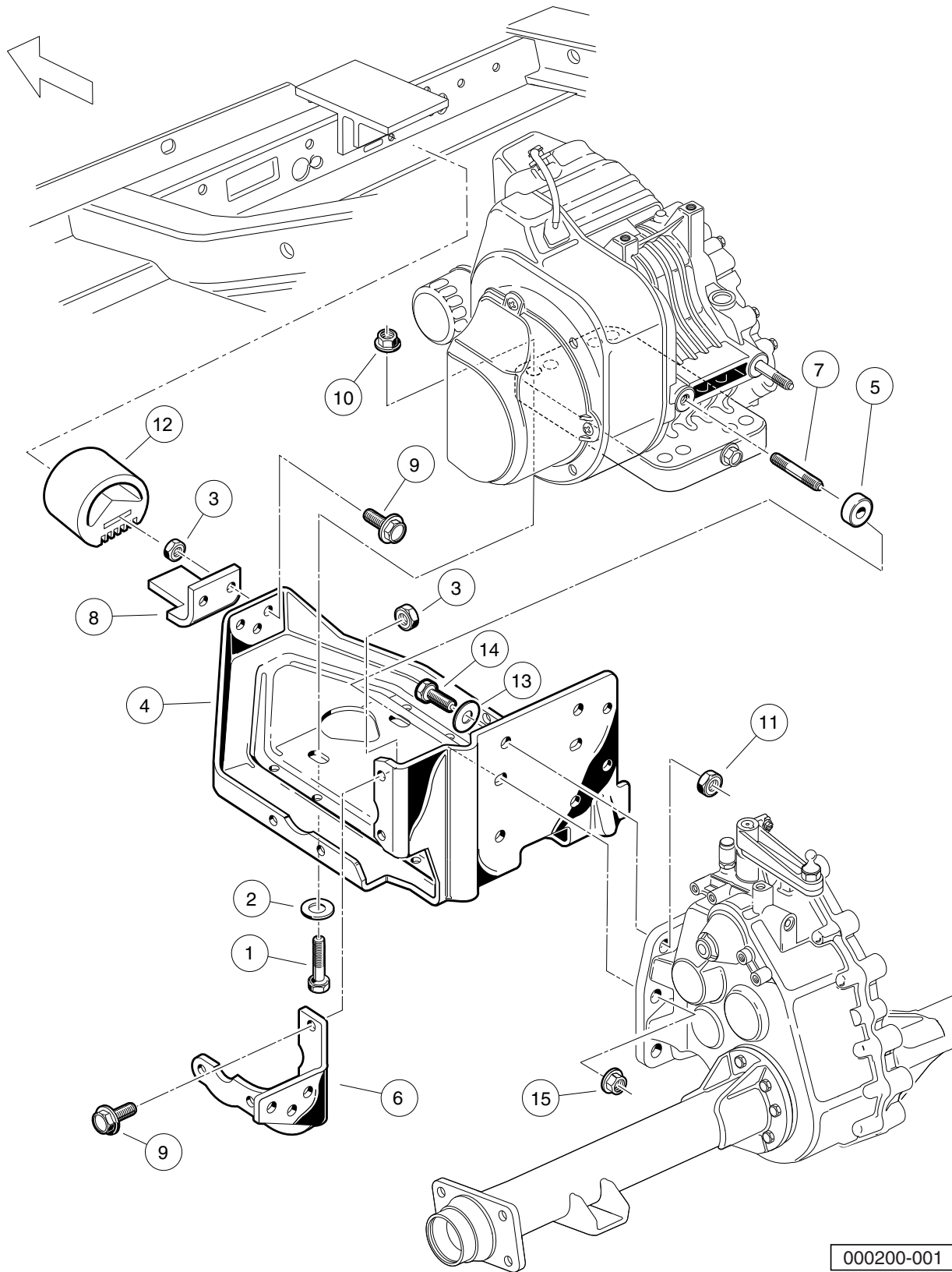
000199-001

FE290 ENGINE – CRANKCASE AND CRANKSHAFT

ITEM	PART NO.	DESCRIPTION	QTY
		1 2 3 4	
1	101645901	Piston	1
2	101645902	Piston, Engine 0.25 mm Over	1
3	101645903	Piston, Engine 0.50 mm Over	1
4	1016460	Pin, Piston	1
5	101646101	Ring Set, Piston	1
6	101646102	Ring Set, Piston 0.25 mm Over	1
7	101646103	Ring Set, Piston 0.50 mm Over	1
8	1016469	Weight, Counterbalance	1
9	1016470	Shaft, Guide, Counterbalance	1
10	101647501	Rod Assembly (includes item 11)	1
11	1016509	Bolt	2
12	101647502	Rod Assembly, Connecting 0.50 mm Under (includes item 13)	1
13	1016509	Bolt	2
14	1016541	Stud, 6x14	4
15	1016547	Nut, M6 Flange	4
16	101655001	Shim, Crankshaft T=1.13	1
17	101655002	Shim, Crankshaft T=1.18	1
18	101655003	Shim, Crankshaft T=1.23	1
19	101655004	Shim, Crankshaft T=1.28	1
20	101655005	Shim, Crankshaft T=1.33	1
21	101655006	Shim, Crankshaft T=1.38	1
22	101655007	Shim, Crankshaft T=1.43	1
23	101655008	Shim, Crankshaft T=1.48	1
24	101655009	Shim, Crankshaft T=1.53	1
25	1016558	Ring, Snap	2
26	1016559	Spacer	1
27	1016562	Key	1
28	1016568	Seal, Oil	1
29	1016571	O-Ring	1
30	101915501	Crankcase Complete, FE290 (cw)	1
31	101922301	Crankshaft, FE290 Left-Hand Thread (includes items 32 through 35)	1
32	1016516	Rod (includes item 33)	2
33	1016580	Bearing, Plane	1
34	1016532	Gear, Spur	1
35	1016533	Gear, Helical	1

7
G

7
G



000200-001

FE290 ENGINE MOUNTING – TURF/CARRYALL 1

ITEM	PART NO.	DESCRIPTION	QTY
		1 2 3 4	
1	1010577	Bolt, Hex-Head, 5/16-18 X 1.50	4
2	1012571	Washer, 5/16 Extra Thick Flat	4
3	1013924	Nut, 5/16-24 Hex Head Cone	6
4	101827101	Plate, Engine Mounting	1
5	101832101	Spacer, Powdered Metal	2
6	101832701	Stiffener (Flywheel Side)	1
7	101833201	Stud, M8-1.25 X 60mm Two-Ended	2
8	101834601	Snubber Bracket	1
9	101884801	Screw, 5/16-24 X 0.875 Grade-8	6
10	101963401	Locknut, 5/16-18 Hex Flange	4
11	102065901	Locknut, 3/8-16 Flanged Dimple	4
12	102540301	Inner Frame Snubber	1
13	334	Washer, 3/8 Type A Flat	4
14	705	Screw, Cap-hex Hd 3/8-16x1.25	4
15	96704416	Nut Flg, M8 X 1.25 Serrated	2

7
G

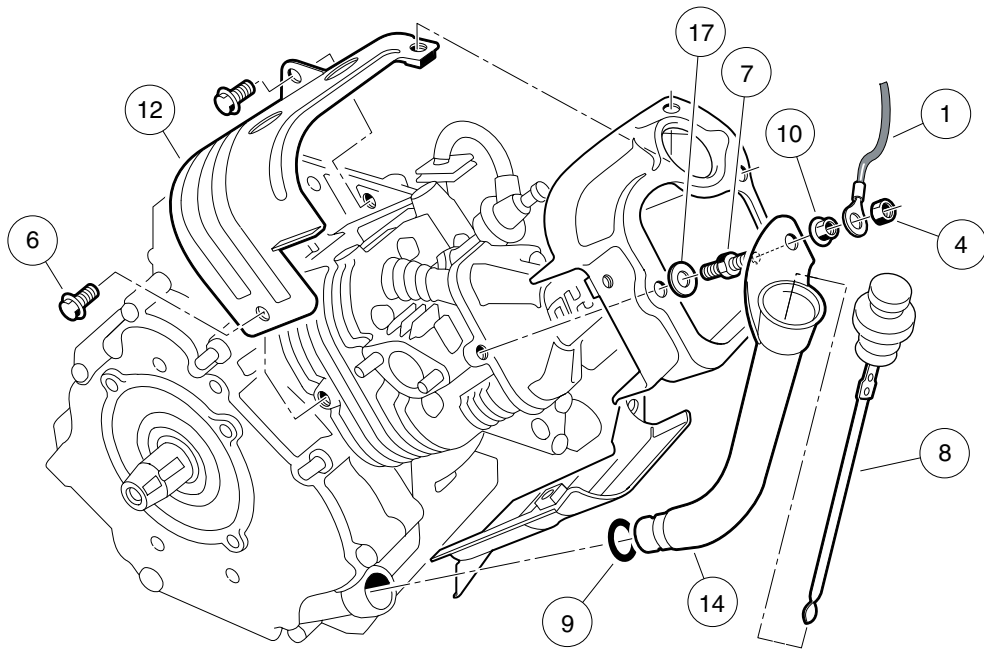
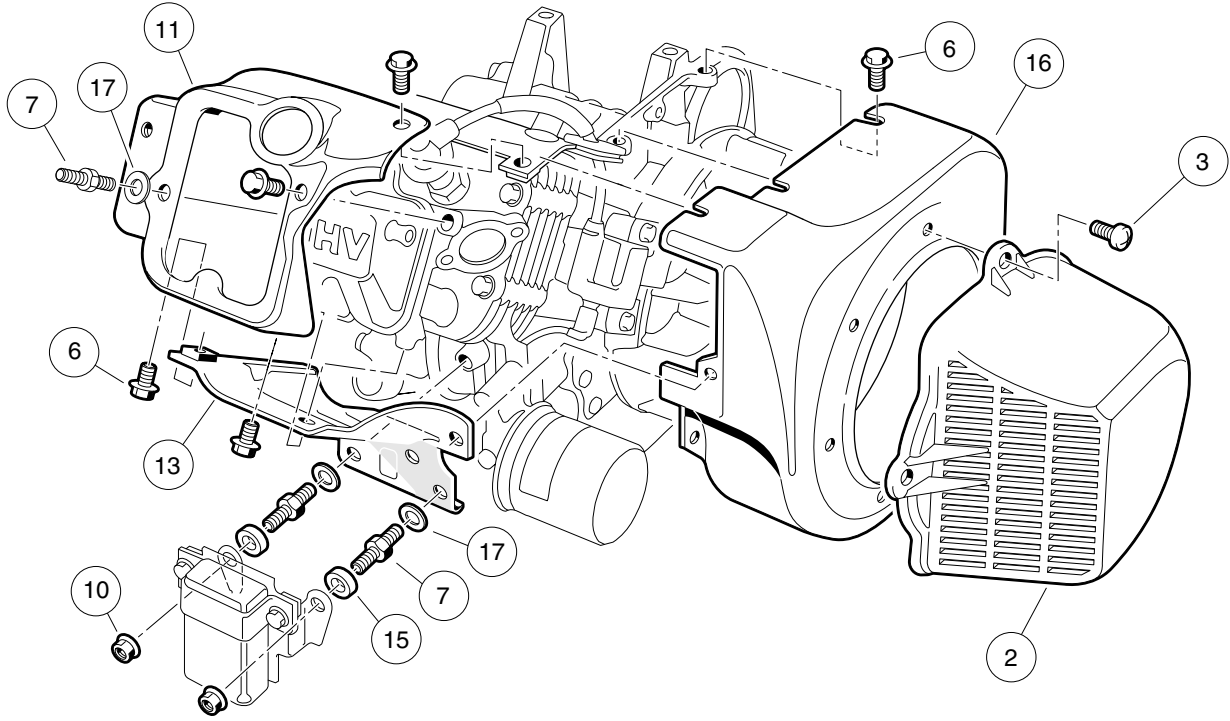
7

G

FE350 ENGINE WITH ACR (KEY-START VEHICLES)

8

G

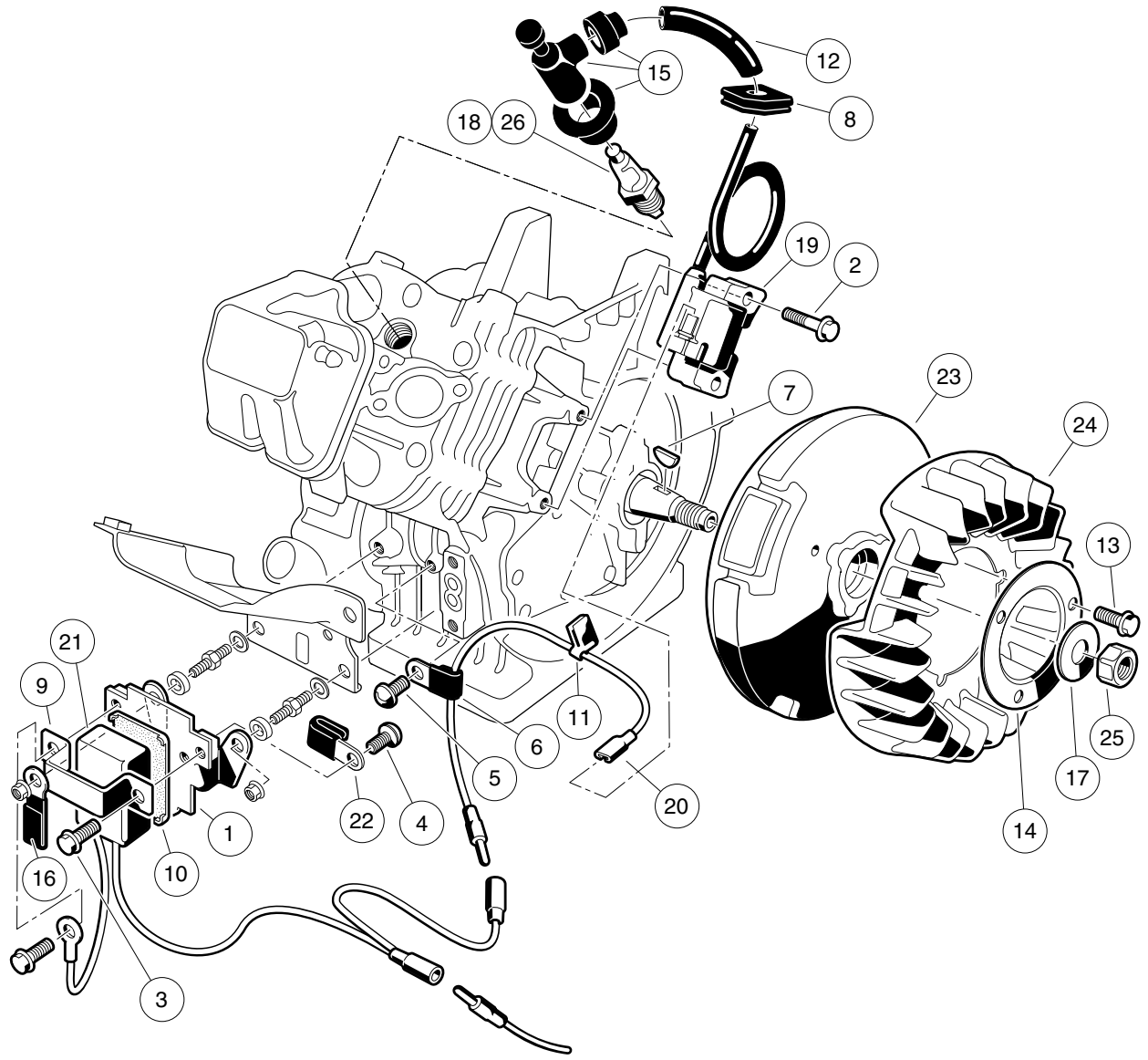


000201-001

FE350 ENGINE WITH ACR (AUTOMATIC COMPRESSION RELEASE) – SHROUDS AND BRACKETS

ITEM	PART NO.	DESCRIPTION	QTY
		1 2 3 4	
1	1015332	Wire Assembly, #10, Uninsulated	1
2	1015649	Shroud, Fan	1
3	1015969	Screw, M6-1.00 X 10mm Pan Hd	4
4	101887601	Locknut, M6-1.00 Nylon Insert	1
5	101953801	Engine, FE350 (cw) with ACR * (includes items 6 through 17)	1
6	1016456	Bolt, Flange Head, M6 x 1 x 12 mm	14
7	1016507	Bolt, Two-Ended	3
8	1016531	Dipstick	1
9	1016539	O-Ring	1
10	1016547	Nut, M6 Flange	3
11	1017474	Shroud, Engine	1
12	1017475	Shroud, Engine	1
13	1017476	Shroud, Engine	1
14	1017486	Tube, Oil Filler	1
15	1017500	Spacer 6.50 X 12 X 5.5	2
16	101916101	Housing, FE350 Fan	1
17	N/A	Washer, 6mm Flat	3
* Note: FE350 engine component listings span several pages.			

8
G

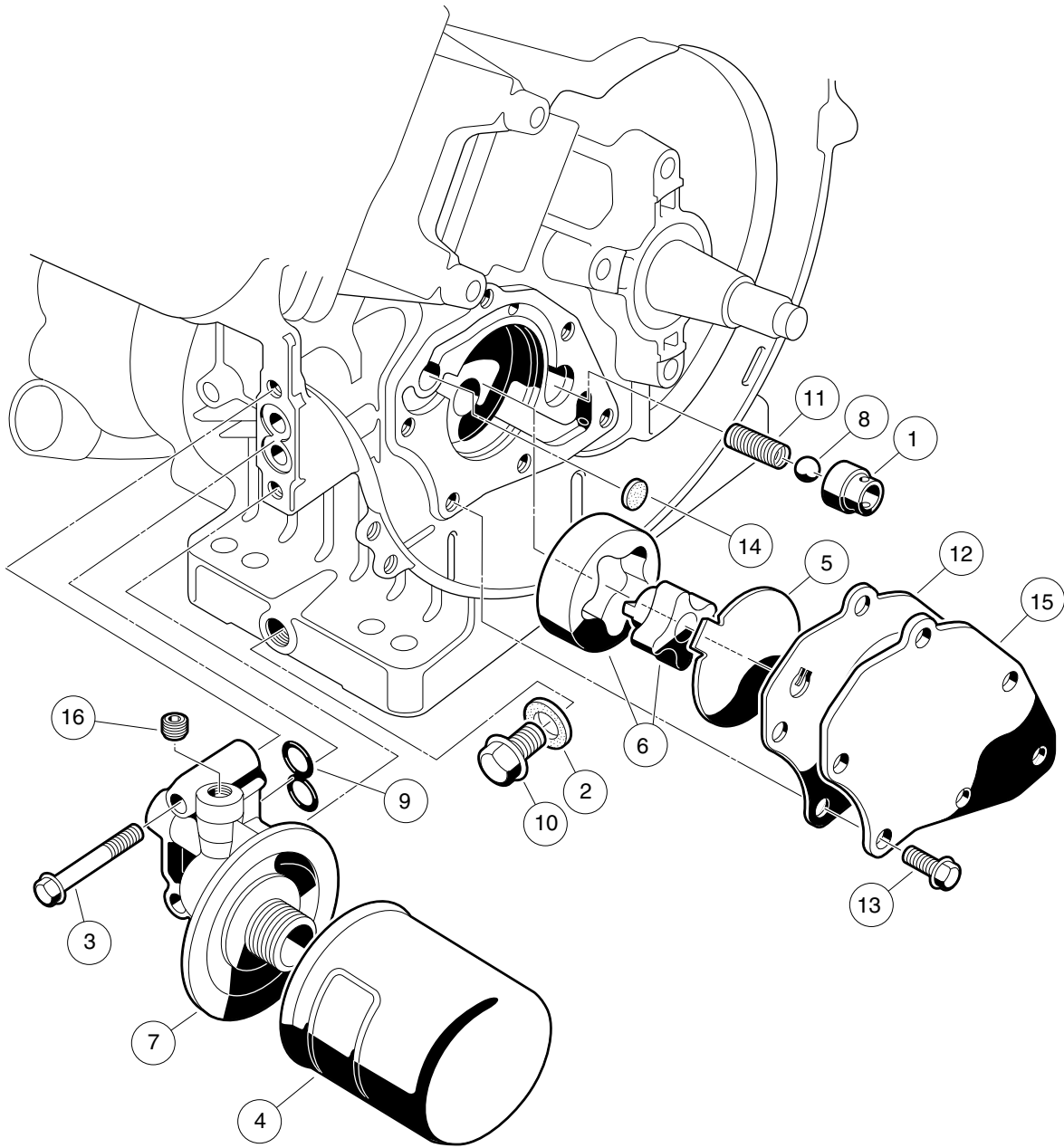


000202-001

AS11 FE350 ENGINE – IGNITION COMPONENTS AND FLYWHEEL

ITEM	PART NO.	DESCRIPTION	QTY
		1 2 3 4	
1	1016445	Bracket, RPM Limiter	1
2	1016455	Bolt, Flange Head	2
3	1016456	Bolt, Flange Head, M6 x 1 x 12 mm	2
4	1016497	Screw, Pan WP Cross	1
5	1016544	Screw	1
6	1016561	Clamp	1
7	1016562	Key	1
8	1016578	Ignition, Grommet	1
9	1016579	Band, RPM Limiter Mount	1
10	1016586	Damper, RPM Limiter	1
11	1016587	Clamp	1
12	1016588	Tube, 7mm X 10mm X 70mm	1
13	1017448	Bolt, Flanged	3
14	1017455	Plate, Flywheel Fan	1
15	1017463	Cap Asm Plug	1
16	1017468	Clamp	1
17	1017490	Washer, Flat	1
18	101881101	Spark Plug, OHV (Autolite)	1
19	101909201	Coil, Ignition	1
20	101909301	Lead Wire Assy	1
21	101909401	Limiter, RPM	1
22	101909501	Clamp, Steel	1
23	101916201	Flywheel	1
24	101916301	Fan (cw)	1
25	N/A	Nut, Hex, 18 mm Fine	1
26	AM10724	Spark Plug, OHV (NGK)	1

8
G



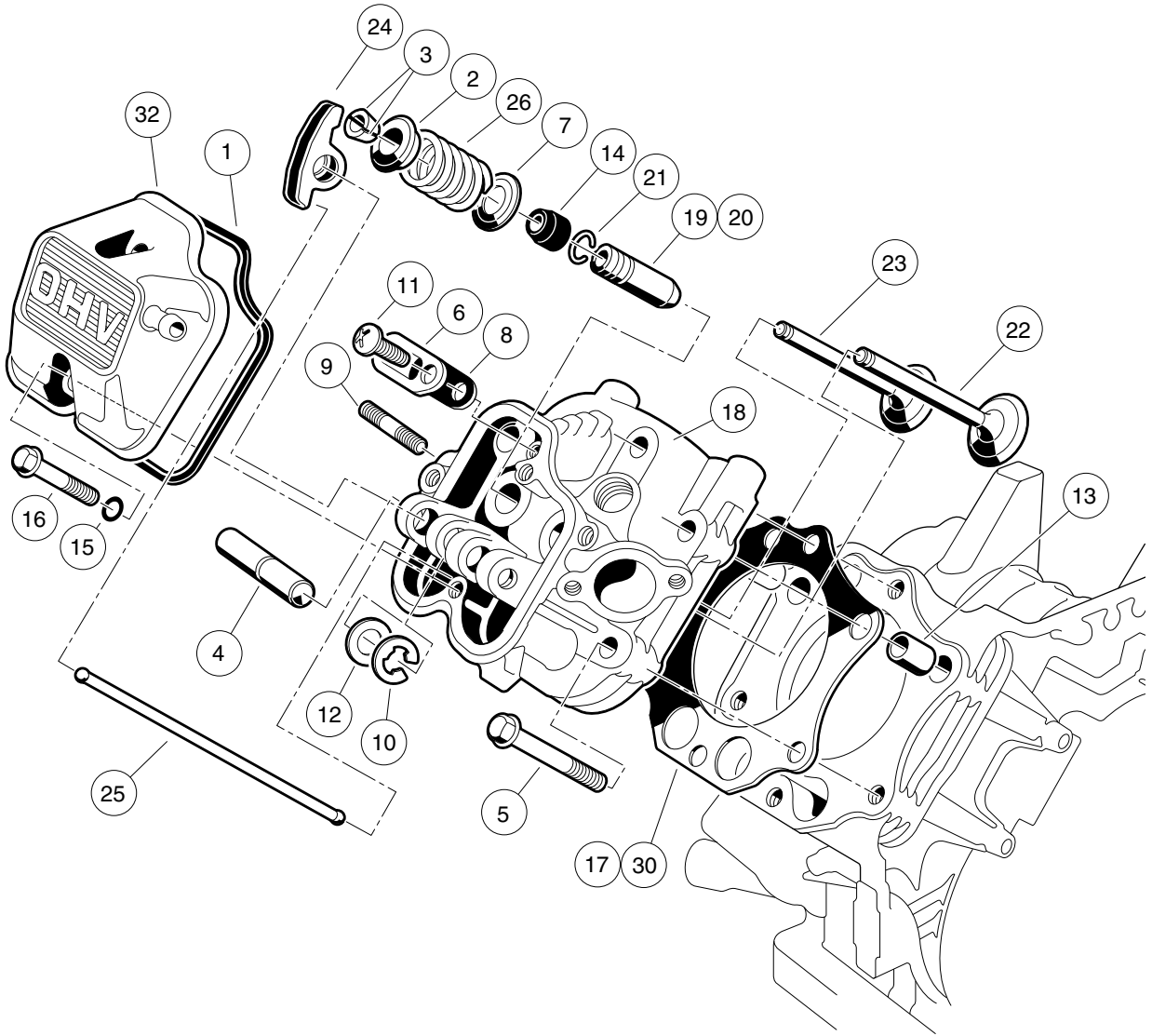
000203-001

FE350 ENGINE – OIL CIRCULATION

ITEM	PART NO.	DESCRIPTION	QTY
		1 2 3 4	
1	1016429	Seat, Value Oil Press Relief	1
2	1016432	Gasket, Drain Plug	1
3	1016457	Bolt, Flange Head	2
4	1016467	Filter, Oil	1
5	1016473	Plate, Oil Pump	1
6	101648203	Oil Pump And Rotor	1
7	1016502	Bracket, Oil Filter Mount	1
8	1016537	Ball, Steel, Press, Relief	1
9	1016570	O-Ring	1
10	1016576	Plug, Drain	1
11	1016581	Spring	1
12	1017442	Gasket	1
13	1017456	Bolt, Flanged	6
14	1017458	Filter	1
15	1017460	Cover, Pump	1
16	1017507	Plug	2

8

G



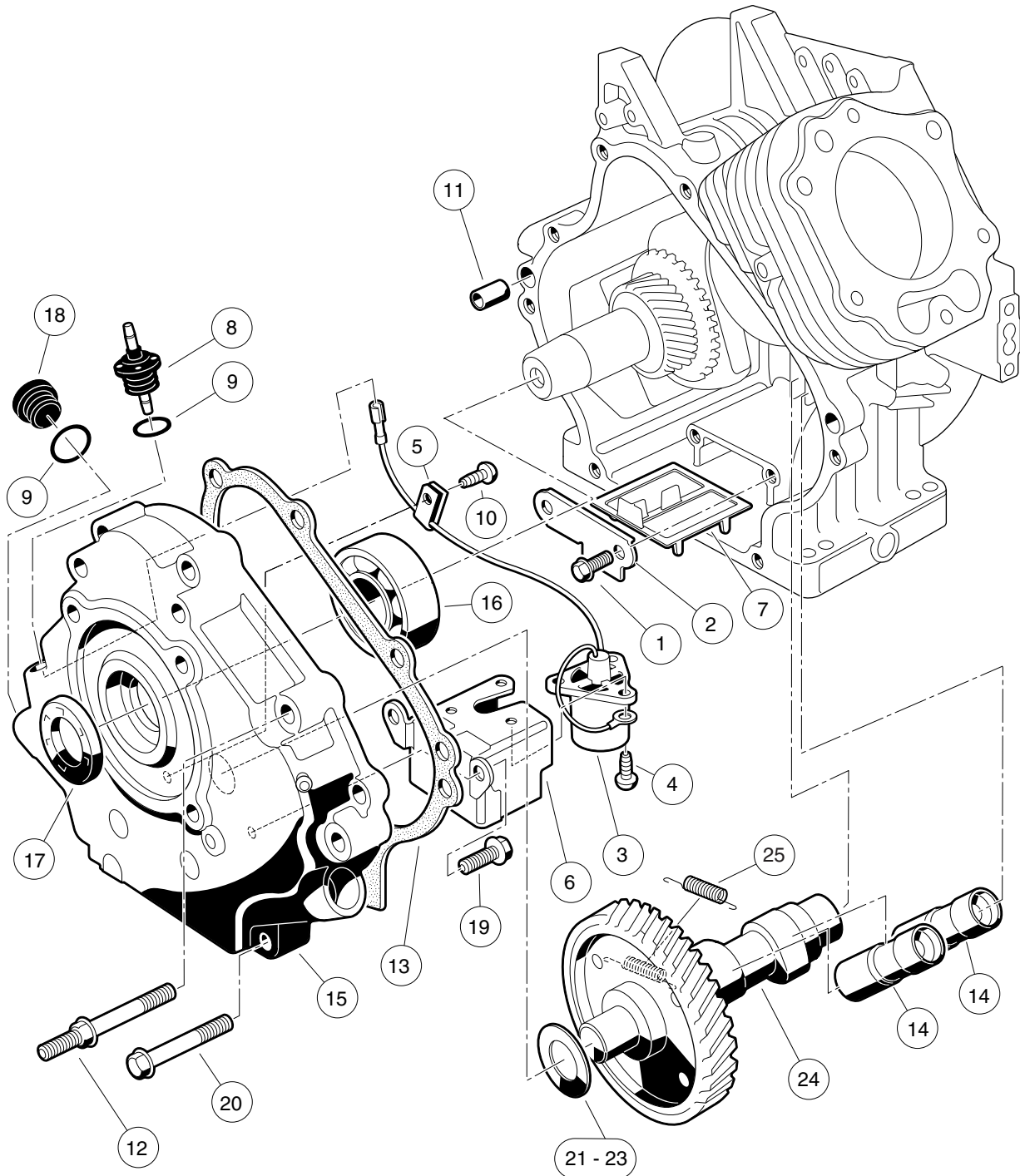
000204-001

AS11 FE350 ENGINE – CYLINDER HEAD

ITEM	PART NO.	DESCRIPTION	QTY
		1 2 3 4	
1	1016436	Gasket, Rocker Case	1
2	1016449	Retainer, Valve Spring	2
3	1016450	Collet	4
4	1016452	Shaft, Rocker	1
5	1016458	Bolt, Flange Head, M8 x 1.25 x 45 mm	6
6	1016474	Plate	1
7	1016479	Seat, Spring	2
8	1016483	Valve	1
9	1016489	Stud, Two-Ended, M8-1.25	2
10	1016517	Circlip, Type-E	1
11	1016544	Screw	1
12	1016549	Washer, 12.1x19x1.8	1
13	1016563	Pin	2
14	1016566	Seal, Oil	2
15	1016569	O-Ring	2
16	1016583	Bolt, 6x35	2
17	1017434	Gasket, Head	1
18	1017435	Assembly, Cylinder Head, FE350 (includes items 19 through 21)	1
19	1016518	Guide, Valve, Exhaust	1
20	1016519	Guide, Valve	1
21	1016560	Snap Ring	2
22	1017444	Valve, Intake	1
23	1017445	Valve, Exhaust	1
24	1017446	Arm, Rocker	2
25	1017454	Rod, Push	2
26	1017473	Spring, Engine Valve	2
27	102304801	Kit, Gasket, FE350 (includes items 28 through 31)	1
28	1016440	Gasket, Engine to Insulator	1
29	1016904	Gasket, Exhaust	1
30	1017434	Gasket, Head	1
31	1017443	Gasket, Crankcase Cover	1
32	102753401	Case, Rocker	1
		Note: Item 28 is not a component of the FE350 engine.	

8

G

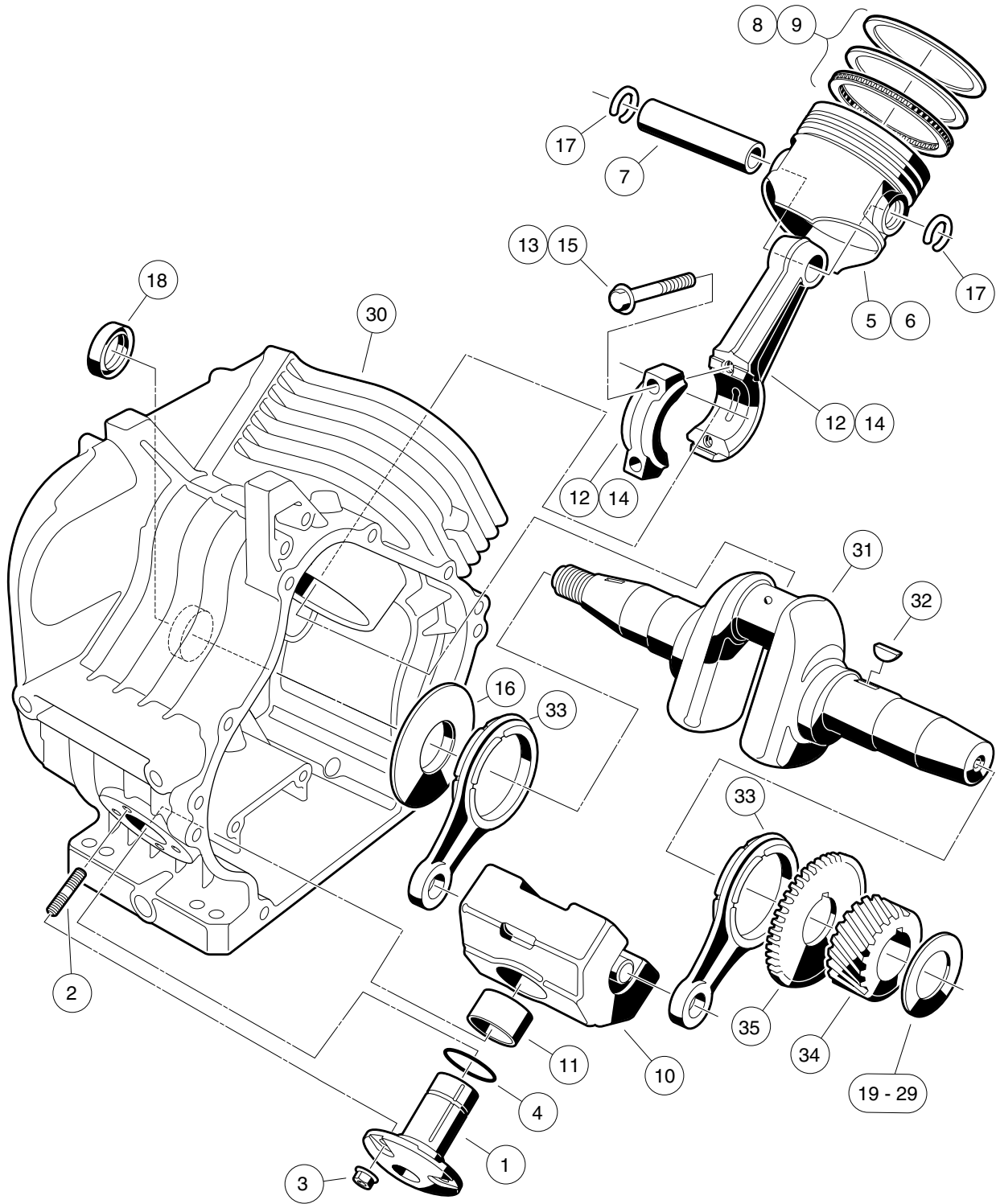


000205-001

FE350 ENGINE WITH ACR – CRANKCASE, CAMSHAFT, AND OIL SENSOR

ITEM	PART NO.	DESCRIPTION	QTY
		1 2 3 4	
1	1016454	Bolt, Flange Head, M5 x 0.8 x 8 mm	2
2	1016472	Plate, Oil Filter Screen	1
3	1016494	Sensor, Oil Level	1
4	1016496	Screw, Cross Pan-Head, M4 x 0.7 x 8 mm	3
5	1016506	Clamp	1
6	1016510	Bracket, Switch, Oil Level	1
7	1016521	Screen, Oil Filter	1
8	1016535	Connector, Cord	1
9	1016538	O-Ring	2
10	1016544	Screw	1
11	1016564	Pin	2
12	1016584	Bolt, Two-Ended, M8 x 1.25 x 69 mm	2
13	1017443	Gasket, Crankcase Cover	1
14	1017447	Adjuster, Lash	2
15	1017472	Cover Crankcase	1
16	1017487	Bearing, Ball	1
17	1017504	Seal, Oil	1
18	1017508	Plug	1
19	1017513	Bolt Switch Bracket	2
20	1017514	Screw, M8-1.25 X 45mm Hex	6
21	101751801	Shim, 0.3	1
22	101751802	Shim, 0.4	1
23	101751803	Shim, 0.5	1
24	102271601	Camshaft, FE350/FE400 with ACR, 44-tooth (includes item 25)	1
25	1017511	Spring	1

8
G



000206-001

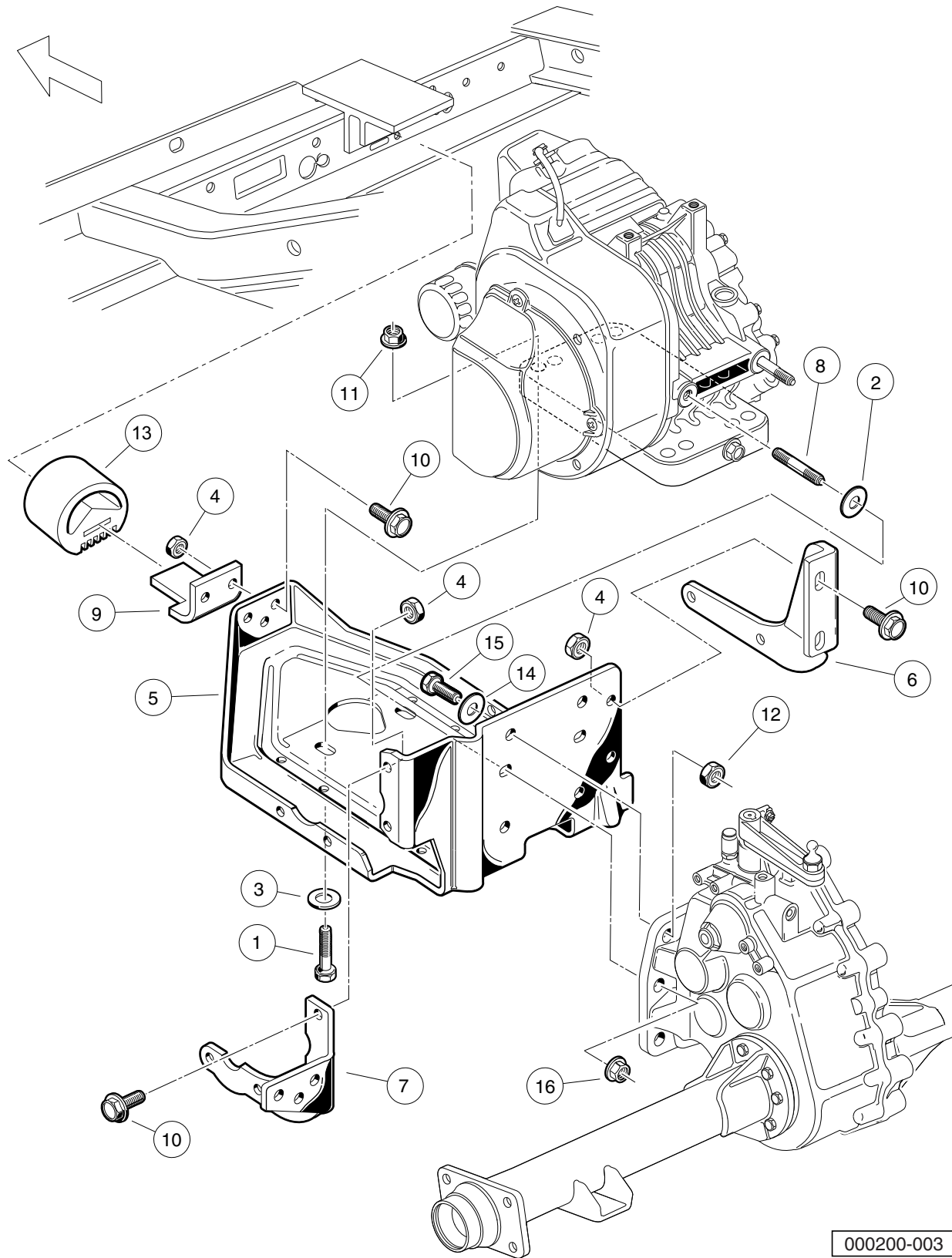
AS11 FE350 ENGINE – CRANKCASE AND CRANKSHAFT

ITEM	PART NO.	DESCRIPTION	QTY
		1 2 3 4	
1	1016470	Shaft, Guide, Counterbalance	1
2	1016541	Stud, 6x14	4
3	1016547	Nut, M6 Flange	4
4	1016571	O-Ring	1
5	101744901	Piston, Standard	1
6	101744902	Piston, 0.50 mm Oversize	1
7	1017450	Pin, Piston	1
8	101745101	Ring Set, Standard Piston	1
9	101745102	Ring Set, Piston, 0.50 mm Oversize	1
10	1017453	Fe400 Counterbalance Weight (includes item 11)	1
11	1017510	Bearing, Plain	1
12	101745701	Asm, Con. Rod Std (includes item 13)	1
13	1017512	Bolt	2
14	101745702	Rod Assembly Connecting Rod 0.5mm (includes item 15)	1
15	1017512	Bolt	2
16	1017501	Spacer	1
17	1017502	Snap Ring	2
18	1017503	Seal, Oil	1
19	101773301	Shim, Crankshaft, 1.18mm	1
20	101773302	Shim, Crankshaft, 1.25mm	1
21	101773303	Shim, Crankshaft, 1.32mm	1
22	101773304	Shim, Crankshaft, 1.39mm	1
23	101773305	Shim, Crankshaft, 1.46mm	1
24	101773306	Shim, Crankshaft, 1.53mm	1
25	101773307	Shim, Crankshaft, 1.60mm	1
26	101773308	Shim, Crankshaft, 1.67mm	1
27	101773309	Shim, Crankshaft, 1.74mm	1
28	101773310	Shim, Crankshaft, 1.11 mm	1
29	101773311	Shim, Crankshaft, 1.81mm	1
30	101916001	Crankcase Complete, FE350 (cw)	1
31	102430901	Crankshaft, FE350 Left-Hand, 22-Tooth (includes items 32 through 35)	1
32	1016562	Key	1
33	1017471	Rod	2
34	N/A	Gear, Helical	1
35	N/A	Gear, Spur	1

8

G

8
G



000200-003

FE350 ENGINE MOUNTING

ITEM	PART NO.	DESCRIPTION	QTY
		1 2 3 4	
1	1010577	Bolt, Hex-Head, 5/16-18 X 1.50	4
2	1011697	Washer, 5/16 Flat	2
3	1012571	Washer, 5/16 Extra Thick Flat	4
4	1013924	Nut, 5/16-24 Hex Head Cone	10
5	101827101	Plate, Engine Mounting	1
6	101832601	Stiffener (PTO Side)	1
7	101832701	Stiffener (Flywheel Side)	1
8	101833101	Stud, M8-1.25 X 50 mm Two-Ended	2
9	101834601	Snubber Bracket	1
10	101884801	Screw, 5/16-24 X 0.875 Grade-8	10
11	101963401	Locknut, 5/16-18 Hex Flange	4
12	102065901	Locknut, 3/8-16 Flanged Dimple	4
13	102540301	Inner Frame Snubber	1
14	334	Washer, 3/8 Type A Flat	4
15	705	Screw, Cap-hex Hd 3/8-16x1.25	4
16	96704416	Nut Flg, M8 X 1.25 Serrated	2

8

G

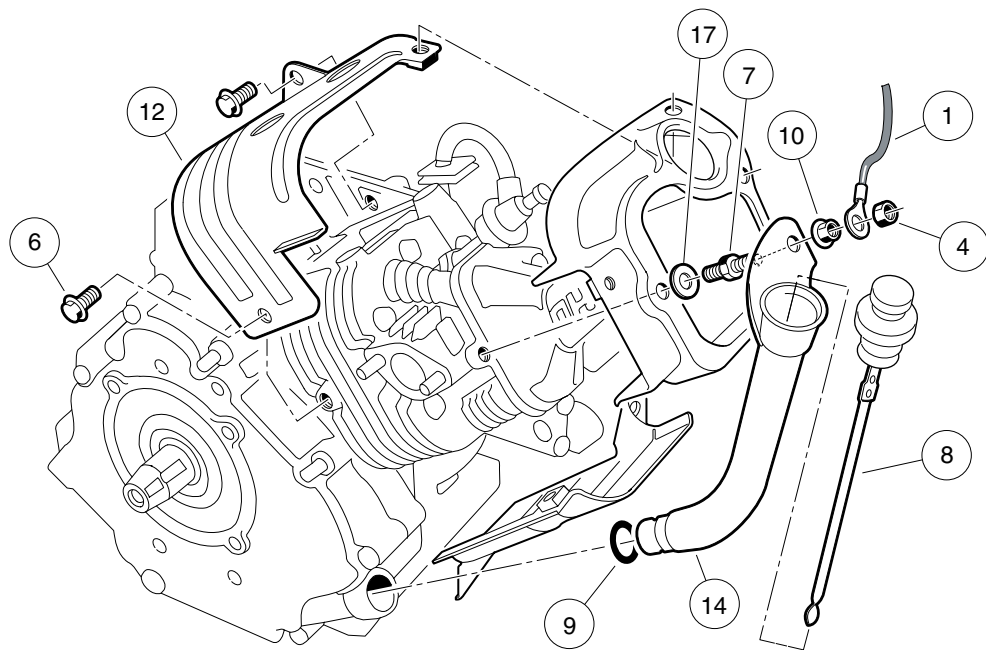
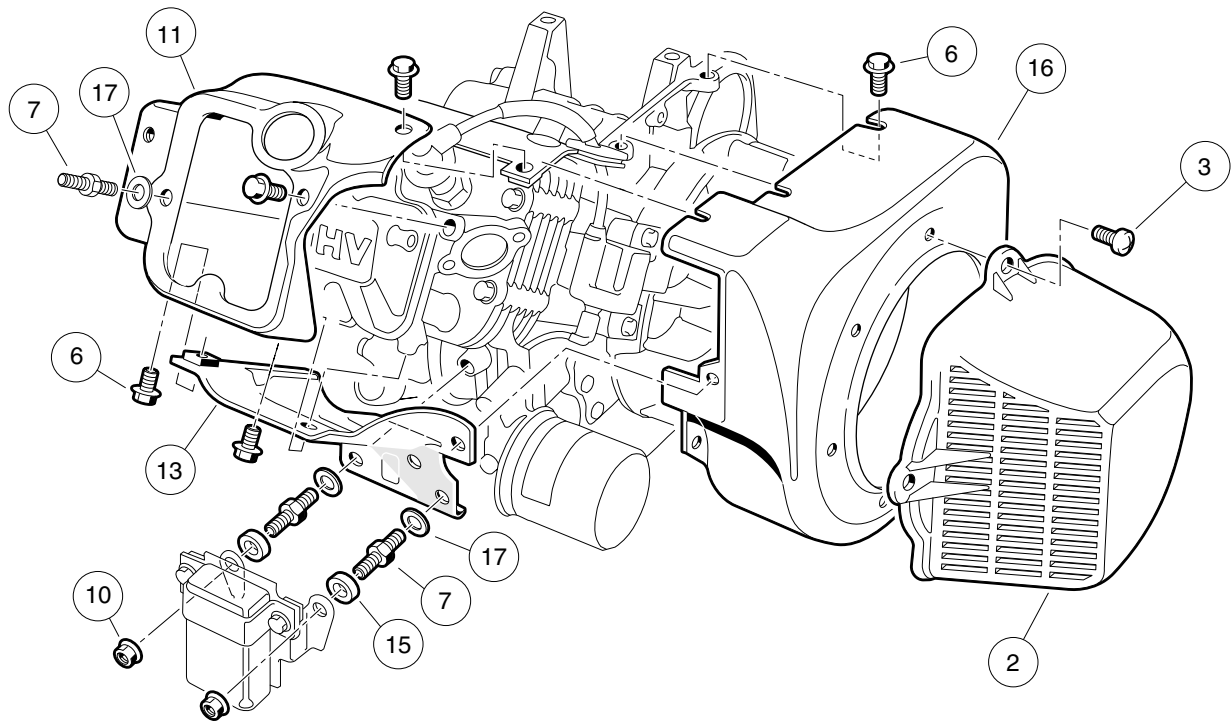
8

G

FE350 ENGINE WITHOUT ACR (PEDAL- START VEHICLES)

9

G



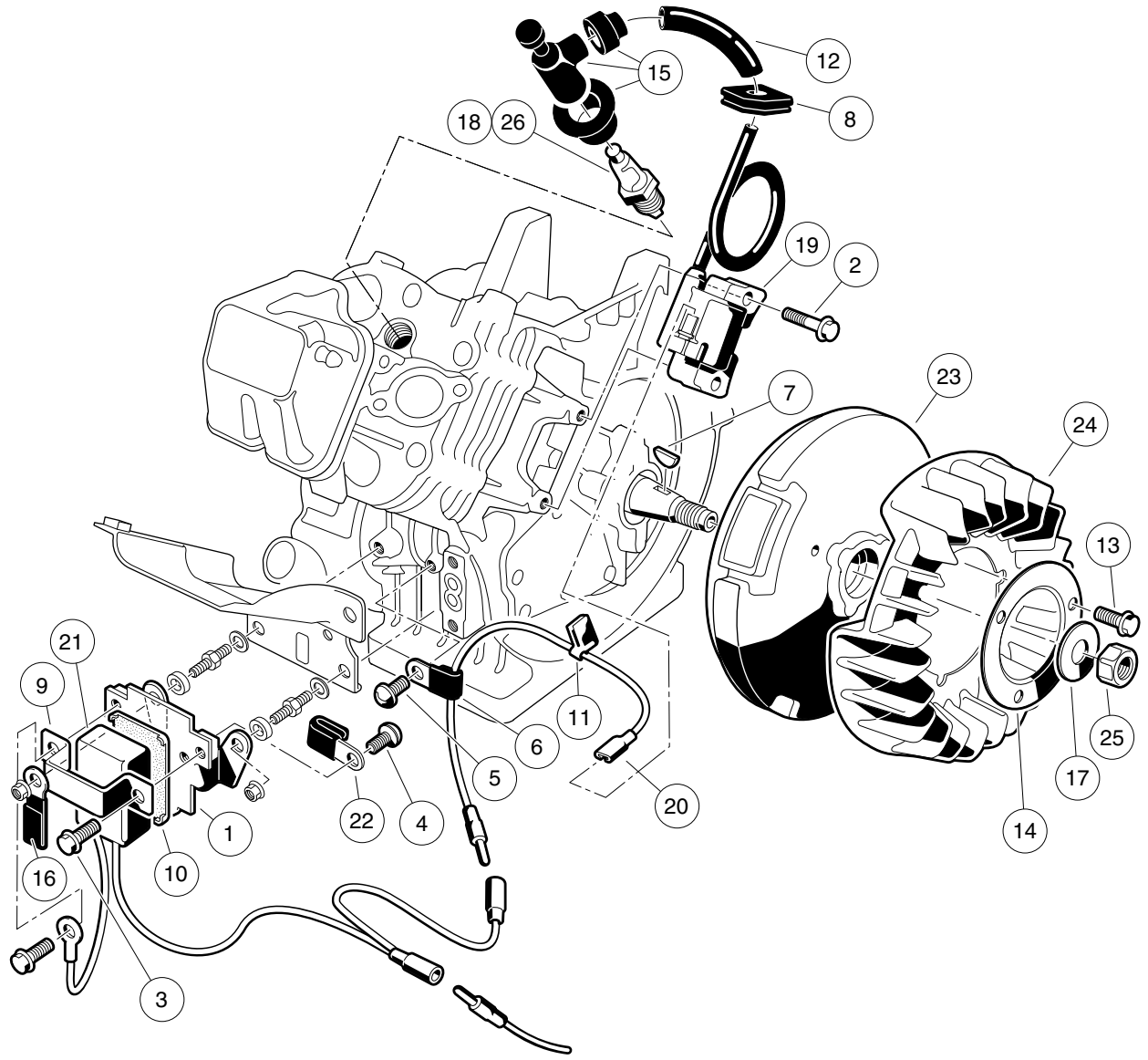
000201-001

AS11 FE350 ENGINE WITHOUT ACR (AUTOMATIC COMPRESSION RELEASE) – SHROUDS AND BRACKETS

ITEM	PART NO.	DESCRIPTION	QTY
		1 2 3 4	
1	1015332	Wire Assembly, #10, Uninsulated	1
2	1015649	Shroud, Fan	1
3	1015969	Screw, M6-1.00 X 10mm Pan Hd	4
4	101887601	Locknut, M6-1.00 Nylon Insert	1
5	101953802	Engine, FE350 (cw) without ACR * (includes items 6 through 17)	1
6	1016456	Bolt, Flange Head, M6 x 1 x 12 mm	14
7	1016507	Bolt, Two-Ended	3
8	1016531	Dipstick	1
9	1016539	O-Ring	1
10	1016547	Nut, M6 Flange	3
11	1017474	Shroud, Engine	1
12	1017475	Shroud, Engine	1
13	1017476	Shroud, Engine	1
14	1017486	Tube, Oil Filler	1
15	1017500	Spacer 6.50 X 12 X 5.5	2
16	101916101	Housing, FE350 Fan	1
17	N/A	Washer, 6mm Flat	3
* Note: FE350 engine component listings span several pages.			

9

G

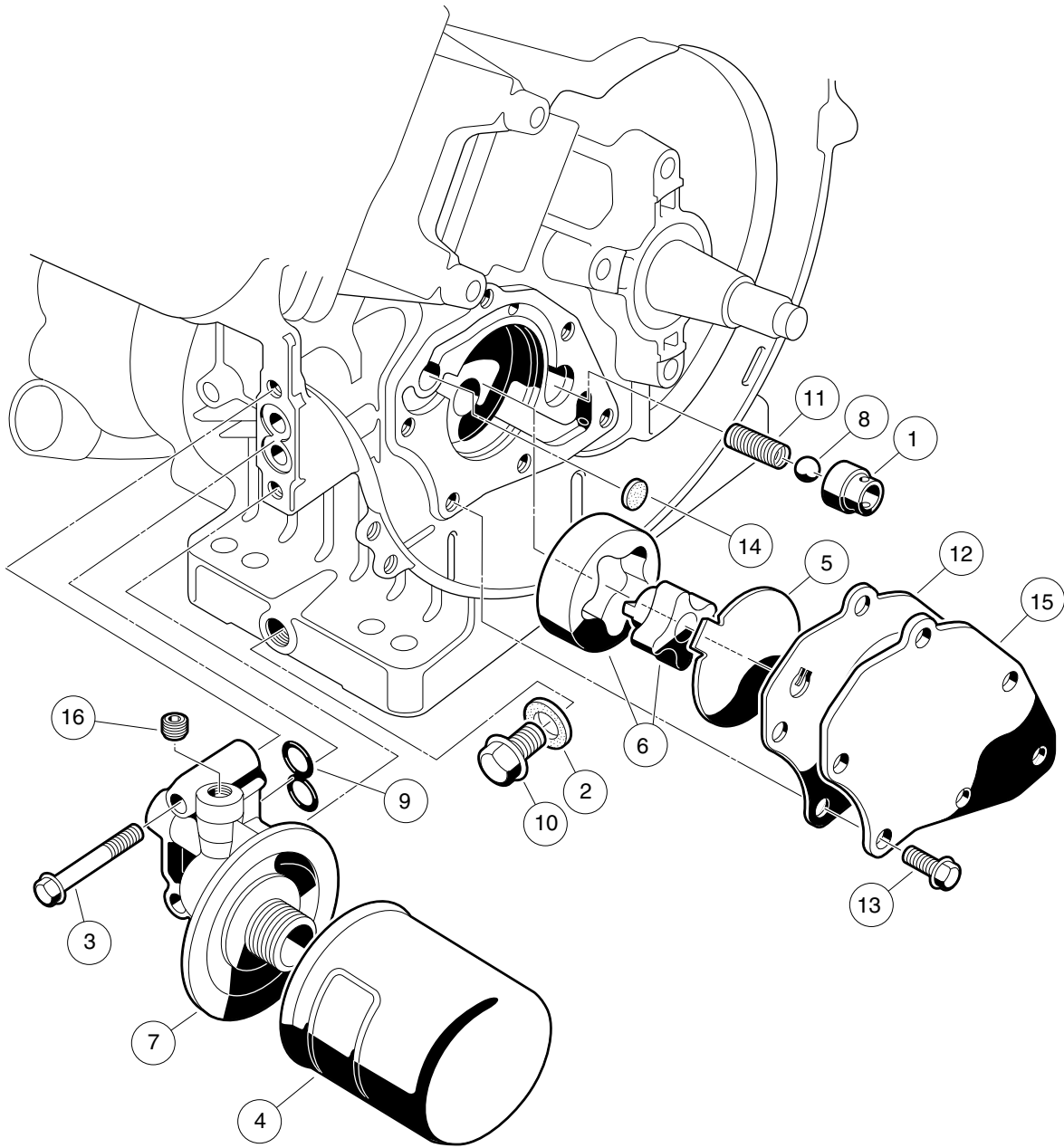


000202-001

AS11 FE350 ENGINE – IGNITION COMPONENTS AND FLYWHEEL

ITEM	PART NO.	DESCRIPTION	QTY
		1 2 3 4	
1	1016445	Bracket, RPM Limiter	1
2	1016455	Bolt, Flange Head	2
3	1016456	Bolt, Flange Head, M6 x 1 x 12 mm	2
4	1016497	Screw, Pan WP Cross	1
5	1016544	Screw	1
6	1016561	Clamp	1
7	1016562	Key	1
8	1016578	Ignition, Grommet	1
9	1016579	Band, RPM Limiter Mount	1
10	1016586	Damper, RPM Limiter	1
11	1016587	Clamp	1
12	1016588	Tube, 7mm X 10mm X 70mm	1
13	1017448	Bolt, Flanged	3
14	1017455	Plate, Flywheel Fan	1
15	1017463	Cap Asm Plug	1
16	1017468	Clamp	1
17	1017490	Washer, Flat	1
18	101881101	Spark Plug, OHV (Autolite)	1
19	101909201	Coil, Ignition	1
20	101909301	Lead Wire Assy	1
21	101909401	Limiter, RPM	1
22	101909501	Clamp, Steel	1
23	101916201	Flywheel	1
24	101916301	Fan (cw)	1
25	N/A	Nut, Hex, 18 mm Fine	1
26	AM10724	Spark Plug, OHV (NGK)	1

9
G



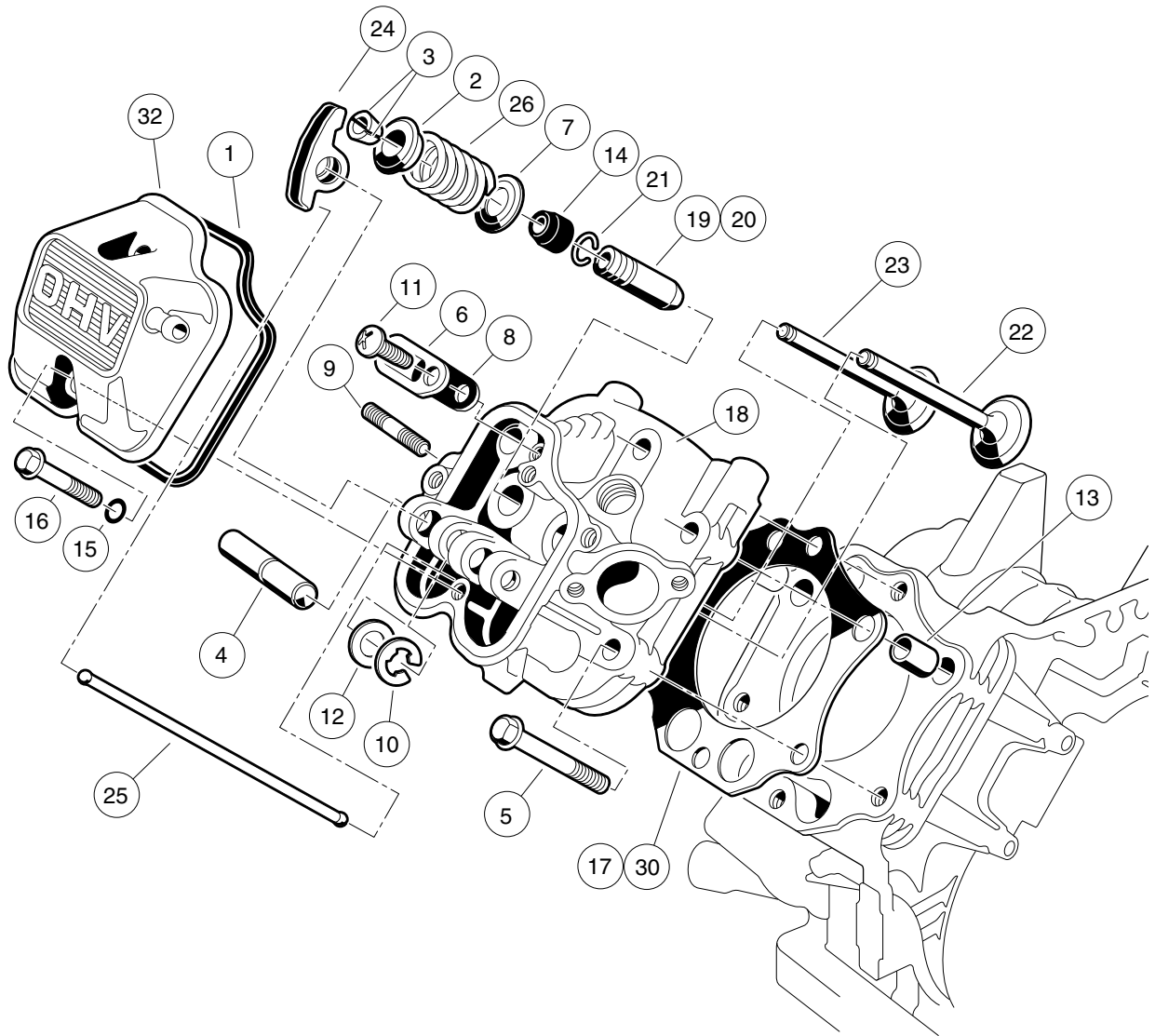
000203-001

FE350 ENGINE – OIL CIRCULATION

ITEM	PART NO.	DESCRIPTION	QTY
		1 2 3 4	
1	1016429	Seat, Value Oil Press Relief	1
2	1016432	Gasket, Drain Plug	1
3	1016457	Bolt, Flange Head	2
4	1016467	Filter, Oil	1
5	1016473	Plate, Oil Pump	1
6	101648203	Oil Pump And Rotor	1
7	1016502	Bracket, Oil Filter Mount	1
8	1016537	Ball, Steel, Press, Relief	1
9	1016570	O-Ring	1
10	1016576	Plug, Drain	1
11	1016581	Spring	1
12	1017442	Gasket	1
13	1017456	Bolt, Flanged	6
14	1017458	Filter	1
15	1017460	Cover, Pump	1
16	1017507	Plug	2

9

G



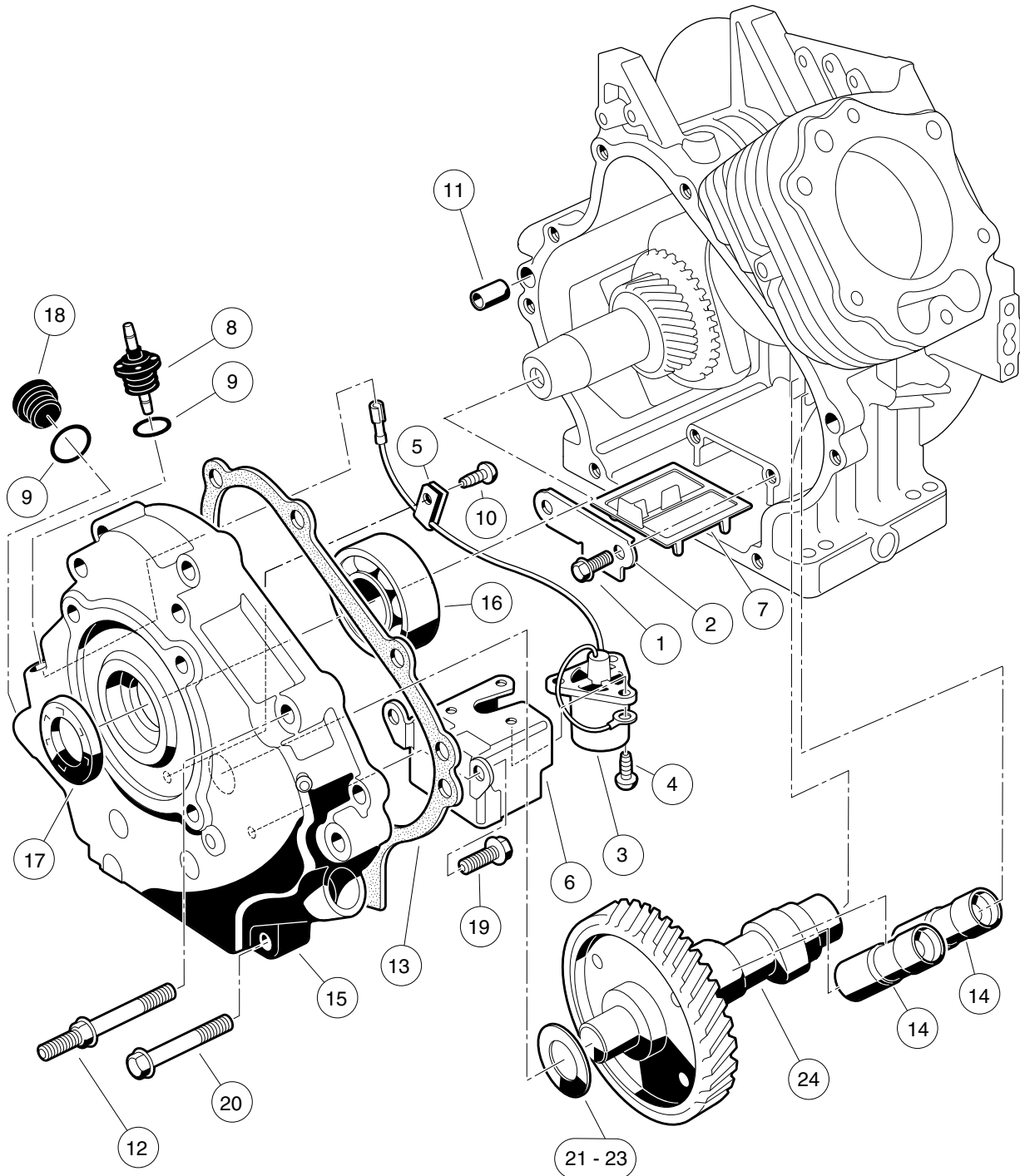
000204-001

AS11 FE350 ENGINE – CYLINDER HEAD

ITEM	PART NO.	DESCRIPTION	QTY
		1 2 3 4	
1	1016436	Gasket, Rocker Case	1
2	1016449	Retainer, Valve Spring	2
3	1016450	Collet	4
4	1016452	Shaft, Rocker	1
5	1016458	Bolt, Flange Head, M8 x 1.25 x 45 mm	6
6	1016474	Plate	1
7	1016479	Seat, Spring	2
8	1016483	Valve	1
9	1016489	Stud, Two-Ended, M8-1.25	2
10	1016517	Circlip, Type-E	1
11	1016544	Screw	1
12	1016549	Washer, 12.1x19x1.8	1
13	1016563	Pin	2
14	1016566	Seal, Oil	2
15	1016569	O-Ring	2
16	1016583	Bolt, 6x35	2
17	1017434	Gasket, Head	1
18	1017435	Assembly, Cylinder Head, FE350 (includes items 19 through 21)	1
19	1016518	Guide, Valve, Exhaust	1
20	1016519	Guide, Valve	1
21	1016560	Snap Ring	2
22	1017444	Valve, Intake	1
23	1017445	Valve, Exhaust	1
24	1017446	Arm, Rocker	2
25	1017454	Rod, Push	2
26	1017473	Spring, Engine Valve	2
27	102304801	Kit, Gasket, FE350 (includes items 28 through 31)	1
28	1016440	Gasket, Engine to Insulator	1
29	1016904	Gasket, Exhaust	1
30	1017434	Gasket, Head	1
31	1017443	Gasket, Crankcase Cover	1
32	102753401	Case, Rocker	1
		Note: Item 28 is not a component of the FE350 engine.	

9

G

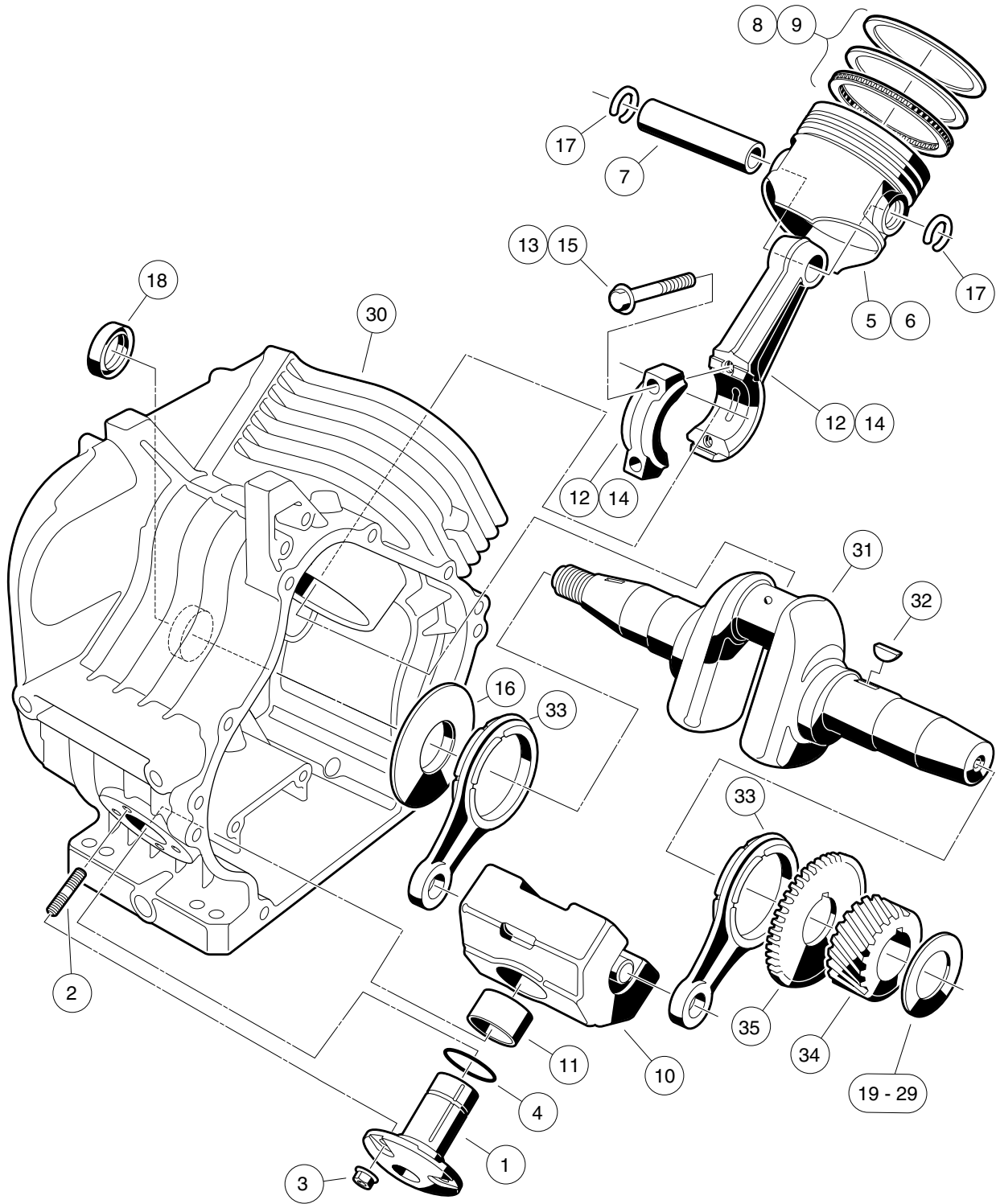


000205-002

AS11 FE350 ENGINE WITHOUT ACR – CRANKCASE, CAMSHAFT, AND OIL SENSOR

ITEM	PART NO.	DESCRIPTION	QTY
		1 2 3 4	
1	1016454	Bolt, Flange Head, M5 x 0.8 x 8 mm	2
2	1016472	Plate, Oil Filter Screen	1
3	1016494	Sensor, Oil Level	1
4	1016496	Screw, Cross Pan-Head, M4 x 0.7 x 8 mm	3
5	1016506	Clamp	1
6	1016510	Bracket, Switch, Oil Level	1
7	1016521	Screen, Oil Filter	1
8	1016535	Connector, Cord	1
9	1016538	O-Ring	2
10	1016544	Screw	1
11	1016564	Pin	2
12	1016584	Bolt, Two-Ended, M8 x 1.25 x 69 mm	2
13	1017443	Gasket, Crankcase Cover	1
14	1017447	Adjuster, Lash	2
15	1017472	Cover Crankcase	1
16	1017487	Bearing, Ball	1
17	1017504	Seal, Oil	1
18	1017508	Plug	1
19	1017513	Bolt Switch Bracket	2
20	1017514	Screw, M8-1.25 X 45mm Hex	6
21	101751801	Shim, 0.3	1
22	101751802	Shim, 0.4	1
23	101751803	Shim, 0.5	1
24	102431001	Camshaft, FE350 without ACR, 44-Tooth	1

9
G



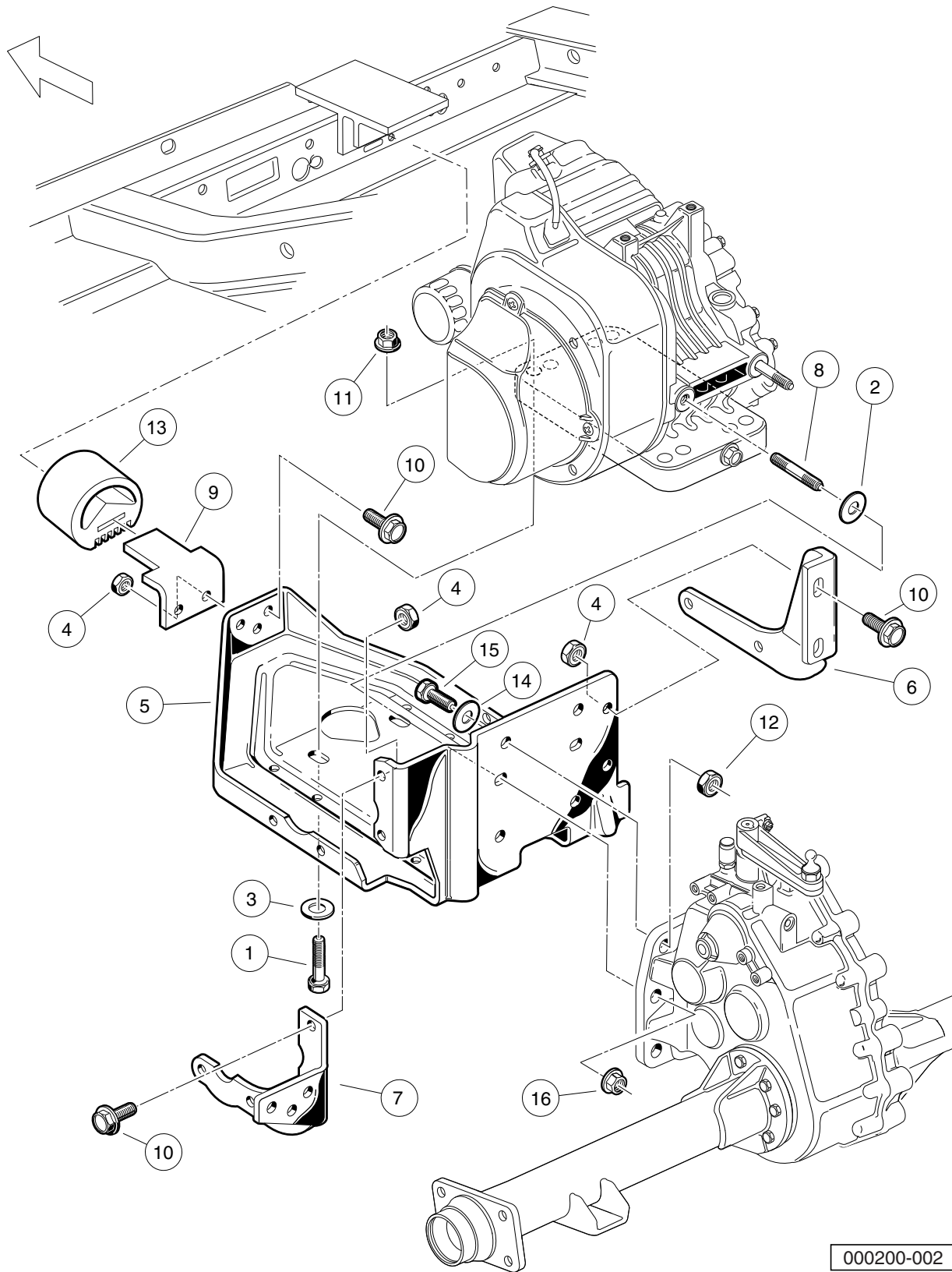
000206-001

AS11 FE350 ENGINE – CRANKCASE AND CRANKSHAFT

ITEM	PART NO.	DESCRIPTION	QTY
		1 2 3 4	
1	1016470	Shaft, Guide, Counterbalance	1
2	1016541	Stud, 6x14	4
3	1016547	Nut, M6 Flange	4
4	1016571	O-Ring	1
5	101744901	Piston, Standard	1
6	101744902	Piston, 0.50 mm Oversize	1
7	1017450	Pin, Piston	1
8	101745101	Ring Set, Standard Piston	1
9	101745102	Ring Set, Piston, 0.50 mm Oversize	1
10	1017453	Fe400 Counterbalance Weight (includes item 11)	1
11	1017510	Bearing, Plain	1
12	101745701	Asm, Con. Rod Std (includes item 13)	1
13	1017512	Bolt	2
14	101745702	Rod Assembly Connecting Rod 0.5mm (includes item 15)	1
15	1017512	Bolt	2
16	1017501	Spacer	1
17	1017502	Snap Ring	2
18	1017503	Seal, Oil	1
19	101773301	Shim, Crankshaft, 1.18mm	1
20	101773302	Shim, Crankshaft, 1.25mm	1
21	101773303	Shim, Crankshaft, 1.32mm	1
22	101773304	Shim, Crankshaft, 1.39mm	1
23	101773305	Shim, Crankshaft, 1.46mm	1
24	101773306	Shim, Crankshaft, 1.53mm	1
25	101773307	Shim, Crankshaft, 1.60mm	1
26	101773308	Shim, Crankshaft, 1.67mm	1
27	101773309	Shim, Crankshaft, 1.74mm	1
28	101773310	Shim, Crankshaft, 1.11 mm	1
29	101773311	Shim, Crankshaft, 1.81mm	1
30	101916001	Crankcase Complete, FE350 (cw)	1
31	102430901	Crankshaft, FE350 Left-Hand, 22-Tooth (includes items 32 through 35)	1
32	1016562	Key	1
33	1017471	Rod	2
34	N/A	Gear, Helical	1
35	N/A	Gear, Spur	1

9
G

9
G



000200-002

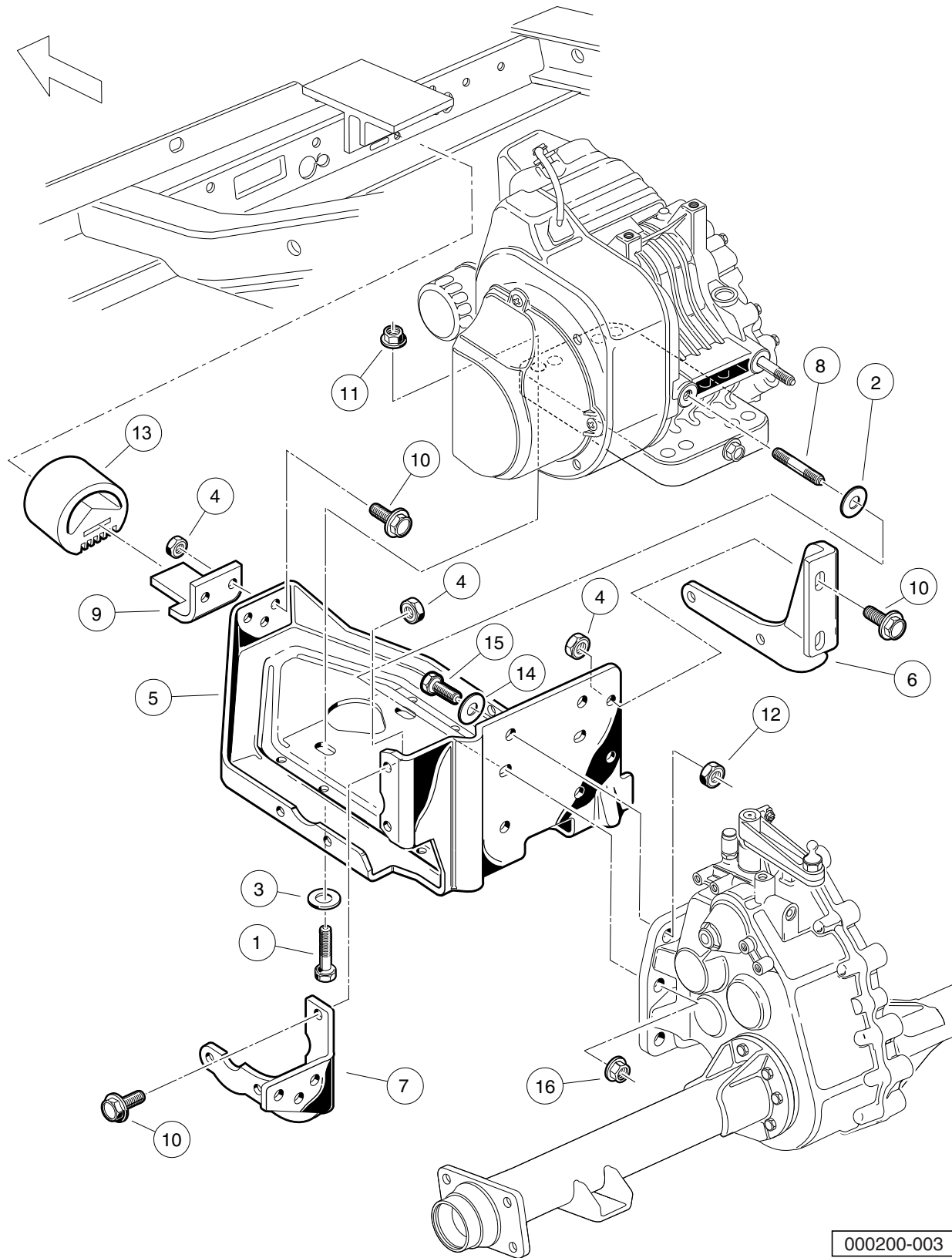
ENGINE MOUNTING – TURF/CARRYALL 252 AND 2 XRT

ITEM	PART NO.	DESCRIPTION	QTY
		1 2 3 4	
1	1010577	Bolt, Hex-Head, 5/16-18 X 1.50	4
2	1011697	Washer, 5/16 Flat	2
3	1012571	Washer, 5/16 Extra Thick Flat	4
4	1013924	Nut, 5/16-24 Hex Head Cone	10
5	101827101	Plate, Engine Mounting	1
6	101832601	Stiffener (PTO Side)	1
7	101832701	Stiffener (Flywheel Side)	1
8	101833101	Stud, M8-1.25 X 50 mm Two-Ended	2
9	101834601	Snubber Bracket	1
10	101884801	Screw, 5/16-24 X 0.875 Grade-8	10
11	101963401	Locknut, 5/16-18 Hex Flange	4
12	102065901	Locknut, 3/8-16 Flanged Dimple	4
13	102540301	Inner Frame Snubber	1
14	334	Washer, 3/8 Type A Flat	4
15	705	Screw, Cap-hex Hd 3/8-16x1.25	4
16	96704416	Nut Flg, M8 X 1.25 Serrated	2

9

G

9
G



000200-003

FE350 ENGINE MOUNTING

ITEM	PART NO.	DESCRIPTION	QTY
		1 2 3 4	
1	1010577	Bolt, Hex-Head, 5/16-18 X 1.50	4
2	1011697	Washer, 5/16 Flat	2
3	1012571	Washer, 5/16 Extra Thick Flat	4
4	1013924	Nut, 5/16-24 Hex Head Cone	10
5	101827101	Plate, Engine Mounting	1
6	101832601	Stiffener (PTO Side)	1
7	101832701	Stiffener (Flywheel Side)	1
8	101833101	Stud, M8-1.25 X 50 mm Two-Ended	2
9	101834601	Snubber Bracket	1
10	101884801	Screw, 5/16-24 X 0.875 Grade-8	10
11	101963401	Locknut, 5/16-18 Hex Flange	4
12	102065901	Locknut, 3/8-16 Flanged Dimple	4
13	102540301	Inner Frame Snubber	1
14	334	Washer, 3/8 Type A Flat	4
15	705	Screw, Cap-hex Hd 3/8-16x1.25	4
16	96704416	Nut Flg, M8 X 1.25 Serrated	2

9

G

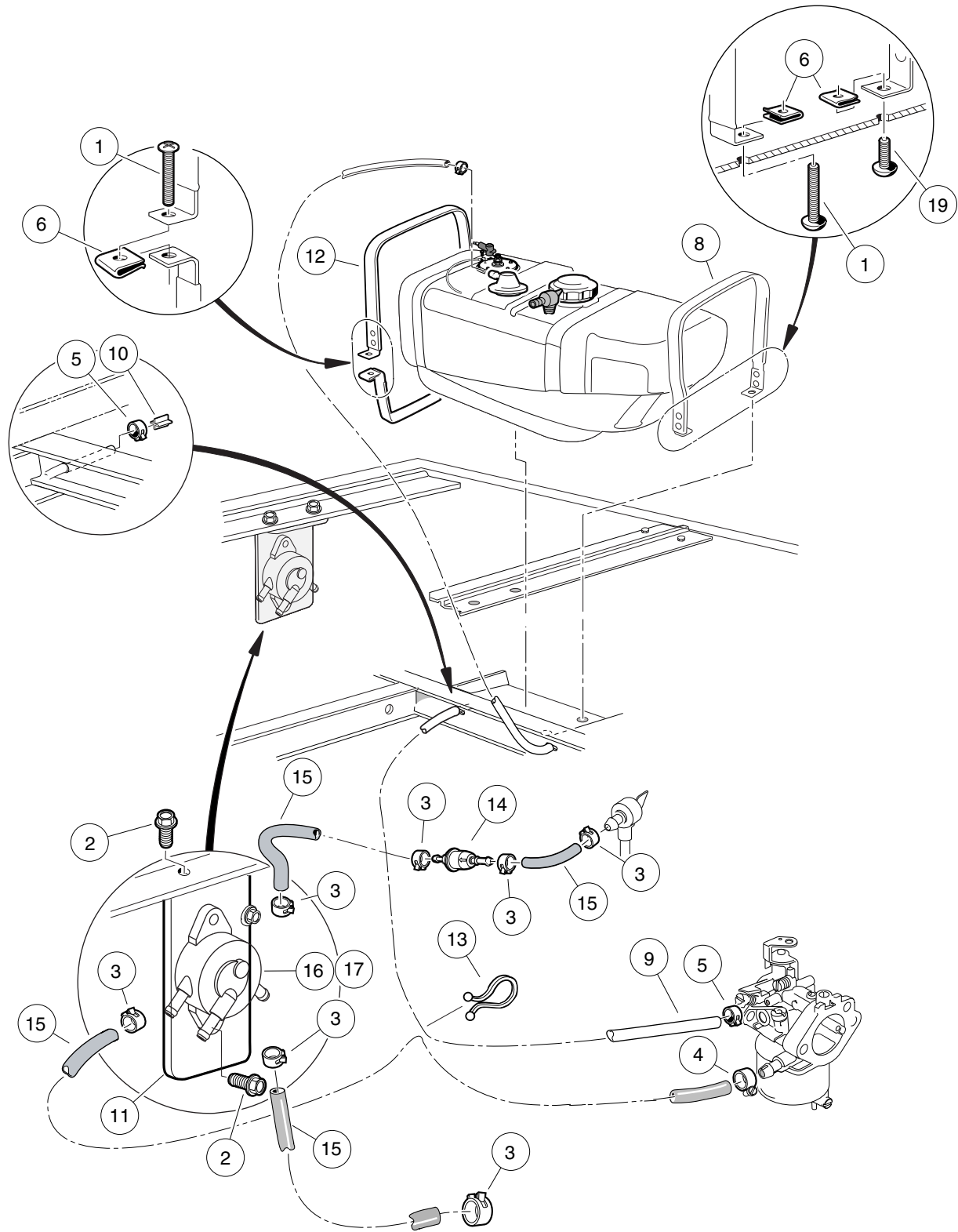
9

G

FUEL, INTAKE, AND GOVERNOR SYSTEMS

10

G



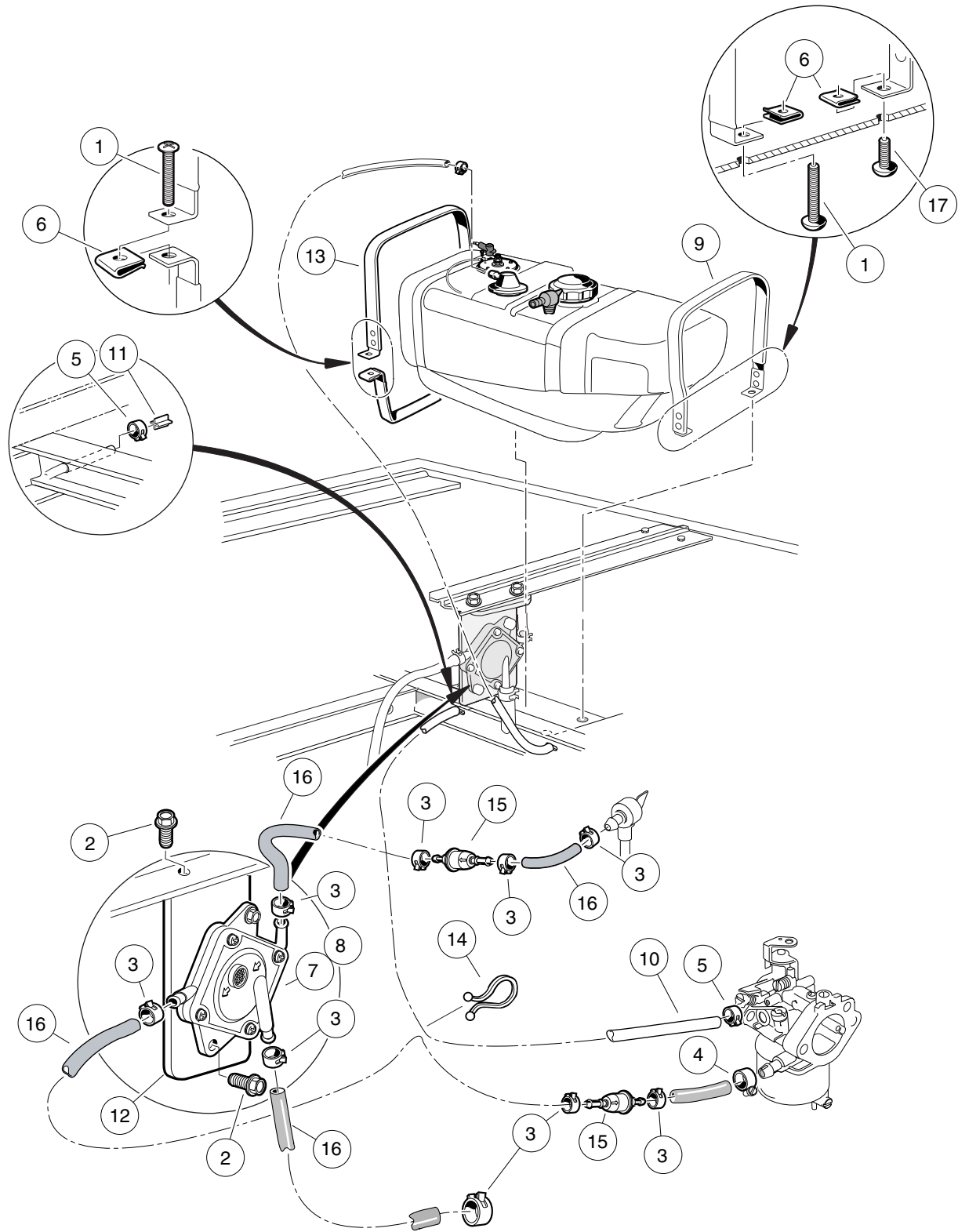
000210-002

FUEL SYSTEM – TURF/CARRYALL 1 AND 6

ITEM	PART NO.	DESCRIPTION	QTY
		1 2 3 4	
1	1011988	Screw, 1/4-20 X 2.00 Phillips Truss-Head	2
2	1012285	Screw, 1/4 X 0.625 Hex-Head	4
3	1012649	Clamp, 0.460 Red Hose	7
4	1013687	Clamp, 3/8" Hose (screw type)	1
5	1013746	Clamp, 0.301 ID Hose	2
6	1014116	Nut, 1/4-20 Speed	3
7	1014524	Kit, Impulse Pump Rebuild	1
8	1014928	Fuel Strap Assembly Rear	1
9	1015137	Fuel Line (available by the foot)	1
10	101824401	Vent Barb	1
11	101929501	Mount Fuel Pump	1
12	101955301	Fuel Strap Assy, Front	1
13	101987701	Clamp, Plastic Tie	1
14	102003201	Filter, Fuel, 30 Micron	1
15	102865101	Fuel Line	1
16	103781101	Kit, Fuel Pump Retrofit (includes items 17 and 18)	1
17	103010101	Pump, Fuel, Impulse, Fh	1
18	103781201	Instr, Fuel Pump Retrofit	1
19	8248	Screw, 1/4-20 X 0.75 Truss-Head Machine	1
Note: Total fuel line length: 43 inches (109.2 cm)			

10

G



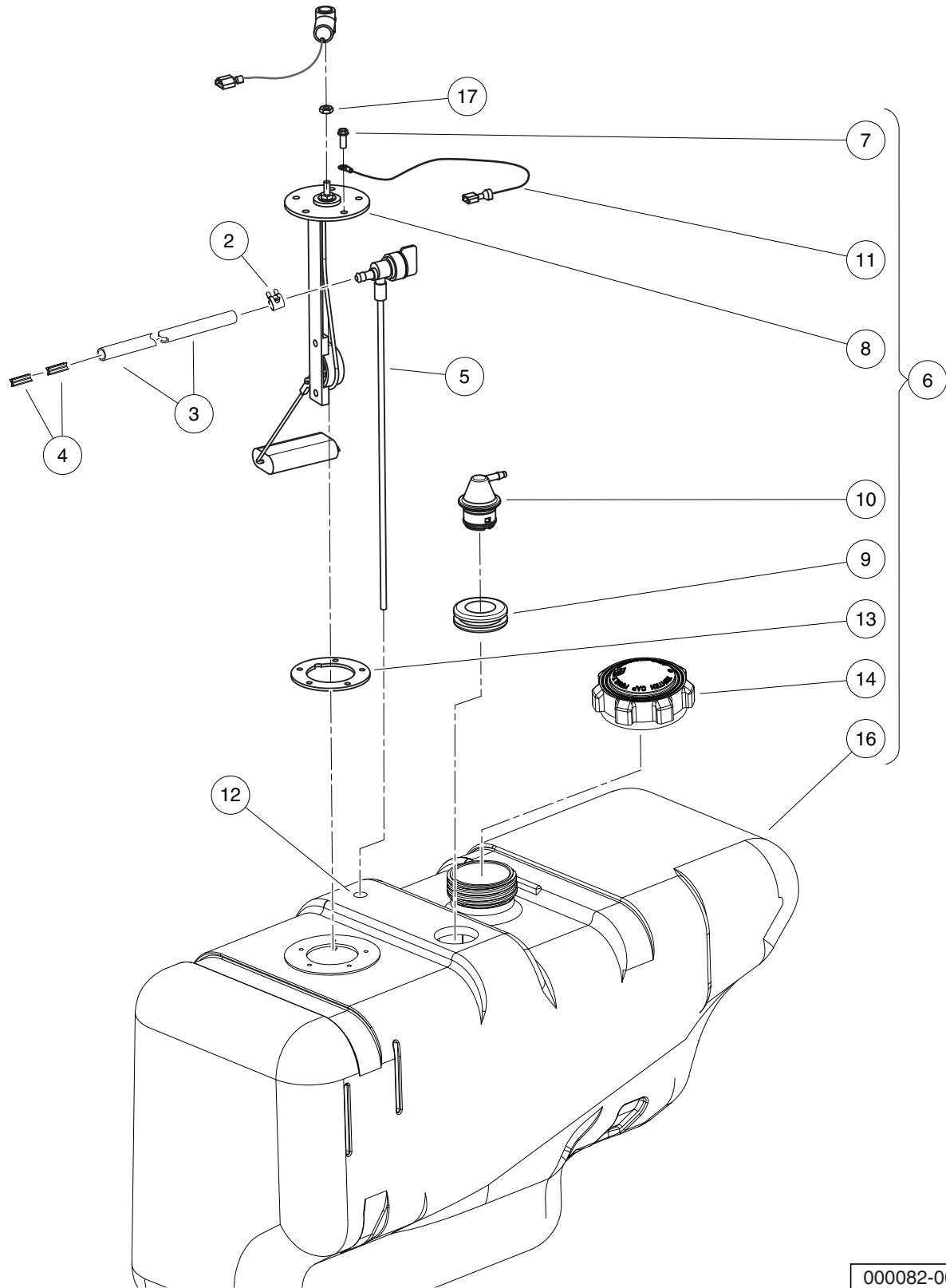
000210-003

FUEL SYSTEM – TURF/CARRYALL 2, XRT, AND CARRYALL 2 PLUS

ITEM	PART NO.	DESCRIPTION	QTY
		1 2 3 4	
1	1011988	Screw, 1/4-20 X 2.00 Phillips Truss-Head	2
2	1012285	Screw, 1/4 X 0.625 Hex-Head	4
3	1012649	Clamp, 0.460 Red Hose	9
4	1013687	Clamp, 3/8" Hose (screw type)	1
5	1013746	Clamp, 0.301 ID Hose	2
6	1014116	Nut, 1/4-20 Speed	3
7	1014523	Pump, Impulse Fuel	1
8	1014524	Kit, Impulse Pump Rebuild	1
9	1014928	Fuel Strap Assembly Rear	1
10	1015137	Fuel Line (available by the foot)	1
11	101824401	Vent Barb	1
12	101929501	Mount Fuel Pump	1
13	101955301	Fuel Strap Assy, Front	1
14	101987701	Clamp, Plastic Tie	1
15	102003201	Filter, Fuel, 30 Micron	2
16	102865101	Fuel Line	1
17	8248	Screw, 1/4-20 X 0.75 Truss-Head Machine	1
		 Note: Total fuel line length: 48 inches (121.9 cm)	

10
G

10
G



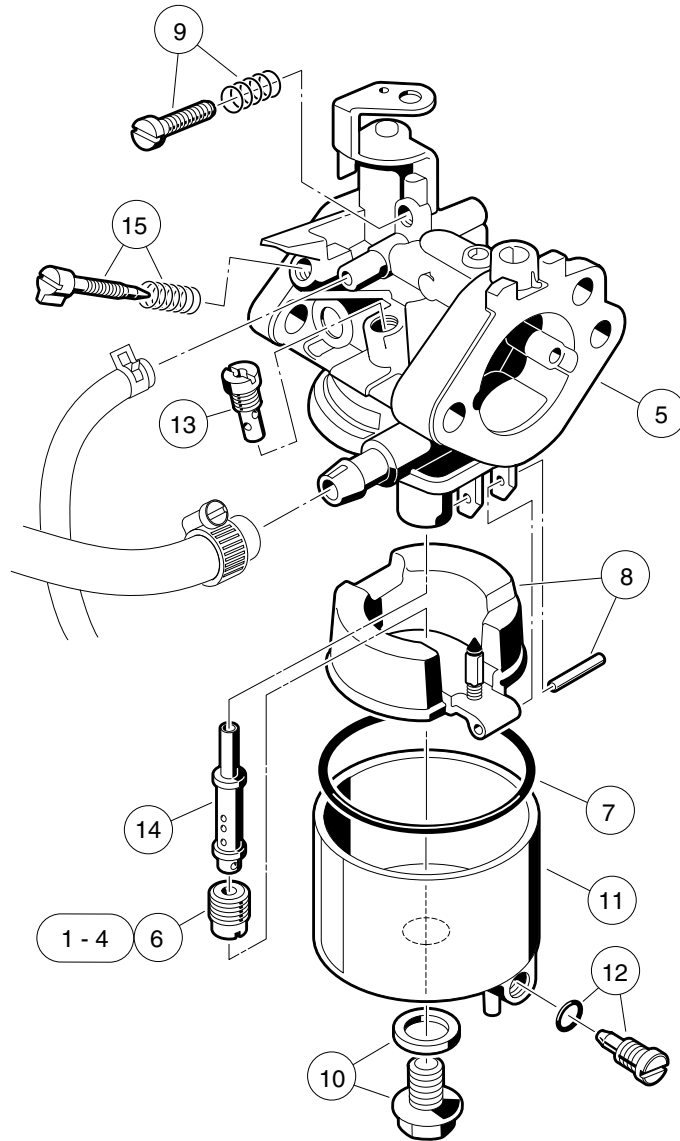
000082-003

FUEL TANK WITH FUEL LEVEL SENDING UNIT

ITEM	PART NO.	DESCRIPTION	QTY
		1 2 3 4	
1	1016004	Tank Kit w/Sending Unit (includes items 2 through 6)	1
2	1013746	Clamp, 0.301 ID Hose	2
3	1015137	Fuel Line (available by the foot)	1
4	101824401	Vent Barb	2
5	101896901	Fuel Pickup w/Shut-Off Valve	1
6	103651901	Asm, Tank, Ds Utl W/su† Nano (includes items 7 through 16)	1
7	1013461	Screw, #10-16 Hex-Head Hi-Lo	5
8	1013462	Sending Unit, Fuel Level *	1
9	1015139	Insulation Grommet	1
10	1015143	Vent, Fuel Tank	1
11	1015921	Wire Assembly #16 Black	1
12	102406701	Bushing, Line, Return	1
13	102522001	Gasket, Rubber	1
14	103372101	Cap, Fuel Tank, Gas, Ratchet	1
15	103372302	Fuel Pickup w/Shut-Off Valve, 288mm	1
16	103776901	Tank, Fuel, Top, W/su Nano	1
17	8797	Nut, #10-32 Brass Hex	1
<p>* Note: Must replace fuel sending unit gasket when servicing this component.</p>			

10

G



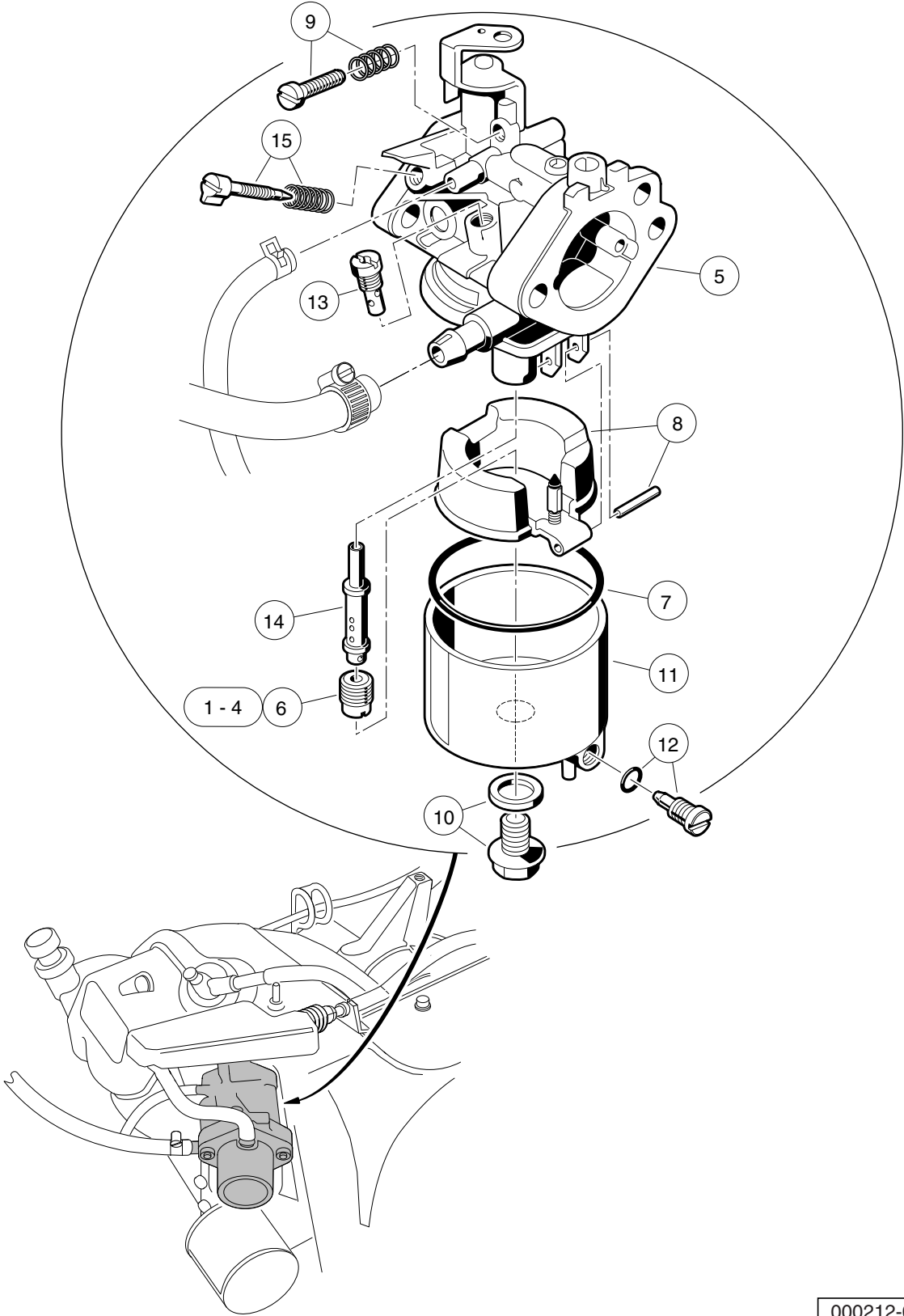
000211-001

CARBURETOR ASSEMBLY – FE290

ITEM	PART NO.	DESCRIPTION	QTY
		1 2 3 4	
1	101642572	Jet, Altitude, # 72	1
2	101642575	Jet, Altitude, # 75	1
3	101642578	Jet, Altitude, # 78	1
4	101642580	Jet, Altitude, # 80	1
5	101905601	Carburetor Assembly, FE290D (includes items 6 through 15)	1
6	101642582	Jet, Altitude, # 82	1
7	1016437	Gasket, Carburetor Bowl OHV	1
8	1016486	Float Assembly	1
9	1016501	Screw Assembly	1
10	1016585	Bolt	1
11	1017461	Chamber Assembly, Float (includes item 12)	1
12	1016499	Screw Assembly	1
13	101973101	Jet, #40 Pilot	1
14	101973201	Nozzle, Main	1
15	N/A	Assembly, Pilot Air Screw	1
<p>Note: 101642582 for 0 - 3,000 feet; 101642580 for 3,000 - 5,000 feet; 101642578 for 5,000 - 8,000 feet; 101642575 for 8,000 - 10,000 feet; 101642572 for 10,000 feet and higher.</p>			

10

G



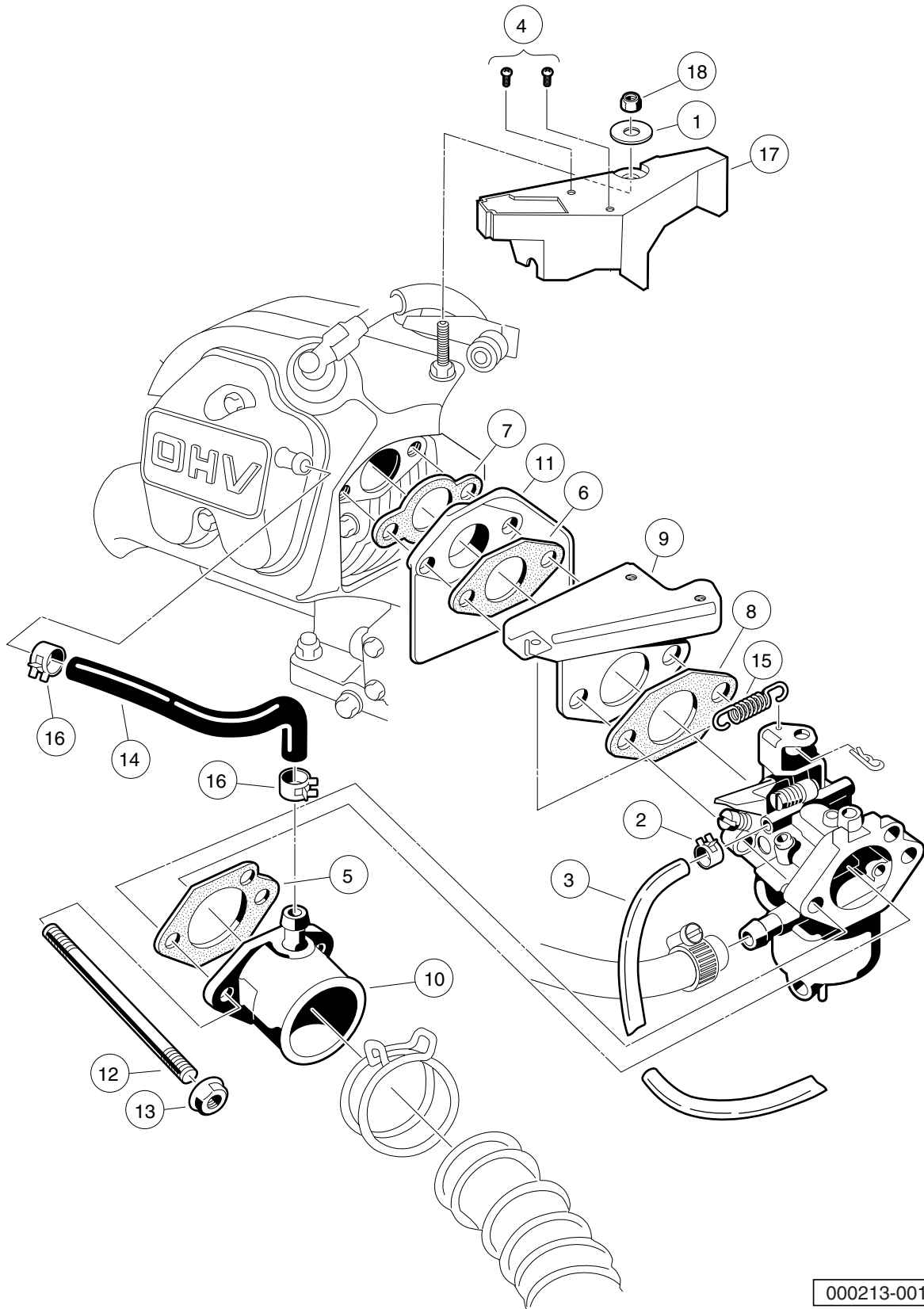
000212-001

CARBURETOR ASSEMBLY – FE350

ITEM	PART NO.	DESCRIPTION	QTY
		1 2 3 4	
1	101642575	Jet, Altitude, # 75	1
2	101642578	Jet, Altitude, # 78	1
3	101642580	Jet, Altitude, # 80	1
4	101642582	Jet, Altitude, # 82	1
5	101905901	Carburetor, FE350D (includes items 6 through 15)	1
6	101642585	Jet, Altitude, # 85	1
7	1016437	Gasket, Carburetor Bowl OHV	1
8	1016486	Float Assembly	1
9	1016501	Screw Assembly	1
10	1016585	Bolt	1
11	1017461	Chamber Assembly, Float (includes item 12)	1
12	1016499	Screw Assembly	1
13	101973101	Jet, #40 Pilot	1
14	101973301	Nozzle, Main	1
15	N/A	Assembly, Pilot Air Screw	1
<p style="margin: 0;">Note: 101642585 for 0 - 3,000 feet; 101642582 for 3,000 - 5,000 feet; 101642580 for 5,000 - 8,000 feet; 101642578 for 8,000 - 10,000 feet; 101642575 for 10,000 feet and higher.</p>			

10

G



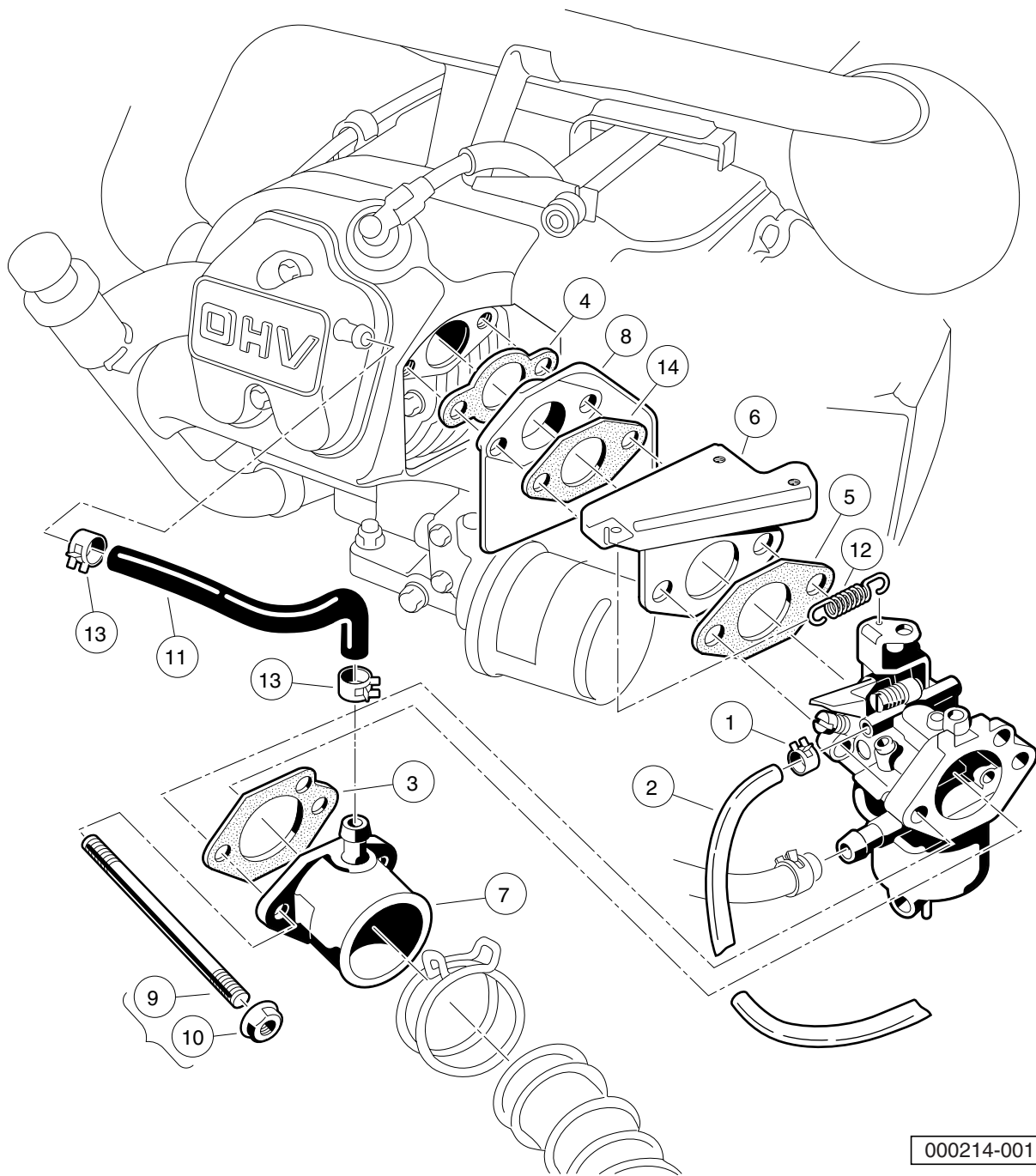
000213-001

CARBURETOR INSTALLATION – FE290

ITEM	PART NO.	DESCRIPTION	QTY
		1 2 3 4	
1	1011697	Washer, 5/16 Flat	1
2	1013746	Clamp, 0.301 ID Hose	1
3	1015137	Fuel Line (available by the foot)	1
4	1016103	Screw, Pan Hd Tx, Taptite 6-32	2
5	1016438	Gasket, Carb To Intake Manifold	1
6	1016439	Gasket, Insulator	1
7	1016440	Gasket, Engine to Insulator	1
8	1016441	Gasket, Sprg Brkt To Carb OHV	1
9	1016444	Bracket, Throttle Spring Return	1
10	1016480	Pipe, Intake Manifold	1
11	101648102	Insulator, Carburetor	1
12	101649002	Stud, M6-1.00 Two-Ended	2
13	1016547	Nut, M6 Flange	2
14	1016572	Tube, Crankcase Vent	1
15	1016582	Spring, Throttle Return	1
16	1017466	Clamp	2
17	101820201	Shield, Governor	1
18	101887601	Locknut, M6-1.00 Nylon Insert	1

10

G

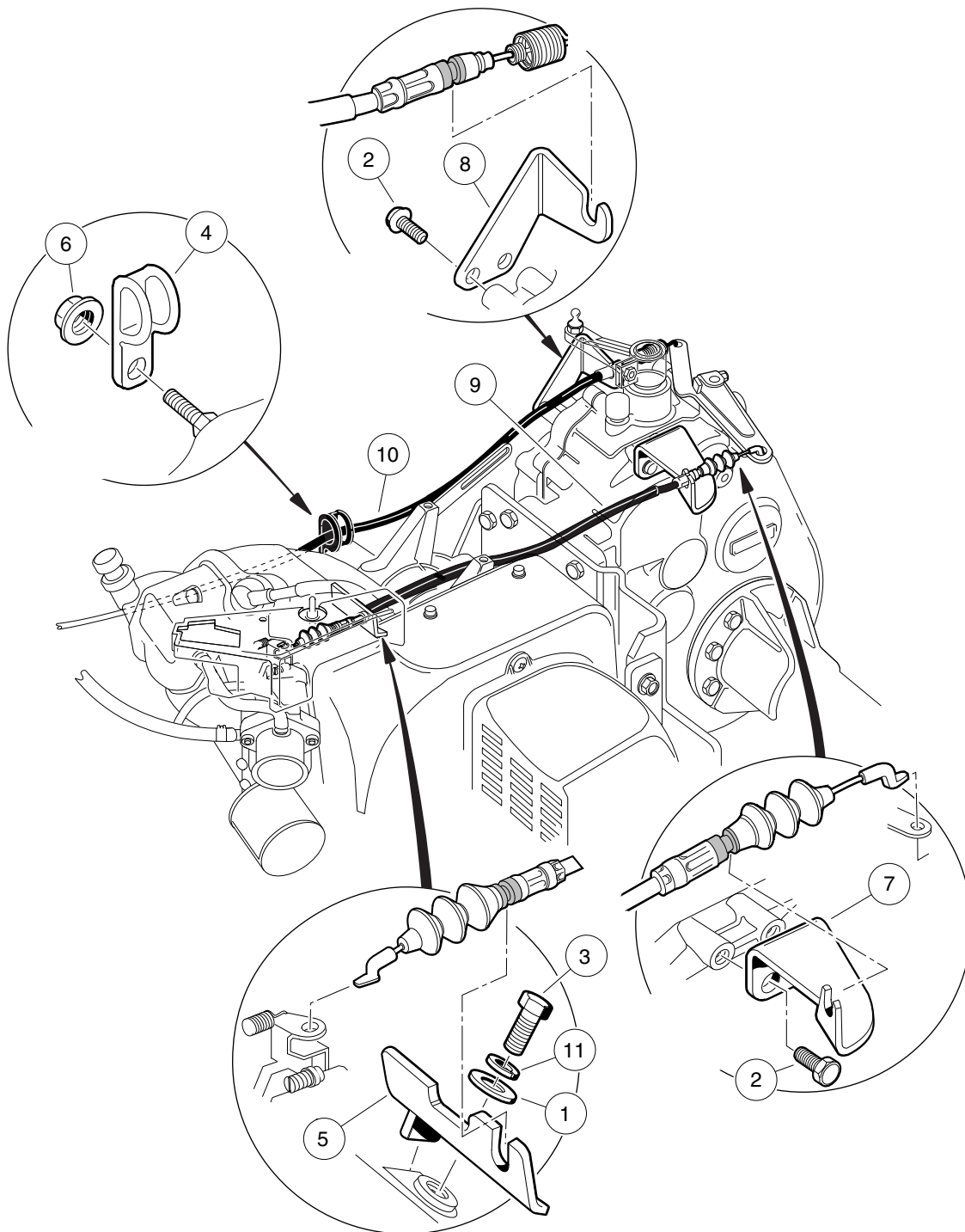


000214-001

CARBURETOR INSTALLATION – FE350

ITEM	PART NO.	DESCRIPTION	QTY
		1 2 3 4	
1	1013746	Clamp, 0.301 ID Hose	1
2	1015137	Fuel Line (available by the foot)	1
3	1016438	Gasket, Carb To Intake Manifold	1
4	1016440	Gasket, Engine to Insulator	1
5	1016441	Gasket, Sprg Brkt To Carb OHV	1
6	1016444	Bracket, Throttle Spring Return	1
7	1016480	Pipe, Intake Manifold	1
8	101648102	Insulator, Carburetor	1
9	101649002	Stud, M6-1.00 Two-Ended	2
10	1016547	Nut, M6 Flange	2
11	1016572	Tube, Crankcase Vent	1
12	1016582	Spring, Throttle Return	1
13	1017466	Clamp	2
14	101973401	Gasket, Insulator To Bracket	1

10
G

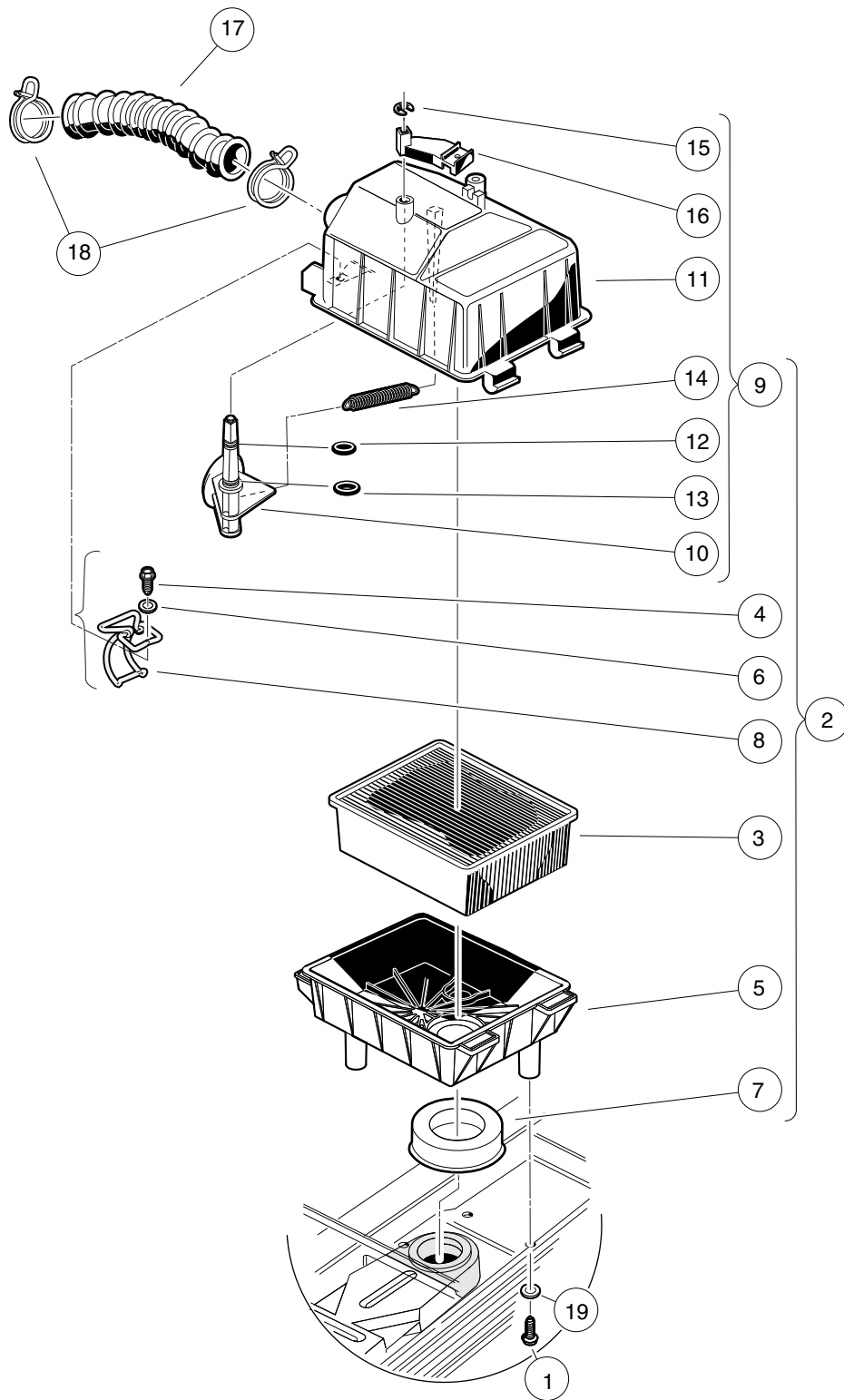


000215-001

GOVERNOR AND ACCELERATOR CABLES

ITEM	PART NO.	DESCRIPTION	QTY
		1 2 3 4	
1	1011697	Washer, 5/16 Flat	1
2	1012285	Screw, 1/4 X 0.625 Hex-Head	4
3	1012830	Screw, M8-125 X 22 Hex-Head	1
4	1013700	Clamp	2
5	101584502	Bracket, Governor Cable Snap-In	1
6	1016546	Nut	2
7	101832202	Bracket, Rear Governor Cable Snap-In	1
8	101832302	Bracket, Rear Accelerator Cable Snap-In	1
9	102336001	Cable, Governor, Snap-In	1
10	102336101	Cable, Accelerator, Snap-In	1
11	7174	Lockwasher, 5/16 Split	1

10
G

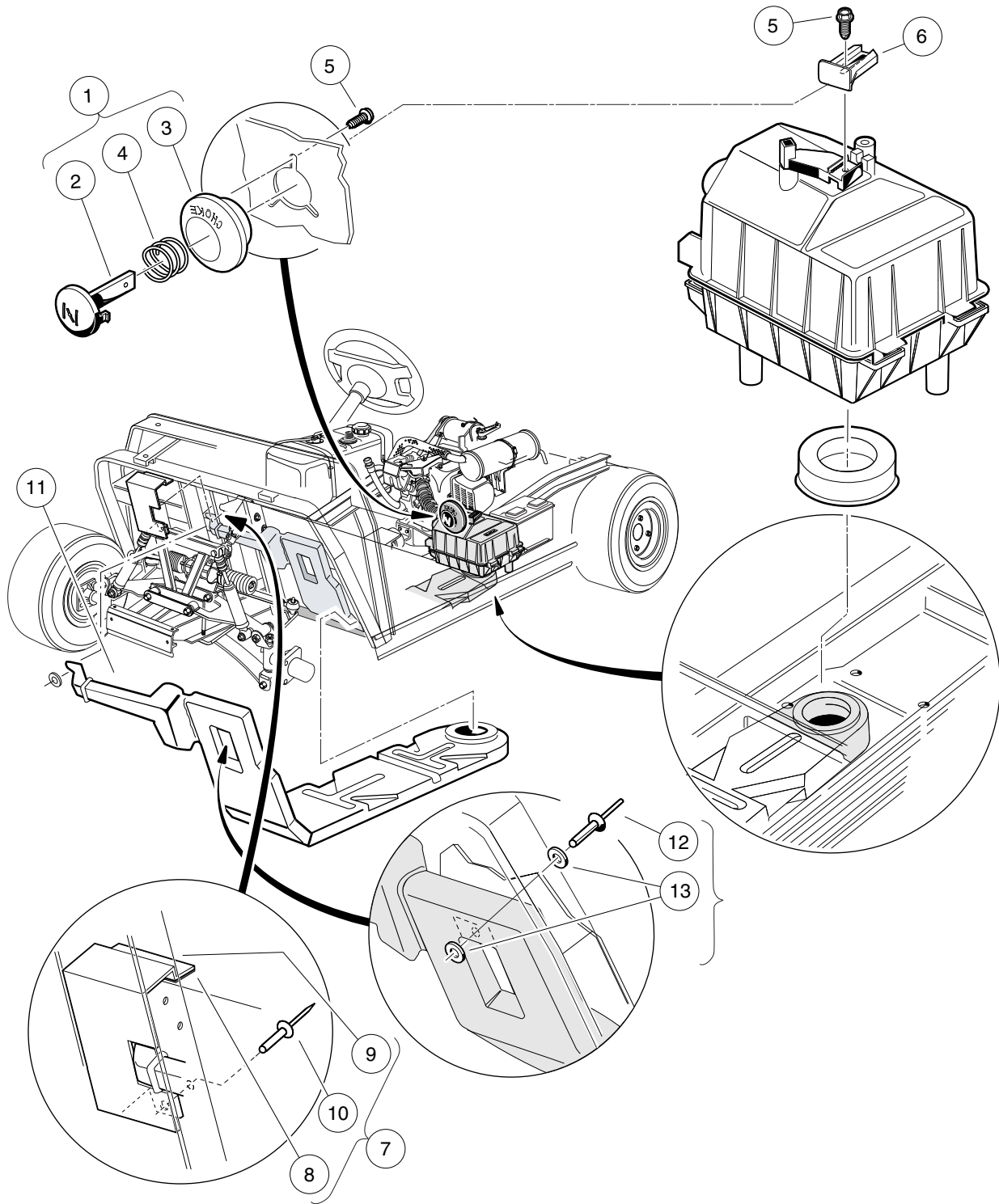


000332-001

AIR BOX AND INTAKE HOSE

ITEM	PART NO.	DESCRIPTION	QTY
		1 2 3 4	
1	1015752	Screw, #12-16 X 0.625 Hi-Lo	3
2	101821501	Assembly, Air Box (includes items 3 through 9)	1
3	1015426	Filter, Air	1
4	101804301	Screw, #8 X 0.500, Hex-Head Hi-Lo	2
5	101811901	Bottom, Air Box	1
6	101881701	Washer, #8 Stainless-Steel Flat	2
7	101921501	Seal, Intake	1
8	101925701	Latch, Wireform	2
9	101972801	Top Assy, Air Box (includes items 10 through 16)	1
10	N/A	Valve, Choke	1
11	101811801	Top, Air Box	1
12	N/A	O-Ring, 5/16	1
13	N/A	O-Ring, 3/8	1
14	101812301	Spring, Extension Return	1
15	101813001	Retaining Ring 0.25, Shaft	1
16	101917601	Lever, Choke	1
17	101837101	Hose, Air Intake	1
18	101971301	Clamp, 1.58" ID Hose	2
19	332	Washer, 1/4 Type A Narrow Flat	3

10
G

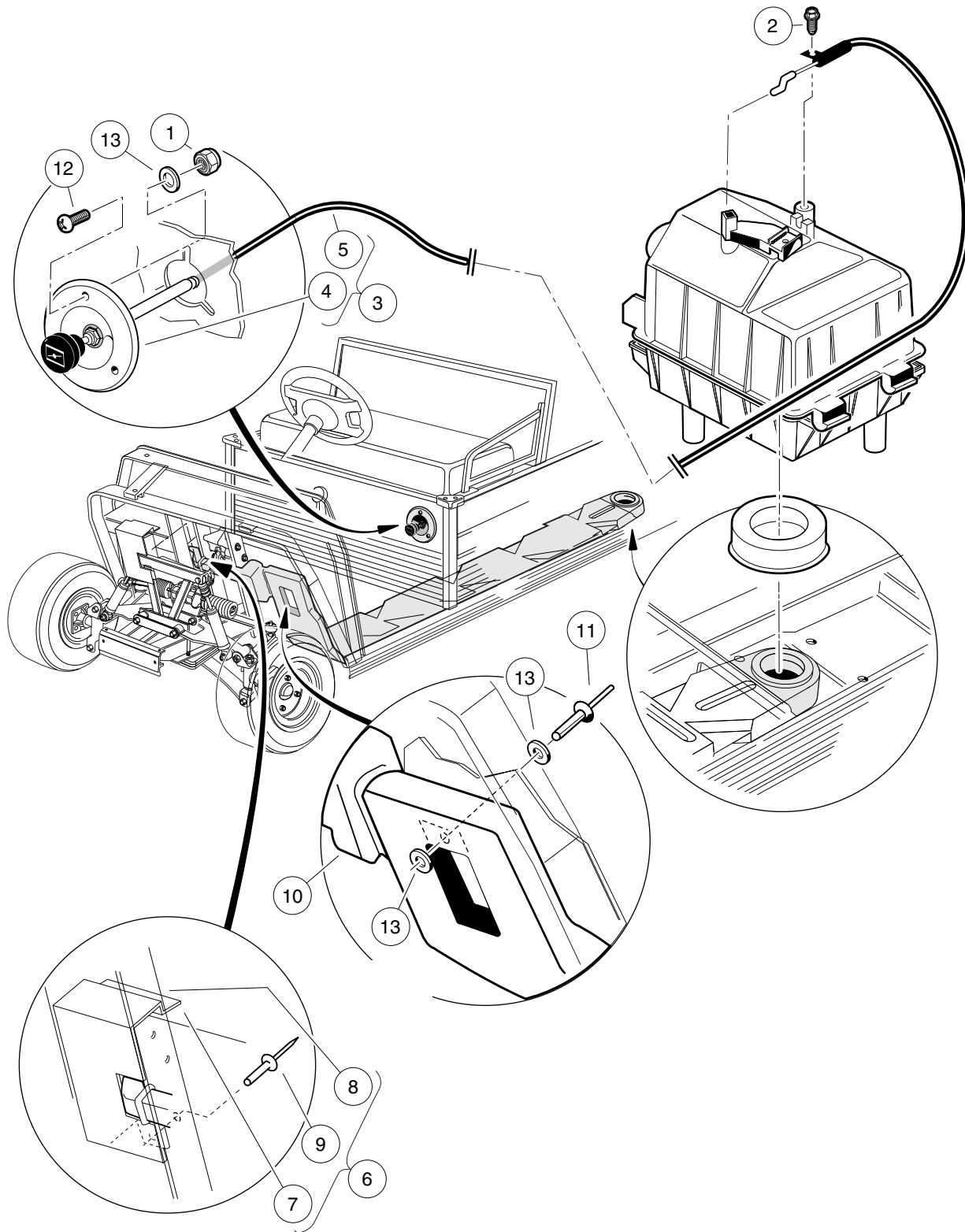


000338-001

INTAKE SYSTEM – TURF/CARRYALL 1

ITEM	PART NO.	DESCRIPTION	QTY
		1 2 3 4	
1	101805701	Button Assembly, Choke (includes items 2 through 4)	1
2	101811401	Lever, Choke	1
3	101811501	Guide, Choke Lever	1
4	101856201	Compression Spring	1
5	101850301	Screw, #12-16 X 0.50 Washer-Head Hi-Lo	4
6	101917701	Choke Positioner	1
7	102190702	Kit, Air Duct Shield (includes items 8 through 10)	1
8	102185401	Tape, 3M VHB 4950	1
9	N/A	Shield, Air Duct	1
10	7973	Rivet, 3/16 X .400 Blind	1
11	103520301	Duct, Air Intake, Ds	1
12	1606	Rivet, 3/16 X .500 Alum Pop	2
13	183	Washer, #10 Type A Flat	4

10
G

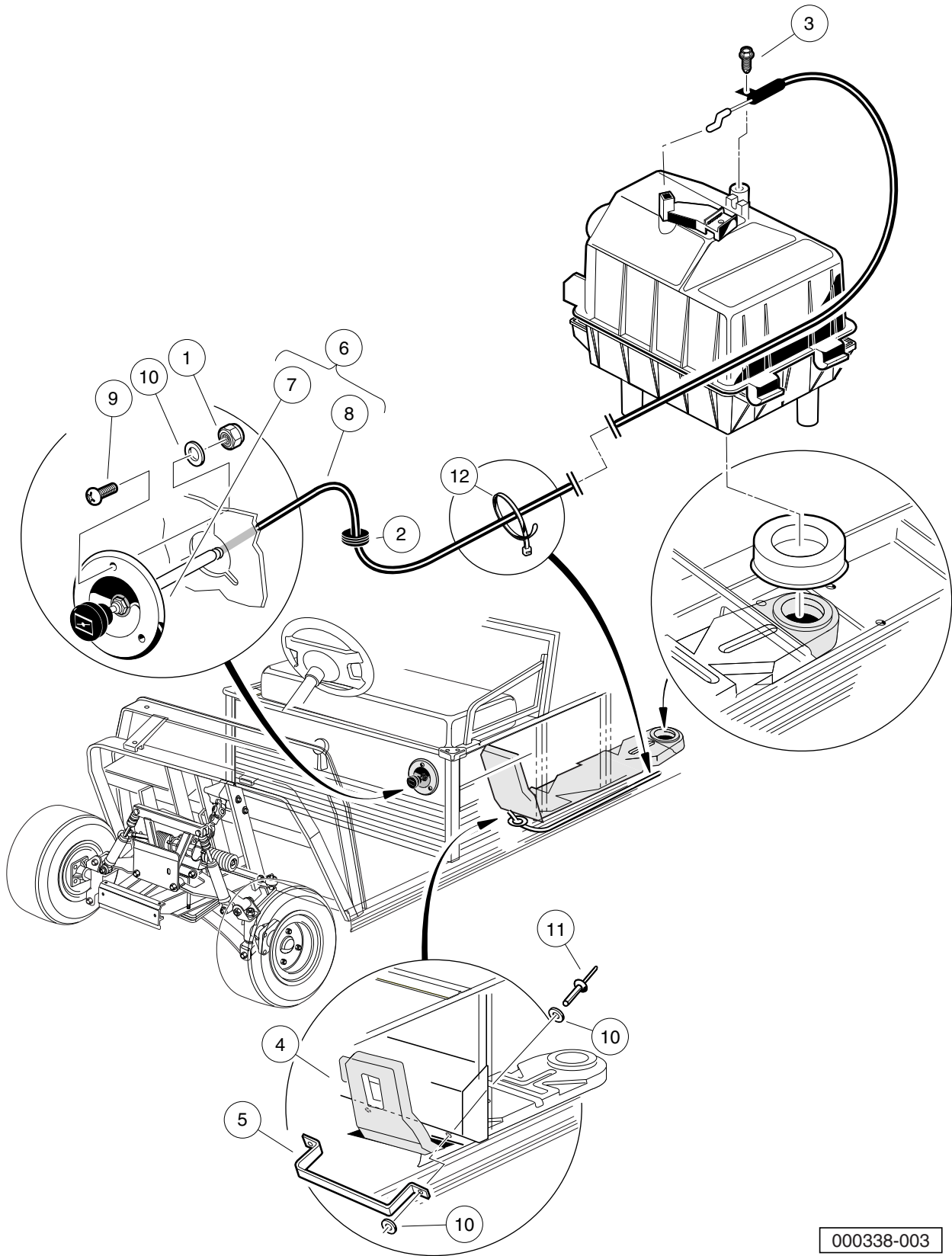


000338-002

INTAKE SYSTEM – TURF/CARRYALL 2, 2 XRT, 252, AND CARRYALL 2 PLUS

ITEM	PART NO.	DESCRIPTION	QTY
		1 2 3 4	
1	1012438	Locknut, #10-24 Nylon Insert	3
2	101804301	Screw, #8 X 0.500, Hex-Head Hi-Lo	1
3	101926801	Cable, Choke (includes items 4 and 5)	1
4	101933701	Bezel, Choke Cable	1
5	N/A	Choke Cable without Bezel, Short	1
6	102190702	Kit, Air Duct Shield (includes items 7 through 9)	1
7	102185401	Tape, 3M VHB 4950	1
8	N/A	Shield, Air Duct	1
9	7973	Rivet, 3/16 X .400 Blind	1
10	103520401	Duct, Air Intake, Ca li	1
11	1606	Rivet, 3/16 X .500 Alum Pop	2
12	1631	Screw, #10-24 X 0.75 Phillips Pan-Head	3
13	183	Washer, #10 Type A Flat	7

10
G



000338-003

INTAKE SYSTEM – TURF/CARRYALL 6

ITEM	PART NO.	DESCRIPTION	QTY
		1 2 3 4	
1	1012438	Locknut, #10-24 Nylon Insert	3
2	1015139	Insulation Grommet	1
3	101804301	Screw, #8 X 0.500, Hex-Head Hi-Lo	1
4	101811301	Duct, Intake	1
5	101825701	Retaining Bracket	1
6	101926802	Cable, Choke (includes items 7 and 8)	1
7	101933701	Bezel, Choke Cable	1
8	N/A	Choke Cable without Bezel, Long	1
9	1631	Screw, #10-24 X 0.75 Phillips Pan-Head	3
10	183	Washer, #10 Type A Flat	7
11	7973	Rivet, 3/16 X .400 Blind	2
12	8639	Tie Wrap, 11" Nylon	2

10
G

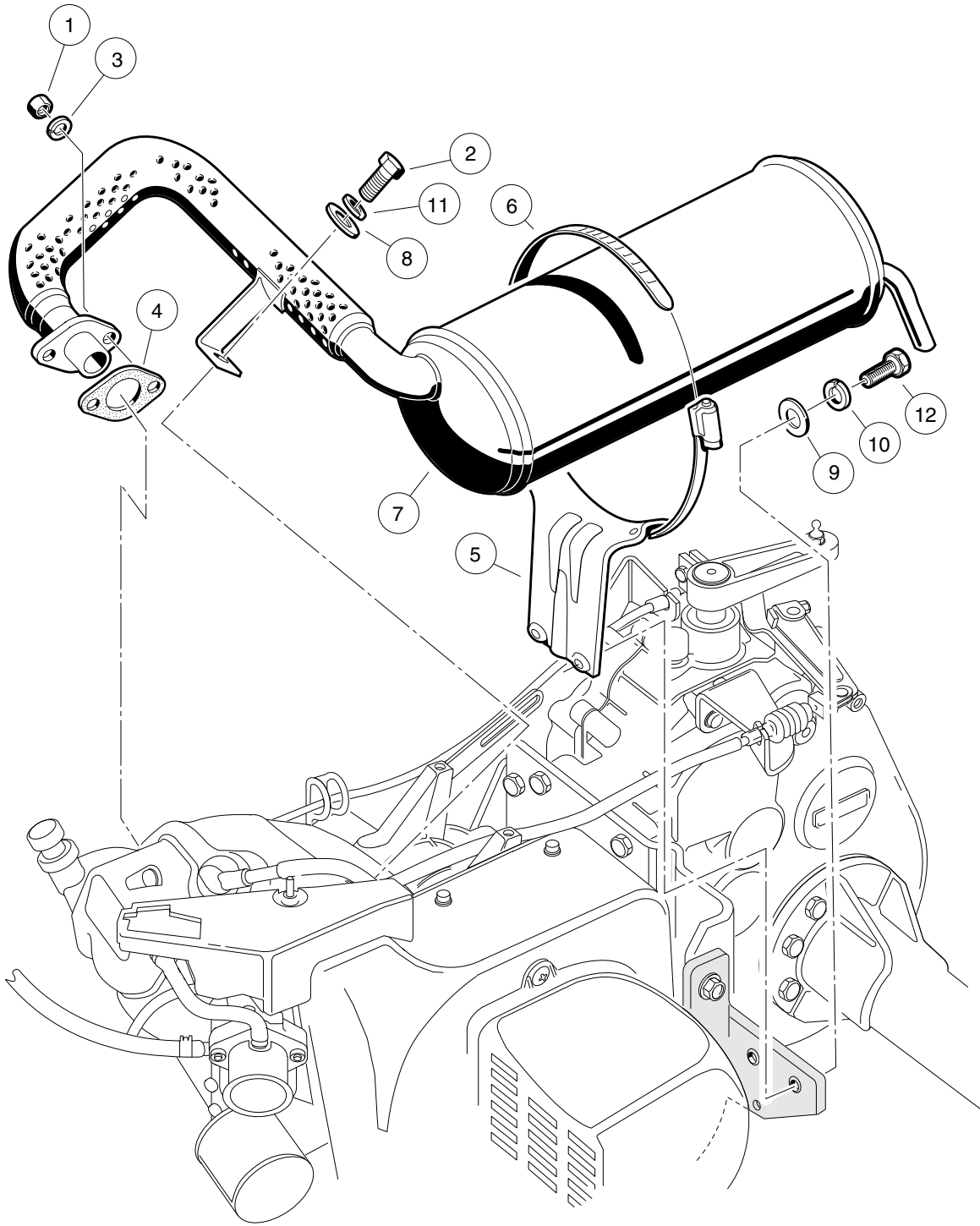
10

G

EXHAUST SYSTEM

11

G



000208-001

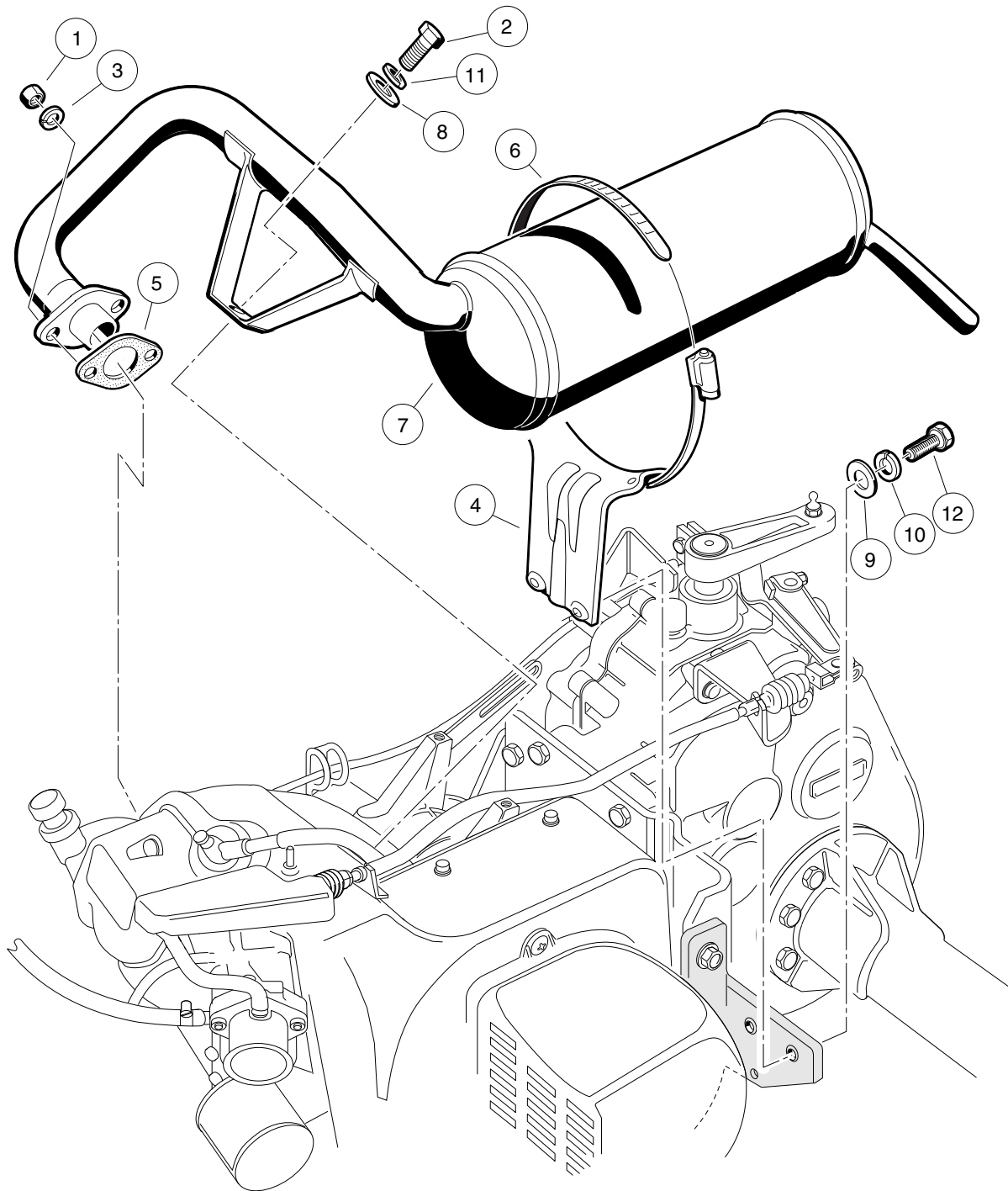
EXHAUST SYSTEM – FE290 ENGINE

ITEM	PART NO.	DESCRIPTION	QTY
		1 2 3 4	
1	1012528	Nut, M8-1.25 Hex	2
2	1012830	Screw, M8-125 X 22 Hex-Head	1
3	1013734	Lockwasher, 8mm Split	2
4	1015330	Gasket, Exhaust	1
5	1015814	Bracket, Muffler Mounting	1
6	1017689	Clamp, 5" Muffler Hose	1
7	101859301	Exhaust System, FE290	1
8	1241	Washer, 5/16 Type A Flat	1
9	332	Washer, 1/4 Type A Narrow Flat	2
10	451	Lockwasher, 1/4 Split	2
11	7174	Lockwasher, 5/16 Split	1
12	7847	Screw, 1/4-20 X 0.75 Hex-Head Cap	2

11

G

11
G



000209-001

EXHAUST SYSTEM – FE350 ENGINE

ITEM	PART NO.	DESCRIPTION	QTY
		1 2 3 4	
1	1012528	Nut, M8-1.25 Hex	2
2	1012830	Screw, M8-125 X 22 Hex-Head	1
3	1013734	Lockwasher, 8mm Split	2
4	1015814	Bracket, Muffler Mounting	1
5	1016904	Gasket, Exhaust	1
6	1017689	Clamp, 5" Muffler Hose	1
7	101859401	Exhaust System, FE350	1
8	1241	Washer, 5/16 Type A Flat	1
9	332	Washer, 1/4 Type A Narrow Flat	2
10	451	Lockwasher, 1/4 Split	2
11	7174	Lockwasher, 5/16 Split	1
12	7847	Screw, 1/4-20 X 0.75 Hex-Head Cap	2

11
G

11

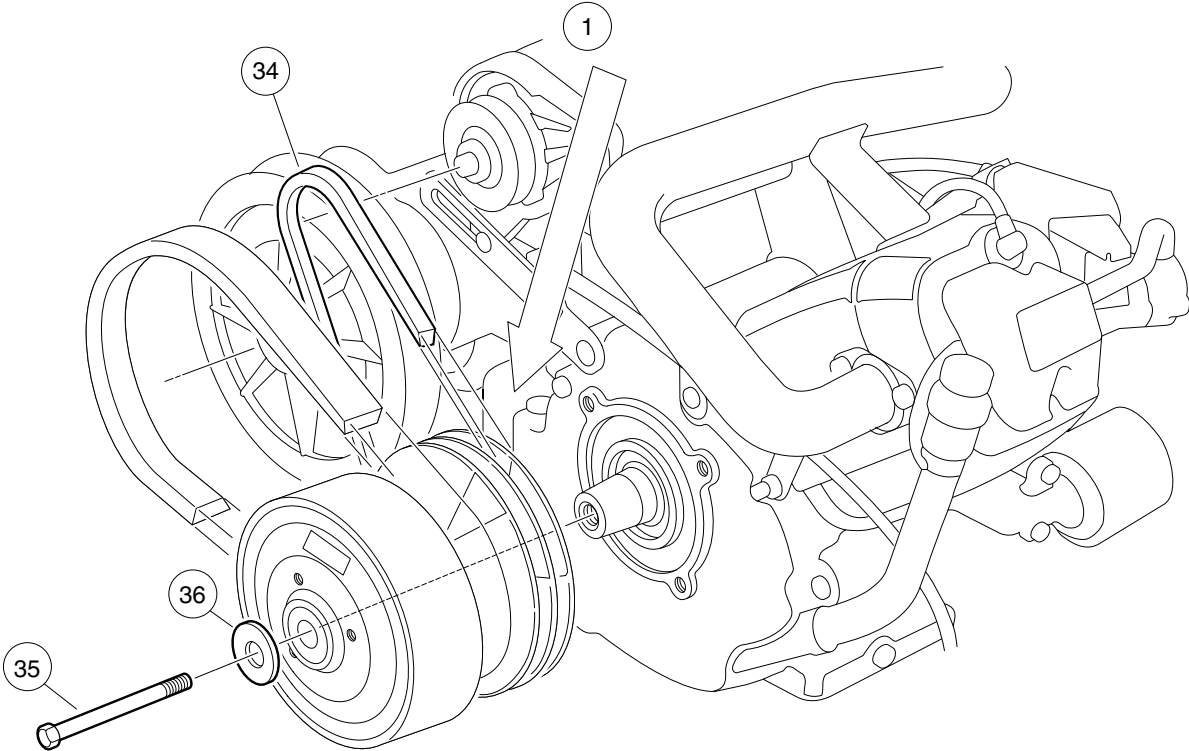
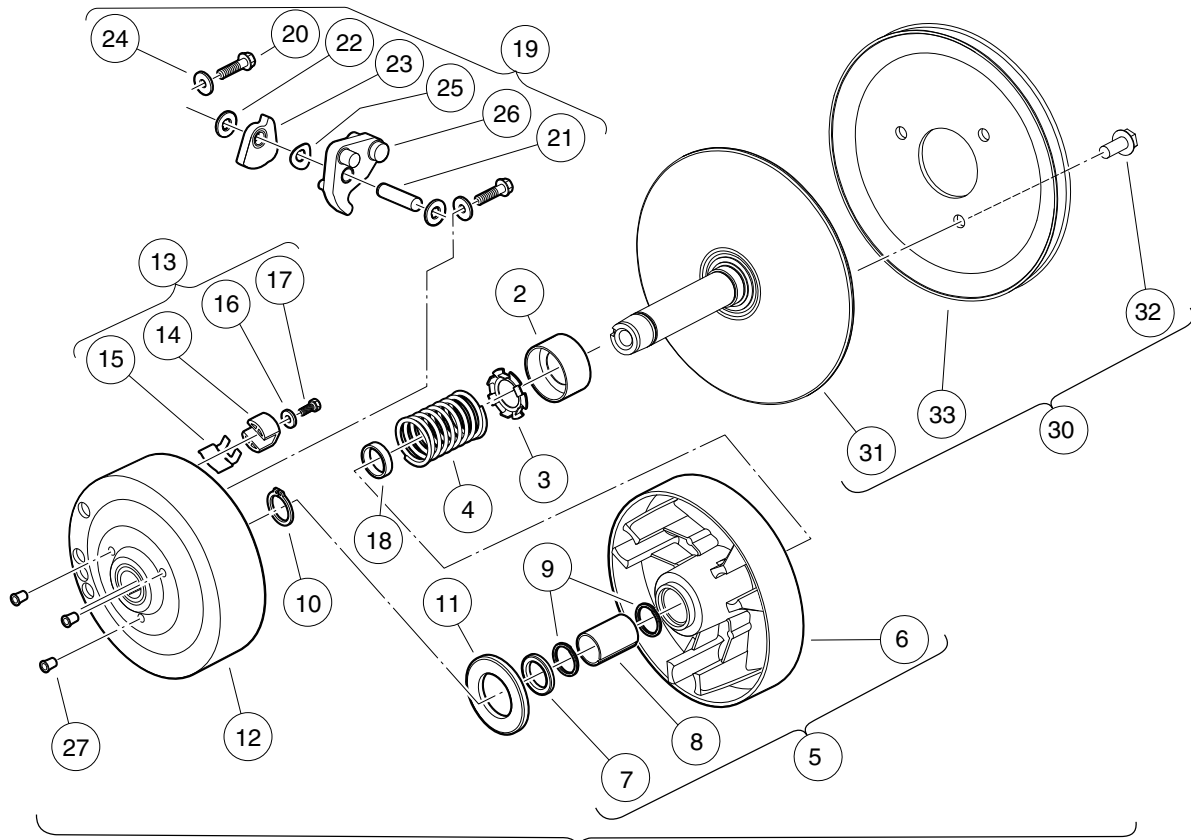
G

TORQUE CONVERTER

12

G

12
G



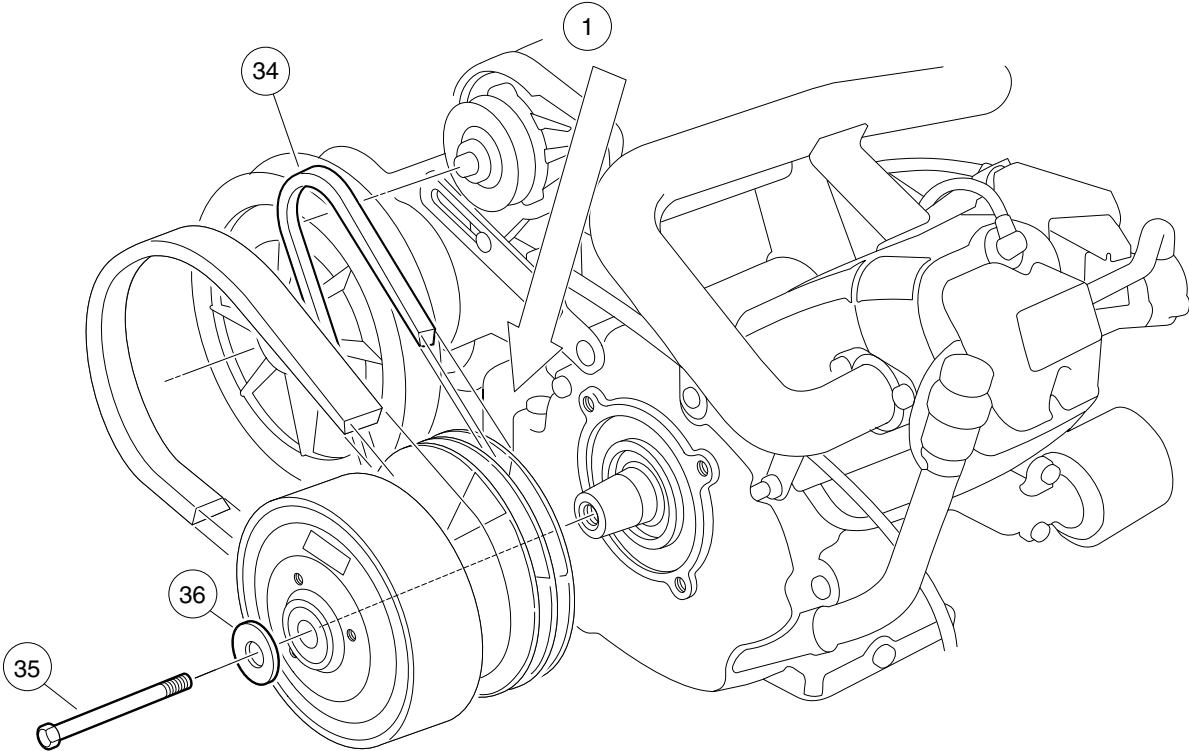
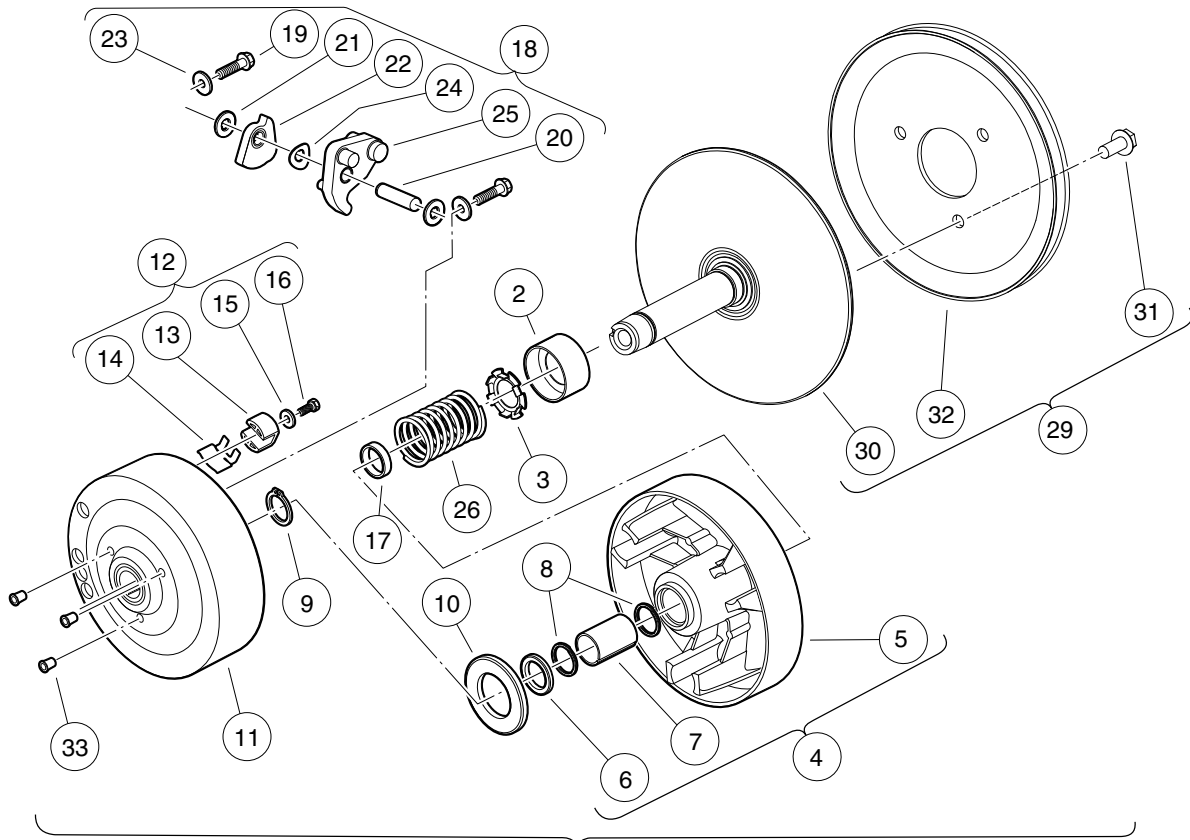
000217-001

DRIVE CLUTCH – TURF/CARRYALL 1, 2, 2 XRT, AND 252

ITEM	PART NO.	DESCRIPTION	QTY
		1 2 3 4	
1	101833902	Clutch, Drive (includes items 2 through 28)	1
2	1014049	Bearing, Idler	1
3	1014050	Retainer, Spring	1
4	1014051	Spring, Drive Clutch	1
5	1014052	Movable-Face Assembly (includes items 6 through 8)	1
6	N/A	Drive Clutch Movable Face	1
7	1014055	Retainer	1
8	N/A	Bushing, Split, Drive Clutch	1
9	1014056	Ring, Spiral Backup	2
10	1014057	Ring, 0.810" Internal Retaining	1
11	1014058	Thrust Washer	1
12	1014059	Drive Hub Assy, Drive Clutch	1
13	1014453	Kit, Drive Clutch Button (includes items 14 through 17)	1
14	1014062	Driver, Drive Clutch	3
15	1014287	Spring, Drive Button	3
16	183	Washer, #10 Type A Flat	3
17	8450	Screw, #10-24 X 0.50 Hex-Head	3
18	1016289	Spacer, Fixed Face Shaft	1
19	1016801	Kit, Drive Clutch Weight (includes items 20 through 26)	1
20	1014063	Screw, 1/4-20 X 1.00 Hex Head	6
21	N/A	Pin, 0.3752 X 1.50 Dowel	3
22	1014065	Washer, 0.38" ID Delrin Flat	6
23	N/A	Clutch Weight, Secondary	3
24	N/A	Washer	6
25	1016201	Washer, Wave	3
26	N/A	Weight, Primary	3
27	101925601	Plug, Drive Clutch	3
28	101929802	Kit, Fxd Face Dr Asm Fe290/350 (includes items 29 and 30)	1
29	N/A	Desiccant Bag (Not Shown)	1
30	101929801	Assembly, Fixed-Face Drive (includes items 31 through 33)	1
31	N/A	Fixed Face Assembly, Drive Clutch	1
32	1014288	Screw, 5/16-18 X 0.75 Thread-Forming	3
33	N/A	Pulley, Clutch	1
34	101916701	V-Belt	1
35	103345701	Screw 3/8-24x5.5 Hex Loc Ptch	1
36	808	Washer, 3/8 Type B Flat	1
		Note: Item 29 not shown.	

12

G



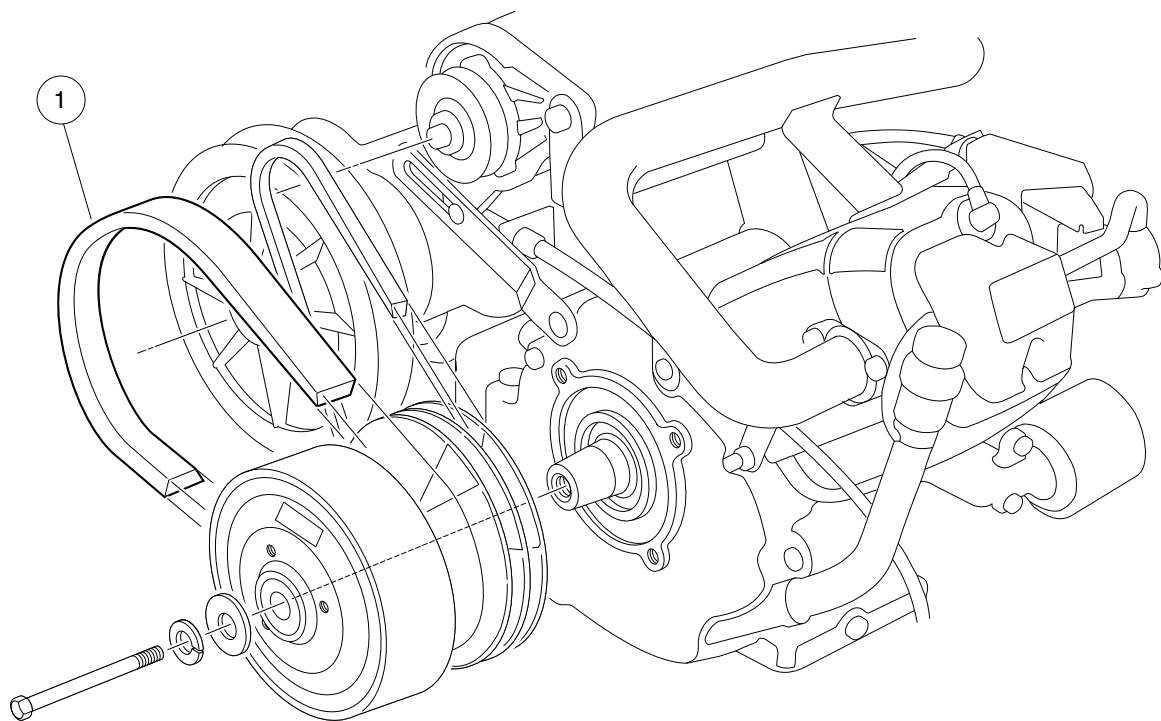
000217-002

DRIVE CLUTCH – CARRYALL 2 PLUS, AND TURF/CARRYALL 6

12

G

ITEM	PART NO.	DESCRIPTION	QTY
		1 2 3 4	
1	101833904	Assembly, Drive Clutch (includes items 2 through 33)	1
2	1014049	Bearing, Idler	1
3	1014050	Retainer, Spring	1
4	1014052	Movable-Face Assembly (includes items 5 through 7)	1
5	N/A	Drive Clutch Movable Face	1
6	1014055	Retainer	1
7	N/A	Bushing, Split, Drive Clutch	1
8	1014056	Ring, Spiral Backup	2
9	1014057	Ring, 0.810" Internal Retaining	1
10	1014058	Thrust Washer	1
11	1014059	Drive Hub Assy, Drive Clutch	1
12	1014453	Kit, Drive Clutch Button (includes items 13 through 16)	1
13	1014062	Driver, Drive Clutch	3
14	1014287	Spring, Drive Button	3
15	183	Washer, #10 Type A Flat	3
16	8450	Screw, #10-24 X 0.50 Hex-Head	3
17	1016289	Spacer, Fixed Face Shaft	1
18	1016801	Kit, Drive Clutch Weight (includes items 19 through 25)	1
19	1014063	Screw, 1/4-20 X 1.00 Hex Head	6
20	N/A	Pin, 0.3752 X 1.50 Dowel	3
21	1014065	Washer, 0.38" ID Delrin Flat	6
22	N/A	Clutch Weight, Secondary	3
23	N/A	Washer	6
24	1016201	Washer, Wave	3
25	N/A	Weight, Primary	3
26	1016901	Spring, Drive Clutch	1
27	101738302	Kit, Fixed Face - Drive (includes items 28 and 29)	1
28	N/A	Desiccant Bag (Not Shown)	1
29	101738301	Fixed Face Drive (includes items 30 through 32)	1
30	N/A	Fixed Face Assembly, Drive Clutch	1
31	1014288	Screw, 5/16-18 X 0.75 Thread-Forming	3
32	1016011	Pulley, Drive Clutch	1
33	N/A	Cap Plug	3
34	101916701	V-Belt	1
35	103345701	Screw 3/8-24x5.5 Hex Loc Ptch	1
36	808	Washer, 3/8 Type B Flat	1
Note: Item 28 not shown.			



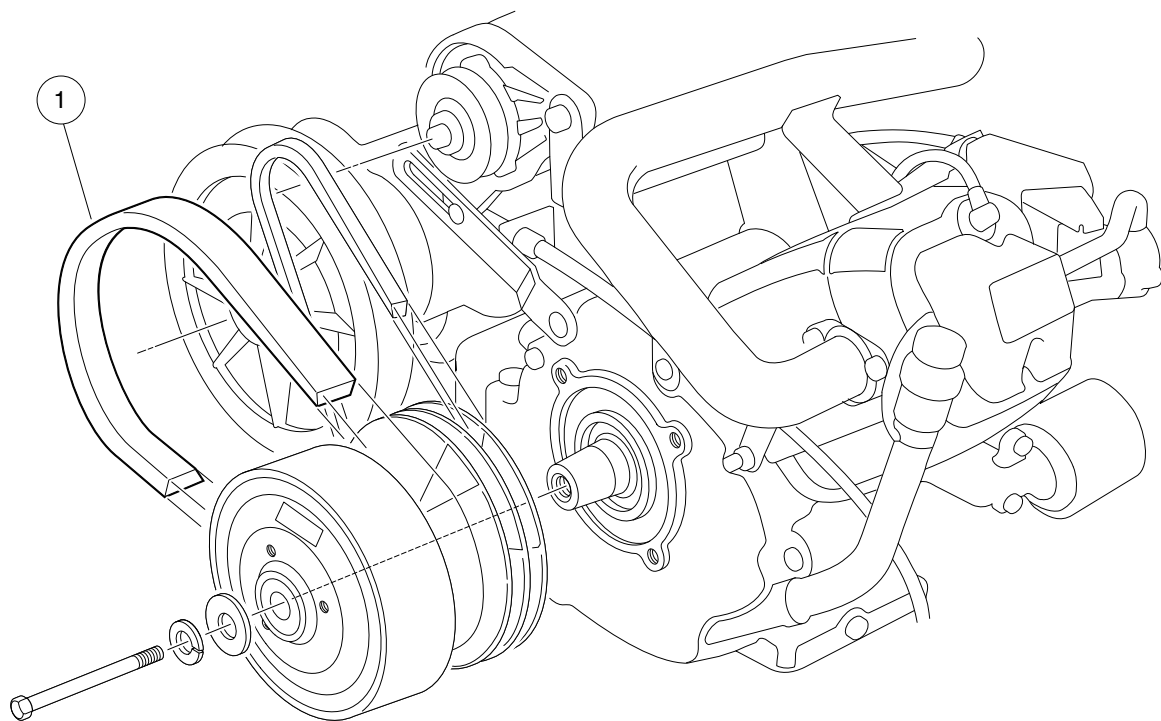
000218-001

DRIVE BELT – FE290

ITEM	PART NO.	DESCRIPTION	QTY
1	1016203	<div style="display: flex; justify-content: space-between; margin-bottom: 5px;"> 1 2 3 4 </div> Belt, Drive	1

12

G



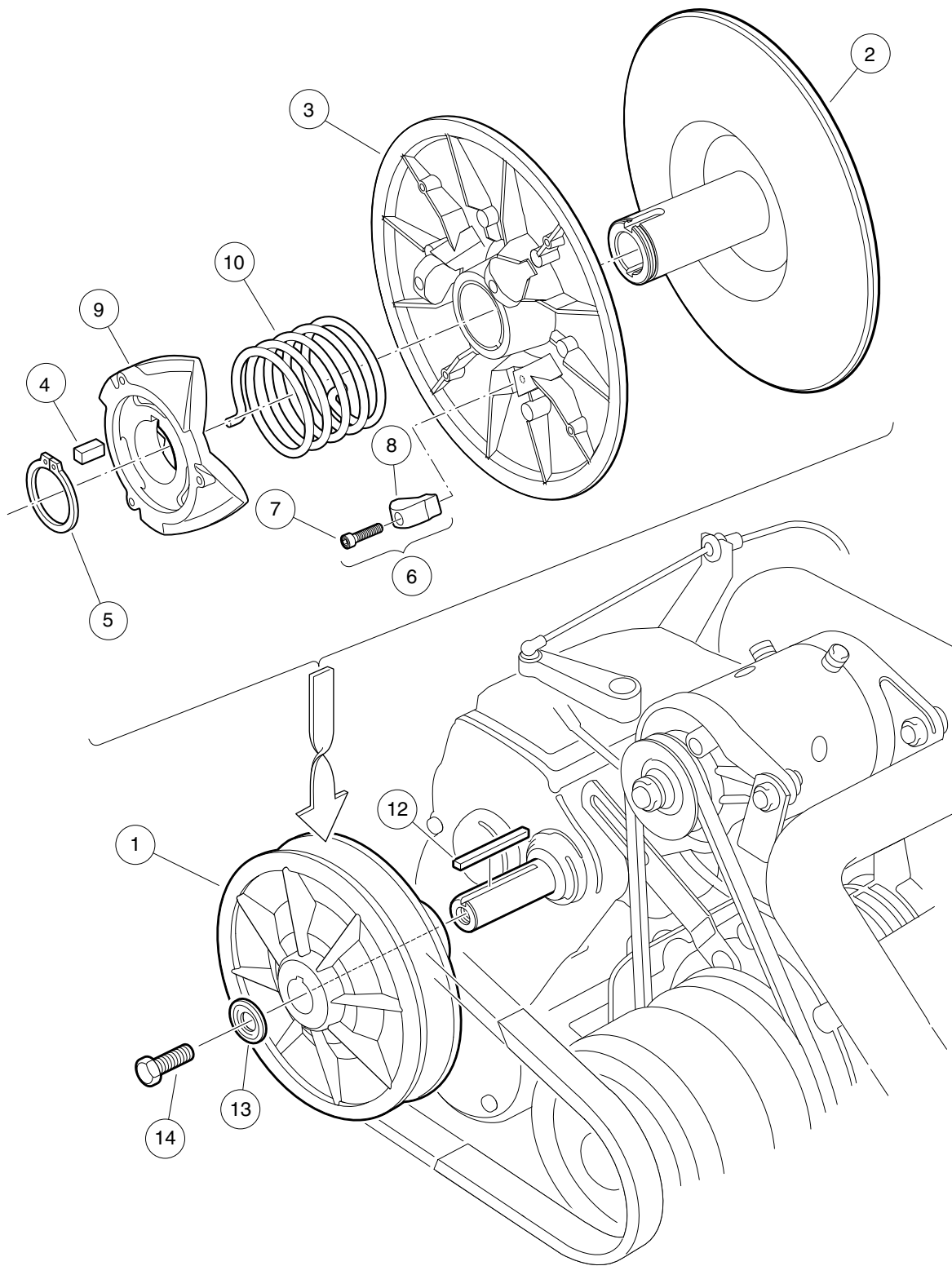
000218-001

DRIVE BELT – FE350

ITEM	PART NO.	DESCRIPTION	QTY
1	1017188	<div style="display: flex; justify-content: space-between; margin-bottom: 5px;"> 1 2 3 4 </div> Belt, Drive (FE350)	1

12

G



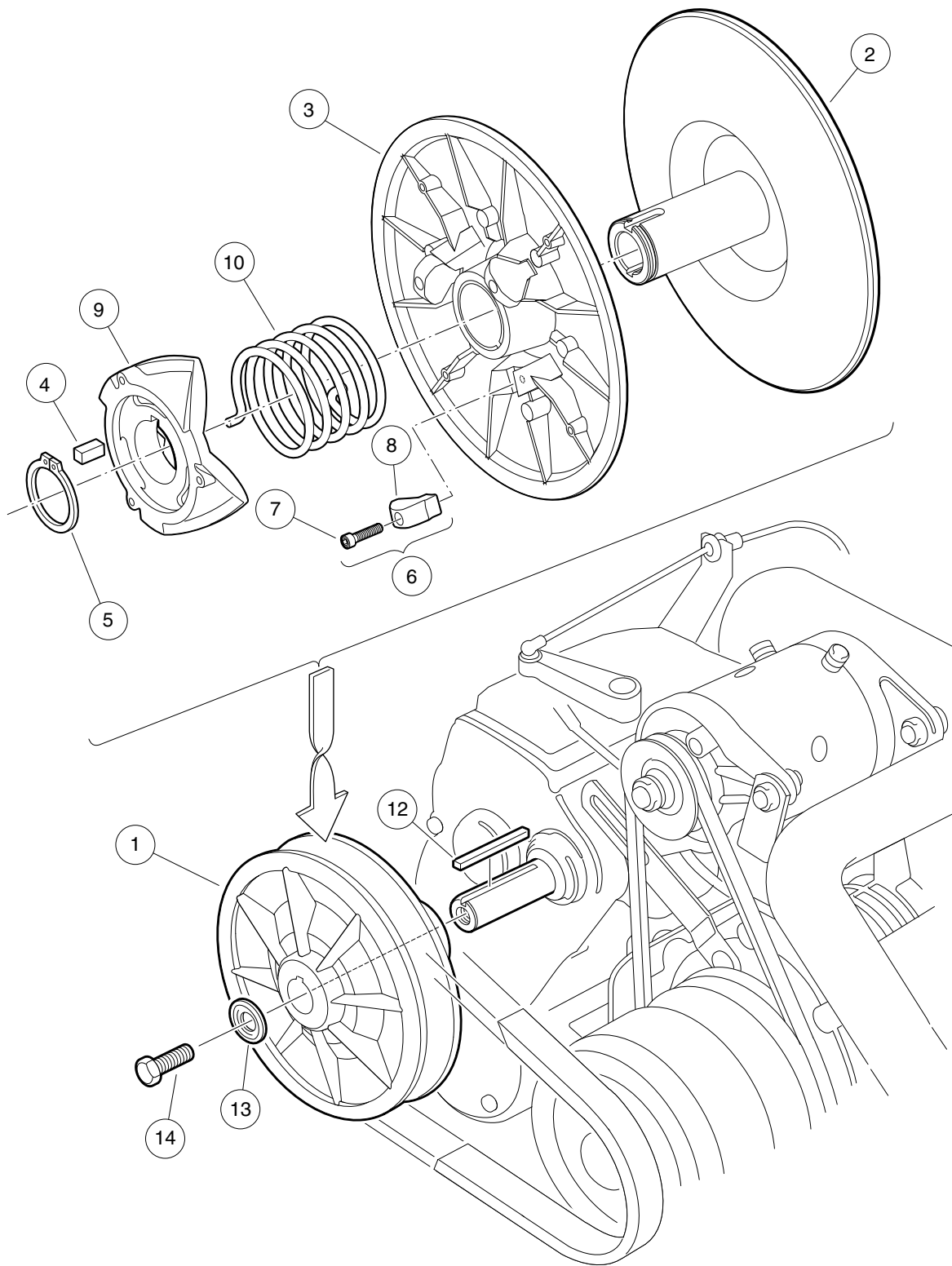
000219-001

DRIVEN CLUTCH – TURF/CARRYALL 1, 2, 2 XRT, 252, AND TURF/ CARRYALL 6

ITEM	PART NO.	DESCRIPTION	QTY
		1 2 3 4	
1	101834001	Assembly, Driven Clutch (includes items 2 through 10)	1
2	1014070	Fixed Face Assy, Driven Clutch	1
3	1014072	Movable-Face Assembly with Bushing	1
4	1014078	Key, Driven Clutch	1
5	1014080	Ring, Retaining	1
6	1014454	Kit, Driven Clutch Button (includes items 7 and 8)	1
7	1012836	Screw, #8-32 X 3/4 Socket-Head Cap	3
8	1014076	Button, Drive	3
9	1017686	Cam, Driven Clutch	1
10	101836201	Spring, Driven Clutch, Reversed	1
11	AM10419	Kit, Clutch Repair (includes items 12 through 14)	1
12	101833401	Key, 3/16 Sq X 1.50"	1
13	102155801	Washer, Driven Clutch	1
14	102242101	Screw, 5/16-18 X 3/4 Hex-Head with Patch	1

12

G



000219-001

DRIVEN CLUTCH – CARRYALL 2 PLUS

ITEM	PART NO.	DESCRIPTION	QTY
		1 2 3 4	
1	101834003	Clutch, Driven (includes items 2 through 10)	1
2	1014070	Fixed Face Assy, Driven Clutch	1
3	1014072	Movable-Face Assembly with Bushing	1
4	1014078	Key, Driven Clutch	1
5	1014080	Ring, Retaining	1
6	1014454	Kit, Driven Clutch Button (includes items 7 and 8)	1
7	1012836	Screw, #8-32 X 3/4 Socket-Head Cap	3
8	1014076	Button, Drive	3
9	1017686	Cam, Driven Clutch	1
10	101836202	Spring, Driven Clutch, Reversed	1
11	AM10419	Kit, Clutch Repair (includes items 12 through 14)	1
12	101833401	Key, 3/16 Sq X 1.50"	1
13	102155801	Washer, Driven Clutch	1
14	102242101	Screw, 5/16-18 X 3/4 Hex-Head with Patch	1

12

G

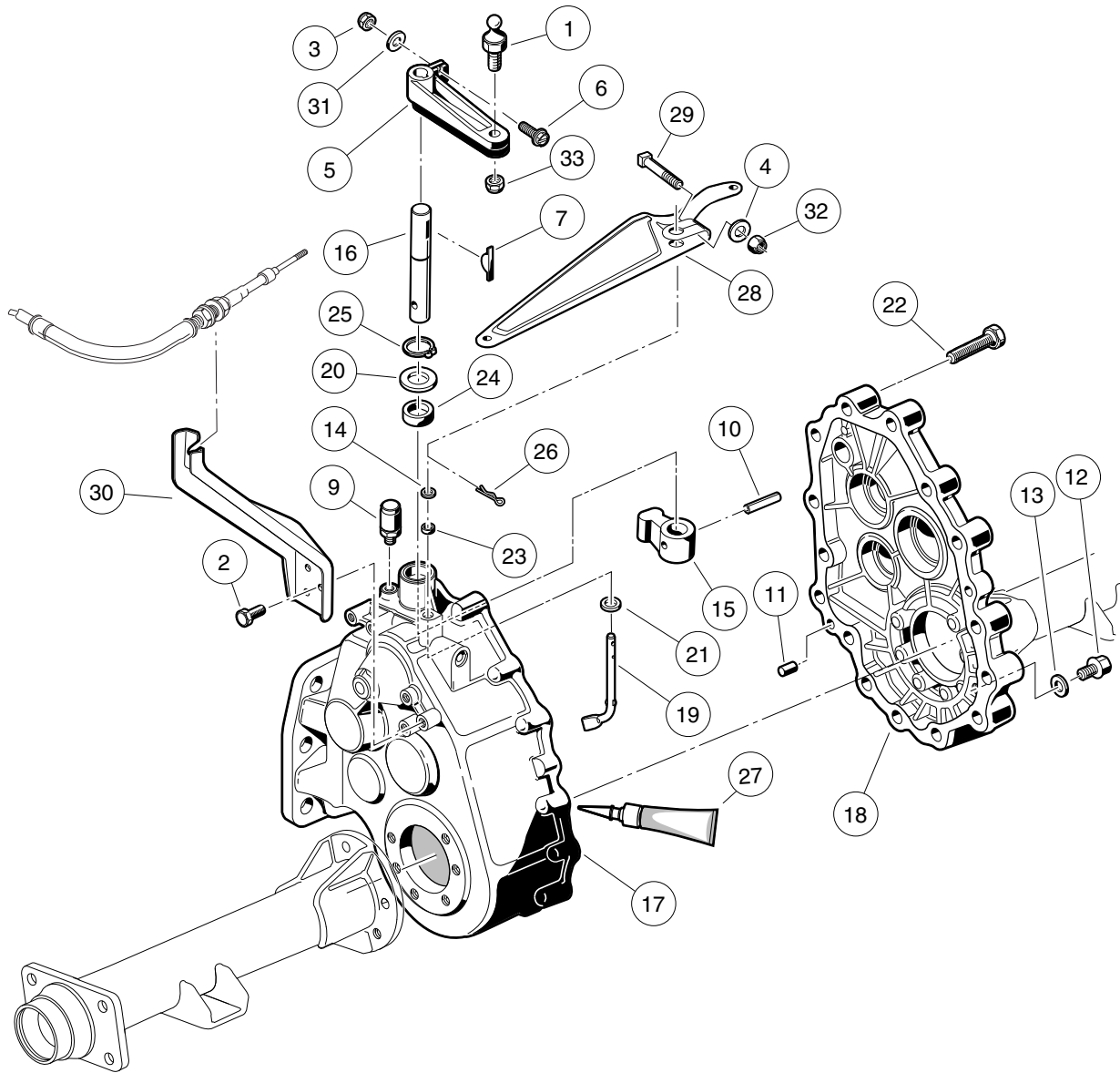
12

G

UNITIZED TRANSAXLE

13

G



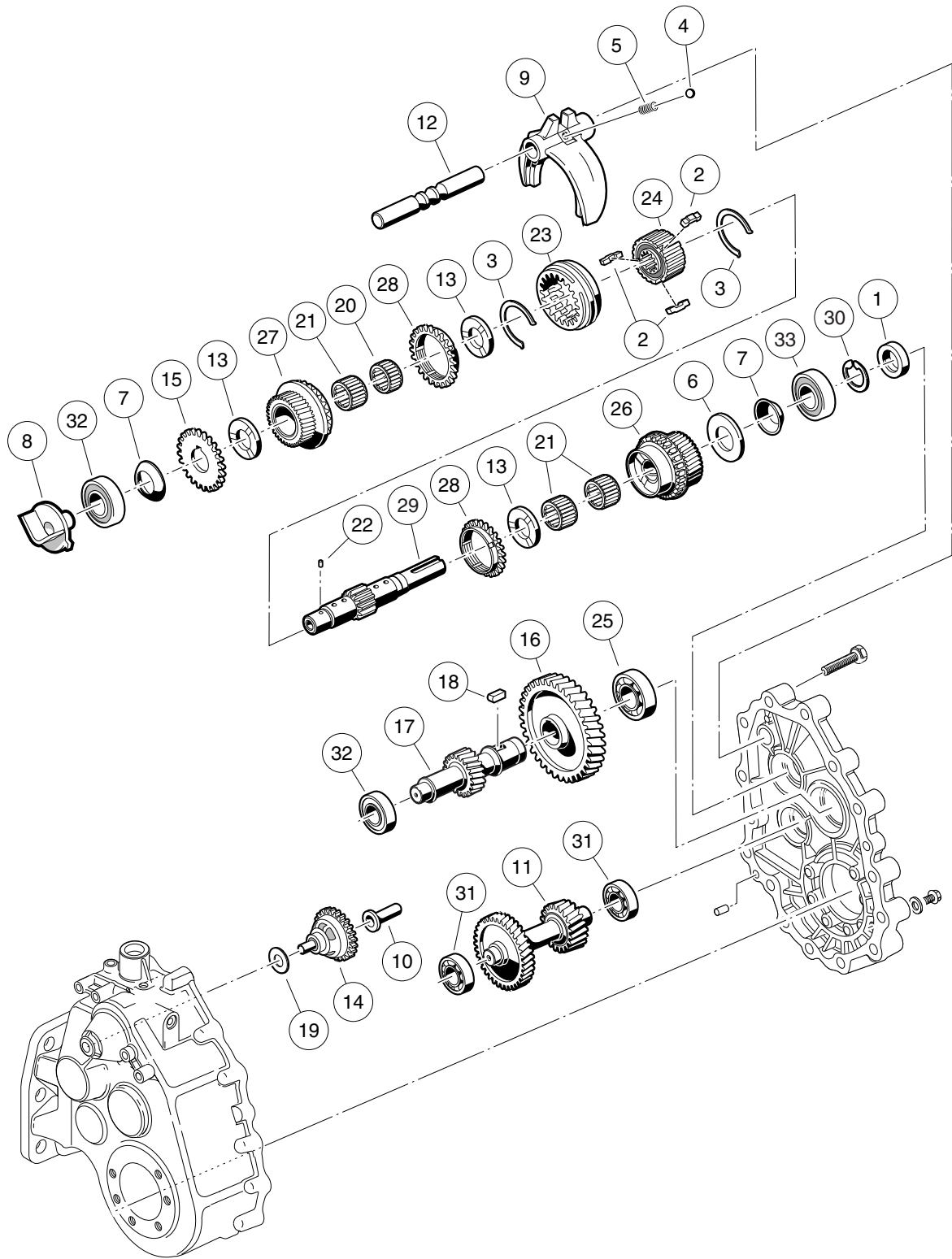
000220-001

TRANSAXLE – GASOLINE VEHICLES, GEAR CASES AND BRACKETS

ITEM	PART NO.	DESCRIPTION	QTY
		1 2 3 4	
1	1010954	Stud, 1/4-28 X 0.560 Ball	1
2	1012285	Screw, 1/4 X 0.625 Hex-Head	3
3	1013061	Locknut, #10-32 Nylon Insert	1
4	1014007	Washer, 1/4 Flat	1
5	1016341	Lever, Transmission Shift	1
6	1017082	Screw, #10-32 X 0.75, Hex-Head Machine	1
7	1017231	Key, Woodruff	1
8	101833601	Transaxle, 11.77 Ratio (includes items 9 through 27)	1
9	1012711	Breather	1
10	1012752	Roll Pin	1
11	1012896	Pin, Dowel	2
12	1013760	Fill Plug	2
13	1016432	Gasket, Drain Plug	1
14	1016513	Washer, M6 Flat	1
15	101890101	Lever, Change	1
16	101890201	Shaft - Change	1
17	101890501	Gear Case (driver side)	1
18	101890601	Gear Case (passenger side)	1
19	101891301	Arm Pivot	1
20	101892901	Washer	1
21	101893801	Washer	1
22	101926901	Screw, M8-1.25 X 40mm Hex-Head	15
23	101927101	Seal, Oil	1
24	101927201	Seal, Oil	1
25	101927301	Snap Ring	1
26	101928601	Pin, Cotter	1
27	101928701	Liquid Gasket (Transaxle case)	1
28	101834801	Arm, Governor	1
29	101886101	Screw, 1/4-20 X 1.00 Square-Head	1
30	102045901	Bracket, Shifter	1
31	183	Washer, #10 Type A Flat	1
32	8233	Locknut, 1/4-20 Nylon Insert	1
33	8717	Locknut, 1/4-28 Nylon Insert	1

13

G



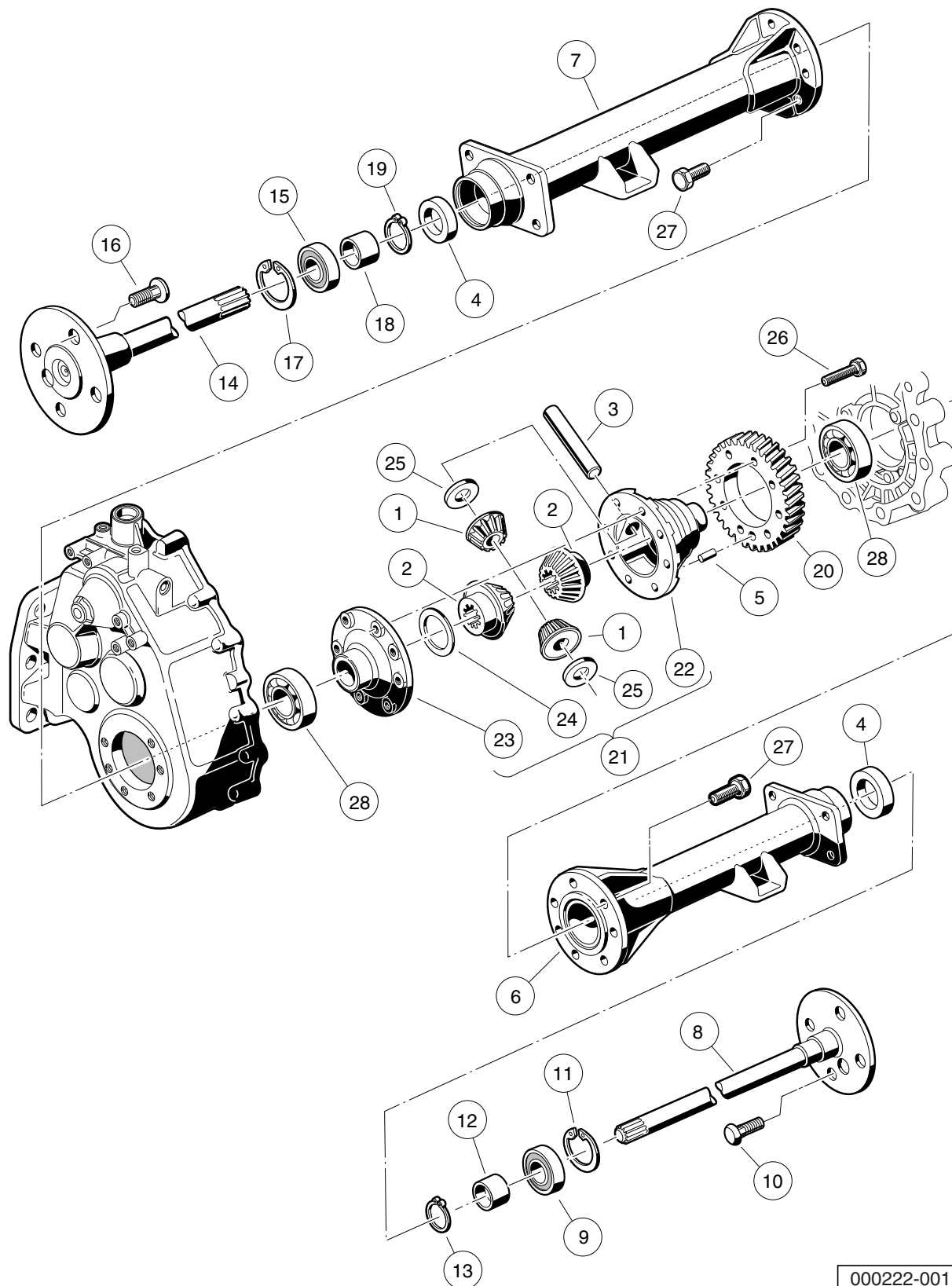
000221-001

TRANSAXLE – GASOLINE VEHICLES, TRANSMISSION AND GEAR REDUCTION

13

G

ITEM	PART NO.	DESCRIPTION	QTY
		1 2 3 4	
1	1012714	Oil Seal	1
2	1012740	Synchro Insert	3
3	1012741	Synchro Spring	2
4	1012747	Shifter Ball	1
5	1012748	Shifter Spring	1
6	1016337	Washer, Thrust	1
7	1016338	Washer, Spring	2
8	101889401	Guide	1
9	101890001	Fork - Shift	1
10	101891601	Sleeve, Governor	1
11	101891901	Gear, Cluster	1
12	101892001	Rod, Shift	1
13	101892201	Plate, Thrust	3
14	101892301	Governor Assembly	1
15	101892401	Gear, Spur	1
16	101892501	Gear, Helical (61 Tooth)	1
17	101892601	Gear, Helical (17 Tooth)	1
18	101893201	Key Sunk	1
19	101893901	Washer	1
20	101927501	Needle Bearing	1
21	101927601	Needle Bearing	3
22	101927701	Pin, .116" Dia X 0.264 Dowel	1
23	101927901	Sleeve, Synchro	1
24	101928001	Hub, Synchro Clutch	1
25	101928101	Bearing, Ball	1
26	101980801	Gear Assembly, 16-Degree Synchro (25 Tooth)	1
27	101980901	Gear Assembly, 16-Degree Rear Synchro (28 Tooth)	1
28	101981001	Ring, 16-Degree Synchronizer	2
29	102453001	Shaft, Trans, with Circlip	1
30	102453101	Circlip	1
31	7335	Bearing	2
32	AM10080	Bearing, Ball, Sealed	2
33	AM10081	Bearing, Ball, Sealed	1
<p>Note: Items listed on this page are components of the unitized transaxle.</p>			

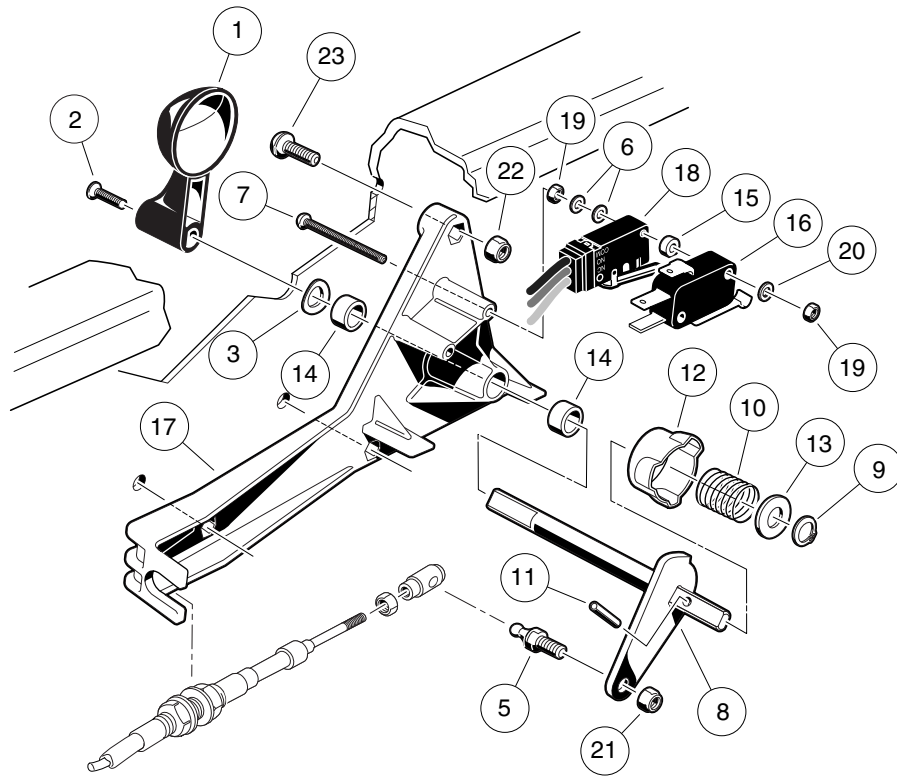


000222-001

TRANSAXLE – GASOLINE VEHICLES, DIFFERENTIAL AND AXLES

ITEM	PART NO.	DESCRIPTION	QTY
		1 2 3 4	
1	1013770	Differential Idler Gear	2
2	1013771	Gear, Differential	2
3	1013772	Pin, Differential	1
4	1013794	Axle Shaft Oil Seal	2
5	1014193	Dowel Pin	1
6	101890901	Pipe	1
7	101891001	Pipe	1
8	101891401	Axle Assembly, Passenger Side (includes items 9 through 13)	1
9	1011291	Outer Axle, Tube Bearing	1
10	1013787	Lug Stud	4
11	1013792	Circlip Type C	1
12	1014207	Bushing	1
13	1016672	Retaining Ring	1
14	101891501	Axle Assembly, Driver-Side (includes items 15 through 19)	1
15	1011291	Outer Axle, Tube Bearing	1
16	1013787	Lug Stud	4
17	1013792	Circlip Type C	1
18	1014207	Bushing	1
19	1016672	Retaining Ring	1
20	101892701	Gear, Helical	1
21	101910501	Kit, Differential Gear Case (includes items 22 through 25)	1
22	1013768	Differential Gear Case, Left-Hand	1
23	1013769	Differential Gear Case, Right-Hand	1
24	1013773	Plate, Thrust (Differential Gear)	1
25	1013774	Plate, Thrust (Idler Gear)	2
26	101928301	Screw, M8-1.25 X 35mm Hex Head	8
27	102031901	Bolt, M10 X 1.5 X 30mm	14
28	7330	Inner Axle Tube Bearing	2

13
G



000236-001

FORWARD/REVERSE SHIFTER ASSEMBLY – GASOLINE VEHICLES

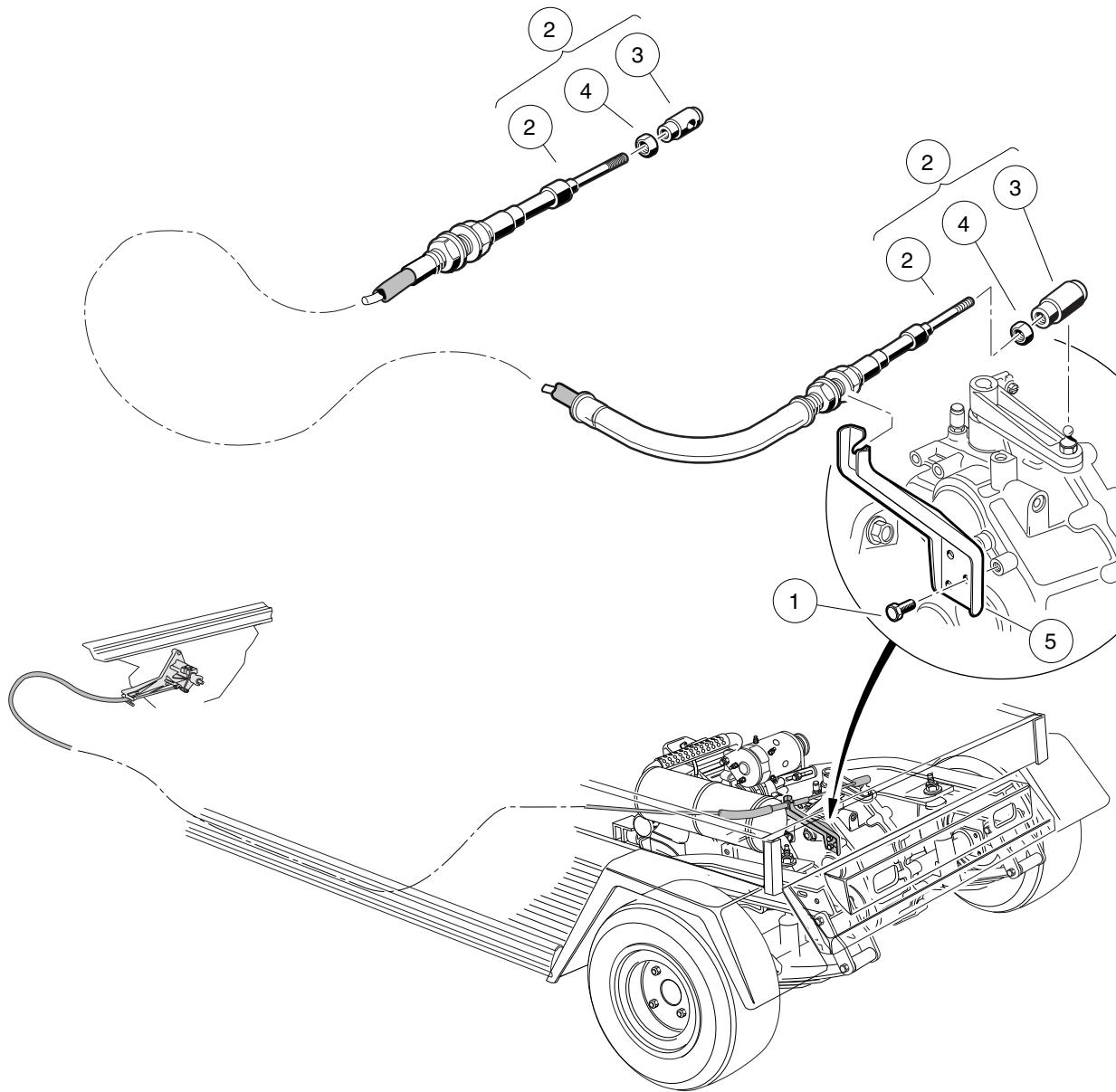
ITEM	PART NO.	DESCRIPTION	QTY
		1 2 3 4	
1	1012987	Handle, FNR	1
2	1015064	Screw, #8-32 X 0.63 Machine	1
3	1016201	Washer, Wave	1
4	1016947	Assembly, FNR Shifter (includes items 5 through 21)	1
5	1010954	Stud, 1/4-28 X 0.560 Ball	1
6	1012431	Washer, #4 Flat	4
7	1012594	Screw, #4-40 Machine	2
8	1013587	FNR Bell Crank Weldment	1
9	1013589	Ring, 0.338" Internal Retaining	1
10	1013590	Spring, FNR Cam	1
11	1013591	Pin, 1/8 X 1/2 Roll	1
12	1014089	Neutral Lockout Cam Kit (includes item 13)	1
13	1014065	Washer, 0.38" ID Delrin Flat	1
14	1014145	Bushing, Secondary Weight, Split	2
15	1014727	Washer, #4 Nylon Flat	2
16	1014807	Switch, Limit	1
17	1016342	FNR Shifter Base	1
18	101979101	Assembly, Switch, Limit	1
19	8057	Nut, #4-40 Hex Machine	4
20	8058	Lockwasher, #4 Split	2
21	8717	Locknut, 1/4-28 Nylon Insert	1
22	8233	Locknut, 1/4-20 Nylon Insert	4
23	8248	Screw, 1/4-20 X 0.75 Truss-Head Machine	4

13
G

FORWARD/REVERSE SHIFTER CABLE – TURF/CARRYALL 1 VEHICLES

ITEM	PART NO.	DESCRIPTION	QTY
		1 2 3 4	
1	1012285	Screw, 1/4 X 0.625 Hex-Head	3
2	101855801	Cable Retainer	1
3	101951501	FNR Shifter Cable (includes items 4 through 6)	1
4	1012333	Joint, #10-32 Ball	2
5	103379501	Cable, Transmission Shifter Ds	1
6	7893	Nut, #10-32 Hex	2
7	102045901	Bracket, Shifter	1
8	332	Washer, 1/4 Type A Narrow Flat	1
9	8233	Locknut, 1/4-20 Nylon Insert	1
10	8251	Screw, 1/4-20 X 1.0 Truss-Head Machine	1

13
G

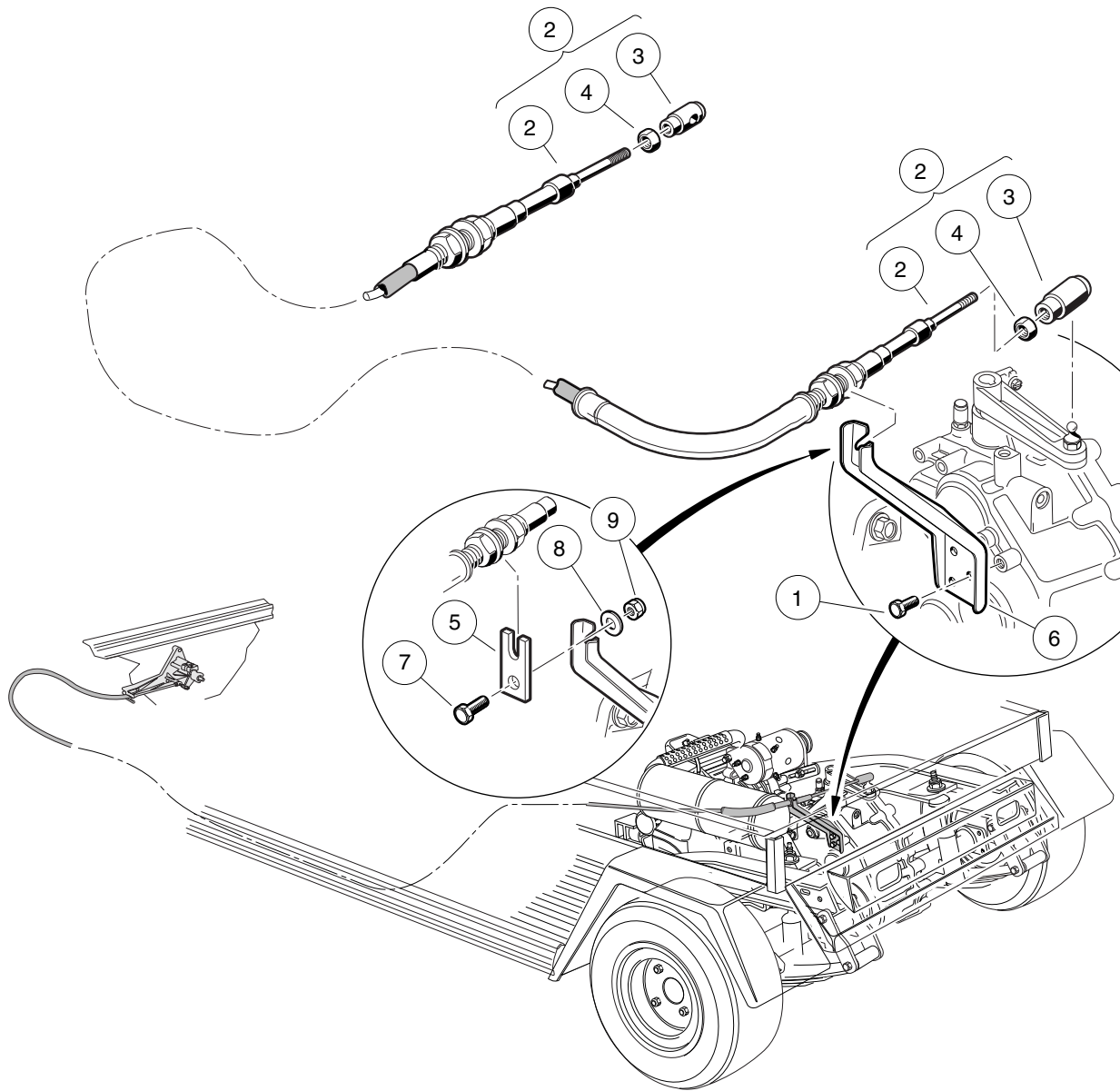


000248-002

FORWARD/REVERSE SHIFTER CABLE – TURF/ CARRYALL 2, AND CARRYALL 2 PLUS VEHICLES

ITEM	PART NO.	DESCRIPTION	QTY
		1 2 3 4	
1	1012285	Screw, 1/4 X 0.625 Hex-Head	3
2	1015409	Cable, Shifter (includes items 3 and 4)	1
3	1012333	Joint, #10-32 Ball	2
4	7893	Nut, #10-32 Hex	2
5	102045901	Bracket, Shifter	1

13
G

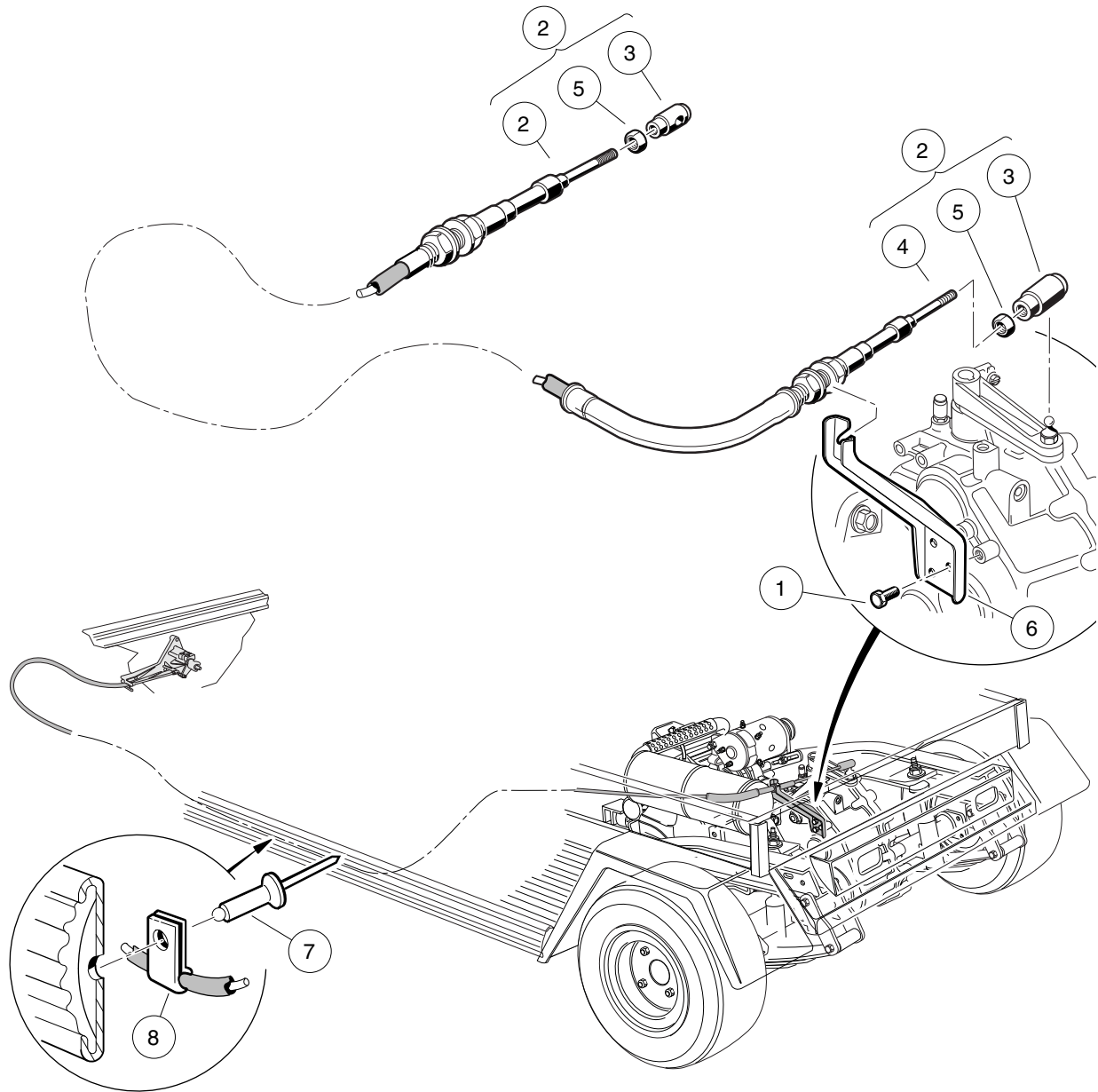


000248-003

FORWARD/REVERSE SHIFTER CABLE – TURF/ CARRYALL 252 AND 2 XRT

ITEM	PART NO.	DESCRIPTION	QTY
		1 2 3 4	
1	1012285	Screw, 1/4 X 0.625 Hex-Head	3
2	1015409	Cable, Shifter (includes items 3 and 4)	1
3	1012333	Joint, #10-32 Ball	2
4	7893	Nut, #10-32 Hex	2
5	102004801	Extension, FNR Shifter Bracket	1
6	102045901	Bracket, Shifter	1
7	320	Screw, 3/8-16 X 1.00 Hex-Head Cap	1
8	808	Washer, 3/8 Type B Flat	1
9	8754	Locknut, 3/8-16 Hex	1

13
G



000248-004

FORWARD/REVERSE SHIFTER CABLE – TURF/ CARRYALL 6

ITEM	PART NO.	DESCRIPTION	QTY
		1 2 3 4	
1	1012285	Screw, 1/4 X 0.625 Hex-Head	3
2	101672701	Cable, FNR Shifter (includes items 3 through 5)	1
3	1012333	Joint, #10-32 Ball	2
4	101539802	Cable, Transmission Shifter	1
5	7893	Nut, #10-32 Hex	2
6	102045901	Bracket, Shifter	1
7	7973	Rivet, 3/16 X .400 Blind	1
8	8455	Wire Harness Clamp	1

13
G

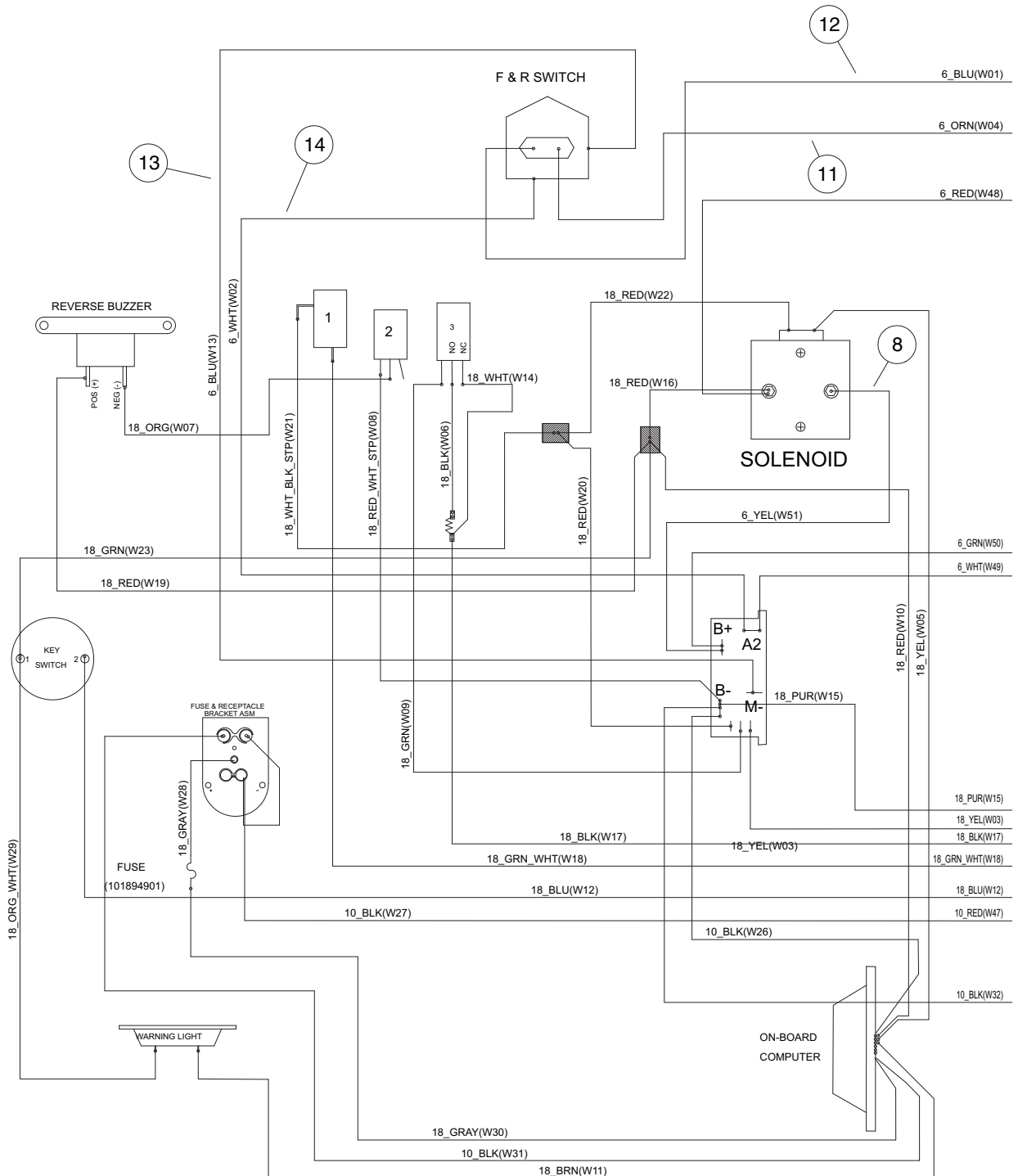
13

G

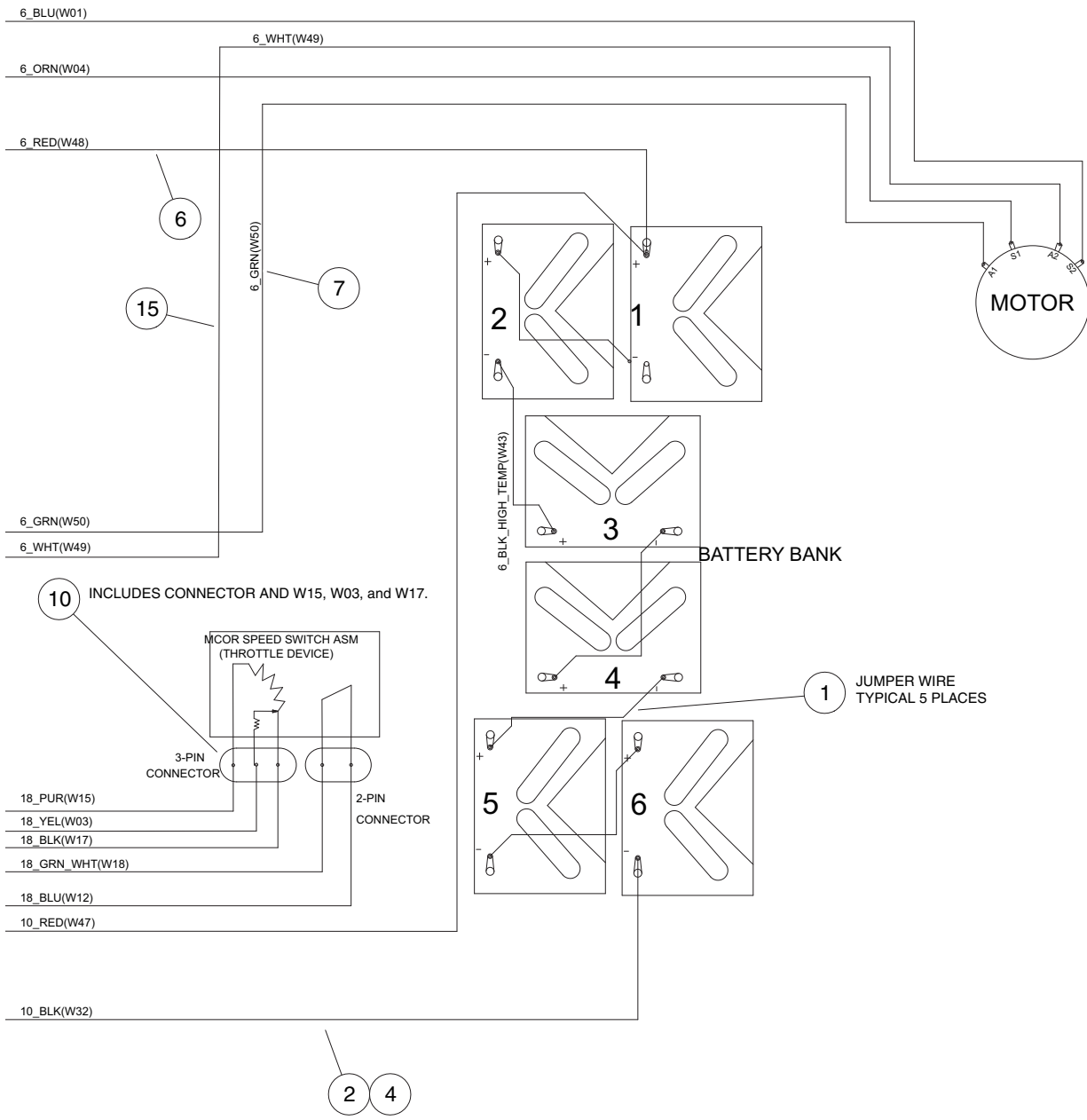
ELECTRICAL SYSTEM – ELECTRIC VEHICLES

14

E



000322-001



000322-001

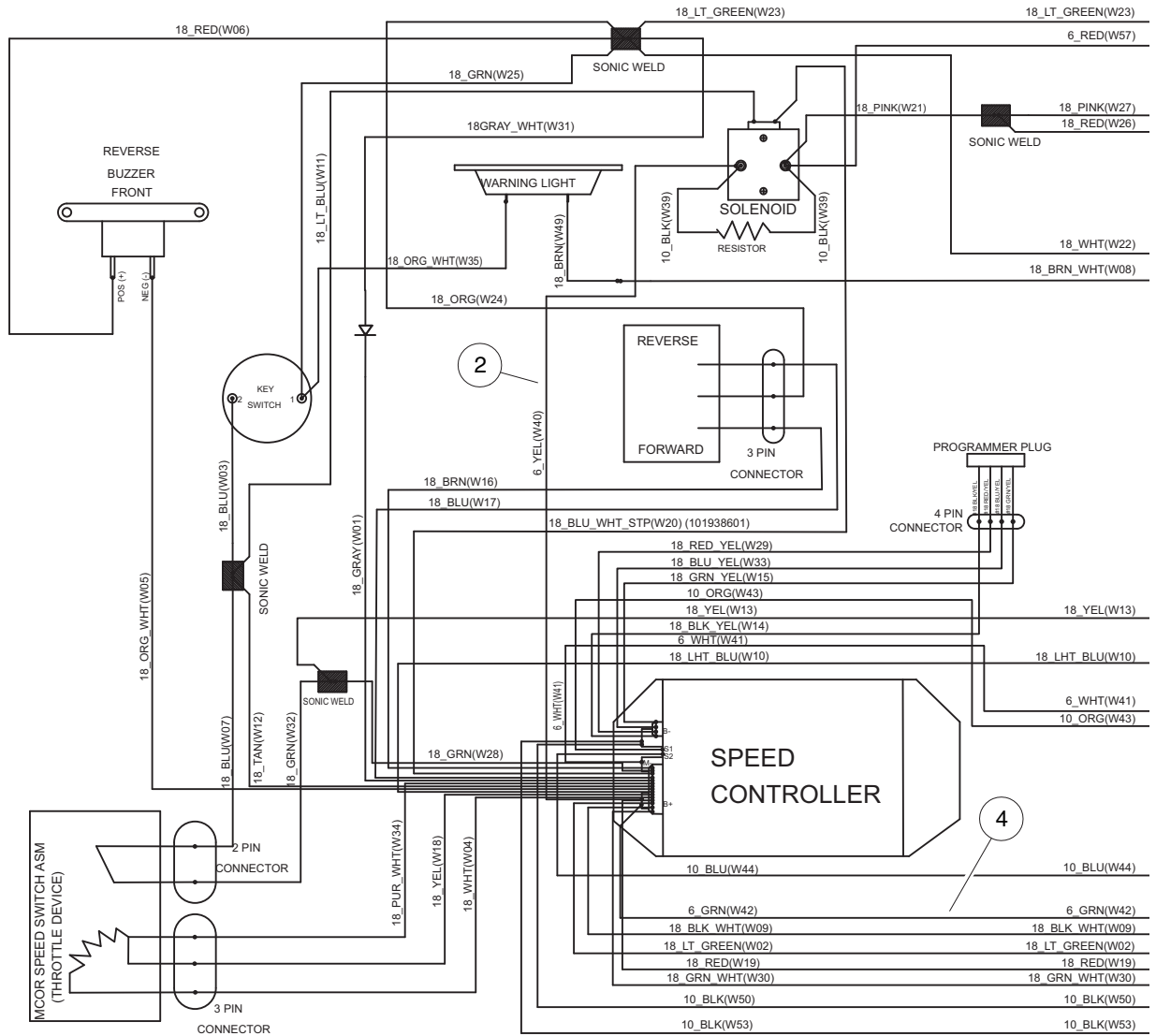
See previous two pages for illustration.

WIRING – TURF/CARRYALL 1 POWERDRIVE

ITEM	PART NO.	DESCRIPTION	QTY
		1 2 3 4	
1	101795701	Asm, Wire, #6blk 13in	5
2	101827801	Ground Wire Kit, 48-Volt (includes items 3 through 5)	1
3	101826801	Compression Lug	1
4	N/A	Wire Assembly, Black	1
5	8990	Tie Wrap, 8" Nylon	3
6	101902801	Wire Assembly, #6 Red	1
7	101902901	Wire Assembly #6 Green	1
8	101903001	Wire Assembly #6 Yellow	1
9	102162102	Wire Harness (includes items 10 through 15)	1
10	101865106	3-Way Plug and Wire Assembly	1
11	101901201	Wire Assembly #6 Orange	1
12	101901301	Wire Assembly #6 Blue	1
13	101901401	Wire Assembly #6 Blue	1
14	101901501	Wire Assembly #6 White	1
15	101911101	Wire Assy, #6 White	1

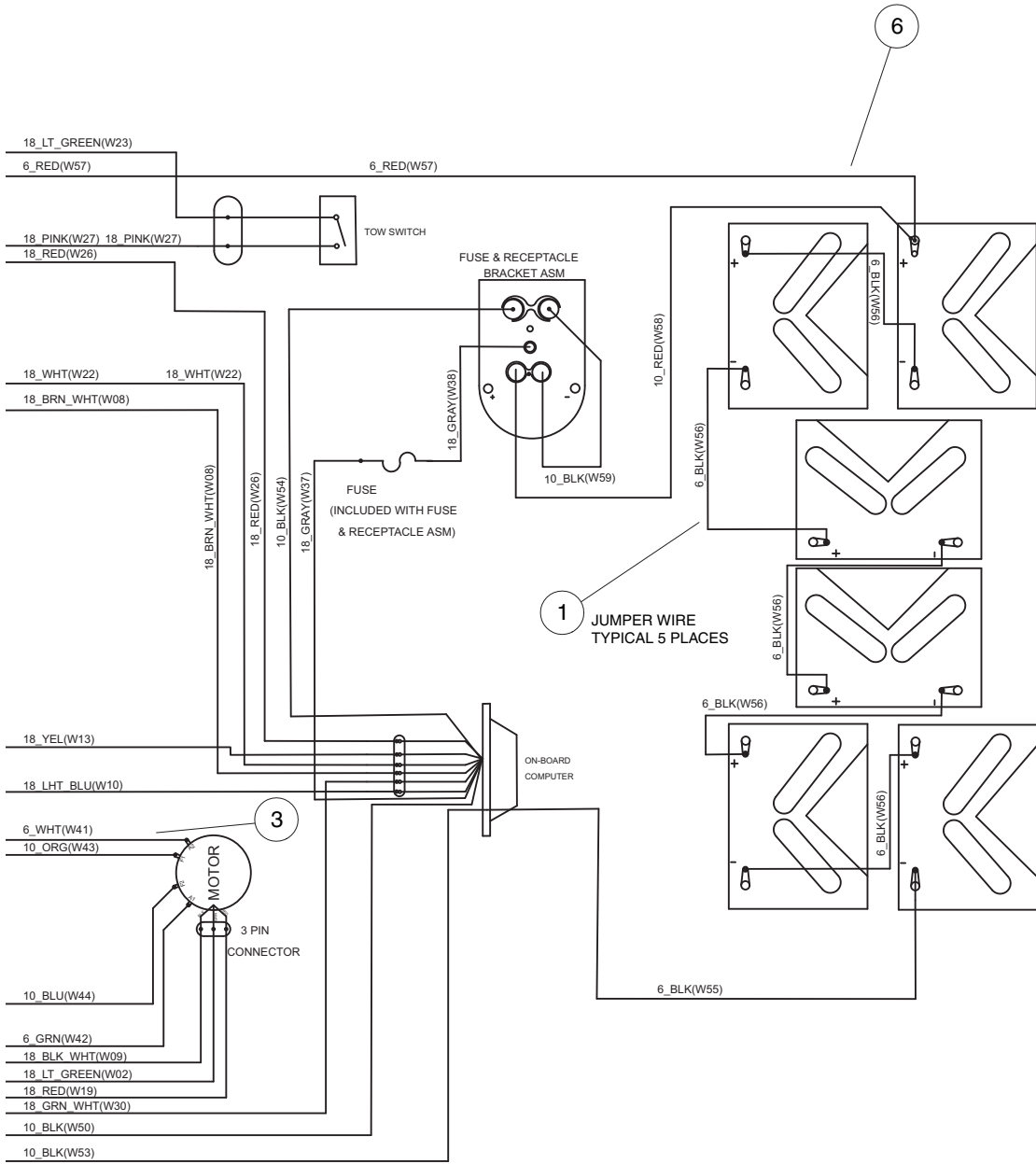
14

E



- (PIN 14) LT GREEN : TO MOTOR SPEED SENSOR OUTPUT
- (PIN 15) RED : TO HIGH SPEED OF MOTOR SPEED SENSOR
- (PIN 16) BLUE : TO FNR SWITCH "REV"
- (PIN 8) BROWN : TO FNR SWITCH "FOR"
- (PIN 7) ORG/WHT : TO LOW SIDE OF REVERSE BUZZER
- (PIN 6) GREEN : TO ACCELERATOR LIMIT SWITCH
- (PIN 13) BLK/WHT : TO LOW SIDE OF MOTOR SPEED SENSOR
- (PIN 12) BLU/WHT : TO LOW SIDE OF SOLENOID COIL
- (PIN 11) : OPEN
- (PIN 10) TAN : TO KEY SWITCH SONIC WELD
- (PIN 9) GRAY : AUX
- (PIN 1) WHITE : TO HIGH SIDE OF POTENTIOMETER
- (PIN 2) YELLOW : TO SLIDER OF POTENTIOMETER
- (PIN 3) PUR/WHT : TO LOW SIDE OF POTENTIOMETER
- (PIN 4) GRN/WHT : TO S. O. C
- (PIN 5) WHITE : TO OBC "CONTROLLER LOCK OUT"

000320-001



000320-001

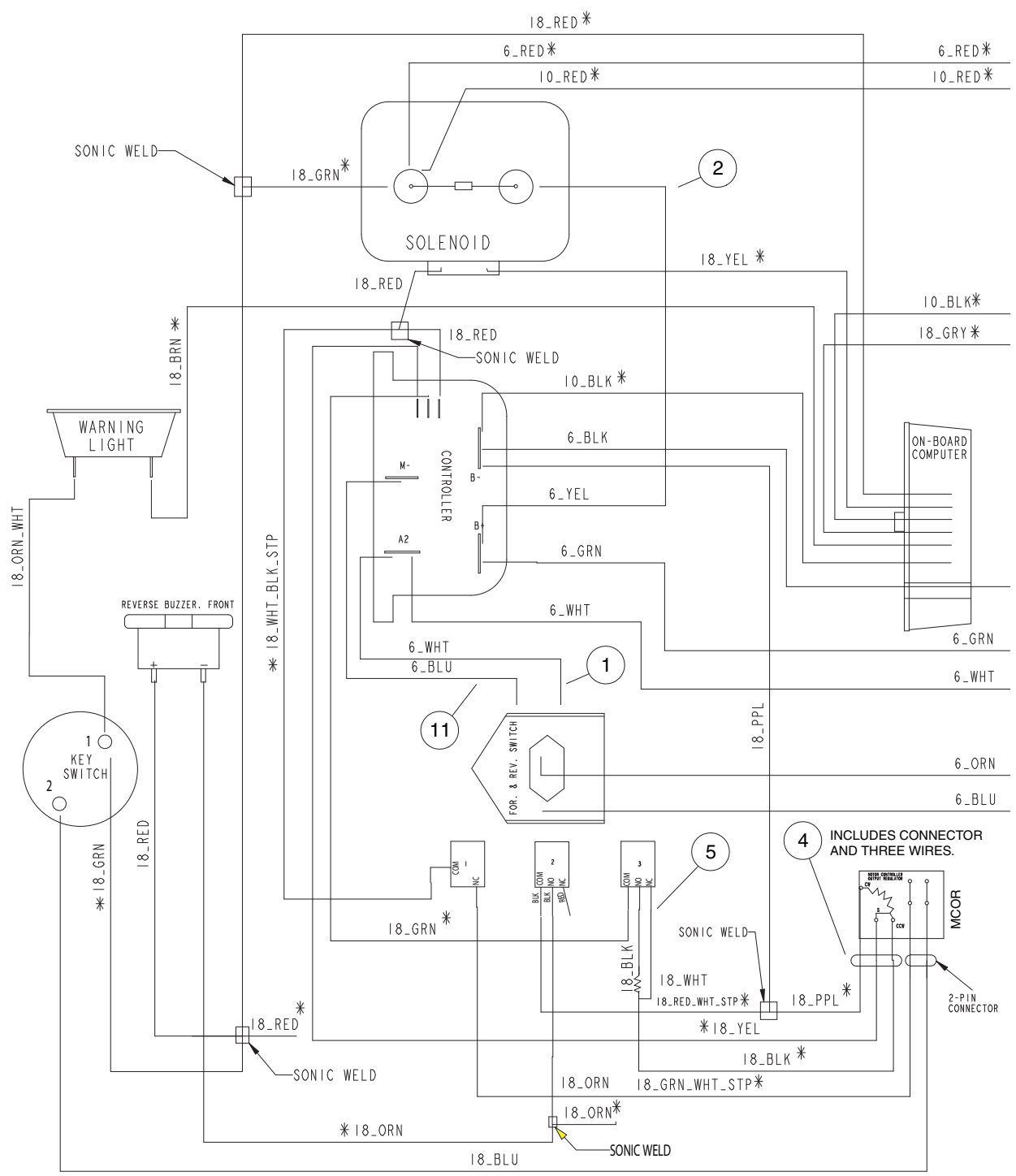
See previous two pages for illustration.

WIRING – IQ SYSTEM ELECTRIC TURF/CARRYALL 1

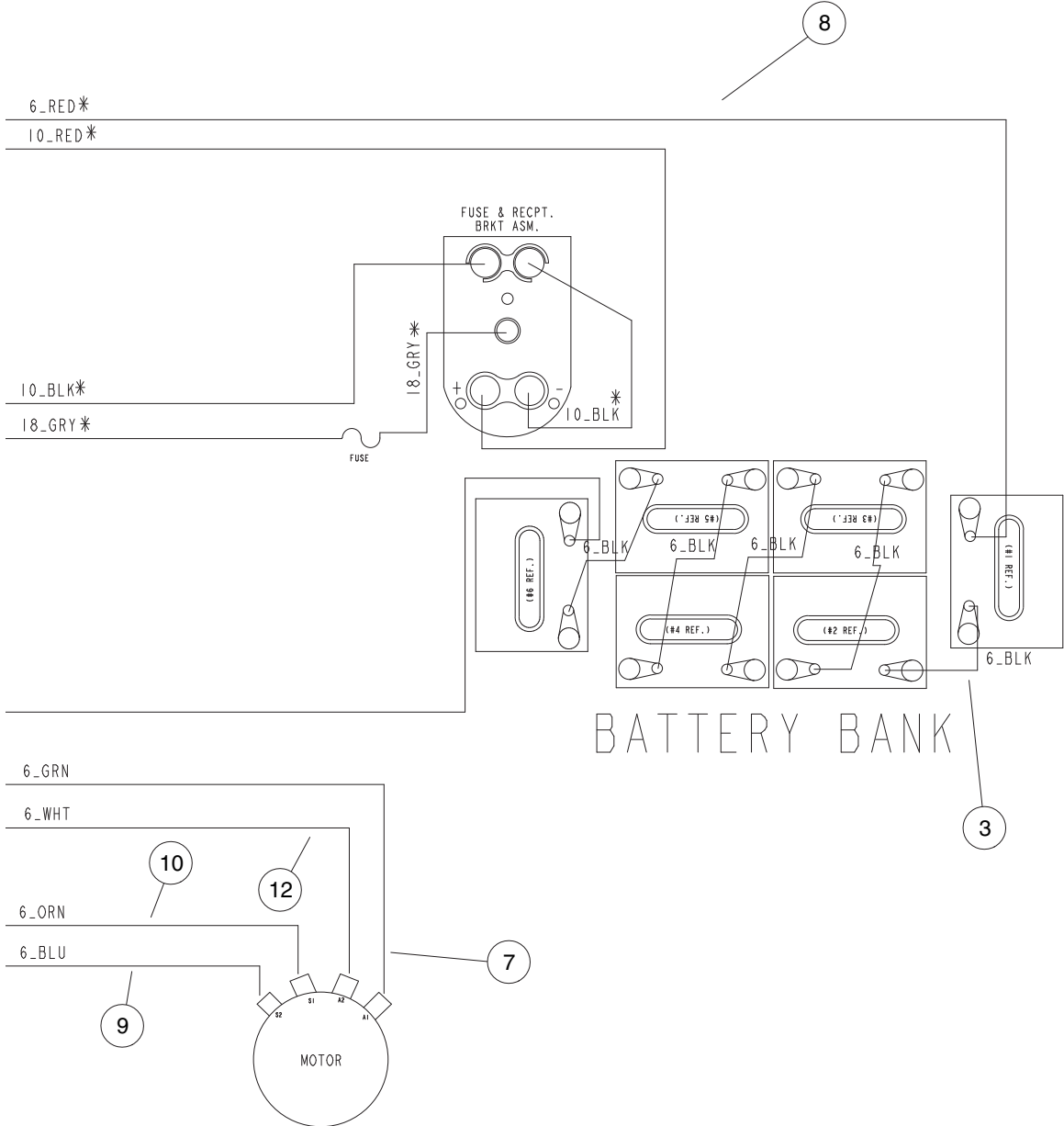
ITEM	PART NO.	DESCRIPTION	QTY
		1 2 3 4	
1	101795701	Asm, Wire, #6blk 13in	5
2	101903001	Wire Assembly #6 Yellow	1
3	101968701	Wire Assy, #6 White	1
4	101978001	Wire Assy, #6 Green	1
5	102196601	Wire Harness	1
6	102199601	Wire Assy, #6 Red	1
		Note: Item 5 contains wires in main harness that are not 6-gauge.	

14

E



000319-001



000319-001

See previous two pages for illustration.

WIRING – POWERDRIVE ELECTRIC TURF/CARRYALL 2

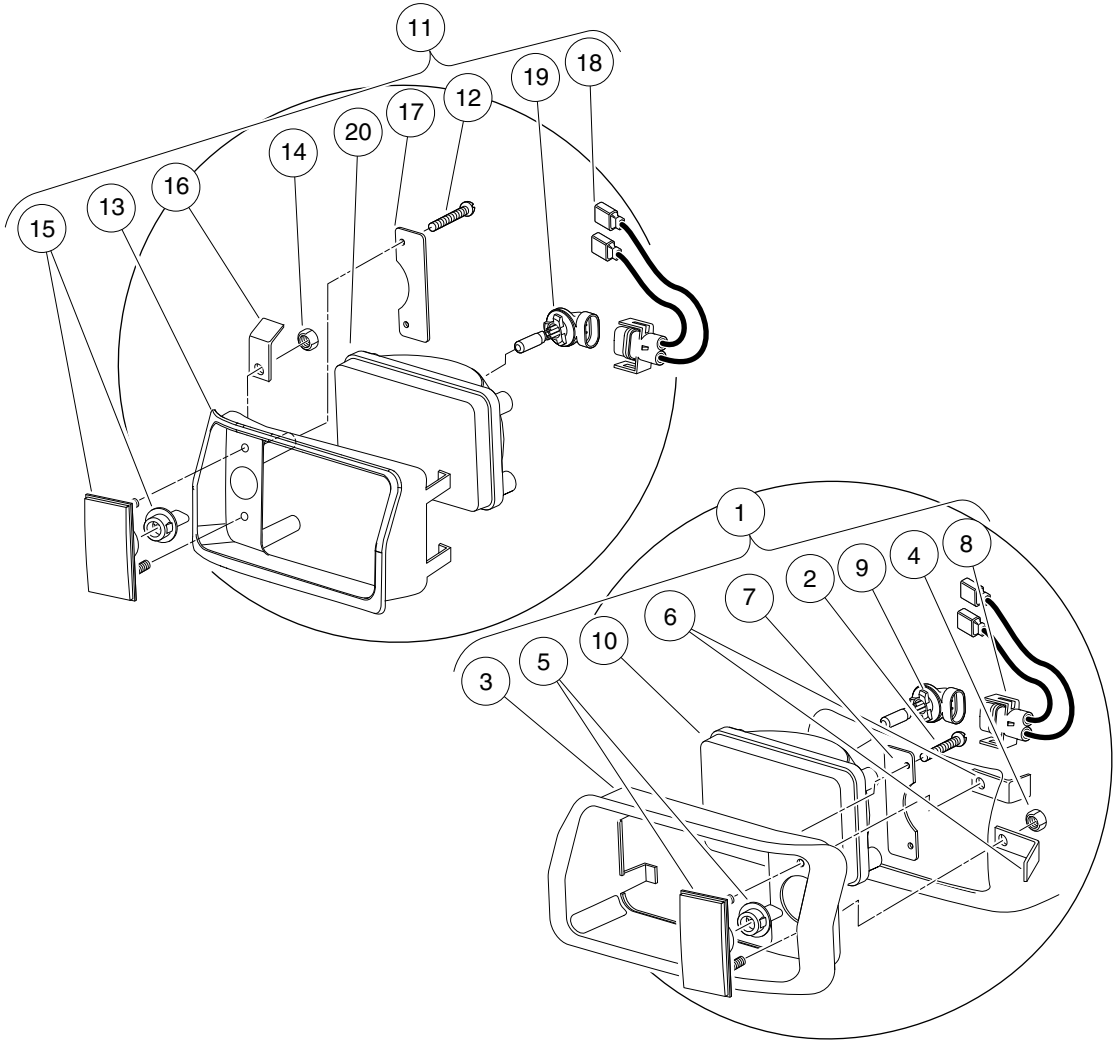
ITEM	PART NO.	DESCRIPTION	QTY
		1 2 3 4	
1	1016729	Wire Assembly #6 White	1
2	1016732	Wire Assembly #6 Yellow	1
3	101795701	Asm, Wire, #6blk 13in	5
4	101865106	3-Way Plug and Wire Assembly	1
5	101883002	Resistor Wire Assembly	1
6	N/A	Wire Harness (includes items 7 through 12)	1
7	101904401	Wire Assembly #6 Green	1
8	101904501	Wire Assy, #6 Red	1
9	101904601	Wire Assy, #6 Blue	1
10	101904701	Wire Assy, #6 Orange	1
11	101908801	Wire Assembly #6 Blue	1
12	101908901	Wire Assembly #6 White	1
13	102162101	Wire Harness Asm	1

14

E

14

E



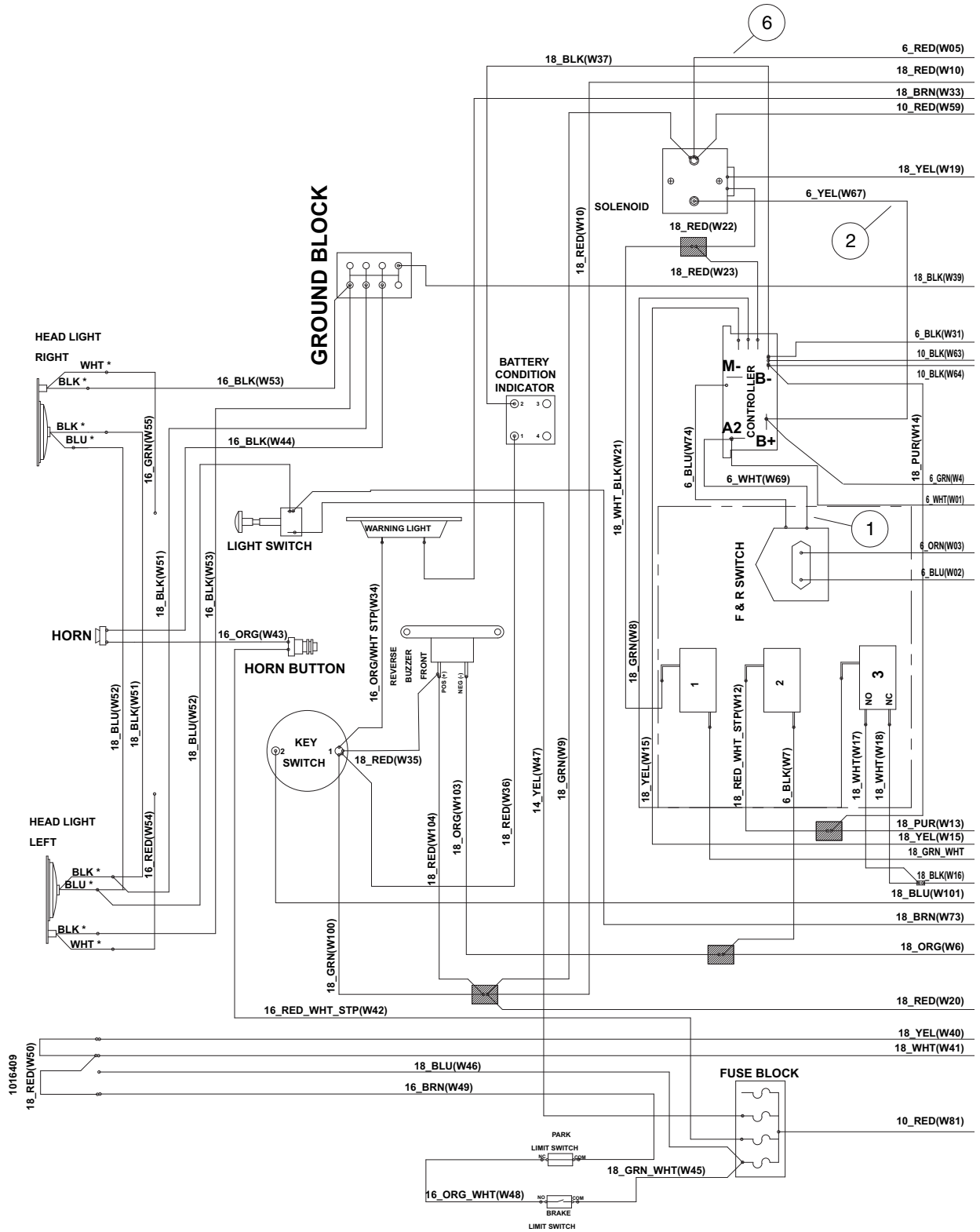
000073-001

HEADLIGHTS

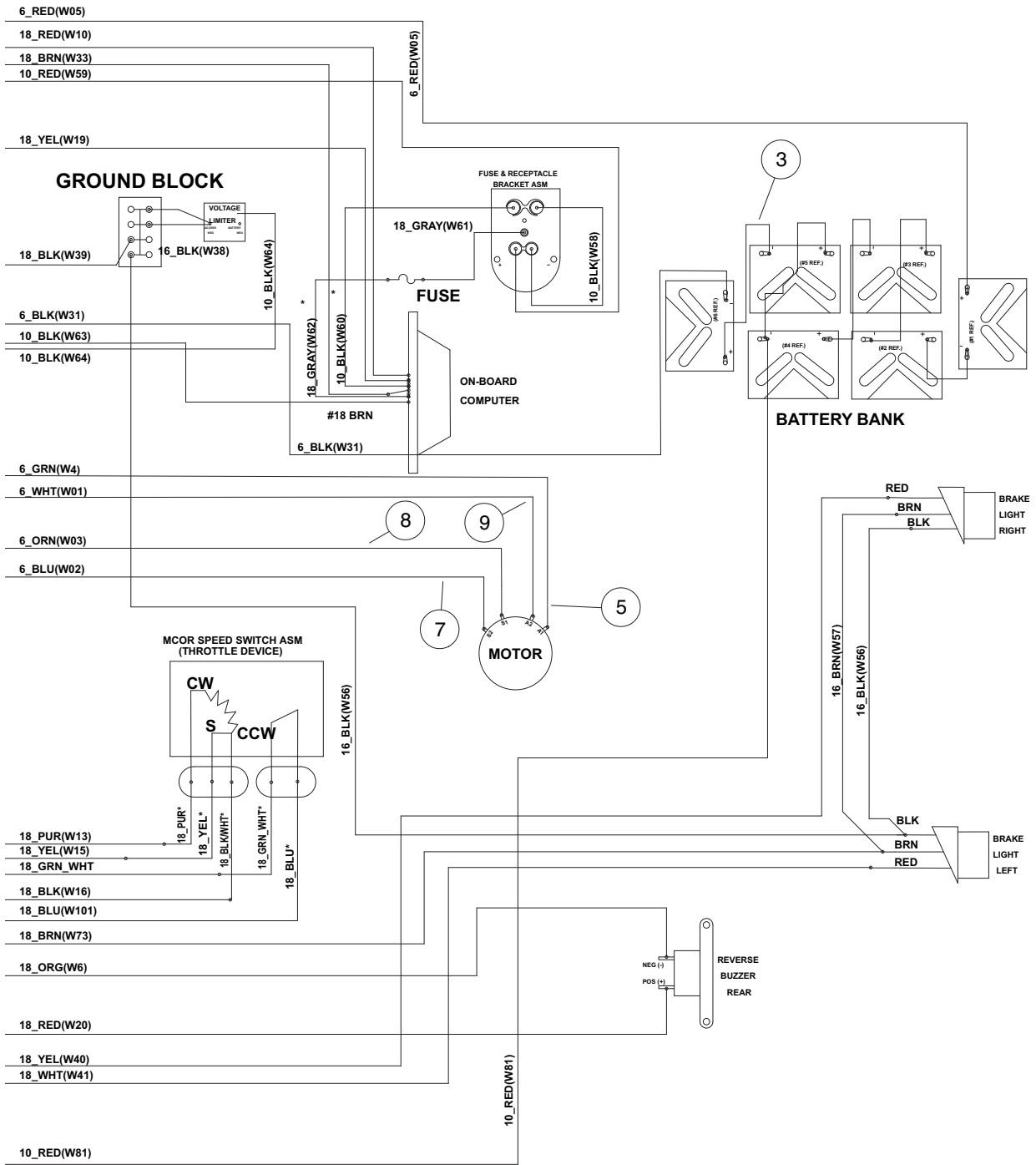
14

E

ITEM	PART NO.	DESCRIPTION	QTY
		1 2 3 4	
1	101988001	Headlight Assembly, Driver-Side Single Beam (includes items 2 through 10)	1
2	1013461	Screw, #10-16 Hex-Head Hi-Lo	2
3	1016880	Headlight Bezel, Left	1
4	1017	Nut, #10-24 Stainless-Steel Hex Machine	2
5	1017062	Turn Signal Lens Assy	1
6	1017064	Mounting Bracket	2
7	1017065	Retainer, Headlight	1
8	101987901	Connector Harness Assembly, Headlight	1
9	101988101	Bulb, Headlight	1
10	101988201	Lens, Headlight	1
11	101988002	Headlight Assy, Passenger-Side Single Beam (includes items 12 through 20)	1
12	1013461	Screw, #10-16 Hex-Head Hi-Lo	2
13	1016879	Headlight Bezel, Right	1
14	1017	Nut, #10-24 Stainless-Steel Hex Machine	2
15	1017062	Turn Signal Lens Assy	1
16	1017064	Mounting Bracket	2
17	1017065	Retainer, Headlight	1
18	101987901	Connector Harness Assembly, Headlight	1
19	101988101	Bulb, Headlight	1
20	101988201	Lens, Headlight	1



000321-001



000321-001

See previous two pages for illustration.

WIRING – POWERDRIVE ELECTRIC CARRYALL 6

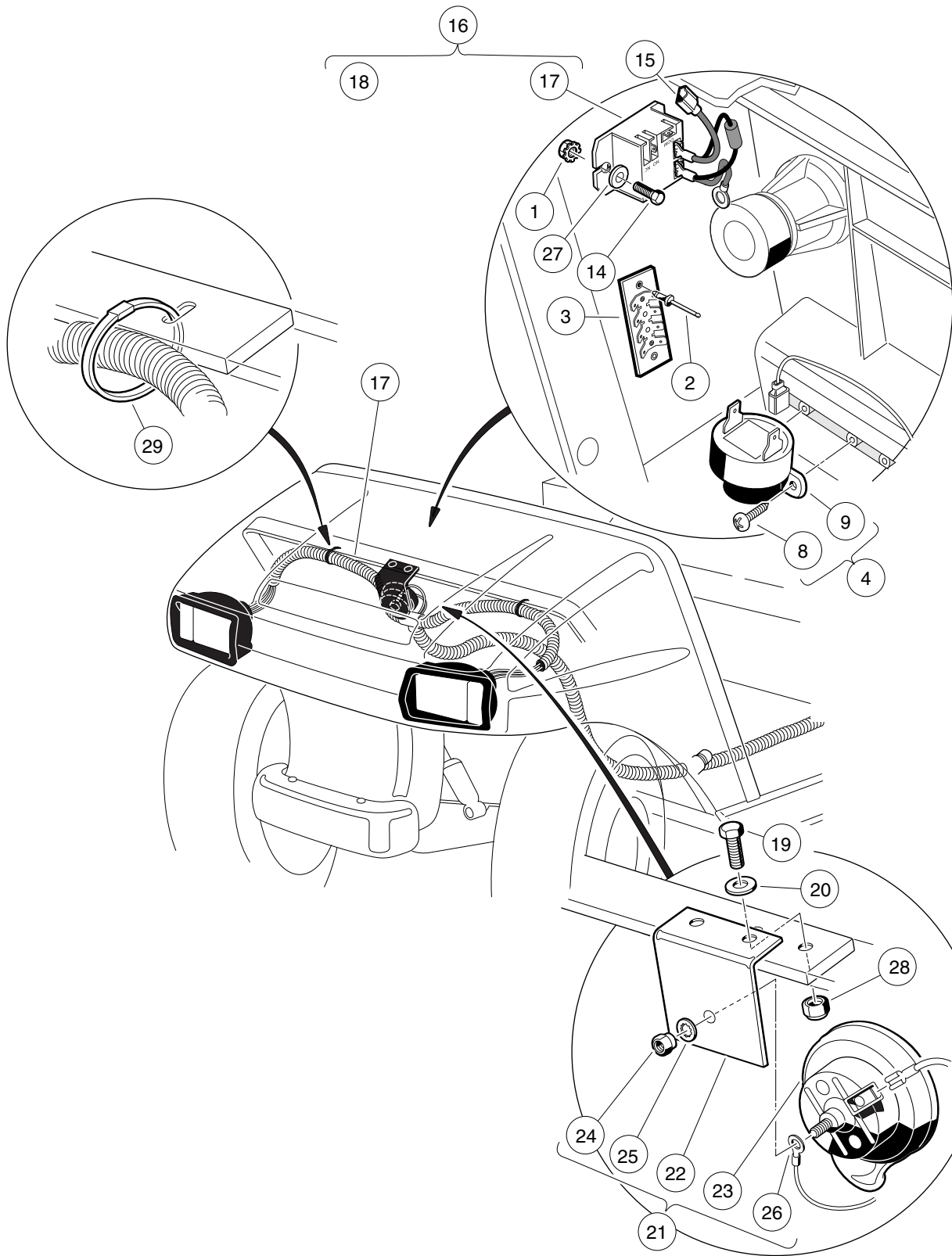
ITEM	PART NO.	DESCRIPTION	QTY
		1 2 3 4	
1	1016729	Wire Assembly #6 White	1
2	1016732	Wire Assembly #6 Yellow	1
3	101795701	Asm, Wire, #6blk 13in	5
4	N/A	Wire Harness (includes items 5 through 9)	1
5	101904402	Wire Assembly #6 Green	1
6	101904502	Wire Assy, #6 Red	1
7	101904602	Wire Assy, #6 Blue	1
8	101904702	Wire Assy, #6 Orange	1
9	101908902	Wire Assembly #6 White	1
10	101989901	Wire Harness (Lighting)	1
11	102162501	Wire Harness	1
<p style="margin-left: 40px;">Note: Item 11 contains wires in main harness that are not 6-gauge.</p>			

14

E

14

E



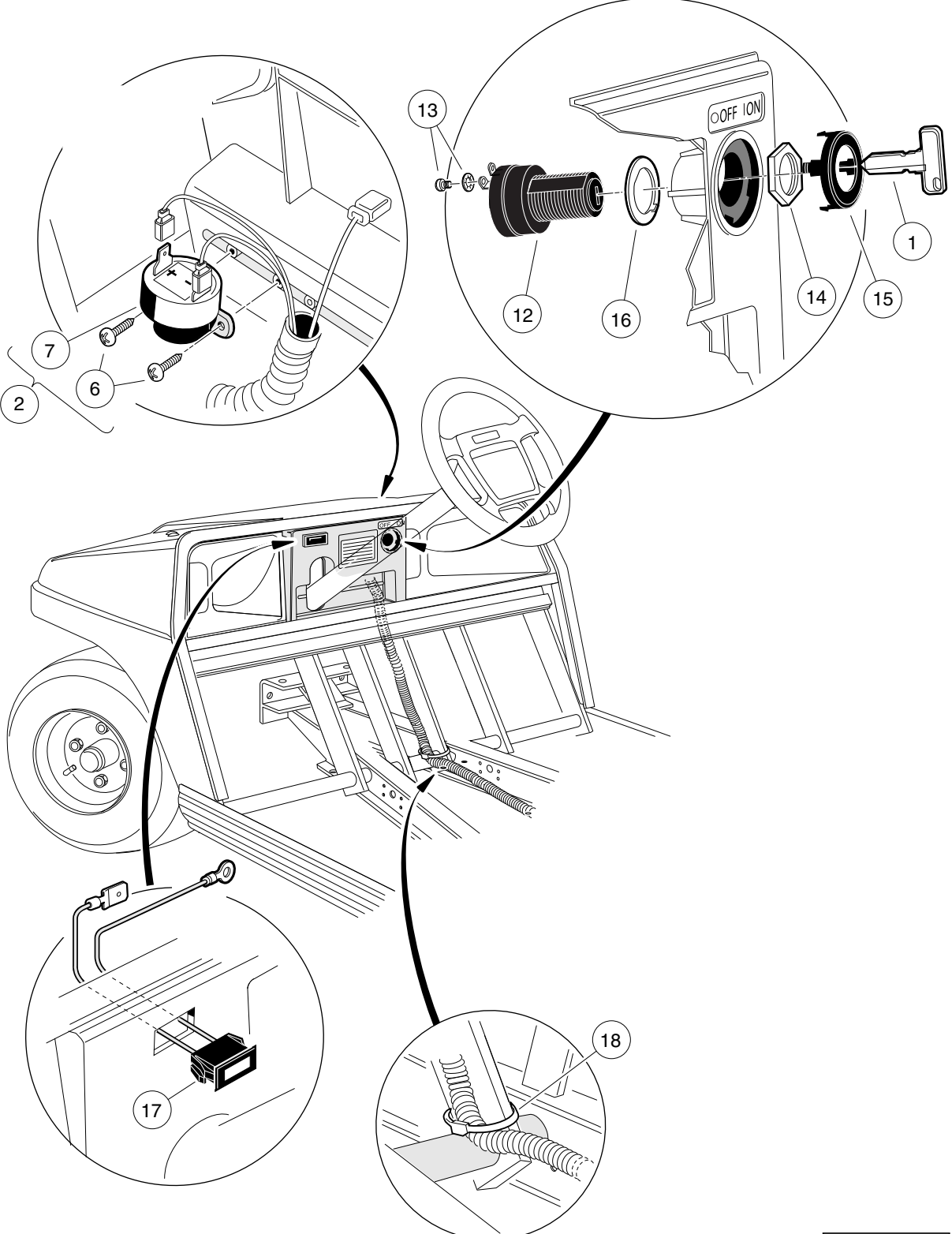
000335-002

FRONT BODY ELECTRICAL COMPONENTS – CARRYALL 6 POWERDRIVE VEHICLES

ITEM	PART NO.	DESCRIPTION	QTY
		1 2 3 4	
1	1011229	Locknut, #6-32 Whiz	2
2	1013357	Rivet, 5/32 Aluminum Pop	2
3	1016356	Terminal Block with Insulator	1
4	1016859	Kit, Reverse Buzzer (includes items 5 through 13)	1
5	1011229	Locknut, #6-32 Whiz	1
6	1012431	Washer, #4 Flat	2
7	1015720	Screw, #6-32 X 1/2 Hex Washer-Head	1
8	1016849	Screw, #4-24 X 0.33 Pan-Head Machine	2
9	1016851	Buzzer, Reverse (9-48 VDC)	1
10	1016857	Wire Assembly Black #18	1
11	8056	Screw, #4-40 X 0.75 Round-Head Machine	2
12	8057	Nut, #4-40 Hex Machine	2
13	8058	Lockwasher, #4 Split	2
14	1017853	Screw, #6-32 X 0.75 Hex-Head Machine	2
15	101914401	Assembly, Voltage Suppressor	1
16	103414901	Kit, Relay, 48v 30a W/instr (includes items 17 and 18)	1
17	103397901	Relay, Spst No, 48v 30a, Pmt	1
18	N/A	Kit, Relay, 48v 30a Instrns	1
19	304	Screw, 1/4-20 X 1.0 Hex-Head Cap	2
20	332	Washer, 1/4 Type A Narrow Flat	2
21	4029	Horn (includes items 22 through 26)	1
22	1011825	Horn Bracket	1
23	1014530	Horn, 12-VDC	1
24	101955101	Nut, M6 Hex	1
25	7820	Washer, 5/16 Internal-Tooth	1
26	N/A	5/16 Ring Term.	1
27	7591	Washer, #6 Flat	2
28	8233	Locknut, 1/4-20 Nylon Insert	2
29	8639	Tie Wrap, 11" Nylon	4
		Note: Items 5 through 7, and 10 through 13 are included in the reverse buzzer kit, but are not used in this application.	

14

E



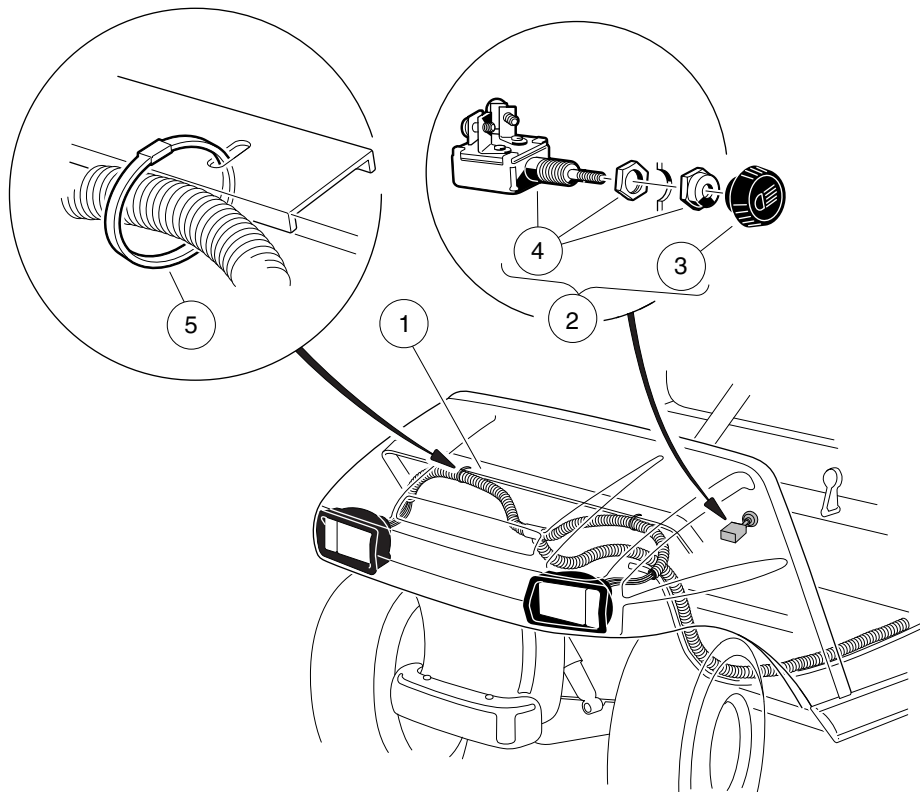
000340-001

INSTRUMENT PANEL COMPONENTS – TURF/ CARRYALL 1 AND 2

ITEM	PART NO.	DESCRIPTION	QTY
		1 2 3 4	
1	1012505	Keys (set of 2)	1
2	1016859	Kit, Reverse Buzzer (includes items 3 through 11)	1
3	1011229	Locknut, #6-32 Whiz	1
4	1012431	Washer, #4 Flat	2
5	1015720	Screw, #6-32 X 1/2 Hex Washer-Head	1
6	1016849	Screw, #4-24 X 0.33 Pan-Head Machine	2
7	1016851	Buzzer, Reverse (9-48 VDC)	1
8	1016857	Wire Assembly Black #18	1
9	8056	Screw, #4-40 X 0.75 Round-Head Machine	2
10	8057	Nut, #4-40 Hex Machine	2
11	8058	Lockwasher, #4 Split	2
12	101826201	Key Switch, On/Off	1
13	101830601	Screw and Washer Assembly	2
14	101830701	Nut, Key Switch	1
15	101834502	Cap, Black Key Switch	1
16	101851101	Washer, Key Switch	1
17	101935501	Light, Battery (Amber)	1
18	8990	Tie Wrap, 8" Nylon	2
Note: Item 2, Reverse Buzzer Kit, contains parts not used in this application.			

14

E



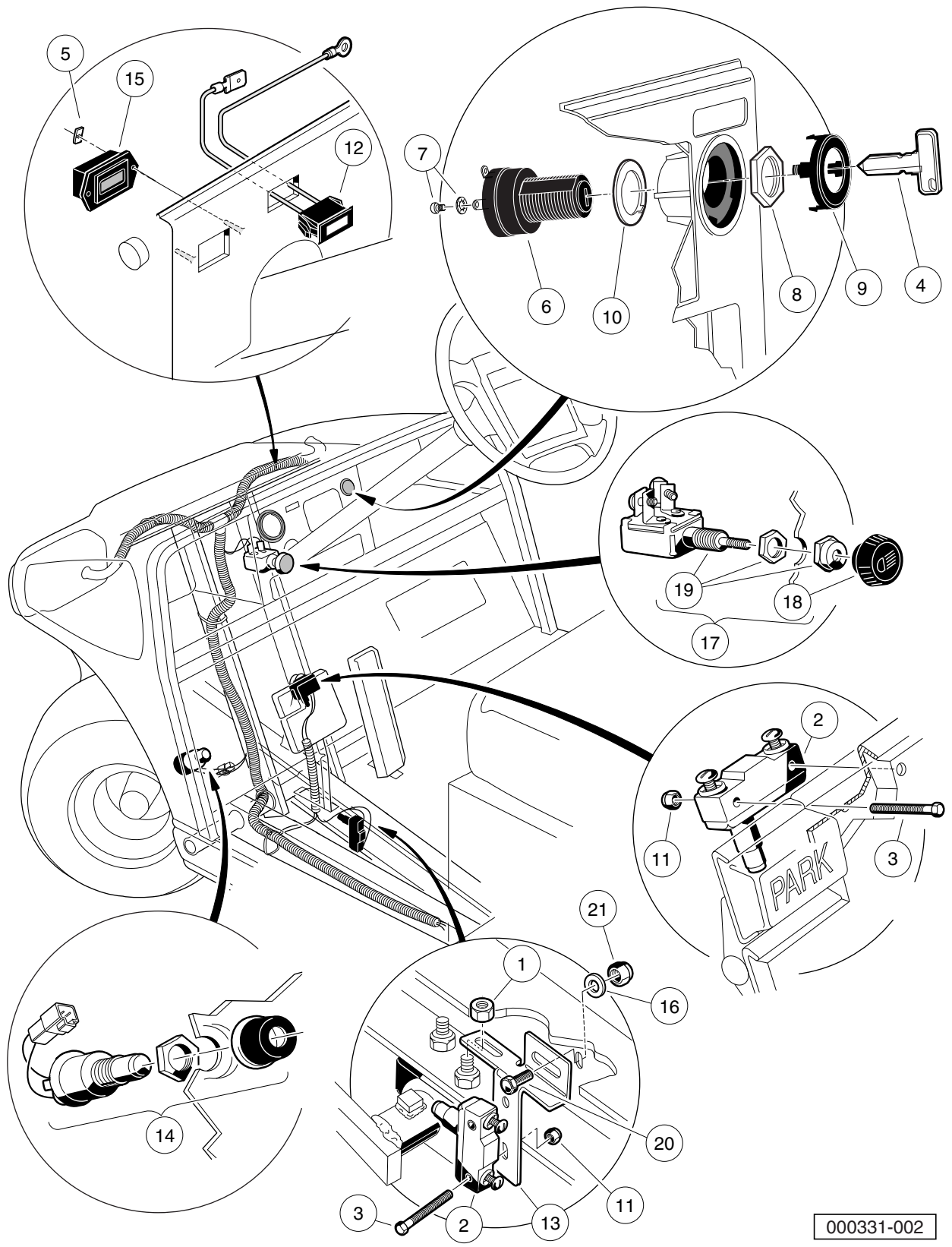
000334-002

HEADLIGHT COMPONENTS – TURF 2

ITEM	PART NO.	DESCRIPTION	QTY
		1 2 3 4	
1	1016858	Wire Harness, Headlight	1
2	4034	Light Switch (includes items 3 and 4)	1
3	1013857	Knob, Light Switch	1
4	1013858	Switch, Light Without Knob	1
5	8990	Tie Wrap, 8" Nylon	4

14

E



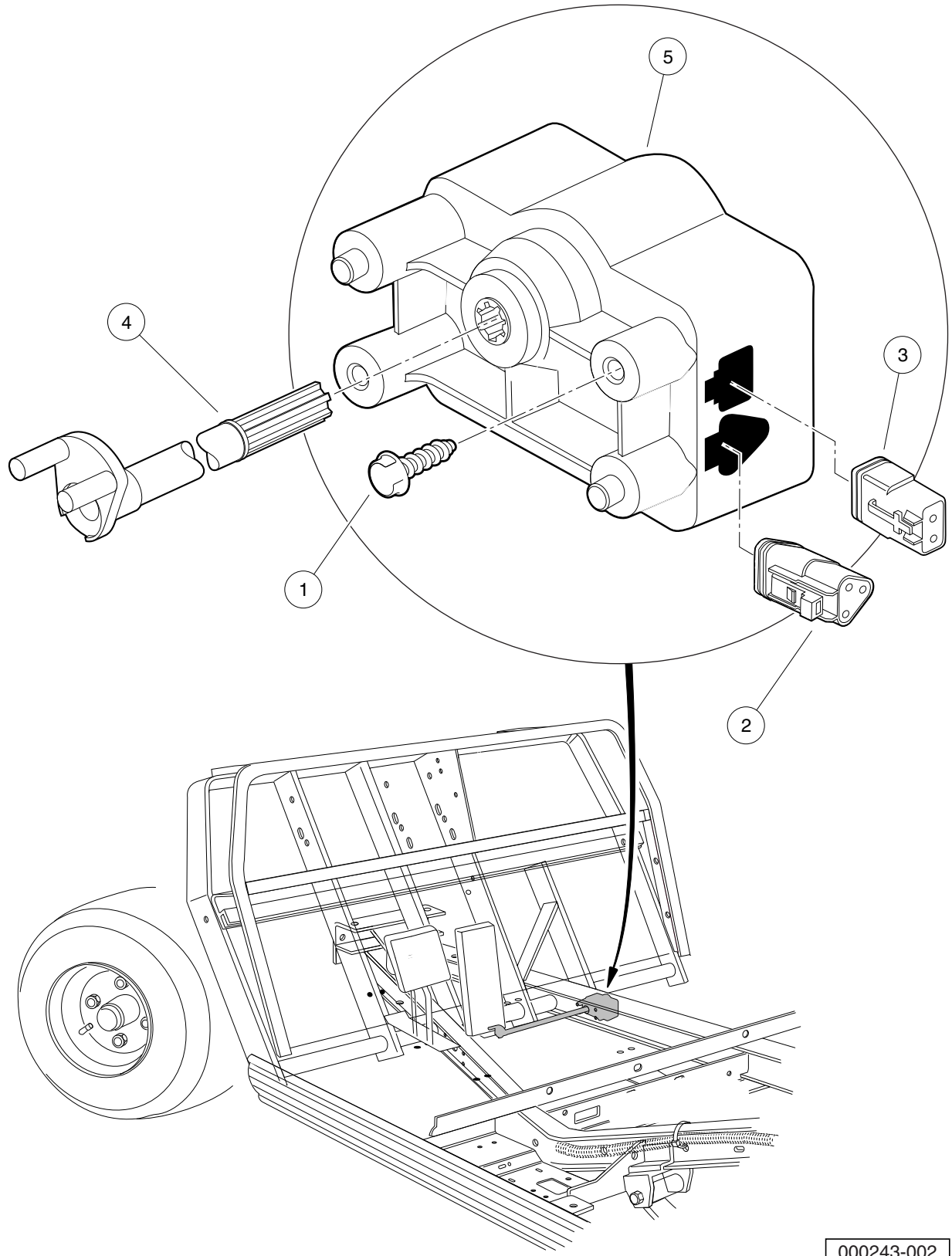
000331-002

INSTRUMENT PANEL COMPONENTS – CARRYALL 6 POWERDRIVE VEHICLE

ITEM	PART NO.	DESCRIPTION	QTY
		1 2 3 4	
1	1011280	Locknut, 5/16-18	1
2	1011439	Switch, Limit	2
3	1011557	Screw, #6-32 X 1.00 Hex-Head Machine	4
4	1012505	Keys (set of 2)	1
5	101814701	Retainer, Push-On	2
6	101826201	Key Switch, On/Off	1
7	101830601	Screw and Washer Assembly	2
8	101830701	Nut, Key Switch	1
9	101834502	Cap, Black Key Switch	1
10	101851101	Washer, Key Switch	1
11	101932201	Locknut, #6-32 Nylon	4
12	101935501	Light, Battery (Amber)	1
13	101957101	Bracket, Brake Light Switch	1
14	101969701	Horn Button and Wire Assembly	1
15	103200701	Battery Condition Indicator - 48V	1
16	1241	Washer, 5/16 Type A Flat	1
17	4034	Light Switch (includes items 18 and 19)	1
18	1013857	Knob, Light Switch	1
19	1013858	Switch, Light Without Knob	1
20	7173	Screw, 5/16-18 X 0.75 Hex-Head Cap	1
21	7473	Locknut, 5/16-18 Nylon Insert	1

14

E



000243-002

MOTOR CONTROLLER OUTPUT REGULATOR (MCOR)

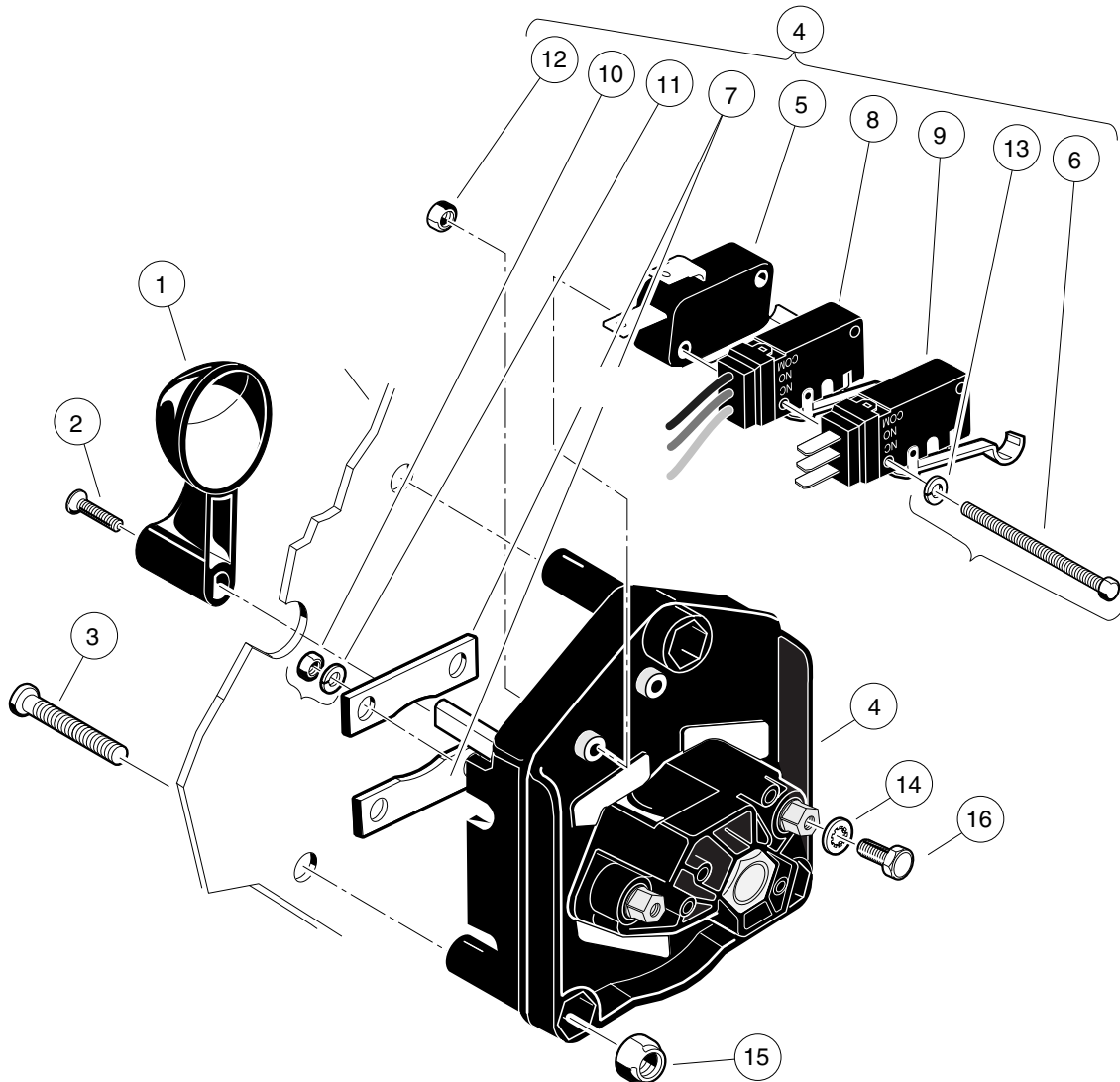
ITEM	PART NO.	DESCRIPTION	QTY
		1 2 3 4	
1	1015752	Screw, #12-16 X 0.625 Hi-Lo	2
2	101920101	Kit, 3-Pin Wedge Lock	1
3	101936801	Kit, 2-Pin Wedge Lock	1
4	102101001	Bar, Drive, Cast	1
5	102101101	MCOR	1

14

E

14

E



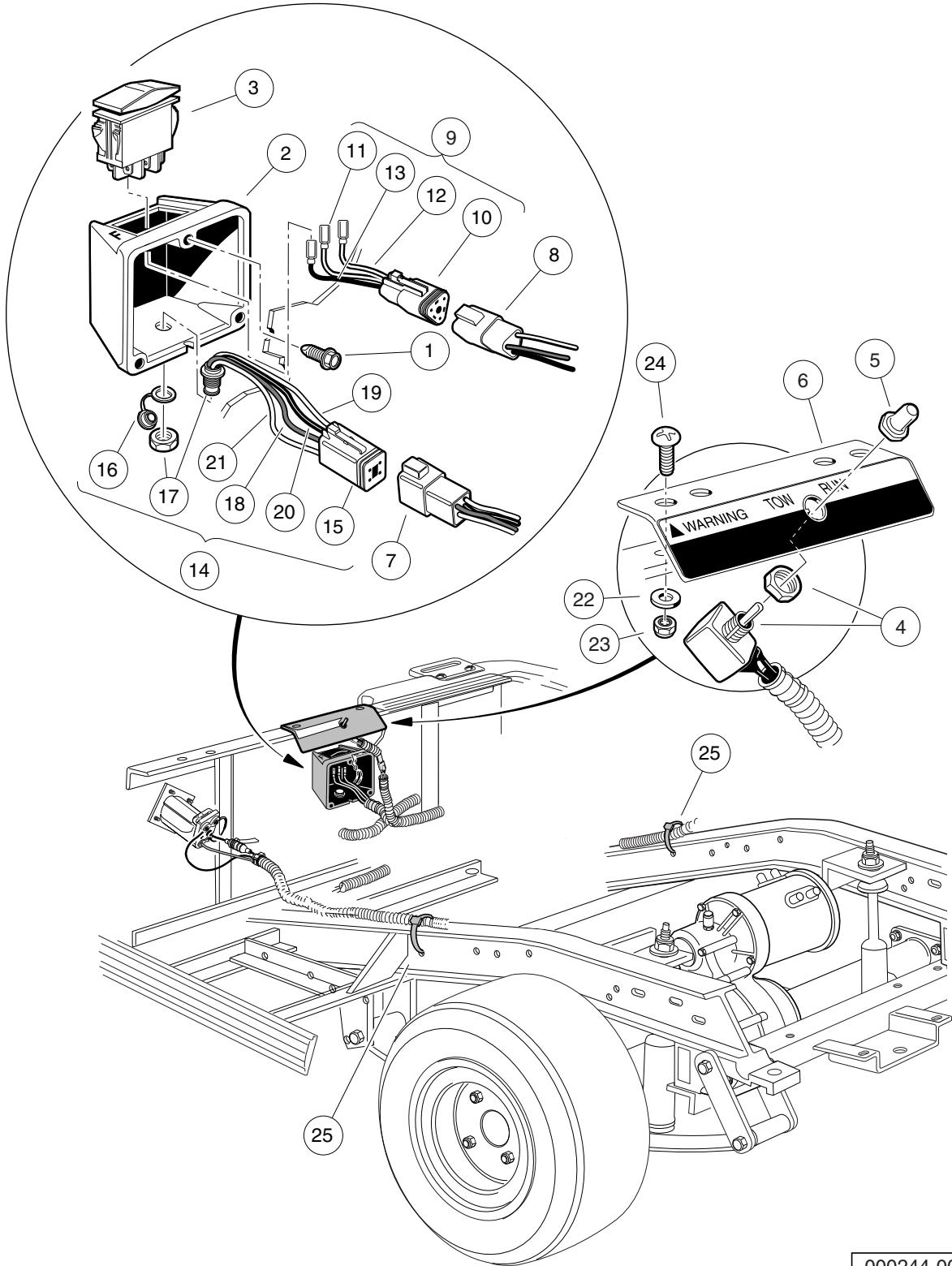
000339-001

FORWARD/REVERSE SWITCH – POWERDRIVE

ITEM	PART NO.	DESCRIPTION	QTY
		1 2 3 4	
1	1012987	Handle, FNR	1
2	1015064	Screw, #8-32 X 0.63 Machine	1
3	1016845	Screw, 1/4-20 X 2.125 Truss-Head	3
4	101753005	FNR Switch Assembly (includes items 5 through 13)	1
5	1014808	Switch, Limit	1
6	1014871	Screw, #4-40 X 2.0 Hx Wshr Hd	2
7	1017799	Buss Bar	2
8	101979101	Assembly, Switch, Limit	1
9	102250201	Limit Switch, Sealed Assembly	1
10	1028	Nut, 1/4-20 Hex	4
11	451	Lockwasher, 1/4 Split	4
12	8057	Nut, #4-40 Hex Machine	2
13	8058	Lockwasher, #4 Split	2
14	8049	Lockwasher, #10 Internal-Tooth	2
15	8233	Locknut, 1/4-20 Nylon Insert	3
16	8450	Screw, #10-24 X 0.50 Hex-Head	2

14

E



000244-001

FORWARD/REVERSE SWITCH AND TOW/RUN SWITCH – IQ SYSTEM TURF/CARRYALL 1

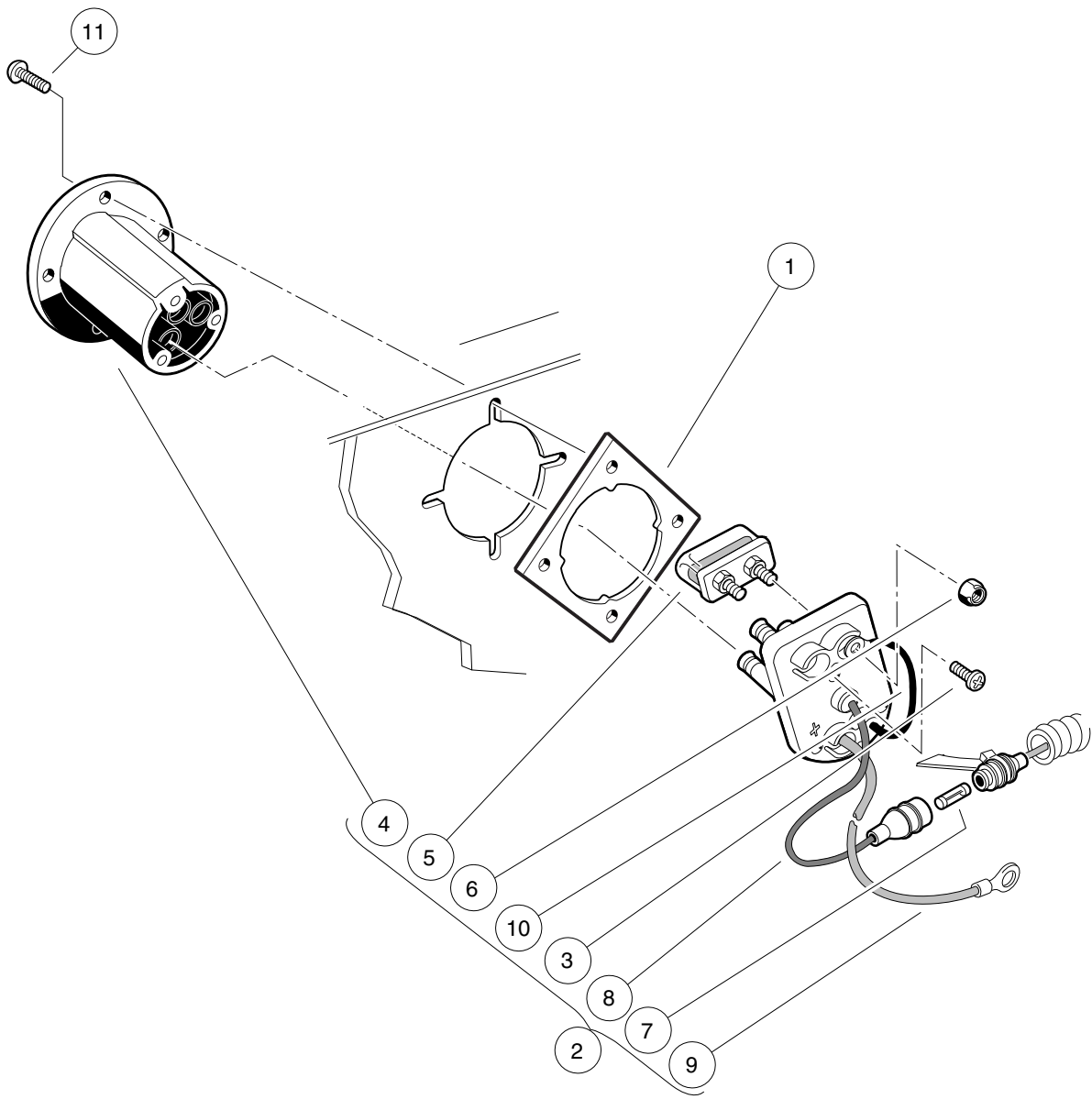
14

E

ITEM	PART NO.	DESCRIPTION	QTY
		1 2 3 4	
1	1012285	Screw, 1/4 X 0.625 Hex-Head	3
2	101855002	Case, FNR Switch	1
3	101856002	Switch, Rocker, Single-Pole	1
4	101908101	Switch Assembly, Tow/Run	1
5	101908401	Boot, Switch	1
6	101922501	Bracket, Tow/Run Switch Mounting	1
7	101932401	Kit, 4-Pin Receptacle and Wedge Lock	1
8	101942301	Kit, 3-Pin Wedge Lock	1
9	102266601	Wire Assembly, FNR Switch (includes items 10 through 13)	1
10	101920101	Kit, 3-Pin Wedge Lock	1
11	N/A	Wire Assembly, #18 Blue	1
12	N/A	Wire Assembly, #18 Orange	1
13	N/A	Wire Assembly, #18 Brown	1
14	102266701	Wire Assembly, IQDM Port (includes items 15 through 21)	1
15	101932501	Kit, 4-Pin Wedge Lock	1
16	102196901	Dust Cap	1
17	N/A	Connector Mount, Four-Pin	1
18	N/A	Wire Assembly, #18 Red/Yellow	1
19	N/A	Wire Assembly, #18 Black/Yellow	1
20	N/A	Wire Assembly, #18 Blue/Yellow	1
21	N/A	Wire Assembly, #18 Green/Yellow	1
22	332	Washer, 1/4 Type A Narrow Flat	2
23	8233	Locknut, 1/4-20 Nylon Insert	2
24	8248	Screw, 1/4-20 X 0.75 Truss-Head Machine	2
25	8990	Tie Wrap, 8" Nylon	1

14

E



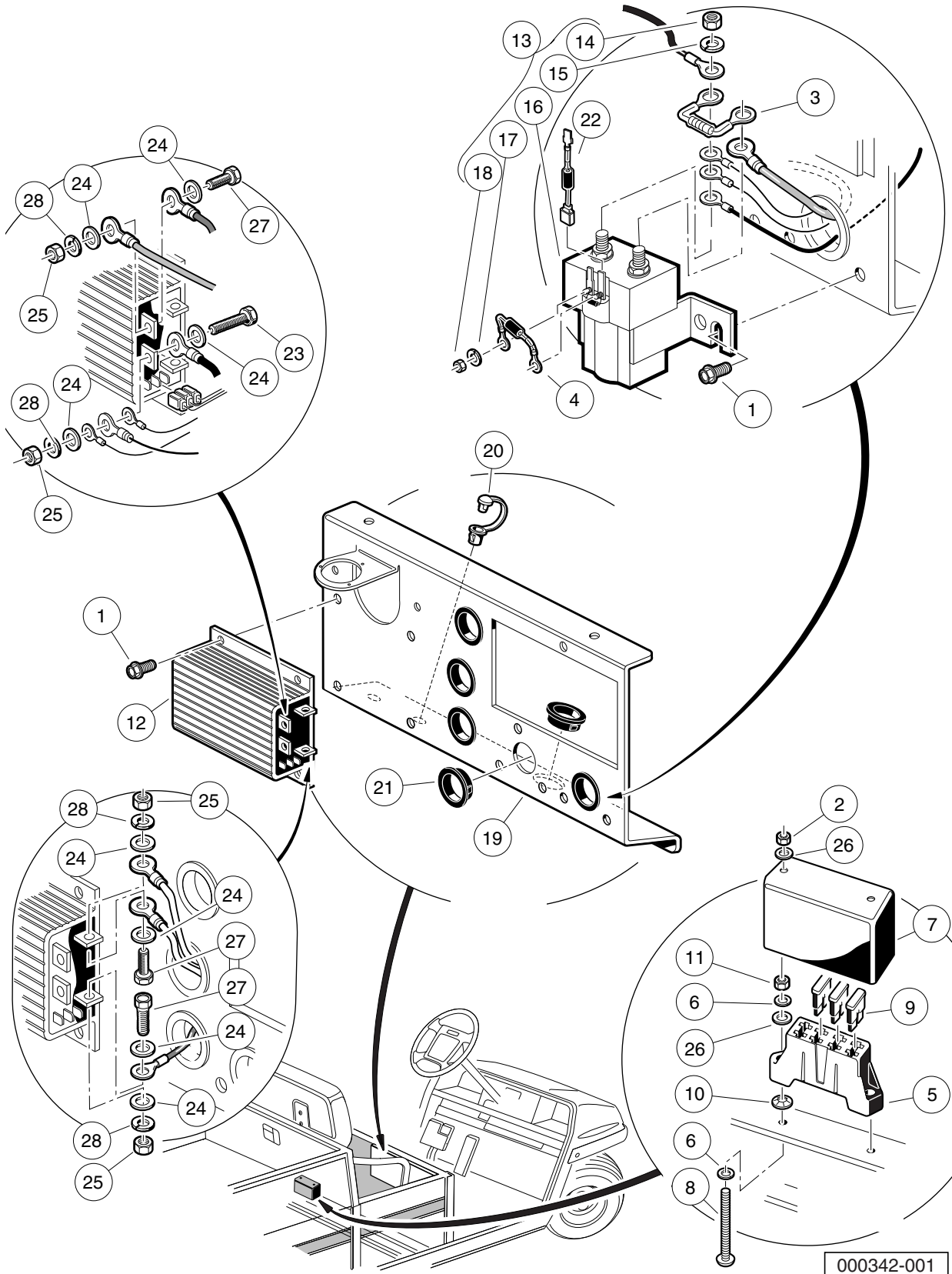
000369-001

BATTERY CHARGER RECEPTACLE

ITEM	PART NO.	DESCRIPTION	QTY
		1 2 3 4	
1	101801001	Plate, Receptacle Backing	1
2	101802101	Fuse and Receptacle Assembly (includes items 3 through 10)	1
3	1017705	Screw, #8 X 5/8 Phillips Pan-Head Type AB	3
4	101796501	Receptacle	1
5	101796801	Fuse Assembly (includes item 6)	1
6	1013061	Locknut, #10-32 Nylon Insert	2
7	N/A	Fuse, 3/8-Amp	1
8	N/A	Wire Assembly, Sense Lead, Gray	1
9	N/A	Wire Assembly, #10 Red	1
10	N/A	Wire Assembly, #10 Black	1
11	101832001	Screw, #7-19 X 0.625 Phillips Pan-Head Tap	4

14

E

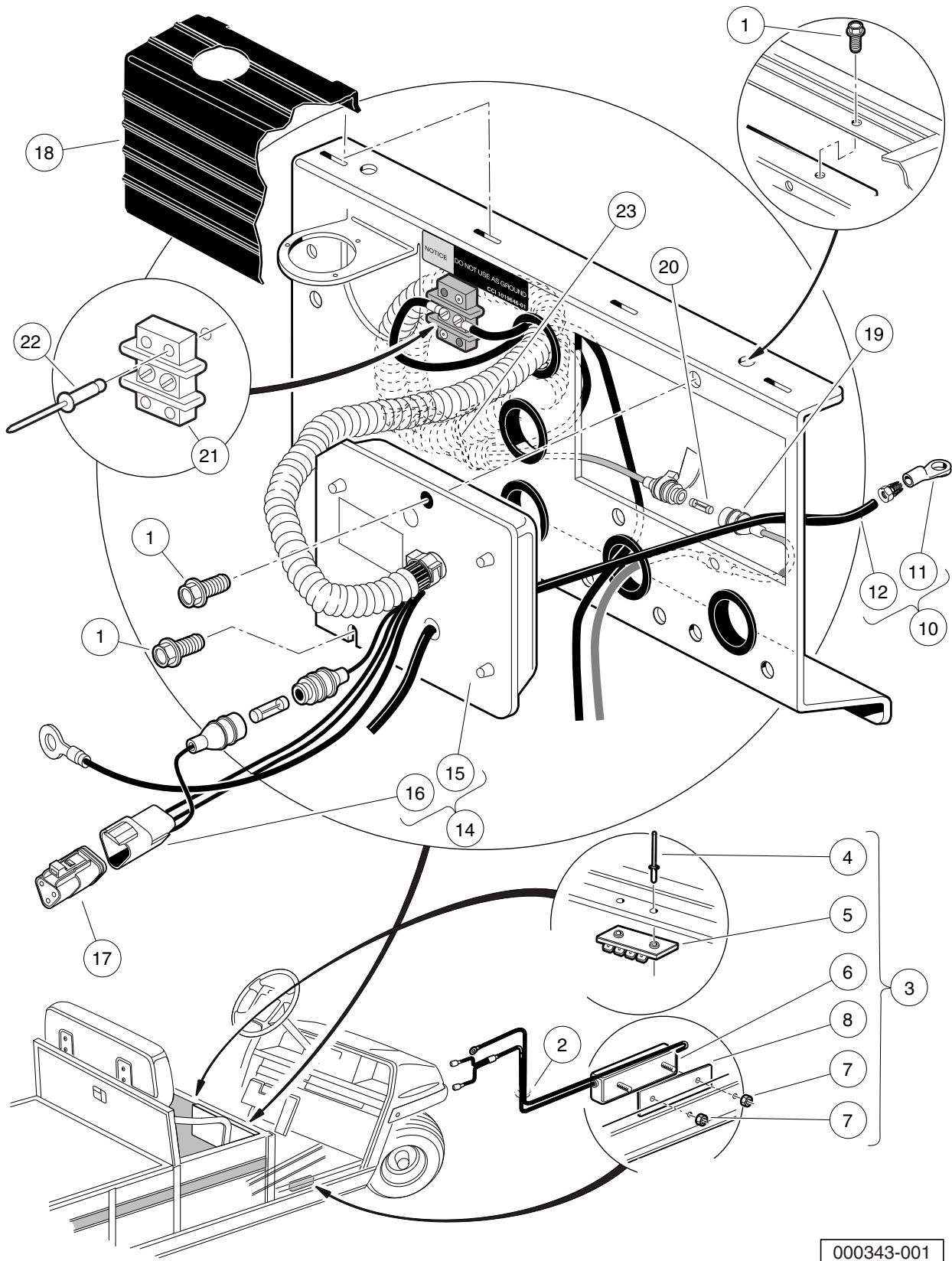


CENTER BODY ELECTRICAL COMPONENTS – CARRYALL 6 POWERDRIVE

ITEM	PART NO.	DESCRIPTION	QTY
		1 2 3 4	
1	1012285	Screw, 1/4 X 0.625 Hex-Head	6
2	1012438	Locknut, #10-24 Nylon Insert	2
3	1014947	Resistor Assembly	1
4	1014948	Diode	1
5	1015741	Fuse Block	1
6	1016	Lockwasher, #10 Split	4
7	1016363	Fuse Block Cover	1
8	1016366	Screw, #10-24 X 3.0 Pan-Head Machine	2
9	1016423	Fuse, 20-Amp	3
10	1016631	Push Nut	2
11	1017	Nut, #10-24 Stainless-Steel Hex Machine	2
12	101840203	Controller, 48-Volt, 300-Amp Series	1
13	101908701	Solenoid, 48-Volt (includes items 14 through 18)	1
14	1012528	Nut, M8-1.25 Hex	2
15	1013734	Lockwasher, 8mm Split	2
16	N/A	Solenoid, 48-Volt	1
17	N/A	Washer, Lock	2
18	N/A	Nut	2
19	101911701	Plate, Electrical Component Mounting	1
20	101918301	Clamp, Plastic Wire	2
21	101924301	Bushing, Snap	6
22	102273101	Diode Assembly	1
23	1218	Screw, 5/16-18 X 1.25 Hex-Head Cap	1
24	1241	Washer, 5/16 Type A Flat	8
25	1242	Nut, 5/16-18 Hex	4
26	183	Washer, #10 Type A Flat	4
27	7173	Screw, 5/16-18 X 0.75 Hex-Head Cap	3
28	7174	Lockwasher, 5/16 Split	4

14

E



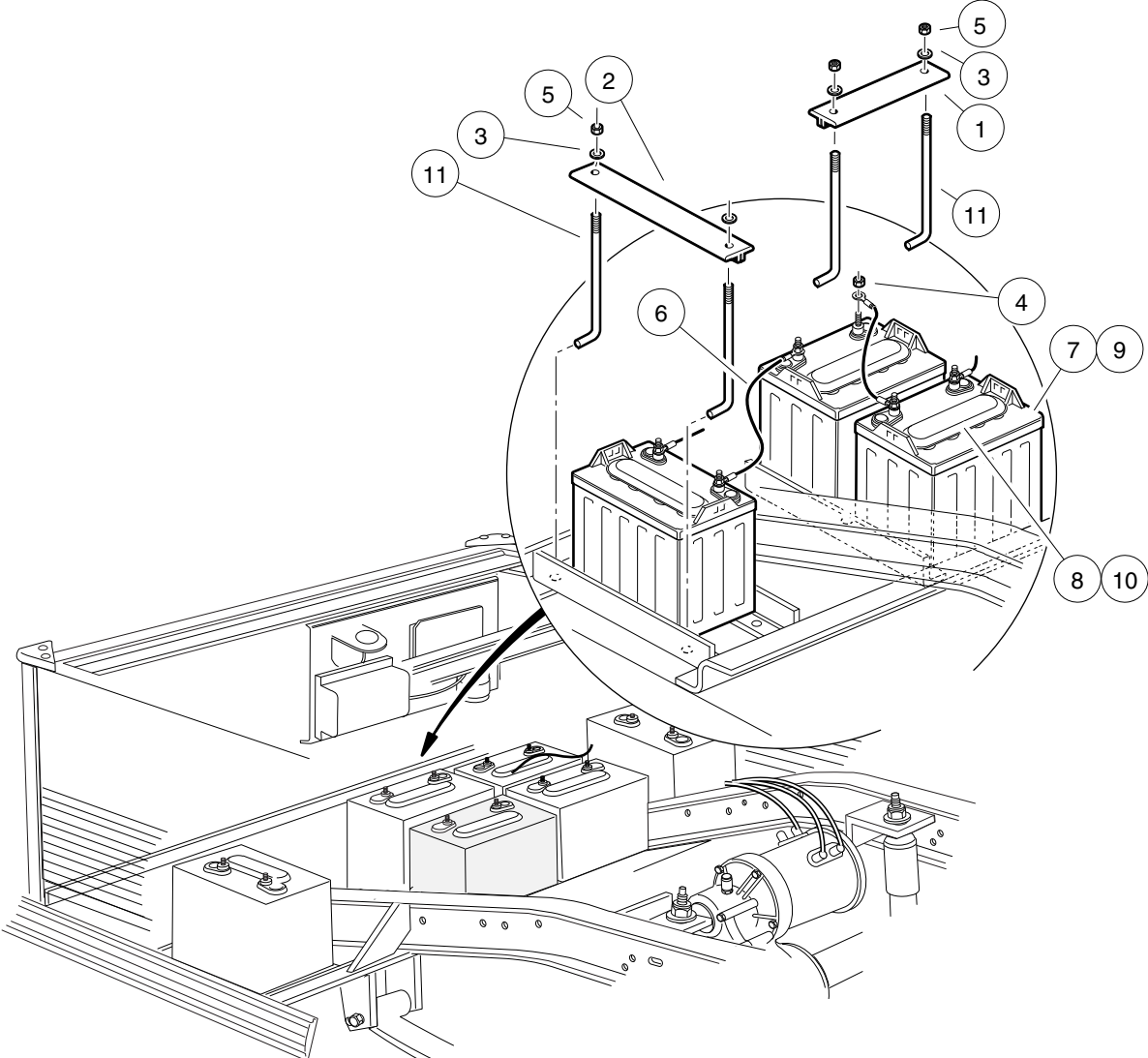
000343-001

CENTER BODY ELECTRICAL COMPONENTS, CONTINUED – CARRYALL 6 POWERDRIVE

ITEM	PART NO.	DESCRIPTION	QTY
		1 2 3 4	
1	1012285	Screw, 1/4 X 0.625 Hex-Head	4
2	101802401	Grommet	1
3	N/A	Kit, 12-Volt Regulator (includes items 4 through 8)	1
4	1013357	Rivet, 5/32 Aluminum Pop	2
5	1016356	Terminal Block with Insulator	1
6	101810501	Limiter, Voltage	1
7	101835601	Locknut, 1/4-20 Hex Whiz	2
8	101962601	Gasket, Voltage Limiter	1
9	101827802	Ground Wire Kit, 48-Volt (includes items 10 through 12)	1
10	101826801	Compression Lug	1
11	N/A	Wire Assembly, Black	1
12	8990	Tie Wrap, 8" Nylon	3
13	101909903	Onboard Computer (includes items 14 and 15)	1
14	N/A	Onboard Computer	1
15	101942301	Kit, 3-Pin Wedge Lock	1
16	101920101	Kit, 3-Pin Wedge Lock	1
17	101931601	Cover, Component	1
18	101957501	Plug, 2-Way (includes item 19)	1
19	N/A	Fuse, 3/8-Amp	1
20	101966801	Block, Terminal	1
21	101968801	Rivet, 3/16", Pop	2
22	102900501	Bearing	1
23	8990	Tie Wrap, 8" Nylon	1
<p>Note: Item 9 is included in kit, but not used in this application. Item 13 is included in the kit, but is not used in this application.</p>			

14

E



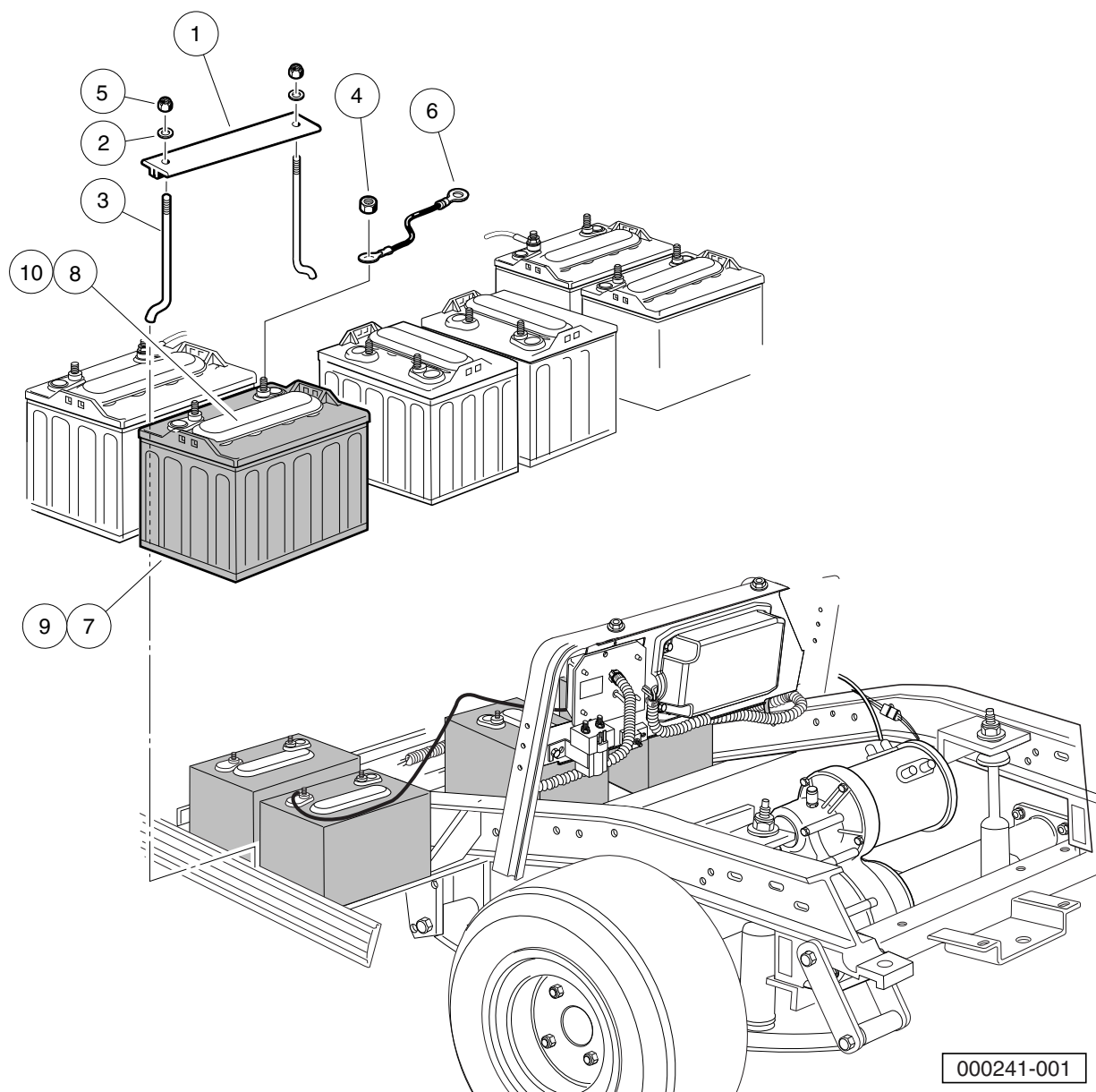
000344-001

BATTERIES – TURF/CARRYALL 2 POWERDRIVE VEHICLES

ITEM	PART NO.	DESCRIPTION	QTY
		1 2 3 4	
1	101090801	Hold-Down, Battery	2
2	101090802	Hold-Down, Battery	2
3	1011578	Washer, 5/16 Type B Flat	8
4	1014304	Nut, 5/16-18 Stainless-Steel Hex	12
5	1015072	Locknut, 5/16-18 Nylon Insert	8
6	101795701	Asm, Wire, #6blk 13in	5
7	101797701	Battery, 8-Volt, T875 (includes item 8)	6
8	101797801	Cap, 4-Gang Battery	1
9	101797702	Battery, 8-Volt, T875 Moist (also known as dry) (includes item 10)	6
10	101797801	Cap, 4-Gang Battery	1
11	102845203	Rod, Battery Hold Down 10.7"	8

14

E

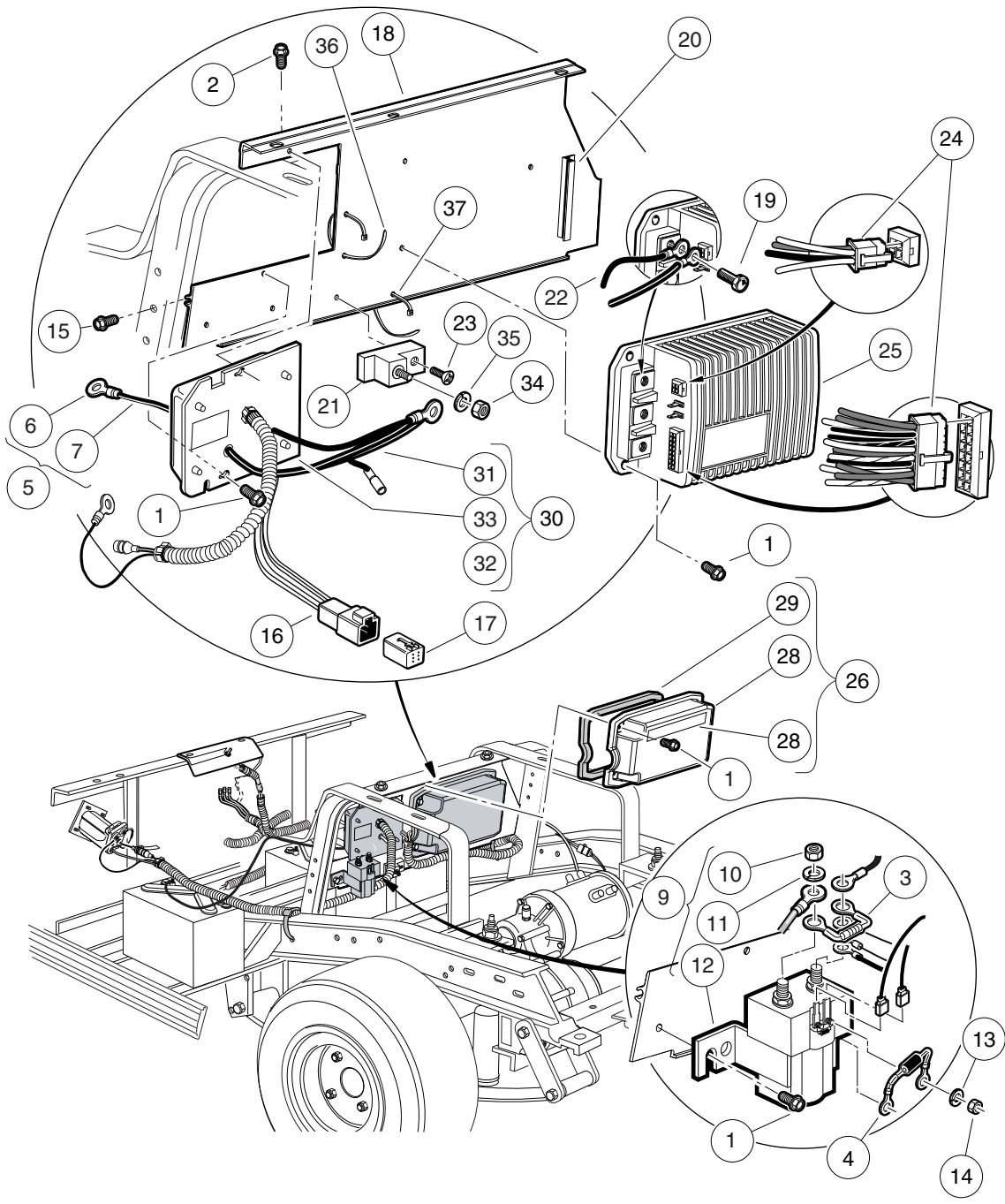


BATTERIES – TURF/CARRYALL 1 WITH 6 8-VOLT BATTERIES

ITEM	PART NO.	DESCRIPTION	QTY
		1 2 3 4	
1	101090801	Hold-Down, Battery	3
2	1011578	Washer, 5/16 Type B Flat	6
3	1013683	J-Bolt	6
4	1014304	Nut, 5/16-18 Stainless-Steel Hex	12
5	1015072	Locknut, 5/16-18 Nylon Insert	6
6	101795701	Asm, Wire, #6blk 13in	5
7	101797701	Battery, 8-Volt, T875 (includes item 8)	6
8	101797801	Cap, 4-Gang Battery	1
9	101797702	Battery, 8-Volt, T875 Moist (also known as dry) (includes item 10)	6
10	101797801	Cap, 4-Gang Battery	1

14

E



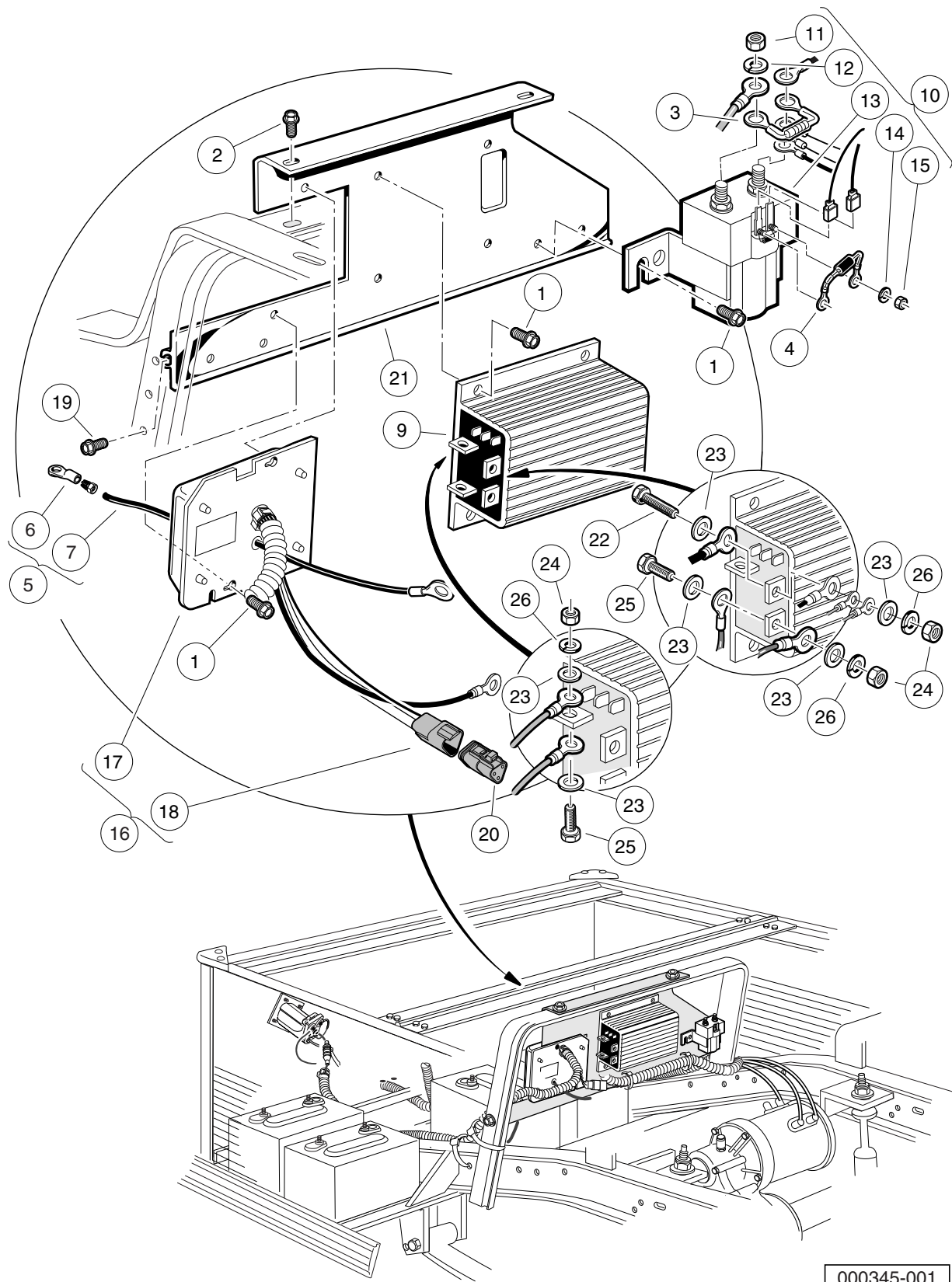
000242-006

OBC, CONTROLLER, AND SOLENOID – ELECTRIC VEHICLE

14

E

ITEM	PART NO.	DESCRIPTION	QTY
		1 2 3 4	
1	1012285	Screw, 1/4 X 0.625 Hex-Head	9
2	1014288	Screw, 5/16-18 X 0.75 Thread-Forming	2
3	1014947	Resistor Assembly	1
4	1014948	Diode	1
5	101827801	Ground Wire Kit, 48-Volt (includes items 6 through 8)	1
6	101826801	Compression Lug	1
7	N/A	Wire Assembly, Black	1
8	8990	Tie Wrap, 8" Nylon	3
9	101908701	Solenoid, 48-Volt (includes items 10 through 14)	1
10	1012528	Nut, M8-1.25 Hex	2
11	1013734	Lockwasher, 8mm Split	2
12	N/A	Solenoid, 48-Volt	1
13	N/A	Washer, Lock	2
14	N/A	Nut	2
15	101910401	Screw, 5/16-18 X 1.25 Thrd Frm	2
16	101932601	Kit, 6-Pin Wedge Lock	1
17	101932701	Kit, 6-Pin Receptacle and Wedge Lock	1
18	101965205	Plate, Component Mounting	1
19	102240501	Bolt, Controller, Terminal	3
20	****	Extrusion, Cover Support	1
21	102259801	Terminal Block	1
22	102263601	Wire Assy, #10 Black	1
23	102263701	Screw, #10-24 X 0.75 Phillips, Thread-Forming	1
24	102266501	Kit, Connector, IQ Controller	1
25	102806201	Controller, IQ, 48-volt	1
26	103316901	Cover Asm - Controller (includes items 27 through 29)	1
27	101931501	Decal, Component Cover	1
28	103316701	Cover - Controller, Deep	1
29	103316801	Gasket - Controller Cover	1
30	N/A	Kit, OBC, DS and Util IQ (includes items 31 through 33)	1
31	103282601	Wire Assembly Black #10	1
32	N/A	Instr Obc Ds Pre 01-28-2007	1
33	103403101	Asm, Obc, Iq, V3.0	1
34	1242	Nut, 5/16-18 Hex	1
35	7174	Lockwasher, 5/16 Split	1
36	8639	Tie Wrap, 11" Nylon	1
37	8990	Tie Wrap, 8" Nylon	1
		**** Special order item available upon request.	



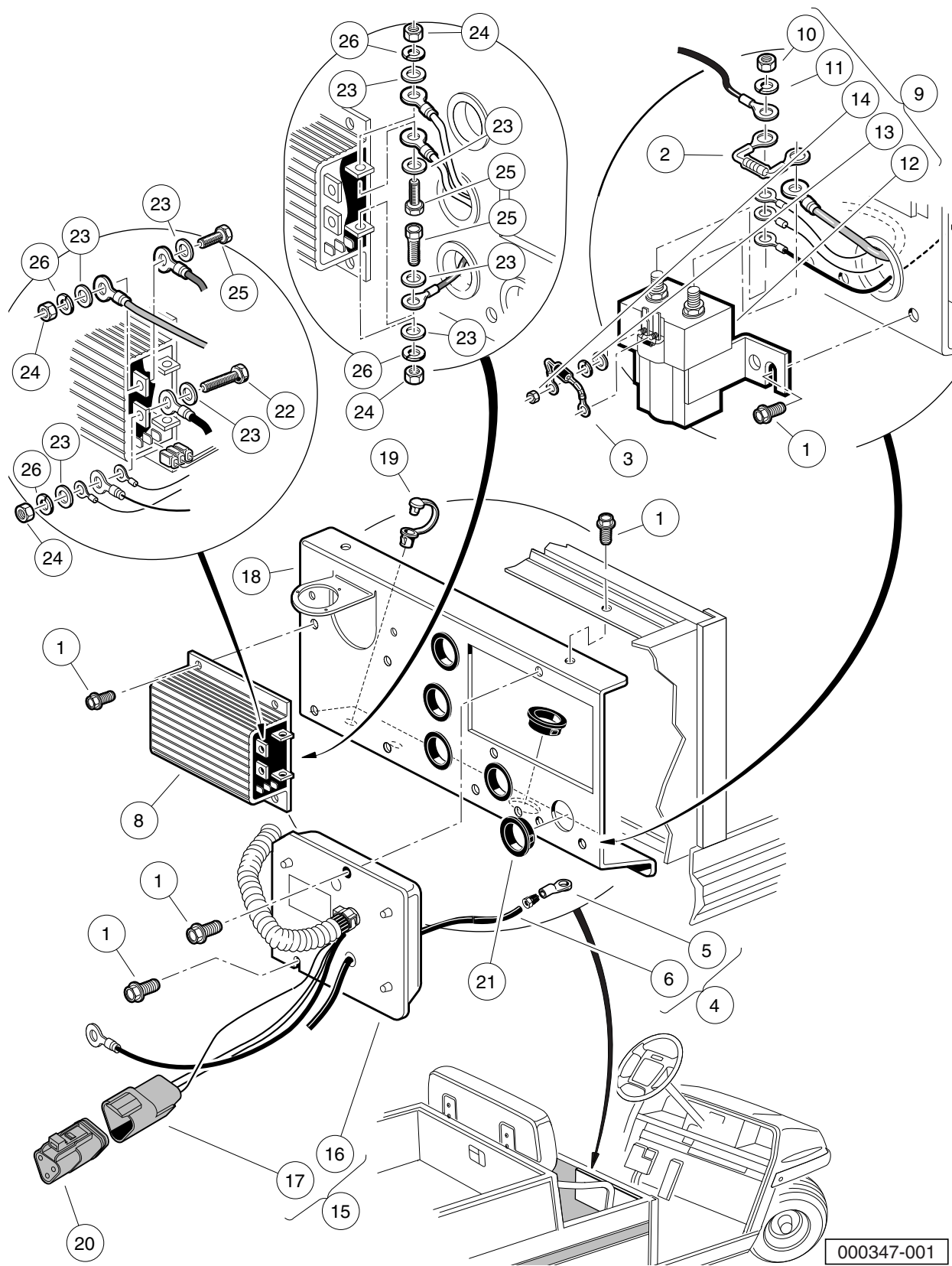
000345-001

COMPUTER, CONTROLLER, AND SOLENOID, TURF/ CARRYALL 1 IQ SYSTEM VEHICLES

ITEM	PART NO.	DESCRIPTION	QTY
		1 2 3 4	
1	1012285	Screw, 1/4 X 0.625 Hex-Head	8
2	1014288	Screw, 5/16-18 X 0.75 Thread-Forming	2
3	1014947	Resistor Assembly	1
4	1014948	Diode	1
5	101827801	Ground Wire Kit, 48-Volt (includes items 6 through 8)	1
6	101826801	Compression Lug	1
7	N/A	Wire Assembly, Black	1
8	8990	Tie Wrap, 8" Nylon	3
9	101840203	Controller, 48-Volt, 300-Amp Series	1
10	101908701	Solenoid, 48-Volt (includes items 11 through 15)	1
11	1012528	Nut, M8-1.25 Hex	2
12	1013734	Lockwasher, 8mm Split	2
13	N/A	Solenoid, 48-Volt	1
14	N/A	Washer, Lock	2
15	N/A	Nut	2
16	101909901	Onboard Computer (includes items 17 and 18)	1
17	N/A	Onboard Computer	1
18	101942301	Kit, 3-Pin Wedge Lock	1
19	101910401	Screw, 5/16-18 X 1.25 Thrd Frm	2
20	101920101	Kit, 3-Pin Wedge Lock	1
21	101965201	Plate, Component Mounting	1
22	1218	Screw, 5/16-18 X 1.25 Hex-Head Cap	1
23	1241	Washer, 5/16 Type A Flat	6
24	1242	Nut, 5/16-18 Hex	3
25	7173	Screw, 5/16-18 X 0.75 Hex-Head Cap	2
26	7174	Lockwasher, 5/16 Split	3

14

E



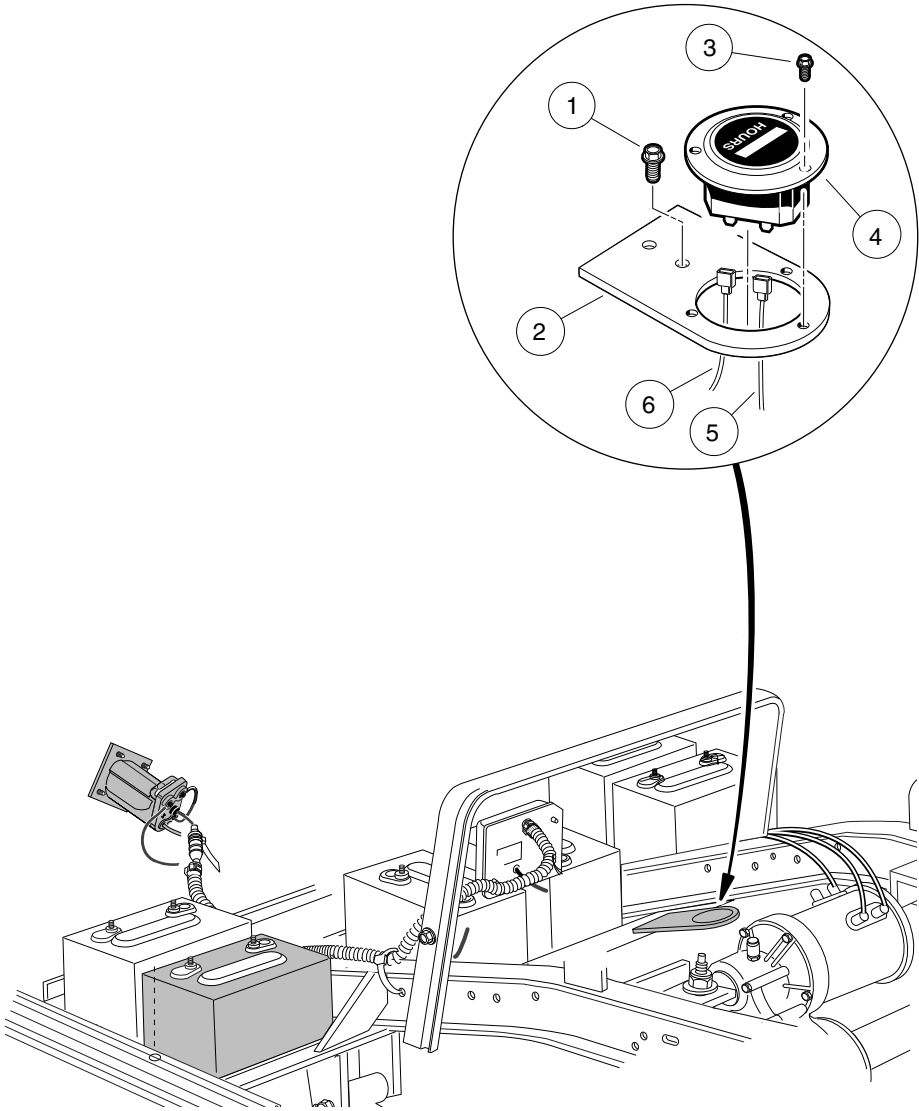
000347-001

COMPUTER, CONTROLLER, AND SOLENOID – TURF/ CARRYALL 2 POWERDRIVE VEHICLES

ITEM	PART NO.	DESCRIPTION	QTY
		1 2 3 4	
1	1012285	Screw, 1/4 X 0.625 Hex-Head	10
2	1014947	Resistor Assembly	1
3	1014948	Diode	1
4	101827802	Ground Wire Kit, 48-Volt (includes items 5 through 7)	1
5	101826801	Compression Lug	1
6	N/A	Wire Assembly, Black	1
7	8990	Tie Wrap, 8" Nylon	3
8	101840203	Controller, 48-Volt, 300-Amp Series	1
9	101908701	Solenoid, 48-Volt (includes items 10 through 14)	1
10	1012528	Nut, M8-1.25 Hex	2
11	1013734	Lockwasher, 8mm Split	2
12	N/A	Solenoid, 48-Volt	1
13	N/A	Washer, Lock	2
14	N/A	Nut	2
15	101909905	Onboard Computer (includes items 16 and 17)	1
16	N/A	Onboard Computer	1
17	101942301	Kit, 3-Pin Wedge Lock	1
18	101911701	Plate, Electrical Component Mounting	1
19	101918301	Clamp, Plastic Wire	2
20	101920101	Kit, 3-Pin Wedge Lock	1
21	101924301	Bushing, Snap	6
22	1218	Screw, 5/16-18 X 1.25 Hex-Head Cap	1
23	1241	Washer, 5/16 Type A Flat	8
24	1242	Nut, 5/16-18 Hex	4
25	7173	Screw, 5/16-18 X 0.75 Hex-Head Cap	3
26	7174	Lockwasher, 5/16 Split	4

14

E



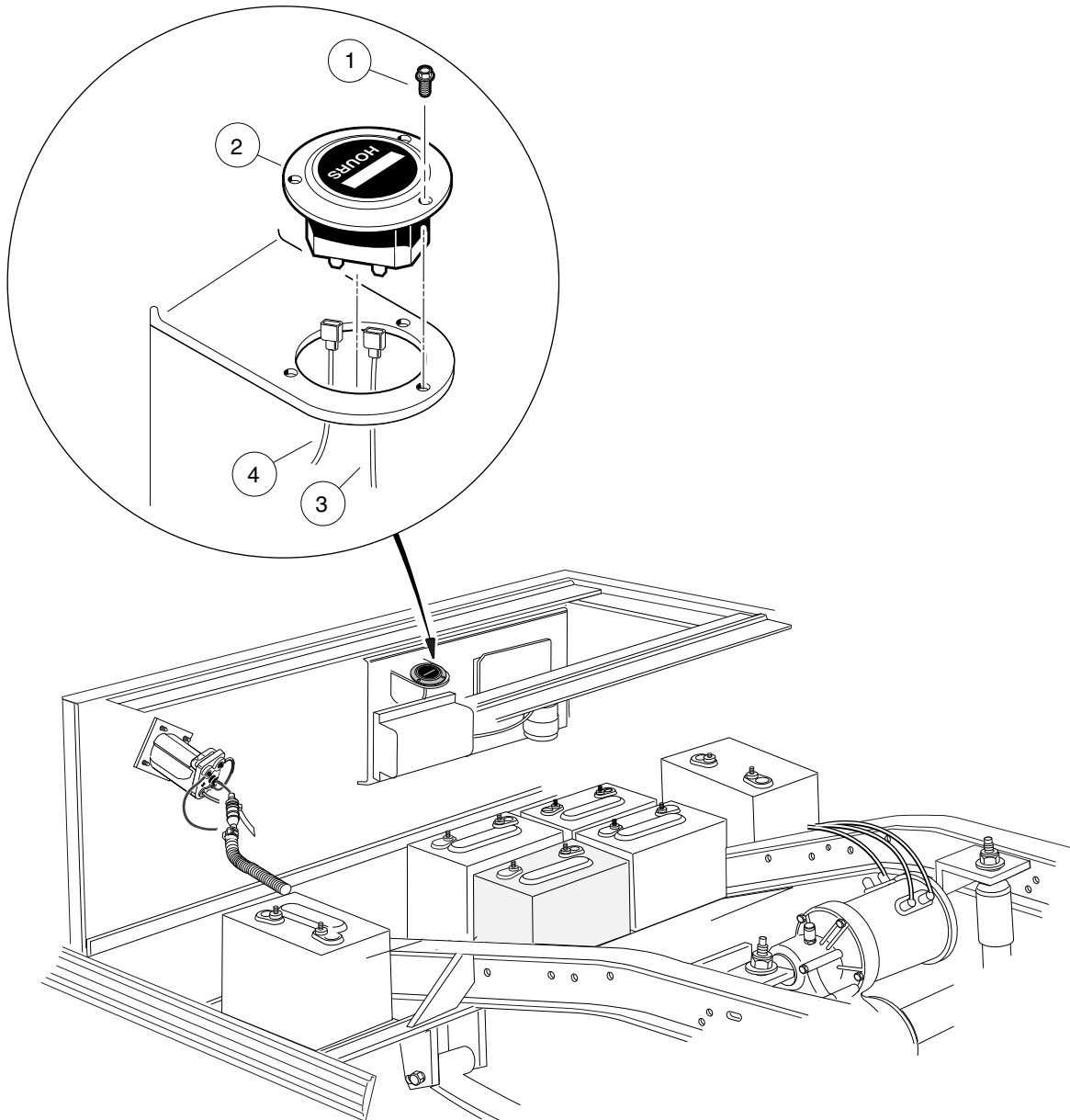
000341-001

HOUR METER – TURF 1 VEHICLES

ITEM	PART NO.	DESCRIPTION	QTY
		1 2 3 4	
1	1012285	Screw, 1/4 X 0.625 Hex-Head	1
2	1013547	Hour Meter Bracket	1
3	1014540	Screw, #6-32 X 3/8 Taptite	3
4	N/A	Hour Meter	1
5	101997802	Wire Assembly #18 Yellow	1
6	N/A	Wire Assy, #18 Blue	1

14

E



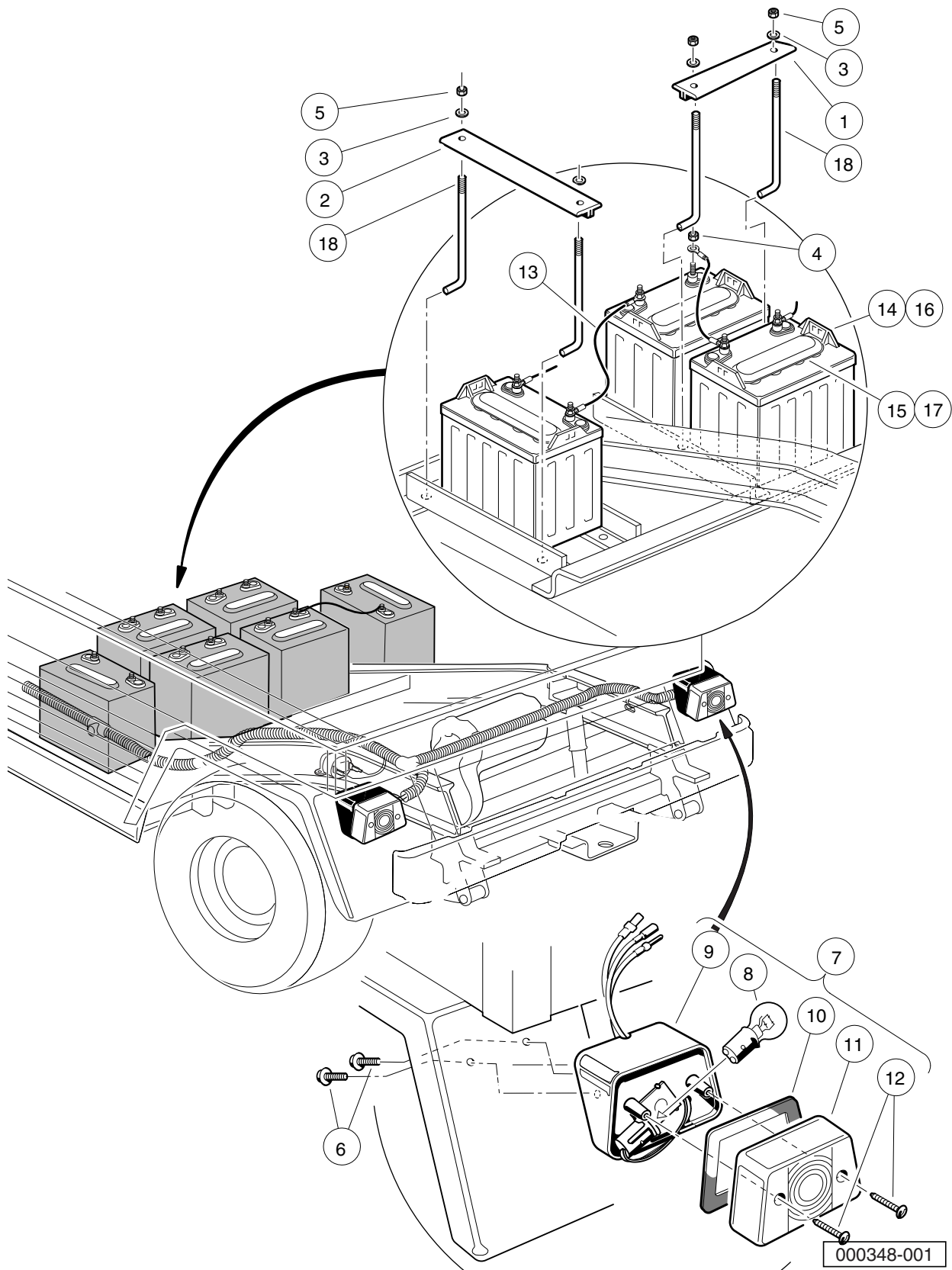
000346-001

HOUR METER – TURF 2 VEHICLES

ITEM	PART NO.	DESCRIPTION	QTY
		1 2 3 4	
1	1014540	Screw, #6-32 X 3/8 Taptite	3
2	N/A	Hour Meter	1
3	101997802	Wire Assembly #18 Yellow	1
4	N/A	Wire Assy, #18 Blue	1

14

E



ELECTRICAL COMPONENTS, REAR BODY – CARRYALL 6 POWERDRIVE

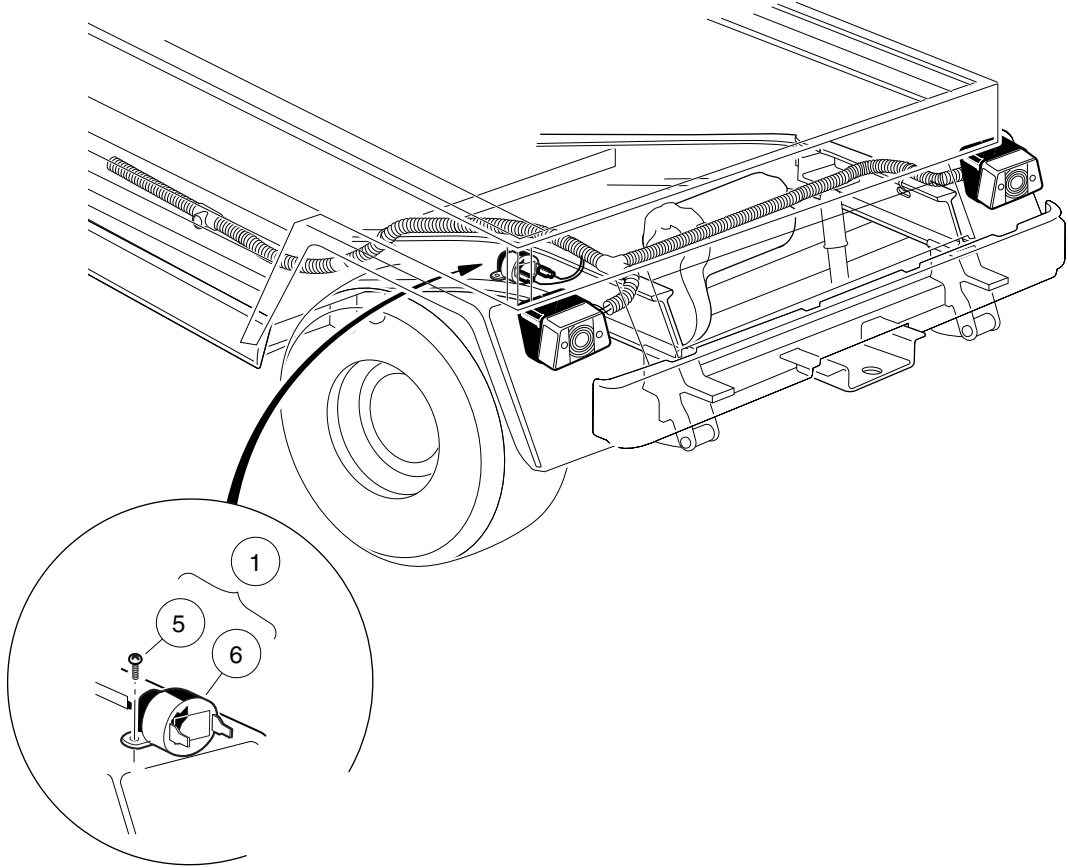
ITEM	PART NO.	DESCRIPTION	QTY
		1 2 3 4	
1	101090801	Hold-Down, Battery	2
2	101090802	Hold-Down, Battery	2
3	1011578	Washer, 5/16 Type B Flat	8
4	1014304	Nut, 5/16-18 Stainless-Steel Hex	12
5	1015072	Locknut, 5/16-18 Nylon Insert	8
6	1015752	Screw, #12-16 X 0.625 Hi-Lo	4
7	1016717	Light Assembly, Stop/Taillight (includes items 8 through 12)	2
8	1011582	Taillight Bulb	1
9	N/A	Housing, Taillight	1
10	N/A	Gasket, Taillight	1
11	N/A	Lens, Taillight	1
12	N/A	Screw, Taillight Lens	2
13	101795701	Asm, Wire, #6blk 13in	5
14	101797701	Battery, 8-Volt, T875 (includes item 15)	6
15	101797801	Cap, 4-Gang Battery	1
16	101797702	Battery, 8-Volt, T875 Moist (also known as dry) (includes item 17)	6
17	101797801	Cap, 4-Gang Battery	1
18	102845203	Rod, Battery Hold Down 10.7"	8

14

E

14

E



000432-001

REAR REVERSE BUZZER – CARRYALL 6

ITEM	PART NO.	DESCRIPTION	QTY
		1 2 3 4	
1	1016859	Kit, Reverse Buzzer (includes items 2 through 10)	1
2	1011229	Locknut, #6-32 Whiz	1
3	1012431	Washer, #4 Flat	2
4	1015720	Screw, #6-32 X 1/2 Hex Washer-Head	1
5	1016849	Screw, #4-24 X 0.33 Pan-Head Machine	2
6	1016851	Buzzer, Reverse (9-48 VDC)	1
7	1016857	Wire Assembly Black #18	1
8	8056	Screw, #4-40 X 0.75 Round-Head Machine	2
9	8057	Nut, #4-40 Hex Machine	2
10	8058	Lockwasher, #4 Split	2
		<p>Note: Note: Items 2 through 4 and 7 through 10 are included in the kit, but are not used in this application.</p>	

14

E

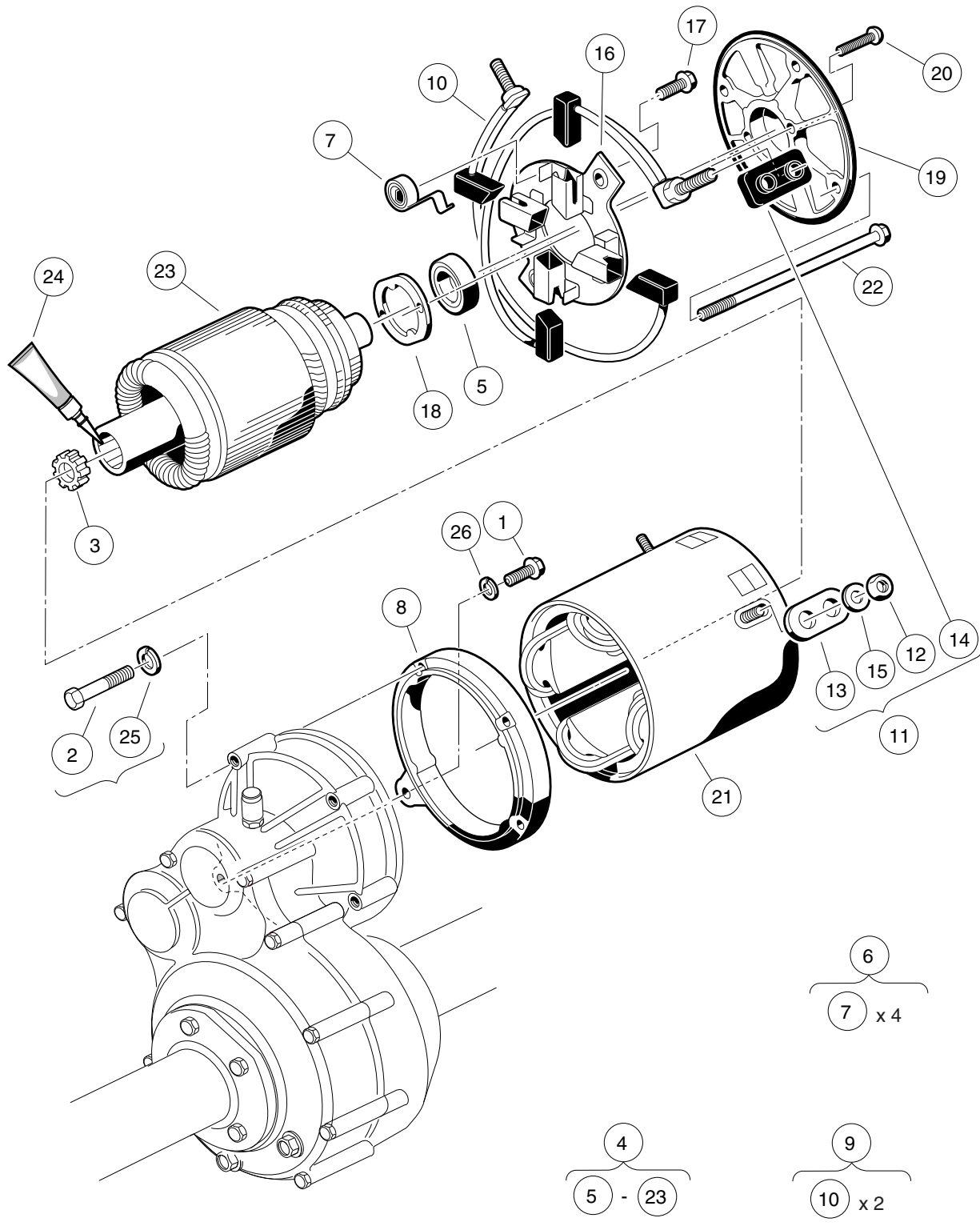
14

E

ELECTRIC MOTOR

15

E



000350-001

MOTOR (MODEL 5BC59JBS6360) – POWERDRIVE

ITEM	PART NO.	DESCRIPTION	QTY
		1 2 3 4	
1	1010934	Screw, 5/16-18 X 1.00 Hex Cap	1
2	1014201	Screw, 1/4-20 X 2.25 Hex Cap	3
3	102235201	Bumper, Drive Unit	1
4	102237701	Motor, 48-Volt Series, 3.10 hp (includes items 5 through 23)	1
5	1011290	Ball Bearing	1
6	1011411	Kit, Brush Spring (ge Motor) (includes item 7)	1
7	1011285	Brush Spring	4
8	1017944	End Shield	1
9	N/A	Brush Package (includes item 10)	1
10	N/A	Brush with Screw	2
11	1017947	Hardware Package (includes items 12 through 15)	1
12	1011280	Locknut, 5/16-18	4
13	N/A	Insulator Bushing	2
14	N/A	Insulated Bushing	2
15	1241	Washer, 5/16 Type A Flat	4
16	1017948	Brush Rigging	1
17	1017949	Screw, #6-32 X 0.480 Hex-Head	2
18	1017950	Bearing Retainer	1
19	1017951	End Shield	1
20	1017953	Screw, Bearing Retainer	2
21	1017958	Stator Shell and Winding, 48-Volt, 3.15 hp	1
22	1017961	Clamp Screw	4
23	N/A	Armature, Series	1
24	102243403	Lubricant, Moly-Teflon (Single-Use Tube)	1
25	451	Lockwasher, 1/4 Split	3
26	7174	Lockwasher, 5/16 Split	1

15

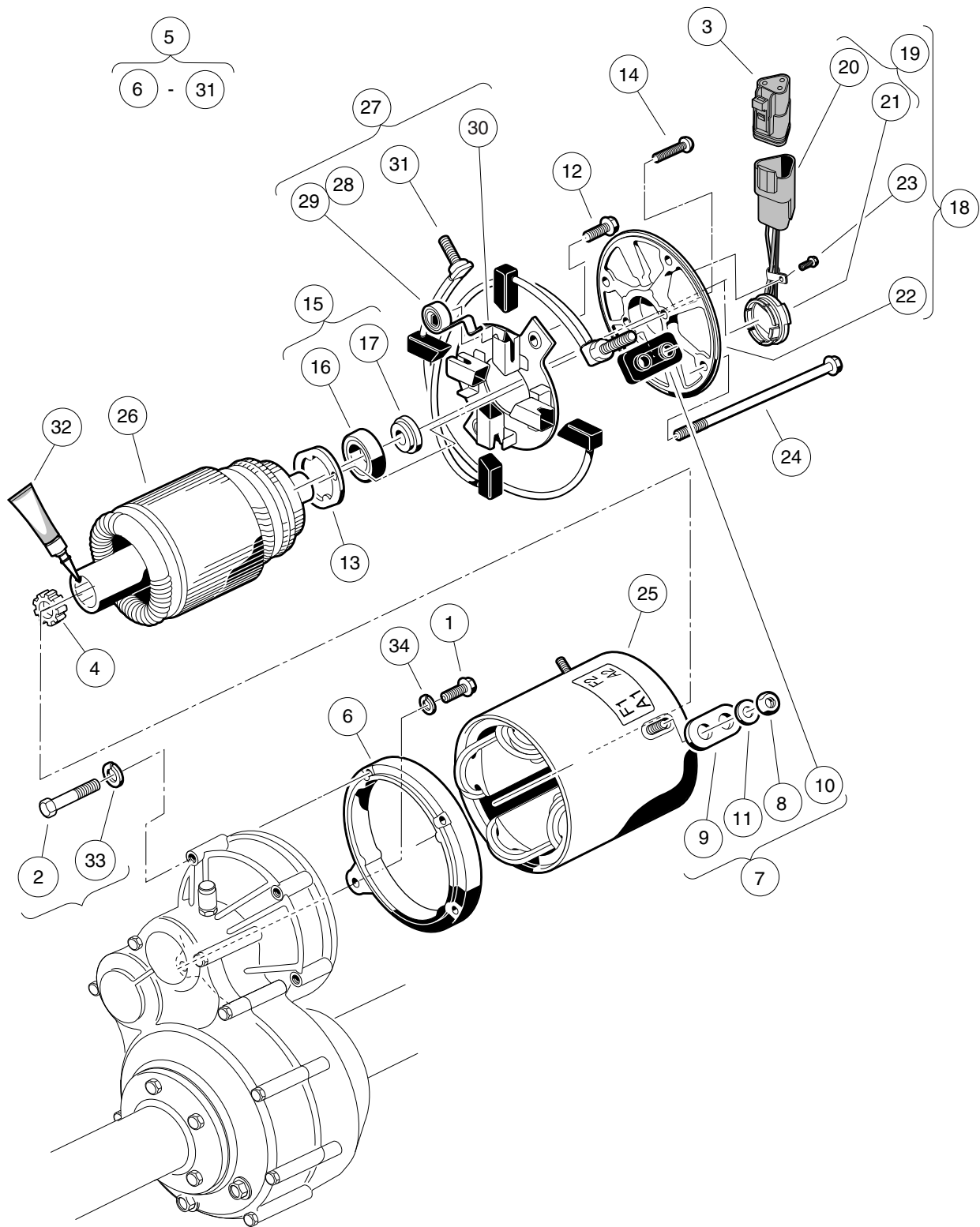
E

MOTOR (MODEL 5BC59JBS6365) – ELECTRIC VEHICLE

ITEM	PART NO.	DESCRIPTION	QTY
		1 2 3 4	
1	1010934	Screw, 5/16-18 X 1.00 Hex Cap	1
2	1014201	Screw, 1/4-20 X 2.25 Hex Cap	3
3	101920101	Kit, 3-Pin Wedge Lock	1
4	102235201	Bumper, Drive Unit	1
5	102240102	Motor, 48-Volt Shunt-Wound * (includes items 6 through 31)	1
6	1017944	End Shield	1
7	1017947	Hardware Package (includes items 8 through 11)	1
8	1011280	Locknut, 5/16-18	4
9	N/A	Insulator Bushing	2
10	N/A	Insulated Bushing	2
11	1241	Washer, 5/16 Type A Flat	4
12	1017949	Screw, #6-32 X 0.480 Hex-Head	2
13	1017950	Bearing Retainer	1
14	1017953	Screw, Bearing Retainer	2
15	102265501	Stator Shell and Winding	1
16	102265701	Kit, Bearing and Magnet (includes items 17 and 18)	1
17	1011290	Ball Bearing	1
18	102265801	Magnet	1
19	102265901	Motor End Shield Asm (includes items 20 through 24)	1
20	102265601	Speed Sensor Assembly (includes items 21 and 22)	1
21	101942301	Kit, 3-Pin Wedge Lock	1
22	N/A	Sensor, Speed, without Connector	1
23	102266001	End Shield, Motor	1
24	102267001	Screw, #8-32 X 0.375 Hex-Head	1
25	102266101	Screw, #10 - 32 X 8.250	4
26	102327801	Brush Assembly, Beveled (includes items 27 through 30)	1
27	1011411	Kit, Brush Spring (ge Motor) (includes item 28)	1
28	1011285	Brush Spring	4
29	1017948	Brush Rigging	1
30	102251901	Brush Kit, Motor	1
31	N/A	Armature	1
32	102243403	Lubricant, Moly-Teflon (Single-Use Tube)	1
33	451	Lockwasher, 1/4 Split	3
34	7174	Lockwasher, 5/16 Split	1
* Note: The model 5BC59JBS6365 motor has been discontinued. To replace the motor, use motor model EJ8-4001A.			

15

E



000349-002

MOTOR (MODEL 5BC59JBS6390) – ELECTRIC VEHICLE

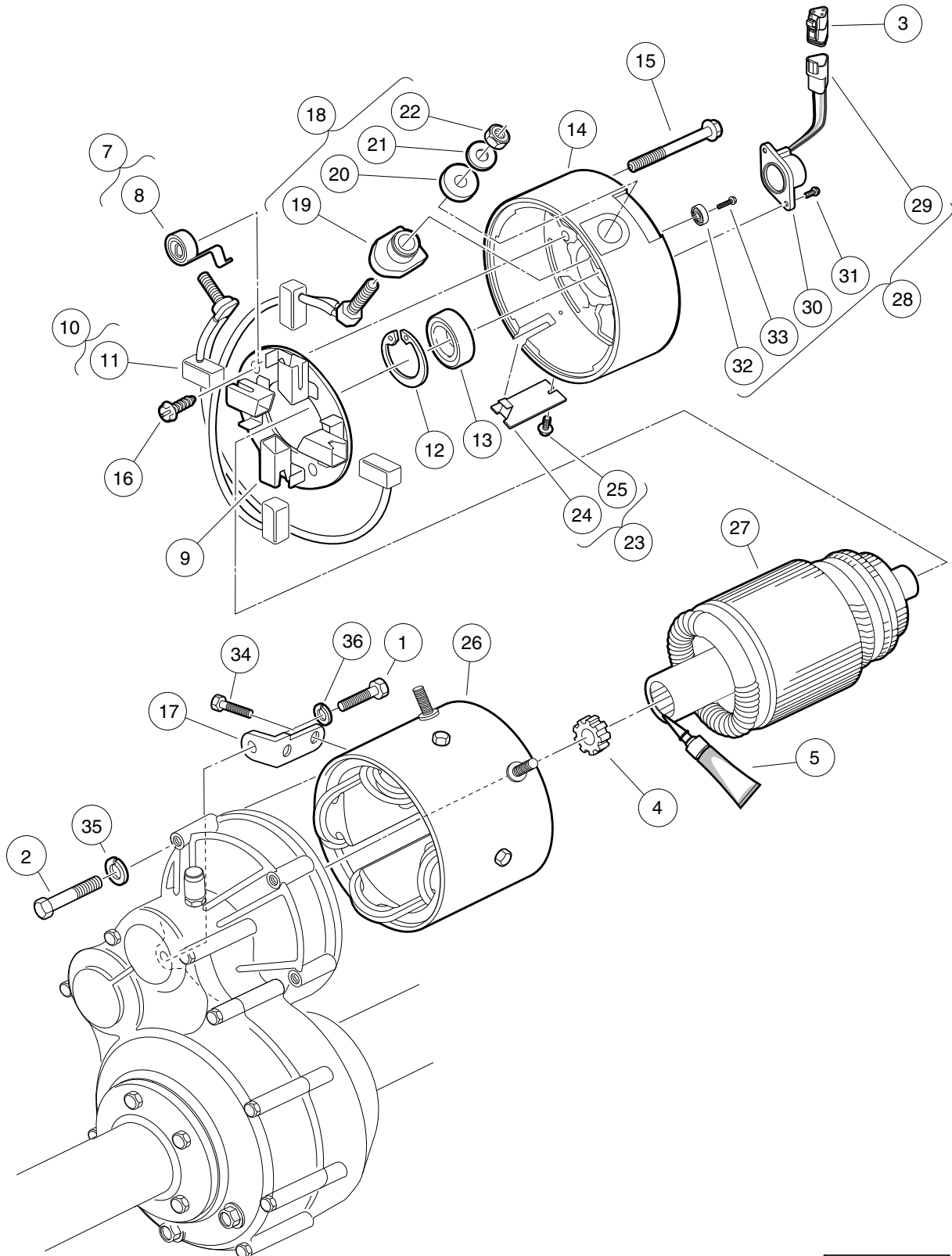
ITEM	PART NO.	DESCRIPTION	QTY
		1 2 3 4	
1	1010934	Screw, 5/16-18 X 1.00 Hex Cap	1
2	1014201	Screw, 1/4-20 X 2.25 Hex Cap	3
3	101920101	Kit, 3-Pin Wedge Lock	1
4	102235201	Bumper, Drive Unit	1
5	102240104	Motor, 48-Volt Non-Skew IQ * (includes items 6 through 27)	1
6	1017944	End Shield	1
7	1017947	Hardware Package (includes items 8 through 11)	1
8	1011280	Locknut, 5/16-18	4
9	N/A	Insulator Bushing	2
10	N/A	Insulated Bushing	2
11	1241	Washer, 5/16 Type A Flat	4
12	1017949	Screw, #6-32 X 0.480 Hex-Head	2
13	1017950	Bearing Retainer	1
14	1017953	Screw, Bearing Retainer	2
15	102265701	Kit, Bearing and Magnet (includes items 16 and 17)	1
16	1011290	Ball Bearing	1
17	102265801	Magnet	1
18	102265901	Motor End Shield Asm (includes items 19 through 23)	1
19	102265601	Speed Sensor Assembly (includes items 20 and 21)	1
20	101942301	Kit, 3-Pin Wedge Lock	1
21	N/A	Sensor, Speed, without Connector	1
22	102266001	End Shield, Motor	1
23	102267001	Screw, #8-32 X 0.375 Hex-Head	1
24	102266101	Screw, #10 - 32 X 8.250	4
25	103325701	Stator Shell and Winding	1
26	103325801	Non Skew Armature	1
27	103337601	Brush Assembly, IQ Motor, Non-Skew (includes items 28 through 31)	1
28	1011411	Kit, Brush Spring (ge Motor) (includes item 29)	1
29	1011285	Brush Spring	4
30	103325501	Brush Rigging, Non-Skew Motor	1
31	103325601	Brush Set, Non-Skew	1
32	102243403	Lubricant, Moly-Teflon (Single-Use Tube)	1
33	451	Lockwasher, 1/4 Split	3
34	7174	Lockwasher, 5/16 Split	1
* Note: The model 5BC59JBS6390 motor has been discontinued. To replace the motor, use motor model EJ8-4001A.			

15

E

15

E



000185-001

MOTOR (MODEL EJ4-4001) – ELECTRIC VEHICLE

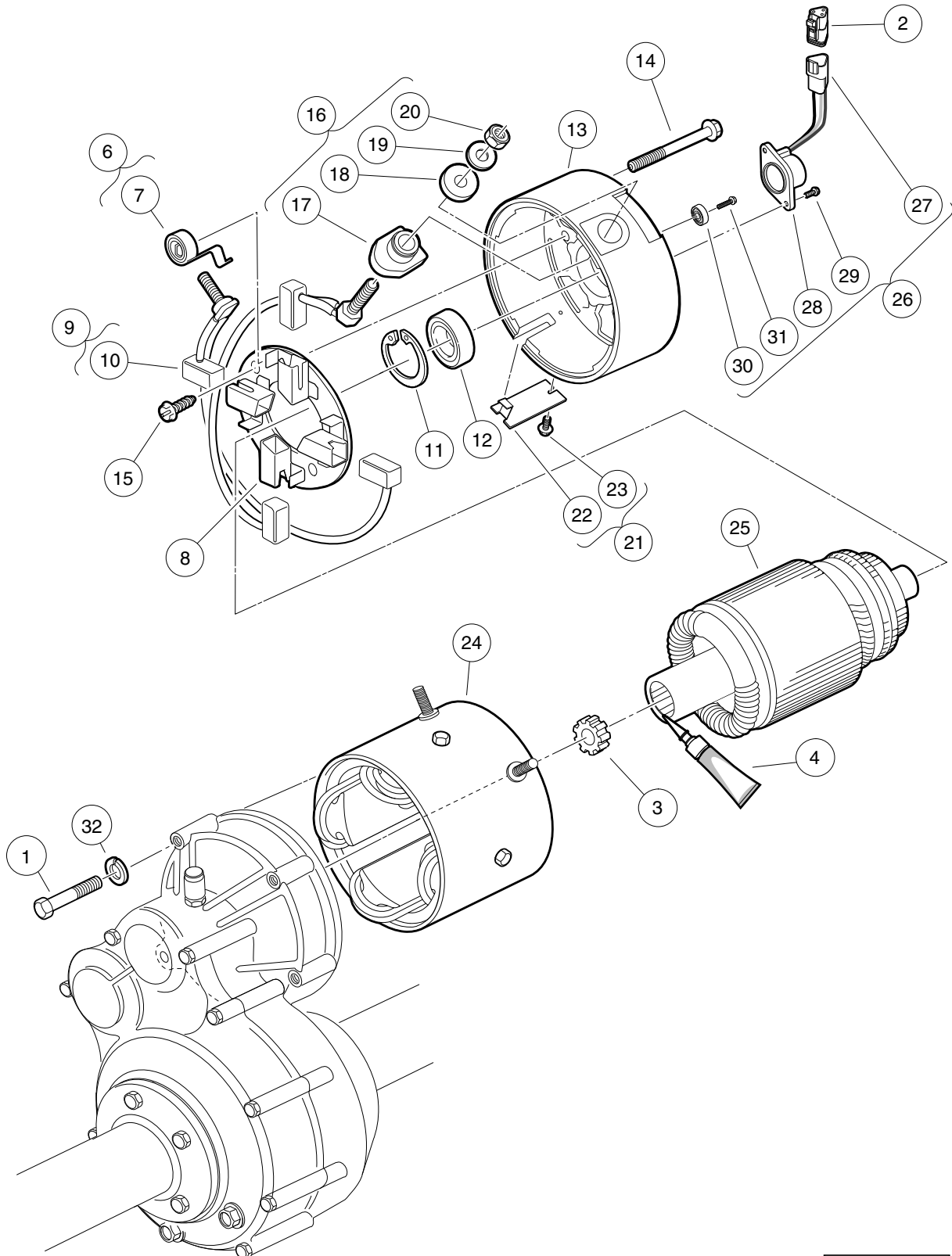
ITEM	PART NO.	DESCRIPTION	QTY
		1 2 3 4	
1	1010934	Screw, 5/16-18 X 1.00 Hex Cap	1
2	1014201	Screw, 1/4-20 X 2.25 Hex Cap	3
3	101920101	Kit, 3-Pin Wedge Lock	1
4	102235201	Bumper, Drive Unit	1
5	102243403	Lubricant, Moly-Teflon (Single-Use Tube)	1
6	102705001	IQ Electric Motor, 48-VDC 3.3 hp * (includes items 7 through 34)	1
7	102186001	Spring Kit, Motor Brush (includes item 8)	1
8	N/A	Spring, Brush, S-g	4
9	102186101	Brush Box Assembly	1
10	102186201	Brush Kit, Motor (includes item 11)	1
11	N/A	Assembly, Brush and Terminal	2
12	102186301	Ring, 2.24" Internal Retaining	1
13	102186401	Bearing, Ball	1
14	102186701	End Cap, Motor	1
15	N/A	Screw, 1/4-20 X 2.25 Hex-Head Washer	2
16	102186901	Screw, #8-32 X .5 Hex-Head	2
17	102187001	L-Bracket, Motor	1
18	102187101	Hardware Kit, Motor Terminal (includes items 19 through 22)	2
19	N/A	Bushing, Nylon	2
20	N/A	Washer, Nylon Flat	2
21	N/A	Washer, Flat, 5/16 Steel	2
22	N/A	Nut, Brass Hex, 5/16 - 18	2
23	102187201	Plate Kit, Motor Cover (includes items 24 and 25)	1
24	N/A	Assembly, Cover Plate	1
25	N/A	Screw, #8-32 x 0.375, Taptite Thread	1
26	102704701	Frame and Field Assembly	1
27	102704801	Armature Assembly	1
28	102704901	Kit, Speed Sensor (includes items 29 through 33)	1
29	101942301	Kit, 3-Pin Wedge Lock	1
30	N/A	Sensor, Motor Speed, ADC	1
31	N/A	Screw, #8-32, Taptite Thread	2
32	N/A	Magnet, ADC Motor	1
33	N/A	Screw, 1/4-20 x 0.5	1
34	N/A	Bolt, 1/4 - 20 x 0.73 Thread-Forming	2
35	451	Lockwasher, 1/4 Split	3
36	7174	Lockwasher, 5/16 Split	1
* Note: The model EJ4-4001 motor has been discontinued. To replace the motor, use motor model EJ8-4001A.			

15

E

15

E



000185-002

MOTOR (MODEL EJ8-4001A) – ELECTRIC VEHICLE

ITEM	PART NO.	DESCRIPTION	QTY
		1 2 3 4	
1	1014201	Screw, 1/4-20 X 2.25 Hex Cap	3
2	101920101	Kit, 3-Pin Wedge Lock	1
3	102235201	Bumper, Drive Unit	1
4	102243403	Lubricant, Moly-Teflon (Single-Use Tube)	1
5	N/A	IQ Electric Motor, 48-VDC 3.3 hp (includes items 6 through 26)	1
6	102186001	Spring Kit, Motor Brush (includes item 7)	1
7	N/A	Spring, Brush, S-g	4
8	102186101	Brush Box Assembly	1
9	102186201	Brush Kit, Motor (includes item 10)	1
10	N/A	Assembly, Brush and Terminal	2
11	102186301	Ring, 2.24" Internal Retaining	1
12	102186401	Bearing, Ball	1
13	102186701	End Cap, Motor	1
14	N/A	Screw, 1/4-20 X 2.25 Hex-Head Washer	2
15	102186901	Screw, #8-32 X .5 Hex-Head	2
16	102187101	Hardware Kit, Motor Terminal (includes items 17 through 20)	2
17	N/A	Bushing, Nylon	2
18	N/A	Washer, Nylon Flat	2
19	N/A	Washer, Flat, 5/16 Steel	2
20	N/A	Nut, Brass Hex, 5/16 - 18	2
21	102187201	Plate Kit, Motor Cover (includes items 22 and 23)	1
22	N/A	Assembly, Cover Plate	1
23	N/A	Screw, #8-32 x 0.375, Taptite Thread	1
24	102704701	Frame and Field Assembly	1
25	102704801	Armature Assembly	1
26	102704901	Kit, Speed Sensor (includes items 27 through 31)	1
27	101942301	Kit, 3-Pin Wedge Lock	1
28	N/A	Sensor, Motor Speed, ADC	1
29	N/A	Screw, #8-32, Taptite Thread	2
30	N/A	Magnet, ADC Motor	1
31	N/A	Screw, 1/4-20 x 0.5	1
32	451	Lockwasher, 1/4 Split	3

15

E

15

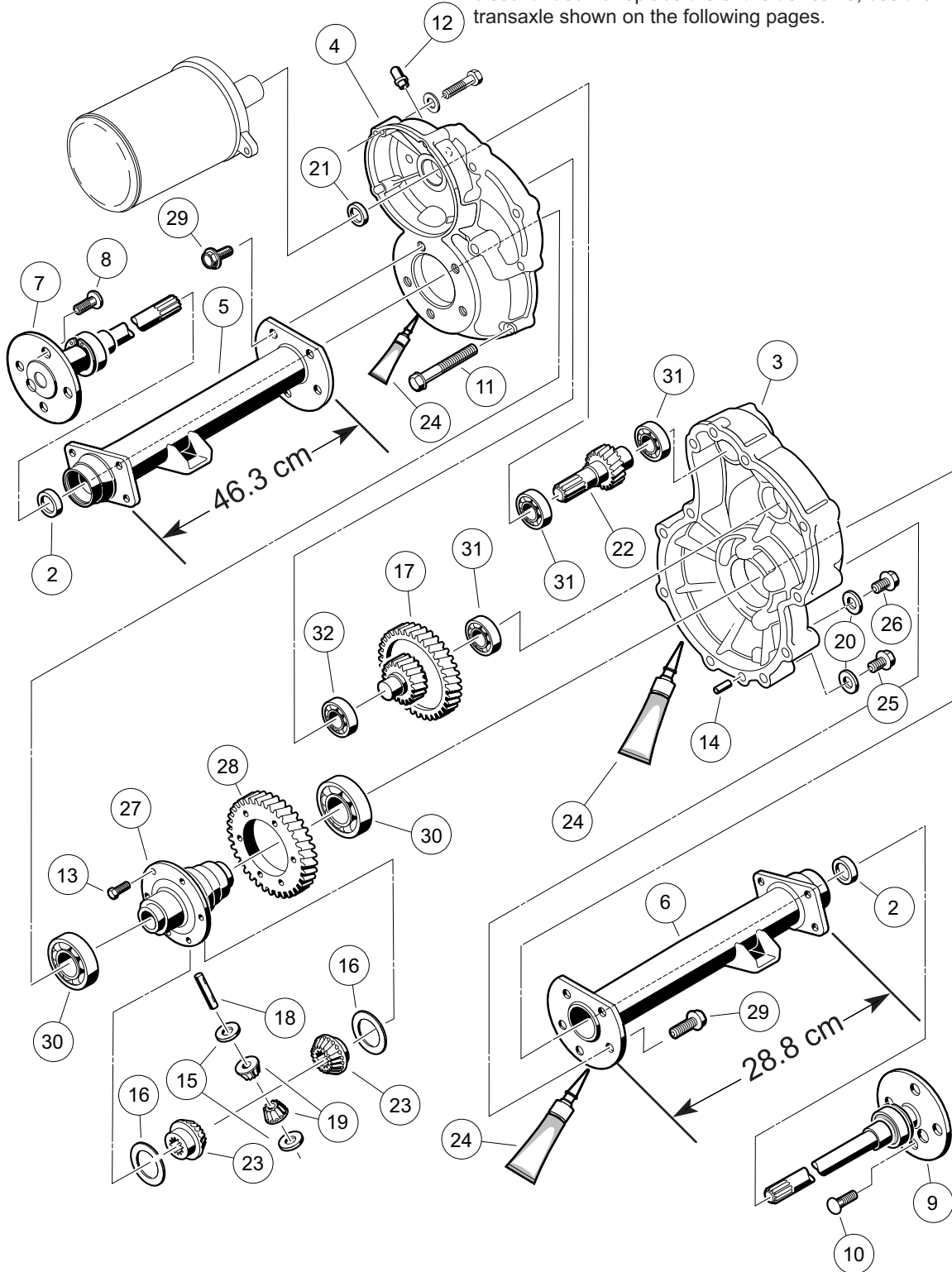
E

TRANSAXLE – ELECTRIC VEHICLES

16

E

Note: This transaxle (as a complete unit) has been discontinued. To replace the entire transaxle, use the transaxle shown on the following pages.



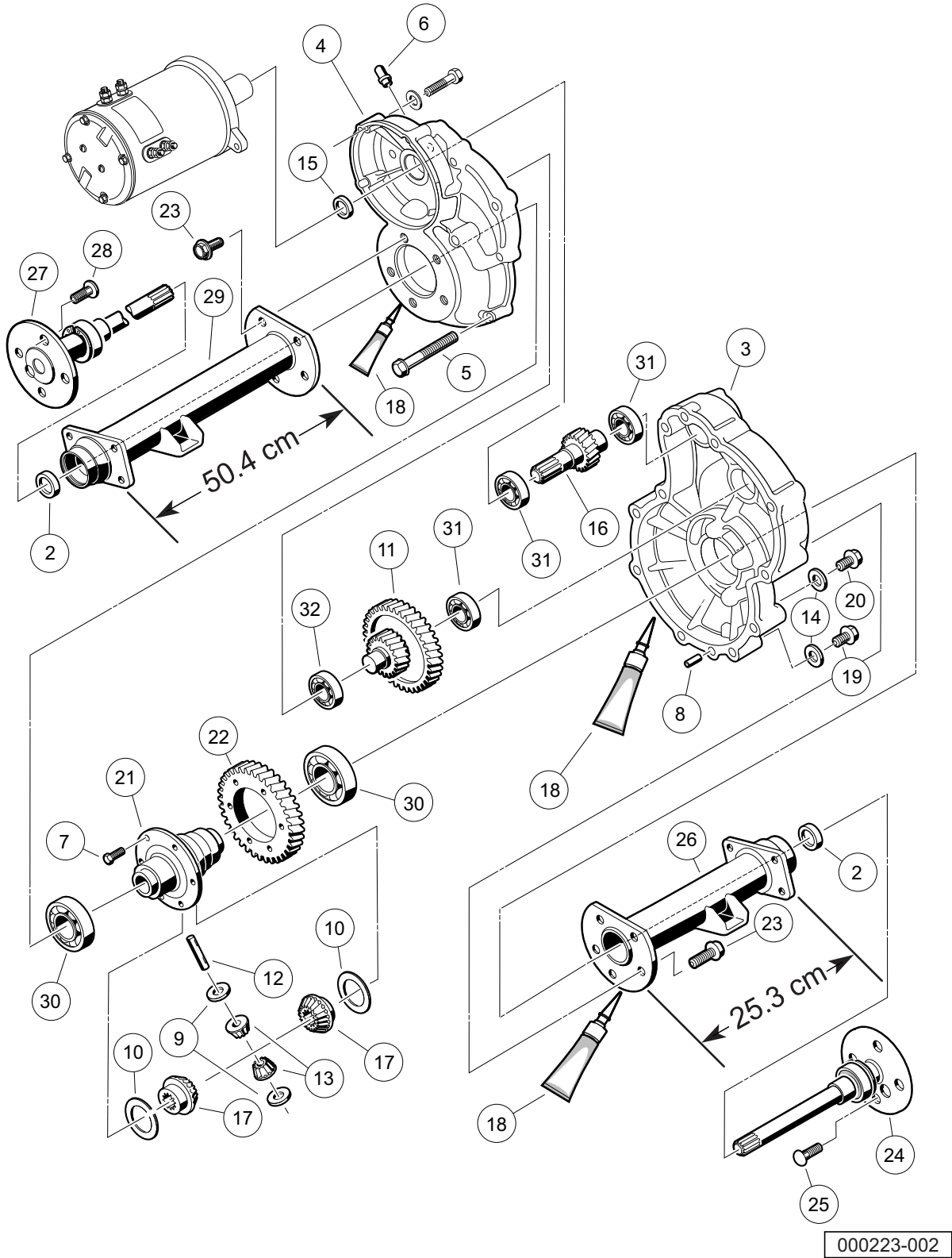
000223-001

TRANSAXLE – ELECTRIC VEHICLES

ITEM	PART NO.	DESCRIPTION	QTY
1	101896001	<p>1 2 3 4</p> <p>Transaxle -12.3</p> <p>Note: If either the Differential Output Gear (item 28) or the Differential Housing (item 27) require replacement, both must be purchased at the same time. Items 27 and 28 are replacements for all gear and differential housing combinations in this transaxle.</p>	1

16

E



000223-002

TRANSAXLE – ELECTRIC VEHICLES

ITEM	PART NO.	DESCRIPTION	QTY
		1 2 3 4	
1	102771701	Transaxle, Electric (includes items 2 through 32)	1
2	1013794	Axle Shaft Oil Seal	2
3	101895401	Gear Case, Left-Hand	1
4	101895501	Gear Case, Passenger-Side	1
5	101897001	Screw, M8-1.25 X 60mm Hex-Head	11
6	101897201	Breather	1
7	101897401	Screw, M10-1.25 X 25mm	6
8	101897601	Pin, 11mm OD X 8.5mm ID X 10mm	2
9	101903601	Washer, Thrust	2
10	101903701	Washer, Thrust	2
11	101906901	Intermediate Shaft Assembly	1
12	101922101	Pin, 15.99mm X 88.7mm Dowel	1
13	101923001	Gear, Differential Idler	2
14	101923201	Gasket	2
15	101923501	Seal, Lip	1
16	101923701	Shaft, Input	1
17	101923901	Gear, Differential	2
18	101928701	Liquid Gasket (Transaxle case)	1
19	101972101	Plug, M14-1.5 X 12mm Magnetic	1
20	101972201	Plug, M14-1.5 X 12mm Hex	1
21	102356601	Housing, Differential, 6 Bolt	1
22	102356801	Gear, Differential Output, 6-Bolt	1
23	102357001	Screw, Flg Hd M10 X 1.5 X 30	10
24	102886301	Axle Assembly, Driver-Side (includes item 25)	1
25	101922201	Lug Stud	4
26	102886401	Tube, Axle, Driver-Side	1
27	102886501	Axle Assembly, Passenger-Side (includes item 28)	1
28	101922201	Lug Stud	4
29	102886601	Tube, Axle, Passenger-Side	1
30	7330	Inner Axle Tube Bearing	2
31	7335	Bearing	3
32	7336	Bearing	1

16

E

16

E

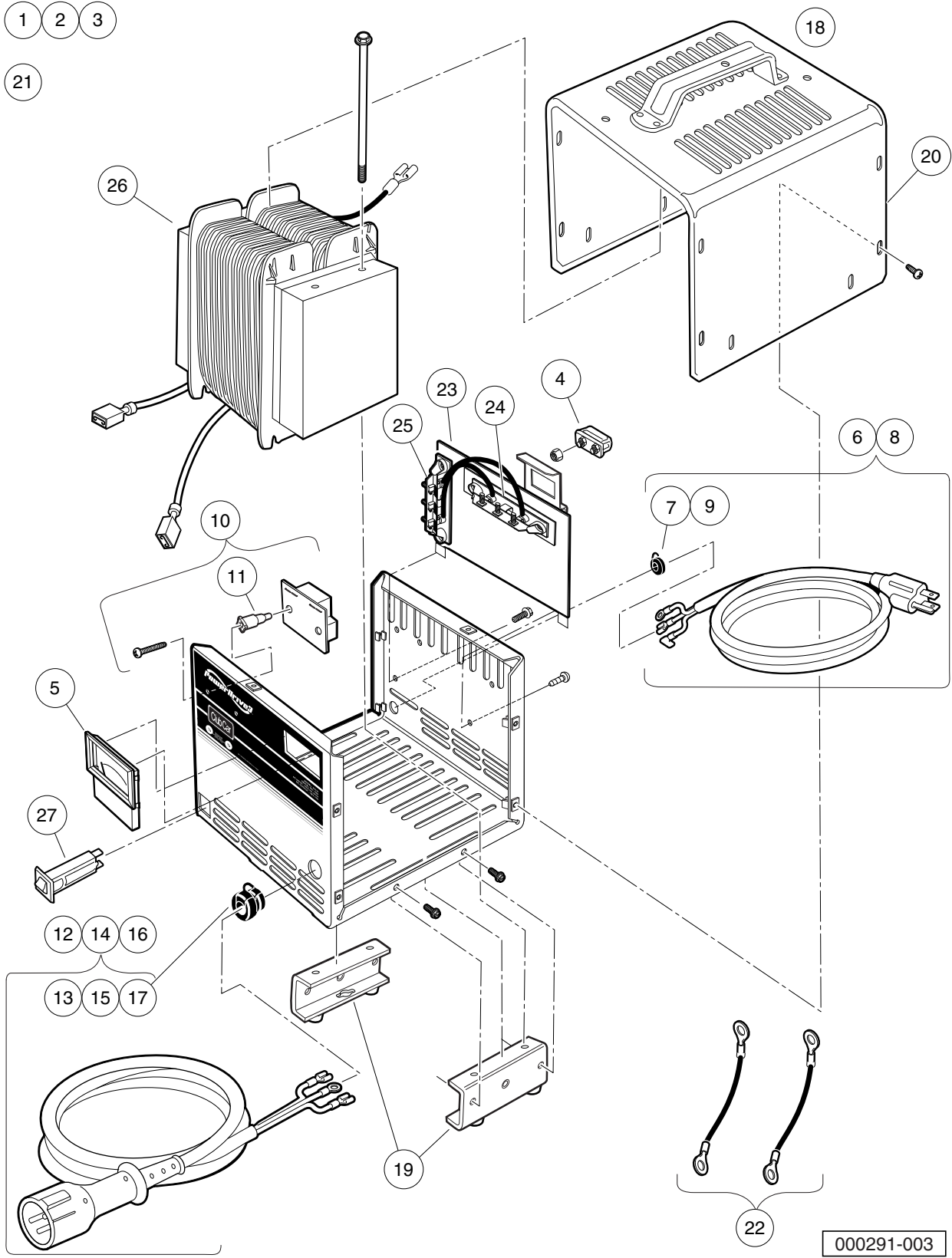
BATTERY CHARGER

17

E

1 2 3

21



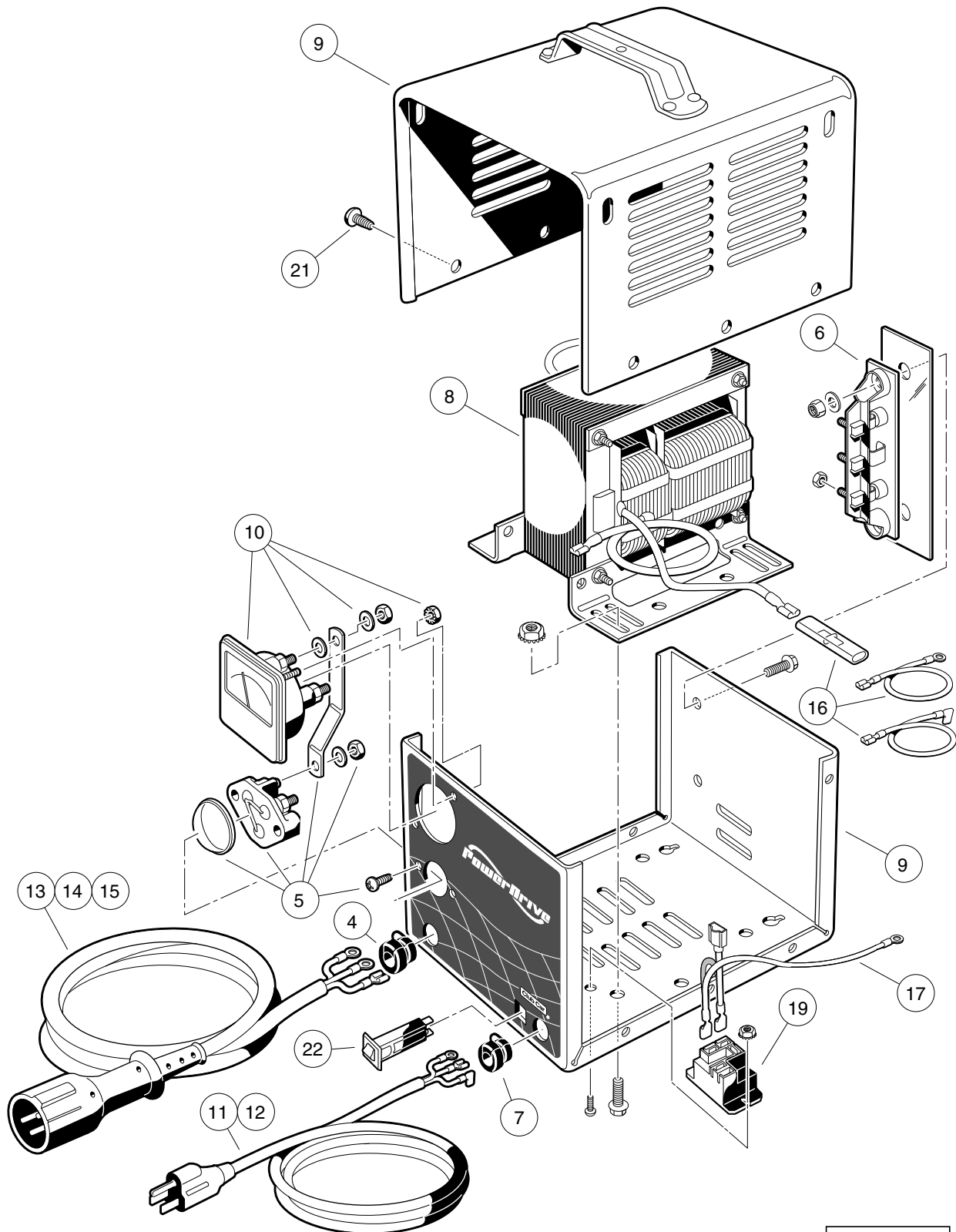
000291-003

POWERDRIVE 3 BATTERY CHARGER, DOMESTIC

ITEM	PART NO.	DESCRIPTION	QTY
		1 2 3 4	
1	103717001	Chgr, Pd3 Stnry, 9Dc6'Ac'	1
2	103717002	Chgr, Pd3 Stnry, 12Dc9'Ac'	1
3	103717003	Chgr, Pd3 Stnry, 20Dc9'Ac'(includes items 4 through 27)	1
4	102273701	PD2 Fuse Asm	1
5	102273801	PD2 Ammeter	1
6	103428501	Kit, PD3 Cordset - AC 80" (includes item 7)	1
7	102273901	PD2 AC Cord Bushing	1
8	103428601	Kit, PD3 Cordset, - AC 114" (includes item 9)	1
9	102273901	PD2 AC Cord Bushing	1
10	103428701	Asm, PD3 Board Relay (includes item 11)	1
11	103429701	PD3 Plastic Stand-Offs	2
12	103429001	PD3 Cordset - DC 113" (includes item 13)	1
13	1012098	Bushing, DC Cord	1
14	103429101	PD3 Cordset - DC 154" (includes item 15)	1
15	1012098	Bushing, DC Cord	1
16	103429201	PD3 Cordset - DC 205" (includes item 17)	1
17	1012098	Bushing, DC Cord	1
18	103429301	Asm, PD3 Case (includes items 19 and 20)	1
19	103434001	Asm, PD3 Legs	1
20	103439901	PD3Case Top (Includes Handle)	1
21	103429501	Kit, PD3 Hardware	1
22	103513001	Wire Asm Kit Blk Pd3	1
23	103517401	Kit Pd3 Button Diode (includes items 24 and 25)	1
24	103512801	Asm Diode Top	1
25	103512901	Asm Diode Side	1
26	103779601	Transformer, Pd3, Al	1
27	CCX8506	Circuit Breaker, 15-Amp/120-Volt	1

17

E



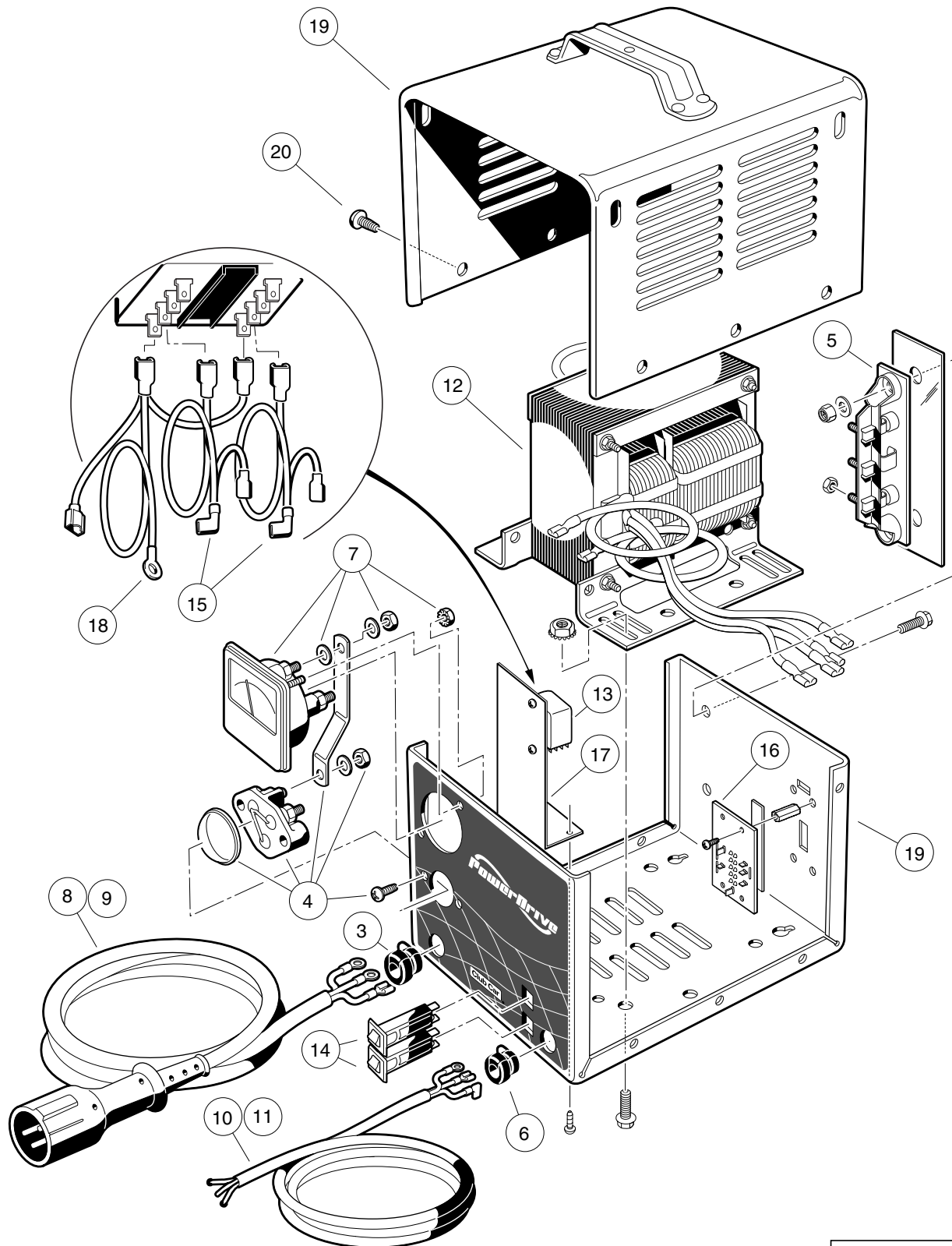
000351-001

POWERDRIVE BATTERY CHARGER (MODEL 17930), DOMESTIC

ITEM	PART NO.	DESCRIPTION	QTY
		1 2 3 4	
1	101802201	48V/17A PowerDrive (9-ft DC, 6-ft AC Cord)	1
2	101802202	48V/17A PowerDrive (12-ft DC, 9-ft AC Cord)	1
3	101802203	48V/17A PowerDrive (20-ft DC, 9-ft AC Cord) (includes items 4 through 22)	1
4	1012098	Bushing, DC Cord	1
5	1012101	Fuse Assembly	1
6	1015914	Rectifier with Heatsink Assembly	1
7	1015917	Bushing, AC Cord	1
8	****	Transformer, Battery Charger	1
9	101828301	Case Assembly	1
10	101828501	Ammeter	1
11	101828801	Cord, AC, 80-Inch (203 cm)	1
12	101828802	Cord, AC, 108-Inch (274 cm)	1
13	101828901	Cord, DC, 113-Inch (287 cm)	1
14	101828902	Cord, DC, 154-Inch (391 cm)	1
15	101828903	Cord, DC, 250-Inch (635 cm)	1
16	101831101	Wire Assembly Kit	1
17	101914401	Assembly, Voltage Suppressor	1
18	103414901	Kit, Relay, 48v 30a W/instr (includes items 19 and 20)	1
19	103397901	Relay, Spst No, 48v 30a, Pmt	1
20	N/A	Kit, Relay, 48v 30a Instrns	1
21	7577	Screw, #10 X 0.50 Phillips Pan-Head	10
22	CCX8506	Circuit Breaker, 15-Amp/120-Volt	1
		**** Special order item available upon request.	
		Note: Level 1 Battery Charger part numbers include one AC and one DC cord. They do not include all of the level 2 cords listed.	

17

E



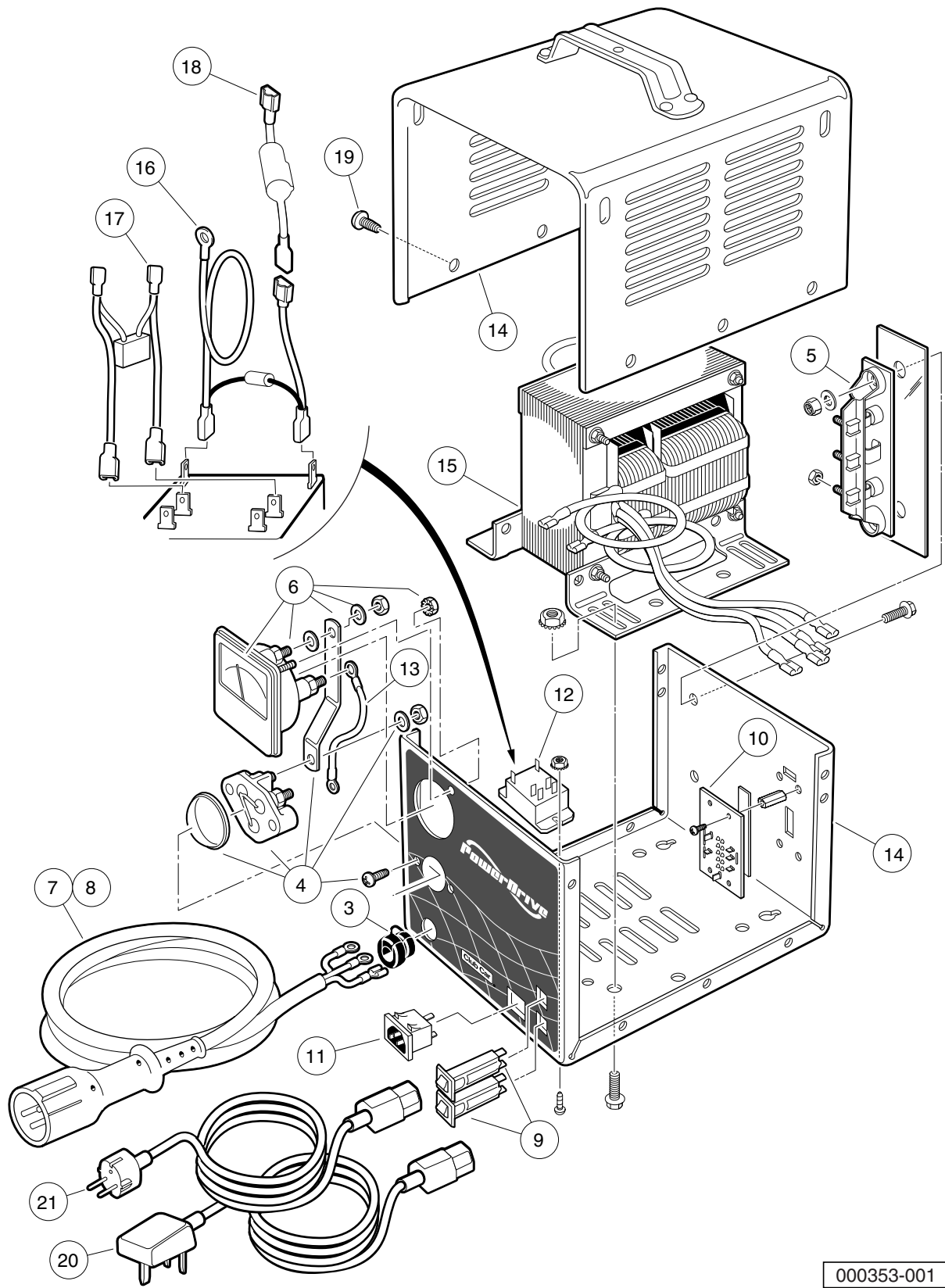
000352-001

POWERDRIVE BATTERY CHARGER (MODEL 18780), EXPORT

ITEM	PART NO.	DESCRIPTION	QTY
		1 2 3 4	
1	101831503	Battery Charger, 48-Volt DC (8.5-ft DC, 6-ft AC)	1
2	101831504	Battery Charger, 48-Volt DC (12-ft DC, 9-ft AC) (includes items 3 through 20)	1
3	1012098	Bushing, DC Cord	1
4	1012101	Fuse Assembly	1
5	1015914	Rectifier with Heatsink Assembly	1
6	1015917	Bushing, AC Cord	1
7	101828501	Ammeter	1
8	101828901	Cord, DC, 113-Inch (287 cm)	1
9	101828902	Cord, DC, 154-Inch (391 cm)	1
10	101831701	Cord, AC, 80-Inch (203 cm), without Plug	1
11	101831702	Cord, AC, 118-Inch (203 cm), without Plug	1
12	101838201	Transformer, Export Battery Charger	1
13	101838301	Relay, Export Charger	1
14	101838401	Circuit Breaker	2
15	101838501	Kit, Wire Assembly	1
16	101838601	Four-Position Switch	1
17	****	Mounting Bracket, Relay	1
18	101914401	Assembly, Voltage Suppressor	1
19	N/A	Case, Charger	1
20	7577	Screw, #10 X 0.50 Phillips Pan-Head	10
<p>**** Special order item available upon request.</p> <p>Note: Level 1 Battery Charger part numbers include one AC and one DC cord. They do not include all of the level 2 cords listed.</p>			

17

E



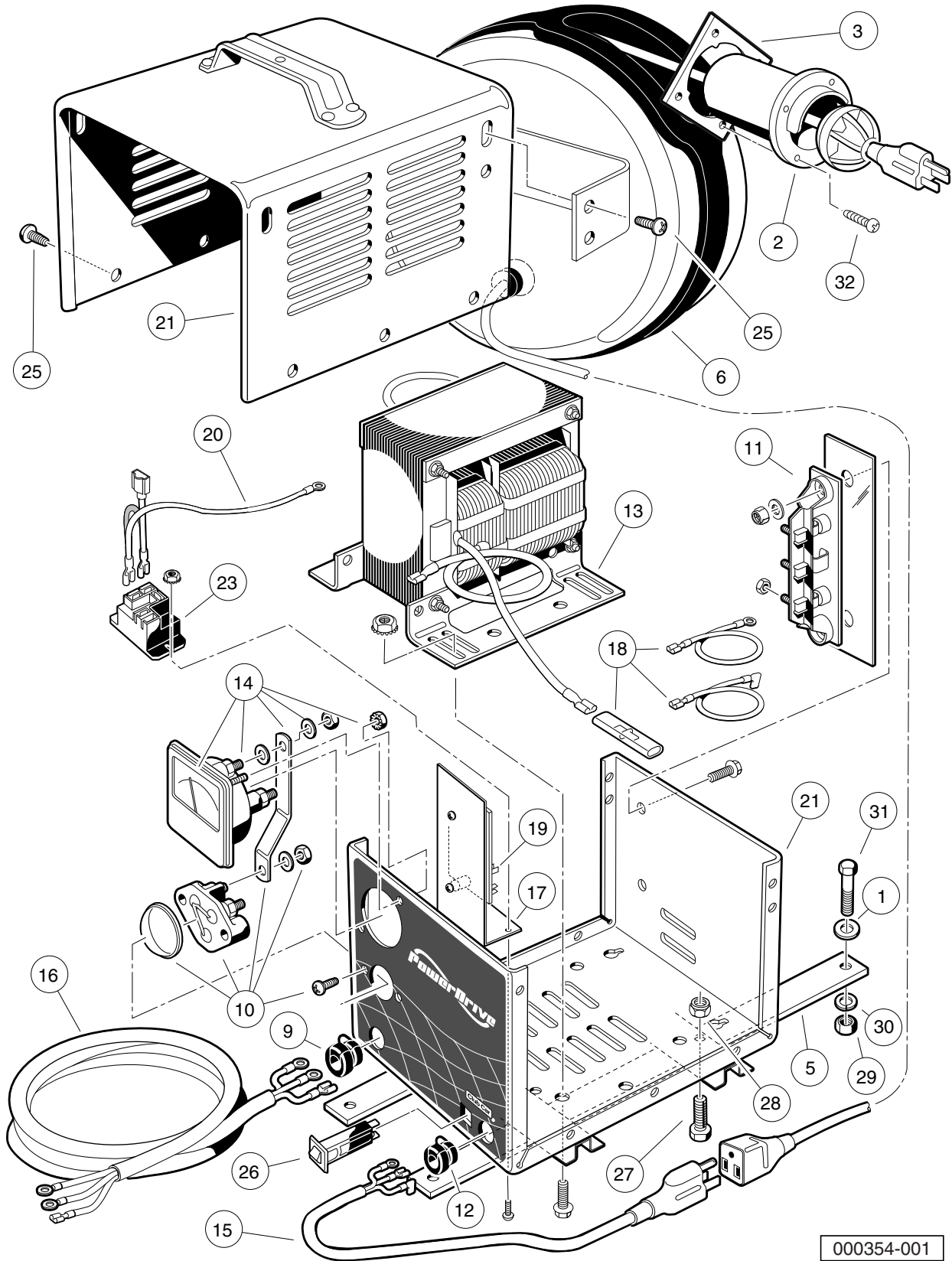
000353-001

POWERDRIVE BATTERY CHARGER (MODEL 20310), EUROPEAN

ITEM	PART NO.	DESCRIPTION	QTY
		1 2 3 4	
1	101956201	Battery Charger, 48-Volt w/ 4-Position Switch (8.5-ft DC)	1
2	101956202	Battery Charger, 48-Volt w/ 4-Pos. Switch (12-ft DC) (includes items 3 through 19)	1
3	1012098	Bushing, DC Cord	1
4	1012101	Fuse Assembly	1
5	1015914	Rectifier with Heatsink Assembly	1
6	101828501	Ammeter	1
7	101828901	Cord, DC, 113-Inch (287 cm)	1
8	101828902	Cord, DC, 154-Inch (391 cm)	1
9	101838401	Circuit Breaker	2
10	101838601	Four-Position Switch	1
11	101973501	Receptacle, AC Cord	1
12	101987501	Relay	1
13	N/A	Wire, Jumper	1
14	N/A	Case, Charger	1
15	****	Transformer, European Battery Charger	1
16	****	Suppressor, AC Voltage	1
17	****	Assembly, Wire	1
18	****	Limiter, Current	1
19	7577	Screw, #10 X 0.50 Phillips Pan-Head	10
20	101958201	Cord, UK, AC, Battery Charger	1
21	101958301	Cord, European AC, Battery Charger	1
		**** Special order item available upon request.	
		Note: Level 1 Battery Charger part numbers include one AC and one DC cord. They do not include all of the level 2 cords listed.	

17

E



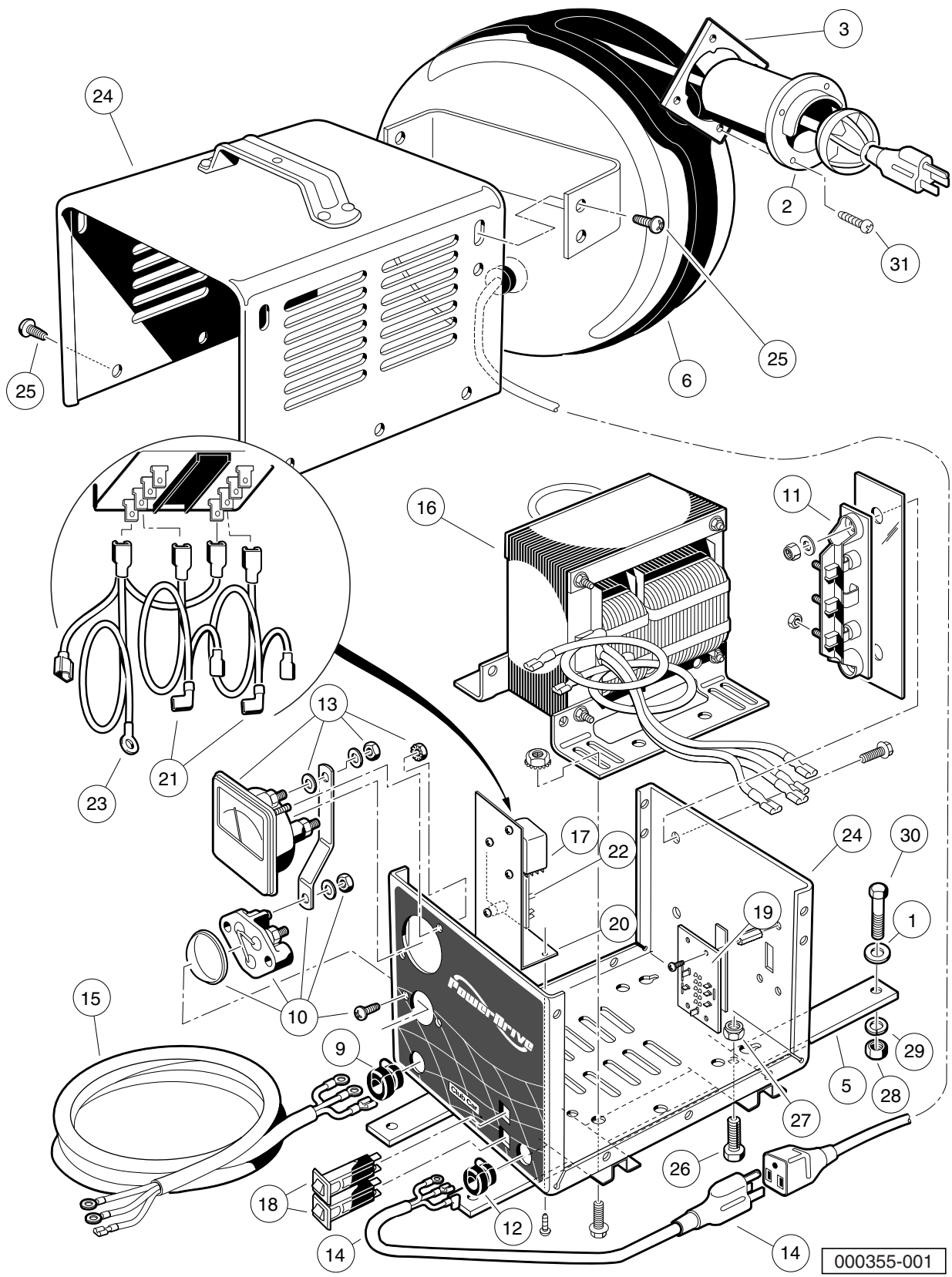
000354-001

ONBOARD POWERDRIVE BATTERY CHARGER (MODEL 17935), DOMESTIC

17

E

ITEM	PART NO.	DESCRIPTION	QTY
		1 2 3 4	
1	1014306	Washer, 1/4" Type B Flat	4
2	1016673	Housing, Cord Reel	1
3	101801001	Plate, Receptacle Backing	1
4	101814301	Battery Charger and Reel Assembly (includes items 5 through 28)	1
5	1011707	Bracket, Mounting, Battery Charger	2
6	1017187	Retractable Cord Reel	1
7	1017189	Heat Shrink Tube 1.5" X 3"	1
8	101802301	Battery Charger, Onboard, 120-VAC, 48-VDC (includes items 9 through 26)	1
9	1012098	Bushing, DC Cord	1
10	1012101	Fuse Assembly	1
11	1015914	Rectifier with Heatsink Assembly	1
12	1015917	Bushing, AC Cord	1
13	****	Transformer, Battery Charger	1
14	101828501	Ammeter	1
15	101829001	Cord, AC, 22-Inch (56 cm)	1
16	101829101	Cord, DC, 90.5-Inch (230 cm)	1
17	****	Mounting Bracket, Relay	1
18	N/A	Kit, Wire Assembly	1
19	101841901	Control Board	1
20	101914401	Assembly, Voltage Suppressor	1
21	N/A	Case, Charger	1
22	103414901	Kit, Relay, 48v 30a W/instr (includes items 23 and 24)	1
23	103397901	Relay, Spst No, 48v 30a, Pmt	1
24	N/A	Kit, Relay, 48v 30a Instrns	1
25	7577	Screw, #10 X 0.50 Phillips Pan-Head	12
26	CCX8506	Circuit Breaker, 15-Amp/120-Volt	1
27	7847	Screw, 1/4-20 X 0.75 Hex-Head Cap	4
28	8233	Locknut, 1/4-20 Nylon Insert	4
29	1028	Nut, 1/4-20 Hex	4
30	451	Lockwasher, 1/4 Split	4
31	7479	Screw, 1/4-20 X 1.25 Hex-Head Cap	4
32	8796	Screw, #7-19 X 0.75 Pan-Head Type AB	4
		**** Special order item available upon request.	
		Note: Item 7 not shown.	



000355-001

ONBOARD POWERDRIVE BATTERY CHARGER (MODEL 17790), EXPORT

ITEM	PART NO.	DESCRIPTION	QTY
		1 2 3 4	
1	1014306	Washer, 1/4" Type B Flat	4
2	1016673	Housing, Cord Reel	1
3	101801001	Plate, Receptacle Backing	1
4	101814302	Battery Charger and Reel Assembly (includes items 5 through 27)	1
5	1011707	Bracket, Mounting, Battery Charger	2
6	1017187	Retractable Cord Reel	1
7	1017189	Heat Shrink Tube 1.5" X 3"	1
8	101831601	Battery Charger, Onboard, 48-Volt DC (includes items 9 through 25)	1
9	1012098	Bushing, DC Cord	1
10	1012101	Fuse Assembly	1
11	1015914	Rectifier with Heatsink Assembly	1
12	1015917	Bushing, AC Cord	1
13	101828501	Ammeter	1
14	101829001	Cord, AC, 22-Inch (56 cm)	1
15	101829101	Cord, DC, 90.5-Inch (230 cm)	1
16	101838201	Transformer, Export Battery Charger	1
17	101838301	Relay, Export Charger	1
18	101838401	Circuit Breaker	2
19	101838601	Four-Position Switch	1
20	****	Mounting Bracket, Relay	1
21	****	Kit, Wire Assembly	1
22	101841901	Control Board	1
23	101914401	Assembly, Voltage Suppressor	1
24	N/A	Case, Charger	1
25	7577	Screw, #10 X 0.50 Phillips Pan-Head	12
26	7847	Screw, 1/4-20 X 0.75 Hex-Head Cap	4
27	8233	Locknut, 1/4-20 Nylon Insert	4
28	1028	Nut, 1/4-20 Hex	4
29	451	Lockwasher, 1/4 Split	4
30	7479	Screw, 1/4-20 X 1.25 Hex-Head Cap	4
31	8796	Screw, #7-19 X 0.75 Pan-Head Type AB	4
		**** Special order item available upon request.	
		Note: Item 7 not shown.	

17

E

17

E

MAINTENANCE AND SERVICE TOOLS

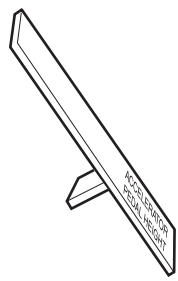
18

G

E

D

18
G
E
D



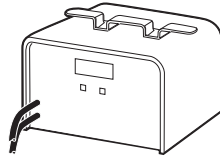
1



2



3



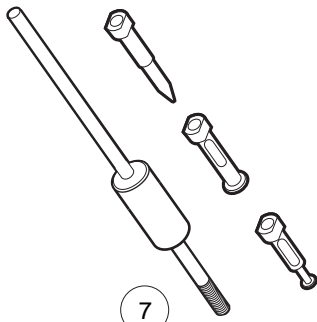
4



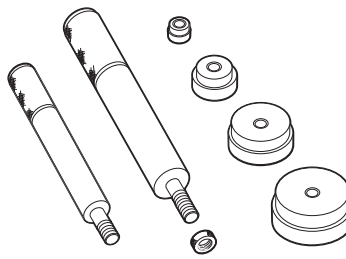
5



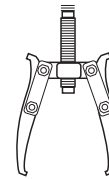
6



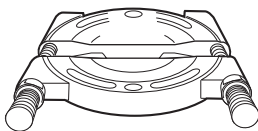
7



8



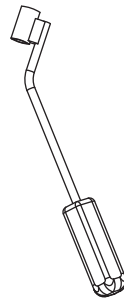
9



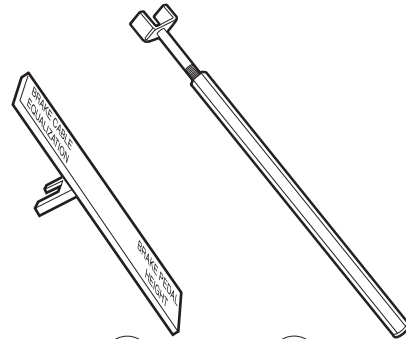
10



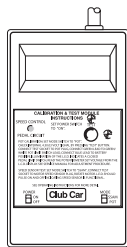
11



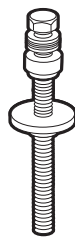
12



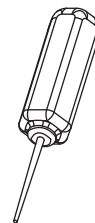
14 15
13



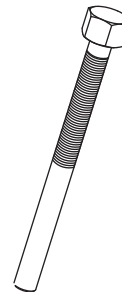
16



17



18



19

MAINTENANCE AND SERVICE TOOLS

ITEM	PART NO.	DESCRIPTION	QTY DIESEL	QTY GAS	QTY ELEC
		<p style="text-align: center;">1 2 3 4</p> <p>The following tool list includes all tools available from Club Car for maintenance and service procedures for gasoline, electric, and/or diesel vehicles, both past and present models. Be sure to carefully examine the tool list for applicability to your vehicle before ordering.</p>			
1	101871001	Accelerator Pedal Adjustment Tool		1	1
2	101813202	Adhesive, Guide Ring, 3-Gram Tube			1
3	101641202	Arbor		1	
4	101831901	Battery Discharge Machine, 36/48 Volt			1
5	1014305	Battery Terminal Protector Spray	1	1	1
6	1011767	Battery Thermometer	1	1	1
7	1016417	Bearing and Oil Seal Remover Assembly	1	1	1
8	1016416	Bearing Driver Set	1	1	1
9	1012811	Bearing Puller	1	1	1
10	1012812	Bearing Puller Wedge Attachment	1	1	1
11	1013582	Brake Adjustment Tool (used only on vehicles with manually adjusted mechanical brakes)		1	1
12	102555501	Brake Cable Release Tool	1	1	1
13	102249901	Brake Pedal Adjustment Tool Kit (used for the Carryall Electric Industrial Truck only) (includes items 14 and 15).....			1
14	****	Brake Pedal Adjustment Tool			1
15	****	Brake Pedal Tension Tool			1
16	101887101	Calibration Test Module			1
17	101808401	Cam Installation Tool		1	
18	102562401	Charger Bezel Tool			1
19	102686101	Clutch Removal Tool (for 4x4 vehicles)	1	1	
		<p>Please refer to the maintenance and service manual for proper tool application.</p> <p>**** Special order item available upon request</p>			

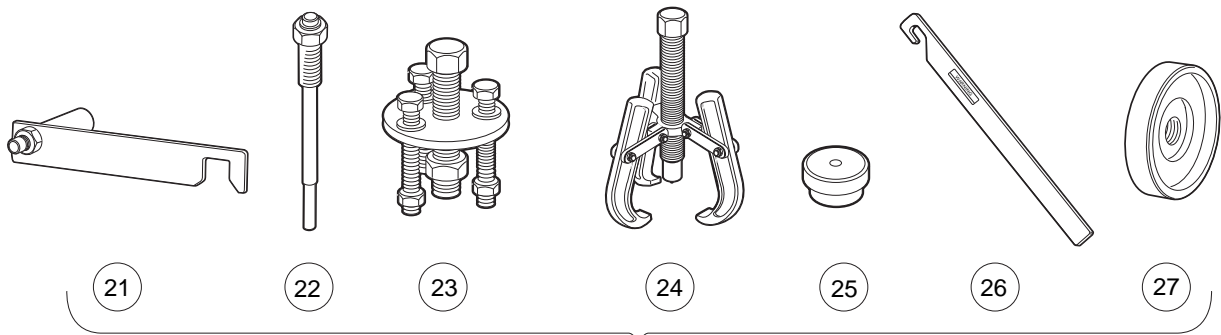
18

G

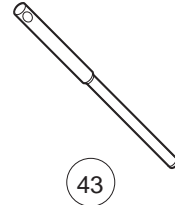
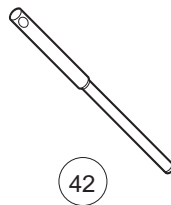
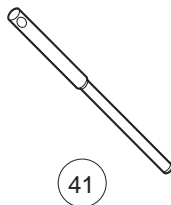
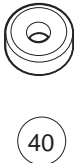
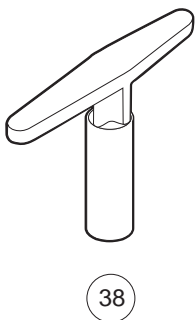
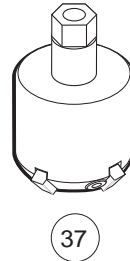
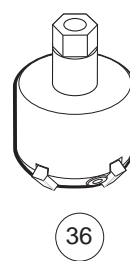
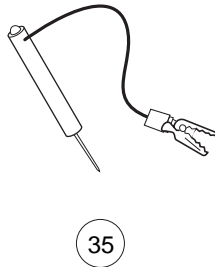
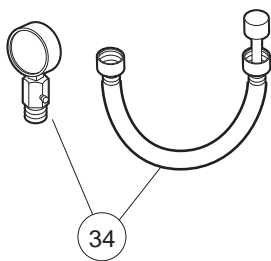
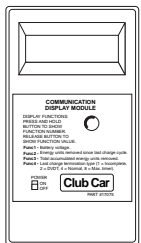
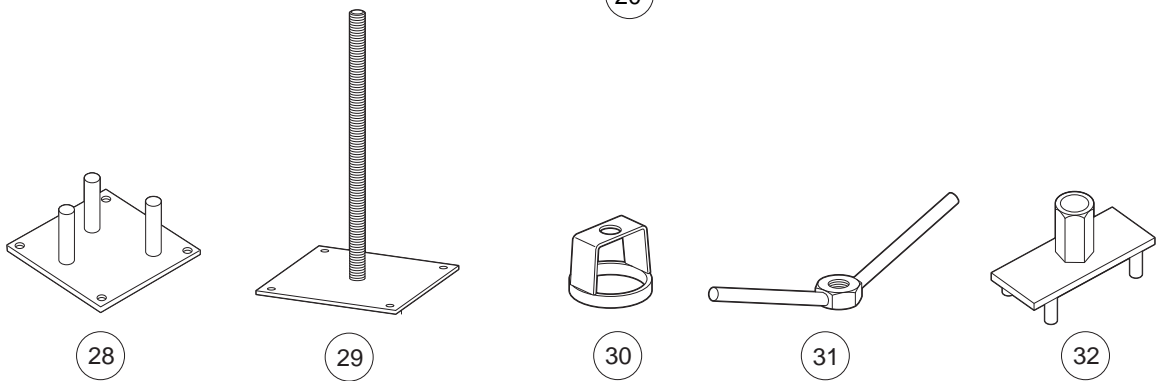
E

D

18
G
E
D



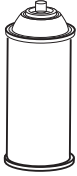
20



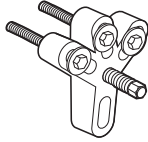
MAINTENANCE AND SERVICE TOOLS, CONTINUED

ITEM	PART NO.	DESCRIPTION	QTY DIESEL	QTY GAS	QTY ELEC	18
		1 2 3 4				G
20	1014510	Clutch Tool Kit (includes items 21 - 27)		1		E
21	1014498	Clutch Alignment Tool (for pre-unitized transaxle vehicles built prior to 1997 model year)		1		D
22	1014496	Drive Clutch Puller (for Kawasaki engines only)		1		
23	1014497	Drive Clutch Hub Puller (for Kawasaki engines only)		1		
24	1014508	Driven Clutch Cam Puller (for Kawasaki engines only)		1		
25	1014507	Driven Clutch Puller Plug (for Kawasaki engines only)		1		
26	1015524	Drive Clutch Holder Tool Assembly (for Kawasaki engines only)		1		
27	101809101	Press Weldment (for Kawasaki engines only)		1		
28	102601501	Drive ClutchFixed Sheave Tool (for 4x4 vehicles)	1	1		
29	102603501	Driven Clutch Spring Compression Base (for use with items 30 and 31) (for 4x4 vehicles)	1	1		
30	102605201	Driven Clutch Spring Compression Collar (for use with items 29 and 31) (for 4x4 vehicles)	1	1		
31	102606101	Driven Clutch Spring Compression Nut (for use with items 29 and 30) (for 4x4 vehicles)	1	1		
32	102607501	Drive Clutch Spider Removal Tool (for 4x4 vehicles)	1	1		
33	101831801	Communication Display Module			1	
34	101641002	Compression Gauge and Adapter		1		
35	1011273	Continuity Tester		1	1	
36	102773801	Cutter, Valve Seat, #122		1		
37	102773901	Cutter, Valve Seat #115		1		
38	102774101	Wrench, T, #505.....		1		
39	102774101	Adapter, T-Wrench.....		1		
40	102675401	Cutter, Valve Seat, 60 Degree (requires item 51) (for Honda GX620 Gasoline Engines)		1		
41	102774201	Pilot, 6.6 MM		1		
42	102774301	Pilot, 6.62 MM.....		1		
43	102774401	Pilot, 6.65 MM.....		1		
		Please refer to the maintenance and service manual for proper tool application.				

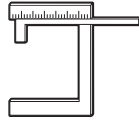
18
G
E
D



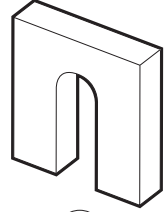
44



45



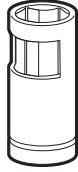
46



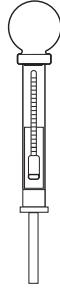
47



48



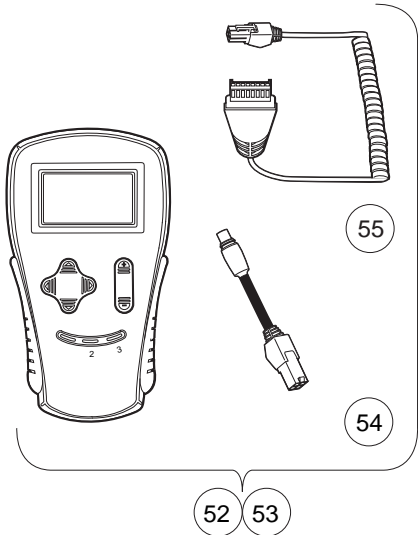
49



50



51

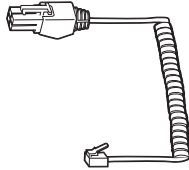


55

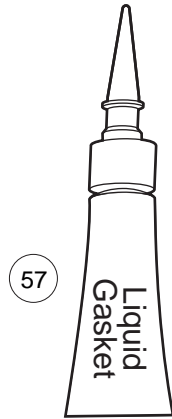
54

52

53



56



57



58



59

60



61

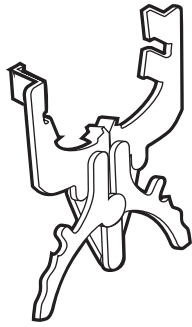
MAINTENANCE AND SERVICE TOOLS, CONTINUED

ITEM	PART NO.	DESCRIPTION	QTY DIESEL	QTY GAS	QTY ELEC	18
		1 2 3 4				G
44	1012151	Dry Moly Lubricant	1	1	1	E
45	1016627	Flywheel Puller Kit (for Kawasaki Engines)		1		D
46	102669901	Gauge, Carburetor Float Level (for Honda GX620 Gasoline Engines)		1		
47	1016418	Gear Yoke	1	1	1	
48	101933101	Governor Shaft Installation Tool (for Kawasaki Engine Vehicles)		1		
49	102169401	Hydraulic Brake Adjuster (for Turf/CA 272/472, Pioneer/XRT 1200, Bobcat 2100, HUV 4213)			1	
50	1011478	Hydrometer	1	1	1	
51	1013593	Internal Retaining Ring Pliers	1	1	1	
52	102248803	IQ Display Module (IQDM) Kit (IQ System and IQ Plus vehicles)			1	
		(includes items 54 and 55)				
53	102248804	IQ Display Module (IQDM-P) Kit (IQ System and IQ Plus vehicles)			1	
		(includes items 54 and 55)				
54	102251501	Adaptor, Cable			1	
55	102241502	IQDM Series 2 Cable			1	
56	102241501	IQDM Series 1 Cable (replacement)			1	
57	101928701	Liquid Gasket (transaxle case)	1	1	1	
58	102243402	Moly-Teflon Lubricant (4-oz. (113-gram) tube)			1	
59	101997201	Paint, Touch-Up – Beige*		1	1	
59	101997207	Paint, Touch-Up – Black*		1	1	
59	101997212	Paint, Touch-Up – Burgundy*		1	1	
59	101997211	Paint, Touch-Up – Classic Blue (Navy)*		1	1	
59	101997205	Paint, Touch-Up – Dark Gray*	1	1	1	
59	101997209	Paint, Touch-Up – Dark Green*	1	1	1	
59	101997204	Paint, Touch-Up – Gray*	1	1	1	
59	101997203	Paint, Touch-Up – Red*	1	1	1	
59	101997206	Paint, Touch-Up – Royal Blue (Pacific Blue)*		1	1	
59	101997202	Paint, Touch-Up – White*	1	1	1	
60	102562301	Paint, Precedent Underbody – Gray		1	1	
61	102587201	Paint Pen, Touch-Up, Precedent Underbody – Black		1	1	
		Please refer to the maintenance and service manual for proper tool application.				
		* Item 59 is not for use on Surlyn [®] body material, which is used on Precedent vehicles.				

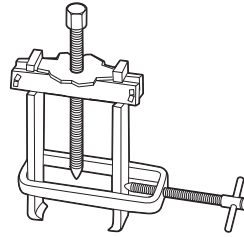
18
G
E
D



62



63



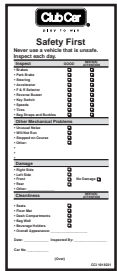
64



65



66



67



68



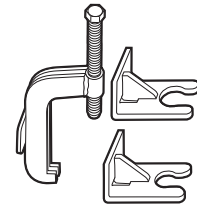
69



70



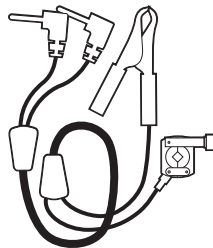
71



72



73



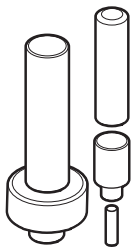
74



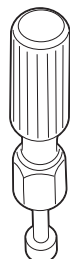
75



76



77



83



84



85



86

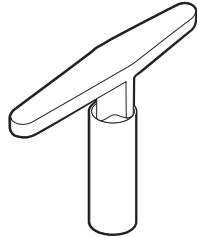
MAINTENANCE AND SERVICE TOOLS, CONTINUED

ITEM	PART NO.	DESCRIPTION	QTY	QTY	QTY	18
			DIESEL	GAS	ELEC	
		1 2 3 4				G
62	1016414	Piston Ring Compressor Kit (FE290, FE350 and FE400 engines)		1		E
63	1016415	Piston Ring Pliers (for Kawasaki Engines)		1		D
64	102668801	Puller, Special Use (for Kubota D722 Diesel Engines)	1			
65	1012549	Retaining Ring Pliers, 45° External	1	1	1	
66	1012560	Retaining Ring Pliers, 90° Internal	1	1	1	
67	101823101	Safety First Card (50 per pack)	1	1	1	
68	1012809	Seal Puller	1	1	1	
69	102330901	Spanner Wrench (for coil over shock front suspension vehicles only)	1	1		
70	1014264	Steering Column Bearing Press Tool		1	1	
71	1014259	Steering Column Retaining Ring Tool		1	1	
72	102061201	Steering Wheel Puller Tool	1	1	1	
73	AM10753	Tachometer (includes gasoline engine pick up lead only)	1	1		
74	AM10771	Tachometer Diesel Probe (for use with item 73)	1			
75	1014162	Transaxle Axle Seal Tool		1		
76	1014161	Transaxle Pinion Seal Tool		1		
77	1014115	Transmission Tool Kit		1		
78	101611003	Tune-Up Kit, All OHV (for FE290, FE350, FE400 only) (includes air filter, spark plug, oil filter, fuel filters) (not shown)		1		
79	AM11804	Tune-Up Kit, Gx620 (for Honda Engines) (includes air filter, spark plug, oil filter, fuel filters) (not shown)		1		
80	AM11805	Tune-Up Kit, D722 (for Kubota Engines) (includes air filter, oil filter, fuel filters, water separator filter) (not shown)	1			
81	AM1220301	Tune-Up Kit, Precedent (for FE290/350 Engines) (includes air filter, spark plug, oil filter, fuel filters) (not shown)		1		
82	AM1232401	Tune-Up Kit, FH680D (for Kawasaki V-Twin Engines) (includes oil filter, fuel filter, air filter, and spark plugs) (not shown)		1		
83	1016413	Valve Clearance Adjuster Screw Holder (for FE290 engines only)		1		
84	102674601	Valve Guide Driver (for Honda GX620 Gasoline Engines)		1		
85	101641201	Valve Guide Reamer (FE290, FE350, and FE400 only)		1		
86	102674401	Valve Guide Reamer, 6.6 mm (for Honda GX620 Gasoline Engines)		1		

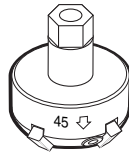
18
G
E
D



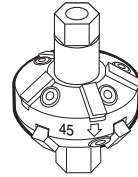
87



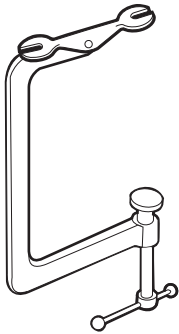
88



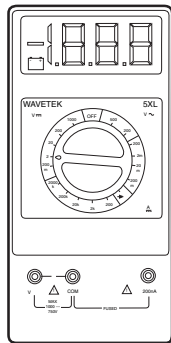
89



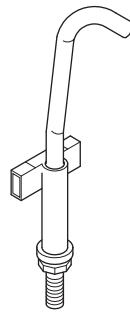
90



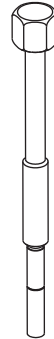
91



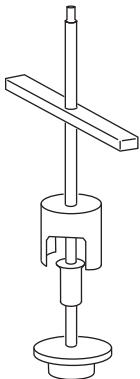
92



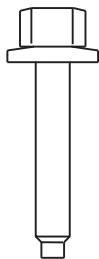
93



94



95



96

MAINTENANCE AND SERVICE TOOLS, CONTINUED

ITEM	PART NO.	DESCRIPTION	QTY DIESEL	QTY GAS	QTY ELEC
		1 2 3 4			
87	1016552	Valve Seat Cutter Guide		1	
88	1016551	Valve Seat Cutter T-Wrench		1	
89	1016553	Valve Seat Cutter, 45° (32 mm diameter) (for FE290 engines only)		1	
90	1016554	Valve Seat Cutter, 45°/30° (35 mm diameter)		1	
91	101641101	Valve Spring Compressor		1	
92	1011480	Volt Ohm Meter	1	1	1
93	102570401	Tool, Tensioning, Starter Generator (For Precedent vehicles)		1	
94	103601401	Puller, Drive Clutch, XRT 950*		1	
95	103601701	Tool, Disassembly, Driven Clutch, XRT 950		1	
96	103600501	Screw, Driven Clutch Disassembly, M6, XRT 950		1	
<p>*Note: The XRT 950 Drive Clutch Puller requires the use of Screw, Driven Clutch Disassembly, CCI Part Number 103600501.</p>					

18

G

E

D

INDEX

Part Number and Page

AM10753	18-9	7274	5-31, 5-33	6-43, 14-5, 14-23, 14-25, 14-33, 14-39, 14-45, 14-47, 14-49	
AM10771	18-9	7308	5-31, 5-33	1010005	5-31, 5-33
AM10080	13-5	7310	2-3, 2-5, 2-7, 2-9, 2-11	1010124	5-17, 5-21, 5-25, 5-29
AM10081	13-5	7311	5-47, 5-49	1010138	5-15, 5-19, 5-23, 5-27
AM10419	12-11, 12-13	7330	13-7, 16-5	1010142	5-35, 5-39, 5-41, 5-43, 5-45
AM10682	2-3	7335	13-5, 16-5	1010144	5-35, 5-39, 5-41, 5-43, 5-45
AM10724	7-5, 8-5, 9-5	7336	16-5	1010145	5-35, 5-39, 5-41, 5-43, 5-45
AM10808	1-9	7473	1-3, 1-5, 1-7, 1-9, 1-19, 1-21, 1-31, 1-35, 1-39, 1-49, 4-7, 4-9, 4-13, 4-17, 4-19, 4-21, 4-23, 4-25, 4-27, 5-13, 6-31, 6-33, 6-35, 6-37, 6-39, 6-47, 6-49, 6-55, 14-27	1010150	5-17, 5-21, 5-25, 5-29
CCX8506	17-3, 17-5, 17-11	7479	17-11, 17-13	1010177	5-17, 5-21, 5-25
183	6-27, 6-35, 6-37, 6-43, 10-21, 10-23, 10-25, 12-3, 12-5, 13-3, 14-37	7532	1-19, 1-21	1010219	5-19, 5-23
304	1-47, 6-27, 14-21	7539	5-19, 5-23	1010342	5-31
320	4-15, 13-15	7540	5-11, 5-19, 5-23	1010347	5-31
332	1-15, 1-23, 1-25, 1-27, 1-31, 1-33, 1-35, 1-41, 1-45, 1-47, 1-49, 6-27, 10-19, 11-3, 11-5, 13-11, 14-21, 14-33	7555	5-11, 5-19, 5-23, 5-37	1010348	5-31
334	1-25, 4-25, 4-27, 5-3, 5-5, 5-11, 5-37, 7-15, 8-15, 9-15, 9-17	7569	5-45	1010434	1-7, 1-9, 1-17, 1-27, 1-33
357	1-43, 5-17, 5-21, 5-25, 5-29, 5-47, 5-49	7577	17-5, 17-7, 17-9, 17-11, 17-13	1010435	1-3, 1-5, 1-7, 1-9, 1-19, 1-21, 1-39
403	1-19, 1-21, 1-37	7591	6-27, 14-21	1010543	1-15
451	1-27, 1-33, 4-5, 4-11, 11-3, 11-5, 14-31, 15-3, 15-5, 15-7, 15-9, 15-11, 17-11, 17-13	7602	5-11, 5-19, 5-23	1010546	1-3, 1-7
705	1-41, 1-43, 6-53, 7-15, 8-15, 9-15, 9-17	7716	4-7, 4-9, 4-25, 4-27	1010577	7-15, 8-15, 9-15, 9-17
706	1-43, 5-17, 5-21, 5-25, 5-29	7818	6-31, 6-33, 6-35, 6-37, 6-39	1010805	4-7, 4-9
808	1-25, 5-47, 5-49, 12-3, 12-5, 13-15	7820	6-27, 14-21	1010829	4-13, 4-17, 4-19, 4-21, 4-23
1016	6-27, 6-35, 6-37, 6-43, 14-37	7840	5-31, 5-33	1010850	4-5, 4-11
1017	6-29, 6-35, 6-37, 14-15, 14-37	7847	1-13, 1-25, 1-45, 1-49, 11-3, 11-5, 17-11, 17-13	1010877	4-7, 4-9
1028	1-27, 1-33, 4-7, 4-9, 14-31, 17-11, 17-13	7893	6-27, 6-31, 6-33, 6-35, 6-37, 6-39, 6-43, 13-11, 13-13, 13-15, 13-17	1010878	1-23, 1-41, 4-7, 4-9
1032	1-27, 1-33, 4-7, 4-9	7910	5-31, 5-33	101090801	14-41, 14-43, 14-55
1035	1-25, 4-17, 4-21, 5-11, 5-19, 5-23	7973	1-11, 10-21, 10-23, 10-25, 13-17	101090802	14-41, 14-55
1218	5-13, 14-37, 14-47, 14-49	8049	14-31	1010909	6-27, 6-43
1231	1-27, 1-33	8056	6-27, 6-41, 6-45, 6-57, 14-21, 14-23, 14-57	1010921	4-7, 4-9
1241	1-3, 1-5, 1-7, 1-9, 1-29, 1-39, 1-43, 4-7, 4-9, 4-17, 4-19, 4-21, 4-23, 4-25, 4-27, 5-13, 6-31, 6-33, 6-35, 6-37, 6-39, 6-47, 6-49, 6-53, 6-55, 11-3, 11-5, 14-27, 14-37, 14-47, 14-49, 15-3, 15-5, 15-7	8057	6-27, 6-31, 6-33, 6-35, 6-37, 6-39, 6-41, 6-45, 6-57, 13-9, 14-21, 14-23, 14-31, 14-57	1010927	4-7, 4-9
1242	1-29, 1-43, 4-13, 4-17, 4-19, 4-21, 4-23, 5-47, 5-49, 6-31, 6-33, 6-35, 6-37, 6-39, 6-53, 14-37, 14-45, 14-47, 14-49	8058	6-27, 6-31, 6-33, 6-35, 6-37, 6-39, 6-41, 6-45, 6-57, 13-9, 14-21, 14-23, 14-31, 14-57	1010932	4-7, 4-9
1308	5-19, 5-23	8067	5-31, 5-33	1010933	4-7, 4-9
1606	10-21, 10-23	8233	1-23, 1-25, 1-31, 1-35, 1-37, 1-41, 1-45, 1-47, 1-49, 4-25, 4-27, 5-47, 5-49, 6-27, 13-3, 13-9, 13-11, 14-21, 14-31, 14-33, 17-11, 17-13	1010934	1-9, 1-31, 1-35, 1-39, 1-43, 6-55, 15-3, 15-5, 15-7, 15-9
1620	1-11	8248	10-3, 10-5, 13-9, 14-33	1010953	4-3, 4-5, 4-11
1624	4-25, 4-27, 5-11, 5-37	8251	1-17, 13-11	1010954	6-31, 6-33, 6-35, 6-37, 6-39, 13-3, 13-9
1631	10-23, 10-25	8450	6-35, 6-37, 12-3, 12-5, 14-31	1010984	2-3, 2-5, 2-7, 2-9, 2-11
2402	5-15, 5-19, 5-23, 5-27, 5-29	8455	13-17	1011014	1-3, 1-5, 1-7, 1-9
4029	6-27, 14-21	8639	6-27, 10-25, 14-21, 14-45	1011017	1-3, 1-5, 1-7, 1-9
4034	6-43, 6-47, 6-49, 14-25, 14-27	8717	4-25, 4-27, 6-31, 6-33, 6-35, 6-37, 6-39, 13-3, 13-9	1011019	1-11
7048	5-31, 5-33	8754	1-19, 1-21, 1-41, 4-15, 4-25, 4-27, 5-3, 5-5, 5-11, 5-15, 5-17, 5-19, 5-21, 5-23, 5-25, 5-27, 5-29, 5-35, 5-37, 5-39, 5-41, 5-43, 5-45, 6-53, 13-15	1011084	4-29, 4-31, 4-33
7049	1-31, 1-35	8755	1-19, 1-21, 1-41, 5-17, 5-21, 5-25, 5-29, 5-35, 5-39, 5-41, 5-43, 5-45	1011114	4-5, 4-11
7173	5-47, 5-49, 6-47, 6-49, 6-55, 14-27, 14-37, 14-47, 14-49	8796	17-11, 17-13	1011137	4-11
7174	1-29, 1-43, 5-3, 5-5, 5-47, 5-49, 6-53, 10-17, 11-3, 11-5, 14-37, 14-45, 14-47, 14-49, 15-3, 15-5, 15-7, 15-9	8797	10-7	1011153	5-31, 5-33
7251	1-3, 1-5, 1-7, 1-9	8861	5-15, 5-19, 5-23, 5-47, 5-49	1011154	4-5, 4-11
7270	5-29	8935	1-9	1011229	6-27, 6-41, 6-45, 6-57, 14-21, 14-23, 14-57
		8990	5-11, 5-37, 6-31, 6-33, 6-35, 6-37, 6-39,	1011273	18-5
				1011280	6-47, 6-49, 14-27, 15-3, 15-5, 15-7
				1011285	15-3, 15-5, 15-7
				1011290	15-3, 15-5, 15-7
				1011291	13-7
				1011298	4-5, 4-11
				1011301	4-5, 4-11
				1011303	4-5, 4-11
				1011314	4-5, 4-11
				1011382	1-11

INDEX

1011393	5-31, 5-33	1012466	5-3, 5-5	1013494	1-11
1011394	1-3, 1-5, 1-7, 1-9	1012467	5-11	1013531	4-17, 4-19, 4-21, 4-23
1011402	4-7, 4-9	1012505	6-41, 6-45, 6-47, 6-49, 14-23, 14-27	1013547	14-51
1011411	15-3, 15-5, 15-7	1012528	11-3, 11-5, 14-37, 14-45, 14-47, 14-49	1013582	18-3
1011415	5-35, 5-39, 5-41, 5-43, 5-45	1012549	18-9	1013587	13-9
1011418	4-7, 4-9	1012560	18-9	1013589	6-31, 6-33, 6-35, 6-37, 6-39, 13-9
1011439	6-47, 6-49, 14-27	1012565	5-7	1013590	13-9
101146302	4-5, 4-11	1012566	5-7	1013591	13-9
1011464	4-5, 4-11	1012571	7-15, 8-15, 9-15, 9-17	1013593	18-7
1011465	4-5, 4-11	1012594	13-9	1013609	6-31, 6-33, 6-35, 6-37, 6-39
1011466	4-5, 4-11	1012604	5-3, 5-5	1013677	3-5, 3-7, 3-13, 3-21
1011467	4-5, 4-11	1012605	5-3, 5-5	1013683	14-43
1011478	18-7	1012649	10-3, 10-5	1013687	10-3, 10-5
1011480	18-11	1012711	13-3	1013700	10-17
1011494	4-5, 4-11	1012714	13-5	1013734	11-3, 11-5, 14-37, 14-45, 14-47, 14-49
1011553	1-43, 3-5, 3-7, 3-9, 3-13, 3-15, 3-19, 3-33	1012740	13-5	1013746	10-3, 10-5, 10-7, 10-13, 10-15
1011557	6-47, 6-49, 14-27	1012741	13-5	1013760	13-3
1011578	1-9, 14-41, 14-43, 14-55	1012747	13-5	1013768	13-7
1011582	6-57, 14-55	1012748	13-5	1013769	13-7
1011694	4-25, 4-27	1012752	13-3	1013770	13-7
1011697	1-49, 5-3, 5-5, 8-15, 9-15, 9-17, 10-13, 10-17	1012809	18-9	1013771	13-7
1011700	4-25, 4-27	1012811	18-3	1013772	13-7
1011707	17-11, 17-13	1012812	18-3	1013773	13-7
1011734	4-29, 4-31, 4-33	1012830	6-53, 10-17, 11-3, 11-5	1013774	13-7
1011767	18-3	1012836	12-11, 12-13	1013787	13-7
1011779	4-13, 4-17, 4-19, 4-21, 4-23	1012896	13-3	1013792	13-7
1011825	6-27, 14-21	1012986	6-41, 6-45, 6-47, 6-49	1013794	13-7, 16-5
101187702	4-7, 4-9	1012987	13-9, 14-31	1013857	6-43, 6-47, 6-49, 14-25, 14-27
1011887	5-31, 5-33	1012991	6-51	1013858	6-43, 6-47, 6-49, 14-25, 14-27
1011889	5-31, 5-33	1013001	6-51	1013869	4-7, 4-9
1011892	5-31	1013003	6-51	1013870	4-7, 4-9
1011893	5-19, 5-23	1013005	6-51	1013871	4-25, 4-27
1011895	5-11, 5-19, 5-23	101301102	6-51	1013872	1-41
1011930	5-11, 5-19, 5-23	1013035	5-11, 5-37	1013876	4-7, 4-9
1011931	4-25, 4-27	1013042	5-11, 5-15, 5-27, 5-37	1013924	4-3, 4-5, 4-11, 7-15, 8-15, 9-15, 9-17
1011988	10-3, 10-5	1013044	5-11, 5-37	1014007	4-25, 4-27, 13-3
1011990	1-27, 1-33, 1-43	1013051	5-11, 5-37	1014049	12-3, 12-5
1012098	17-3, 17-5, 17-7, 17-9, 17-11, 17-13	1013052	5-11, 5-37	1014050	12-3, 12-5
1012101	17-5, 17-7, 17-9, 17-11, 17-13	1013061	13-3, 14-35	1014051	12-3
1012151	18-7	1013135	5-31	1014052	12-3, 12-5
1012180	5-41, 5-43, 5-45	1013164	5-35, 5-39	1014055	12-3, 12-5
1012181	5-35, 5-39, 5-45	1013207	5-35, 5-41, 5-43, 5-45	1014056	12-3, 12-5
1012182	5-35, 5-39, 5-45	1013280	1-37	1014057	12-3, 12-5
1012285	1-37, 1-45, 1-47, 1-49, 10-3, 10-5, 10-17, 13-3, 13-11, 13-13, 13-15, 13-17, 14-33, 14-37, 14-39, 14-45, 14-47, 14-49, 14-51	1013309	1-15	1014058	12-3, 12-5
1012295	6-31, 6-33, 6-35, 6-37, 6-39	1013311	1-15	1014059	12-3, 12-5
1012303	1-19, 1-21, 1-41, 5-17, 5-21, 5-25, 5-29, 5-35, 5-39, 5-41, 5-43, 5-45	1013312	1-15	1014062	12-3, 12-5
1012304	5-35, 5-39, 5-41	1013317	1-27, 1-33, 3-35, 3-39, 3-41	1014063	12-3, 12-5
1012333	13-11, 13-13, 13-15, 13-17	1013343	1-11	1014065	6-31, 6-33, 6-35, 6-37, 6-39, 12-3, 12-5, 13-9
1012382	6-5, 6-9, 6-13, 6-17, 6-21	1013344	1-11	1014070	12-11, 12-13
1012431	6-27, 6-31, 6-33, 6-35, 6-37, 6-39, 6-41, 6-45, 6-57, 13-9, 14-21, 14-23, 14-57	1013357	6-27, 14-21, 14-39	1014072	12-11, 12-13
1012438	10-23, 10-25, 14-37	1013413	1-41	1014076	12-11, 12-13
		1013420	1-13	1014078	12-11, 12-13
		1013422	1-13	1014080	12-11, 12-13
		1013461	6-29, 10-7, 14-15	1014089	13-9
		1013462	10-7	1014115	18-9
		1013483	1-43		

INDEX

1014116	10-3, 10-5	1014808	6-31, 6-33, 6-39, 14-31	1015583	1-19, 1-21, 1-41, 5-17, 5-21, 5-25, 5-29, 5-35, 5-39, 5-41, 5-43, 5-45
1014119	6-5, 6-9, 6-13, 6-17, 6-21, 6-31, 6-33, 6-35, 6-37, 6-39	1014871	14-31	1015597	5-11, 5-19, 5-23, 5-31, 5-33
1014125	5-3, 5-5	1014901	5-35, 5-39	1015606	1-27
1014126	5-3, 5-5	1014902	5-35, 5-39	1015607	1-33
1014145	6-31, 6-33, 6-35, 6-37, 6-39, 13-9	1014928	10-3, 10-5	1015608	1-9
1014153	4-3, 4-5, 4-11	1014947	14-37, 14-45, 14-47, 14-49	1015613	5-47, 5-49
1014161	18-9	1014948	6-31, 6-33, 6-35, 6-37, 6-39, 14-37, 14-45, 14-47, 14-49	1015614	5-47, 5-49
1014162	18-9	101503202	1-9, 1-11	101562711	1-15
1014193	13-7	1015064	13-9, 14-31	101562712	1-15
1014201	15-3, 15-5, 15-7, 15-9, 15-11	1015072	14-41, 14-43, 14-55	101562714	1-15
1014207	13-7	1015075	1-3, 1-5, 1-7, 1-9	101562715	1-15
1014211	5-3, 5-5	1015137	10-3, 10-5, 10-7, 10-13, 10-15	101564501	1-15
1014212	5-3, 5-5	1015139	10-7, 10-25	101564502	1-15
1014213	5-3, 5-5	1015143	10-7	101564503	1-15
1014214	5-3, 5-5	101524002	6-53	101564505	1-15
1014216	5-3, 5-5	1015245	1-27, 1-33	1015649	7-3, 8-3, 9-3
1014217	5-3, 5-5	1015252	1-19, 1-21	101567202	2-3
1014259	18-9	1015258	1-21	1015700	1-25
1014264	18-9	1015277	1-23	101570506	2-7
1014276	5-17, 5-21, 5-25, 5-29	1015313	1-27, 1-33	101570507	2-7
1014287	12-3, 12-5	1015330	7-9, 11-3	101570514	2-7
1014288	5-3, 5-5, 6-55, 12-3, 12-5, 14-45, 14-47	1015332	6-5, 6-9, 6-13, 6-17, 6-21, 7-3, 8-3, 9-3	1015707	2-7
1014289	6-51	1015345	6-31, 6-33, 6-35, 6-37, 6-39	1015720	6-27, 6-41, 6-45, 6-57, 14-21, 14-23, 14-57
1014304	14-41, 14-43, 14-55	1015348	1-25	1015727	1-41
1014305	18-3	1015363	1-27, 1-33	1015737	6-5, 6-9, 6-13, 6-17, 6-31, 6-33, 6-35, 6-37, 6-39
1014306	1-45, 1-47, 1-49, 17-11, 17-13	1015365	1-27	1015741	6-31, 6-33, 6-35, 6-37, 6-39, 14-37
1014321	1-17, 1-31, 1-35	1015366	1-33	1015752	6-31, 6-33, 6-35, 6-37, 6-39, 6-57, 10-19, 14-29, 14-55
1014375	6-55	1015367	1-27	1015760	5-47, 5-49
1014387	1-17, 1-31, 1-35	1015368	1-33	1015769	6-5, 6-9, 6-13, 6-17, 6-21, 6-39
1014415	1-31, 1-35	1015371	6-31, 6-33, 6-39	1015814	11-3, 11-5
1014453	12-3, 12-5	1015372	6-31, 6-33, 6-35, 6-37, 6-39	101584502	10-17
1014454	12-11, 12-13	1015373	6-31, 6-33, 6-35, 6-37, 6-39	1015878	6-31, 6-33, 6-35, 6-37, 6-39
1014471	1-19, 1-21, 1-39	1015390	1-27, 1-33	1015914	17-5, 17-7, 17-9, 17-11, 17-13
1014496	18-5	101539802	13-17	1015917	17-5, 17-7, 17-11, 17-13
1014497	18-5	1015399	1-19, 1-21, 1-31, 1-35, 1-39	1015920	6-5, 6-21
1014498	18-5	1015400	1-19, 1-21, 1-27, 1-33	1015921	10-7
1014507	18-5	1015405	1-3, 1-7, 6-31, 6-33, 6-35, 6-37, 6-39	1015932	6-53
1014508	18-5	1015409	13-13, 13-15	1015969	7-3, 8-3, 9-3
1014510	18-5	1015412	1-33	1016004	10-7
1014513	1-29	1015413	1-27	1016011	12-5
1014514	1-29	1015414	1-27	1016060	1-23
1014523	10-5	1015424	1-33	1016074	6-53
1014524	10-3, 10-5	1015426	10-19	1016077	1-39
1014530	6-27, 14-21	1015427	1-19	1016078	1-23
1014537	1-29, 1-31, 1-35	101542901	1-21	101609401	3-3, 3-11, 3-17, 3-21, 3-25, 3-31
1014540	14-51, 14-53	1015445	1-43	1016103	10-13
101454602	5-39	1015453	5-47, 5-49	101611003	18-9
101454902	5-35	1015457	5-47, 5-49	1016154	5-7
1014555	5-35, 5-39, 5-41, 5-43, 5-45	101547601	3-9, 3-15, 3-19, 3-25, 3-33	101615504	5-9
1014573	5-35, 5-39	1015507	1-19, 1-21, 1-41	1016156	5-7, 5-9
1014645	1-11	1015524	18-5	1016181	5-3, 5-5
1014675	5-35, 5-39	1015530	1-45, 1-47, 1-49	1016183	5-3, 5-5
1014727	13-9	101553901	1-27, 1-33, 3-3, 3-11, 3-17, 3-21, 3-25, 3-31		
1014771	2-3, 2-5, 2-7	1015545	5-3, 5-5		
1014807	6-31, 6-33, 6-35, 6-37, 6-39, 13-9				

INDEX

1016201	12-3, 12-5, 13-9	1016443	7-3	101651407	2-3, 2-5, 2-7
1016203	12-7	1016444	10-13, 10-15	101651409	2-3, 2-5
1016219	5-7	1016445	7-5, 8-5, 9-5	101651412	2-3
1016263	5-3, 5-5	1016446	7-9, 7-11	101651413	2-3
1016269	5-3, 5-5	1016447	7-9	101651414	2-5, 2-7
1016289	12-3, 12-5	1016448	7-9	1016516	7-13
1016319	4-13	1016449	7-9, 8-9, 9-9	1016517	7-9, 8-9, 9-9
1016320	4-13	1016450	7-9, 8-9, 9-9	1016518	8-9, 9-9
1016337	13-5	1016451	7-9	1016519	7-9, 8-9, 9-9
1016338	13-5	1016452	7-9, 8-9, 9-9	1016520	7-11
1016341	13-3	1016453	7-11	1016521	7-11, 8-11, 9-11
1016342	13-9	1016454	7-11, 8-11, 9-11	1016523	7-9
1016346	5-15, 5-19, 5-23, 5-27	1016455	7-5, 8-5, 9-5	1016524	7-3
1016349	5-15, 5-19, 5-23, 5-27	1016456	7-3, 7-5, 7-11, 8-3, 8-5, 9-3, 9-5	1016525	7-3
1016350	5-15, 5-19, 5-23, 5-27	1016457	7-7, 8-7, 9-7	1016526	7-3
1016351	5-15, 5-19, 5-23, 5-27	1016458	7-9, 7-11, 8-9, 9-9	1016531	7-3, 8-3, 9-3
1016353	5-15, 5-19, 5-23, 5-27	101645901	7-13	1016532	7-13
1016356	6-27, 14-21, 14-39	101645902	7-13	1016533	7-13
1016363	14-37	101645903	7-13	1016535	7-11, 8-11, 9-11
1016366	14-37	1016460	7-13	1016536	7-3
1016379	1-49	101646101	7-13	1016537	7-7, 8-7, 9-7
1016380	6-9, 6-13, 6-17	101646102	7-13	1016538	7-11, 8-11, 9-11
1016384	5-17, 5-21, 5-25, 5-29	101646103	7-13	1016539	7-3, 8-3, 9-3
1016385	5-15, 5-19, 5-23, 5-27	1016467	7-7, 8-7, 9-7	1016541	7-13, 8-13, 9-13
1016386	5-17, 5-21, 5-25, 5-29	1016469	7-13	1016542	7-9
1016387	5-15, 5-17, 5-21, 5-25, 5-29	1016470	7-13, 8-13, 9-13	1016544	7-5, 7-9, 7-11, 8-5, 8-9, 8-11, 9-5, 9-9, 9-11
1016389	5-17, 5-21, 5-25, 5-29	1016471	7-9	1016545	7-9
1016401	6-31, 6-33, 6-39	1016472	7-11, 8-11, 9-11	1016546	10-17
101641002	18-5	1016473	7-7, 8-7, 9-7	1016547	7-3, 7-13, 8-3, 8-13, 9-3, 9-13, 10-13, 10-15
101641101	18-11	1016474	7-9, 8-9, 9-9	1016548	7-5
101641201	18-9	101647501	7-13	1016549	7-9, 8-9, 9-9
101641202	18-3	101647502	7-13	101655001	7-13
1016413	18-9	1016479	7-9, 8-9, 9-9	101655002	7-13
1016414	18-9	1016480	10-13, 10-15	101655003	7-13
1016415	18-9	101648102	10-13, 10-15	101655004	7-13
1016416	18-3	101648203	7-7, 8-7, 9-7	101655005	7-13
1016417	18-3	1016483	7-9, 8-9, 9-9	101655006	7-13
1016418	18-7	1016484	7-7	101655007	7-13
1016423	6-31, 6-33, 6-35, 6-37, 6-39, 14-37	1016486	10-9, 10-11	101655008	7-13
101642572	10-9	1016489	7-9, 8-9, 9-9	101655009	7-13
101642575	10-9, 10-11	101649002	10-13, 10-15	1016551	18-11
101642578	10-9, 10-11	1016493	7-5	1016552	18-11
101642580	10-9, 10-11	1016494	7-11, 8-11, 9-11	1016553	18-11
101642582	10-9, 10-11	1016496	7-11, 8-11, 9-11	1016554	18-11
101642585	10-11	1016497	7-5, 8-5, 9-5	1016557	4-5, 4-11
1016429	7-7, 8-7, 9-7	1016499	10-9, 10-11	1016558	7-13
1016430	7-9	1016501	10-9, 10-11	1016559	7-13
1016431	7-9	1016502	7-7, 8-7, 9-7	1016560	7-9, 8-9, 9-9
1016432	7-7, 8-7, 9-7, 13-3	1016505	7-5	1016561	7-5, 8-5, 9-5
1016435	7-7	1016506	7-11, 8-11, 9-11	1016562	7-5, 7-13, 8-5, 8-13, 9-5, 9-13
1016436	7-9, 8-9, 9-9	1016507	7-3, 8-3, 9-3	1016563	7-9, 8-9, 9-9
1016437	10-9, 10-11	1016509	7-13	1016564	7-11, 8-11, 9-11
1016438	10-13, 10-15	1016510	7-11, 8-11, 9-11	1016565	7-11
1016439	10-13	1016513	13-3	1016566	7-9, 8-9, 9-9
1016440	7-9, 8-9, 9-9, 10-13, 10-15	101651402	2-3		
1016441	10-13, 10-15	101651406	2-3, 2-5, 2-7		

INDEX

1016567	7-11	1016868	1-3, 1-5, 1-7, 1-9	1017079	1-49
1016568	7-13	1016874	1-49	1017080	1-3, 1-5, 1-7, 1-9
1016569	7-9, 8-9, 9-9	1016875	1-49	1017082	13-3
1016570	7-7, 8-7, 9-7	1016876	1-49	1017187	17-11, 17-13
1016571	7-13, 8-13, 9-13	1016878	1-39	1017188	12-9
1016572	10-13, 10-15	1016879	6-29, 14-15	1017189	17-11, 17-13
1016573	4-5, 4-11	1016880	6-29, 14-15	1017211	4-13
1016576	7-7, 8-7, 9-7	1016881	1-39	1017221	7-3
1016578	7-5, 8-5, 9-5	1016883	6-53	1017226	5-3, 5-5
1016579	7-5, 8-5, 9-5	101689101	1-39	1017231	13-3
1016580	7-13	1016901	12-5	1017235	5-35, 5-39
1016581	7-7, 8-7, 9-7	1016904	8-9, 9-9, 11-5	1017239	6-35, 6-37
1016582	10-13, 10-15	1016909	1-37	1017243	6-35, 6-37
1016583	7-9, 8-9, 9-9	101691401	1-37, 1-39	1017266	5-15, 5-19, 5-23, 5-27
1016584	7-11, 8-11, 9-11	1016918	1-37	1017273	5-7, 5-9
1016585	10-9, 10-11	1016920	1-37	101734802	1-3, 1-7
1016586	7-5, 8-5, 9-5	101692501	1-3, 1-5, 1-7	101737002	2-3, 2-5, 2-7
1016587	7-5, 8-5, 9-5	101692502	1-3, 1-5, 1-7	1017378	4-25, 4-27
1016588	7-5, 8-5, 9-5	101692504	1-5	1017380	4-25, 4-27
101660404	1-11	101692506	1-3, 1-5, 1-7	101738301	12-5
1016622	5-3, 5-5	101692509	1-3, 1-5, 1-7	101738302	12-5
1016627	18-7	101692510	1-3, 1-5, 1-7	1017424	4-25, 4-27
1016630	6-41, 6-45, 6-47, 6-49	101692511	1-3, 1-5, 1-7	1017434	8-9, 9-9
1016631	14-37	101692512	1-3, 1-5, 1-7	1017435	8-9, 9-9
1016663	5-7, 5-9	101692513	1-3, 1-5, 1-7	1017442	8-7, 9-7
1016672	13-7	101692514	1-3, 1-5, 1-7	1017443	8-9, 8-11, 9-9, 9-11
1016673	17-11, 17-13	101692515	1-3, 1-5, 1-7	1017444	8-9, 9-9
1016679	1-45, 1-49	101693201	3-17, 3-27	1017445	8-9, 9-9
101670201	3-35, 3-37, 3-39, 3-41	101693901	1-3, 1-5, 1-7, 1-9	1017446	8-9, 9-9
1016717	6-57, 14-55	101693902	1-3, 1-5, 1-7, 1-9	1017447	8-11, 9-11
1016718	1-37	101693904	1-5	1017448	7-5, 8-5, 9-5
1016723	1-17	101693906	1-3, 1-5, 1-7, 1-9	101744901	8-13, 9-13
101672701	13-17	101693908	1-5, 1-9	101744902	8-13, 9-13
1016729	14-13, 14-19	101693909	1-3, 1-5, 1-7, 1-9	1017450	8-13, 9-13
1016732	14-13, 14-19	101693910	1-3, 1-5, 1-7, 1-9	101745101	8-13, 9-13
101674702	4-33	101693911	1-3, 1-5, 1-7, 1-9	101745102	8-13, 9-13
1016751	1-17	101693912	1-3, 1-5, 1-7, 1-9	1017453	8-13, 9-13
101675512	1-17	101693913	1-3, 1-5, 1-7, 1-9	1017454	8-9, 9-9
101675514	1-17	101693914	1-3, 1-5, 1-7, 1-9	1017455	7-5, 8-5, 9-5
101675515	1-17	1016942	1-39	1017456	7-7, 8-7, 9-7
101677701	1-17	1016943	1-39	101745701	8-13, 9-13
101677702	1-17	1016944	1-39	101745702	8-13, 9-13
101677705	1-17	1016947	13-9	1017458	8-7, 9-7
1016801	12-3, 12-5	1016948	1-39	1017460	8-7, 9-7
1016813	5-47, 5-49	1016952	1-13	1017461	10-9, 10-11
1016814	5-47	1016954	1-37	1017463	8-5, 9-5
1016845	14-31	1016955	1-37	1017466	10-13, 10-15
1016849	6-27, 6-41, 6-45, 6-57, 14-21, 14-23, 14-57	1016967	1-3, 1-5, 1-7, 1-9	1017468	7-5, 8-5, 9-5
1016851	6-27, 6-41, 6-45, 6-57, 14-21, 14-23, 14-57	1016997	6-35, 6-37	1017471	8-13, 9-13
1016857	6-27, 6-41, 6-45, 6-57, 14-21, 14-23, 14-57	1017006	6-35, 6-37	1017472	8-11, 9-11
1016858	6-13, 6-43, 14-25	1017029	4-7, 4-9	1017473	8-9, 9-9
1016859	6-27, 6-41, 6-45, 6-57, 14-21, 14-23, 14-57	1017062	6-29, 14-15	1017474	8-3, 9-3
		1017064	6-29, 14-15	1017475	8-3, 9-3
		1017065	6-29, 14-15	1017476	8-3, 9-3
		1017077	1-39	1017486	8-3, 9-3
		101707801	3-23, 3-27, 3-29	1017487	8-11, 9-11

INDEX

1017490	8-5, 9-5	101802101	14-35	101830601	6-41, 6-45, 6-47, 6-49, 14-23, 14-27
1017500	8-3, 9-3	101802201	17-5	101830701	6-41, 6-45, 6-47, 6-49, 14-23, 14-27
1017501	8-13, 9-13	101802202	17-5	101831101	17-5
1017502	8-13, 9-13	101802203	17-5	101831503	17-7
1017503	8-13, 9-13	101802301	17-11	101831504	17-7
1017504	8-11, 9-11	101802401	14-39	101831601	17-13
1017507	7-7, 8-7, 9-7	101804301	10-19, 10-23, 10-25	101831701	17-7
1017508	8-11, 9-11	101805701	10-21	101831702	17-7
1017510	8-13, 9-13	101808401	18-3	101831801	18-5
1017511	8-11	101809101	18-5	101831901	18-3
1017512	8-13, 9-13	101810501	14-39	101832001	14-35
1017513	8-11, 9-11	101811301	10-25	101832101	7-15
1017514	8-11, 9-11	101811401	10-21	101832202	10-17
101751801	8-11, 9-11	101811501	10-21	101832302	10-17
101751802	8-11, 9-11	101811801	10-19	101832601	8-15, 9-15, 9-17
101751803	8-11, 9-11	101811901	10-19	101832701	7-15, 8-15, 9-15, 9-17
101753005	14-31	101812301	10-19	101833101	8-15, 9-15, 9-17
1017653	6-51	101813001	10-19	101833201	7-15
1017686	12-11, 12-13	101813202	18-3	101833401	12-11, 12-13
1017689	11-3, 11-5	101814301	17-11	101833601	13-3
1017696	4-25, 4-27	101814302	17-13	101833701	6-51
1017705	14-35	101814701	14-27	101833902	12-3
1017721	6-27, 6-43	101815501	4-3	101833904	12-5
101773301	8-13, 9-13	101815502	4-3	101834001	12-11
101773302	8-13, 9-13	101816401	4-3	101834003	12-13
101773303	8-13, 9-13	101816501	4-3	101834502	6-41, 6-45, 6-47, 6-49, 14-23, 14-27
101773304	8-13, 9-13	101816502	4-3	101834601	7-15, 8-15, 9-15, 9-17
101773305	8-13, 9-13	101817401	4-25, 4-27	101834801	13-3
101773306	8-13, 9-13	101818801	4-25	101835601	1-17, 1-19, 1-21, 1-23, 14-39
101773307	8-13, 9-13	101820201	10-13	101836201	12-11
101773308	8-13, 9-13	101821501	10-19	101836202	12-13
101773309	8-13, 9-13	101822001	4-31	101837101	10-19
101773310	8-13, 9-13	101823101	18-9	101837301	6-5, 6-9, 6-13, 6-17, 6-21, 6-53
101773311	8-13, 9-13	101823201	4-3	101838201	17-7, 17-13
1017799	14-31	101823801	4-3	101838301	17-7, 17-13
1017853	6-27, 14-21	101824401	10-3, 10-5, 10-7	101838401	17-7, 17-9, 17-13
101791101	4-3, 4-5	101825101	3-3, 3-11, 3-23, 3-29, 3-31	101838501	17-7
1017944	15-3, 15-5, 15-7	101825102	3-17, 3-27	101838601	17-7, 17-9, 17-13
1017947	15-3, 15-5, 15-7	101825701	10-25	101840203	14-37, 14-47, 14-49
1017948	15-3, 15-5	101826201	14-23, 14-27	101841901	17-11, 17-13
1017949	15-3, 15-5, 15-7	101826301	6-41, 6-49	101850301	10-21
1017950	15-3, 15-5, 15-7	101826401	6-45, 6-47	101851101	6-41, 6-45, 6-47, 6-49, 14-23, 14-27
1017951	15-3	101826801	14-5, 14-39, 14-45, 14-47, 14-49	101855002	14-33
1017953	15-3, 15-5, 15-7	101827101	7-15, 8-15, 9-15, 9-17	101855801	13-11
101795701	14-5, 14-9, 14-13, 14-19, 14-41, 14-43, 14-55	101827701	6-35	101856002	14-33
1017958	15-3	101827801	14-5, 14-45, 14-47	101856102	6-31, 6-33, 6-35, 6-37, 6-39
1017961	15-3	101827802	14-39, 14-49	101856201	10-21
101796201	4-25, 4-27	101828301	17-5	101859301	11-3
101796501	14-35	101828501	17-5, 17-7, 17-9, 17-11, 17-13	101859401	11-5
101796801	14-35	101828801	17-5	101861901	4-25, 4-27
1017976	1-19, 1-21	101828802	17-5	101862001	4-27
101797701	14-41, 14-43, 14-55	101828901	17-5, 17-7, 17-9	101865106	14-5, 14-13
101797702	14-41, 14-43, 14-55	101828902	17-5, 17-7, 17-9	101865301	4-13
101797801	14-41, 14-43, 14-55	101828903	17-5	101869302	6-51
101801001	14-35, 17-11, 17-13	101829001	17-11, 17-13	101870401	1-7
		101829101	17-11, 17-13	101870501	5-17, 5-21, 5-25

INDEX

101870601	5-23	101891501	13-7	101909201	7-5, 8-5, 9-5
101871001	18-3	101891601	13-5	101909301	7-5, 8-5, 9-5
101874601	4-13	101891901	13-5	101909401	7-5, 8-5, 9-5
101874901	6-51	101892001	13-5	101909501	7-5, 8-5, 9-5
101875001	6-51	101892201	13-5	101909701	7-3
101875101	6-51	101892301	13-5	101909901	14-47
101875102	6-51	101892401	13-5	101909903	14-39
101875201	6-51	101892501	13-5	101909905	14-49
101875301	6-51	101892601	13-5	101910401	14-45, 14-47
101875401	6-51	101892701	13-7	101910501	13-7
101875501	6-51	101892901	13-3	101911101	14-5
101875601	6-51	101893201	13-5	101911701	14-37, 14-49
101875701	6-51	101893801	13-3	101912401	4-29
101875802	6-51	101893901	13-5	101914401	6-27, 14-21, 17-5, 17-7, 17-11, 17-13
101876001	6-51	101894302	1-35	101915201	3-9, 3-15, 3-19, 3-25, 3-33
101876202	6-51	101894303	1-15	101915401	7-11
101876301	6-51	101894702	1-35	101915501	7-13
101876402	6-51	101895401	16-5	101915601	7-3
101876501	6-51	101895501	16-5	101915801	7-5
101877601	6-51	101896001	16-3	101916001	8-13, 9-13
101877701	6-51	101896501	6-51	101916101	8-3, 9-3
101878101	6-51	101896901	10-7	101916201	8-5, 9-5
101878201	4-7, 4-9	101897001	16-5	101916301	8-5, 9-5
101878302	5-11	101897201	16-5	101916701	6-53, 12-3, 12-5
101879001	6-51	101897401	16-5	101917601	10-19
101879401	5-11, 5-37	101897601	16-5	101917701	10-21
101879501	5-11, 5-37	101898001	6-55	101918301	14-37, 14-49
101879601	5-11, 5-37	101900801	4-17, 5-39	101918401	2-3, 2-5
101879701	5-11, 5-37	101900901	6-41, 6-45	101918402	2-5, 2-7
101879801	5-11, 5-37	101901201	14-5	101918501	4-7, 4-9
101879901	5-11, 5-37	101901301	14-5	101919801	4-25, 4-27
101880001	5-11, 5-37	101901401	14-5	101920101	14-29, 14-33, 14-39, 14-47, 14-49, 15-5, 15-7, 15-9, 15-11
101880101	5-11, 5-37	101901501	14-5	101921501	10-19
101880201	5-11, 5-37	101902801	14-5	101921901	3-37
101880301	5-11, 5-37	101902901	14-5	101922101	16-5
101880701	4-5, 4-11	101903001	14-5, 14-9	101922201	16-5
101881101	7-5, 8-5, 9-5	101903601	16-5	101922301	7-13
101881701	10-19	101903701	16-5	101922501	14-33
101883002	14-13	101904401	14-13	101922801	1-25
101884801	7-15, 8-15, 9-15, 9-17	101904402	14-19	10192281	1-25
101884901	2-3, 2-5	101904501	14-13	101923001	16-5
101886101	13-3	101904502	14-19	101923201	16-5
101887101	18-3	101904601	14-13	101923501	16-5
101887601	7-3, 8-3, 9-3, 10-13	101904602	14-19	101923701	16-5
101888501	1-17	101904701	14-13	101923901	16-5
101888502	1-17	101904702	14-19	101924301	14-37, 14-49
101889401	13-5	101905601	10-9	101925601	12-3
101890001	13-5	101905901	10-11	101925701	10-19
101890101	13-3	101906901	16-5	101926501	5-41, 5-43
101890201	13-3	101908101	14-33	101926801	10-23
101890501	13-3	101908401	14-33	101926802	10-25
101890601	13-3	101908601	3-7	101926901	13-3
101890901	13-7	101908701	14-37, 14-45, 14-47, 14-49	101927101	13-3
101891001	13-7	101908801	14-13	101927201	13-3
101891301	13-3	101908901	14-13		
101891401	13-7	101908902	14-19		

INDEX

101927301	13-3	101962601	14-39	102004101	5-5
101927501	13-5	101963301	1-17	102004201	5-43
101927601	13-5	101963401	1-17, 1-31, 1-35, 7-15, 8-15, 9-15, 9-17	102004301	1-9
101927701	13-5	101963901	1-17	102004601	1-47
101927901	13-5	101964001	1-17	102004602	1-47
101928001	13-5	101964601	3-23	102004801	13-15
101928101	13-5	101965201	14-47	102004901	5-49
101928301	13-7	101965205	14-45	102006701	3-31
101928601	13-3	101966801	14-39	102009201	2-9
101928701	13-3, 16-5, 18-7	101968701	14-9	102009202	2-9
101929301	7-5	101968801	14-39	102009301	2-9
101929401	5-41, 5-43	101969701	6-47, 6-49, 14-27	102009302	2-9
101929501	10-3, 10-5	101971301	10-19	102009401	2-9
101929801	12-3	101972001	18-7	102009402	2-9
101929802	12-3	101972002	18-7	102009501	2-9
101931501	3-7, 3-23, 14-45	101972003	18-7	102009502	2-9
101931601	14-39	101972004	18-7	102009901	2-11
101932201	6-47, 6-49, 14-27	101972005	18-7	102009902	2-11
101932401	14-33	101972006	18-7	102010001	2-11
101932501	14-33	101972007	18-7	102010002	2-11
101932601	14-45	101972009	18-7	102022101	4-17, 4-21
101932701	14-45	101972011	18-7	102022601	5-15, 5-27
101933101	18-7	101972012	18-7	102022602	5-15, 5-27, 5-37
101933701	10-23, 10-25	101972101	16-5	102025401	4-15
101935301	4-15	101972201	16-5	102025901	6-41, 6-45, 6-47, 6-49
101935501	14-23, 14-27	101972801	10-19	102026001	4-25, 4-27
101936801	14-29	101973101	10-9, 10-11	102031901	13-7
101939901	6-51	101973201	10-9	102045901	13-3, 13-11, 13-13, 13-15, 13-17
101942301	14-33, 14-39, 14-47, 14-49, 15-5, 15-7, 15-9, 15-11	101973301	10-11	102061201	18-9
101946201	1-17	101973401	10-15	102065901	1-19, 1-21, 1-41, 7-15, 8-15, 9-15, 9-17
101951501	13-11	101973501	17-9	102066001	1-41
101953101	4-17	101978001	14-9	102075801	3-31
101953102	4-19, 4-21	101979101	13-9, 14-31	102101001	14-29
101953103	4-23	101980801	13-5	102101101	14-29
101953106	4-13	101980901	13-5	102155801	12-11, 12-13
101953801	8-3	101981001	13-5	102157201	3-39
101953802	9-3	101984801	5-3, 5-5	102157301	3-37
101953901	7-3	101987501	17-9	102158501	3-39
101954301	1-15	101987701	10-3, 10-5	102162101	14-13
101955001	5-19, 5-23, 5-27	101987901	6-29, 14-15	102162102	14-5
101955101	6-27, 14-21	101988001	6-29, 14-15	102162501	14-19
101955301	10-3, 10-5	101988002	6-29, 14-15	102162601	4-19, 4-23
101956201	17-9	101988101	6-29, 14-15	102166901	4-19, 4-23
101956202	17-9	101988201	6-29, 14-15	102169401	18-7
101957101	6-47, 6-49, 14-27	101989901	14-19	102185401	10-21, 10-23
101957501	14-39	101990102	6-13, 6-33	102186001	15-9, 15-11
101958201	17-9	101990201	6-21, 6-39	102186101	15-9, 15-11
101958301	17-9	101990302	6-9, 6-35	102186201	15-9, 15-11
101958601	1-17, 1-23	101990402	6-17, 6-37	102186301	15-9, 15-11
101959902	3-7	101990703	6-41, 6-45, 6-47, 6-49	102186401	15-9, 15-11
101960001	3-21, 3-25	101990801	4-17, 4-19, 4-21, 4-23	102186701	15-9, 15-11
101960101	3-3	101991101	6-41, 6-45, 6-47, 6-49	102186901	15-9, 15-11
101960201	3-11, 3-17	101997802	14-51, 14-53	102187001	15-9
101960501	3-9, 3-15, 3-19, 3-25, 3-33	102003201	10-3, 10-5	102187101	15-9, 15-11
101960601	3-3, 3-11, 3-17, 3-21, 3-25, 3-31	102003901	5-13	102187201	15-9, 15-11

INDEX

102190702	10-21, 10-23	102357001	16-5	103234301	3-41
102196601	14-9	102406701	10-7	103261301	3-41
102196901	14-33	102430901	8-13, 9-13	103282601	14-45
102199001	6-27	102431001	9-11	103284101	3-41
102199601	14-9	102453001	13-5	103316701	14-45
102224001	1-47, 3-33	102453101	13-5	103316801	14-45
102231601	3-33	102459301	3-5, 3-7, 3-13, 3-17, 3-31	103316901	14-45
102235201	15-3, 15-5, 15-7, 15-9, 15-11	102519201	3-3, 3-11, 3-23, 3-29, 3-31	103325501	15-7
102237701	15-3	102522001	10-7	103325601	15-7
102240102	15-5	102540301	7-15, 8-15, 9-15, 9-17	103325701	15-7
102240104	15-7	102555501	18-3	103325801	15-7
102240501	14-45	102562401	18-3	103332402	6-5, 6-31
102241501	18-7	102564002	5-17, 5-25, 5-29	103337601	15-7
102241502	18-7	102569304	2-3	103345701	12-3, 12-5
102242101	12-11, 12-13	102570401	18-11	103350901	5-41, 5-45
102243402	18-7	102588501	5-35, 5-39	103351001	5-15, 5-19, 5-27
102243403	15-3, 15-5, 15-7, 15-9, 15-11	102601501	18-5	103351101	5-43
102248803	18-7	102603501	18-5	103354701	5-15, 5-27
102249901	18-3	102605201	18-5	103372101	10-7
102250201	14-31	102606101	18-5	103372302	10-7
102251501	18-7	102607501	18-5	103379501	13-11
102251901	15-5	102668801	18-9	103380201	4-3
102259401	1-41	102669901	18-7	103380202	4-3
102259801	14-45	102674001	18-5	103397901	14-21, 17-5, 17-11
102263601	14-45	102674101	18-5	103403101	14-45
102263701	14-45	102674201	18-5	103406501	1-27, 1-33
102265501	15-5	102674401	18-9	103406502	1-27, 1-33
102265601	15-5, 15-7	102674601	18-9	103406601	1-27, 1-33
102265701	15-5, 15-7	102675001	18-5	103414901	14-21, 17-5, 17-11
102265801	15-5, 15-7	102675101	18-5	103428501	17-3
102265901	15-5, 15-7	102675201	18-5	103428601	17-3
102266001	15-5, 15-7	102675301	18-5	103428701	17-3
102266101	15-5, 15-7	102675401	18-5	103429001	17-3
102266501	14-45	102683201	3-41	103429101	17-3
102266601	14-33	102683301	3-41	103429201	17-3
102266701	14-33	102684501	5-17, 5-25, 5-29	103429301	17-3
102267001	15-5, 15-7	102686101	18-3	103429501	17-3
102271601	8-11	102704701	15-9, 15-11	103429701	17-3
102273101	14-37	102704801	15-9, 15-11	103434001	17-3
102273701	17-3	102704901	15-9, 15-11	103439901	17-3
102273801	17-3	102705001	15-9	103477901	5-31, 5-33
102273901	17-3	102711201	6-31, 6-33, 6-39	103483101	4-3
102278001	5-3, 5-5	102753401	7-9, 8-9, 9-9	103483102	4-3
102289201	5-15, 5-27, 5-37	102766301	5-17, 5-21, 5-25, 5-29	103483201	4-3
102292801	4-13, 4-19, 4-23	102771701	16-5	103483301	4-3
102304701	7-9	102806201	14-45	103483401	4-3
102304801	8-9, 9-9	102845203	14-41, 14-55	103483501	4-3
102323101	4-7, 4-9, 4-13, 4-19, 4-21, 4-23	102865101	10-3, 10-5	103483601	4-3
102323201	4-7, 4-9, 4-13, 4-19, 4-21, 4-23	102871801	5-41, 5-43, 5-45	103483701	4-3
102327801	15-5	102886301	16-5	103502701	5-21, 5-29
102330901	18-9	102886401	16-5	103507001	5-17, 5-21, 5-25
102336001	10-17	102886501	16-5	103512801	17-3
102336101	10-17	102886601	16-5	103512901	17-3
102355301	6-55	102900501	14-39	103513001	17-3
102356601	16-5	103010101	10-3	103517401	17-3
102356801	16-5	103200701	14-27	103520301	10-21

INDEX

103520401 10-23
103538701 1-19, 1-21, 1-41
103538901 1-19, 1-21, 1-41
103601501 5-37
103601601 5-3
103628801 5-21, 5-29
103651901 10-7
103653401 5-37
103653501 5-15, 5-27
103717001 17-3
103717002 17-3
103717003 17-3
103717302 5-33
103717402 5-33
103776901 10-7
103779601 17-3
103781101 10-3
103781201 10-3
96704416 7-15, 8-15, 9-15, 9-17

A

absorber, rear shock 5-35, 5-39
absorber, shock 5-23
AC cord 17-5, 17-7, 17-9, 17-11, 17-13
AC cord bushing 17-3
AC cord receptacle 17-9
AC cordset 17-3
accelerator bracket and bearing assembly 4-25, 4-27
accelerator cable 10-17
accelerator pedal 4-25, 4-27
accelerator pedal adjustment tool 18-3
accelerator pivot rod 4-25, 4-27
accelerator return spring 4-25, 4-27
accelerator rod 4-29, 4-31, 4-33
access door hinge 1-39
access door plate 1-39
adapter
 cable (IQDM) 18-7
adhesive, guide ring 18-3
adjuster
 hydraulic brake 18-7
adjuster, lash 8-11, 9-11
air box 10-19
air box top 10-19
air duct shield 10-21, 10-23
air filter 10-19
air intake hose 10-19
ammeter 17-3, 17-5, 17-7, 17-9, 17-11, 17-13
anchor body 4-5, 4-11
anchor body kit 4-5, 4-11
anchor, piston 4-5, 4-11
angled bumper mount 5-35
anti-sway bar 5-47, 5-49
A-plate strap 5-15, 5-19, 5-23, 5-27
A-plate, delta 5-15, 5-19, 5-23, 5-27

arbor 18-3
arm
 governor 13-3
 pivot 13-3
 rocker 7-9, 8-9, 9-9
armature 6-51, 15-3, 15-5, 15-7, 15-9, 15-11
armature conversion kit 6-51
armrest 1-17
assembly
 accelerator bracket and bearing 4-25, 4-27
 accelerator pivot rod 4-25, 4-27
 air box 10-19
 air box top 10-19
 armature 6-51
 axle 13-7
 bearing, steering shaft 5-3, 5-5
 bell crank and shaft 6-31, 6-33, 6-35, 6-37, 6-39
 brake lever 4-3
 brush connector 6-51
 brush holder 6-51
 carburetor 10-9, 10-11
 choke cable 10-23
 connecting rod 7-13, 8-13, 9-13
 cylinder head 8-9, 9-9
 delta A-plate 5-15, 5-19, 5-23, 5-27
 delta shock and gear support 5-15, 5-19, 5-23, 5-27
 diode 14-37
 drive clutch 12-5
 drive hub 12-3, 12-5
 driven clutch 12-11
 driven clutch fixed-face 12-11, 12-13
 field coil 6-51
 float 10-9, 10-11
 Forward/Reverse shifter 13-9
 frame and field (motor) 15-9, 15-11
 front panel 1-27
 fuel tank vent 10-7
 governor 13-5
 headlight 6-29, 14-15
 headlight harness 6-29, 14-15
 idle screw 10-9, 10-11
 inner ball joint 5-11, 5-37
 kingpin 5-17, 5-21, 5-25, 5-29
 latch weld 1-19, 1-21
 moveable-face 12-3, 12-5, 12-11, 12-13
 pilot air screw 10-9, 10-11
 plug cap 8-5, 9-5
 prop rod support 1-25
 ratchet 4-7, 4-9
 score card plate 5-7
 secondary clutch weight 12-3, 12-5
 side panel 1-27
 steering shaft 5-3, 5-5
 steering wheel 5-7, 5-9

tailgate 1-27
tilt bed 1-21
transmission cable 13-13, 13-15
turn signal lens 6-29, 14-15
axle 13-7, 16-3, 16-5
axle shaft oil seal 13-7, 16-5
axle tube 16-5

B

backing plate, brake 4-5, 4-11
bag, desiccant 12-3, 12-5
ball bearing 8-11, 9-11
ball joint 4-7, 4-9, 4-29, 4-31, 4-33, 5-11, 5-19, 5-23, 13-11, 13-13, 13-15, 13-17
ball joint, left-hand thread 5-11, 5-19, 5-23
ball stud 6-31, 6-33, 6-35, 6-37, 6-39, 13-3, 13-9
ball, shifter 13-5
ball, steel pressure relief 7-7, 8-7, 9-7
band, RPM limiter mount 7-5, 8-5, 9-5
bar, drive 14-29
bar, stabilizer 5-47, 5-49
barb, vent 10-3, 10-5, 10-7
barrel, plastic 1-7, 1-9, 1-17, 1-27, 1-33
battery 6-55
 8-volt 14-41, 14-43, 14-55
 8-volt moist 14-41, 14-43, 14-55
battery cap 14-41, 14-43, 14-55
battery charger 17-5, 17-7, 17-9
battery charger and reel 17-11, 17-13
battery charger case 17-5, 17-7, 17-9, 17-11, 17-13
battery charger receptacle 14-35
battery charger transformer 17-5, 17-7, 17-9, 17-11, 17-13
battery charger, onboard 17-11
battery clamp 6-55
battery condition indicator, 48-volt 14-27
battery discharge machine 18-3
battery hold-down 14-41, 14-43, 14-55
battery hold-down rod 14-41, 14-55
battery terminal protector spray 18-3
battery thermometer 18-3
battery warning light 14-23, 14-27
bearing 16-5
 ball 8-11, 9-11
 ball (motor) 15-9, 15-11
 ball (steering pinion) 5-11, 5-37
 front wheel hub 5-31, 5-33
 hub 5-31, 5-33
 idler 12-3, 12-5
 inner axle tube 13-7, 16-5
 lower pinion (steering) 5-11, 5-37
 needle 13-5
 outer axle tube 13-7
 pivot support 4-25, 4-27
 steering shaft 5-3, 5-5

INDEX

- thrust 5-17, 5-21, 5-25, 5-29
 - bearing and oil seal remover 18-3
 - bearing driver set 18-3
 - bearing puller 18-3
 - bearing puller wedge 18-3
 - bearing retainer 15-3, 15-5, 15-7
 - bearing seal 5-3, 5-5
 - bearing seat 5-3, 5-5
 - bed assembly, long 1-39
 - bed floor plate 1-21
 - bed floor plate, forward 1-39
 - bed floor plate, rear 1-39
 - bed frame assembly 1-19
 - bed frame, long 1-39
 - bed latch 1-27, 1-33
 - bed latch spring 1-27, 1-33
 - bed seal 1-19, 1-21
 - bed, floor plate 1-19
 - bed, tilt 1-19, 1-21
 - bell crank 13-9
 - bell crank and shaft 6-31, 6-33, 6-35, 6-37, 6-39
 - bellows 5-11, 5-37
 - belt, drive 12-7, 12-9
 - belt, starter/generator 6-53, 12-3, 12-5
 - bezel, choke cable 10-23, 10-25
 - bezel, headlight 6-29, 14-15
 - block, brake-mounting 4-7, 4-9
 - block, fuse 6-31, 6-33, 6-35, 6-37, 6-39, 14-37
 - block, terminal 6-27, 14-21, 14-39
 - body, anchor 4-5, 4-11
 - body, front 1-5
 - bolt, J- 14-43
 - bolt, U- 5-35, 5-39
 - boot, steering column 5-3, 5-5
 - boot, switch 14-33
 - bottom, air box 10-19
 - box
 - air 10-19
 - cargo 1-27, 1-33
 - electrical component 6-31, 6-33, 6-35, 6-37, 6-39
 - steering gear 5-11, 5-37
 - brace, trailer hitch 1-43
 - bracket 5-41, 5-43, 6-41, 6-45, 6-47, 6-49, 7-3
 - accelerator cable 10-17
 - adjustable starter/generator 6-53
 - battery charger 17-11, 17-13
 - brake cable guide 5-19, 5-23, 5-27
 - brake light switch 6-47, 6-49, 14-27
 - governor cable 10-17
 - headlight mounting 6-29, 14-15
 - horn 6-27, 14-21
 - hour meter 14-51
 - muffler mounting 11-3, 11-5
 - oil filter mount 7-7, 8-7, 9-7
 - oil level switch 7-11, 8-11, 9-11
 - relay mounting 6-35, 6-37, 17-7, 17-11, 17-13
 - retaining 10-25
 - RPM limiter 7-5, 8-5, 9-5
 - shifter 13-3, 13-11, 13-13, 13-15, 13-17
 - shock absorber 5-35, 5-39, 5-45
 - shock mounting 5-35, 5-39, 5-45
 - snubber 7-15, 8-15, 9-15, 9-17
 - stabilizer bar mounting 5-47, 5-49
 - stake side 1-39
 - starter/generator mounting 6-53
 - steering column 5-3, 5-5
 - steering column mounting 5-3, 5-5
 - throttle spring return 10-13, 10-15
 - Tow/Run switch 14-33
 - brake actuator kit 4-5, 4-11
 - brake adjusting mechanism 4-3
 - brake adjustment tool 18-3
 - brake backing plate 4-5, 4-11
 - brake cable 4-13, 4-17, 4-19, 4-21, 4-23
 - brake cable equalizer 4-13, 4-17, 4-19, 4-21, 4-23
 - brake cable hanger 4-17, 5-35, 5-39, 5-41, 5-43, 5-45
 - brake cable release tool 18-3
 - brake cluster 4-5, 4-11
 - brake drum 4-3, 4-5, 4-11
 - brake lever 4-3
 - brake lever arm 4-5, 4-11
 - brake light switch bracket 6-47, 6-49, 14-27
 - brake mounting block 4-7, 4-9
 - brake pedal 4-7, 4-9
 - brake pedal adjustment tool 18-3
 - brake pedal pad 4-7, 4-9
 - brake pedal tension tool 18-3
 - brake return spring 4-17, 4-19, 4-21, 4-23
 - brake self-adjusting mechanism 4-3
 - brake shoe 4-3, 4-5, 4-11
 - brake spring 4-3, 4-5, 4-11
 - breaker, circuit 17-3, 17-5, 17-7, 17-9, 17-11, 17-13
 - breather 13-3, 16-5
 - brush 15-3, 15-5, 15-7, 15-9, 15-11
 - brush and screw set 6-51
 - brush box assembly 15-9, 15-11
 - brush connector 6-51
 - brush guard 1-9
 - brush holder 6-51
 - brush inspection port cover 6-51
 - brush port cover 6-51
 - brush rigging 15-3, 15-5, 15-7, 15-9, 15-11
 - brush spring 15-3, 15-5, 15-7, 15-9, 15-11
 - brush spring set 6-51
 - bulb, headlight 6-29, 14-15
 - bulb, tail light 6-57, 14-55
 - bumper
 - drive unit (motor) 15-3, 15-5, 15-7, 15-9, 15-11
 - front 1-3, 1-5, 1-7, 1-9
 - front, heavy duty 1-3, 1-7
 - front, kit 1-3, 1-5, 1-7, 1-9
 - jounce 5-35, 5-39
 - rear 1-49
 - rubber 1-23, 1-41, 4-7, 4-9
 - seal, long 1-15
 - spring return 4-25, 4-27
 - bumper mount 5-39
 - bumper mount, angled 5-35
 - bumper mounting 1-49
 - bumper, heavy duty 1-3, 1-7
 - bumper, seat 1-15
 - bushing 12-3, 12-5
 - AC cord 17-3
 - bronze 5-31, 5-33
 - nylon 1-27, 1-31, 1-33, 1-35, 4-7, 4-9
 - return line 10-7
 - snap-in 1-27, 1-33
 - spindle 5-31, 5-33
 - stabilizer bar 5-47, 5-49
 - steel 1-19, 1-21, 1-41, 5-17, 5-21, 5-25, 5-29, 5-35, 5-39, 5-41, 5-43, 5-45
 - urethane 1-19, 1-21, 1-41, 5-15, 5-17, 5-19, 5-21, 5-23, 5-25, 5-27, 5-29, 5-35, 5-39, 5-41, 5-43, 5-45
 - bushing support 5-47, 5-49
 - bushing, insulated 15-3, 15-5, 15-7
 - Buss bar 14-31
 - button, choke 10-21
 - button, drive 12-11, 12-13
 - buzzer, reverse 6-27, 6-41, 6-45, 6-57, 14-21, 14-23, 14-57
- ## C
- cable
 - accelerator 10-17
 - brake 4-13, 4-17, 4-19, 4-21, 4-23
 - choke 10-23, 10-25
 - FNR shifter 13-17
 - governor 10-17
 - IQDM 18-7
 - transmission 13-11, 13-13, 13-15
 - cable retainer 13-11
 - calibration test module 18-3
 - cam
 - driven clutch 12-11, 12-13
 - electrical component box 6-31, 6-33, 6-35, 6-37, 6-39
 - neutral lockout 13-9
 - cam installation tool 18-3
 - camshaft 7-11, 8-11, 9-11
 - camshaft shim 8-11, 9-11
 - camshaft spring 8-11
 - cap

INDEX

- battery 14-41, 14-43, 14-55
 - corner 1-17, 1-31, 1-35
 - dust 14-33
 - key switch 6-41, 6-45, 6-47, 6-49, 14-23, 14-27
 - plug 8-5, 9-5
 - seat back 1-17
 - spark plug 7-5
 - carburetor 10-9, 10-11
 - carburetor float level tool 18-7
 - carburetor gasket 10-15
 - carburetor insulator 10-13, 10-15, 15-3, 15-5, 15-7
 - carburetor mounting gasket 10-13, 10-15
 - card, safety first 18-9
 - cargo bed, side panel 1-27, 1-33
 - cargo box 1-27, 1-33
 - case
 - battery charger 17-5, 17-7, 17-9, 17-11, 17-13
 - differential gear 13-7
 - FNR switch 14-33
 - gear 13-3, 16-5
 - rocker 7-9, 8-9, 9-9
 - case, charger 17-3
 - charger bezel tool 18-3
 - charger board relay 17-3
 - charger case 17-3
 - charger hardware 17-3
 - charger legs 17-3
 - charger receptacle 14-35
 - charger, battery 17-5
 - charger, battery, onboard 17-11
 - choke button 10-21
 - choke cable 10-23, 10-25
 - choke cable bezel 10-23, 10-25
 - choke lever 10-21
 - choke lever guide 10-21
 - choke positioner 10-21
 - choke valve 10-19
 - circuit breaker 17-3, 17-5, 17-7, 17-9, 17-11, 17-13
 - clamp
 - battery 6-55
 - cable retaining 10-17
 - hose 10-3, 10-5, 10-7, 10-13, 10-15, 10-19
 - muffler hose 11-3, 11-5
 - clevis, upper delta 5-17, 5-21, 5-25, 5-29
 - clip, angle 1-37
 - clip, rod 1-41
 - clip, score card 5-7
 - cluster idler gear 13-5
 - cluster, brake 4-5, 4-11
 - clutch alignment tool 18-5
 - clutch pulley 12-3
 - clutch removal tool 18-3
 - clutch repair kit 12-11, 12-13
 - clutch tool kit 18-5
 - clutch weight 12-3, 12-5
 - clutch, drive 12-3
 - clutch, driven 12-11, 12-13
 - coil, field 6-51
 - coil, ignition 7-5, 8-5, 9-5
 - collet 7-9, 8-9, 9-9
 - column, steering 5-3, 5-5
 - communication display module 18-5
 - component box, electrical 6-31, 6-33, 6-35, 6-37, 6-39
 - component cover 14-39
 - component mounting plate 14-37, 14-45, 14-47, 14-49
 - compression gauge 18-5
 - compression lug 14-5, 14-39, 14-45, 14-47, 14-49
 - compression mount 5-47, 5-49
 - compression spring 10-21
 - compressor, piston ring 18-9
 - compressor, valve spring 18-11
 - computer, onboard 14-39, 14-45, 14-47, 14-49
 - connecting rod 7-13, 8-13, 9-13
 - connector, a- 6-51
 - connector, four-pin 14-33
 - connector, speed controller 14-45
 - continuity tester 18-5
 - control board 17-11, 17-13
 - controller cover 14-45
 - controller cover gasket 14-45
 - controller, motor speed 14-45
 - controller, speed 14-37, 14-47, 14-49
 - cord connector 7-11, 8-11, 9-11
 - cord reel 17-11, 17-13
 - cord, AC 17-5, 17-7, 17-9, 17-11, 17-13
 - cord, DC 17-5, 17-7, 17-9, 17-11, 17-13
 - Cordset
 - PD3, AC 114" 17-3
 - PD3, AC 80" 17-3
 - PD3, DC 113" 17-3
 - PD3, DC 154" 17-3
 - PD3, DC 205" 17-3
 - counterbalance guide shaft 7-13, 8-13, 9-13
 - counterbalance weight 7-13, 8-13, 9-13
 - cover
 - brush inspection port 6-51
 - brush port 6-51
 - component 14-39
 - crankcase 7-11, 8-11, 9-11
 - dust 4-5, 4-11, 5-3, 5-5, 5-31, 5-33
 - electrical box 6-31, 6-33, 6-35, 6-37, 6-39
 - fuse block 14-37
 - oil pump 7-7, 8-7, 9-7
 - screw head 1-11
 - steering column tube 5-3, 5-5
 - cover gasket, controller 14-45
 - cover plate 15-9, 15-11
 - cover, controller 14-45
 - cover, speed controller 14-45
 - cowl 1-3, 1-5, 1-7, 1-9
 - crank, bell 13-9
 - crankcase 7-13, 8-13, 9-13
 - crankcase cover 8-11, 9-11
 - crankcase cover gasket 7-9, 7-11
 - crankcase vent tube 10-13, 10-15
 - crankshaft 7-13, 8-13, 9-13
 - crankshaft rod 8-13, 9-13
 - crankshaft seal 7-11
 - crankshaft shim 7-13, 8-13, 9-13
 - C-type stop ring 5-11, 5-37
 - cup holder 1-13
 - cup, spring 4-25, 4-27
 - current limiter 17-9
 - cushion, shock absorber 5-35, 5-39, 5-41, 5-43, 5-45
 - cutter, valve seat 18-5, 18-11
- ## D
- damper, RPM limiter 7-5, 8-5, 9-5
 - dash component 1-11
 - dash panel 1-11
 - DC cord 17-5, 17-7, 17-9, 17-11, 17-13
 - DC cordset 17-3
 - decal
 - battery danger 3-5, 3-7, 3-13, 3-21
 - bed hold-down bolts 3-23, 3-27, 3-29
 - bed load warning 1-27, 1-33, 3-3, 3-11, 3-17, 3-21, 3-25, 3-31
 - Carryall 3-41
 - Carryall 1 3-35
 - Carryall 2 3-35
 - Carryall 2 Plus 3-35
 - Carryall 2 XRT 3-39
 - Carryall 252 3-41
 - Carryall 6 3-37
 - Club Car/Ingersoll-Rand 3-37
 - component cover 3-7, 3-23, 14-45
 - crush area warning 3-3, 3-5, 3-7, 3-11, 3-13, 3-17, 3-21, 3-25, 3-31
 - dash warning 3-3, 3-11, 3-17, 3-21, 3-25, 3-31
 - driver/passenger 3-9, 3-15, 3-19, 3-25, 3-33
 - frame ground 3-9, 3-15, 3-19, 3-25, 3-33
 - IR 3-41
 - key switch 3-17, 3-27
 - motor braking 3-7
 - no ground warning 3-23
 - on/off 3-3, 3-11, 3-23, 3-29, 3-31
 - operating instructions 3-17, 3-27
 - operating instructions (gas) 3-3, 3-11, 3-23, 3-29, 3-31

INDEX

- rotating parts 1-47, 3-9, 3-15, 3-19, 3-25, 3-33
 - tailgate 1-27, 1-33, 3-35, 3-39, 3-41
 - Tow/Run switch warning 3-7
 - trailer hitch 1-43, 3-5, 3-7, 3-9, 3-13, 3-15, 3-19, 3-33
 - Turf 1 3-35
 - Turf 2 3-35
 - Turf 2 XRT 3-39
 - Turf 252 3-41
 - Turf 6 3-37
 - vehicle loading 3-3, 3-11, 3-17, 3-21, 3-25, 3-31
 - winch cable warning 3-33
 - young driver warning 3-31
 - delta A-plate 5-15, 5-19, 5-23, 5-27
 - delta A-plate sub-assembly 5-15, 5-19, 5-23, 5-27
 - delta shock and gear support 5-15, 5-19, 5-23, 5-27
 - desiccant bag 12-3, 12-5
 - DF-terminal insulator 6-51
 - diesel tachometer probe 18-9
 - differential 16-3
 - drive unit 16-5
 - differential gear 13-7, 16-5
 - differential gear case 13-7
 - differential housing 16-5
 - differential idler gear 13-7
 - differential pin 13-7
 - diode 6-31, 6-33, 6-35, 6-37, 6-39, 14-37, 14-45, 14-47, 14-49
 - dipstick 7-3, 8-3, 9-3
 - door 1-37
 - door assembly 1-37
 - door latch 1-37, 1-39
 - drain plug 7-7, 8-7, 9-7
 - drain plug gasket 7-7, 8-7, 9-7, 13-3
 - drive bar 14-29
 - drive belt 12-7, 12-9
 - drive button 12-11, 12-13
 - drive clutch 12-3
 - drive clutch assembly 12-5
 - drive clutch button 12-3, 12-5
 - drive clutch fixed sheave tool 18-5
 - drive clutch fixed-face 12-3, 12-5
 - drive clutch holder tool 18-5
 - drive clutch hub puller 18-5
 - drive clutch puller 18-5
 - drive clutch pulley 12-5
 - drive clutch spider removal tool 18-5
 - drive clutch spring 12-3, 12-5
 - drive clutch weight 12-3, 12-5
 - drive hub 12-3, 12-5
 - drive unit 16-3
 - drive unit bumper 15-3, 15-5, 15-7, 15-9, 15-11
 - driven clutch 12-11, 12-13
 - driven clutch button 12-11, 12-13
 - driven clutch cam 12-11, 12-13
 - driven clutch cam puller 18-5
 - driven clutch fixed-face assembly 12-11, 12-13
 - driven clutch puller plug 18-5
 - driven clutch spring compression base tool 18-5
 - driven clutch spring compression collar tool 18-5
 - driven clutch spring compression nut tool 18-5
 - driver, drive clutch 12-3, 12-5
 - drum, brake 4-3, 4-5, 4-11
 - dry moly lubricant 18-7
 - duct, intake 10-25
 - dust cap 14-33
 - dust cover 4-5, 4-11, 5-3, 5-5, 5-31, 5-33
- E**
- E-clip 4-13, 4-17, 4-19, 4-21, 4-23
 - electrical box cover 6-31, 6-33, 6-35, 6-37, 6-39
 - electrical component box 6-31, 6-33, 6-35, 6-37, 6-39
 - electrical component mounting plate 14-37, 14-49
 - end bell, commutator 6-51
 - end bell, output shaft 6-51
 - end cap, motor 15-3, 15-5, 15-7, 15-9, 15-11
 - end shield
 - motor 15-5, 15-7
 - end, tie rod 5-15, 5-27
 - engine 7-3, 8-3
 - engine mounting plate 7-15, 8-15, 9-15, 9-17
 - engine shroud 7-3, 8-3, 9-3
 - engine valve spring 7-9
 - engine, FE350 CW without ACR 9-3
 - equalizer pivot 4-13
 - equalizer rod 4-13, 4-17, 4-19, 4-21, 4-23
 - equalizer, brake cable 4-13, 4-17, 4-19, 4-21, 4-23
 - exhaust system 11-3, 11-5
 - exhaust valve 7-9, 8-9, 9-9
 - extension, FNR shifter bracket 13-15
 - extension, I-beam 5-13
 - extension, spring latch 1-19, 1-21
 - extrusion 14-45
 - extrusion, fender 1-7
- F**
- face, moveable 12-3, 12-5, 12-11, 12-13
 - fan housing 7-3, 8-3, 9-3
 - fan shroud 7-3, 8-3, 9-3
 - fan, flywheel 7-5, 8-5, 9-5
 - fender 1-47
 - fender extrusion 1-7
 - fender, rear 1-45, 1-47, 1-49
 - field coil 6-51
 - field coil housing 6-51
 - fill plug 13-3
 - filter
 - air 10-19
 - fuel 10-3, 10-5
 - oil 7-7, 8-7, 9-7
 - oil pump 8-7, 9-7
 - fitting, thread-forming grease 5-11, 5-19, 5-23, 5-31, 5-33
 - fixed-face, drive clutch 12-3, 12-5
 - fixed-face, driven clutch 12-11, 12-13
 - float 10-9, 10-11
 - floor mat 1-9, 1-11, 1-37
 - floor plate, bed 1-21
 - flywheel 7-5, 8-5, 9-5
 - flywheel fan 8-5, 9-5
 - flywheel fan plate 7-5, 8-5, 9-5
 - flywheel puller 18-7
 - FNR handle 13-9, 14-31
 - FNR shifter base 13-9
 - FNR shifter cable 13-17
 - FNR switch 14-31
 - FNR switch case 14-33
 - fork, shift 13-5
 - Forward/Reverse shifter 13-9
 - frame and field assembly (motor) 15-9, 15-11
 - frame, tilt bed 1-21
 - front body 1-5
 - front bumper 1-3, 1-5, 1-7, 1-9
 - front bumper kit 1-3, 1-5, 1-7, 1-9
 - front panel 1-27
 - front spring retainer plate 5-17, 5-21, 5-25, 5-29
 - front suspension 5-15
 - front suspension sub-assembly 5-27
 - F-terminal hardware 6-51
 - f-terminal insulator 6-51
 - fuel filter 10-3, 10-5
 - fuel gauge sending unit 10-7
 - fuel gauge/hour meter 6-41, 6-45, 6-47, 6-49
 - fuel line 10-3, 10-5, 10-7, 10-13, 10-15
 - fuel pump mount 10-3, 10-5
 - fuel pump, impulse 10-5
 - fuel tank 10-7
 - fuel tank strap 10-3, 10-5
 - fuel tank vent 10-7
 - fuse 14-35, 17-5, 17-7, 17-9, 17-11, 17-13
 - 10-amp 6-31, 6-33, 6-35, 6-37, 6-39
 - 20-amp 6-31, 6-33, 6-35, 6-37, 6-39, 14-37
 - 3/8-amp 14-35, 14-39
 - charger 17-3
 - fuse block 6-31, 6-33, 6-35, 6-37, 6-39, 14-37
 - fuse block cover 14-37

INDEX

G

gasket 16-5
carburetor 10-15
carburetor mounting 10-9, 10-11, 10-13, 10-15
crankcase cover 7-9, 7-11, 8-9, 8-11, 9-9, 9-11
drain plug 7-7, 8-7, 9-7, 13-3
exhaust 7-9, 8-9, 9-9, 11-3, 11-5
head 7-9, 8-9, 9-9
insulator 7-9, 8-9, 9-9, 10-13, 10-15
liquid 13-3, 16-5, 18-7
oil pump 7-7
rocker case 7-9, 8-9, 9-9
sending unit 10-7
taillight 6-57, 14-55
voltage limiter 14-39
gasket kit, FE290 7-9
gasket kit, FE350 8-9, 9-9
gasket, controller cover 14-45
gauge, compression 18-5
gauge, fuel/hour 6-41, 6-45, 6-47, 6-49
gear
case 13-3, 16-5
cluster idler 13-5
differential 13-7, 16-5
differential idler 13-7, 16-5
differential output 16-5
helical 7-13, 8-13, 9-13, 13-5, 13-7
spur 7-13, 8-13, 9-13, 13-5
synchro 13-5
gear yoke 18-7
governor 13-5
governor arm 13-3
governor cable 10-17
governor cable bracket 10-17
governor shaft installation tool 18-7
governor shield 10-13
grip, pencil 5-7
grip, tilt latch hand 1-19, 1-21, 1-27, 1-33
grommet 10-7, 10-25, 14-39
guard, brush 1-9
guide
choke lever 10-21
intake valve 7-9, 8-9, 9-9
valve 8-9, 9-9
valve seat cutter 18-11
guide ring adhesive 18-3

H

handle, FNR 13-9, 14-31
hanger, brake cable 4-17, 5-35, 5-39, 5-41, 5-43, 5-45
hardware kit, charger 17-3
hardware, F-terminal 6-51
harness, wire 6-5, 6-9, 6-13, 6-17, 6-21, 6-25,

6-31, 6-33, 6-35, 6-37, 6-39, 14-5, 14-9, 14-13, 14-19
harness, wire, headlight 6-13, 6-43, 14-25
head gasket 7-9, 8-9, 9-9
head, cylinder 8-9, 9-9
head, FE290 7-9
headlight assembly 6-29, 14-15
headlight bulb 6-29, 14-15
headlight harness 6-29, 14-15
headlight retainer 6-29, 14-15
headlight wire harness 6-13, 6-43, 14-25
heat shrink tube 17-11, 17-13
heatsink and rectifier 17-5, 17-7, 17-9, 17-11, 17-13
heavy duty bumper 1-3, 1-7
helical gear 7-13, 8-13, 9-13, 13-5, 13-7
hill brake rod 4-7, 4-9
hill brake weld assembly 4-7, 4-9
hinge, access door 1-39
hinge, door 1-37
hitch, trailer 1-43
hold-down rod, battery 14-41, 14-55
hold-down, battery 14-41, 14-43, 14-55
holder, cup 1-13
horn 6-27, 14-21
horn bracket 6-27, 14-21
horn button and wire assembly 6-47, 6-49, 14-27
hose, air intake 10-19
hose, fuel 10-3, 10-5
hour meter 14-51, 14-53
hour meter/fuel gauge 6-41, 6-45, 6-47, 6-49
housing
2-pin 14-29
3-pin 14-29, 14-33, 14-39, 14-47, 14-49, 15-5, 15-7, 15-9, 15-11
4-pin 14-33
6-pin 14-45
differential 16-5
fan 7-3, 8-3, 9-3
field coil 6-51
hub 5-31, 5-33
hub bearing 5-31, 5-33
hub, synchronizer clutch 13-5
hydraulic brake adjuster 18-7
hydrometer 18-7

I

I-beam extension 5-13
idle screw assembly 10-9, 10-11
idler bearing 12-3, 12-5
idler gear, differential 16-5
ignition coil 7-5, 8-5, 9-5
inner frame snubber 7-15, 8-15, 9-15, 9-17
input shaft 16-5
insert, synchronizer 13-5

instrument panel 1-11
insulated bushing 15-3, 15-5, 15-7
insulator gasket 7-9, 8-9, 9-9, 10-13, 10-15
insulator, carburetor 10-13, 10-15, 15-3, 15-5, 15-7
intake duct 10-25
intake pipe 10-13, 10-15
intake valve 7-9, 8-9, 9-9
intermediate shaft 16-5
internal retaining ring pliers 18-7
IQ display module (IQDM) 18-7

J

J-bolt 14-43
jet, main 10-9, 10-11
jet, pilot 10-9, 10-11
joint
ball 4-7, 4-9, 4-29, 4-31, 4-33, 5-19, 5-23, 13-11, 13-13, 13-15, 13-17
left-hand thread ball 5-11, 5-19, 5-23
steering 5-5
jounce bumper 5-35, 5-39

K

key
crankshaft 7-5, 7-13, 8-5, 8-13, 9-5, 9-13
driven clutch 12-11, 12-13
On/Off 6-41, 6-45, 6-47, 6-49, 14-23, 14-27
square 12-11, 12-13
starter/generator 6-51
woodruff 13-3
key switch 6-41, 6-45, 6-47, 6-49
key switch cap 6-41, 6-45, 6-47, 6-49, 14-23, 14-27
key switch, On/Off 14-23, 14-27
kingpin 5-17, 5-21, 5-25, 5-29
kit
2-pin housing 14-29
3-pin housing 14-29, 14-33, 14-39, 14-47, 14-49, 15-5, 15-7, 15-9, 15-11
4-pin housing 14-33
6-pin housing 14-45
accelerator pivot rod 4-25, 4-27
anchor body 4-5, 4-11
brake cable 4-17, 4-21
brake pedal 4-7, 4-9
brake pedal adjustment tool 18-3
brake shoe retainer 4-5, 4-11
clutch repair 12-11, 12-13
differential gear case 13-7
drive clutch button 12-3, 12-5
drive clutch weight 12-3, 12-5
driven clutch button 12-11, 12-13
fuel tank 10-7
impulse fuel pump rebuild 10-3, 10-5
IQ display module (IQDM) 18-7

INDEX

magnet and bearing 15-5, 15-7
motor brush 15-9, 15-11
motor brush spring 15-9, 15-11
motor cover plate 15-9, 15-11
motor speed sensor 15-9, 15-11
motor terminal hardware 15-9, 15-11
neutral lockout cam 13-9
park brake latch 4-7, 4-9
park brake pedal 4-7, 4-9
PD3 Cordest, AC 114" 17-3
PD3 Cordest, AC 80" 17-3
PD3 Cordest, DC 113" 17-3
PD3 Cordest, DC 154" 17-3
PD3 Cordest, DC 205" 17-3
PD3 hardware 17-3
reverse buzzer 6-27, 6-41, 6-45, 6-57, 14-21, 14-23, 14-57
shock absorber 5-35, 5-39
shock absorber cushion 5-35, 5-39, 5-41, 5-43, 5-45
steering column rebuild 5-3, 5-5
tune-up 18-9
kit, taillight mounting 1-27, 1-33
knob, light switch 6-43, 6-47, 6-49, 14-25, 14-27

L

lash adjuster 8-11, 9-11
latch plate, tilt bed 1-23
latch weld 1-19, 1-21
latch, air box 10-19
latch, bed 1-27, 1-33
latch, door 1-37, 1-39
latch, park brake 4-7, 4-9
L-bracket, motor 15-9
leaf spring 5-35, 5-39, 5-41, 5-43, 5-45
legs, charger 17-3
lens, headlight 6-29, 14-15
lens, taillight 6-57, 14-55
lever
 change 13-3
 choke 10-19, 10-21
 transmission shifter 13-3
light
 battery warning 14-23, 14-27
 oil 6-41, 6-45, 6-47, 6-49
 tail 6-57, 14-55
light switch 6-43, 6-47, 6-49, 14-25, 14-27
light switch knob 6-43, 6-47, 6-49, 14-25, 14-27
limit switch 6-31, 6-33, 6-35, 6-37, 6-39, 6-47, 6-49, 13-9, 14-27, 14-31
limiter
 current 17-9
 RPM 7-5, 8-5, 9-5
 voltage 6-27, 6-43, 14-39
line, fuel 10-3, 10-5, 10-7, 10-13, 10-15
link, rack and pinion drag 5-11

link, stabilizer bar 5-47, 5-49
liquid gasket 13-3, 16-5, 18-7
low oil warning light 6-41, 6-45, 6-47, 6-49
lubricant, dry moly 18-7
lubricant, moly-teflon 15-3, 15-5, 15-7, 15-9, 15-11, 18-7
lug nut 2-3, 2-5, 2-7, 2-9, 2-11
lug stud 13-7, 16-5
lug, compression 14-5, 14-39, 14-45, 14-47, 14-49

M

magnet and bearing kit 15-5, 15-7
magnet, speed sensor 15-5, 15-7, 15-9, 15-11
main jet 10-9, 10-11
main nozzle 10-9
mat, floor 1-9, 1-11, 1-37
MCOR 14-29
mechanism, brake adjusting 4-3
meter, hour 14-51, 14-53
meter, volt ohm 18-11
module
 calibration test 18-3
 communication display 18-5
moly-teflon lubricant 18-7
motor
 48-volt 15-7
 48-volt 3.10 hp series 15-3
 48-volt IQ 15-5, 15-9, 15-11
motor armature 15-3, 15-5, 15-7
motor brush 15-5, 15-7
motor brush kit 15-9, 15-11
motor brush spring kit 15-9, 15-11
motor bumper 15-3, 15-5, 15-7, 15-9, 15-11
motor end cap 15-3, 15-5, 15-7, 15-9, 15-11
motor end shield 15-5, 15-7
motor L-bracket 15-9
motor magnet, speed sensor 15-5, 15-7, 15-9, 15-11
motor speed controller 14-45
motor speed sensor 15-5, 15-7, 15-9, 15-11
motor speed sensor kit 15-9, 15-11
motor stator shell and winding 15-3, 15-5, 15-7
motor terminal hardware kit 15-9, 15-11
mount, bumper 5-39
mount, compression 5-47, 5-49
mount, fuel pump 10-3, 10-5
mounting block, brake 4-7, 4-9
moveable-face 12-3, 12-5, 12-11, 12-13
muffler hose clamp 11-3, 11-5

N

name plate 3-35, 3-37, 3-39, 3-41
needle bearing 13-5
neutral lockout cam 13-9
nozzle, main 10-9, 10-11

nut, lug 2-3, 2-5, 2-7, 2-9, 2-11

O

OBC 14-45
OBC, onboard computer 14-45
oil filler tube 7-3, 8-3, 9-3
oil filter 7-7, 8-7, 9-7
oil filter mount bracket 7-7, 8-7, 9-7
oil filter screen 7-11, 8-11, 9-11
oil filter screen plate 7-11, 8-11, 9-11
oil level sensor 7-11, 8-11, 9-11
oil level switch bracket 7-11, 8-11, 9-11
oil pump and rotor 7-7, 8-7, 9-7
oil pump cover 7-7, 8-7, 9-7
oil pump filter 8-7, 9-7
oil pump gasket 7-7
oil pump plate 7-7, 8-7, 9-7
oil seal 7-9, 7-13, 8-9, 8-11, 8-13, 9-9, 9-11, 9-13, 13-3, 13-5
oil warning light, low 6-41, 6-45, 6-47, 6-49
onboard battery charger 17-11
onboard computer 14-39, 14-45, 14-47, 14-49
O-ring 7-3, 7-9, 7-11, 7-13, 8-3, 8-9, 8-11, 8-13, 9-3, 9-9, 9-11, 9-13
overload bumper spacer 5-35, 5-39

P

pad
 accelerator pedal 4-25, 4-27
 brake pedal 4-7, 4-9
 park brake 4-7, 4-9
paint, touch-up 18-7
panel box 1-27, 1-33
panel, front 1-27, 1-33
panel, side 1-27
park brake latch 4-7, 4-9
park brake pedal 4-7, 4-9
park brake rod sleeve 4-7, 4-9
park brake spacer 4-7, 4-9
park brake torsion spring 4-7, 4-9
pawl 4-7, 4-9
pedal, accelerator 4-25, 4-27
pedal, brake 4-7, 4-9
pedal, park brake 4-7, 4-9
pencil grip 5-7
pilot air screw 10-9
pilot air screw assembly 10-11
pilot jet 10-9, 10-11
pin, differential 13-7
pin, piston 7-13, 8-13, 9-13
pinion, steering 5-11, 5-37
pipe, intake 10-13, 10-15
piston 7-13, 8-13, 9-13
piston anchor 4-5, 4-11
piston pin 8-13, 9-13
piston ring 7-13, 8-13, 9-13

INDEX

- piston ring compressor 18-9
 - piston ring pliers 18-9
 - piston ring set 8-13, 9-13
 - pivot arm 13-3
 - pivot support bearing 4-25, 4-27
 - plate
 - access door 1-39
 - bed floor 1-19, 1-39
 - bumper mounting 1-49
 - component mounting 14-37, 14-45, 14-47, 14-49
 - cover 15-9, 15-11
 - engine mounting 7-15, 8-15, 9-15, 9-17
 - flywheel fan 7-5, 8-5, 9-5
 - front spring retainer 5-17, 5-21, 5-25, 5-29
 - latch 1-23
 - name 3-35, 3-37, 3-39, 3-41
 - oil filter screen 7-11, 8-11, 9-11
 - oil pump 7-7, 8-7, 9-7
 - receptacle backing 14-35, 17-11, 17-13
 - score card 5-7, 5-9
 - shackle 5-45
 - spring mounting 5-17, 5-21, 5-25, 5-29
 - steering wheel 5-9
 - thrust 13-5, 13-7
 - pliers
 - internal retaining ring 18-7
 - piston ring 18-9
 - retaining ring 18-9
 - plug
 - 2-way 14-39
 - 3-way 14-5, 14-13
 - 4-pin 14-33
 - 6-pin 14-45
 - drain 7-7, 8-7, 9-7
 - driven clutch puller 18-5
 - fill 13-3
 - spark 7-5, 8-5, 9-5
 - plug cap 8-5, 9-5
 - pole set 6-51
 - positioner, choke 10-21
 - press weldment 18-5
 - prop rod 1-25, 1-41
 - prop rod track 1-25
 - protector spray, battery terminal 18-3
 - puller
 - bearing 18-3
 - clutch 18-3
 - drive clutch 18-5
 - drive clutch hub 18-5
 - driven clutch cam 18-5
 - flywheel 18-7
 - seal 18-9
 - special use tool 18-9
 - pulley
 - clutch 12-3
 - drive clutch 12-5
 - starter-generator 6-51
 - pump, impulse fuel 10-5
 - push rod 7-9, 8-9, 9-9
- ## R
- race, front hub bearing 5-31, 5-33
 - rack and pinion drag link 5-11
 - rack guide pressure spring 5-11, 5-37
 - rack, steering 5-11, 5-37
 - ratchet, park brake 4-7, 4-9
 - reamer, valve guide 18-9
 - rear bumper 1-49
 - rear fender 1-45, 1-49
 - rear spring shackle 5-35, 5-39, 5-41, 5-43
 - receptacle 14-35
 - receptacle backing plate 14-35, 17-11, 17-13
 - receptacle, AC cord 17-9
 - receptacle, battery charger 14-35
 - rectifier with heatsink 17-5, 17-7, 17-9, 17-11, 17-13
 - reel cord 17-11, 17-13
 - regulator, 12-volt 14-39
 - regulator, voltage 6-31, 6-33, 6-35, 6-37, 6-39
 - relay 6-35, 6-37, 17-7, 17-9, 17-13
 - relay mounting bracket 6-35, 6-37, 17-7, 17-11, 17-13
 - relay, 12-volt 6-27
 - relay, charger board 17-3
 - remover, bearing and oil seal 18-3
 - resistor assembly 14-37, 14-45, 14-47, 14-49
 - resistor wire assembly 14-13
 - retainer
 - accelerator pedal spring 4-25, 4-27
 - bearing 15-3, 15-5, 15-7
 - brake shoe 4-5, 4-11
 - cable 13-11
 - headlight 6-29, 14-15
 - shock absorber cushion 5-35, 5-39, 5-41, 5-43, 5-45
 - spring 5-35, 5-39
 - spring (drive clutch) 12-3, 12-5
 - valve spring 7-9, 8-9, 9-9
 - retaining bracket 10-25
 - retaining ring 5-3, 5-5
 - retaining ring pliers 18-9
 - return spring bumper 4-25, 4-27
 - reverse buzzer 6-27, 6-41, 6-45, 6-57, 14-21, 14-23, 14-57
 - rigging, brush 15-3, 15-5, 15-7
 - rim, wheel 2-9, 2-11
 - rim, wheel, silver 2-9, 2-11
 - rim, wheel, white 2-3, 2-5, 2-7
 - ring
 - piston 7-13, 8-13, 9-13
 - retaining 5-3, 5-5, 6-31, 6-33, 6-35, 6-37, 6-39, 12-3, 12-5, 12-11, 12-13, 13-9
 - snap 5-11, 5-37, 7-9, 7-13, 8-9, 8-13, 9-9, 9-13
 - spiral backup 12-3, 12-5
 - synchronizer 13-5
 - ring, C-type stop 5-11, 5-37
 - ring, piston 8-13, 9-13
 - rivet, blind push 1-3, 1-5, 1-7, 1-9
 - rocker arm 7-9, 8-9, 9-9
 - rocker case 7-9, 8-9, 9-9
 - rocker case gasket 7-9, 8-9, 9-9
 - rocker shaft 7-9, 8-9, 9-9
 - rocker switch 14-33
 - rod
 - accelerator 4-29, 4-31, 4-33
 - accelerator pivot 4-25, 4-27
 - battery hold-down 14-41, 14-55
 - clip 1-41
 - connecting 7-13, 8-13, 9-13
 - crankshaft 7-13, 8-13, 9-13
 - equalizer 4-13, 4-17, 4-19, 4-21, 4-23
 - hill brake 4-7, 4-9
 - prop 1-25, 1-41
 - push 7-9, 8-9, 9-9
 - shift 13-5
 - tie 5-19, 5-23
 - rotor, oil pump and 7-7, 8-7, 9-7
 - RPM limiter 7-5, 8-5, 9-5
 - RPM limiter bracket 7-5, 8-5, 9-5
 - RPM limiter damper 7-5, 8-5, 9-5
 - RPM limiter mount band 7-5, 8-5, 9-5
- ## S
- safety first card 18-9
 - score card clip 5-7
 - score card plate 5-7
 - screen, oil filter 7-11, 8-11, 9-11
 - screw, valve clearance adjuster 18-9
 - seal
 - bearing 5-3, 5-5
 - bed 1-19, 1-21
 - crankshaft 7-11
 - intake 10-19
 - lip 16-5
 - oil 7-9, 7-13, 8-9, 8-11, 8-13, 9-9, 9-11, 9-13, 13-3, 13-5, 13-7, 16-5
 - steering pinion dust 5-11, 5-37
 - vertical socket dust 5-11, 5-19, 5-23
 - seal puller 18-9
 - sealant 13-3, 16-5
 - seat
 - spring 7-9, 8-9, 9-9
 - valve 7-7, 8-7, 9-7
 - seat back 1-17
 - seat back assembly 1-17
 - seat back cap 1-17

INDEX

- seat back, white 1-17
- seat bottom assembly 1-15
- seat bumper 1-15
- seat cover, vinyl 1-15
- seat strap 1-15
- seat support panel assembly 1-17
- seat, bearing 5-3, 5-5
- sending unit, fuel gauge 10-7
- sensor, motor speed 15-5, 15-7, 15-9, 15-11
- sensor, oil level 7-11, 8-11, 9-11
- sensor, speed 15-5, 15-7
- set, brush and screw 6-51
- set, pole 6-51
- shackle plate 5-45
- shackle, rear spring 5-35, 5-39, 5-41, 5-43
- shaft
 - change 13-3
 - counterbalance guide 7-13, 8-13, 9-13
 - input 16-5
 - intermediate 16-5
 - rocker 7-9, 8-9, 9-9
 - transmission 13-5
- shield, air duct 10-21, 10-23
- shield, governor 10-13
- shift fork 13-5
- shift rod 13-5
- shifter base, FNR 13-9
- shifter bracket 13-3, 13-11, 13-13, 13-15, 13-17
- shim, camshaft 8-11, 9-11
- shim, crankshaft 7-13, 8-13, 9-13
- shim, latch plate 1-23
- shim, tilt bed pivot 1-19, 1-21, 1-41
- shock absorber 5-15, 5-19, 5-23, 5-27, 5-41, 5-43, 5-45
- shock absorber (rear) 5-35, 5-39
- shock absorber cushion 5-35, 5-39, 5-41, 5-43, 5-45
- shock absorber cushion retainer 5-35, 5-39, 5-41, 5-43, 5-45
- shock mounting bracket 5-35, 5-39, 5-45
- shoe, brake 4-3, 4-5, 4-11
- shroud 8-3, 9-3
- shroud, engine 7-3, 8-3, 9-3
- shroud, fan 7-3, 8-3, 9-3
- side panel 1-27
- sleeve
 - delta A-plate 5-15, 5-19, 5-23, 5-27
 - governor 13-5
 - park brake rod 4-7, 4-9
 - synchronizer 13-5
- snap ring 5-11, 5-37, 7-9, 7-13, 8-9, 8-13, 9-9, 9-13
- snubber bracket 7-15, 8-15, 9-15, 9-17
- snubber, inner frame 7-15, 8-15, 9-15, 9-17
- socket 5-11, 5-19, 5-23
- solenoid, 12-volt 6-31, 6-33, 6-35, 6-37, 6-39
- solenoid, 48-volt 14-37, 14-45, 14-47, 14-49
- spacer 1-9
 - accelerator pivot rod 4-25, 4-27
 - overload bumper 5-35, 5-39
 - park brake 4-7, 4-9
- spanner wrench 18-9
- spark plug 7-5, 8-5, 9-5
- spark plug cap 7-5
- speed controller 14-37, 14-45, 14-47, 14-49
- speed controller connector 14-45
- speed controller cover 14-45
- speed sensor 15-5, 15-7, 15-9, 15-11
- speed sensor magnet 15-5, 15-7, 15-9, 15-11
- speed sensor, motor 15-5, 15-7, 15-9, 15-11
- spindle 5-31
- spiral backup ring 12-3, 12-5
- spray, battery terminal protector 18-3
- spring
 - accelerator return 4-25, 4-27
 - brake 4-5, 4-11
 - brake return 4-17, 4-19, 4-21, 4-23
 - brush 6-51, 15-3, 15-5, 15-7, 15-9, 15-11
 - camshaft 8-11
 - compression 5-7, 10-21
 - drive button 12-3, 12-5
 - drive clutch 12-3, 12-5
 - driven clutch 12-11
 - engine valve 7-9
 - extension return 10-19
 - forward/reverse cam 13-9
 - latch tilt 1-27, 1-33
 - leaf 5-35, 5-39, 5-41, 5-43, 5-45
 - park brake torsion 4-7, 4-9
 - rack guide pressure 5-11, 5-37
 - shifter 13-5
 - steering shaft compression 5-3, 5-5
 - synchronizer 13-5
 - throttle return 10-13, 10-15
 - valve 8-9, 9-9
- spring cup 4-25, 4-27
- spring mounting plate 5-17, 5-21, 5-25, 5-29
- spring retainer 5-35, 5-39
- spur gear 7-13, 8-13, 9-13, 13-5
- stabilizer bar 5-47, 5-49
- stabilizer bar link 5-47, 5-49
- stabilizer bar mounting bracket 5-47, 5-49
- stake side bracket 1-39
- stand-offs, plastic 17-3
- starter/generator 6-51
- starter/generator belt 6-53, 12-3, 12-5
- starter/generator pulley 6-51
- stator shell and winding 15-3, 15-5, 15-7
- steel bushing 1-19, 1-21, 1-41, 5-17, 5-21, 5-25, 5-29, 5-35, 5-39, 5-41, 5-43, 5-45
- steel pressure relief ball 7-7, 8-7, 9-7
- steering column 5-3, 5-5
- steering column bearing press tool 18-9
- steering column retaining ring tool 18-9
- steering gear box 5-11, 5-37
- steering joint 5-5
- steering pinion 5-11, 5-37
- steering pinion dust seal 5-11, 5-37
- steering rack 5-11, 5-37
- steering shaft assembly 5-3, 5-5
- steering shaft column 5-3, 5-5
- steering shaft compression spring 5-3, 5-5
- steering wheel 5-7, 5-9
- steering wheel plate 5-9
- steering wheel puller tool 18-9
- stem, valve 2-3, 2-5, 2-7, 2-9, 2-11
- stiffener 1-15
- stiffener, flywheel side 7-15, 8-15, 9-15, 9-17
- stiffener, PTO side 8-15, 9-15, 9-17
- strap, A-plate 5-15, 5-19, 5-23, 5-27
- strap, fuel tank 10-3, 10-5
- strap, seat 1-15
- stud 7-15, 8-15, 9-15, 9-17
 - lug 13-7, 16-5
 - self-clinching 1-29, 1-31, 1-35
- stud, ball 6-31, 6-33, 6-35, 6-37, 6-39, 13-3, 13-9
- support yoke (steering) 5-11, 5-37
- support, bushing 5-47, 5-49
- suppressor, voltage 6-27, 14-21, 17-5, 17-7, 17-9, 17-11, 17-13
- suspension, front 5-15
- switch
 - FNR 14-31
 - four-position 17-7, 17-9, 17-13
 - key 6-41, 6-45, 6-47, 6-49, 14-23, 14-27
 - light 6-43, 6-47, 6-49, 14-25, 14-27
 - limit 6-31, 6-33, 6-35, 6-37, 6-39, 6-47, 6-49, 13-9, 14-27, 14-31
 - rocker 14-33
 - Tow/Run 14-33
- switch rubber boot 14-33
- synchro gear 13-5
- synchronizer clutch hub 13-5
- synchronizer insert 13-5
- synchronizer sleeve 13-5
- synchronizer spring 13-5
- system, exhaust 11-3, 11-5

T

- 12-volt solenoid 6-31, 6-33, 6-35, 6-37, 6-39
- tachometer 18-9
- tachometer probe, diesel 18-9
- tail light bulb 6-57, 14-55
- tailgate 1-27, 1-33
- tailgate angle 1-31, 1-35
- tailgate mounting bracket 1-29
- taillight 6-57, 14-55
- taillight gasket 6-57, 14-55

INDEX

- taillight lens 6-57, 14-55
taillight mounting kit 1-27, 1-33
taillskirt 1-45, 1-47, 1-49
tank, fuel 10-7
tape 10-21, 10-23
tape, vinyl foam 1-19, 1-21, 1-39
tappet 7-11
terminal block 6-27, 14-21, 14-39, 14-45
tester, continuity 18-5
thermometer, battery 18-3
thread-forming grease fitting 5-11, 5-19, 5-23, 5-31, 5-33
throttle return spring 10-13, 10-15
throttle spring return bracket 10-13, 10-15
thrust bearing 5-17, 5-21, 5-25, 5-29
thrust plate 13-5, 13-7
tie rod 5-19, 5-23
tie rod end 5-15, 5-27
tie wrap 5-11, 5-37, 6-27, 6-31, 6-33, 6-35, 6-37, 6-39, 6-43, 10-25, 14-5, 14-21, 14-23, 14-25, 14-33, 14-39, 14-45, 14-47, 14-49
tilt bed 1-19, 1-21
tilt bed frame 1-21
tilt latch hand grip 1-19, 1-21, 1-27, 1-33
tire 2-3, 2-5, 2-7, 2-9, 2-11
tire and wheel assembly 2-3, 2-5, 2-7
tool
 accelerator pedal adjustment 18-3
 belt tensioning, starter/generator 18-11
 brake adjustment 18-3
 brake cable release 18-3
 brake pedal adjustment 18-3
 brake pedal tension 18-3
 cam installation 18-3
 carburetor float level 18-7
 charger bezel 18-3
 clutch alignment 18-5
 cT-wrench 18-5
 drive clutch fixed sheave 18-5
 drive clutch holder 18-5
 drive clutch spider removal 18-5
 driven clutch spring compression base 18-5
 driven clutch spring compression collar 18-5
 driven clutch spring compression nut 18-5
 governor shaft installation 18-7
 puller, special use 18-9
 steering column bearing press 18-9
 steering column retaining ring 18-9
 steering wheel puller 18-9
 transaxle axle seal 18-9
 transaxle pinion seal 18-9
 transmission 18-9
 valve guide driver 18-9
 valve seat cutter 18-5
tool kit, clutch 18-5
touch-up paint 18-7
Tow/Run switch 14-33
Tow/Run switch bracket 14-33
track, prop rod 1-25
trailer hitch 1-43
trailer hitch brace 1-43
transaxle 16-3, 16-5
transaxle axle seal tool 18-9
transaxle housing 16-5
transaxle pinion seal tool 18-9
transaxle, unitized 13-3
transformer, battery charger 17-5, 17-7, 17-9, 17-11, 17-13
transmission cable 13-11, 13-13, 13-15
transmission shaft 13-5
transmission tool 18-9
trim
 cowl 1-3, 1-5, 1-7, 1-9
 long bed 1-39
 seat bottom 1-17
tube
 crankcase vent 10-13, 10-15
 oil filler 7-3, 8-3, 9-3
tune-up kit 18-9
turn signal lens 6-29, 14-15
T-wrench tool 18-5
- U**
U-bolt 5-35, 5-39
u-bolt 5-41, 5-43, 5-45
unitized transaxle 13-3
upper delta clevis 5-17, 5-21, 5-25, 5-29
urethane bushing 1-19, 1-21, 1-41, 5-15, 5-17, 5-19, 5-21, 5-23, 5-25, 5-27, 5-29, 5-35, 5-39, 5-41, 5-43, 5-45
- V**
valve
 choke 10-19
 exhaust 7-9, 8-9, 9-9
 fuel pickup tube 10-7
 intake 7-9, 8-9, 9-9
 reed 7-9, 8-9, 9-9
valve clearance adjuster screw 18-9
valve guide 8-9, 9-9
valve guide driver tool 18-9
valve guide reamer 18-9
valve guide, intake 7-9, 8-9, 9-9
valve seat 7-7, 8-7, 9-7
valve seat cutter 18-5, 18-11
valve seat cutter guide 18-11
valve seat cutter tool 18-5
valve seat t-wrench 18-11
valve spring 8-9, 9-9
valve spring compressor 18-11
valve spring retainer 7-9, 8-9, 9-9
valve stem 2-3, 2-5, 2-7, 2-9, 2-11
vent barb 10-3, 10-5, 10-7
vertical socket dust seal 5-11, 5-19, 5-23
volt ohm meter 18-11
voltage limiter 6-27, 6-43, 14-39
voltage limiter gasket 14-39
voltage regulator 6-31, 6-33, 6-35, 6-37, 6-39
voltage suppressor 6-27, 14-21, 17-5, 17-7, 17-9, 17-11, 17-13
- W**
warning light, low oil 6-41, 6-45, 6-47, 6-49
wedge, bearing puller 18-3
weight
 clutch 12-3, 12-5
 counterbalance 7-13, 8-13, 9-13
 secondary clutch 12-3, 12-5
weldment
 press 18-5
weldment, tilt bed frame 1-21
wheel 2-3, 2-5, 2-7
wheel and tire assembly 2-3, 2-5, 2-7
wheel rim 2-9, 2-11
wheel rim, silver 2-9, 2-11
wheel rim, white 2-3, 2-5, 2-7
wheel, steering 5-7, 5-9
wire harness 6-5, 6-9, 6-13, 6-17, 6-21, 6-25, 6-31, 6-33, 6-35, 6-37, 6-39, 14-5, 14-9, 14-13, 14-19
wire harness, headlight 6-13, 6-43, 14-25
woodruff key 13-3
wrap, tie 5-11, 5-37, 6-27, 6-31, 6-33, 6-35, 6-37, 6-39, 6-43, 10-25, 14-5, 14-21, 14-23, 14-25, 14-33, 14-39, 14-45, 14-47, 14-49
wrench, spanner 18-9
- Y**
yoke, gear 18-7
yoke, support (steering) 5-11, 5-37



Club Car, Inc.
P.O. Box 204658
Augusta, GA 30917-4658
USA

Web www.clubcar.com
Phone 1.706.863.3000
1.800.ClubCar
Int'l +1 706.863.3000
Fax 1.706.863.5808