

**PARTS CATALOGUE**  
**MODEL YEAR 2004-2005**  
**G27AZ (JU71)**

STARTING SERIAL NO.: JU7-000101 and following

OWNERS LIT-19626-01-08  
ASSEMBLY LIT-11666-01-08  
SERVICE LIT-11616-01-08

**CONTENTS**

ACCELERATOR	C1
AIR SHROUD FAN	A8
BODY	C11-12
BODY 2	D1
BODY FITTING	D2
BRAKE	B9-10
BRAKE 2	B11
BRAKE 3	B12
BUMPER	C10
CAMSHAFT VALVE	A7
CARBURETOR	A10
CARRIER	D3
CRANKCASE	A12
CRANKSHAFT PISTON	A6
CYLINDER HEAD	A5
ELECTRICAL 1	D8
ELECTRICAL 2	D9-10
ENGINE ASSEMBLY	A4
ENGINE BRACKET	B1
EXHAUST	A11
FRAME	B3
FRONT SUSPENSION WHEEL	B4-5
FUEL TANK	B8
GOVERNOR	C2
HEADLIGHT	D7
INTAKE	A9
PRIMARY SHEAVE	C3
REAR ARM SUSPENSION	B2
REAR AXLE MOUNT WHEEL	C8
SEAT	D4
SECONDARY SHEAVE	C4
SHIFTER CABLES	C9
STARTING MOTOR	D5-6
STEERING	B6-7
TRANSMISSION 1	C5-7

## FOREWORD

This Parts Catalogue is related to the parts for the model(s) on the cover page. When you are ordering replacement parts, please refer to this Parts Catalogue and quote both part numbers and part names correctly.

1. Modifications or additions which have been made after the issue of the Parts Catalogue will be announced in the Parts News.  
It is advisable that you make the necessary corrections to the Parts Catalogue according to the Parts News.

2. Abbreviations  
The following abbreviations are used in this Parts Catalogue.

"UR" Use specified parts number.

"UN" Use as many as needed.

"AP" Alternate Parts

"LM" Locally Made (Parts need to be ordered locally)

"F#" Frame No. (Applicable machine No.)

"O/S" Over Size

3. The number of components for assembly
  - Parts, which are to be supplied in an assembly, are listed with a dot (.) in front of the part name as shown below.
  - The numeral appearing to the right of each component part indicates the quantity of parts for each assembly unit.

PART NO.	DESCRIPTION	Q'TY	REMARKS
2F5-83310-60	FRONT FLASHER LIGHT ASSY	2	
115-83311-60	.BULB (6V-18W)	1	

4. Applicable colours of graphics are represented in the "REMARKS" as shown below.

PART NO.	DESCRIPTION	Q'TY	REMARKS
2N4-24110-00-X5	FUEL TANK COMP.	2	MXR
3J1-24240-10	.GRAPHIC, FUEL TANK	1	FOR MXR

5. Note that the illustrations for reference in finding parts numbers are not to be used for assembling. When assembling, please use the applicable service manual.

6. The asterisk (\*) before a reference number indicates modified items after the first edition.

## CONTENTS

ACCELERATOR	C1
AIR SHROUD FAN	A8
BODY	C11-12
BODY 2	D1
BODY FITTING	D2
BRAKE	B9-10
BRAKE 2	B11
BRAKE 3	B12
BUMPER	C10
CAMSHAFT VALVE	A7
CARBURETOR	A10
CARRIER	D3
CRANKCASE	A12
CRANKSHAFT PISTON	A6
CYLINDER HEAD	A5
ELECTRICAL 1	D8
ELECTRICAL 2	D9-10
ENGINE ASSEMBLY	A4
ENGINE BRACKET	B1
EXHAUST	A11
FRAME	B3
FRONT SUSPENSION WHEEL	B4-5
FUEL TANK	B8
GOVERNOR	C2
HEADLIGHT	D7
INTAKE	A9
PRIMARY SHEAVE	C3
REAR ARM SUSPENSION	B2
REAR AXLE MOUNT WHEEL	C8
SEAT	D4
SECONDARY SHEAVE	C4
SHIFTER CABLES	C9
STARTING MOTOR	D5-6
STEERING	B6-7
TRANSMISSION 1	C5-7

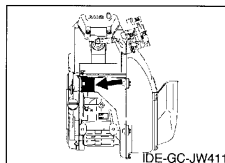
**CONTENTS**

ACCELERATOR	C1
AIR SHROUD FAN	A8
BODY	C11-12
BODY 2	D1
BODY FITTING	D2
BRAKE	B9-10
BRAKE 2	B11
BRAKE 3	B12
BUMPER	C10
CAMSHAFT VALVE	A7
CARBURETOR	A10
CARRIER	D3
CRANKCASE	A12
CRANKSHAFT PISTON	A6
CYLINDER HEAD	A5
ELECTRICAL 1	D8
ELECTRICAL 2	D9-10
ENGINE ASSEMBLY	A4
ENGINE BRACKET	B1
EXHAUST	A11
FRAME	B3
FRONT SUSPENSION WHEEL	B4-5
FUEL TANK	B8
GOVERNOR	C2
HEADLIGHT	D7
INTAKE	A9
PRIMARY SHEAVE	C3
REAR ARM SUSPENSION	B2
REAR AXLE MOUNT WHEEL	C8
SEAT	D4
SECONDARY SHEAVE	C4
SHIFTER CABLES	C9
STARTING MOTOR	D5-6
STEERING	B6-7
TRANSMISSION 1	C5-7

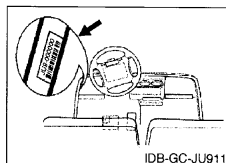
**FOREWORD**

7. Applicable Serial No.

Engine Serial No.



Frame Serial No.



8. Applicable Colour Code (The (\*) mark shows Model colour.)

Abbreviation	Colour Name	Colour Code

10. Applicable Starting Serial No.

Frame Serial No.

Serial No.	Name Of Q'ty Column	Model Code
<b>JU7-000101</b>	<b>JU71</b>	<b>JU71</b>

9. Quantity Column Information

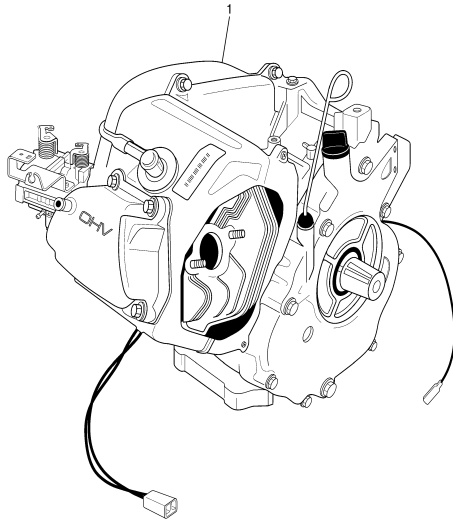
Column No.	Name Of Q'ty Column	Destination
1	<b>JU71</b>	U.S.A

# ENGINE ASSEMBLY

Ref. No.	Part Number	Description	Qty	Remarks
1	JR6-19001-00-00	ENGINE ASSEMBLY .....	1	

## CONTENTS

ACCELERATOR	C1
AIR SHROUD FAN	A8
BODY	C11-12
BODY 2	D1
BODY FITTING	D2
BRAKE	B9-10
BRAKE 2	B11
BRAKE 3	B12
BUMPER	C10
CAMSHAFT VALVE	A7
CARBURETOR	A10
CARRIER	D3
CRANKCASE	A12
CRANKSHAFT PISTON	A6
CYLINDER HEAD	A5
ELECTRICAL 1	D8
ELECTRICAL 2	D9-10
ENGINE ASSEMBLY	A4
ENGINE BRACKET	B1
EXHAUST	A11
FRAME	B3
FRONT SUSPENSION WHEEL	B4-5
FUEL TANK	B8
GOVERNOR	C2
HEADLIGHT	D7
INTAKE	A9
PRIMARY SHEAVE	C3
REAR ARM SUSPENSION	B2
REAR AXLE MOUNT WHEEL	C8
SEAT	D4
SECONDARY SHEAVE	C4
SHIFTER CABLES	C9
STARTING MOTOR	D5-6
STEERING	B6-7
TRANSMISSION 1	C5-7



JW41110-C010

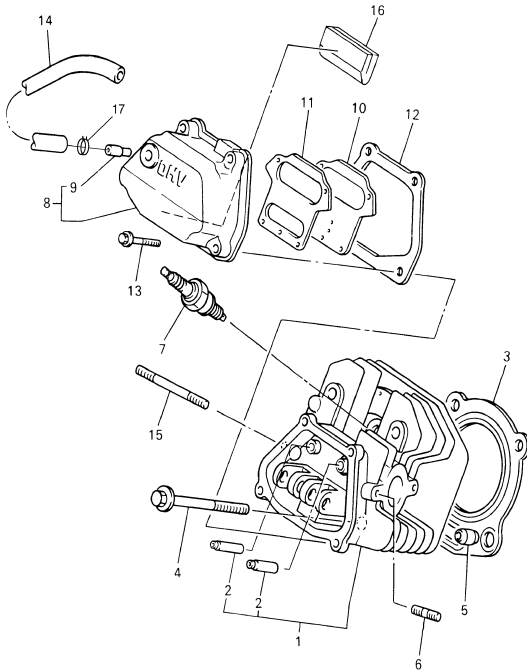
A4

## CYLINDER HEAD

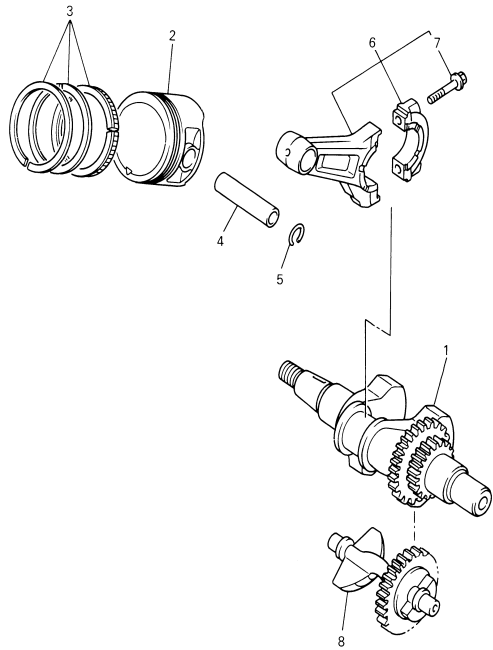
Ref. No.	Part Number	Description	Qty	Remarks
1	JT0-11111-00-00	HEAD, CYLINDER 1	1	
2	JN6-11133-10-00	. GUIDE, VALVE 1	2	
3	JT0-11181-00-00	GASKET, CYLINDER HEAD 1	1	
4	95817-10070-00	BOLT, FLANGE	4	
5	99530-14016-00	PIN, DOWEL	2	
6	95627-08618-00	BOLT, STUD	2	
7	94702-00343-00	PLUG, SPARK (NGK BP4ES)	1	AP
	94702-00348-00	PLUG, SPARK (NGK-BPR2ES)	1	STD
8	JN6-11191-01-00	COVER, CYLINDER HEAD 1	1	
9	JN6-11116-00-00	. JOINT, BREATHER	1	
10	JN6-11168-00-00	COVER, BREATHER	1	
11	JN6-11169-00-00	GASKET, BREATHER COVER	1	
12	JN6-11193-00-00	GASKET, HEAD COVER 1	1	
13	95827-06030-00	BOLT, FLANGE	4	
14	JN6-E1166-00-00	PIPE, BREATHER 1	1	
15	95607-08710-00	BOLT, STUD	2	
16	JR7-11163-00-00	ELEMENT	1	
17	90467-13847-00	CLIP	2	

## CONTENTS

ACCELERATOR	C1
AIR SHROUD FAN	A8
BODY	C11-12
BODY FITTING	D1
BRAKE	D2
BRAKE 2	B9-10
BRAKE 3	B11
BUMPER	B12
CAMSHAFT VALVE	C10
CARBURETOR	A7
CARRIER	A10
CRANKCASE	D3
CRANKSHAFT PISTON	A12
CYLINDER HEAD	A6
ELECTRICAL 1	A5
ELECTRICAL 2	D8
ENGINE ASSEMBLY	D9-10
ENGINE BRACKET	A4
EXHAUST	B1
FRAME	A11
FRONT SUSPENSION WHEEL	B3
FUEL TANK	B4-5
GOVERNOR	B8
HEADLIGHT	C2
INTAKE	D7
PRIMARY SHEAVE	A9
REAR ARM SUSPENSION	C3
REAR AXLE MOUNT WHEEL	B2
SEAT	C8
SECONDARY SHEAVE	D4
SHIFTER CABLES	C4
STARTING MOTOR	C9
STEERING	D5-6
TRANSMISSION 1	B6-7
	C5-7



JT01010-0011



## CRANKSHAFT PISTON

Ref. No.	Part Number	Description	Qty	Remarks
1	JN6-11400-00-00	CRANKSHAFT ASSY .....	1	
2	JR7-11631-00-A0	PISTON (STD) .....	1	
	JR7-11635-00-00	PISTON (0.25MM O/S) .....	1	AP
	JR7-11636-00-00	PISTON (0.50MM O/S) .....	1	AP
3	JR7-11610-00-00	PISTON RING SET (STD) .....	1	
	JR7-11610-10-00	PISTON RING SET (0.25MM O/S) .....	1	AP
	JR7-11610-20-00	PISTON RING SET (0.50MM O/S) .....	1	AP
4	583-11633-00-00	PIN, PISTON .....	1	
5	93450-21053-00	CIRCLIP .....	2	
6	JN6-11650-00-00	CONNECTING ROD ASSY ....	1	
7	JN6-11654-00-00	. BOLT, CONNECTING ROD ..	2	
8	JN6-11454-00-00	WEIGHT 1 .....	1	

## CONTENTS

ACCELERATOR	C1
AIR SHROUD FAN	A8
BODY	C11-12
BODY 2	D1
BODY FITTING	D2
BRAKE	B9-10
BRAKE 2	B11
BRAKE 3	B12
BUMPER	C10
CAMSHAFT VALVE	A7
CARBURETOR	A10
CARRIER	D3
CRANKCASE	A12
CRANKSHAFT PISTON	A6
CYLINDER HEAD	A5
ELECTRICAL 1	D8
ELECTRICAL 2	D9-10
ENGINE ASSEMBLY	A4
ENGINE BRACKET	B1
EXHAUST	A11
FRAME	B3
FRONT SUSPENSION WHEEL	B4-5
FUEL TANK	B8
GOVERNOR	C2
HEADLIGHT	D7
INTAKE	A9
PRIMARY SHEAVE	C3
REAR ARM SUSPENSION	B2
REAR AXLE MOUNT WHEEL	C8
SEAT	D4
SECONDARY SHEAVE	C4
SHIFTER CABLES	C9
STARTING MOTOR	D5-6
STEERING	B6-7
TRANSMISSION 1	C5-7



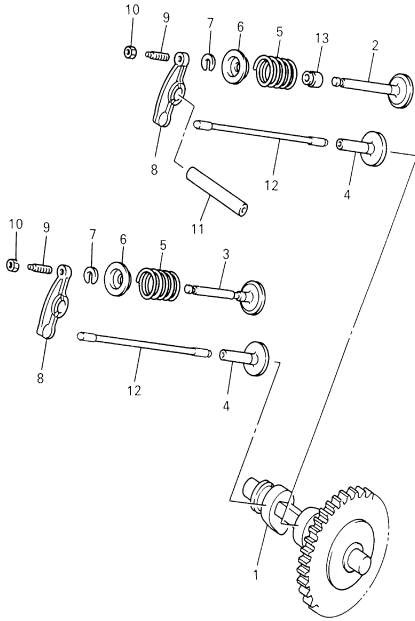
JN7010-6020

## CAMSHAFT VALVE

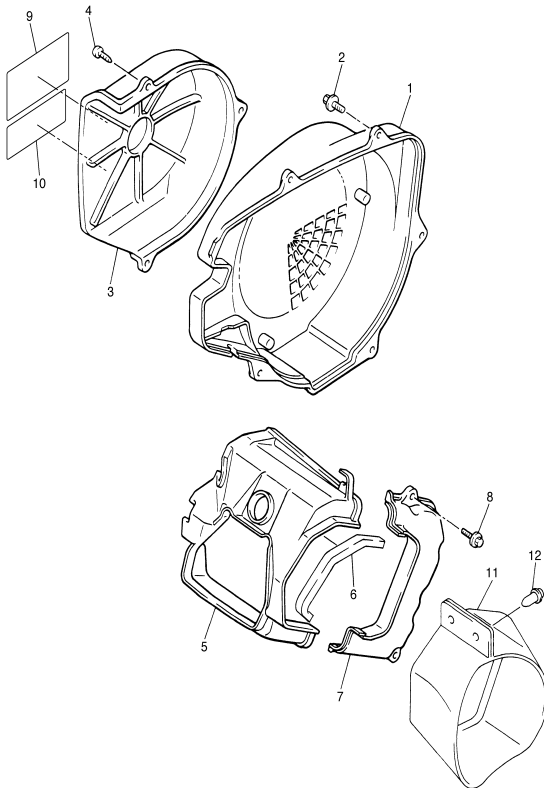
Ref. No.	Part Number	Description	Qty	Remarks
1	JR7-12170-00-00	CAMSHAFT ASSY 1	1	
2	JN6-12111-01-00	VALVE, INTAKE	1	
3	7RH-12121-00-00	VALVE, EXHAUST	1	
4	JN6-12153-00-00	LIFTER, VALVE	2	
5	90501-264A9-00	SPRING, COMPRESSION	2	
6	J38-12117-01-00	RETAINER, VALVE SPRING	2	
7	J38-12118-00-00	COTTER, VALVE	2	
8	JN6-12151-00-00	ARM, VALVE ROCKER	2	
9	22F-12159-00-00	SCREW, VALVE ADJUSTING	2	
10	90170-05302-00	NUT	2	
11	J38-12156-00-00	SHAFT, ROCKER 2	1	
12	JR7-12154-01-00	ROD, VALVE PUSH	2	
13	4G0-12119-00-00	SEAL, VALVE STEM	1	

## CONTENTS

ACCELERATOR	C1
AIR SHROUD FAN	A8
BODY	C11-12
BODY 2	D1
BODY FITTING	D2
BRAKE	B9-10
BRAKE 2	B11
BRAKE 3	B12
BUMPER	C10
CAMSHAFT VALVE	A7
CARBURETOR	A10
CARRIER	D3
CRANKCASE	A12
CRANKSHAFT PISTON	A6
CYLINDER HEAD	A5
ELECTRICAL 1	D8
ELECTRICAL 2	D9-10
ENGINE ASSEMBLY	A4
ENGINE BRACKET	A1
EXHAUST	B11
FRAME	B3
FRONT SUSPENSION WHEEL	B4-5
FUEL TANK	B8
GOVERNOR	C2
HEADLIGHT	D7
INTAKE	A9
PRIMARY SHEAVE	C3
REAR ARM SUSPENSION	B2
REAR AXLE MOUNT WHEEL	C8
SEAT	D4
SECONDARY SHEAVE	C4
SHIFTER CABLES	C9
STARTING MOTOR	D5-6
STEERING	B6-7
TRANSMISSION 1	C5-7



JT01010-0030



## AIR SHROUD FAN

Ref. No.	Part Number	Description	Qty	Remarks
1	JN6-12621-00-00	CASE, FAN	1	
2	95807-06020-00	BOLT, FLANGE	5	
3	JN6-12616-00-00	COVER, FAN CASE	1	
4	97707-60520-00	SCREW, TAPPING	3	
5	JN6-12651-00-00	AIR SHROUD, CYLINDER 1	1	
6	JR7-12658-00-00	DAMPER, AIR SHROUD 1	1	
7	JN6-12652-00-00	AIR SHROUD, CYLINDER 2	1	
8	95807-06020-00	BOLT, FLANGE	2	
9	JR6-2179R-01-00	PLATE, EPA 2 (CALIFORNIA)	1	UR CA
10	7UH-2111F-00-00	LABEL, EMISSION	1	
11	JN6-E2691-00-00	DUCT, 1	1	
12	90269-08813-00	RIVET	2	

## CONTENTS

ACCELERATOR	C1
AIR SHROUD FAN	A8
BODY	C11-12
BODY 2	D1
BODY FITTING	D2
BRAKE	B9-10
BRAKE 2	B11
BRAKE 3	B12
BUMPER	C10
CAMSHAFT VALVE	A7
CARBURETOR	A10
CARRIER	D3
CRANKCASE	A12
CRANKSHAFT PISTON	A6
CYLINDER HEAD	A5
ELECTRICAL 1	D8
ELECTRICAL 2	D9-10
ENGINE ASSEMBLY	A4
ENGINE BRACKET	B1
EXHAUST	A11
FRAME	B3
FRONT SUSPENSION WHEEL	B4-5
FUEL TANK	B8
GOVERNOR	C2
HEADLIGHT	D7
INTAKE	A9
PRIMARY SHEAVE	C3
REAR ARM SUSPENSION	B2
REAR AXLE MOUNT WHEEL	C8
SEAT	D4
SECONDARY SHEAVE	C4
SHIFTER CABLES	C9
STARTING MOTOR	D5-6
STEERING	B6-7
TRANSMISSION 1	C5-7



JW41110-C050

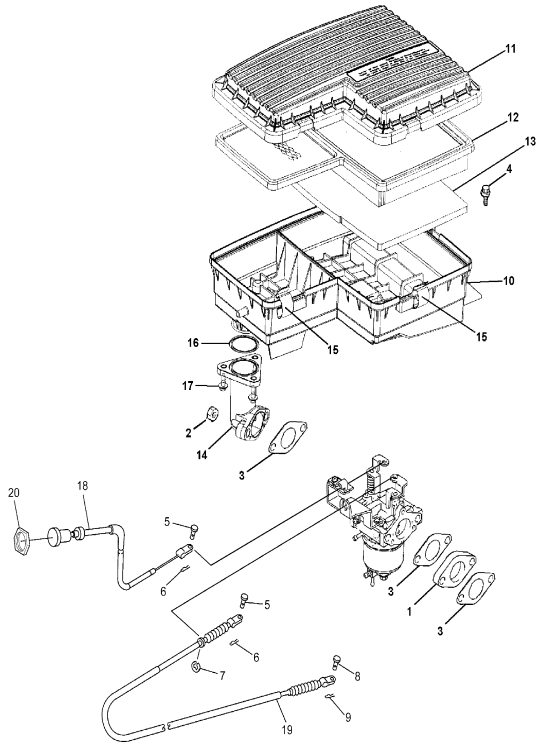


# INTAKE

Ref. No.	Part Number	Description	Qty	Remarks
1	JN6-13595-00-00	JOINT	1	
2	95707-08500-00	NUT, FLANGE	2	
3	JN6-13567-00-00	GASKET	3	
4	90119-06838-00	BOLT, WITH WASHER	2	
5	91701-05010-00	PIN, CLEVIS	2	
6	90468-10049-00	CLIP	2	
7	99001-07600-00	CIRCLIP	1	
8	91701-05010-00	PIN, CLEVIS	1	
9	90468-10049-00	CLIP	1	
10	JN6-E4411-02-00	CASE, AIR CLEANER 1	1	
11	JN6-E4412-01-00	CAP, CLEANER CASE 1	1	
12	JN6-E4450-01-00	ELEMENT ASSY, AIR CLEANER	1	
13	JN6-E445E-00-00	FILTER 1	1	
14	JN6-E3586-01-00	JOINT, CARBURETOR 1	1	
15	JN6-E4424-00-00	CLIP, CAP FITTING	5	
16	93210-398D6-00	O-RING	1	
17	90105-06862-00	BOLT, FLANGE	3	
18	JN6-F6331-11-00	CABLE, STARTER 1	1	
19	JN6-F6312-01-00	CABLE, THROTTLE 2	1	
20	JN6-F6333-10-00	NUT	1	

## CONTENTS

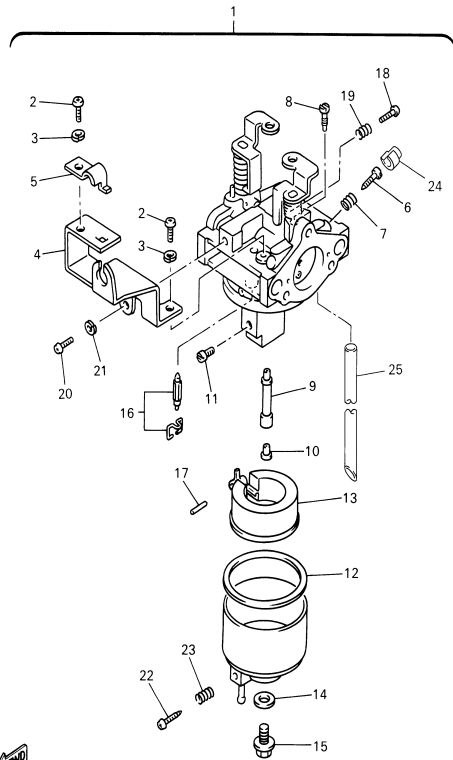
ACCELERATOR	C1
AIR SHROUD FAN	A8
BODY	C11-12
BODY 2	D1
BODY FITTING	D2
BRAKE	B9-10
BRAKE 2	B11
BRAKE 3	B12
BUMPER	C10
CAMSHAFT VALVE	A7
CARBURETOR	A10
CARRIER	D3
CRANKCASE	A12
CRANKSHAFT PISTON	A6
CYLINDER HEAD	A5
ELECTRICAL 1	D8
ELECTRICAL 2	D9-10
ENGINE ASSEMBLY	A4
ENGINE BRACKET	B1
EXHAUST	A11
FRAME	B3
FRONT SUSPENSION WHEEL	B4-5
FUEL TANK	B8
GOVERNOR	C2
HEADLIGHT	D7
INTAKE	A9
PRIMARY SHEAVE	C3
REAR ARM SUSPENSION	B2
REAR AXLE MOUNT WHEEL	C8
SEAT	D4
SECONDARY SHEAVE	C4
SHIFTER CABLES	C9
STARTING MOTOR	D5-6
STEERING	B6-7
TRANSMISSION 1	C5-7



JU0100-5050

# CARBURETOR

## CONTENTS



JR61100-1060

Ref. No.	Part Number	Description	Qty	Remarks
1	JR6-14101-00-00	CARBURETOR ASSY 1	1	
2	98507-05008-00	. SCREW, PAN HEAD	2	
3	92990-05100-00	. WASHER, SPRING	2	
4	JN6-14291-00-00	. BRACKET 1	1	
5	J10-14227-00-00	. PLATE	1	
6	7NJ-14211-00-00	. SCREW, PILOT ADJUSTING	1	
7	73A-14212-10-00	. SPRING	1	
8	732-14142-65-A0	. JET, PILOT (# 65)	1	
9	JN6-1495H-3B-00	. NOZZLE, MAIN	1	
10	73A-1414G-00-00	. PIPE, MAIN BLEED	1	
11	3G2-1423A-67-00	. JET, MAIN (# 82.5)	1	AP
	3G2-1423A-68-A0	. JET, MAIN (# 87.5)	1	STD
	3G2-1423E-33-A0	. JET, MAIN (#83.8)	1	AP
12	796-14184-00-00	. GASKET, FLOAT CHAMBER	1	
13	JN6-14185-00-00	. FLOAT	1	
14	127-14198-00-00	. GASKET	1	
15	7R1-14162-00-00	. BOLT, HOLDING	1	
16	JN5-14150-00-00	. NEEDLE ASSY	1	
17	22F-14186-00-00	. PIN, FLOAT	1	
18	1WG-14922-00-00	. SCREW, THROTTLE	1	
19	73A-14212-10-00	. SPRING	1	
20	98507-04010-00	. SCREW, PAN HEAD	1	
21	92902-04100-00	. WASHER, SPRING	1	
22	7E1-14191-00-00	. PLUG, DRAIN	1	
23	73A-14212-00-00	. SPRING	1	
24	7LV-14118-00-00	. CAP	1	
25	1KT-14197-01-00	. PIPE	1	

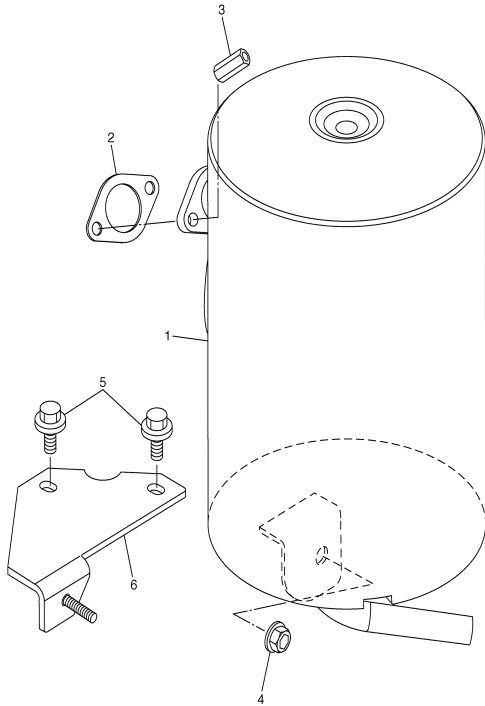
ACCELERATOR	C1
AIR SHROUD FAN	A8
BODY	C11-12
BODY 2	D1
BODY FITTING	D2
BRAKE	B9-10
BRAKE 2	B11
BRAKE 3	B12
BUMPER	C10
CAMSHAFT VALVE	A7
CARBURETOR	A10
CARRIER	D3
CRANKCASE	A12
CRANKSHAFT PISTON	A6
CYLINDER HEAD	A5
ELECTRICAL 1	D8
ELECTRICAL 2	D9-10
ENGINE ASSEMBLY	A4
ENGINE BRACKET	B1
EXHAUST	A11
FRAME	B3
FRONT SUSPENSION WHEEL	B4-5
FUEL TANK	B8
GOVERNOR	C2
HEADLIGHT	D7
INTAKE	A9
PRIMARY SHEAVE	C3
REAR ARM SUSPENSION	B2
REAR AXLE MOUNT WHEEL	C8
SEAT	D4
SECONDARY SHEAVE	C4
SHIFTER CABLES	C9
STARTING MOTOR	D5-6
STEERING	B6-7
TRANSMISSION 1	C5-7

# EXHAUST

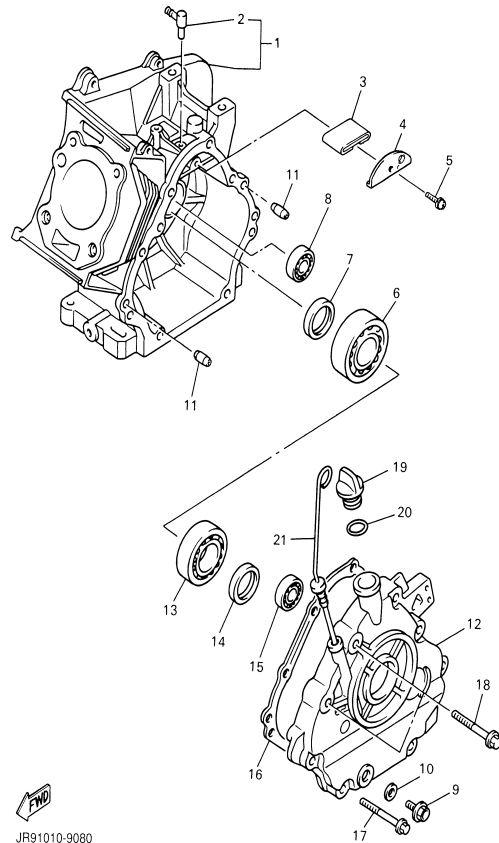
Ref. No.	Part Number	Description	Qty	Remarks
1	JU0-E4710-10-00	MUFFLER ASSY 1	1	
2	7KY-14613-01-00	GASKET, EXHAUST 1	1	
3	90179-08879-00	NUT	2	
4	90185-08841-00	NUT, SELF-LOCKING	1	
5	90119-08825-00	BOLT, WITH WASHER	2	
6	JN6-F1435-10-00	BRACKET, MUFFLER 1	1	

## CONTENTS

ACCELERATOR	C1
AIR SHROUD FAN	A8
BODY	C11-12
BODY 2	D1
BODY FITTING	D2
BRAKE	B9-10
BRAKE 2	B11
BRAKE 3	B12
BUMPER	C10
CAMSHAFT VALVE	A7
CARBURETOR	A10
CARRIER	D3
CRANKCASE	A12
CRANKSHAFT PISTON	A6
CYLINDER HEAD	A5
ELECTRICAL 1	D8
ELECTRICAL 2	D9-10
ENGINE ASSEMBLY	A4
ENGINE BRACKET	B1
EXHAUST	A11
FRAME	B3
FRONT SUSPENSION WHEEL	B4-5
FUEL TANK	B8
GOVERNOR	C2
HEADLIGHT	D7
INTAKE	A9
PRIMARY SHEAVE	C3
REAR ARM SUSPENSION	B2
REAR AXLE MOUNT WHEEL	C8
SEAT	D4
SECONDARY SHEAVE	C4
SHIFTER CABLES	C9
STARTING MOTOR	D5-6
STEERING	B6-7
TRANSMISSION 1	C5-7



JT71010-B070



JR91010-9080

## CRANKCASE

Ref. No.	Part Number	Description	Qty	Remarks
1	JR7-15100-00-00	CRANKCASE ASSY	1	
2	JN6-15155-00-00	. NOZZLE 3	1	
3	JR7-15407-00-00	ELEMENT 1	1	
4	JR7-15123-00-00	PLATE, BUFFLE 1	1	
5	90159-06107-00	SCREW, WITH WASHER	1	
6	93306-30709-00	BEARING	1	
7	93102-35014-00	OIL SEAL	1	
8	93306-20201-00	BEARING (B6202)	1	
9	90340-12097-00	PLUG, STRAIGHT SCREW	1	
10	812-11198-00-00	GASKET	1	
11	99530-08016-00	PIN, DOWEL	2	
12	JN6-15411-00-00	COVER, CRANKCASE 1	1	
13	93306-20714-00	BEARING	1	
14	93102-35014-00	OIL SEAL	1	
15	93306-20201-00	BEARING (B6202)	1	
16	JN6-15451-02-00	GASKET, CRANKCASE COVER 1	1	
17	95817-08045-00	BOLT, FLANGE	6	
18	95817-10050-00	BOLT, FLANGE	2	
19	796-15363-01-00	PLUG, OIL	1	
20	93210-22344-00	O-RING	1	
21	J38-15361-00-00	GAUGE, LEVEL	1	

## CONTENTS

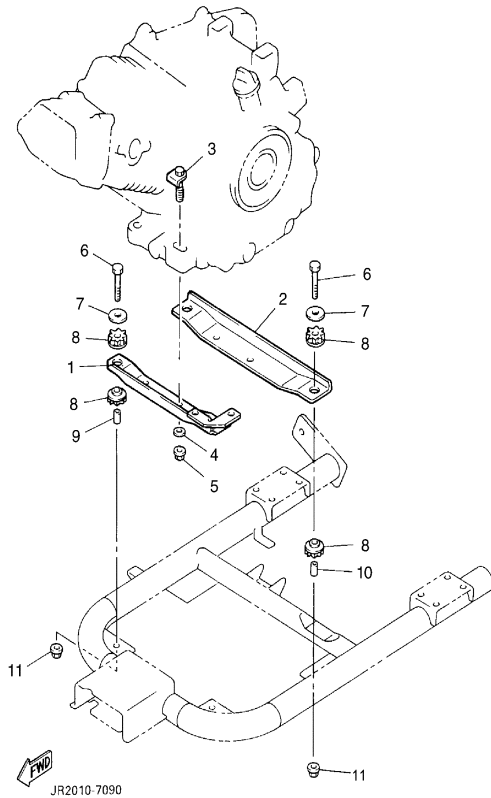
ACCELERATOR	C1
AIR SHROUD FAN	A8
BODY	C11-12
BODY 2	D1
BODY FITTING	D2
BRAKE	B9-10
BRAKE 2	B11
BRAKE 3	B12
BUMPER	C10
CAMSHAFT VALVE	A7
CARBURETOR	A10
CARRIER	D3
CRANKCASE	A12
CRANKSHAFT PISTON	A6
CYLINDER HEAD	A5
ELECTRICAL 1	D8
ELECTRICAL 2	D9-10
ENGINE ASSEMBLY	A4
ENGINE BRACKET	B1
EXHAUST	A11
FRAME	B3
FRONT SUSPENSION WHEEL	B4-5
FUEL TANK	B8
GOVERNOR	C2
HEADLIGHT	D7
INTAKE	A9
PRIMARY SHEAVE	C3
REAR ARM SUSPENSION	B2
REAR AXLE MOUNT WHEEL	C8
SEAT	D4
SECONDARY SHEAVE	C4
SHIFTER CABLES	C9
STARTING MOTOR	D5-6
STEERING	B6-7
TRANSMISSION 1	C5-7

## ENGINE BRACKET

Ref. No.	Part Number	Description	Qty	Remarks
1	JN6-F1411-00-00	BRACKET, ENGINE 1	1	
2	JN6-F1419-02-00	BRACKET, ENGINE 2	1	
3	JN6-F1481-00-00	BOLT, ENGINE MOUNTING 1	4	
4	9290P-10200-00	WASHER	4	
5	9560P-10200-00	NUT, FLANGE	4	
6	90101-08870-00	BOLT	4	
7	90201-088K6-00	WASHER, PLATE	4	
8	JN6-F1486-10-00	DAMPER 2	8	
9	JN6-F1459-00-00	SPACER	2	
10	JN6-F1459-10-00	SPACER	2	
11	90179-08885-00	NUT	4	

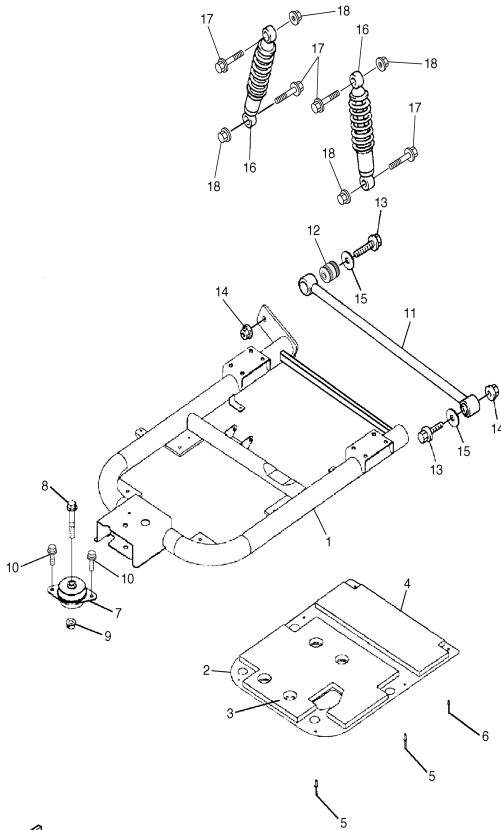
## CONTENTS

ACCELERATOR	C1
AIR SHROUD FAN	A8
BODY	C11-12
BODY 2	D1
BODY FITTING	D2
BRAKE	B9-10
BRAKE 2	B11
BRAKE 3	B12
BUMPER	C10
CAMSHAFT VALVE	A7
CARBURETOR	A10
CARRIER	D3
CRANKCASE	A12
CRANKSHAFT PISTON	A6
CYLINDER HEAD	A5
ELECTRICAL 1	D8
ELECTRICAL 2	D9-10
ENGINE ASSEMBLY	A4
ENGINE BRACKET	B1
EXHAUST	A11
FRAME	B3
FRONT SUSPENSION WHEEL	B4-5
FUEL TANK	B8
GOVERNOR	C2
HEADLIGHT	D7
INTAKE	A9
PRIMARY SHEAVE	C3
REAR ARM SUSPENSION	B2
REAR AXLE MOUNT WHEEL	C8
SEAT	D4
SECONDARY SHEAVE	C4
SHIFTER CABLES	C9
STARTING MOTOR	D5-6
STEERING	B6-7
TRANSMISSION 1	C5-7



B1

# REAR ARM SUSPENSION



Ref. No.	Part Number	Description	Qty	Remarks
1	JU7-F2110-00-00	REAR ARM COMP. ....	1	
2	JN6-F2128-01-00	COVER, THRUST 1 ....	1	
3	JN6-F211E-01-00	PANEL, INNER 1 ....	1	
4	JN6-F211G-01-00	PANEL, INNER 2 ....	1	
5	90267-48850-00	RIVET, BLIND ....	4	
6	90267-40851-00	RIVET, BLIND ....	2	
7	JN6-F2123-10-00	BUSH 1 ....	1	
8	90105-13864-00	BOLT, FLANGE ....	1	
9	90179-13878-00	NUT ....	1	
10	9751P-10620-00	BOLT, WITH WASHER ....	2	
11	JN6-F217G-00-00	ROD, CONNECTING 2 ....	1	
12	JN6-F2124-10-00	BUSH 2 ....	2	
13	9581P-12065-00	BOLT, FLANGE ....	2	
14	9560P-12200-00	NUT, FLANGE ....	2	
15	90201-128S4-00	WASHER, PLATE ....	2	
16	JU7-F2210-00-00	SHOCK ABSORBER ASSY, REAR ....	2	
17	95807-10055-00	BOLT, FLANGE ....	4	
18	95607-10200-00	NUT, U FLANGE ....	4	

## CONTENTS

ACCELERATOR	C1
AIR SHROUD FAN	A8
BODY	C11-12
BODY 2	D1
BODY FITTING	D2
BRAKE	B9-10
BRAKE 2	B11
BRAKE 3	B12
BUMPER	C10
CAMSHAFT VALVE	A7
CARBURETOR	A10
CARRIER	D3
CRANKCASE	A12
CRANKSHAFT PISTON	A6
CYLINDER HEAD	A5
ELECTRICAL 1	D8
ELECTRICAL 2	D9-10
ENGINE ASSEMBLY	A4
ENGINE BRACKET	B1
EXHAUST	A11
FRAME	B3
FRONT SUSPENSION WHEEL	B4-5
FUEL TANK	B8
GOVERNOR	C2
HEADLIGHT	D7
INTAKE	A9
PRIMARY SHEAVE	C3
REAR ARM SUSPENSION	B2
REAR AXLE MOUNT WHEEL	C8
SEAT	D4
SECONDARY SHEAVE	C4
SHIFTER CABLES	C9
STARTING MOTOR	D5-6
STEERING	B6-7
TRANSMISSION 1	C5-7



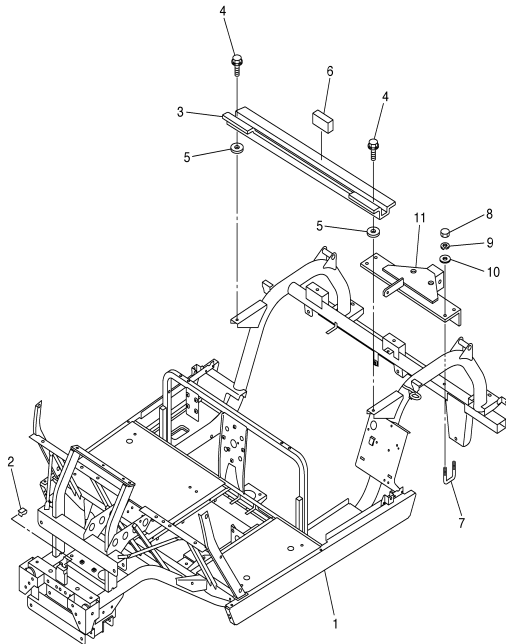
JW41110-C110

# FRAME

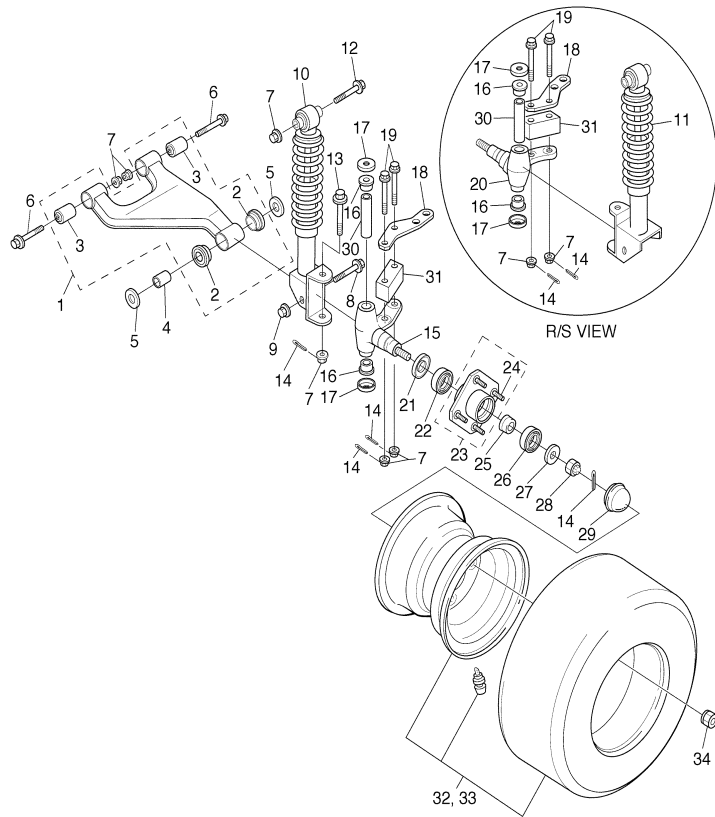
Ref. No.	Part Number	Description	Qty	Remarks
1	JU7-F2501-00-00	FRAME COMP. ....	1	
2	JU0-F2567-00-00	SUPPORT 1 ....	1	
3	JU0-F254R-00-00	SUPPORT, BODY MOUNTING .	1	
4	9582P-08020-00	BOLT, FLANGE ....	2	
5	90201-088S1-00	WASHER, PLATE ....	2	
6	JU7-F4145-00-00	DAMPER, SIDE COVER .....	1	
7	90109-10862-00	BOLT .....	2	
8	90170-10847-00	NUT .....	4	
9	9290P-10100-00	WASHER .....	4	
10	9290P-10200-00	WASHER .....	4	
11	JW4-F722B-00-00	BAR, TOW .....	1	

## CONTENTS

ACCELERATOR	C1
AIR SHROUD FAN	A8
BODY	C11-12
BODY 2	D1
BODY FITTING	D2
BRAKE	B9-10
BRAKE 2	B11
BRAKE 3	B12
BUMPER	C10
CAMSHAFT VALVE	A7
CARBURETOR	A10
CARRIER	D3
CRANKCASE	A12
CRANKSHAFT PISTON	A6
CYLINDER HEAD	A5
ELECTRICAL 1	D8
ELECTRICAL 2	D9-10
ENGINE ASSEMBLY	A4
ENGINE BRACKET	A1
EXHAUST	B1
FRAME	B3
FRONT SUSPENSION WHEEL	B4-5
FUEL TANK	B8
GOVERNOR	C2
HEADLIGHT	D7
INTAKE	A9
PRIMARY SHEAVE	C3
REAR ARM SUSPENSION	B2
REAR AXLE MOUNT WHEEL	C8
SEAT	D4
SECONDARY SHEAVE	C4
SHIFTER CABLES	C9
STARTING MOTOR	D5-6
STEERING	B6-7
TRANSMISSION 1	C5-7



JU71110-C120



## FRONT SUSPENSION WHEEL

Ref. No.	Part Number	Description	Qty	Remarks
1	JU0-F3570-20-00	FRONT LOWER ARM COMP. . . . .	2	
2	90381-18001-00	. BUSH, SOLID . . . . .	2	
3	2HR-23526-00-00	. BUSH . . . . .	2	
4	90387-12016-00	COLLAR . . . . .	2	
5	401-22128-01-00	COVER, THRUST 1 . . . . .	4	
6	90105-10890-00	BOLT, FLANGE . . . . .	4	
7	95607-10200-00	NUT, U FLANGE . . . . .	12	
8	95817-12080-00	BOLT, FLANGE . . . . .	2	
9	9561P-12100-00	NUT . . . . .	2	
10	JU7-F3350-00-00	SHOCK ABSORBER ASSY . . . . .	1	LH
11	JU7-F3390-00-00	SHOCK ABSORBER ASSY 2 . . . . .	1	RH
12	95807-10065-00	BOLT, FLANGE . . . . .	2	
13	90105-10064-00	BOLT, FLANGE . . . . .	2	
14	91401-25020-00	PIN, COTTER . . . . .	8	
15	JU0-F3511-00-00	KNUCKLE, STEERING 1 . . . . .	1	
16	90381-17067-00	. BUSH, SOLID . . . . .	4	
17	2NL-23517-00-00	COVER, THRUST 1 . . . . .	4	
18	JU7-F3512-00-00	ARM, KNUCKLE 1 . . . . .	2	
19	90105-10774-00	BOLT, FLANGE . . . . .	4	
20	JU0-F3521-00-00	KNUCKLE, STEERING 2 . . . . .	1	
21	93102-30083-00	OIL SEAL . . . . .	2	
22	93306-204X0-00	BEARING . . . . .	2	
23	JG5-WF511-10-00	HUB, FRONT . . . . .	2	
24	90114-12800-00	. BOLT, SERRATION . . . . .	4	
25	90387-241M7-00	COLLAR . . . . .	2	
26	93306-005Y3-00	BEARING . . . . .	2	
27	90209-32832-00	WASHER . . . . .	2	
28	95607-14100-00	NUT, U . . . . .	2	
29	JN6-F5118-00-00	COVER, HUB DUST . . . . .	2	
30	2NL-23448-00-00	SPACER . . . . .	2	

## CONTENTS

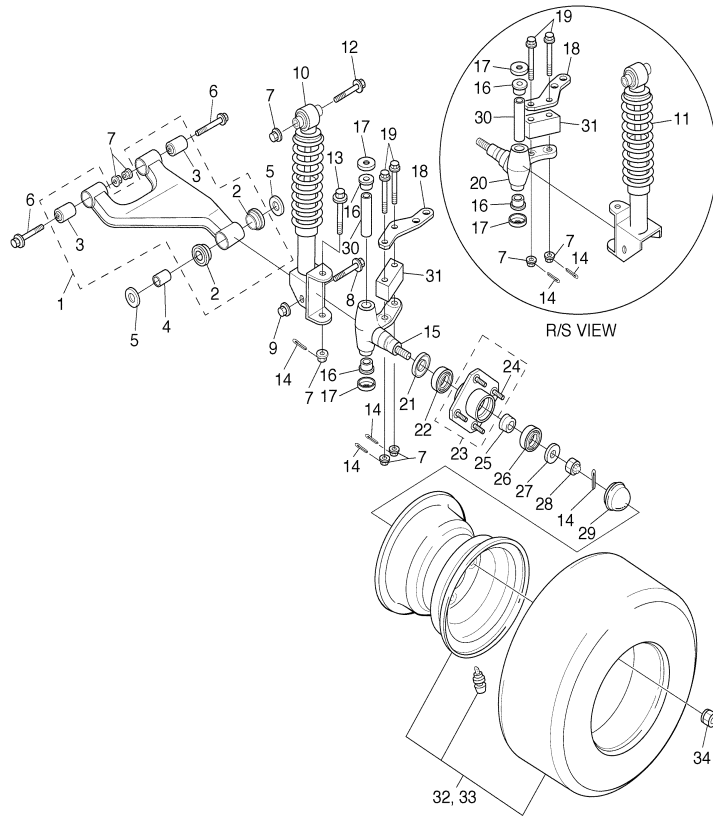
ACCELERATOR	C1
AIR SHROUD FAN	A8
BODY	C11-12
BODY 2	D1
BODY FITTING	D2
BRAKE	B9-10
BRAKE 2	B11
BRAKE 3	B12
BUMPER	C10
CAMSHAFT VALVE	A7
CARBURETOR	A10
CARRIER	D3
CRANKCASE	A12
CRANKSHAFT PISTON	A6
CYLINDER HEAD	A5
ELECTRICAL 1	D8
ELECTRICAL 2	D9-10
ENGINE ASSEMBLY	A4
ENGINE BRACKET	B1
EXHAUST	A11
FRAME	B3
FRONT SUSPENSION WHEEL	B4-5
FUEL TANK	B8
GOVERNOR	C2
HEADLIGHT	D7
INTAKE	A9
PRIMARY SHEAVE	C3
REAR ARM SUSPENSION	B2
REAR AXLE MOUNT WHEEL	C8
SEAT	D4
SECONDARY SHEAVE	C4
SHIFTER CABLES	C9
STARTING MOTOR	D5-6
STEERING	B6-7
TRANSMISSION 1	C5-7

CONTINUED ON NEXT FRAME ►



JW41110-C130





## FRONT SUSPENSION WHEEL

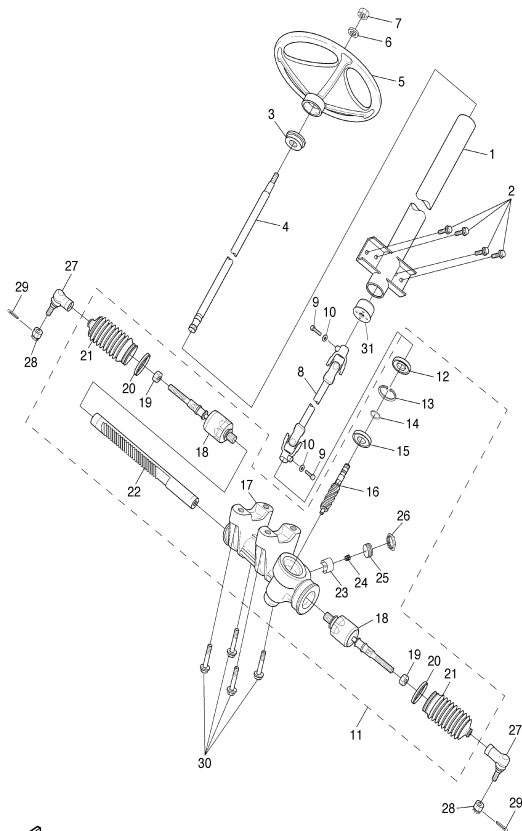
Ref. No.	Part Number	Description	Qty	Remarks
31	JU7-F3118-00-00	SPACER	2	
32	JU7-F5100-00-00	WHEEL ASSY (20X10-8 4PLY 224)	1	UR DURO TURF, LH
	JU7-F5100-10-00	WHEEL ASSY (20X10-8/4/244)	1	UR DURO DESERT, LH
33	JU7-F5100-00-00	WHEEL ASSY (20X10-8 4PLY 224)	1	UR DURO TURF, RH
	JU7-F5109-10-00	WHEEL ASSY., 2 (20X10-8/4/244)	1	UR DURO DESERT, RH
34	90179-12262-00	NUT	8	

## CONTENTS

ACCELERATOR	C1
AIR SHROUD FAN	A8
BODY	C11-12
BODY 2	D1
BODY FITTING	D2
BRAKE	B9-10
BRAKE 2	B11
BRAKE 3	B12
BUMPER	C10
CAMSHAFT VALVE	A7
CARBURETOR	A10
CARRIER	D3
CRANKCASE	A12
CRANKSHAFT PISTON	A6
CYLINDER HEAD	A5
ELECTRICAL 1	D8
ELECTRICAL 2	D9-10
ENGINE ASSEMBLY	A4
ENGINE BRACKET	B1
EXHAUST	A11
FRAME	B3
FRONT SUSPENSION WHEEL	B4-5
FUEL TANK	B8
GOVERNOR	C2
HEADLIGHT	D7
INTAKE	A9
PRIMARY SHEAVE	C3
REAR ARM SUSPENSION	B2
REAR AXLE MOUNT WHEEL	C8
SEAT	D4
SECONDARY SHEAVE	C4
SHIFTER CABLES	C9
STARTING MOTOR	D5-6
STEERING	B6-7
TRANSMISSION 1	C5-7



JW41110-C130



JU71110-C140

## STEERING

Ref. No.	Part Number	Description	Qty	Remarks
1	JU0-F3811-00-00	COLUMN, STEERING	1	
2	9581P-08016-00	BOLT, FLANGE	4	
3	JN3-F3814-00-00	HOLDER, HANDLE UPPER	1	
4	JU0-F3828-00-00	ROD, STEERING	1	
5	JN3-F3838-00-00	WHEEL, STEERING	1	
6	9290P-12200-00	WASHER	1	
7	90185-12061-00	NUT, SELF-LOCKING	1	
8	JU0-F3822-00-00	JOINT 1	1	
9	97017-08030-00	BOLT	2	
10	92907-08600-00	WASHER, PLATE	2	
11	JU7-F3400-00-00	STEERING ASSY	1	
12	JU0-F3844-00-00	. SEAL	1	
13	JU0-F387J-00-00	. RING, STOPPER	1	
14	JU0-F3183-00-00	. CIRCLIP	1	
15	JU0-F339Y-00-00	. BEARING	1	
16	JU0-F387A-00-00	. GEAR, PINION	1	
17	JU0-F620A-01-00	. HOUSING COMP.	1	NOT AVAILABLE
18	JU7-F3837-00-00	. ROD, TIE 2	2	
19	JU0-F3833-00-00	. NUT 1	2	
20	JU0-F1338-00-00	. CLAMP	2	
21	JU0-F3848-00-00	. BOOT	2	
22	JU0-F387E-00-00	. GEAR, RACK	1	
23	JU0-F387F-00-00	. PAD, PRESSURE	1	
24	JU0-F387K-00-00	. SPRING, PRESSURE	1	
25	JU0-F387G-00-00	. COVER, ADJUST	1	
26	JU0-F3834-00-00	. NUT 2	1	
27	JU0-F3841-00-00	JOINT, UNIVERSAL 1	2	
28	95607-12200-00	NUT, SELF-LOCKING	2	
29	91401-25020-00	PIN, COTTER	2	
30	90105-10810-00	BOLT, FLANGE	4	

## CONTENTS

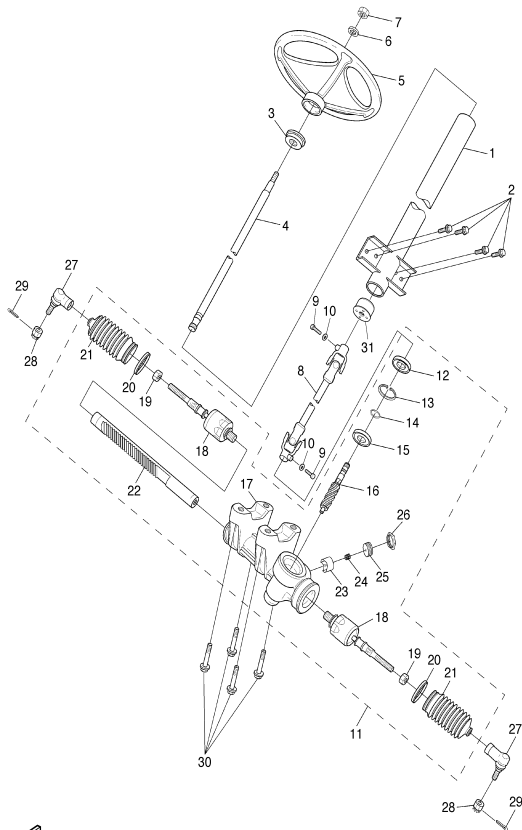
ACCELERATOR	C1
AIR SHROUD FAN	A8
BODY	C11-12
BODY 2	D1
BODY FITTING	D2
BRAKE	B9-10
BRAKE 2	B11
BRAKE 3	B12
BUMPER	C10
CAMSHAFT VALVE	A7
CARBURETOR	A10
CARRIER	D3
CRANKCASE	A12
CRANKSHAFT PISTON	A6
CYLINDER HEAD	A5
ELECTRICAL 1	D8
ELECTRICAL 2	D9-10
ENGINE ASSEMBLY	A4
ENGINE BRACKET	B1
EXHAUST	A11
FRAME	B3
FRONT SUSPENSION WHEEL	B4-5
FUEL TANK	B8
GOVERNOR	C2
HEADLIGHT	D7
INTAKE	A9
PRIMARY SHEAVE	C3
REAR ARM SUSPENSION	B2
REAR AXLE MOUNT WHEEL	C8
SEAT	D4
SECONDARY SHEAVE	C4
SHIFTER CABLES	C9
STARTING MOTOR	D5-6
STEERING	B6-7
TRANSMISSION 1	C5-7

CONTINUED ON NEXT FRAME ►

# STEERING

Ref. No.	Part Number	Description	Qty	Remarks
----------	-------------	-------------	-----	---------

31	JU0-F3857-00-00	HOLDER .....	1	
----	-----------------	--------------	---	--



## CONTENTS

ACCELERATOR	C1
AIR SHROUD FAN	A8
BODY	C11-12
BODY 2	D1
BODY FITTING	D2
BRAKE	B9-10
BRAKE 2	B11
BRAKE 3	B12
BUMPER	C10
CAMSHAFT VALVE	A7
CARBURETOR	A10
CARRIER	D3
CRANKCASE	A12
CRANKSHAFT PISTON	A6
CYLINDER HEAD	A5
ELECTRICAL 1	D8
ELECTRICAL 2	D9-10
ENGINE ASSEMBLY	A4
ENGINE BRACKET	B1
EXHAUST	A11
FRAME	B3
FRONT SUSPENSION WHEEL	B4-5
FUEL TANK	B8
GOVERNOR	C2
HEADLIGHT	D7
INTAKE	A9
PRIMARY SHEAVE	C3
REAR ARM SUSPENSION	B2
REAR AXLE MOUNT WHEEL	C8
SEAT	D4
SECONDARY SHEAVE	C4
SHIFTER CABLES	C9
STARTING MOTOR	D5-6
STEERING	B6-7
TRANSMISSION 1	C5-7



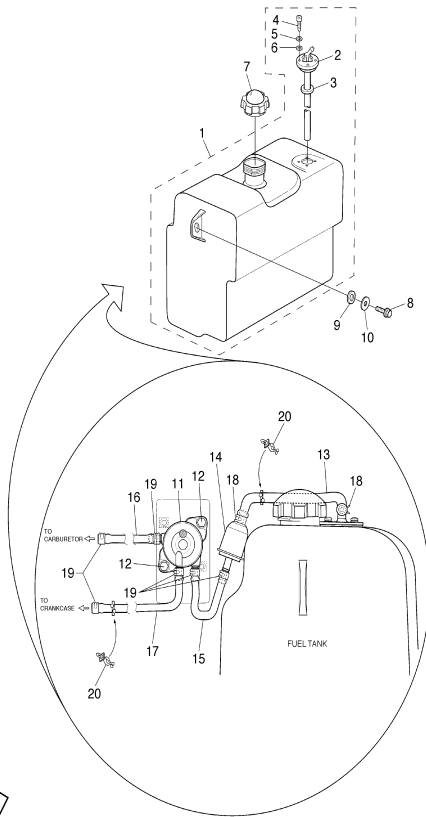
JU71110-C140

# FUEL TANK

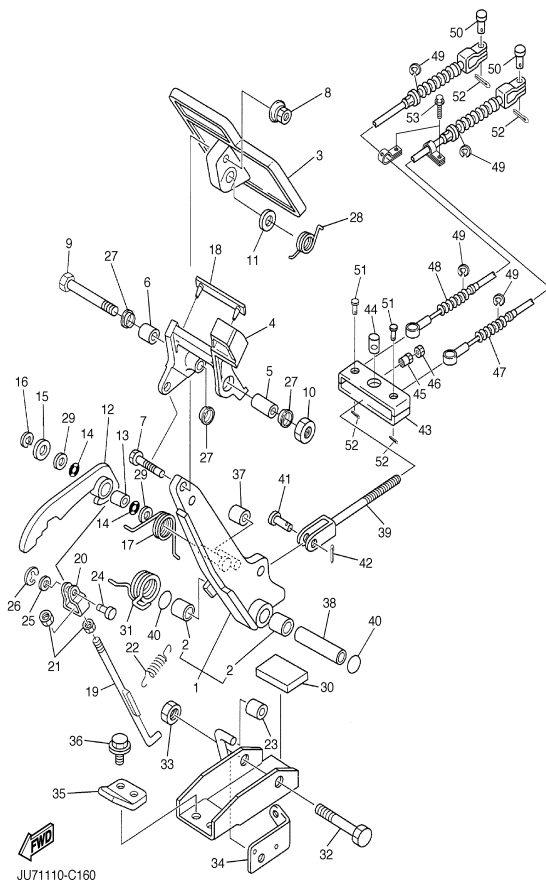
Ref. No.	Part Number	Description	Qty	Remarks
1	JN6-F4110-01-00	FUEL TANK COMP. ....	1	
2	JN3-F4300-02-00	. FUEL PIPE JOINT ....	1	
3	93210-228C4-00	. O-RING ....	1	
4	98507-05014-00	. SCREW, PAN HEAD ....	4	
5	92907-05100-00	. WASHER, SPRING ....	4	
6	92907-05600-00	. WASHER, PLATE ....	4	
7	JN6-F4610-00-00	CAP ASSY ....	1	
8	90105-08878-00	BOLT, FLANGE ....	2	
9	90560-08251-00	SPACER ....	2	
10	90201-088S2-00	WASHER, PLATE ....	2	
11	JN6-F4410-10-00	FUEL PUMP ASSY ....	1	
12	JN6-F3394-00-00	BOLT, SPECIAL ....	2	
13	JN6-F4312-20-00	PIPE 2 ....	1	
14	JN6-F4560-00-00	FILTER ASSY ....	1	
15	JN6-F4311-20-00	PIPE, FUEL 1 ....	1	
16	JN6-F4313-20-00	PIPE 3 ....	1	
17	JU7-F4314-00-00	PIPE 4 ....	1	
18	90467-12845-00	CLIP ....	2	
19	90467-10846-00	CLIP ....	6	
20	90464-11816-00	CLAMP ....	2	

## CONTENTS

ACCELERATOR	C1
AIR SHROUD FAN	A8
BODY	C11-12
BODY 2	D1
BODY FITTING	D2
BRAKE	B9-10
BRAKE 2	B11
BRAKE 3	B12
BUMPER	C10
CAMSHAFT VALVE	A7
CARBURETOR	A10
CARRIER	D3
CRANKCASE	A12
CRANKSHAFT PISTON	A6
CYLINDER HEAD	A5
ELECTRICAL 1	D8
ELECTRICAL 2	D9-10
ENGINE ASSEMBLY	A4
ENGINE BRACKET	B1
EXHAUST	A11
FRAME	B3
FRONT SUSPENSION WHEEL	B4-5
FUEL TANK	B8
GOVERNOR	C2
HEADLIGHT	D7
INTAKE	A9
PRIMARY SHEAVE	C3
REAR ARM SUSPENSION	B2
REAR AXLE MOUNT WHEEL	C8
SEAT	D4
SECONDARY SHEAVE	C4
SHIFTER CABLES	C9
STARTING MOTOR	D5-6
STEERING	B6-7
TRANSMISSION 1	C5-7



JW41110-C150



JU71110-C160

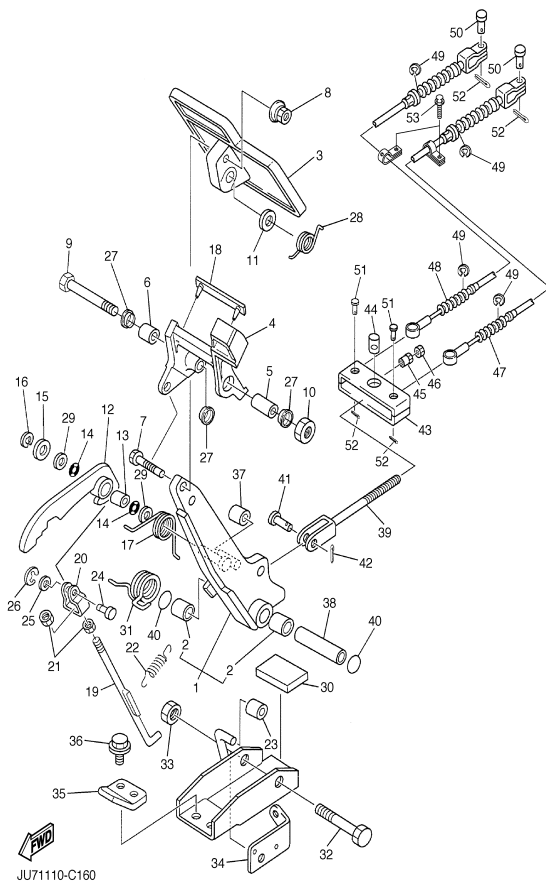
## BRAKE

Ref. No.	Part Number	Description	Qty	Remarks
1	J46-27250-03-00	BRAKE ARM COMP. ....	1	
2	90384-14080-00	. BUSH, BIMETAL FORMED ...	2	
3	JU0-27211-01-00	PEDAL, BRAKE .....	1	
4	JU0-25671-00-00	PEDAL, PARKING BRAKE ....	1	
5	90387-08014-00	COLLAR .....	1	
6	90387-08013-00	COLLAR .....	1	
7	97027-06035-00	BOLT .....	1	
8	90179-07564-00	NUT .....	1	
9	97027-08100-00	BOLT .....	1	
10	95307-08600-00	NUT .....	1	
11	92907-08200-00	WASHER .....	1	
12	J17-25666-02-00	SECTOR, PARKING BRAKE ..	1	
13	90384-10162-00	BUSH, BIMETAL FORMED ....	1	
14	J17-27221-00-00	SEAL, SHAFT .....	2	
15	92907-10600-00	WASHER, PLATE .....	1	
16	99001-07600-00	CIRCLIP .....	1	
17	90508-14548-00	SPRING, TORSION .....	1	
18	J17-25672-01-00	PAD, PARKING PEDAL .....	1	
19	J17-27231-03-00	ROD, BRAKE .....	1	
20	J17-27232-00-00	END, ROD 2 .....	1	
21	95307-06700-00	NUT .....	2	
22	90506-09001-00	SPRING, TENSION .....	1	
23	J17-25673-00-00	DAMPER, BRAKE .....	1	
24	J17-27228-00-00	PIN, JOINT .....	1	
25	92907-05600-00	WASHER, PLATE .....	1	
26	99001-04600-00	CIRCLIP .....	1	
27	90387-12009-00	COLLAR .....	3	
28	90508-32015-00	SPRING, TORSION .....	1	
29	90201-104G8-00	WASHER, PLATE .....	2	
30	JN3-F7245-00-00	PAD, BRAKE PEDAL .....	1	

CONTINUED ON NEXT FRAME ►

## CONTENTS

ACCELERATOR	C1
AIR SHROUD FAN	A8
BODY	C11-12
BODY 2	D1
BODY FITTING	D2
BRAKE	B9-10
BRAKE 2	B11
BRAKE 3	B12
BUMPER	C10
CAMSHAFT VALVE	A7
CARBURETOR	A10
CARRIER	D3
CRANKCASE	A12
CRANKSHAFT PISTON	A6
CYLINDER HEAD	A5
ELECTRICAL 1	D8
ELECTRICAL 2	D9-10
ENGINE ASSEMBLY	A4
ENGINE BRACKET	B1
EXHAUST	A11
FRAME	B3
FRONT SUSPENSION WHEEL	B4-5
FUEL TANK	B8
GOVERNOR	C2
HEADLIGHT	D7
INTAKE	A9
PRIMARY SHEAVE	C3
REAR ARM SUSPENSION	B2
REAR AXLE MOUNT WHEEL	C8
SEAT	D4
SECONDARY SHEAVE	C4
SHIFTER CABLES	C9
STARTING MOTOR	D5-6
STEERING	B6-7
TRANSMISSION 1	C5-7



## BRAKE

Ref. No.	Part Number	Description	Qty	Remarks
31	90508-40007-00	SPRING, TORSION .....	1	
32	90101-10884-00	BOLT .....	1	
33	95607-10200-00	NUT, U FLANGE .....	1	
34	J55-2252M-00-00	BRACKET, 3 .....	1	
35	J17-27246-00-00	NAIL, BRAKE .....	1	
36	90105-08878-00	BOLT, FLANGE .....	2	
37	J17-25673-00-00	DAMPER, BRAKE .....	1	
38	90387-107F8-00	COLLAR .....	1	
39	JN6-F5685-00-00	ROD .....	1	
40	93210-132A8-00	O-RING .....	2	
41	91701-10022-00	PIN, CLEVIS .....	1	
42	91490-30015-00	PIN, COTTER .....	1	
43	JN6-F5681-00-00	EQUALIZER, BRAKE .....	1	
44	90249-14129-00	PIN .....	1	
45	90179-08894-00	NUT .....	1	
46	95307-08700-00	NUT .....	1	
47	JU7-F6341-00-00	CABLE, BRAKE .....	1	
48	JU7-F6351-00-00	CABLE, BRAKE .....	1	
49	99001-09600-00	CIRCLIP .....	4	
50	91701-08018-00	PIN, CLEVIS .....	2	
51	91701-08026-00	PIN, CLEVIS .....	2	
52	91490-25015-00	PIN, COTTER .....	4	
53	90105-06876-00	BOLT, FLANGE .....	2	

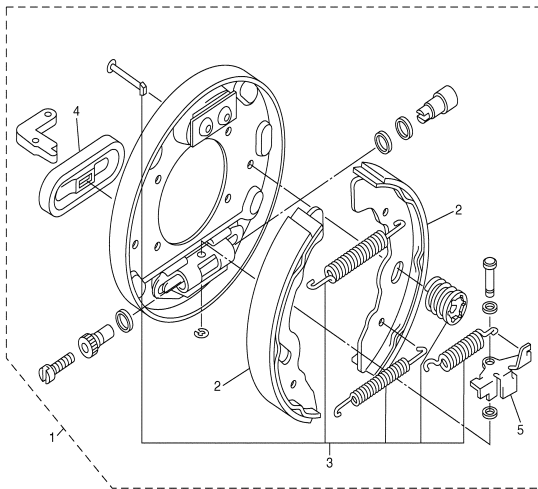
## CONTENTS

ACCELERATOR	C1
AIR SHROUD FAN	A8
BODY	C11-12
BODY 2	D1
BODY FITTING	D2
BRAKE	B9-10
BRAKE 2	B11
BRAKE 3	B12
BUMPER	C10
CAMSHAFT VALVE	A7
CARBURETOR	A10
CARRIER	D3
CRANKCASE	A12
CRANKSHAFT PISTON	A6
CYLINDER HEAD	A5
ELECTRICAL 1	D8
ELECTRICAL 2	D9-10
ENGINE ASSEMBLY	A4
ENGINE BRACKET	B1
EXHAUST	A11
FRAME	B3
FRONT SUSPENSION WHEEL	B4-5
FUEL TANK	B8
GOVERNOR	C2
HEADLIGHT	D7
INTAKE	A9
PRIMARY SHEAVE	C3
REAR ARM SUSPENSION	B2
REAR AXLE MOUNT WHEEL	C8
SEAT	D4
SECONDARY SHEAVE	C4
SHIFTER CABLES	C9
STARTING MOTOR	D5-6
STEERING	B6-7
TRANSMISSION 1	C5-7

B10

## BRAKE 2

Ref. No.	Part Number	Description	Qty	Remarks
1	JN6-F7290-03-00	BACKING PLATE ASSY 2 . . . .	1	(L.H)
2	JN6-F5331-01-00	. BRAKE SHOE SET . . . . .	1	(FOR ONE WHEEL)
3	JN6-F819G-00-00	. REPAIR PARTS KIT . . . . .	1	
4	JN6-F7286-00-00	. COVER, DUST . . . . .	1	
5	JN6-F722E-00-00	. LEVER, ADJUSTOR (LH) . . . .	1	



## CONTENTS

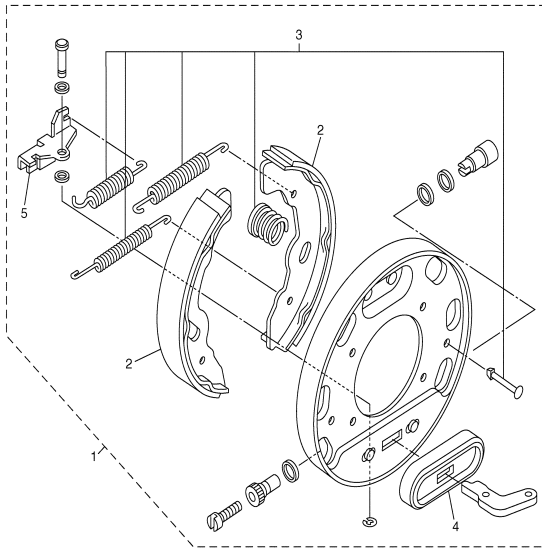
ACCELERATOR	C1
AIR SHROUD FAN	A8
BODY	C11-12
BODY 2	D1
BODY FITTING	D2
BRAKE	B9-10
BRAKE 2	B11
BRAKE 3	B12
BUMPER	C10
CAMSHAFT VALVE	A7
CARBURETOR	A10
CARRIER	D3
CRANKCASE	A12
CRANKSHAFT PISTON	A6
CYLINDER HEAD	A5
ELECTRICAL 1	D8
ELECTRICAL 2	D9-10
ENGINE ASSEMBLY	A4
ENGINE BRACKET	B1
EXHAUST	A11
FRAME	B3
FRONT SUSPENSION WHEEL	B4-5
FUEL TANK	B8
GOVERNOR	C2
HEADLIGHT	D7
INTAKE	A9
PRIMARY SHEAVE	C3
REAR ARM SUSPENSION	B2
REAR AXLE MOUNT WHEEL	C8
SEAT	D4
SECONDARY SHEAVE	C4
SHIFTER CABLES	C9
STARTING MOTOR	D5-6
STEERING	B6-7
TRANSMISSION 1	C5-7



JT71010-B160

## BRAKE 3

Ref. No.	Part Number	Description	Qty	Remarks
1	JN6-F7280-03-00	BACKING PLATE ASSY 1	1	(R.H)
2	JN6-F5331-01-00	. BRAKE SHOE SET	1	(FOR ONE WHEEL)
3	JN6-F819G-00-00	. REPAIR PARTS KIT	1	
4	JN6-F7286-00-00	. COVER, DUST	1	
5	JN6-F722F-00-00	. LEVER, ADJUSTOR (RH)	1	



## CONTENTS

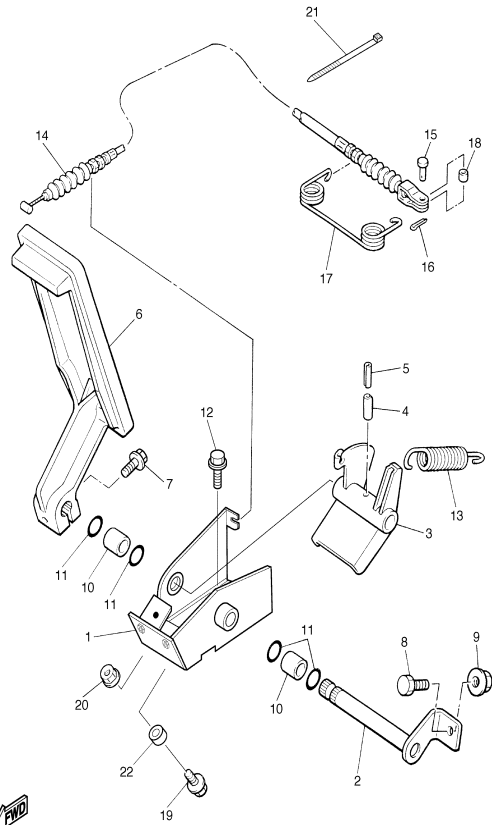
ACCELERATOR	C1
AIR SHROUD FAN	A8
BODY	C11-12
BODY FITTING	D2
BRAKE	B9-10
BRAKE 2	B11
BRAKE 3	B12
BUMPER	C10
CAMSHAFT VALVE	A7
CARBURETOR	A10
CARRIER	D3
CRANKCASE	A12
CRANKSHAFT PISTON	A6
CYLINDER HEAD	A5
ELECTRICAL 1	D8
ELECTRICAL 2	D9-10
ENGINE ASSEMBLY	A4
ENGINE BRACKET	B1
EXHAUST	A11
FRAME	B3
FRONT SUSPENSION WHEEL	B4-5
FUEL TANK	B8
GOVERNOR	C2
HEADLIGHT	D7
INTAKE	A9
PRIMARY SHEAVE	C3
REAR ARM SUSPENSION	B2
REAR AXLE MOUNT WHEEL	C8
SEAT	D4
SECONDARY SHEAVE	C4
SHIFTER CABLES	C9
STARTING MOTOR	D5-6
STEERING	B6-7
TRANSMISSION 1	C5-7



JT71010-B170



# ACCELERATOR



JT71010-B180

Ref. No.	Part Number	Description	Qty	Remarks
1	JN6-F7874-01-00	BRACKET, ACCELERATOR PEDAL	1	
2	J17-27853-01-00	SHAFT, PEDAL 1	1	
3	J38-27872-00-00	ARM, ACCELERATOR PEDAL	1	
4	91609-60028-00	PIN, SPRING	1	
5	91609-35028-00	PIN, SPRING	1	
6	J10-27871-01-00	PEDAL, ACCELERATOR	1	
7	95807-06025-00	BOLT, FLANGE	1	
8	90106-08806-00	BOLT	1	
9	95707-08500-00	NUT, FLANGE	1	
10	90384-14080-00	BUSH, BIMETAL FORMED	2	
11	93210-14104-00	O-RING	4	
12	90105-08878-00	BOLT, FLANGE	3	
13	90506-26282-00	SPRING, TENSION	1	
14	JN3-F6311-00-00	CABLE, THROTTLE 1	1	
15	91701-05012-00	PIN, CLEVIS	1	
16	90468-10049-00	CLIP	1	
17	90508-16460-00	SPRING, TORSION	1	
18	90560-05001-00	SPACER	1	
19	95807-06025-00	BOLT, FLANGE	1	
20	95707-06500-00	NUT, FLANGE	1	
21	90464-40825-00	CLAMP	2	
22	90387-068T4-00	COLLAR	1	

## CONTENTS

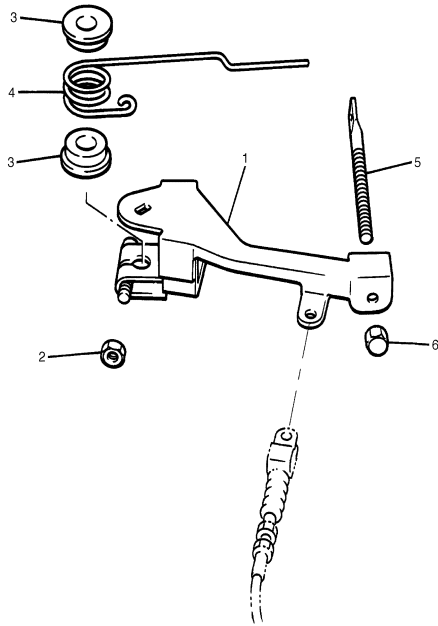
ACCELERATOR	C1
AIR SHROUD FAN	A8
BODY	C11-12
BODY 2	D1
BODY FITTING	D2
BRAKE	B9-10
BRAKE 2	B11
BRAKE 3	B12
BUMPER	C10
CAMSHAFT VALVE	A7
CARBURETOR	A10
CARRIER	D3
CRANKCASE	A12
CRANKSHAFT PISTON	A6
CYLINDER HEAD	A5
ELECTRICAL 1	D8
ELECTRICAL 2	D9-10
ENGINE ASSEMBLY	A4
ENGINE BRACKET	B1
EXHAUST	A11
FRAME	B3
FRONT SUSPENSION WHEEL	B4-5
FUEL TANK	B8
GOVERNOR	C2
HEADLIGHT	D7
INTAKE	A9
PRIMARY SHEAVE	C3
REAR ARM SUSPENSION	B2
REAR AXLE MOUNT WHEEL	C8
SEAT	D4
SECONDARY SHEAVE	C4
SHIFTER CABLES	C9
STARTING MOTOR	D5-6
STEERING	B6-7
TRANSMISSION 1	C5-7

# GOVERNOR

Ref. No.	Part Number	Description	Qty	Remarks
1	J38-27951-00-00	LEVER, SPEED LIMITER .....	1	
2	95307-06600-00	NUT .....	1	
3	90386-08141-00	BUSH .....	2	
4	90508-40678-00	SPRING, TORSION .....	1	
5	J38-27959-00-00	SCREW, ADJUSTING .....	1	
6	9560P-06200-00	NUT, FLANGE .....	1	

## CONTENTS

ACCELERATOR	C1
AIR SHROUD FAN	A8
BODY	C11-12
BODY 2	D1
BODY FITTING	D2
BRAKE	B9-10
BRAKE 2	B11
BRAKE 3	B12
BUMPER	C10
CAMSHAFT VALVE	A7
CARBURETOR	A10
CARRIER	D3
CRANKCASE	A12
CRANKSHAFT PISTON	A6
CYLINDER HEAD	A5
ELECTRICAL 1	D8
ELECTRICAL 2	D9-10
ENGINE ASSEMBLY	A4
ENGINE BRACKET	B1
EXHAUST	A11
FRAME	B3
FRONT SUSPENSION WHEEL	B4-5
FUEL TANK	B8
GOVERNOR	C2
HEADLIGHT	D7
INTAKE	A9
PRIMARY SHEAVE	C3
REAR ARM SUSPENSION	B2
REAR AXLE MOUNT WHEEL	C8
SEAT	D4
SECONDARY SHEAVE	C4
SHIFTER CABLES	C9
STARTING MOTOR	D5-6
STEERING	B6-7
TRANSMISSION 1	C5-7



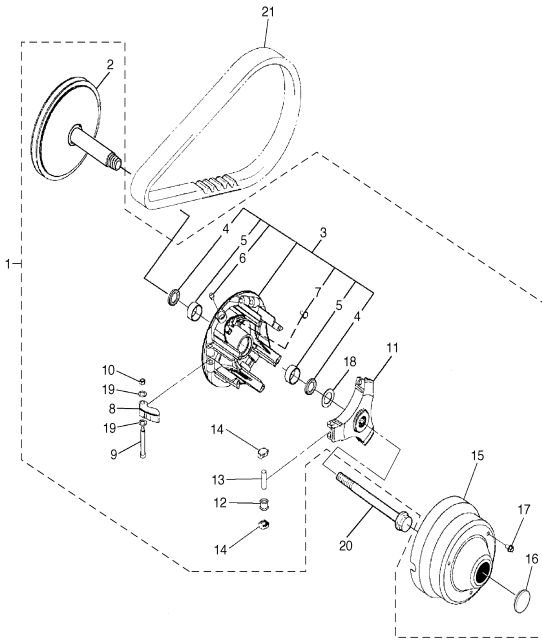
JT71010-B190

## PRIMARY SHEAVE

Ref. No.	Part Number	Description	Qty	Remarks
1	JN6-G6201-04-00	PRIMARY FIXED SHEAVE ASSY .....	1	
2	JN6-G6210-00-00	PRIMARY FIXED SHEAVE COMP. ....	1	
3	JN6-G6220-00-00	PRIMARY SLIDING SHEAVE COMP. ....	1	
4	93101-28831-00	OIL SEAL .....	2	
5	90384-27823-00	BUSH, BIMETAL FORMED ..	2	
6	93700-06810-00	NIPPLE, GREASE .....	1	
7	90338-04840-00	PLUG .....	3	
8	JN6-G6232-01-00	WEIGHT 1 .....	3	
9	90109-06860-00	BOLT .....	3	
10	90185-06834-00	NUT, SELF-LOCKING .....	3	
11	JN6-G6251-01-00	SPIDER .....	1	
12	JN6-G6258-02-00	COLLAR, ROLLER .....	3	
13	93610-358A3-00	PIN, DOWEL .....	3	
14	JN6-G6253-00-00	SLIDER .....	6	
15	JU0-G6231-00-00	CAP .....	1	
16	JU0-G6297-00-00	COVER, DUST .....	1	
17	90105-06861-00	BOLT, FLANGE .....	3	
18	90201-228K5-00	WASHER, PLATE .....	1	
19	JN6-G621F-00-00	SHIM, THRUST .....	6	
20	JN6-G6249-00-00	BOLT .....	1	
21	J55-G6241-00-00	V-BELT .....	1	

## CONTENTS

ACCELERATOR	C1
AIR SHROUD FAN	A8
BODY	C11-12
BODY 2	D1
BODY FITTING	D2
BRAKE	B9-10
BRAKE 2	B11
BRAKE 3	B12
BUMPER	C10
CAMSHAFT VALVE	A7
CARBURETOR	A10
CARRIER	D3
CRANKCASE	A12
CRANKSHAFT PISTON	A6
CYLINDER HEAD	A5
ELECTRICAL 1	D8
ELECTRICAL 2	D9-10
ENGINE ASSEMBLY	A4
ENGINE BRACKET	B1
EXHAUST	A11
FRAME	B3
FRONT SUSPENSION WHEEL	B4-5
FUEL TANK	B8
GOVERNOR	C2
HEADLIGHT	D7
INTAKE	A9
PRIMARY SHEAVE	C3
REAR ARM SUSPENSION	B2
REAR AXLE MOUNT WHEEL	C8
SEAT	D4
SECONDARY SHEAVE	C4
SHIFTER CABLES	C9
STARTING MOTOR	D5-6
STEERING	B6-7
TRANSMISSION 1	C5-7



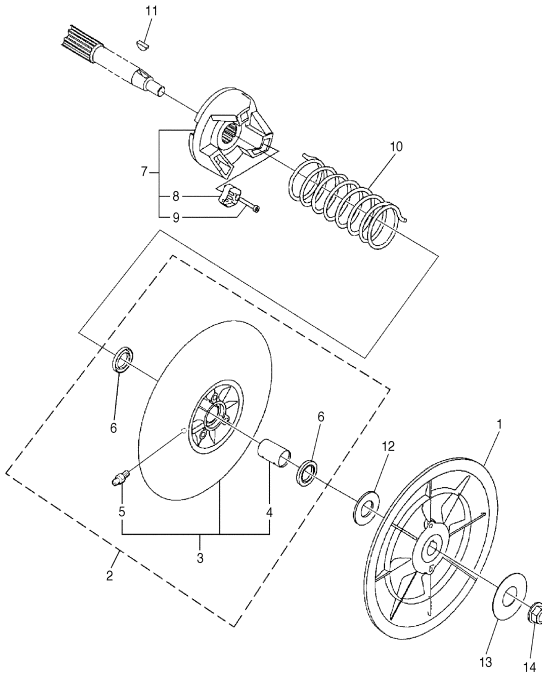
JT71010-B200

## SECONDARY SHEAVE

Ref. No.	Part Number	Description	Qty	Remarks
1	JN6-G6260-00-00	SECONDARY FIXED SHEAVE COMP. ....	1	
2	JN6-G6270-01-00	SECONDARY SLIDING SHEAVE COMP. ....	1	
3	JN6-G6271-02-00	SECONDARY SLIDING SHEAVE ....	1	
4	90384-20824-00	BUSH, BIMETAL FORMED ..	1	
5	93700-06809-00	NIPPLE, GREASE ..	1	
6	93109-20069-00	OIL SEAL ..	2	
7	JN6-G6280-00-00	SECONDARY SPRING SEAT COMP. ....	1	
8	JN6-E7688-00-00	SHOE, RAMP ..	3	
9	90110-04834-00	BOLT, HEXAGON SOCKET HEAD ..	3	
10	90508-45844-00	SPRING, TORSION ..	1	
11	90280-05022-00	KEY, WOODRUFF ..	1	
12	90202-20130-00	WASHER, PLATE ..	1	
13	90201-128S5-00	WASHER, PLATE ..	1	
14	95607-12200-00	NUT, SELF-LOCKING ..	1	

## CONTENTS

ACCELERATOR	C1
AIR SHROUD FAN	A8
BODY	C11-12
BODY 2	D1
BODY FITTING	D2
BRAKE	B9-10
BRAKE 2	B11
BRAKE 3	B12
BUMPER	C10
CAMSHAFT VALVE	A7
CARBURETOR	A10
CARRIER	D3
CRANKCASE	A12
CRANKSHAFT PISTON	A6
CYLINDER HEAD	A5
ELECTRICAL 1	D8
ELECTRICAL 2	D9-10
ENGINE ASSEMBLY	A4
ENGINE BRACKET	B1
EXHAUST	A11
FRAME	B3
FRONT SUSPENSION WHEEL	B4-5
FUEL TANK	B8
GOVERNOR	C2
HEADLIGHT	D7
INTAKE	A9
PRIMARY SHEAVE	C3
REAR ARM SUSPENSION	B2
REAR AXLE MOUNT WHEEL	C8
SEAT	D4
SECONDARY SHEAVE	C4
SHIFTER CABLES	C9
STARTING MOTOR	D5-6
STEERING	B6-7
TRANSMISSION 1	C5-7



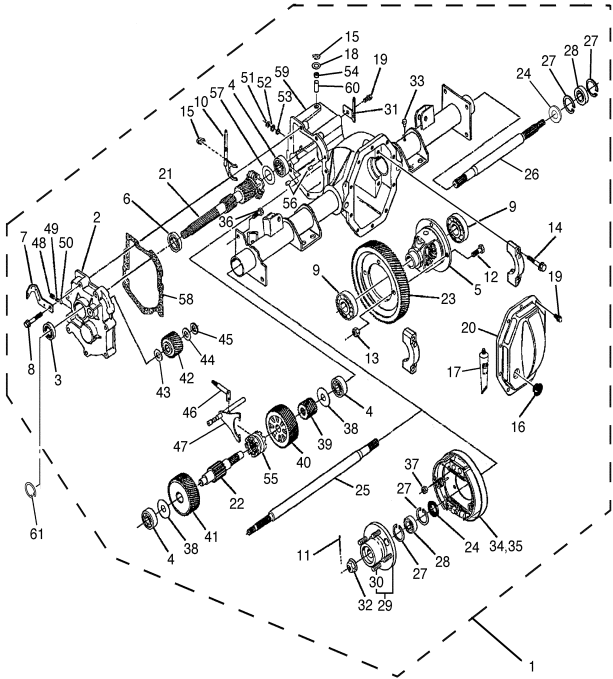
JT71010-B210

# TRANSMISSION 1

Ref. No.	Part Number	Description	Qty	Remarks
1	JN6-G6300-04-00	TRANS AXLE ASSY	1	
2	JN3-G6313-00-00	COVER, TRANSMISSION	1	
3	93102-25868-00	OIL SEAL	1	
4	93306-303Y6-00	BEARING	3	
5	JN6-G6410-00-00	DIFFERENTIAL ASSY.	1	
6	93306-005Y4-00	BEARING	1	
7	JN6-G6555-00-00	BRACKET 2	1	
8	90105-08859-00	BOLT, FLANGE	7	
9	93306-007Y0-00	BEARING	2	
10	JN3-G633E-01-00	BAR 1	1	
11	91490-25025-00	PIN, COTTER	2	
12	90101-10854-00	BOLT	4	
13	90170-10840-00	NUT	4	
14	90105-10840-00	BOLT, FLANGE	4	
15	JU0-F722H-00-00	RETAINER	2	
16	JN3-G6432-00-00	STOPPER	1	
17	JH7-G6136-00-00	SEAL 1	1	
18	JU0-F723F-00-00	WASHER, SPECIAL	1	
19	90101-08856-00	BOLT	11	
20	JN3-G6314-00-00	COVER, TRANSMISSION	1	
21	JN3-G6320-01-00	INPUT SHAFT ASSY	1	
22	JN3-G633G-00-00	SHAFT	1	
23	JN3-G6355-00-00	GEAR, PRIMARY	1	
24	93101-24822-00	OIL SEAL	2	
25	JN3-G6511-00-00	SHAFT, REAR AXLE 1 (L.H)	1	
26	JN3-G6512-00-00	SHAFT, REAR AXLE 2 (R.H)	1	
27	93420-44805-00	CIRCLIP	4	
28	93306-004X5-00	BEARING	2	
29	JN3-G6514-00-00	HUB, REAR AXLE	2	
30	90114-12804-00	BOLT, SERRATION	4	

## CONTENTS

ACCELERATOR	C1
AIR SHROUD FAN	A8
BODY	C11-12
BODY 2	D1
BODY FITTING	D2
BRAKE	B9-10
BRAKE 2	B11
BRAKE 3	B12
BUMPER	C10
CAMSHAFT VALVE	A7
CARBURETOR	A10
CARRIER	D3
CRANKCASE	A12
CRANKSHAFT PISTON	A6
CYLINDER HEAD	A5
ELECTRICAL 1	D8
ELECTRICAL 2	D9-10
ENGINE ASSEMBLY	A4
ENGINE BRACKET	A11
EXHAUST	B1
FRAME	B3
FRONT SUSPENSION WHEEL	B4-5
FUEL TANK	B8
GOVERNOR	C2
HEADLIGHT	D7
INTAKE	A9
PRIMARY SHEAVE	C3
REAR ARM SUSPENSION	B2
REAR AXLE MOUNT WHEEL	C8
SEAT	D4
SECONDARY SHEAVE	C4
SHIFTER CABLES	C9
STARTING MOTOR	D5-6
STEERING	B6-7
TRANSMISSION 1	C5-7



JW41110-C230

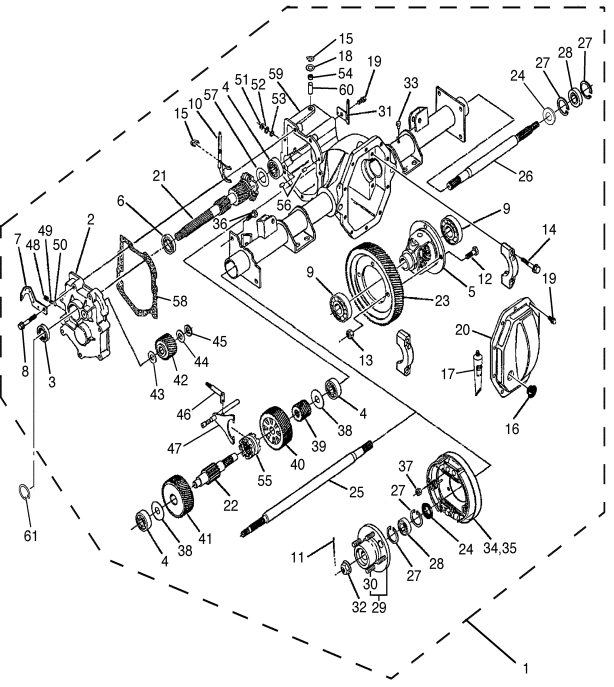
CONTINUED ON NEXT FRAME ►

# TRANSMISSION 1

Ref. No.	Part Number	Description	Qty	Remarks
31	JN3-G6556-00-00	. BRACKET 3	1	
32	90185-16833-00	. NUT, SELF-LOCKING	2	
33	JH7-G5619-00-00	. CAP	1	
34	JN6-F7290-03-00	. BACKING PLATE ASSY 2	1	SEE BRAKE 2 (L.H)
35	JN6-F7280-03-00	. BACKING PLATE ASSY 1	1	SEE BRAKE 3 (R.H)
36	90101-08855-00	. BOLT	8	
37	90170-08841-00	. NUT	8	
38	90201-178H8-00	. WASHER, PLATE	2	
39	JN3-G6316-00-00	. GEAR, PINION 1	1	
40	JN3-G6326-00-00	. GEAR, WHEEL 1	1	
41	JN3-G6327-00-00	. GEAR, WHEEL 2	1	
42	JN3-G6356-00-00	. GEAR, IDLER	1	
43	90201-208H9-00	. WASHER, PLATE	1	
44	90201-208J0-00	. WASHER, PLATE	1	
45	93440-20813-00	. CIRCLIP	1	
46	JN3-G638A-00-00	. BAR, SHIFT 1	1	
47	JN6-G638E-00-00	. BAR, SHIFT 2	1	
48	90113-08803-00	. BOLT, SET	1	
49	90501-10852-00	. SPRING, COMPRESSION	1	
50	93500-06826-00	. BALL	1	
51	93410-12822-00	. CIRCLIP	1	
52	90202-12807-00	. WASHER, PLATE	1	
53	93104-11829-00	. OIL SEAL	1	
54	93109-10820-00	. O-RING	1	
55	JN3-G6153-00-00	. COLLAR, GUIDE	1	
56	93606-10842-00	. PIN, DOWEL	2	
57	JN3-G6344-00-00	. SHIM, 0.76MM (0.030IN)	1	UR
	JN3-G6344-10-00	. SHIM, 0.90MM (0.035IN)	1	UR
	JN3-G6344-20-00	. SHIM, 1.00MM (0.040IN)	1	UR
	JN3-G6344-30-00	. SHIM, 1.14MM (0.045IN)	1	UR

## CONTENTS

ACCELERATOR	C1
AIR SHROUD FAN	A8
BODY	C11-12
BODY 2	D1
BODY FITTING	D2
BRAKE	B9-10
BRAKE 2	B11
BRAKE 3	B12
BUMPER	C10
CAMSHAFT VALVE	A7
CARBURETOR	A10
CARRIER	D3
CRANKCASE	A12
CRANKSHAFT PISTON	A6
CYLINDER HEAD	A5
ELECTRICAL 1	D8
ELECTRICAL 2	D9-10
ENGINE ASSEMBLY	A4
ENGINE BRACKET	A11
EXHAUST	B1
FRAME	B3
FRONT SUSPENSION WHEEL	B4-5
FUEL TANK	B8
GOVERNOR	C2
HEADLIGHT	D7
INTAKE	A9
PRIMARY SHEAVE	C3
REAR ARM SUSPENSION	B2
REAR AXLE MOUNT WHEEL	C8
SEAT	D4
SECONDARY SHEAVE	C4
SHIFTER CABLES	C9
STARTING MOTOR	D5-6
STEERING	B6-7
TRANSMISSION 1	C5-7



JW41110-C230

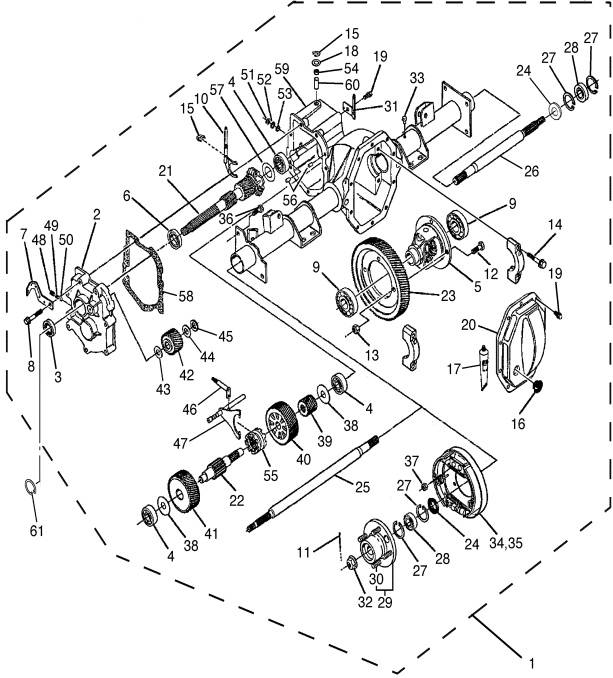
CONTINUED ON NEXT FRAME ►

# TRANSMISSION 1

Ref. No.	Part Number	Description	Qty	Remarks
57	JN3-G6344-40-00	. SHIM, 1.27MM (0.050IN)	.... 1	UR
	JN3-G6344-50-00	. SHIM, 1.39MM (0.055IN)	.... 1	UR
	JN3-G6344-60-00	. SHIM, 1.52MM (0.060IN)	.... 1	UR
	JN3-G6344-70-00	. SHIM, 1.65MM (0.065IN)	.... 1	UR
	JN3-G6344-80-00	. SHIM, 0.38MM (0.015IN)	.... 1	UR
	JN3-G6344-90-00	. SHIM, 1.78MM (0.070IN)	.... 1	UR
	JN3-G6344-A0-00	. SHIM, 1.92MM (0.075IN)	.... 1	UR
	JN3-G6344-B0-00	. SHIM, 2.03MM (0.080IN)	.... 1	UR
	JN3-G6344-C0-00	. SHIM, 2.12MM (0.085IN)	.... 1	UR
	JN3-G6344-D0-00	. SHIM, 2.29MM (0.090IN)	.... 1	UR
58	JN3-G6319-00-00	. GASKET	..... 1	
59	JN3-G6290-01-00	. CASE ASSY	..... 1	
60	JU0-G6164-00-00	. BEARING 1	..... 1	
61	93410-25017-00	. CIRCLIP	..... 1	

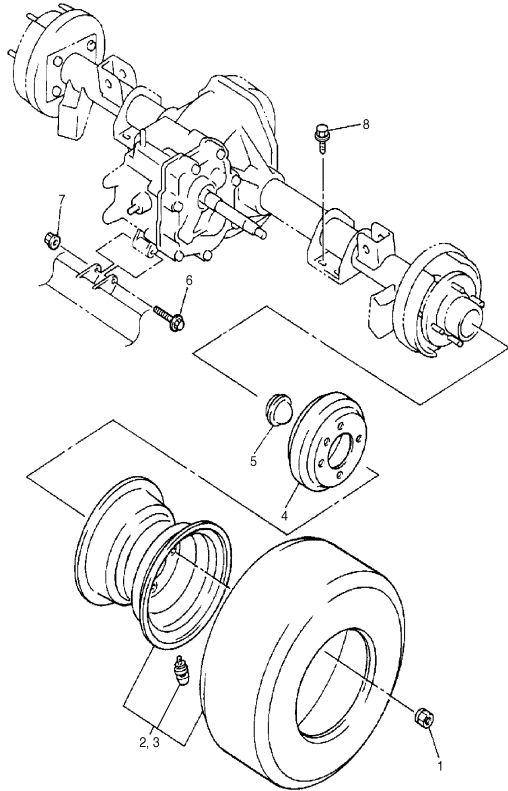
## CONTENTS

ACCELERATOR	C1
AIR SHROUD FAN	A8
BODY	C11-12
BODY FITTING	D1
BRAKE	D2
BRAKE 2	B9-10
BRAKE 3	B11
BUMPER	B12
CAMSHAFT VALVE	C10
CARBURETOR	A7
CARRIER	A10
CRANKCASE	D3
CRANKSHAFT PISTON	A12
CYLINDER HEAD	A6
ELECTRICAL 1	A5
ELECTRICAL 2	D8
ENGINE ASSEMBLY	D9-10
ENGINE BRACKET	A4
EXHAUST	B1
FRAME	A11
FRONT SUSPENSION WHEEL	B3
FUEL TANK	B4-5
GOVERNOR	B8
HEADLIGHT	C2
INTAKE	D7
PRIMARY SHEAVE	A9
REAR ARM SUSPENSION	C3
REAR AXLE MOUNT WHEEL	B2
SEAT	C8
SECONDARY SHEAVE	D4
SHIFTER CABLES	C4
STARTING MOTOR	C9
STEERING	D5-6
TRANSMISSION 1	B6-7
	C5-7



JW41110-C230

## REAR AXLE MOUNT WHEEL



Ref. No.	Part Number	Description	Qty	Remarks
1	90179-12262-00	NUT .....	8	
2	JU7-F5100-00-00	WHEEL ASSY (20X10-8 4PLY 224) .....	1	UR DURO TURF, LH
	JU7-F5100-10-00	WHEEL ASSY (20X10-8/4/244) .	1	UR DURO DESERT, LH
3	JU7-F5100-00-00	WHEEL ASSY (20X10-8 4PLY 224) .....	1	UR DURO TURF, RH
	JU7-F5109-10-00	WHEEL ASSY., 2 (20X10-8/4/244) .....	1	UR DURO DESERT, RH
4	J55-G6521-10-00	DRUM .....	2	
5	JN6-F5118-00-00	COVER, HUB DUST .....	2	
6	9581P-08075-00	BOLT, FLANGE .....	1	
7	95707-08500-00	NUT, FLANGE .....	1	
8	9751P-10620-00	BOLT, WITH WASHER .....	8	

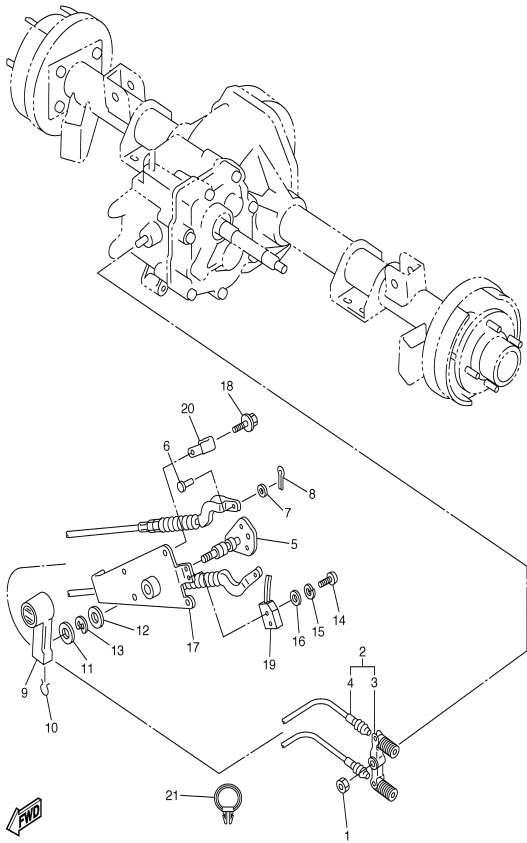
### CONTENTS

ACCELERATOR	C1
AIR SHROUD FAN	A8
BODY	C11-12
BODY FITTING	D2
BODY 2	D1
BRAKE	B9-10
BRAKE 2	B11
BRAKE 3	B12
BUMPER	C10
CAMSHAFT VALVE	A7
CARBURETOR	A10
CARRIER	D3
CRANKCASE	A12
CRANKSHAFT PISTON	A6
CYLINDER HEAD	A5
ELECTRICAL 1	D8
ELECTRICAL 2	D9-10
ENGINE ASSEMBLY	A4
ENGINE BRACKET	B1
EXHAUST	A11
FRAME	B3
FRONT SUSPENSION WHEEL	B4-5
FUEL TANK	B8
GOVERNOR	C2
HEADLIGHT	D7
INTAKE	A9
PRIMARY SHEAVE	C3
REAR ARM SUSPENSION	B2
REAR AXLE MOUNT WHEEL	C8
SEAT	D4
SECONDARY SHEAVE	C4
SHIFTER CABLES	C9
STARTING MOTOR	D5-6
STEERING	B6-7
TRANSMISSION 1	C5-7



JW41110-C240





JT71010-B240

# SHIFTER CABLES

Ref. No.	Part Number	Description	Qty	Remarks
1	95607-08100-00	NUT, U .....	1	
2	JN3-G8330-00-00	CABLE END ASSY .....	1	
3	J55-G6383-00-00	. LEVER, SHIFT 2 .....	1	
4	JN3-G6371-00-00	. WIRE, SHIFT .....	2	
5	JF2-46382-00-00	LEVER, SHIFT 1 .....	1	
6	91701-06014-00	PIN, CLEVIS .....	2	
7	9290P-06600-00	WASHER .....	2	
8	91401-20012-00	PIN, COTTER .....	2	
9	JN3-G6381-00-00	KNOB, SHIFT .....	1	
10	JN3-G6376-00-00	SPRING SET .....	1	
11	90201-208S8-00	WASHER, PLATE .....	1	
12	90201-198S7-00	WASHER, PLATE .....	1	
13	99009-19400-00	CIRCLIP .....	1	
14	98507-04016-00	SCREW, PAN HEAD .....	2	
15	92907-04100-00	WASHER, SPRING .....	2	
16	92907-04600-00	WASHER, SPRING .....	2	
17	JN3-G6372-00-00	BRACKET, SHIFT WIRE .....	1	
18	90105-06876-00	BOLT, FLANGE .....	4	
19	JN3-82617-01-00	SWITCH .....	1	
20	90465-06038-00	CLAMP .....	1	
21	90464-19815-00	CLAMP .....	2	

## CONTENTS

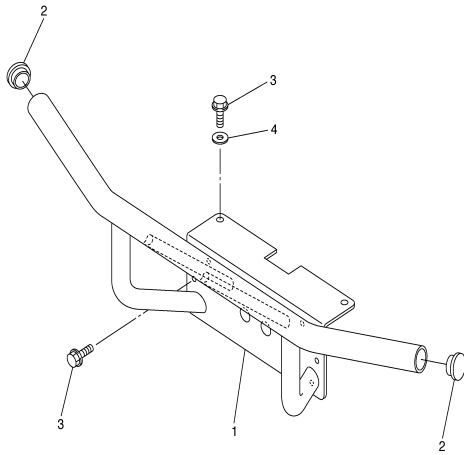
ACCELERATOR	C1
AIR SHROUD FAN	A8
BODY	C11-12
BODY 2	D1
BODY FITTING	D2
BRAKE	B9-10
BRAKE 2	B11
BRAKE 3	B12
BUMPER	C10
CAMSHAFT VALVE	A7
CARBURETOR	A10
CARRIER	D3
CRANKCASE	A12
CRANKSHAFT PISTON	A6
CYLINDER HEAD	A5
ELECTRICAL 1	D8
ELECTRICAL 2	D9-10
ENGINE ASSEMBLY	A4
ENGINE BRACKET	B1
EXHAUST	A11
FRAME	B3
FRONT SUSPENSION WHEEL	B4-5
FUEL TANK	B8
GOVERNOR	C2
HEADLIGHT	D7
INTAKE	A9
PRIMARY SHEAVE	C3
REAR ARM SUSPENSION	B2
REAR AXLE MOUNT WHEEL	C8
SEAT	D4
SECONDARY SHEAVE	C4
SHIFTER CABLES	C9
STARTING MOTOR	D5-6
STEERING	B6-7
TRANSMISSION 1	C5-7

# BUMPER

Ref. No.	Part Number	Description	Qty	Remarks
1	JU7-F845N-00-00	BAR, CARRY FRONT .....	1	
2	5UG-F2417-00-00	PLUG .....	2	
3	9581P-08016-00	BOLT, FLANGE .....	6	
4	90201-088P7-00	WASHER, PLATE .....	2	

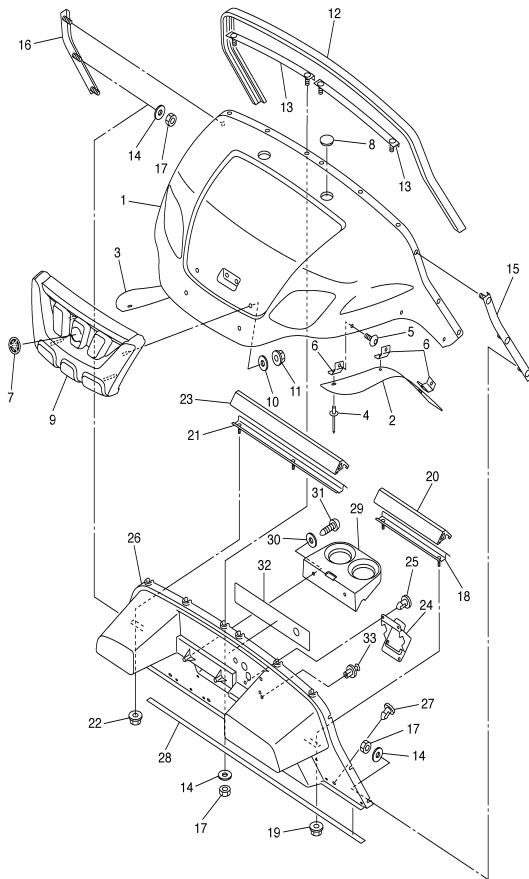
## CONTENTS

ACCELERATOR	C1
AIR SHROUD FAN	A8
BODY	C11-12
BODY 2	D1
BODY FITTING	D2
BRAKE	B9-10
BRAKE 2	B11
BRAKE 3	B12
BUMPER	C10
CAMSHAFT VALVE	A7
CARBURETOR	A10
CARRIER	D3
CRANKCASE	A12
CRANKSHAFT PISTON	A6
CYLINDER HEAD	A5
ELECTRICAL 1	D8
ELECTRICAL 2	D9-10
ENGINE ASSEMBLY	A4
ENGINE BRACKET	B1
EXHAUST	A11
FRAME	B3
FRONT SUSPENSION WHEEL	B4-5
FUEL TANK	B8
GOVERNOR	C2
HEADLIGHT	D7
INTAKE	A9
PRIMARY SHEAVE	C3
REAR ARM SUSPENSION	B2
REAR AXLE MOUNT WHEEL	C8
SEAT	D4
SECONDARY SHEAVE	C4
SHIFTER CABLES	C9
STARTING MOTOR	D5-6
STEERING	B6-7
TRANSMISSION 1	C5-7



JU71110-C260

C10



NOTE A: WHEN REPLACING "PANEL, FRONT JU7-K8114-00-00", YOU SHOULD ALSO REPLACE "LABEL, WARNING 1 JU7-K7761-00-00".

## BODY

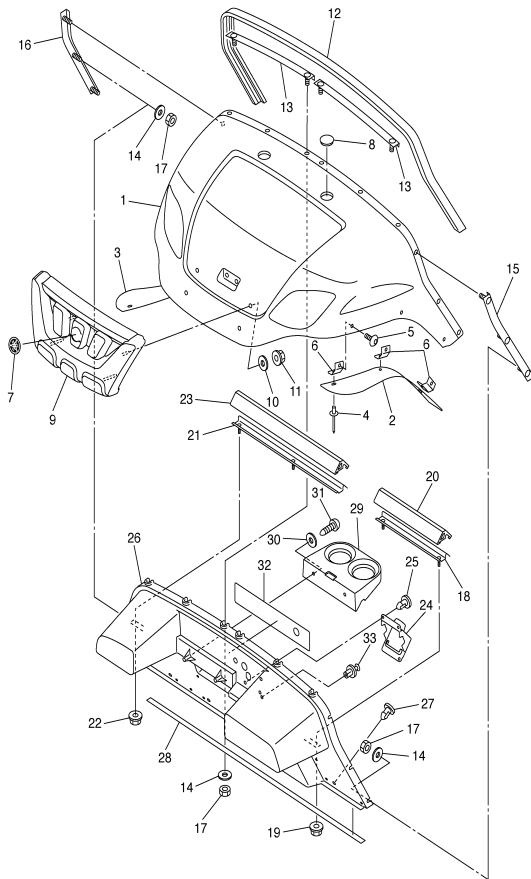
Ref. No.	Part Number	Description	Qty	Remarks
1	JU7-K811A-00-00	TRIM, UPPER COWL	1	
2	JR6-F1551-00-00	FENDER, OVER	1	
3	JR6-F1555-00-00	FENDER, OVER 2	1	
4	90267-48831-00	RIVET, BLIND	6	
5	90110-06836-00	BOLT, HEXAGON SOCKET HEAD	6	
6	JR6-F1546-00-00	STAY, FENDER 3	6	
7	5FU-F175B-01-00	TUNING FORK MARK	1	
8	JN3-K818E-00-00	CAP, PROTECTOR END 1	2	
9	JU7-K8217-00-00	GRILLE, FRONT	1	
10	90201-05800-00	WASHER, PLATE	4	
11	95607-05200-00	NUT, U FLANGE	4	
12	JF2-K811V-00-00	PROTECTOR 1	1	
13	JU0-K8261-00-00	PLATE, BODY PROTECT 1	2	
14	90201-06829-00	WASHER, PLATE	10	
15	JF2-K8262-01-00	PLATE, BODY PROTECT 2	1	
16	JF2-K8263-01-00	PLATE, BODY PROTECT 3	1	
17	90185-06836-00	NUT, SELF-LOCKING	10	
18	JF2-K8264-00-00	PLATE, BODY PROTECT 4	1	
19	9560P-06200-00	NUT, FLANGE	2	
20	JF2-K811W-00-00	PROTECTOR 2	1	
21	JF2-K8265-00-00	PLATE, BODY PROTECT 5	1	
22	9560P-06200-00	NUT, FLANGE	2	
23	JF2-K811X-00-00	PROTECTOR 3	1	
24	JF2-78273-01-00	COVER, HOLE	1	
25	90269-11042-00	RIVET	3	
26	JU7-K8114-00-00	PANEL, FRONT	1	SEE NOTE A
27	90269-08066-00	RIVET	3	
28	JN3-K815G-00-00	SEAL, FRONT STORAGE	1	
29	JF2-K835E-00-00	HOLDER, BEVERAGE	1	

## CONTENTS

ACCELERATOR	C1
AIR SHROUD FAN	A8
BODY	C11-12
BODY 2	D1
BODY FITTING	D2
BRAKE	B9-10
BRAKE 2	B11
BRAKE 3	B12
BUMPER	C10
CAMSHAFT VALVE	A7
CARBURETOR	A10
CARRIER	D3
CRANKCASE	A12
CRANKSHAFT PISTON	A6
CYLINDER HEAD	A5
ELECTRICAL 1	D8
ELECTRICAL 2	D9-10
ENGINE ASSEMBLY	A4
ENGINE BRACKET	B1
EXHAUST	A11
FRAME	B3
FRONT SUSPENSION WHEEL	B4-5
FUEL TANK	B8
GOVERNOR	C2
HEADLIGHT	D7
INTAKE	A9
PRIMARY SHEAVE	C3
REAR ARM SUSPENSION	B2
REAR AXLE MOUNT WHEEL	C8
SEAT	D4
SECONDARY SHEAVE	C4
SHIFTER CABLES	C9
STARTING MOTOR	D5-6
STEERING	B6-7
TRANSMISSION 1	C5-7

CONTINUED ON NEXT FRAME ►





NOTE A: WHEN REPLACING "PANEL, FRONT JU7-K8114-00-00", YOU SHOULD ALSO REPLACE "LABEL, WARNING 1 JU7-K7761-00-00".

## BODY

Ref. No.	Part Number	Description	Qty	Remarks
30	90201-068R6-00	WASHER, PLATE .....	2	
31	9770P-60130-00	SCREW, TAPPING .....	2	
32	JU7-K7761-00-00	LABEL, WARNING 1 .....	1	SEE NOTE A
33	90269-08069-00	RIVET .....	2	

## CONTENTS

ACCELERATOR	C1
AIR SHROUD FAN	A8
BODY	C11-12
BODY 2	D1
BODY FITTING	D2
BRAKE	B9-10
BRAKE 2	B11
BRAKE 3	B12
BUMPER	C10
CAMSHAFT VALVE	A7
CARBURETOR	A10
CARRIER	D3
CRANKCASE	A12
CRANKSHAFT PISTON	A6
CYLINDER HEAD	A5
ELECTRICAL 1	D8
ELECTRICAL 2	D9-10
ENGINE ASSEMBLY	A4
ENGINE BRACKET	B1
EXHAUST	A11
FRAME	B3
FRONT SUSPENSION WHEEL	B4-5
FUEL TANK	B8
GOVERNOR	C2
HEADLIGHT	D7
INTAKE	A9
PRIMARY SHEAVE	C3
REAR ARM SUSPENSION	B2
REAR AXLE MOUNT WHEEL	C8
SEAT	D4
SECONDARY SHEAVE	C4
SHIFTER CABLES	C9
STARTING MOTOR	D5-6
STEERING	B6-7
TRANSMISSION 1	C5-7



JU71110-C270

G27-A

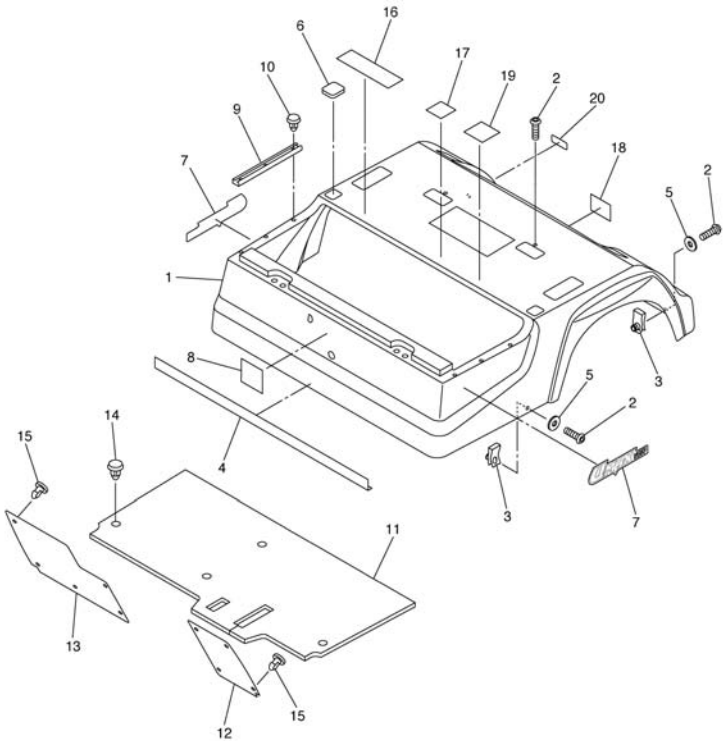
C12

# BODY 2

Ref. No.	Part Number	Description	Qty	Remarks
1	JU7-K8142-00-00	PANEL, REAR BODY	1	SEE NOTE A
2	90110-06836-00	BOLT, HEXAGON SOCKET HEAD	6	
3	90183-06811-00	NUT, SPRING	4	
4	JN6-K824E-00-00	TRIM, REAR BODY 1	1	
5	90201-068R6-00	WASHER, PLATE	4	
6	JU7-K8363-00-00	PROTECTOR	2	
7	JU7-F1781-00-00	EMBLEM 1	2	
8	JN3-K7741-00-00	INDICATOR 1	1	SEE NOTE A
9	JU7-K8425-00-00	SEAL, SEAT	2	
10	90338-05834-00	PLUG	6	
11	JN6-K8233-01-00	MAT, MAIN FLOOR 3	1	
12	JN6-K8231-01-00	MAT, MAIN FLOOR 1	1	
13	JN6-K8232-01-00	MAT, MAIN FLOOR 2	1	
14	90269-08813-00	RIVET	4	
15	90267-63047-00	RIVET, BLIND	9	
16	JN3-K8297-10-00	PLATE, CAUTION 1	1	SEE NOTE A
17	JN3-K8299-10-00	PLATE, CAUTION	1	SEE NOTE A
18	JU7-K7768-00-00	LABEL, WARNING	1	SEE NOTE A
19	JU7-F1696-00-00	LABEL, CAUTION	1	SEE NOTE A
20	JJ3-K7765-00-00	LABEL, WARNING 5	1	SEE NOTE A

## CONTENTS

ACCELERATOR	C1
AIR SHROUD FAN	A8
BODY	C11-12
BODY 2	D1
BODY FITTING	D2
BRAKE	B9-10
BRAKE 2	B11
BRAKE 3	B12
BUMPER	C10
CAMSHAFT VALVE	A7
CARBURETOR	A10
CARRIER	D3
CRANKCASE	A12
CRANKSHAFT PISTON	A6
CYLINDER HEAD	A5
ELECTRICAL 1	D8
ELECTRICAL 2	D9-10
ENGINE ASSEMBLY	A4
ENGINE BRACKET	B1
EXHAUST	A11
FRAME	B3
FRONT SUSPENSION WHEEL	B4-5
FUEL TANK	B8
GOVERNOR	C2
HEADLIGHT	D7
INTAKE	A9
PRIMARY SHEAVE	C3
REAR ARM SUSPENSION	B2
REAR AXLE MOUNT WHEEL	C8
SEAT	D4
SECONDARY SHEAVE	C4
SHIFTER CABLES	C9
STARTING MOTOR	D5-6
STEERING	B6-7
TRANSMISSION 1	C5-7

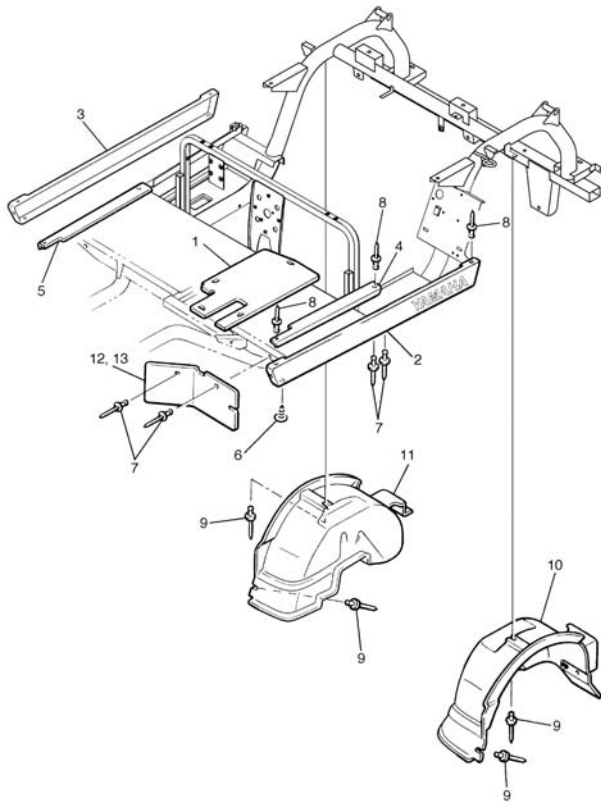


NOTE A: WHEN REPLACING "PANEL REAR BODY JU7-K8142-00-00", YOU MUST ALSO REPLACE "INDICATOR 1 JN3-K7741-00-00", "PLATE, CAUTION 1 JN3-K8297-10-00", "PLATE, CAUTION JN3-K8299-10-00", "LABEL, WARNING JU7-K7768-00-00", "LABEL, CAUTION JU7-F1696-00-00", AND "LABEL, WARNING 5 JJ3-K7765-00-00".

 JU71110-C281

G27-A

D1



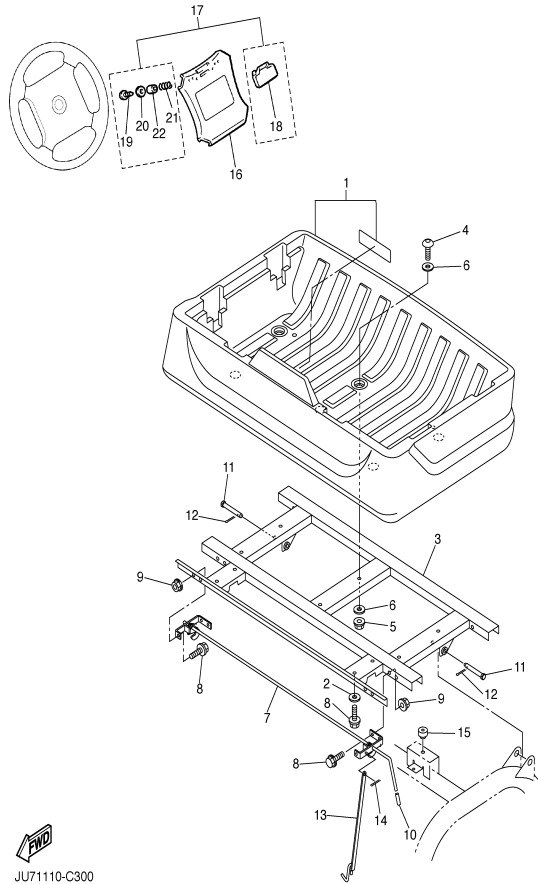
  
JU71110-C290

## BODY FITTING

Ref. No.	Part Number	Description	Qty	Remarks
1	JN6-K8271-00-00	SERVICE LID, PEDAL	1	
2	JU0-K818A-00-00	PROTECTOR, SIDE PLATE	1	
3	JU0-K818B-00-00	PROTECTOR, SIDE PLATE 2	1	
4	JF2-K8215-10-00	PLATE, SIDE TRIM	1	
5	JF2-K821F-10-00	PLATE, SIDE TRIM	1	
6	90338-05829-00	PLUG	4	
7	90267-48831-00	RIVET, BLIND	8	
8	90267-48154-00	RIVET, BLIND	6	
9	90267-48086-00	RIVET, BLIND	4	
10	JF2-K8191-01-00	PANEL, REAR FENDER 1	1	
11	JF2-K8192-01-00	PANEL, REAR FENDER 2	1	
12	JF2-K8187-00-00	FLAP, FRONT FENDER (L.H)	1	
13	JF2-K8189-00-00	FLAP, FRONT FENDER (R.H)	1	

## CONTENTS

ACCELERATOR	C1
AIR SHROUD FAN	A8
BODY	C11-12
BODY 2	D1
BODY FITTING	D2
BRAKE	B9-10
BRAKE 2	B11
BRAKE 3	B12
BUMPER	C10
CAMSHAFT VALVE	A7
CARBURETOR	A10
CARRIER	D3
CRANKCASE	A12
CRANKSHAFT PISTON	A6
CYLINDER HEAD	A5
ELECTRICAL 1	D8
ELECTRICAL 2	D9-10
ENGINE ASSEMBLY	A4
ENGINE BRACKET	B1
EXHAUST	A11
FRAME	B3
FRONT SUSPENSION WHEEL	B4-5
FUEL TANK	B8
GOVERNOR	C2
HEADLIGHT	D7
INTAKE	A9
PRIMARY SHEAVE	C3
REAR ARM SUSPENSION	B2
REAR AXLE MOUNT WHEEL	C8
SEAT	D4
SECONDARY SHEAVE	C4
SHIFTER CABLES	C9
STARTING MOTOR	D5-6
STEERING	B6-7
TRANSMISSION 1	C5-7



FWD  
JU71110-C300

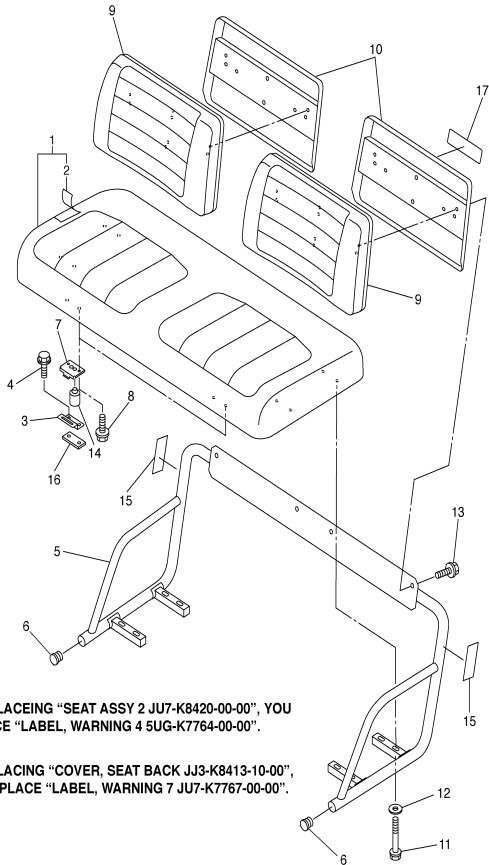
## CARRIER

Ref. No.	Part Number	Description	Qty	Remarks
1	JU7-K819J-00-00	SHELL, REAR STORAGE BOX	1	SEE NOTE "A"
2	90201-088P7-00	WASHER, PLATE	2	
3	JU7-K818N-00-00	BED, BOX	1	
4	92017-10035-00	BOLT, BUTTON HEAD	6	
5	9560P-10200-00	NUT, FLANGE	6	
6	90201-10144-00	WASHER, PLATE	12	
7	JU7-K8380-00-00	LOCK ASSY	1	
8	9582P-08020-00	BOLT, FLANGE	8	
9	9560P-08200-00	NUT	6	
10	JJ3-K818M-00-00	CAP, PROTECTOR END 4	1	
11	90240-13801-00	PIN, CLEVIS	2	
12	91401-30025-00	PIN, SPLIT	2	
13	JU7-K8158-00-00	ROD, INSPECTION LID	1	
14	91401-20020-00	PIN, COTTER	1	
15	4XE-F4747-00-00	DAMPER, SEAT	2	
16	JN3-K8357-00-00	HOLDER 1	1	
17	JN6-W001D-00-00	SCORE CARD HOLDER KIT	1	
18	JN6-K8358-01-00	HOLDER 2	1	
19	97707-40525-00	SCREW, TAPPING	2	
20	90201-048R5-00	WASHER, PLATE	2	
21	90502-10013-00	SPRING, CONICAL	2	
22	90387-046N7-00	COLLAR	2	

NOTE "A": Weight Limit sticker included with REAR STORAGE BOX.

## CONTENTS

ACCELERATOR	C1
AIR SHROUD FAN	A8
BODY	C11-12
BODY 2	D1
BODY FITTING	D2
BRAKE	B9-10
BRAKE 2	B11
BRAKE 3	B12
BUMPER	C10
CAMSHAFT VALVE	A7
CARBURETOR	A10
CARRIER	D3
CRANKCASE	A12
CRANKSHAFT PISTON	A6
CYLINDER HEAD	A5
ELECTRICAL 1	D8
ELECTRICAL 2	D9-10
ENGINE ASSEMBLY	A4
ENGINE BRACKET	B1
EXHAUST	A11
FRAME	B3
FRONT SUSPENSION WHEEL	B4-5
FUEL TANK	B8
GOVERNOR	C2
HEADLIGHT	D7
INTAKE	A9
PRIMARY SHEAVE	C3
REAR ARM SUSPENSION	B2
REAR AXLE MOUNT WHEEL	C8
SEAT	D4
SECONDARY SHEAVE	C4
SHIFTER CABLES	C9
STARTING MOTOR	D5-6
STEERING	B6-7
TRANSMISSION 1	C5-7



NOTE A: WHEN REPLACING "SEAT ASSY 2 JU7-K8420-00-00", YOU MUST ALSO REPLACE "LABEL, WARNING 4 5UG-K7764-00-00".

NOTE B: WHEN REPLACING "COVER, SEAT BACK JJ3-K8413-10-00", YOU MUST ALSO REPLACE "LABEL, WARNING 7 JU7-K7767-00-00".

## SEAT

Ref. No.	Part Number	Description	Qty	Remarks
1	JU7-K8401-10-00	SEAT SUB-ASSY, CUSHION ..	1	
2	JU7-K8404-00-00	. COVER, SEAT .....	1	
3	JF2-K8427-00-00	HINGE, SEAT 2 .....	2	
4	90105-06903-00	BOLT, FLANGE .....	4	
5	JU7-K8420-00-00	SEAT ASSY 2 .....	1	SEE NOTE A
6	JU7-F111A-00-00	CAP, MAIN PIPE .....	2	
7	JN3-K8426-02-00	HINGE, SEAT 1 .....	2	
8	90119-069UD-00	BOLT, WITH WASHER .....	4	
9	JU7-K8402-00-00	SEAT SUB ASSY, BACK .....	2	
10	JJ3-K8413-10-00	COVER, SEAT BACK .....	2	SEE NOTE B
11	90119-069UW-00	BOLT, WITH WASHER .....	8	
12	90201-068G0-00	WASHER, PLATE .....	8	
13	90119-06837-00	BOLT, WITH WASHER .....	4	
14	JU7-F4747-00-00	DAMPER, SEAT .....	2	
15	5UG-K7764-00-00	LABEL, WARNING 4 .....	2	SEE NOTE A
16	JU7-K8478-10-00	WASHER, PLATE .....	2	
17	JU7-K7767-00-00	LABEL, WARNING 7 .....	1	SEE NOTE B

## CONTENTS

ACCELERATOR	C1
AIR SHROUD FAN	A8
BODY	C11-12
BODY 2	D1
BODY FITTING	D2
BRAKE	B9-10
BRAKE 2	B11
BRAKE 3	B12
BUMPER	C10
CAMSHAFT VALVE	A7
CARBURETOR	A10
CARRIER	D3
CRANKCASE	A12
CRANKSHAFT PISTON	A6
CYLINDER HEAD	A5
ELECTRICAL 1	D8
ELECTRICAL 2	D9-10
ENGINE ASSEMBLY	A4
ENGINE BRACKET	B1
EXHAUST	A11
FRAME	B3
FRONT SUSPENSION WHEEL	B4-5
FUEL TANK	B8
GOVERNOR	C2
HEADLIGHT	D7
INTAKE	A9
PRIMARY SHEAVE	C3
REAR ARM SUSPENSION	B2
REAR AXLE MOUNT WHEEL	C8
SEAT	D4
SECONDARY SHEAVE	C4
SHIFTER CABLES	C9
STARTING MOTOR	D5-6
STEERING	B6-7
TRANSMISSION 1	C5-7

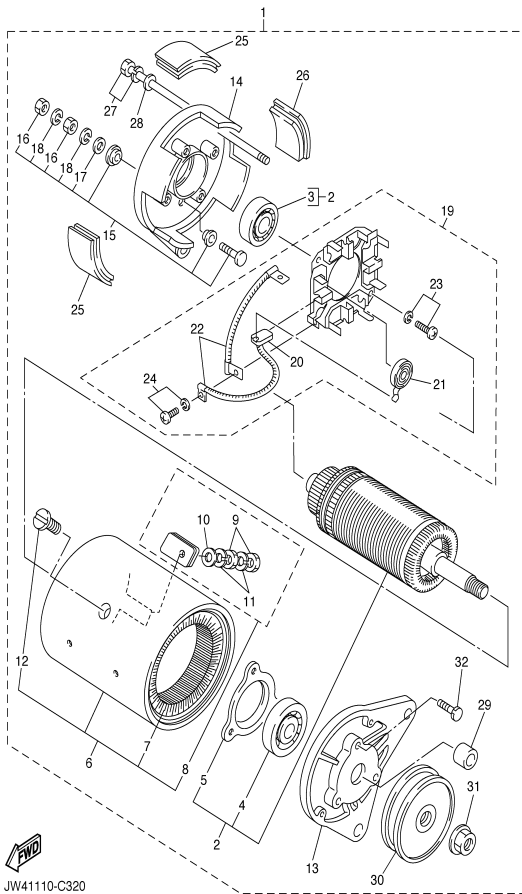


JW41110-C310

G27-A

D4





## STARTING MOTOR

Ref. No.	Part Number	Description	Qty	Remarks
1	JN6-H1100-03-00	STARTER GENERATOR ASSY	1	
2	JN3-H1150-00-00	.. ARMATURE ASSY	1	
3	J10-H1157-10-00	.. BEARING 1 (6202 SD)	1	
4	J10-H1158-10-00	.. BEARING 2 (6203 SD)	1	
5	J10-H1159-10-00	.. HOLDER, BEARING	1	
6	JN6-H1110-10-00	.. STATOR ASSY	1	
7	JN6-H1160-10-00	.. FIELD COIL ASSY	1	
8	J10-81148-10-00	.. SCREW SET 4	2	
9	9530N-06600-00	.. NUT	2	
10	9290N-06600-00	.. WASHER	1	
11	9290N-06100-00	.. WASHER, SPRING	2	
12	J10-81146-10-00	.. SCREW 2	4	
13	J38-H1165-10-00	.. BRACKET, STARTER GENERATOR 1	1	
14	J10-H1166-10-00	.. BRACKET, STARTER GENERATOR 2	1	
15	J10-H1147-10-00	.. SCREW 3	2	
16	9530N-06600-00	.. NUT	2	
17	9290N-06600-00	.. WASHER	1	
18	9290N-06100-00	.. WASHER, SPRING	2	
19	JN6-H1119-00-00	.. BRUSH HOLDER ASSY	1	
20	JF2-H1111-00-00	.. BRUSH	4	
21	JN6-H1113-00-00	.. SPRING, BRUSH	4	
22	J10-H1115-10-00	.. WIRE, LEAD	2	
23	9850N-05016-00	.. SCREW, PAN HEAD	2	
24	9850N-04010-00	.. SCREW, PAN HEAD	4	
25	J10-H1129-10-00	.. COVER, BRUSH	3	
26	J10-H1139-10-00	.. COVER, BRUSH 2	1	
27	J10-81145-10-00	.. SCREW 1	2	
28	9290N-06600-00	.. WASHER	2	
29	JN3-H11661-00-00	.. SPACER	1	

## CONTENTS

ACCELERATOR	C1
AIR SHROUD FAN	A8
BODY	C11-12
BODY 2	D1
BODY FITTING	D2
BRAKE	B9-10
BRAKE 2	B11
BRAKE 3	B12
BUMPER	C10
CAMSHAFT VALVE	A7
CARBURETOR	A10
CARRIER	D3
CRANKCASE	A12
CRANKSHAFT PISTON	A6
CYLINDER HEAD	A5
ELECTRICAL 1	D8
ELECTRICAL 2	D9-10
ENGINE ASSEMBLY	A4
ENGINE BRACKET	A11
EXHAUST	B1
FRAME	B3
FRONT SUSPENSION WHEEL	B4-5
FUEL TANK	B8
GOVERNOR	C2
HEADLIGHT	D7
INTAKE	A9
PRIMARY SHEAVE	C3
REAR ARM SUSPENSION	B2
REAR AXLE MOUNT WHEEL	C8
SEAT	D4
SECONDARY SHEAVE	C4
SHIFTER CABLES	C9
STARTING MOTOR	D5-6
STEERING	B6-7
TRANSMISSION 1	C5-7

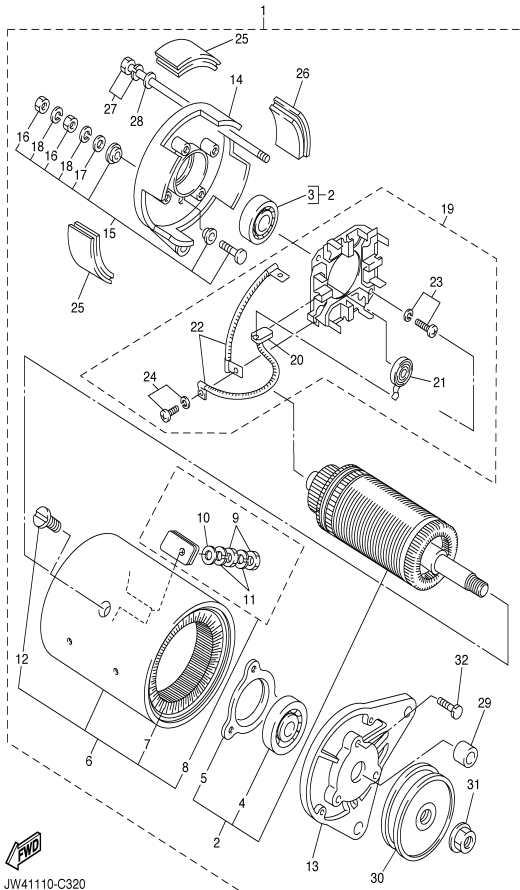
CONTINUED ON NEXT FRAME ➤

# STARTING MOTOR

Ref. No.	Part Number	Description	Qty	Remarks
30	JN6-H1161-00-00	.. PULLEY .....	1	
31	90179-16889-00	.. NUT .....	1	
32	9850N-05018-00	.. SCREW, PAN HEAD .....	3	

## CONTENTS

ACCELERATOR	C1
AIR SHROUD FAN	A8
BODY	C11-12
BODY 2	D1
BODY FITTING	D2
BRAKE	B9-10
BRAKE 2	B11
BRAKE 3	B12
BUMPER	C10
CAMSHAFT VALVE	A7
CARBURETOR	A10
CARRIER	D3
CRANKCASE	A12
CRANKSHAFT PISTON	A6
CYLINDER HEAD	A5
ELECTRICAL 1	D8
ELECTRICAL 2	D9-10
ENGINE ASSEMBLY	A4
ENGINE BRACKET	B1
EXHAUST	A11
FRAME	B3
FRONT SUSPENSION WHEEL	B4-5
FUEL TANK	B8
GOVERNOR	C2
HEADLIGHT	D7
INTAKE	A9
PRIMARY SHEAVE	C3
REAR ARM SUSPENSION	B2
REAR AXLE MOUNT WHEEL	C8
SEAT	D4
SECONDARY SHEAVE	C4
SHIFTING CABLES	C9
STARTING MOTOR	D5-6
STEERING	B6-7
TRANSMISSION 1	C5-7



JW41110-C320

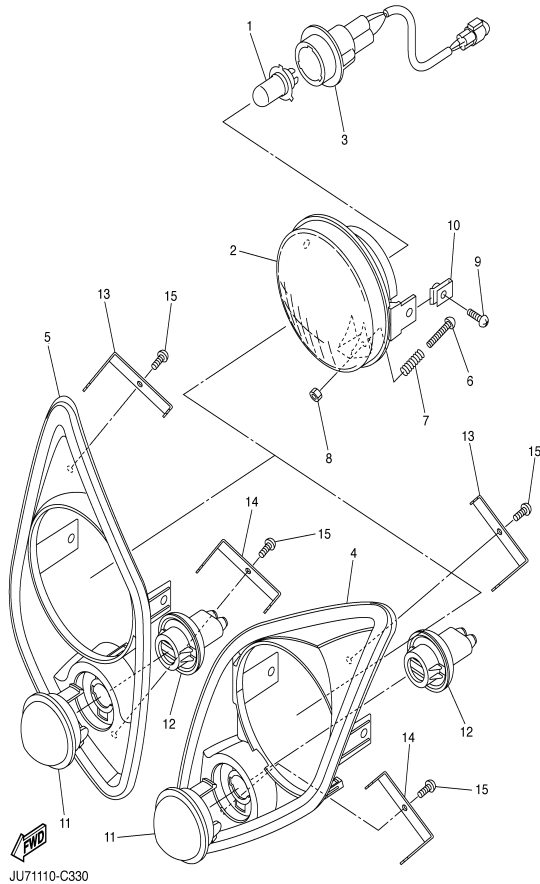
D6

# HEADLIGHT

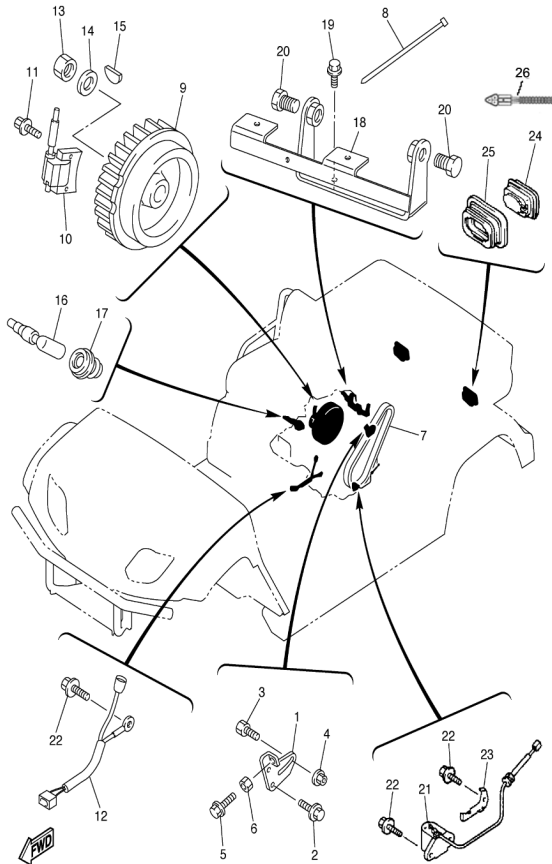
Ref. No.	Part Number	Description	Qty	Remarks
1	5FU-H4314-00-00	BULB, HEADLIGHT (12V-30/30W)	2	
2	5FU-H4320-00-00	LENS ASSY	2	
3	5FU-H4340-00-00	SOCKET CORD ASSY 1	2	
4	JU7-H411T-00-00	HOLDER, 1	1	LH
5	JU7-H411U-00-00	HOLDER, 2	1	RH
6	98507-03540-00	SCREW, PAN HEAD	2	
7	90501-10060-00	SPRING, COMPRESSION	2	
8	2GU-84334-00-00	NUT, ADJUSTING	2	
9	90150-05802-00	SCREW, ROUND HEAD	4	
10	90183-05008-00	NUT, SPRING	4	
11	JU7-H5415-00-00	MARK, SIGNAL LAMP	2	
12	JU7-H3547-00-00	COVER, SOCKET	2	
13	JU7-H4118-01-00	STAY, HEADLIGHT 1	2	
14	JU7-H4119-01-00	STAY, HEADLIGHT 2	2	
15	97707-40112-00	SCREW, TAPPING	4	

## CONTENTS

ACCELERATOR	C1
AIR SHROUD FAN	A8
BODY	C11-12
BODY 2	D1
BODY FITTING	D2
BRAKE	B9-10
BRAKE 2	B11
BRAKE 3	B12
BUMPER	C10
CAMSHAFT VALVE	A7
CARBURETOR	A10
CARRIER	D3
CRANKCASE	A12
CRANKSHAFT PISTON	A6
CYLINDER HEAD	A5
ELECTRICAL 1	D8
ELECTRICAL 2	D9-10
ENGINE ASSEMBLY	A4
ENGINE BRACKET	B1
EXHAUST	A11
FRAME	B3
FRONT SUSPENSION WHEEL	B4-5
FUEL TANK	B8
GOVERNOR	C2
HEADLIGHT	D7
INTAKE	A9
PRIMARY SHEAVE	C3
REAR ARM SUSPENSION	B2
REAR AXLE MOUNT WHEEL	C8
SEAT	D4
SECONDARY SHEAVE	C4
SHIFTER CABLES	C9
STARTING MOTOR	D5-6
STEERING	B6-7
TRANSMISSION 1	C5-7



D7



JW41110-C340  
Modified

## ELECTRICAL 1

Ref. No.	Part Number	Description	Qty	Remarks
1	JN6-H1170-00-00	TENSIONER ASSY .....	1	
2	9582P-08020-00	BOLT, FLANGE .....	2	
3	90109-08875-00	BOLT .....	1	
4	95707-08500-00	.NUT, FLANGE .....	1	
5	90101-06478-00	BOLT .....	1	
6	95307-06600-00	NUT .....	1	
7	JN6-H1173-00-00	BELT .....	1	
8	90464-09823-00	CLAMP .....	1	
9	JR7-85650-00-00	ROTOR ASSY .....	1	
10	JN6-85640-01-00	T.C.I. UNIT ASSY .....	1	
11	95827-06025-00	BOLT, FLANGE .....	2	
12	JN6-82318-00-00	WIRE, SUB-LEAD .....	1	
13	95307-18600-00	NUT .....	1	
14	90201-18620-00	WASHER, PLATE .....	1	
15	90280-04052-00	KEY, WOODRUFF .....	1	
16	JN6-82370-00-00	PLUG CAP ASSY .....	1	
17	JE8-82372-00-00	SEAL, PLUG CAP .....	1	
18	JN6-H1171-00-00	BRACKET, STARTER GENERATOR .....	1	
19	9582P-08020-00	BOLT, FLANGE .....	2	
20	9581P-12025-00	BOLT, FLANGE .....	2	
21	JN6-85720-12-00	OIL LEVEL GAUGE ASSY .....	1	
22	95827-06012-00	BOLT, FLANGE .....	4	
23	JN6-85724-00-00	CLAMP .....	1	
24	JN3-H4700-00-00	TAILLIGHT ASSY .....	2	
25	JN3-H4718-00-00	GROMMET .....	2	
26	JU7-H2521-01-00	WIRE, LEAD (TAILLIGHT). ....	2	JU7-000501 ~

## CONTENTS

ACCELERATOR	C1
AIR SHROUD FAN	A8
BODY	C11-12
BODY 2	D1
BODY FITTING	D2
BRAKE	B9-10
BRAKE 2	B11
BRAKE 3	B12
BUMPER	C10
CAMSHAFT VALVE	A7
CARBURETOR	A10
CARRIER	D3
CRANKCASE	A12
CRANKSHAFT PISTON	A6
CYLINDER HEAD	A5
ELECTRICAL 1	D8
ELECTRICAL 2	D9-10
ENGINE ASSEMBLY	A4
ENGINE BRACKET	B1
EXHAUST	A11
FRAME	B3
FRONT SUSPENSION WHEEL	B4-5
FUEL TANK	B8
GOVERNOR	C2
HEADLIGHT	D7
INTAKE	A9
PRIMARY SHEAVE	C3
REAR ARM SUSPENSION	B2
REAR AXLE MOUNT WHEEL	C8
SEAT	D4
SECONDARY SHEAVE	C4
SHIFTER CABLES	C9
STARTING MOTOR	D5-6
STEERING	B6-7
TRANSMISSION 1	C5-7

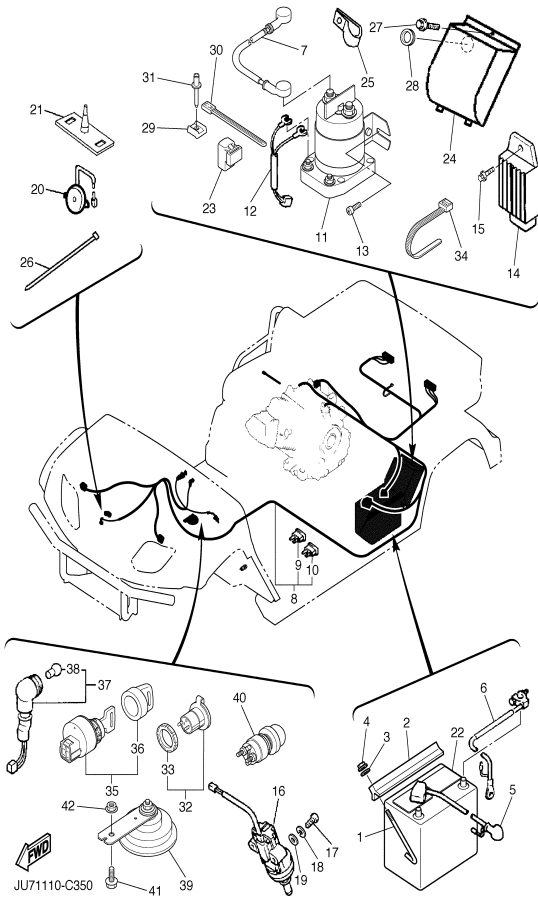
## ELECTRICAL 2

Ref. No.	Part Number	Description	Qty	Remarks
1	JN3-H2133-00-00	SCREW, FITTING	2	
2	J55-H2136-00-00	PLATE, BATTERY FITTING	1	
3	9290P-06200-00	WASHER	2	
4	95707-06500-00	NUT, FLANGE	2	
5	JU7-H2115-00-00	WIRE, PLUS LEAD	1	
6	JN6-H2116-01-00	WIRE, MINUS LEAD	1	
7	JN6-H2117-00-00	WIRE, LEAD	1	
8	JU7-H2590-01-00	WIRE HARNESS ASSY	1	~ JU7-000500
	JU7-H2590-02-00	WIRE HARNESS ASSY	1	JU7-000501 ~
9	JN6-H2151-00-00	. FUSE (10 A)	2	
10	JU7-H2151-00-00	. FUSE (20 A)	1	
11	JR3-H1950-00-00	RELAY ASSY	1	
12	JN6-H2105-00-00	WIRE HARNESS	1	
13	90163-06005-00	SCREW, TAPPING	2	
14	JF2-81910-01-00	VOLTAGE REGULATOR ASSY	1	
15	90105-06876-00	BOLT, FLANGE	1	
16	JF7-82817-20-00	SWITCH	1	
17	98507-05025-00	SCREW, PAN HEAD	2	
18	92907-05100-00	WASHER, SPRING	2	
19	92907-05600-00	WASHER, PLATE	2	
20	JR1-H3383-01-00	BUZZER	1	
21	JN6-H3386-01-00	STAY, BUZZER	1	
22	JG5-H2110-01-00	BATTERY - OBTAIN LOCALLY	1	BCI GROUP 24, CCA: 400A
23	4U8-81950-02-00	RELAY ASSY	1	
24	JN6-H1942-00-00	COVER	1	
25	90461-16802-00	CLAMP	1	
26	90464-31827-00	CLAMP	3	
27	90105-06876-00	BOLT, FLANGE	2	
28	90480-25856-00	GROMMET	1	
29	90207-05800-00	WASHER, FINISH	1	
30	90464-40825-00	CLAMP	6	

## CONTENTS

ACCELERATOR	C1
AIR SHROUD FAN	A8
BODY	C11-12
BODY 2	D1
BODY FITTING	D2
BRAKE	B9-10
BRAKE 2	B11
BRAKE 3	B12
BUMPER	C10
CAMSHAFT VALVE	A7
CARBURETOR	A10
CARRIER	D3
CRANKCASE	A12
CRANKSHAFT PISTON	A6
CYLINDER HEAD	A5
ELECTRICAL 1	D8
ELECTRICAL 2	D9-10
ENGINE ASSEMBLY	A4
ENGINE BRACKET	A11
EXHAUST	B1
FRAME	B3
FRONT SUSPENSION WHEEL	B4-5
FUEL TANK	B8
GOVERNOR	C2
HEADLIGHT	D7
INTAKE	A9
PRIMARY SHEAVE	C3
REAR ARM SUSPENSION	B2
REAR AXLE MOUNT WHEEL	C8
SEAT	D4
SECONDARY SHEAVE	C4
SHIFTER CABLES	C9
STARTING MOTOR	D5-6
STEERING	B6-7
TRANSMISSION 1	C5-7

CONTINUED ON NEXT PAGE ►

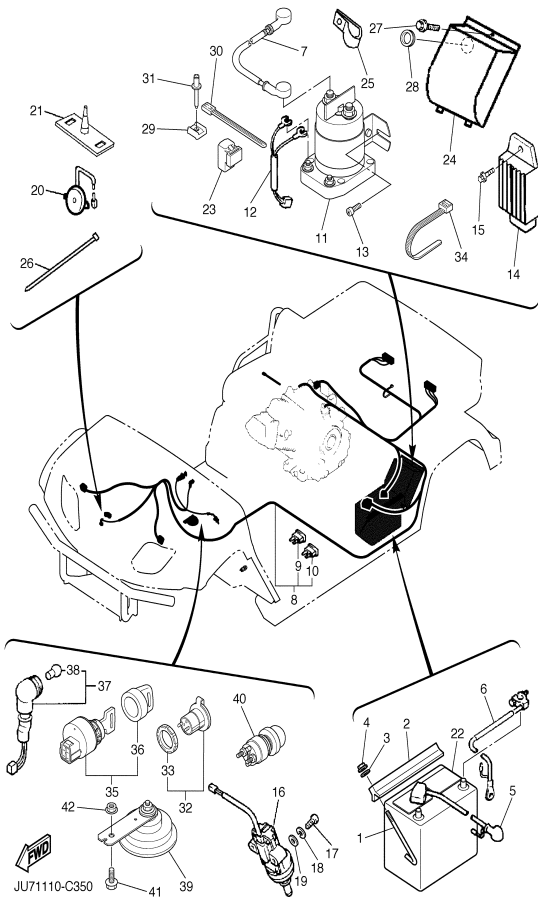


## ELECTRICAL 2

Ref. No.	Part Number	Description	Qty	Remarks
31	90267-489U9-00	RIVET, BLIND .....	1	
32	5FU-H1920-10-00	TERMINAL ASSY .....	1	
33	5FU-H191B-10-00	. NUT .....	1	
34	90464-14806-00	CLAMP .....	9	
35	JU7-H2510-00-00	MAIN SWITCH ASSY .....	1	STD RANDOM KEY SWITCH OPTIONAL COMMON KEY SWITCH
36	5UG-H2579-00-00	. CAP, KEY .....	1	
37	JN6-83530-00-00	PILOT LIGHT ASSY .....	1	
38	123-83516-21-00	. BULB (12V-3.4W) .....	1	
39	4LR-83371-10-00	HORN .....	1	
40	JR6-H270X-00-00	SWITCH .....	1	
41	9582P-06016-00	BOLT, FLANGE .....	1	
42	95707-06500-00	NUT, FLANGE .....	1	

## CONTENTS

ACCELERATOR	C1
AIR SHROUD FAN	A8
BODY	C11-12
BODY 2	D1
BODY FITTING	D2
BRAKE	B9-10
BRAKE 2	B11
BRAKE 3	B12
BUMPER	C10
CAMSHAFT VALVE	A7
CARBURETOR	A10
CARRIER	D3
CRANKCASE	A12
CRANKSHAFT PISTON	A6
CYLINDER HEAD	A5
ELECTRICAL 1	D8
ELECTRICAL 2	D9-10
ENGINE ASSEMBLY	A4
ENGINE BRACKET	A1
EXHAUST	B1
FRAME	B3
FRONT SUSPENSION WHEEL	B4-5
FUEL TANK	B8
GOVERNOR	C2
HEADLIGHT	D7
INTAKE	A9
PRIMARY SHEAVE	C3
REAR ARM SUSPENSION	B2
REAR AXLE MOUNT WHEEL	C8
SEAT	D4
SECONDARY SHEAVE	C4
SHIFTER CABLES	C9
STARTING MOTOR	D5-6
STEERING	B6-7
TRANSMISSION 1	C5-7



D10