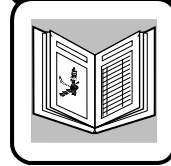


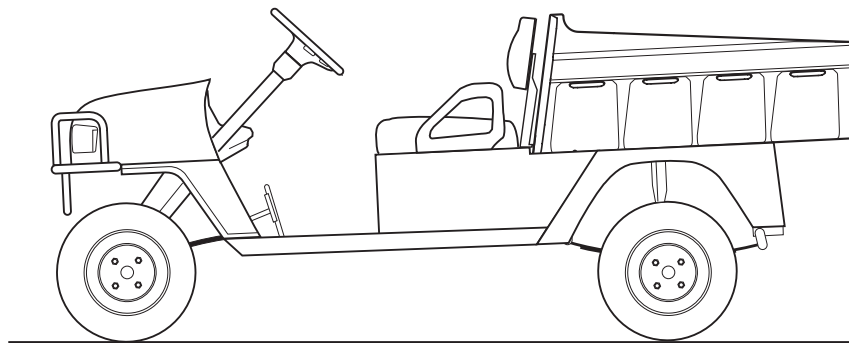
604973



A Textron Company



SERVICE PARTS MANUAL



GASOLINE POWERED UTILITY VEHICLES

ISSUE DATE: APRIL 2006

SERVICE PARTS MANUAL

GASOLINE POWERED UTILITY VEHICLES

E-Z-GO ST 480

E-Z-GO ST 480 (CAMO)

JACOBSEN 4800

STARTING MODEL YEAR 2006+

TEXTRON Golf, Turf & Specialty Products reserves the right to make design changes without obligation to make these changes on units previously sold and the information contained in this manual is subject to change without notice.

TEXTRON Golf, Turf & Specialty Products is not liable for errors in this manual or for incidental or consequential damages that result from the use of the material in this manual.

CUSTOMER SERVICE DEPARTMENT IN USA PHONE: 1-800-241-5855 FAX: 1-800-448-8124

OUTSIDE USA PHONE: 010-1-706-798-4311, FAX: 010-1-706-771-4609

TEXTRON GOLF, TURF & SPECIALTY PRODUCTS, P.O.BOX 388, AUGUSTA, GEORGIA USA 30903-0388

NOTES

To obtain a copy of the limited warranty applicable to the vehicle, call or write a local Distributor, an authorized Branch or the Warranty Department with vehicle serial number and manufacture date code.

The use of non Original Equipment Manufacturer (OEM) approved parts may void the warranty.

Tampering with or adjusting the governor to permit vehicle to operate at above factory specifications will void the vehicle warranty.

When servicing engines, all adjustments and replacement components must be per original vehicle specifications in order to maintain the United States of America Federal and State emission certification applicable at time of manufacture.

BATTERY PROLONGED STORAGE

All batteries will self discharge over time. The rate of self discharge varies depending on the ambient temperature and the age and condition of the batteries.

A fully charged battery will not freeze in winter temperatures unless the temperature falls below -75° F (-60° C).

TABLE OF CONTENTS

SECTION	Page No.
HOW TO USE THE SERVICE PARTS MANUAL	v
ILLUSTRATED PARTS BREAKDOWN	vii
ACCELERATOR	A-1
AIR CLEANER	B-1
BODY	C-1
BRAKES	D-1
PARK BRAKE	E-1
CLUTCH	F-1
DIRECTION SELECTOR	G-1
ELECTRICAL SYSTEM	H-1
ENGINE	J-1
FRONT SUSPENSION	K-1
FUEL SYSTEM	L-1
REAR AXLE	M-1
REAR SUSPENSION	N-1
SEATS	P-1
STARTER / GENERATOR	Q-1
STEERING	R-1
TRUCK BED	S-1
WEATHER PROTECTION	T-1
WHEELS AND TIRES	U-1
WINCH	W-1
OPTIONS/ACCESSORIES	APPENDIX A-1

HOW TO USE THE SERVICE PARTS MANUAL

This manual is divided into several sections:

GENERAL INFORMATION

- TABLE OF CONTENTS
- HOW TO USE THE SERVICE PARTS MANUAL

ILLUSTRATED PARTS BREAKDOWN

- Contains illustrations and parts lists for all systems of the vehicle

APPENDIX

- Contains a listing of specialty products and options/accessories

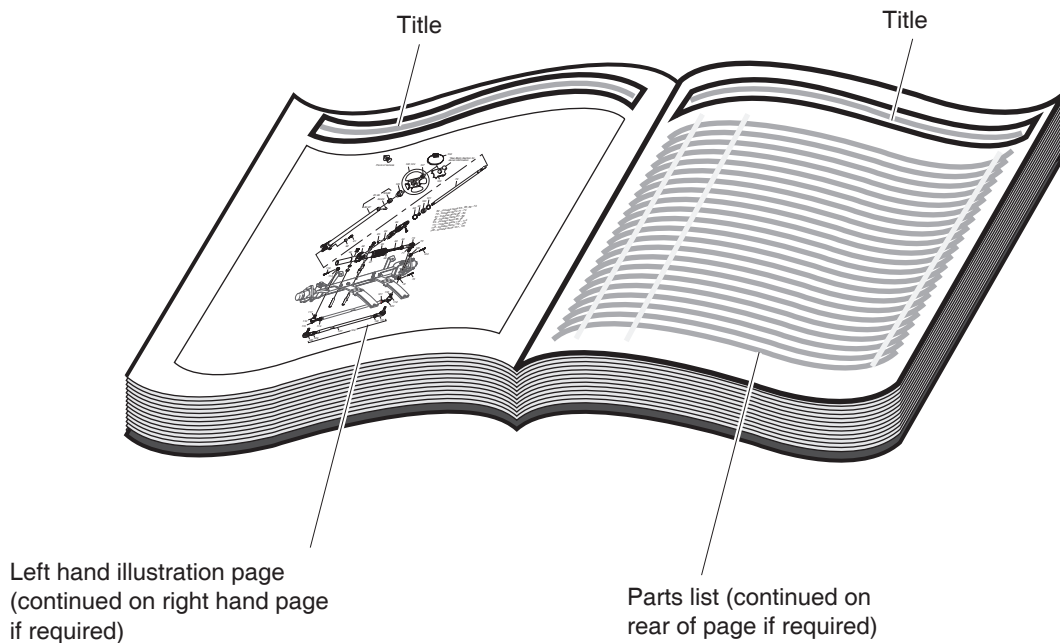
USE OF THE MANUAL

To use this manual, consult the TABLE OF CONTENTS (page iii) to locate the information or illustration required.

Introduction of some revisions varies due to supply of components; therefore, it is possible that various combinations of components may be found that are not directly reflected by each illustration. Consult the illustration that best suits your situation. Locate the serial number plate (see BODY located in the Illustrated Parts Breakdown section of this manual for its location) and note the complete number shown on the plate. It is important that the serial number of your vehicle and its model number be supplied to Service Parts when ordering any replacement components.

Locate the serial number plate (see BODY located in the Illustrated Parts Breakdown section of this manual for its location) and note the complete number shown on the plate.

HOW TO USE THE SERVICE PARTS MANUAL



1. WHEN THE PART NUMBER IS NOT KNOWN

- Determine the function and application of the part required. Turn to the INDEX OF MAJOR COMPONENTS and select the most appropriate component description.
- Turn to the page number indicated and locate the part description in the parts list. Read the full accompanying description for specific information regarding the part that was not shown in the index.
- From the parts list, obtain the item number assigned to it and confirm that the part selected is correct by verifying it with the pictorial representation on the illustrated page.

2. IF YOU KNOW THE PART NUMBER

- Use the INDEX OF MAJOR COMPONENTS to find the page(s) the part number appears on.
- Turn to the page number indicated and locate the part number in the parts list. Refer to the accompanying description for specific information regarding the part.
- From the parts list, obtain the item number assigned to it and confirm that the part selected is correct by verifying it with the pictorial representation on the illustrated page.

Should an asterisk (*) appear in the part number column on the parts list page, read upwards until a part number is found. The part number is the lowest assembly sold by Service Parts. The asterisk (*) indicates that the part depicted is not available for purchase.

NOTE: Descriptions are indented under the assembly that they are used on. That assembly is, in turn listed under the assembly that it is used on. This process is repeated until the highest final assembly is reached.

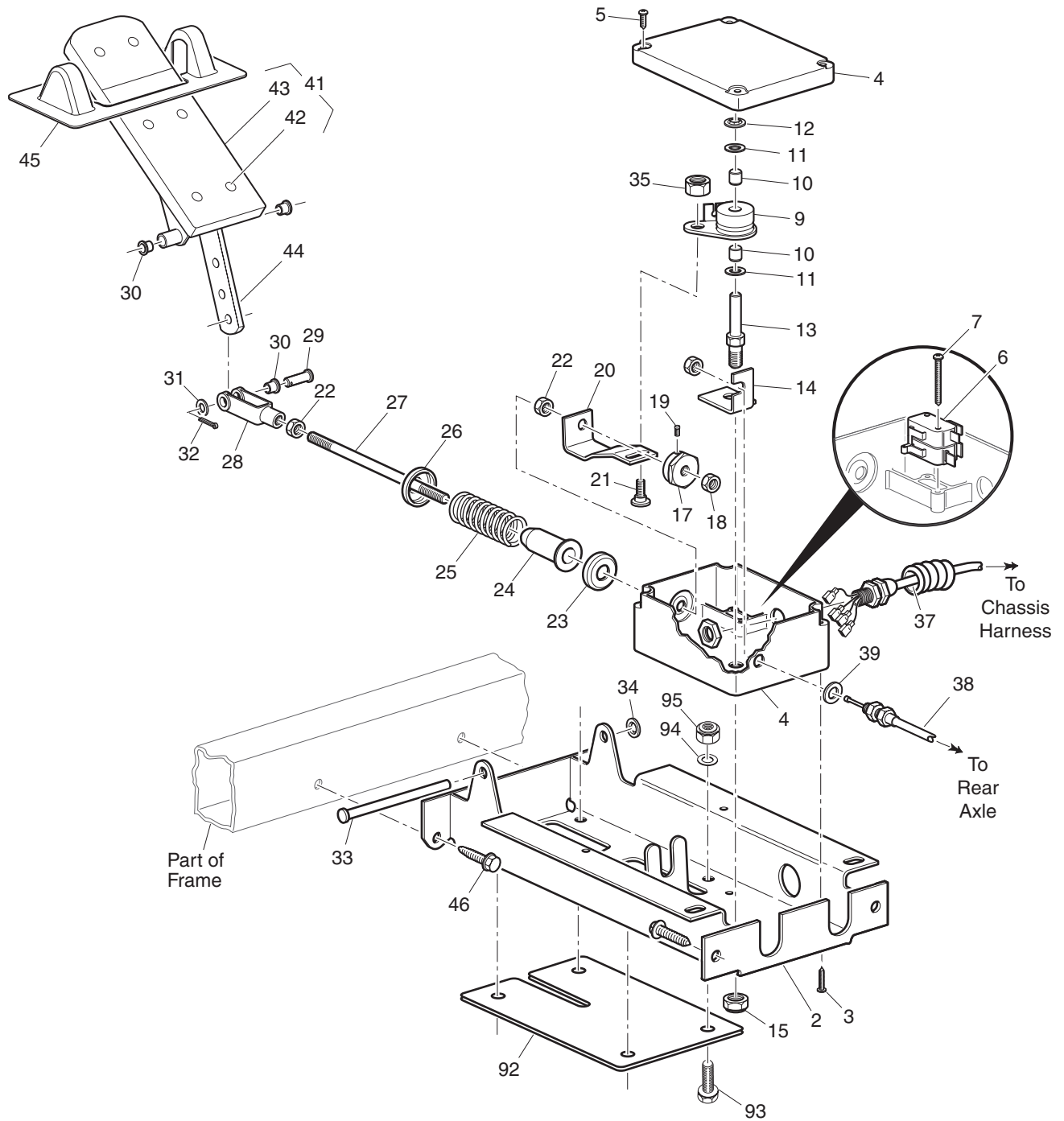
To facilitate the maintenance and repair of the vehicle, a Technician's Repair and Service Manual is available from the Service Parts Department.

ILLUSTRATED PARTS BREAKDOWN

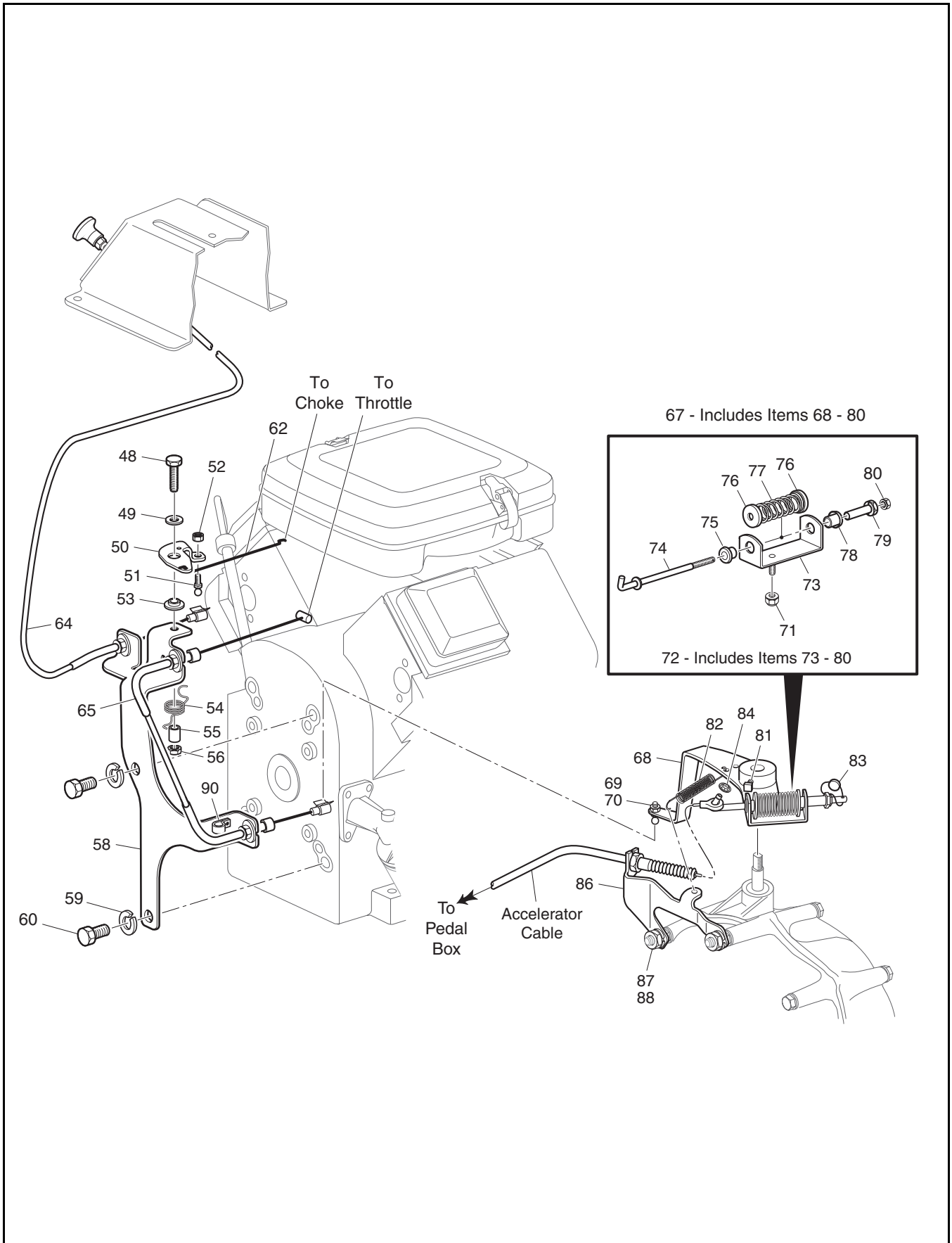
ILLUSTRATED PARTS BREAKDOWN

ACCELERATOR

- 1 - Includes Items 2 - 44
- 40 - Includes Items 41 - 44
- 41 - Includes Items 42, 43



ACCELERATOR



ACCELERATOR

When ordering parts, please specify the model and serial number of the product.

* Indicates a component that is not available as an individual part.

G** Indicates consult Customer Service Department for additional information.

ITEM	PART NO.	1 2 3 4 5	DESCRIPTION	QTY.
1	75765-G03		PEDAL BOX ASSEMBLY (INCLUDES ITEMS 2 - 44)	1
2	70116-G02		ACCELERATOR PEDAL BRACKET	1
3	01051-G01		SCREW, #8 - 16 X 1/2" LG	4
4	25853-G02		PEDAL BOX AND COVER	1
5	00684-G6		SCREW, #8 - 32 X 3/4" LG (STAINLESS STEEL)	4
6	75652-G01		MICRO SWITCH	1
7	01050-G02		SCREW, #4 - 20 X 1 1/8" LG	2
8				
9	72066-G01		CONTROL ARM	1
10	23860-G1		BEARING	2
11	24621-G1		NYLON WASHER, 5/16"	2
12	12064-G1		PUSH NUT, 5/16"	1
13	25768-G01		PIVOT ROD	1
14	72199-G01		PIVOT BRACKET	1
15	14390-G1		LOCK NUT, 3/8 - 24	1
16				
17	72198-G03		MICRO SWITCH CAM	1
18	15126-G1		LOCK NUT, 5/16 - 24	1
19	00487-G3		SETSCREW, 1/4 - 20 X 3/8" LG	1
20	72074-G01		CONTROL ARM LINK	1
21	72225-G01		SHOULDER BOLT, #10 - 24 X 11/16" LG	1
22	00532-G4		NUT, 5/16 - 24	2
23	17677-G1		SPRING RETAINER, 1/2"	1
24	17979-G1		ACCELERATOR ROD BUSHING	1
25	73046-G01		COMPRESSION SPRING, 3/8"	1
26	17677-G2		SPRING RETAINER	1
27	72072-G01		ACCELERATOR ROD	1
28	10385-G4		CLEVIS YOKE (ADJUSTABLE)	1
29	10386-G3		CLEVIS PIN, 5/16" X 13/16" LG	1
30	17838-G1		NYLON BUSHING	3

ACCELERATOR

When ordering parts, please specify the model and serial number of the product.

* Indicates a component that is not available as an individual part.

G** Indicates consult Customer Service Department for additional information.

ITEM	PART NO.	1 2 3 4 5	DESCRIPTION	QTY.
31	17255-G1		TEFLON WASHER, 5/16".....	1
32	10387-G3		COTTER PIN, 3/32" X 3/4" LG	1
33	70134-G01		PEDAL PIVOT PIN	1
34	00986-G01		PUSH NUT, 5/16"	1
35	14390-G10		LOCK NUT, #10 - 24.....	1
36				
37	35679-G02		WIRE HARNESS (PEDAL BOX)	1
38	75639-G01		ACCELERATOR CABLE	1
39	00559-G8		WASHER, 5/16"	1
40	25799-G03		ACCELERATOR PEDAL ASSEMBLY (INCLUDES ITEMS 41 - 44)	1
41	27844-G01		ACCELERATOR PEDAL PAD KIT (INCLUDES ITEMS 42 - 43)	1
42	15766-G1		OVAL RIVET, 3/16" X 3/8" LG	6
43	*		ACCELERATOR PEDAL PAD.....	1
44	*		ACCELERATOR PEDAL.....	1
45	70135-G01		PEDAL PIVOT COVER.....	1
46	00715-G2		BOLT, 5/16 - 18 X 13/16" LG	4
47				
48	00415-G2		BOLT, 1/4 - 20 X 1 1/4" LG	1
49	00559-G7		WASHER, 1/4"	1
50	75679-G01		CHOKE PIVOT LEVER.....	1
51	15944-G1		BALL JOINT	1
52	00734-G5		LOCK NUT, #10 - 32	1
53	75677-G01		BUSHING	1
54	23577-G1		TORSION SPRING	1
55	23726-G7		SPACER, 9/16"	1
56	14390-G4		LOCK NUT, 1/4 - 20	1
57				
58	75651-G01		CHOKE AND GOVERNOR CABLE BRACKET	1
59	00566-G2		LOCK WASHER, 7/16".....	2
60	00462-G7		BOLT, 7/16 - 14 X 7/8" LG	2

ACCELERATOR

When ordering parts, please specify the model and serial number of the product.

* Indicates a component that is not available as an individual part.

G** Indicates consult Customer Service Department for additional information.

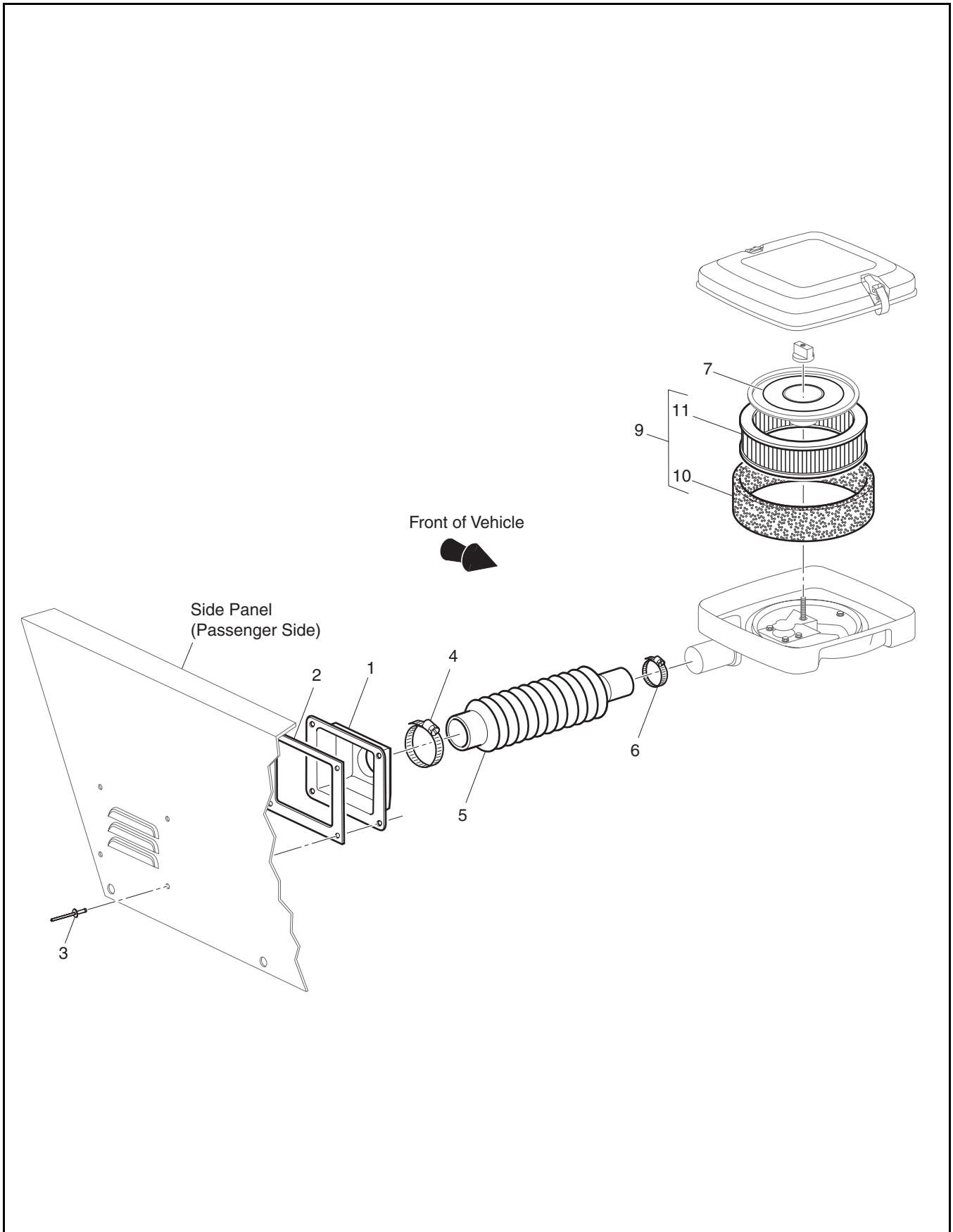
ITEM	PART NO.	1 2 3 4 5	DESCRIPTION	QTY.
61				
62	75650-G01		CHOKE LINK.....	1
63				
64	75712-G01		CHOKE CABLE.....	1
65	75675-G01		GOVERNOR CABLE.....	1
66				
67	75682-G01		GOVERNOR BELLCRANK ASSEMBLY (INCLUDES ITEMS 68 - 80).....	1
68	75681-G01		GOVERNOR BELLCRANK.....	1
69	15944-G1		BALL JOINT.....	1
70	00734-G5		LOCK NUT, #10 - 32.....	1
71	14390-G4		LOCK NUT, 1/4 - 20.....	1
72	22751-G2		GOVERNOR BRACKET ASSEMBLY (INCLUDES ITEMS 73 - 80).....	1
73	22752-G1		GOVERNOR BRACKET	1
74	25274-G1		GOVERNOR ROD	1
75	22754-G1		BUSHING	1
76	25661-G01		CUP WASHER.....	2
77	23578-G1		COMPRESSION SPRING.....	1
78	22754-G2		BUSHING	1
79	23859-G1		GOVERNOR ADJUSTER	1
80	00526-G4		NUT, #10 - 32.....	1
81	00491-G4		SETSCREW, 1/4 - 20 X 1/2" LG	2
82	25738-G01		SPRING.....	1
83	25286-G1		SAFETY SEAL, 3/8"	1
84	12064-G3		PUSH NUT, 3/16".....	1
85				
86	25653-G01		ACCELERATOR CABLE BRACKET.....	1
87	26826-G01		LOCK WASHER, 8 MM.....	2
88	26827-G01		NUT, M8 X 1.25 MM.....	2
89				
90	75832-G01		WIRE AND TUBE RETAINER, 3/8" CAPACITY	1

ACCELERATOR

When ordering parts, please specify the model and serial number of the product.
 * Indicates a component that is not available as an individual part.
 G** Indicates consult Customer Service Department for additional information.

ITEM	PART NO.	1 2 3 4 5	DESCRIPTION	QTY.
91				
92	75546-G01		PLATE	1
93	00414-G6		BOLT, 1/4 - 20 X 3/4" LG	4
94	00559-G7		WASHER, 1/4"	4
95	00654-G2		LOCK NUT, 1/4 - 20 (STAINLESS STEEL)	4

AIR CLEANER

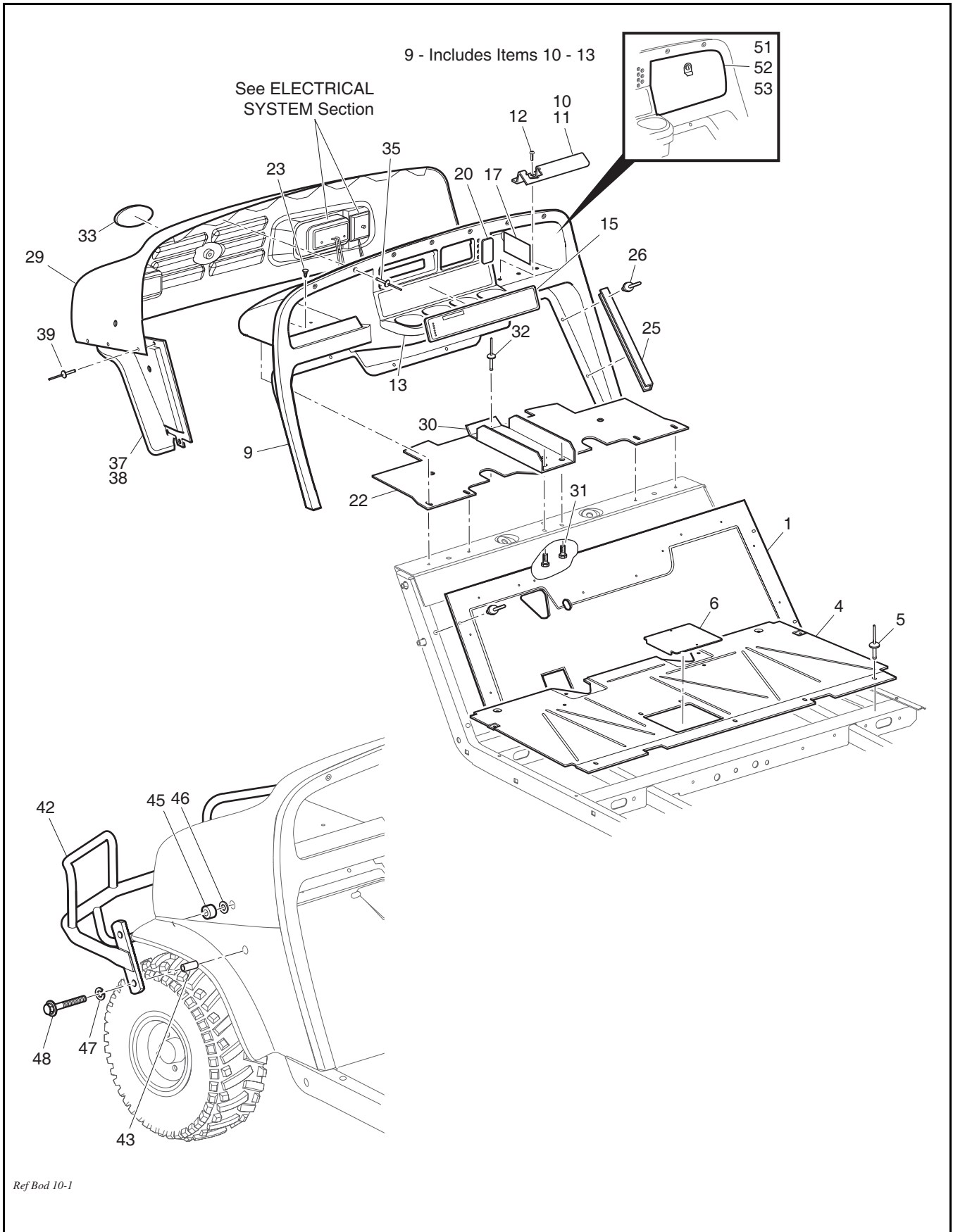


AIR CLEANER

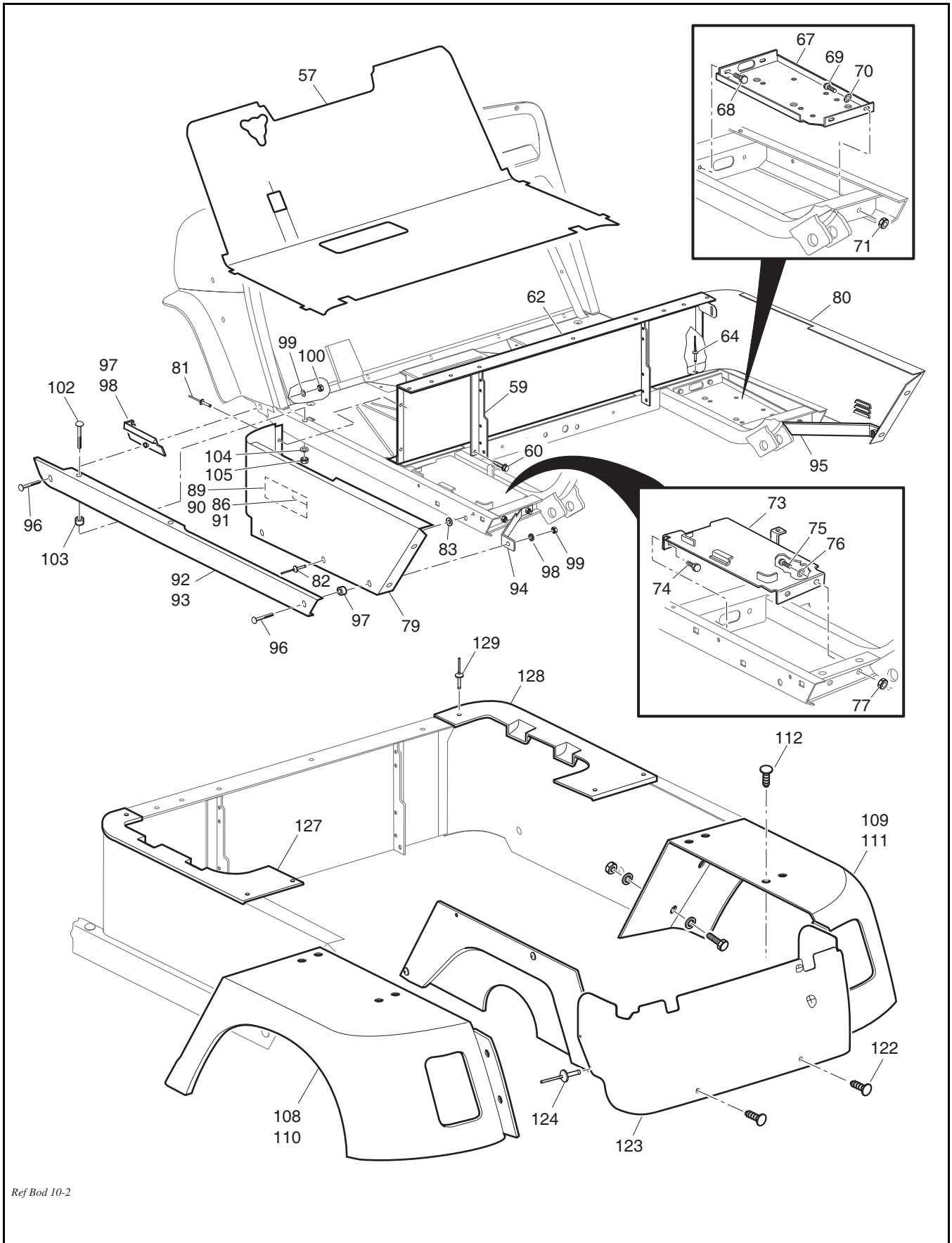
THE USE OF NON U.L. PARTS WILL VOID ANY U.L. LISTING.
 When ordering parts, please specify the model and serial number of the product.
 * Indicates a component that is not available as an individual part.
 G** Indicates consult Customer Service Department for additional information.

ITEM	PART NO.	1 2 3 4 5	DESCRIPTION	QTY.
1	72416-G01		INLET ADAPTER	1
2	72415-G01		GASKET	1
3	71055-G01		RIVET, 3/16" X 1" LG (ALUMINUM)	4
4	11391-G2		HOSE CLAMP, 2 1/16".....	1
5	72527-G01		HOSE	1
6	11391-G5		HOSE CLAMP, 13/16".....	1
7	74485-G01		DECAL	1
8				
9	5050		PRE-CLEANER AND AIR CLEANER CARTRIDGE (INCLUDES ITEMS 10, 11).....	1
10	272490		PRE-CLEANER	1
11	394018		AIR CLEANER CARTRIDGE.....	1

BODY

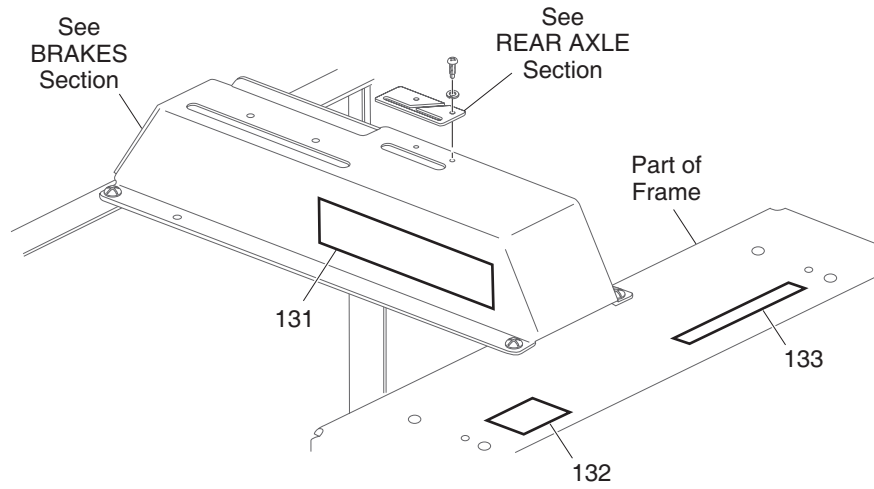


Ref Bod 10-1



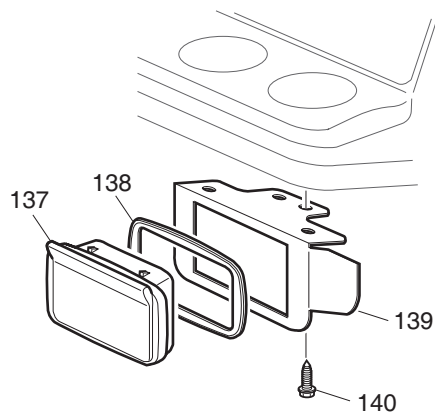
Ref Bod 10-2

BODY



ASH TRAY

136 - Includes Items 137 - 140

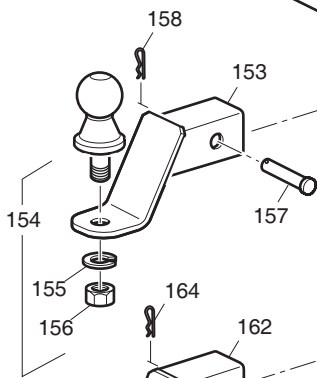


Ref Bod 10-3

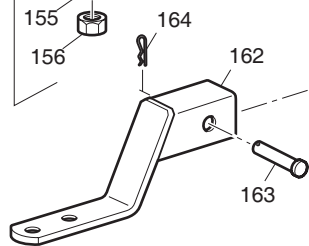
- 152 - Includes Items 153 - 158
- 161 - Includes items 162 - 164
- 167 - Includes items 168 - 172
- 175 - Includes Items 176 - 177
- 181 - Includes items 182 - 186
- 189 - Includes items 190 - 193

HITCHES

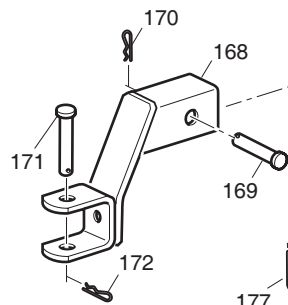
Dropped Heavy Duty Hitch



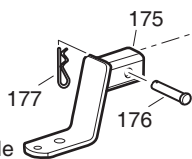
Dropped Angle Hitch



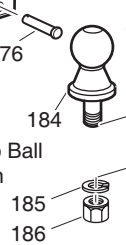
Dropped Clevis Hitch



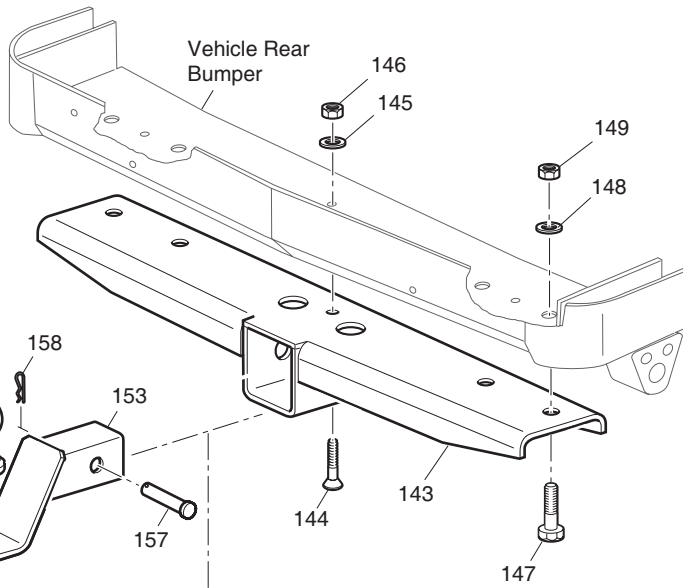
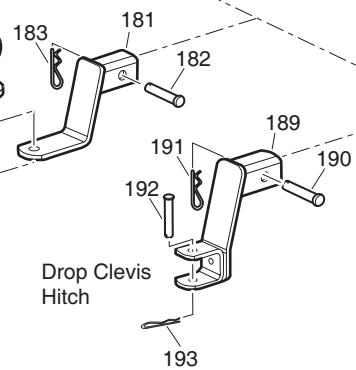
Drop Angle Hitch



Drop Ball Hitch



Drop Clevis Hitch



Ref Bod 10-4

BODY

THE USE OF NON U.L. PARTS WILL VOID ANY U.L. LISTING.

When ordering parts, please specify the model and serial number of the product.

* Indicates a component that is not available as an individual part.

G** Indicates consult Customer Service Department for additional information.

ITEM	PART NO.	1 2 3 4 5	DESCRIPTION	QTY.
1	71510-G01		UPPER FLOORPAN	1
2	14601-G11		RIVET, 3/16" X 9/16" LG (ALUMINUM)	9
3				
4	70451-G01		LOWER FLOORPAN	1
5	14601-G11		RIVET, 3/16" X 9/16" LG (ALUMINUM)	7
6	70452-G01		ACCESS COVER.....	1
7				
8				
9	71151-G03		INSTRUMENT PANEL ASSEMBLY (INCLUDES ITEMS 10 - 13).....	1
10	71153-G01		DEFLECTOR (PASSENGER SIDE).....	1
11	71154-G01		DEFLECTOR (DRIVER SIDE).....	1
12	00614-G5		SCREW, #8 - 18 X 5/8" LG.....	6
13	71158-G01		INSTRUMENT PANEL INSERT (FOUR CUP)	1
14				
15	35962-G01		LABEL (SAFETY).....	1
16				
17				
18				
19				
20	35968-G01		LABEL (TEE HOLDER COVER)	1
21				
22	71413-G01		SPLASH PANEL	1
23	16816-G2		RATCHET FASTENER, 1/4" X 3/4" LG	1
24				
25	71115-G01		VINYL TRIM	2
26	71055-G01		RIVET, 3/16" X 1" LG (ALUMINUM)	10
27				
28				
29	71468-G**		COWL.....	1
30	71101-G02		COWL SUPPORT BRACKET	1

THE USE OF NON U.L. PARTS WILL VOID ANY U.L. LISTING.

When ordering parts, please specify the model and serial number of the product.

* Indicates a component that is not available as an individual part.

G** Indicates consult Customer Service Department for additional information.

ITEM	PART NO.	1 2 3 4 5	DESCRIPTION	QTY.
31	71102-G02		BOLT, 1/4 - 20 X 1/2" LG	3
32	71055-G01		RIVET, 3/16" X 1" LG (ALUMINUM)	1
33	603489		NAMEPLATE, WOODS (COWL)	1
34				
35	71055-G01		RIVET, 3/16" X 1" LG (ALUMINUM)	7
36				
37	71338-G01		FENDER FLARE (DRIVER SIDE).....	1
38	71338-G02		FENDER FLARE (PASSENGER SIDE).....	1
39	71055-G01		RIVET, 3/16" X 1" LG (ALUMINUM)	6
40				
41				
42	74265-G02		BUMPER.....	1
43	75048-G04		SPACER 1"	2
44				
45	75048-G01		SPACER, 1/2"	2
46	00570-G2		WASHER, 5/16"	2
47	00905-G8		LOCK WASHER, 5/16".....	4
48	01035-G02		BOLT, 5/16 - 18 X 2 1/2" LG	4
49				
50				
51	75459-G01		GLOVE BOX DOORS (PAIR)	1
52	75459-G02		GLOVE BOX DOOR (DRIVER SIDE)	1
53	75459-G03		GLOVE BOX DOOR (PASSENGER SIDE)	1
54				
55				
56				
57	70048-G06		FLOORMAT W/HORN HOLES (1/8").....	1
58				
59	70440-G02		SEAT FRAME	1
60	00715-G2		BOLT, 5/16 - 18 X 13/16" LG	2

BODY

THE USE OF NON U.L. PARTS WILL VOID ANY U.L. LISTING.

When ordering parts, please specify the model and serial number of the product.

* Indicates a component that is not available as an individual part.

G** Indicates consult Customer Service Department for additional information.

ITEM	PART NO.	1 2 3 4 5	DESCRIPTION	QTY.
61				
62	75636-G**		SEAT SUPPORT PANEL.....	1
63				
64	10570-G10		RIVET, 5/32" X 9/16" LG (STAINLESS STEEL)	5
65				
66				
67	70244-G03		SPLASH PANEL	1
68	00715-G2		BOLT, 5/16 - 18 X 13/16" LG	2
69	00438-G8		BOLT, 5/16 - 18 X 1" LG	2
70	00559-G8		WASHER, 5/16"	2
71	11098-G6		LOCK NUT, 5/16 - 18.....	2
72				
73	600496		BATTERY TRAY	1
74	00715-G2		BOLT, 5/16 - 18 X 4/5" LG	2
75	00438-G8		BOLT, 5/16 - 18 X 1" LG	2
76	00559-G8		WASHER, 5/16"	2
77	11098-G6		LOCK NUT, 5/16 - 188	2
78				
79	71674-G**		SIDE PANEL (DRIVER SIDE).....	1
80	71674-G**		SIDE PANEL (PASSENGER SIDE)	1
81	10570-G10		RIVET, 5/32" X 9/16" LG8	4
82	10570-G12		RIVET, 1/4" X 9/16" LG (ALUMINUM)	4
83	16469-G1		WASHER, 1/4"	4
84				
85				
86	600821		DECAL (ST 480)	2
87				
88				
89	28915-G01		DECAL (JACOBSEN) (DRIVER SIDE)	2
90	28915-G02		DECAL (JACOBSEN) (PASSENGER SIDE)	2

THE USE OF NON U.L. PARTS WILL VOID ANY U.L. LISTING.
 When ordering parts, please specify the model and serial number of the product.
 * Indicates a component that is not available as an individual part.
 G** Indicates consult Customer Service Department for additional information.

ITEM	PART NO.	1 2 3 4 5	DESCRIPTION	QTY.
91	603664		DECAL (MAV 480)	2
92	71439-G03		ROCKER PANEL (DRIVER SIDE)	1
93	71439-G04		ROCKER PANEL (PASSENGER SIDE)	1
94	71440-G03		BRACE (DRIVER SIDE)	1
95	71440-G04		BRACE (PASSENGER SIDE)	1
96	00789-G2		SCREW, #10 - 24 X 1 1/4" LG	4
97	71424-G01		SPACER (DRIVER SIDE)	1
98	71424-G02		SPACER (PASSENGER SIDE)	1
99	00660-G5		WASHER, #10 (STAINLESS STEEL)	4
100	14390-G10		LOCK NUT, #10 - 24	4
101				
102	16705-G1		SCREW, 1/4 - 20 X 1" LG (STAINLESS STEEL)	4
103	23726-G2		SPACER, 1/4"	4
104	00559-G7		WASHER, 1/4"	4
105	14390-G4		LOCK NUT, 1/4 - 20	4
106				
107				
108	74893-G01		FENDER (DRIVER SIDE)	1
109	74893-G02		FENDER (PASSENGER SIDE)	1
110	74893-G03		FENDER WITH TAILLIGHT (DRIVER SIDE)	1
111	74893-G04		FENDER WITH TAILLIGHT (PASSENGER SIDE)	1
112	16816-G2		RATCHET FASTENER, 1/4" X 3/4" LG	8
113				
114				
115				
116				
117				
118				
119				
120				

BODY

THE USE OF NON U.L. PARTS WILL VOID ANY U.L. LISTING.
 When ordering parts, please specify the model and serial number of the product.
 * Indicates a component that is not available as an individual part.
 G** Indicates consult Customer Service Department for additional information.

ITEM	PART NO.	1 2 3 4 5	DESCRIPTION	QTY.
121				
122	16816-G2		RATCHET FASTENER, 1/4" X 3/4" LG	2
123	74890-G01		REAR PANEL.....	1
124	71055-G01		RIVET, 3/16" X 1" LG	4
125				
126				
127	74891-G01		SEAT FILLER PANEL (DRIVER SIDE)	1
128	74891-G02		SEAT FILLER PANEL (PASSENGER SIDE).....	1
129	10570-G10		RIVET, 5/32" X 9/16" LG (STAINLESS STEEL)	6
130				
131	74093-G01		LABEL (WARNING)	2
132	75696-G01		LABEL (HOT EXHAUST)	1
133	24880-G1		LABEL (GOVERNOR WARNING)	1
134				
135				
136	75109-G03		ASH TRAY KIT (INCLUDES ITEMS 137 - 140).....	1
137	27731-G01		ASH TRAY	1
138	27736-G01		GASKET	1
139	75108-G02		BRACKET	1
140	00100-G4		SCREW, #10 - 16 X 1/2" LG.....	4
141				
142				
143	74348-G02		HITCH RECEIVER	1
144	00198-G8		SCREW, 5/16 - 18 X 1" LG	1
145	00569-G8		WASHER, 5/16"	1
146	11098-G6		LOCK NUT, 5/16 - 18.....	1
147	00463-G4		BOLT, 7/16 - 14 X 1 1/2" LG	4
148	00922-G3		WASHER, 7/16"	4
149	00734-G1		LOCK NUT, 7/16 - 14	4
150				

THE USE OF NON U.L. PARTS WILL VOID ANY U.L. LISTING.
 When ordering parts, please specify the model and serial number of the product.
 * Indicates a component that is not available as an individual part.
 G** Indicates consult Customer Service Department for additional information.

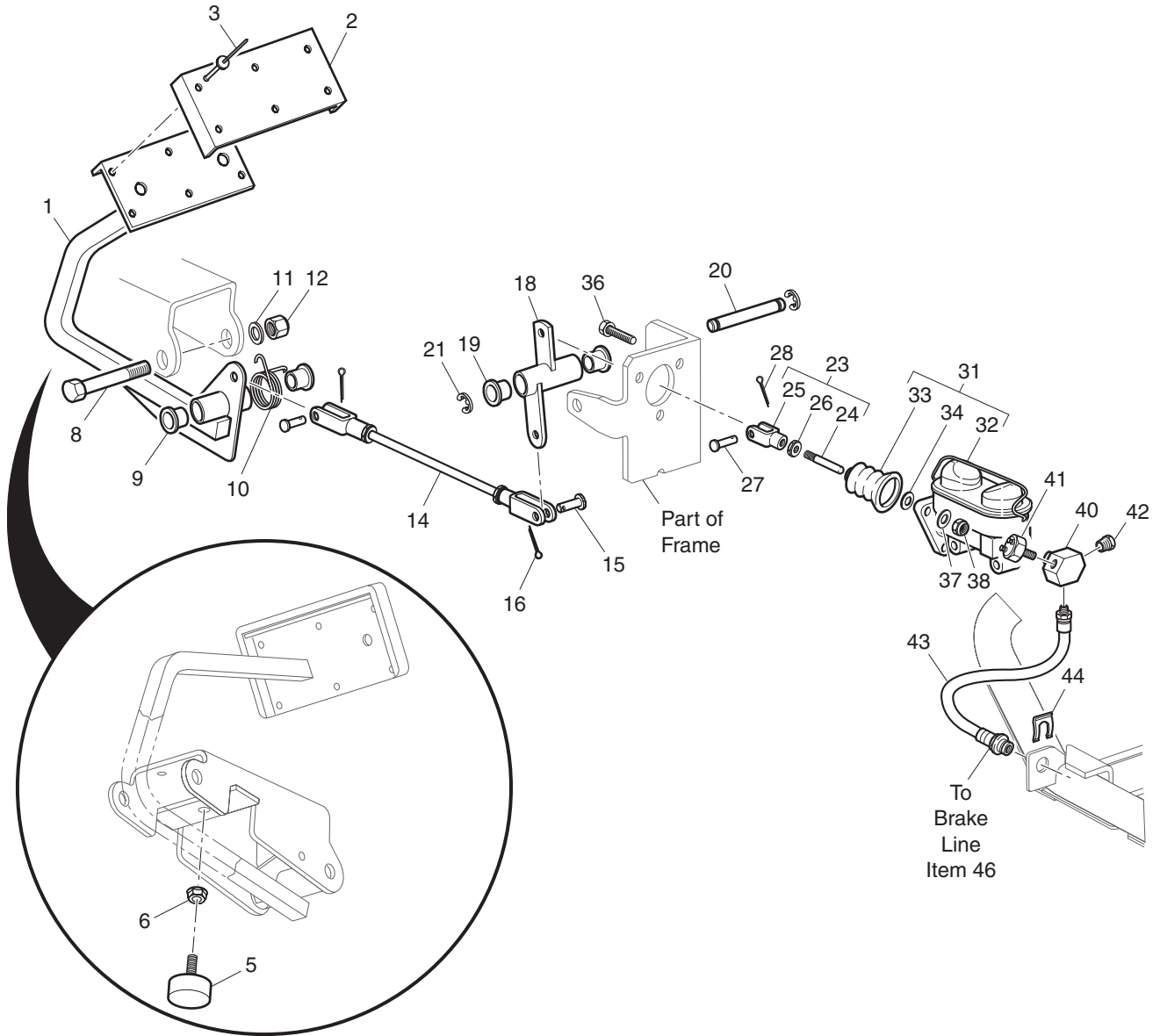
ITEM	PART NO.	1 2 3 4 5	DESCRIPTION	QTY.
151				
152	74492-G10		DROP BALL HITCH KIT (INCLUDES ITEMS 153 - 158).....	1
153	74491-G02		DROP BALL HITCH.....	1
154	31757-G1		HITCH BALL, 1 7/8" (INCLUDES ITEMS 155 - 156)	1
155	00566-G6		LOCK WASHER, 3/4".....	1
156	00702-G11		NUT, 3/4 - 16.....	1
157	21317-G01		CLEVIS PIN, 5/8" X 3" LG	1
158	21683-G1		COTTER PIN, 15/32" X 2 13/16" LG	1
159				
160				
161	74492-G08		DROP ANGLE HITCH KIT (INCLUDES ITEMS 162 - 164)	1
162	74489-G02		DROP ANGLE HITCH	1
163	21317-G01		CLEVIS PIN, 5/8" X 3" LG	1
164	21683-G1		COTTER PIN, 15/32" X 2 13/16" LG	1
165				
166				
167	74492-G12		DROP CLEVIS HITCH KIT (INCLUDES ITEMS 168 - 172).....	1
168	74495-G02		DROP CLEVIS HITCH.....	1
169	21317-G01		CLEVIS PIN, 5/8" X 3" LG	1
170	21683-G1		COTTER PIN, 15/32" X 2 13/16" LG	1
171	14443-G7		CLEVIS PIN, 1/2" X 2 5/8" LG	1
172	19314-G1		COTTER PIN, 2 1/2" LG	1
173				
174				
175	74489-G02		DROP ANGLE HITCH KIT (INCLUDES ITEMS 176 - 177)	1
176	21317-G01		CLEVIS PIN, 5/8" X 3" LG	1
177	21683-G1		COTTER PIN, 15/32" X 2 11/16" LG	1
178				
179				
180				

BODY

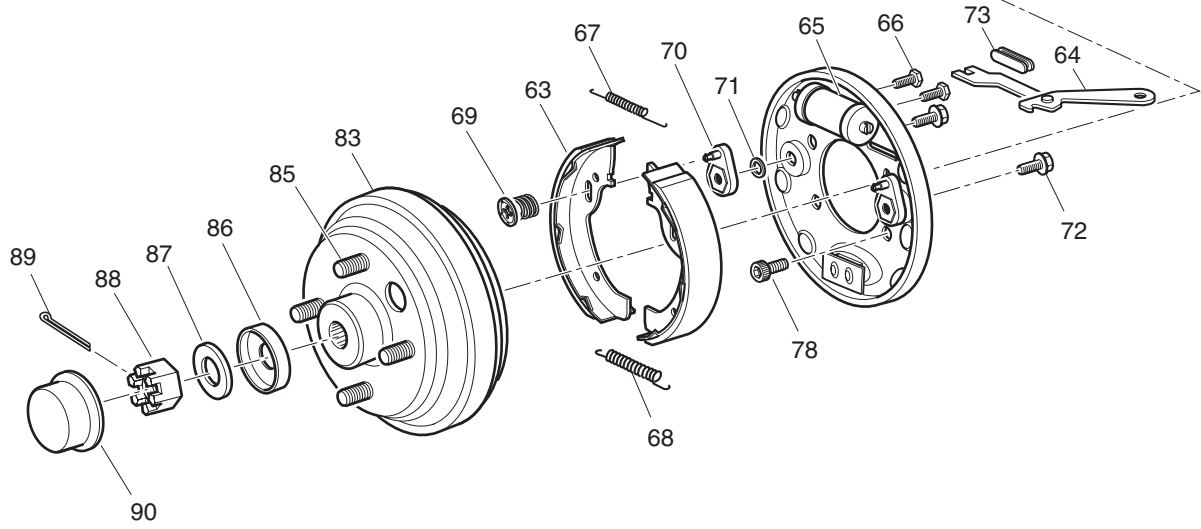
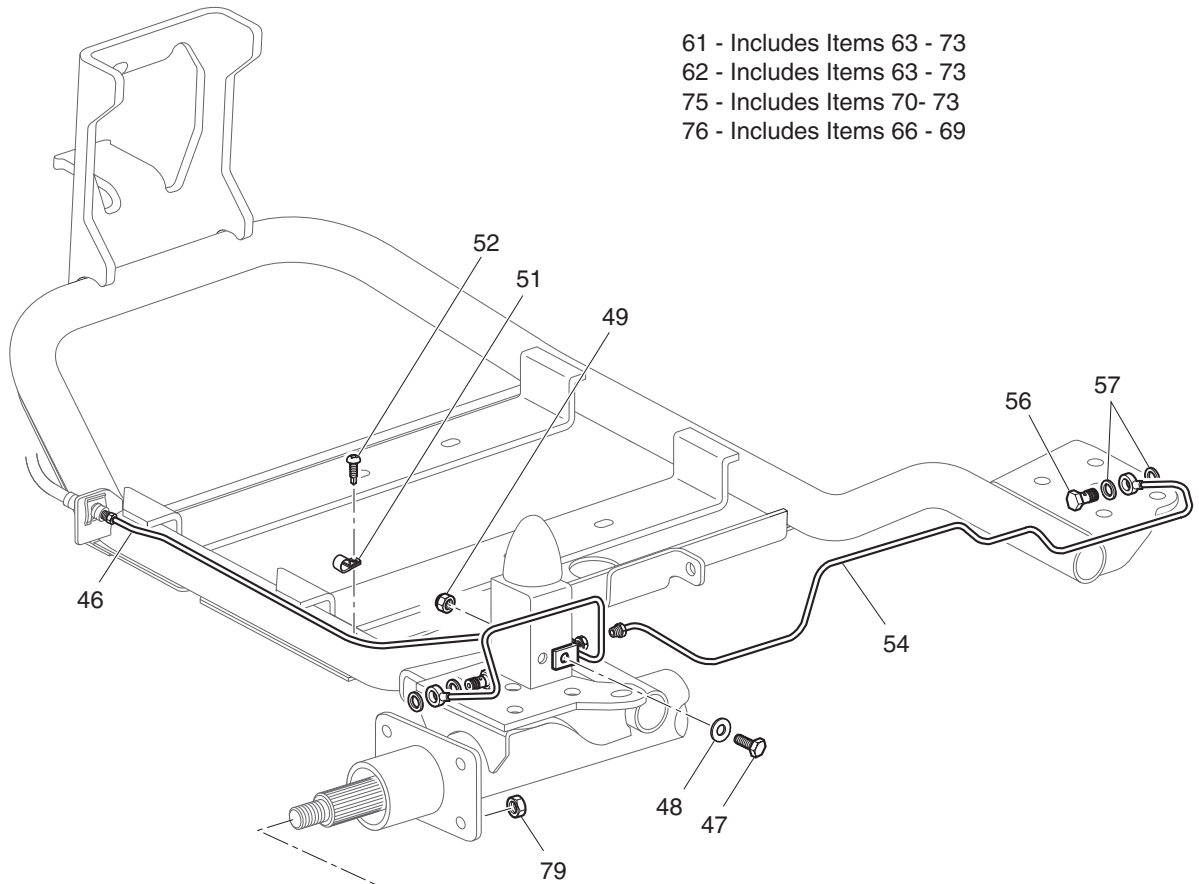
THE USE OF NON U.L. PARTS WILL VOID ANY U.L. LISTING.
 When ordering parts, please specify the model and serial number of the product.
 * Indicates a component that is not available as an individual part.
 G** Indicates consult Customer Service Department for additional information.

ITEM	PART NO.	1	2	3	4	5	DESCRIPTION	QTY.
181	74491-G02						DROP BALL HITCH KIT (INCLUDES ITEMS 182 - 186)	1
182	21317-G01						CLEVIS PIN, 5/8" X 3" LG	1
183	21683-G1						COTTER PIN, 15/32" X 2 11/16" LG	1
184	31757-G1						HITCH BALL, 1 7/8	1
185	00566-G6						LOCK WASHER, 3/4	1
186	00702-G11						NUT, 3/4 - 16	1
187								
188								
189	74495-G02						DROP CLEVIS HITCH (INCLUDES ITEMS 190 - 193)	1
190	21317-G01						CLEVIS PIN, 5/8" X 3" LG	1
191	21683-G1						COTTER PIN, 15/32" X 2 11/16" LG	1
192	14443-G7						CLEVIS PIN, 1/2" X 2 1/2" LG	1
193	19314-G1						COTTER PIN, 2 1/2" LG	1

BRAKES



- 61 - Includes Items 63 - 73
- 62 - Includes Items 63 - 73
- 75 - Includes Items 70- 73
- 76 - Includes Items 66 - 69



BRAKES

THE USE OF NON U.L. PARTS WILL VOID ANY U.L. LISTING.

When ordering parts, please specify the model and serial number of the product.

* Indicates a component that is not available as an individual part.

G** Indicates consult Customer Service Department for additional information.

ITEM	PART NO.	1 2 3 4 5	DESCRIPTION	QTY.
1	75605-G01		BRAKE PEDAL	1
2	70257-G01		BRAKE PEDAL PAD	1
3	14269-G1		RIVET, 3/16" X 1/2" LG	6
4				
5	70113-G01		ADJUSTABLE BUMPER.....	1
6	11027-G1		LOCK NUT, 5/16 - 18.....	1
7				
8	70582-G01		SHOULDER BOLT, 3/8 - 16 X 4" LG (STAINLESS STEEL).....	1
9	70581-G01		FLANGED BUSHING	2
10	70676-G01		TORSION SPRING	1
11	00643-G1		WASHER, 3/8"	1
12	11098-G5		LOCK NUT, 3/8 - 16.....	1
13				
14	34124-G02		LINKAGE ROD.....	1
15	10386-G3		CLEVIS PIN, 5/16" X 13/16" LG.....	2
16	10387-G3		COTTER PIN, 3/32" X 3/4" LG.....	2
17				
18	75607-G01		BELL CRANK	1
19	70581-G01		FLANGED BUSHING	2
20	70410-G02		SHAFT, 5 1/2" LG.....	1
21	01111-G01		RETAINING RING, 13/32" (STAINLESS STEEL)	2
22				
23	30298-G2		PUSH ROD ASSEMBLY (INCLUDES ITEMS 24 - 26)	1
24	30293-G2		PUSH ROD, 3 1/8" LG.....	1
25	21508-G1		CLEVIS YOKE	1
26	00544-G6		JAM NUT, 3/8 - 24	1
27	14443-G3		CLEVIS PIN, 5/16" X 1" LG.....	1
28	10387-G3		COTTER PIN, 3/32" X 3/4" LG.....	1
29				
30				

BRAKES

THE USE OF NON U.L. PARTS WILL VOID ANY U.L. LISTING.

When ordering parts, please specify the model and serial number of the product.

* Indicates a component that is not available as an individual part.

G** Indicates consult Customer Service Department for additional information.

ITEM	PART NO.	1	2	3	4	5	DESCRIPTION	QTY.
31	70643-G02						MASTER CYLINDER KIT (INCLUDES ITEMS 32 - 34)	1
32	*						MASTER CYLINDER.....	1
33	32768-G1						MASTER CYLINDER BOOT.....	1
34	00675-G1						WASHER, 3/8" (STAINLESS STEEL)	1
35								
36	00427-G4						BOLT, 3/8 - 16 X 1 1/2" LG	3
37	00560-G1						WASHER, 3/8"	3
38	11098-G5						LOCK NUT, 3/8 - 16.....	3
39								
40	26469-G01						BRANCH TEE (MALE)	1
41	21510-G1						BRAKE LIGHT SWITCH	1
42	21503-G1						PLUG.....	1
43	75621-G01						FLEXIBLE BRAKE HOSE	1
44	11456-G1						CLIP	1
45								
46	75644-G01						PRIMARY BRAKE LINE.....	1
47	00438-G6						BOLT, 5/16 - 18 X 3/4" LG	1
48	00559-G8						WASHER, 5/16"	1
49	11098-G6						LOCK NUT, 5/16 - 18.....	1
50								
51	11845-G5						INSULATED CABLE CLAMP, 3/8".....	1
52	00106-G6						SCREW, #12 - 24 X 3/4" LG	1
53								
54	75645-G01						SECONDARY BRAKE LINE	1
55								
56	75683-G01						BANJO BOLT	2
57	75684-G01						COPPER GASKET.....	4
58								
59								
60								

BRAKES

THE USE OF NON U.L. PARTS WILL VOID ANY U.L. LISTING.

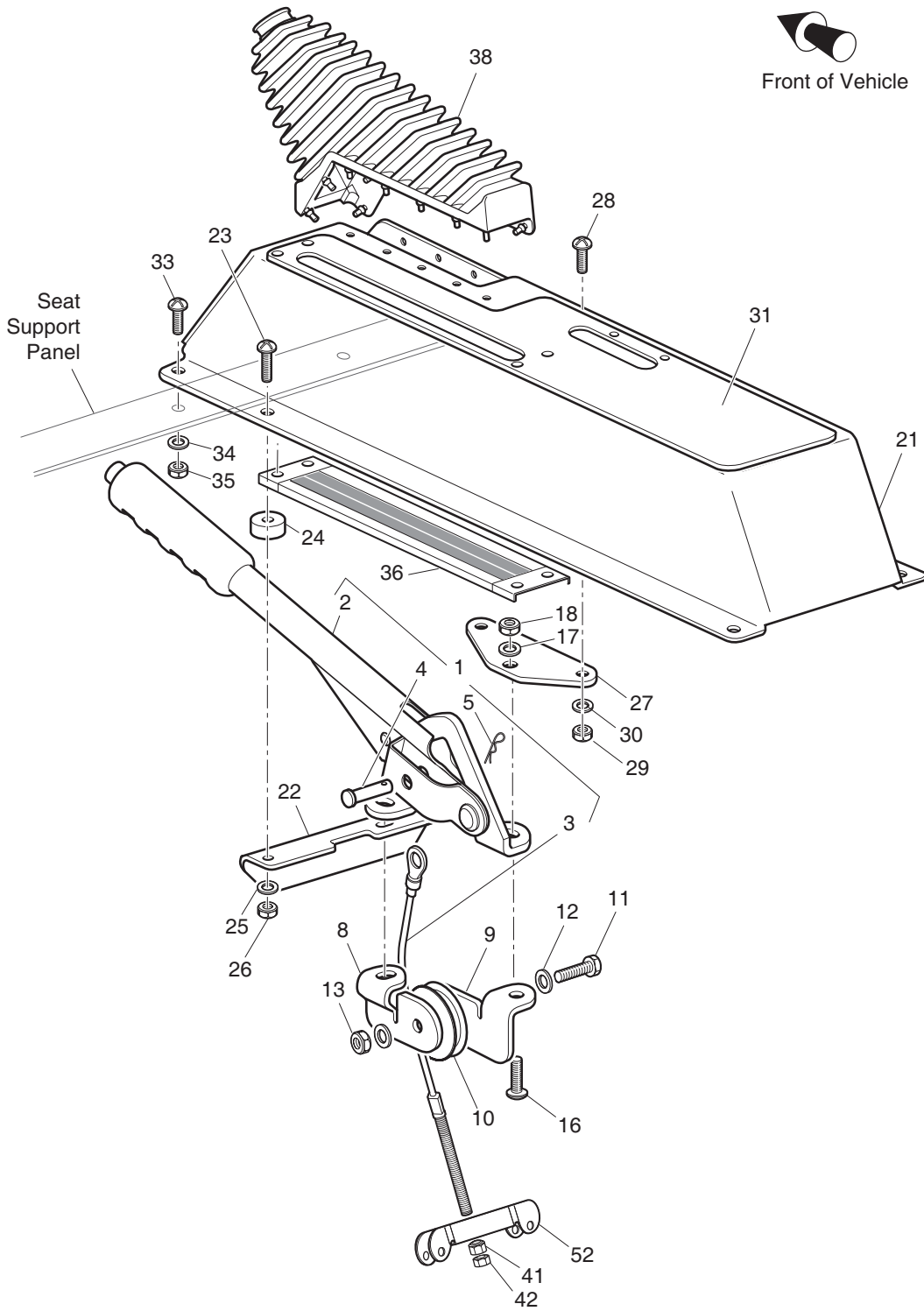
When ordering parts, please specify the model and serial number of the product.

* Indicates a component that is not available as an individual part.

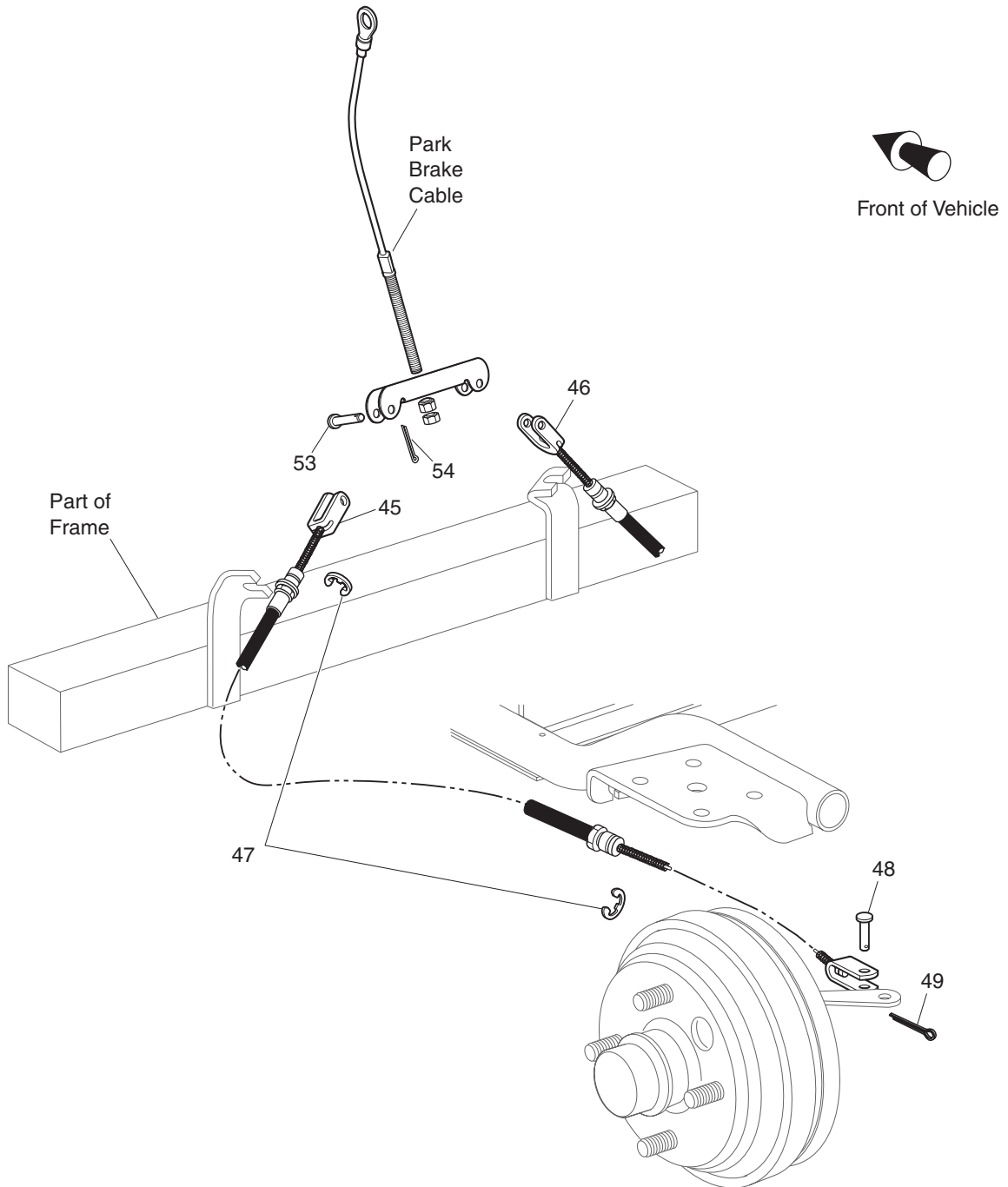
G** Indicates consult Customer Service Department for additional information.

ITEM	PART NO.	1 2 3 4 5	DESCRIPTION	QTY.
61	75685-G01		BRAKE ASSEMBLY (DRIVER SIDE) (INCLUDES ITEMS 63 - 73).....	1
62	75685-G02		BRAKE ASSEMBLY (PASSENGER SIDE) (INCLUDES ITEMS 63 - 73).....	1
63	75830-G01		BRAKE SHOE.....	2
64	75829-G**		PARK BRAKE WHEEL LEVER	1
65	75828-G01		WHEEL CYLINDER.....	1
66	*		WHEEL CYLINDER BOLT.....	2
67	*		UPPER RETURN SPRING.....	1
68	*		LOWER RETURN SPRING.....	1
69	*		CUP AND SPRING.....	2
70	*		ADJUSTER.....	2
71	*		WASHER.....	2
72	*		BOLT, 1/4 - 28 X 1/2" LG.....	2
73	*		DUST COVER.....	1
74				
75	75826-G01		ADJUSTER KIT (INCLUDES ITEMS 70 - 73).....	1
76	75827-G01		HARDWARE KIT (INCLUDES ITEMS 66 - 69).....	1
77				
78	75701-G01		SCREW, 5/16 - 24 X 3/4" LG.....	8
79	15126-G1		LOCK NUT, 5/16 - 24.....	8
80				
81				
82				
83	75573-G01		BRAKE DRUM ASSEMBLY (INCLUDES ITEMS 84 - 85).....	2
84	*		BRAKE DRUM.....	1
85	19862-G2		LUG BOLT, 1/2 - 20 X 1 11/16" LG.....	4
86	24939-G2		SPINDLE CAP ADAPTER.....	2
87	75586-G01		OUTER BRAKE DRUM WASHER.....	2
88	00518-G8		SLOTTED NUT, 3/4 - 16.....	2
89	10387-G1		COTTER PIN, 1/8" X 1 1/2" LG.....	2
90	12091-G2		SPINDLE CAP.....	2

PARK BRAKE



PARK BRAKE



PARK BRAKE

THE USE OF NON U.L. PARTS WILL VOID ANY U.L. LISTING.

When ordering parts, please specify the model and serial number of the product.

* Indicates a component that is not available as an individual part.

G** Indicates consult Customer Service Department for additional information.

ITEM	PART NO.	1 2 3 4 5	DESCRIPTION	QTY.
1	75791-G03		PARKING BRAKE LEVER ASSEMBLY (INCLUDES ITEMS 2 - 5)	1
2	75790-G01		PARKING BRAKE LEVER.....	1
3	75498-G01		PARKING BRAKE CABLE.....	1
4	*		COTTER PIN, 3.32"x1" LG	1
5	*		HAIRCLIP	1
6				
7				
8	75769-G01		PULLEY MOUNT BRACKET (DRIVER SIDE)	1
9	75768-G01		PULLEY MOUNT BRACKET (PASSENGER SIDE)	1
10	75789-G01		PULLEY, 2" DIA	1
11	00439-G4		BOLT, 5/16 - 18 X 1 1/2" LG	1
12	00559-G8		WASHER, 5/16"	2
13	11098-G6		LOCK NUT, 5/16 - 18	1
14				
15				
16	00976-G08		SCREW, 5/16 - 18 X 1" LG	2
17	00559-G8		WASHER, 5/16"	2
18	11098-G6		LOCK NUT, 5/16 - 18 (STAINLESS STEEL)	2
19				
20				
21	75968-G01		CENTER CONSOLE	1
22	75594-G01		SUPPORT BRACKET	1
23	16705-G1		SCREW, 1/4 - 20 X 1" LG (STAINLESS STEEL).....	2
24	23726-G12		SPACER, 3/8"	2
25	00559-G7		WASHER, 1/4"	2
26	14390-G4		LOCK NUT, 1/4 - 20	2
27	75773-G01		SUPPORT PLATE.....	1
28	16705-G3		SCREW, 1/4 - 20 X 3/4" LG (STAINLESS STEEL).....	2
29	00559-G7		WASHER, 1/4"	2
30	14390-G4		LOCK NUT, 1/4 - 20	2

PARK BRAKE

THE USE OF NON U.L. PARTS WILL VOID ANY U.L. LISTING.

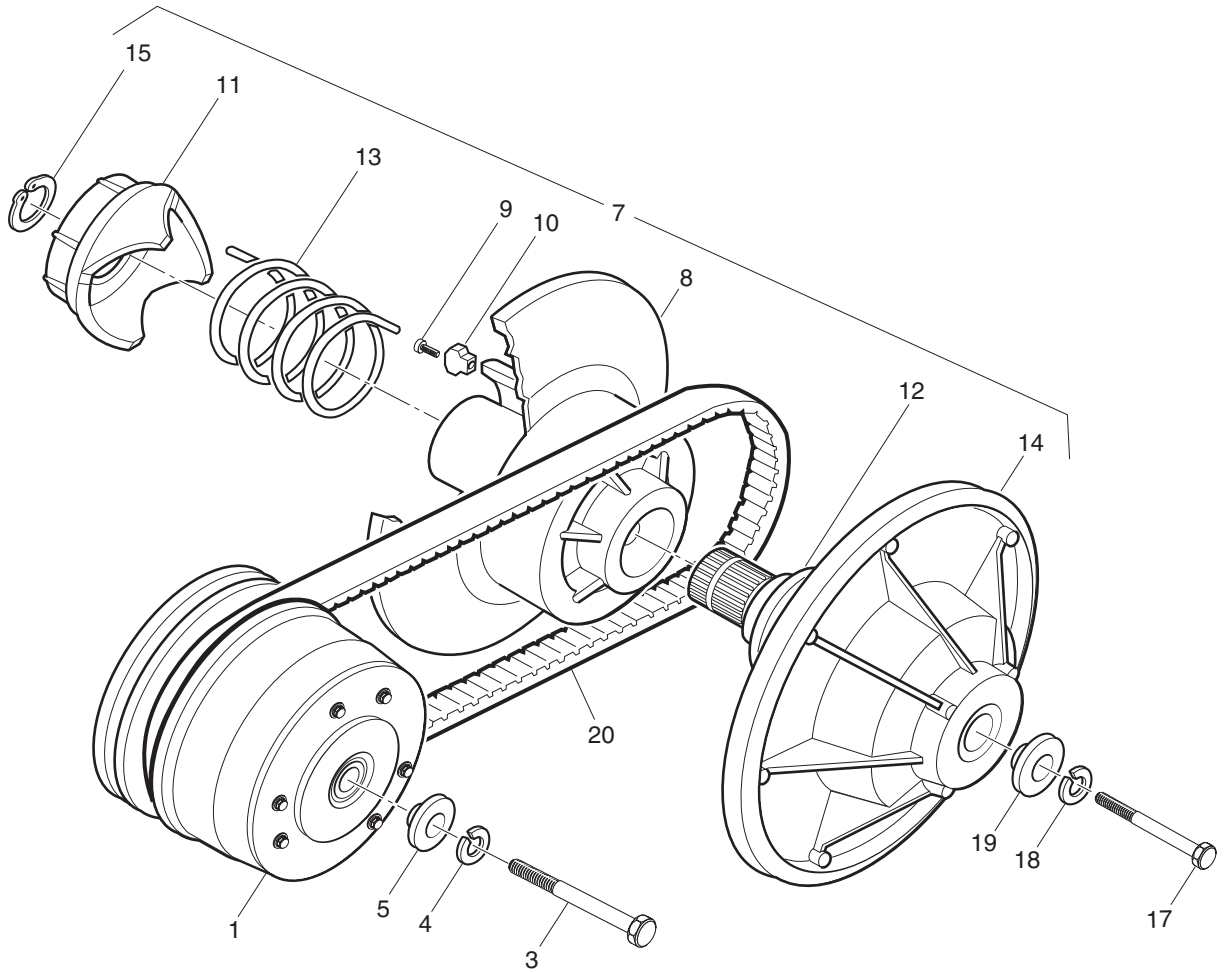
When ordering parts, please specify the model and serial number of the product.

* Indicates a component that is not available as an individual part.

G** Indicates consult Customer Service Department for additional information.

ITEM	PART NO.	1 2 3 4 5	DESCRIPTION	QTY.
31	75970-G01		DECAL (CENTER CONSOLE).....	1
32				
33	16705-G3		SCREW, 1/4 - 20 X 3/4" LG (STAINLESS STEEL).....	4
34	00559-G7		WASHER, 1/4"	4
35	14390-G4		LOCK NUT, 1/4 - 20	4
36				
37				
38	75821-G01		PARKING BRAKE BOOT	1
39				
40				
41	00963-G01		SPHERICAL NUT, 5/16 - 24	1
42	00544-G4		JAM NUT, 5/16 - 24.....	1
43				
44				
45	75595-G01		PARKING BRAKE CABLE (DRIVER SIDE).....	1
46	75595-G02		PARKING BRAKE CABLE (PASSENGER SIDE)	1
47	01111-G01		RETAINING RING, 13/32" (STAINLESS STEEL)	4
48	14443-G2		CLEVIS PIN, 5/16" X 13/16" LG.....	2
49	10387-G3		COTTER PIN, 3/32" X 3/4" LG.....	2
50				
51				
52	75499-G01		EQUALIZER	1
53	14443-G3		CLEVIS PIN, 5/16" X 13/16" LG.....	2
54	10387-G3		COTTER PIN, 3/32" X 3/4" LG.....	2

CLUTCH



CLUTCH

THE USE OF NON U.L. PARTS WILL VOID ANY U.L. LISTING.

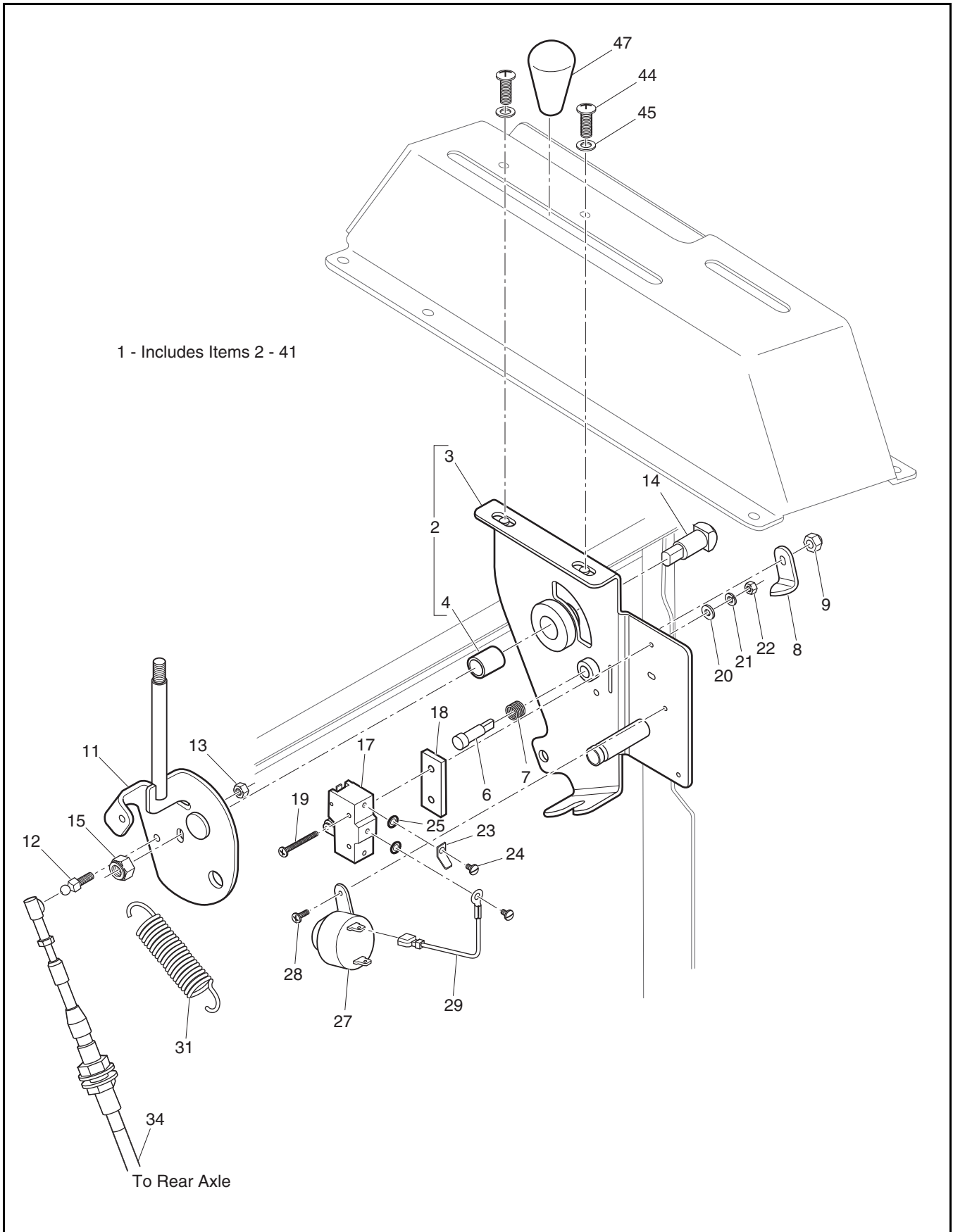
When ordering parts, please specify the model and serial number of the product.

* Indicates a component that is not available as an individual part.

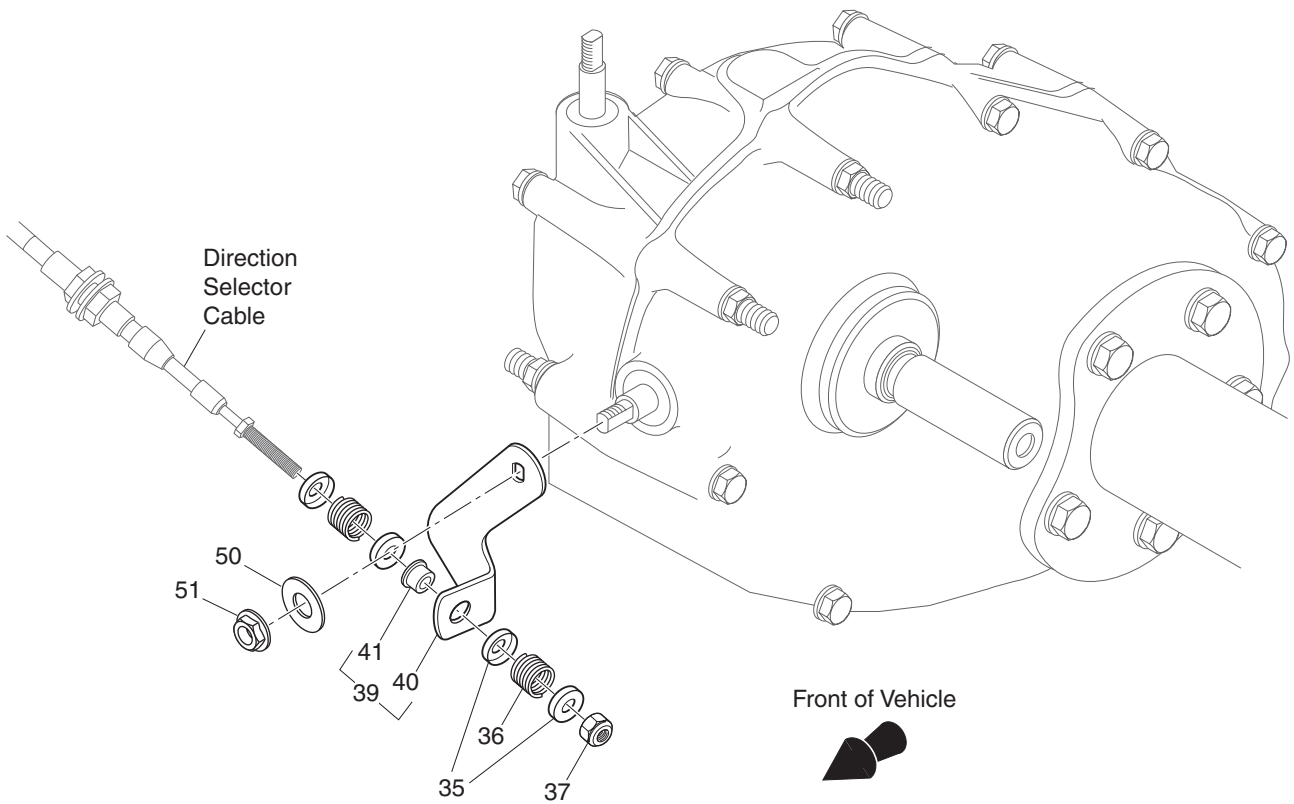
G** Indicates consult Customer Service Department for additional information.

ITEM	PART NO.	1 2 3 4 5	DESCRIPTION	QTY.
1	26952-G03		DRIVE CLUTCH	1
2				
3	00473-G9		BOLT, 7/16 - 20 X 6 1/2" LG	1
4	00566-G2		LOCK WASHER, 7/16".....	1
5	25757-G1		PILOT WASHER	1
6				
7	26301-G02		DRIVEN CLUTCH ASSEMBLY (INCLUDES ITEMS 8 - 15).....	1
8	*		MOVABLE SHEAVE (INCLUDES ITEMS 9 -10)	1
9	00979-G01		SCREW, #10 - 24 X 7/8" LG	3
10	26479-G01		RAMP BUTTON	3
11	*		CAM.....	1
12	24600-G1		SPACER, 1 1/2"	1
13	26304-G01		COMPRESSION SPRING	1
14	*		SHEAVE AND POST	1
15	27270-G01		HEAVY DUTY RETAINING RING	1
16				
17	00441-G8		BOLT, 5/16 - 18 X 4" LG	1
18	00565-G8		LOCK WASHER, 5/16".....	4
19	25756-G1		RETAINING WASHER	1
20	75691-G01		DRIVE BELT	1

DIRECTION SELECTOR



DIRECTION SELECTOR



DIRECTION SELECTOR

THE USE OF NON U.L. PARTS WILL VOID ANY U.L. LISTING.

When ordering parts, please specify the model and serial number of the product.

* Indicates a component that is not available as an individual part.

G** Indicates consult Customer Service Department for additional information.

ITEM	PART NO.	1	2	3	4	5	DESCRIPTION	QTY.
1	75939-G01						DIRECTION SELECTOR ASSEMBLY (INCLUDES ITEMS 2 - 41)	
2	28767-G01						SHIFTER BRACKET ASSEMBLY (INCLUDES ITEM 3 AND 4)	1
3	75973-G01						SHIFTER BRACKET	1
4	25664-G2						BUSHING, 1/2" X 3/4"	1
5								
6	72724-G01						NEUTRAL LOCK PIN	1
7	72733-G01						COMPRESSION SPRING	1
8	72729-G01						NEUTRAL LOCK LEVER.....	1
9	00734-G2						LOCK NUT, 1/4 - 28.....	1
10								
11	75936-G01						DIRECTION SELECTOR CAM / HANDLE	1
12	72732-G01						BALL STUD, 1/4"	1
13	00734-G5						LOCK NUT, #10 - 32.....	1
14	75937-G01						PIVOT SHAFT	1
15	14390-G01						LOCK NUT, 3/8 - 24.....	1
16								
17	10606-G1						MICRO SWITCH.....	1
18	27151-G01						SPACER	1
19	00645-G02						SCREW, #6 - 32 X 1 1/4" LG.....	2
20	00559-G3						WASHER, #6	2
21	00565-G3						LOCK WASHER, #6	2
22	00525-G5						NUT, #6 - 32	2
23	14628-G1						FASTON TAB, 5/16" X 5/16"	1
24	13514-G1						SCREW.....	2
25	00567-G3						LOCK WASHER, #6	2
26								
27	73290-G03						BUZZER.....	1
28	01063-G01						SCREW, SELF TAPPING, #6 - 32 X 3/8"	2
29	25978-G234						18 GA WIRE (RED 6")	1
30								

DIRECTION SELECTOR

THE USE OF NON U.L. PARTS WILL VOID ANY U.L. LISTING.

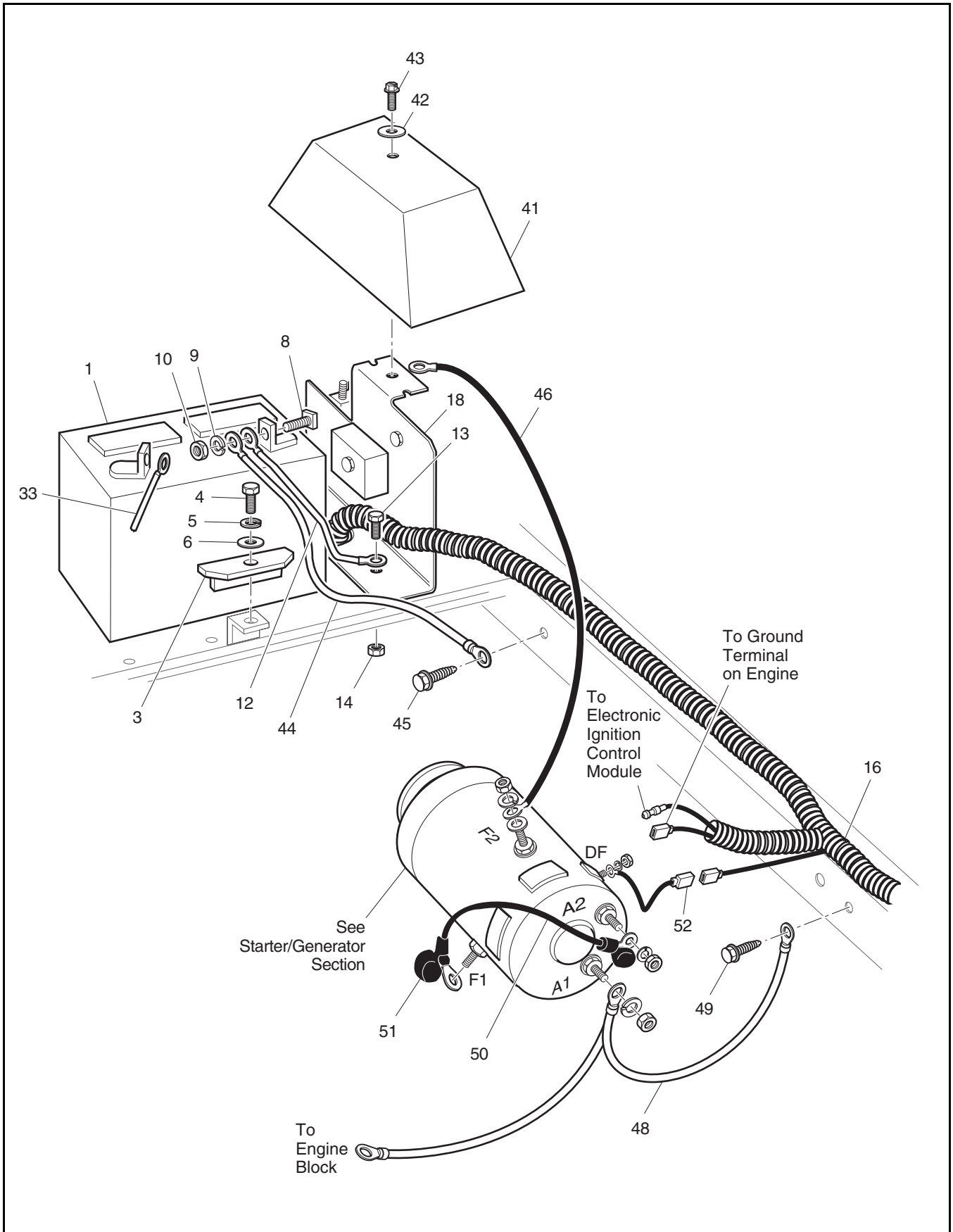
When ordering parts, please specify the model and serial number of the product.

* Indicates a component that is not available as an individual part.

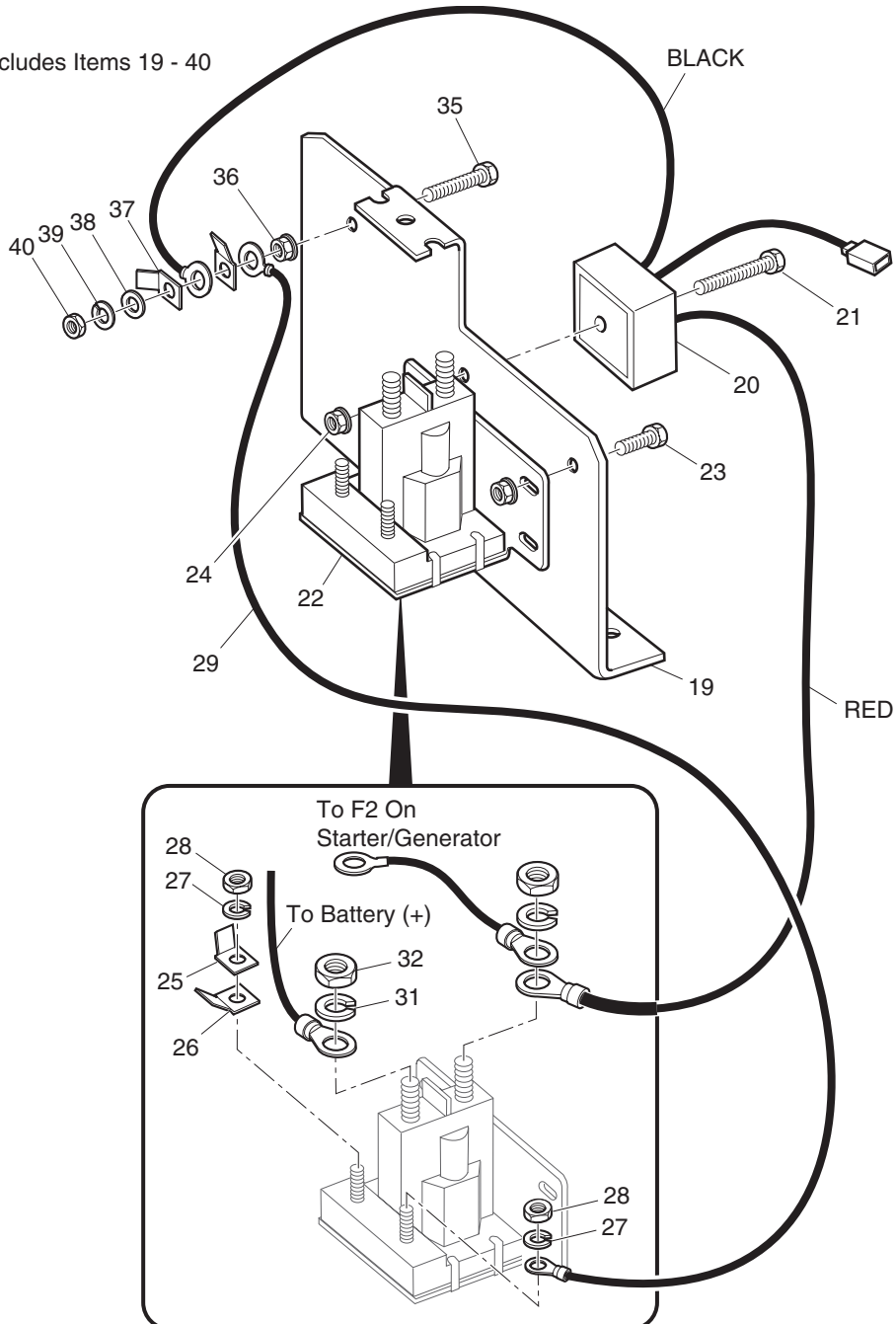
G** Indicates consult Customer Service Department for additional information.

ITEM	PART NO.	1	2	3	4	5	DESCRIPTION	QTY.
31	28574-G01						EXTENSION SPRING	1
32								
33								
34	72734-G04						DIRECTION SELECTOR CABLE	1
35	25727-G01						CUP WASHER, 1/4"	4
36	72735-G01						COMPRESSION SPRING	2
37	00734-G5						LOCK NUT, #10 - 32.....	1
38								
39	28768-G01						SHIFTER ARM ASSEMBLY (INCLUDES ITEMS 40 AND 41)	1
40	75940-G01						SHIFTER ARM	1
41	22754-G4						BUSHING	1
42								
43								
44	16705-G2						SCREW, 1/4 - 20 X 5/8" LG (STAINLESS STEEL)	2
45	00664-G7						LOCK WASHER, 1/4" (STAINLESS STEEL)	2
46								
47	11989-G1						DIRECTION SELECTOR KNOB	1
48								
49								
50	00559-G8						WASHER, 5/16"	1
51	26830-G01						LOCK NUT, M8 X 1.25 MM LG	1

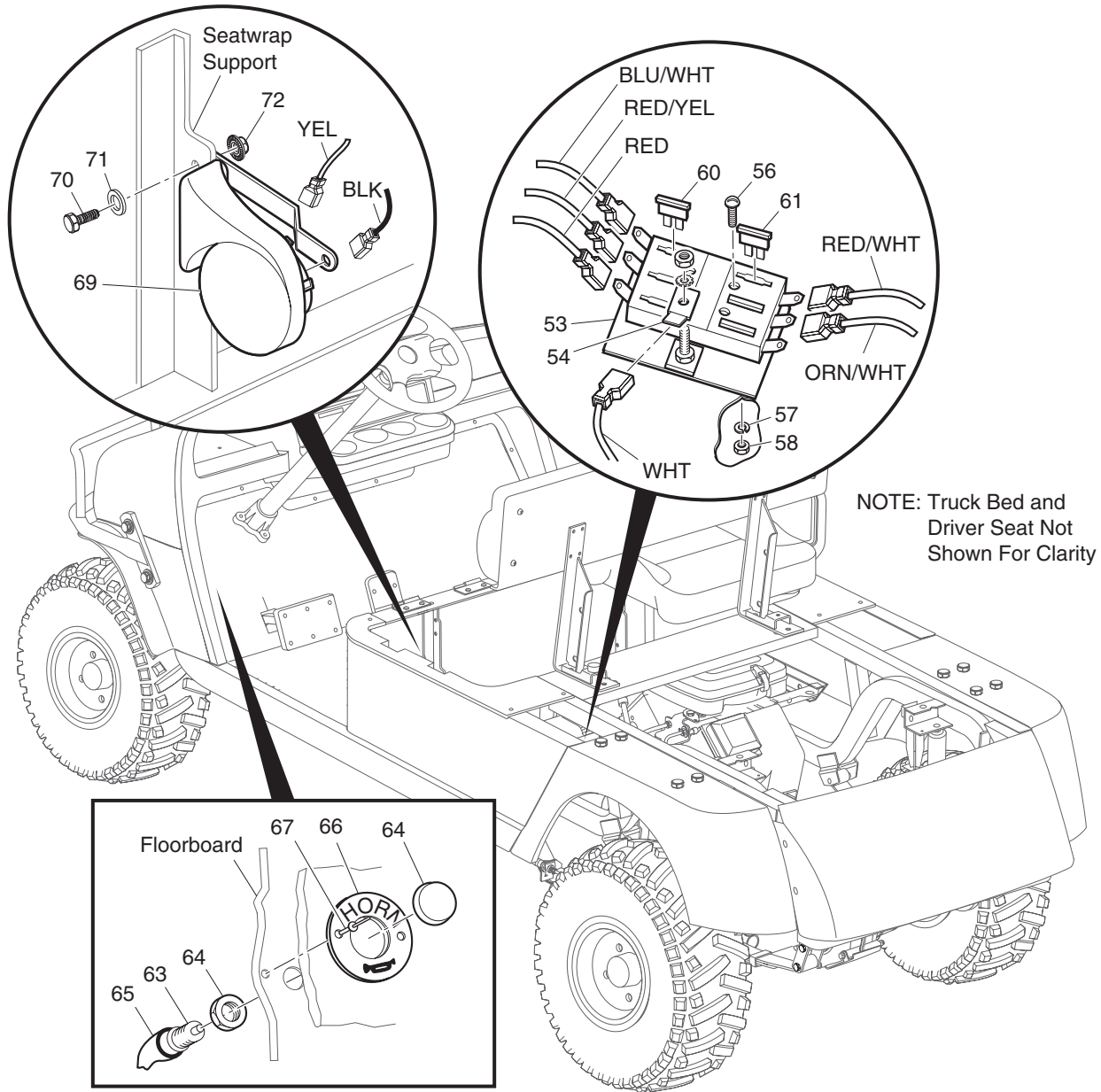
ELECTRICAL SYSTEM



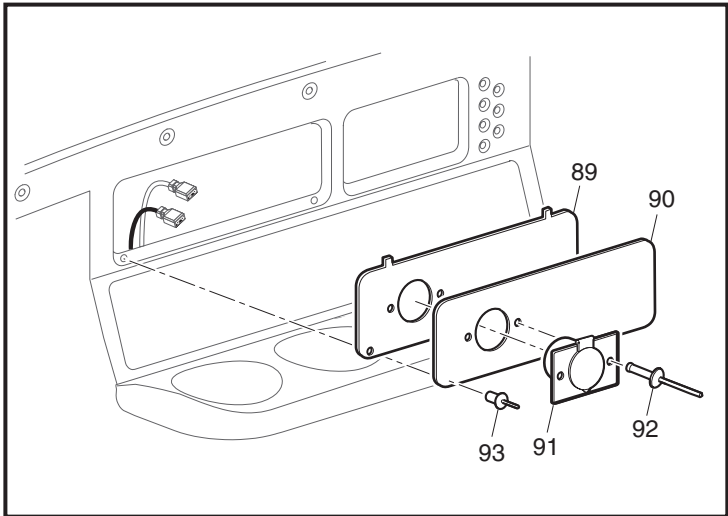
18 - Includes Items 19 - 40



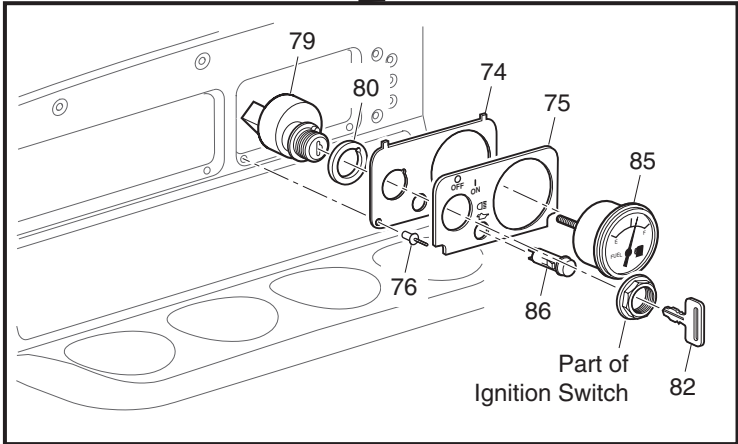
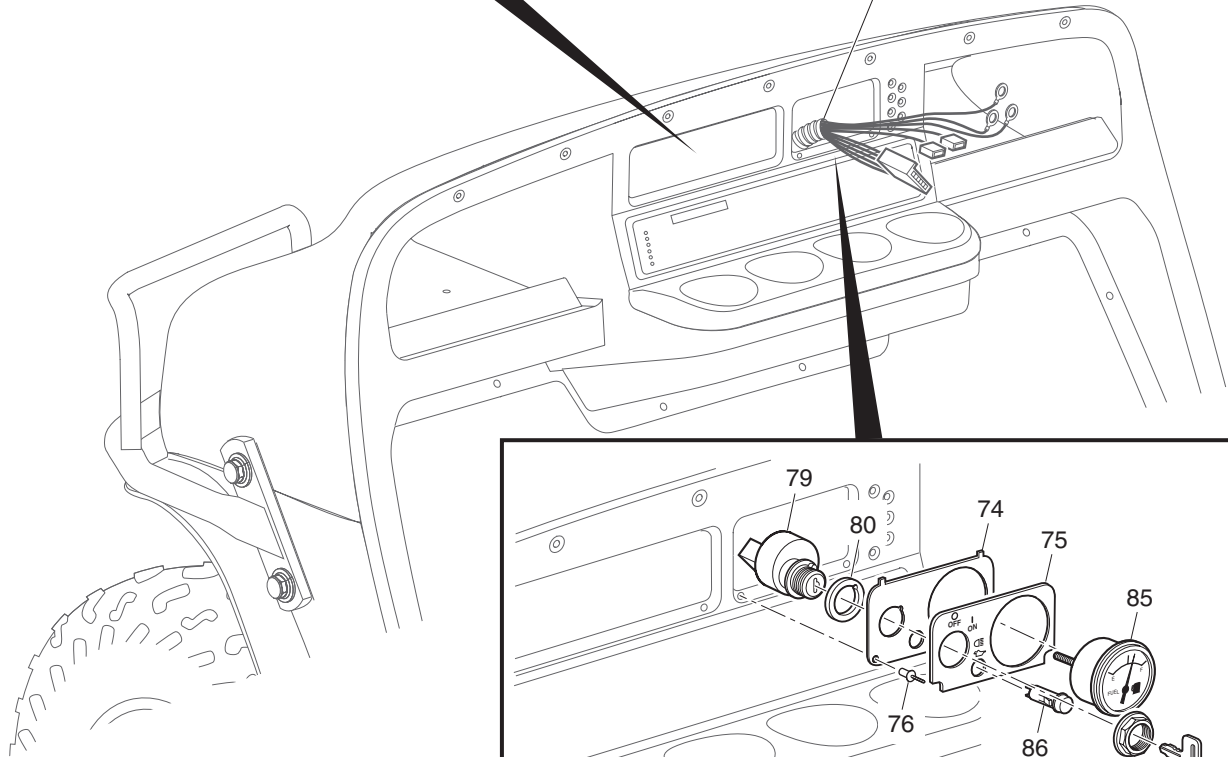
ELECTRICAL SYSTEM



Ref Ele 10-3

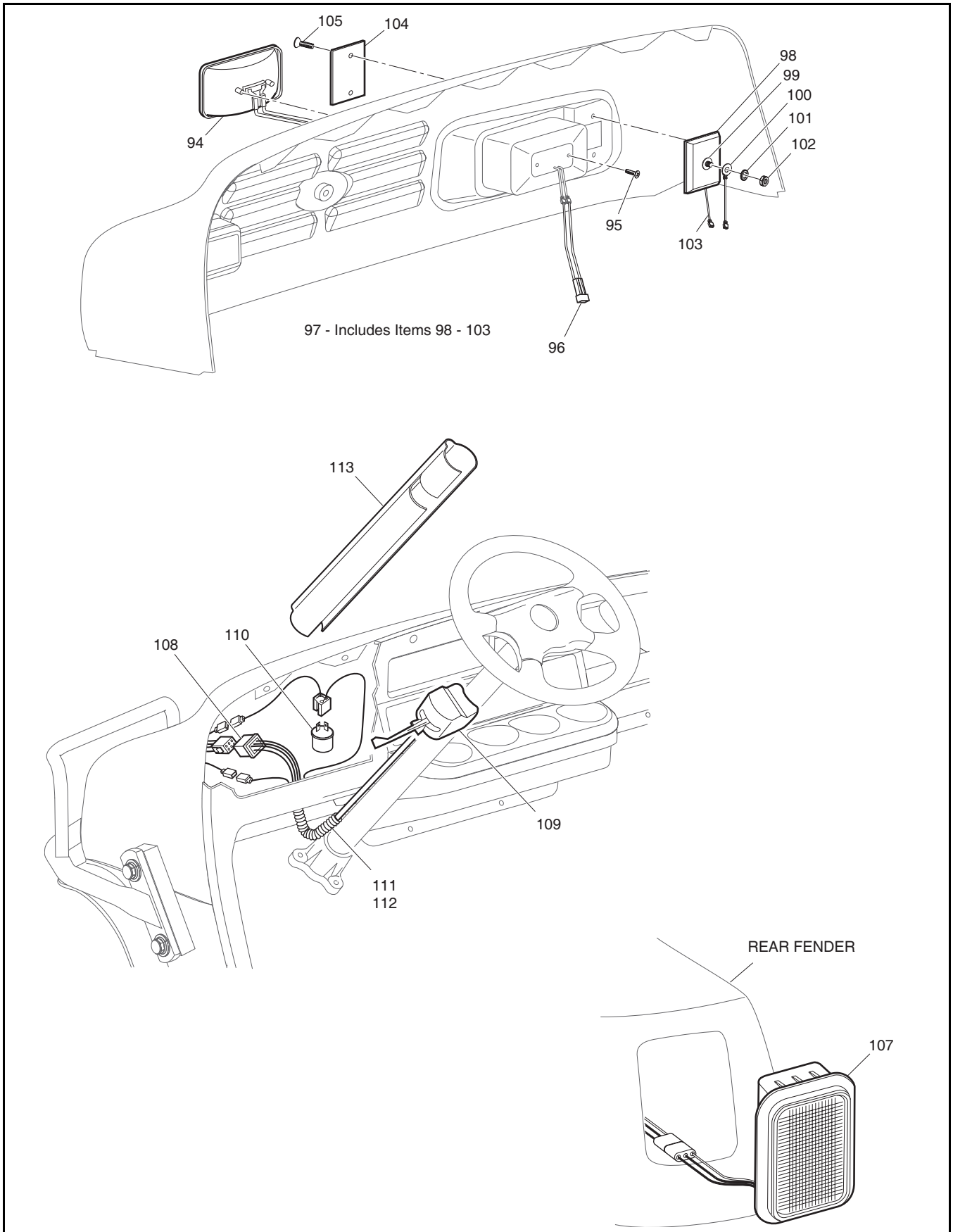


Wire Harness
(Chassis)

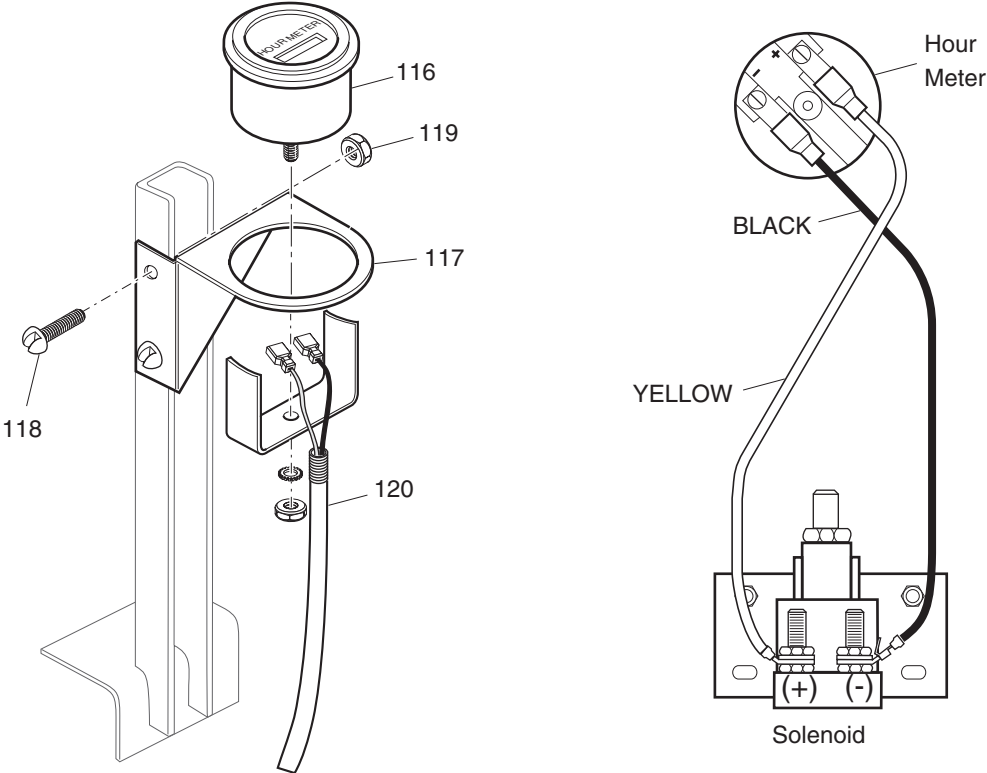


Part of
Ignition Switch

ELECTRICAL SYSTEM



115 - Includes Items 116 - 120



ELECTRICAL SYSTEM

THE USE OF NON U.L. PARTS WILL VOID ANY U.L. LISTING.

When ordering parts, please specify the model and serial number of the product.

* Indicates a component that is not available as an individual part.

G** Indicates consult Customer Service Department for additional information.

ITEM	PART NO.	1 2 3 4 5	DESCRIPTION	QTY.
1	24775-G*		BATTERY, 12V	1
2				
3	72101-G02		BATTERY HOLD DOWN	1
4	00438-G6		BOLT, 5/16 - 18 X 3/4" LG	1
5	00565-G8		LOCK WASHER, 5/16".....	1
6	00571-G2		WASHER, 5/16"	1
7				
8	00962-G1		BOLT, 5/16 - 18 X 1 1/4" LG	2
9	00993-G01		LOCK WASHER, 5/16" (SILICON BRONZE).....	2
10	00994-G01		NUT, 5/16 - 18 (SILICON BRONZE)	2
11				
12	28519-G01		BATTERY GROUND CABLE	1
13	00438-G6		BOLT, 5/16 - 18 X 3/4" LG	2
14	11027-G1		LOCK NUT, 5/16 - 18.....	2
15				
16	75899-G01		WIRE HARNESS (CHASSIS)	1
17				
18	75638-G01		ELECTRICAL PLATE ASSEMBLY (INCLUDES ITEMS 19 - 40).....	1
19	73057-G01		BRACKET	1
20	27739-G01		VOLTAGE REGULATOR.....	1
21	00415-G2		BOLT, 1/4 - 20 X 1 1/4" LG.....	1
22	27153-G01		SOLENOID	1
23	00414-G5		BOLT, 1/4 - 20 X 5/8" LG	1
24	11027-G2		LOCK NUT, 1/4 - 20.....	2
25	73446-G01		FASTON TAB, 90°	1
26	12914-G1		FASTON TAB	1
27	00565-G5		LOCK WASHER, #10	2
28	00526-G4		NUT, #10 - 32	2
29	25978-G56		18 GA WIRE (BLACK 5 3/4") (SOL - GND)	1
30				

ELECTRICAL SYSTEM

THE USE OF NON U.L. PARTS WILL VOID ANY U.L. LISTING.
 When ordering parts, please specify the model and serial number of the product.
 * Indicates a component that is not available as an individual part.
 G** Indicates consult Customer Service Department for additional information.

ITEM	PART NO.	1	2	3	4	5	DESCRIPTION	QTY.
31	00565-G8						LOCK WASHER, 5/16"	2
32	00544-G4						NUT, 5/16 - 24	2
33	25972-G33						6 GA WIRE (BLACK 24") (B+ - SOL).....	1
34								
35	00414-G8						BOLT, 1/4 - 20 X 1" LG	1
36	11027-G2						LOCK NUT, 1/4 - 20.....	1
37	12914-G2						FASTON TAB	2
38	00650-G7						WASHER, 1/4"	1
39	00565-G7						LOCK WASHER, 1/4"	1
40	00532-G1						NUT, 1/4 - 20	1
41	73049-G01						COVER.....	1
42	16469-G1						WASHER, 1/4"	1
43	00114-G6						SCREW, 1/4 - 14 X 3/4" LG	1
44	11894-G1						6 GA WIRE (BLACK 15") (B- - GND)	1
45	00715-G2						BOLT, 5/16 - 18 X 3/4" LG	1
46	25972-G129						6 GA WIRE (BLACK 31") (F2 - SOL)	1
47	17618-G1						WIRE TIE	AR
48	28520-G02						GROUND CABLE.....	1
49	00965-G01						SCREW, 1/4 - 20 X 3/4" LG	1
50	25887-G01						6 GA WIRE (BLACK 6") (F1 - A2)	1
51	25682-G01						TERMINAL COVER	3
52	25977-G90						16 GA WIRE (GREEN 12") (DF - CHASSIS HARNESS).....	1
53	35211-G01						FUSE BLOCK.....	1
54	12914-G1						FASTON TAB.....	1
55								
56	00379-G2						SCREW, #10 - 24 X 1 1/4" LG	2
57	00559-G5						WASHER, #10.....	2
58	14390-G10						LOCK NUT, #10 - 24	2
59								
60	35212-G01						FUSE, 15 AMP	4

ELECTRICAL SYSTEM

THE USE OF NON U.L. PARTS WILL VOID ANY U.L. LISTING.

When ordering parts, please specify the model and serial number of the product.

* Indicates a component that is not available as an individual part.

G** Indicates consult Customer Service Department for additional information.

ITEM	PART NO.	1 2 3 4 5	DESCRIPTION	QTY.
61	35212-G05		FUSE, 7.5 AMP	1
62				
63	17318-G1		HORN SWITCH.....	1
64	17318-G2		HORN SWITCH CAP AND NUT	1
65	27068-G01		HORN SWITCH BOOT	1
66	19233-G1		HORN SWITCH LABEL	1
67	71055-G01		RIVET, 3/16" X 1" LG (ALUMINUM)	2
68				
69	32860-G1		HORN.....	1
70	00414-G5		BOLT, 1/4 - 20 X 5/8" LG	1
71	00559-G8		WASHER, 5/16"	1
72	00891-G2		LOCK NUT, 1/4 - 20	1
73				
74	73030-G07		PLATE (FUEL GAUGE AND OIL LIGHT)	1
75	75808-G01		LABEL (FUEL GAUGE AND LOW OIL WITH LIGHTS).....	1
76	33623-G02		RIVET, 3/16" X 3/8" LG	2
77				
78				
79	75809-G01		IGNITION SWITCH AND KEY (INDIVIDUALLY KEYED)	1
80	75811-G01		IGNITION SWITCH SPACER	1
81				
82	75818-G**		IGNITION KEY (ORDER BY 4 DIGIT NUMBER ON KEY)	1
83				
84				
85	21553-G1		FUEL GAUGE	1
86	23474-G1		INDICATOR LIGHT	1
87				
88	74444-G01		POWER OUTLET PLATE (INCLUDES ITEMS 89 - 92)	1
89	71077-G03		CONSOLE PLATE	1
90	35966-G01		LABEL, CONSOLE	1

ELECTRICAL SYSTEM

THE USE OF NON U.L. PARTS WILL VOID ANY U.L. LISTING.

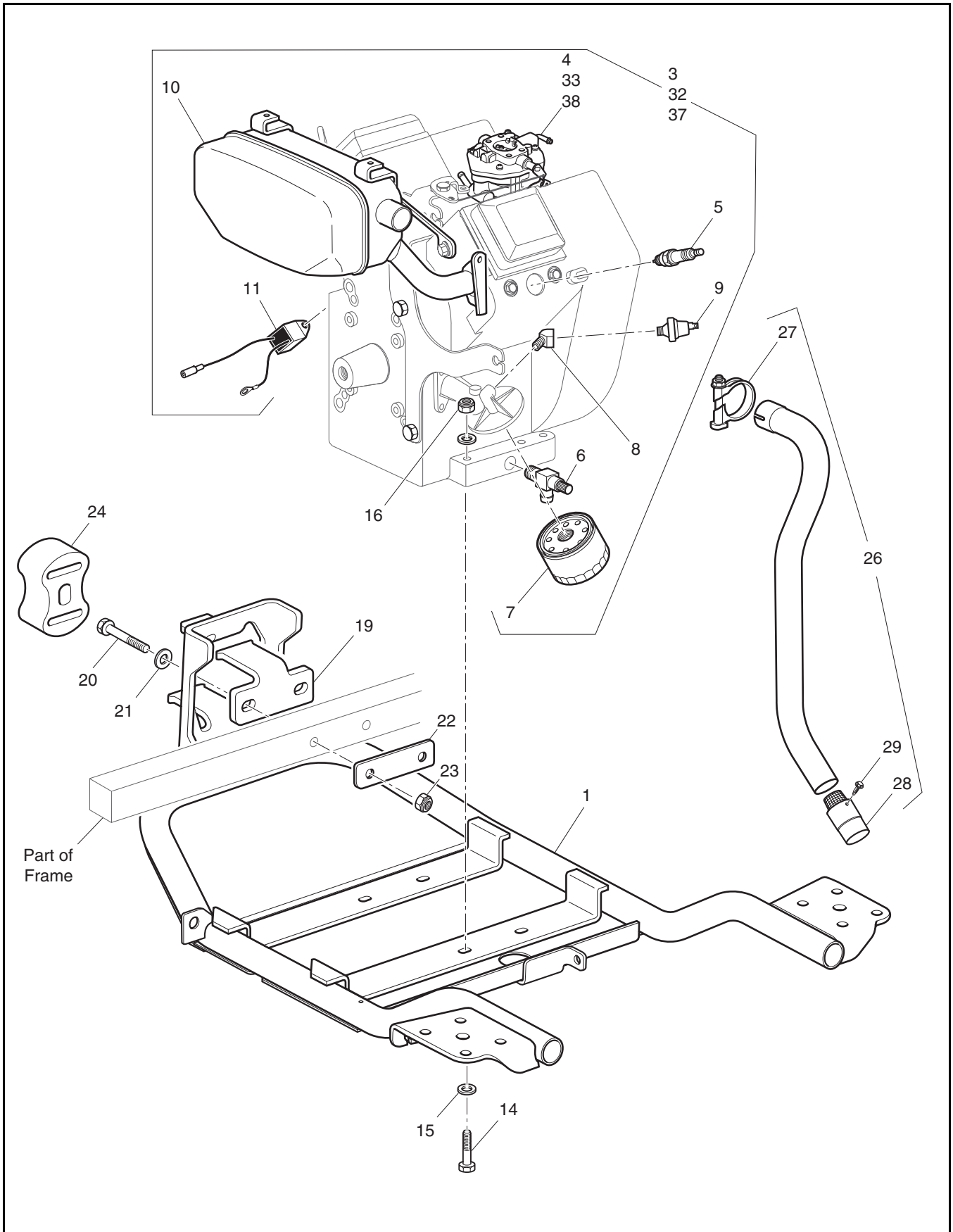
When ordering parts, please specify the model and serial number of the product.

* Indicates a component that is not available as an individual part.

G** Indicates consult Customer Service Department for additional information.

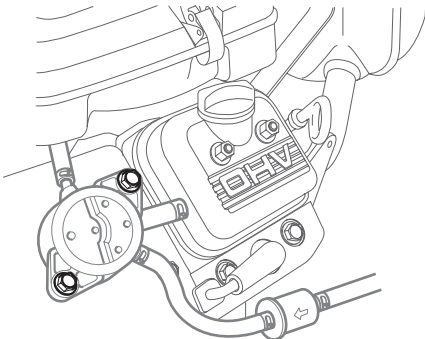
ITEM	PART NO.	1	2	3	4	5	DESCRIPTION	QTY.
91	71078-G01						POWER OUTLET (12 VOLT)	1
92	14601-G10						RIVET, 3/16" X 7/16" LG (ALUMINUM)	3
93	33623-G02						DRIVE RIVET, 3/16" X 3/8" LG	3
94	22523-G1						HEADLIGHT (RECTANGULAR) (INCLUDES ITEM 95)	2
95	00906-G6						SCREW, #10 - 16 X 1" LG	2
96	74337-G01						JUMPER WIRE (HEADLIGHT)	2
97	20570-G3						TURN SIGNAL LIGHT (INCLUDES ITEMS 98 - 103)	2
98	20574-G3						TURN SIGNAL LIGHT	1
99	00660-G7						WASHER, 1/4" (STAINLESS STEEL)	1
100	20606-G1						WIRE	1
101	00567-G7						LOCK WASHER, 1/4"	1
102	00532-G1						NUT, 1/4 - 20	1
103	18995-G1						PUSH-ON MALE TERMINAL	1
104	20574-G5						LENS, AMBER	1
105	00118-G5						SCREW, #6 - 18 X 5/8" LG	2
106								
107	32739-G3						TAILLIGHT (WITH SEALED CONNECTORS)	2
108	75711-G01						TAILLIGHT JUMPER PLUG (FOR VEHICLE WITHOUT TURN SIGNAL)	1
109	17867-G1						TURN SIGNAL (WITH MOUNTING HARDWARE) (INCLUDES ITEM 110)	1
110	21640-G1						TURN SIGNAL FLASHER	1
111	32307-G3						FLEX LOOM, 3/8" X 8" LG	1
112	17618-G1						WIRE TIE	2
113	20965-G3						STEERING COLUMN COVER	1
114								
115	75114-G06						HOUR METER KIT (INCLUDES ITEMS 116 - 120)	1
116	21573-G1						HOUR METER ASSEMBLY	1
117	74019-G02						HOUR METER BRACKET	1
118	00379-G4						SCREW, #10 - 24 X 1/2" LG	2
119	14390-G10						LOCK NUT, #10 - 24	2
120	75117-G01						WIRE HARNESS (HOUR METER)	1

ENGINE



ENGINE

THE USE OF NON U.L. PARTS WILL VOID ANY U.L. LISTING.
 When ordering parts, please specify the model and serial number of the product.
 * Indicates a component that is not available as an individual part.
 G** Indicates consult Customer Service Department for additional information.

ITEM	PART NO.	1	2	3	4	5	DESCRIPTION	QTY.
1	75843-G01						SUBFRAME	1
2								
3	75643-G01						ENGINE, 480CC (INCLUDES ITEMS 4 - 11).....	1
4	808979						CARBURETOR.....	1
5	491055						SPARK PLUG (RC12YC)	2
6	75814-G01						OIL DRAIN VALVE	1
7	492932						OIL FILTER.....	1
8	75649-G01						45° ELBOW, 1/8 NPT X 1/8 NPT.....	1
9	690233						OIL PRESSURE SWITCH	1
10	691562						MUFFLER.....	1
11	809093						ELECTRONIC IGNITION CONTROL MODULE.....	1
<p>For internal engine replacement parts, see an Authorized Briggs & Stratton® Dealer. To locate the nearest dealer, see the dealer locator map at the web site www.briggsandstratton.com or in the “Yellow Pages™” directory under “Engines, Gasoline”, “Gasoline Engines”, “Lawn Mowers” or similar category.</p> <p>The following information, located on the fan housing, must be provided when requesting information or ordering replacement parts:</p> <p>Model: Type: Code:</p> <div style="text-align: center; margin-top: 20px;">  </div>								

ENGINE

THE USE OF NON U.L. PARTS WILL VOID ANY U.L. LISTING.

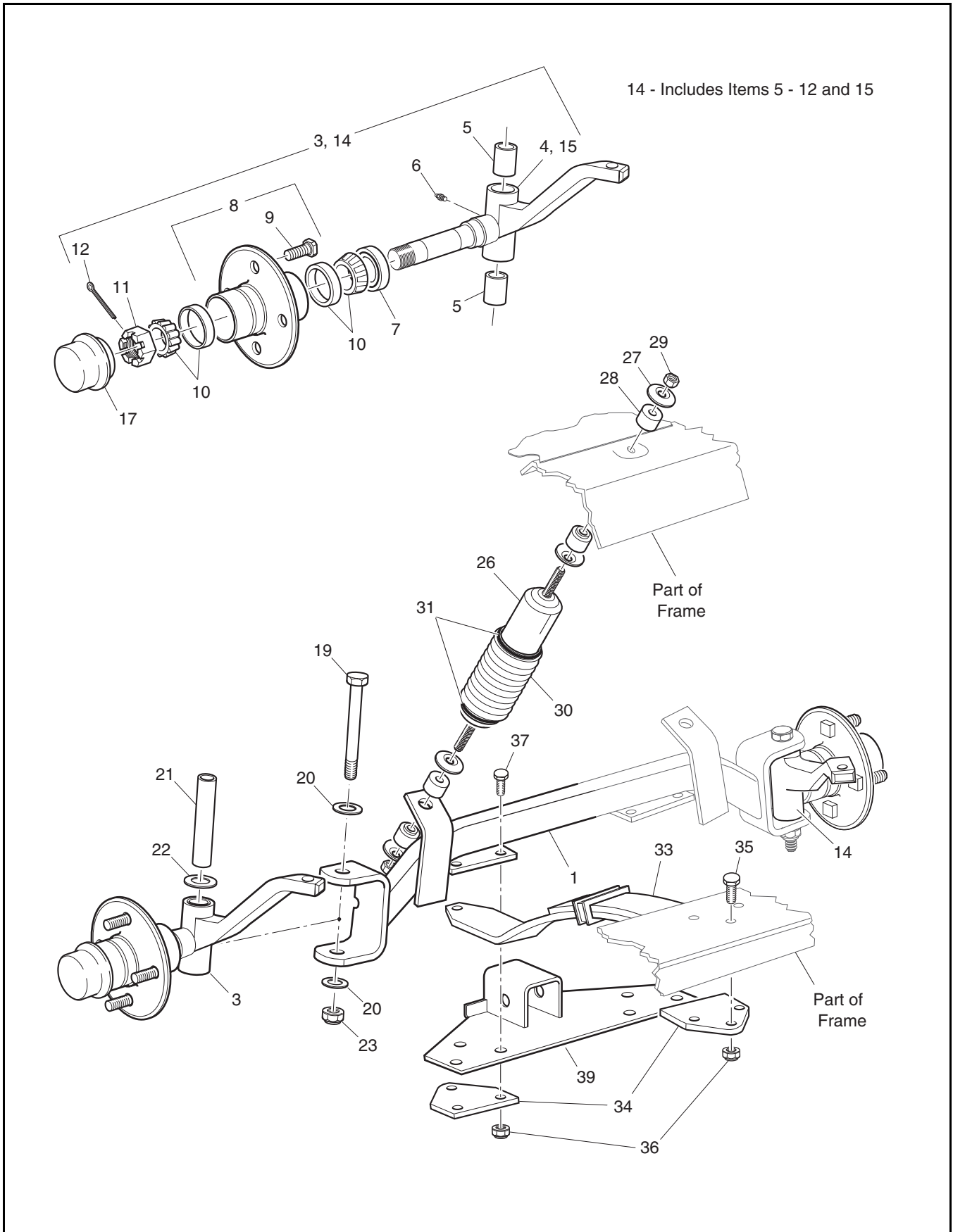
When ordering parts, please specify the model and serial number of the product.

* Indicates a component that is not available as an individual part.

G** Indicates consult Customer Service Department for additional information.

ITEM	PART NO.	1 2 3 4 5	DESCRIPTION	QTY.
12				
13				
14	00439-G8		BOLT, 5/16 - 18 X 2" LG	4
15	00559-G8		WASHER, 5/16"	8
16	11098-G6		LOCK NUT, 5/16 - 18	4
17				
18				
19	75569-G01		FRONT ENGINE MOUNTING BRACKET	1
20	00429-G4		BOLT, 3/8 - 16 X 3 1/2" LG	2
21	00560-G1		WASHER, 3/8"	2
22	75714-G01		PLATE WASHER	1
23	11098-G5		LOCK NUT, 3/8 - 16	2
24	75568-G01		ISOLATOR	1
25				
26	75745-G01		EXHAUST PIPE (INCLUDES ITEMS 27 - 29)	1
27	*		CLAMP	1
28	*		SPARK ARRESTOR	1
29	01022-G01		SCREW, #6 - 20 X 5/16" LG	1
30				
31				
32	75882-G01		ENGINE, 480CC (HIGH ALTITUDE 5,000 - 7,500 FT) (INCL ITEMS 3, 33)	1
33	75859-G01		CARBURETOR HIGH ALTITUDE KIT (INCLUDES ITEMS 34, 35)	1
34	75865-G01		MAIN JET #86	1
35	75861-G01		LABEL (HIGH ALTITUDE - 5,000 - 7,500 FT)	1
36				
37	75882-G02		ENGINE, 480CC (HIGH ALTITUDE 7,500 - 10,000 FT) (INCL ITEMS 3, 38)	1
38	75859-G02		CARBURETOR HIGH ALTITUDE KIT (INCLUDES ITEMS 39, 40)	1
39	75865-G02		MAIN JET #84	1
40	75863-G01		LABEL (HIGH ALTITUDE - 7,500 - 10,000 FT)	1

FRONT SUSPENSION



FRONT SUSPENSION

Where applicable, THE USE OF NON UL PARTS WILL VOID ANY UL LISTING.

When ordering parts, please specify the model and serial number of the product.

* Indicates a component that is not available as an individual part.

G** Indicates consult Customer Service Department for additional information.

ITEM	PART NO.	1 2 3 4 5	DESCRIPTION	QTY.
1	70515-G01		FRONT AXLE.....	1
2				
3	70535-G03		SPINDLE ASSEMBLY (DRIVER SIDE) (INCLUDES ITEMS 4 - 12)	1
4	*		SPINDLE (DRIVER SIDE)	1
5	16623-G1		BEARING.....	2
6	10389-G3		GREASE FITTING, STRAIGHT.....	1
7	25146-G1		GREASE SEAL.....	1
8	35886-G01		WHEEL HUB ASSEMBLY WITH RACES (INCLUDES ITEMS 9)	1
9	19862-G1		LUG BOLT, 1/2 - 20 X 1 3/16" LG	4
10	11750-G2		BEARING AND RACE ASSEMBLY (COMPLETE).....	2
11	12093-G1		SLOTTED NUT, 1 - 14.....	1
12	00798-G8		COTTER PIN, 5/32" X 1 3/4" LG	1
13				
14	70534-G03		SPINDLE ASSEMBLY (PASSENGER SIDE) (INCL ITEMS 5 - 12, 15)	1
15	*		SPINDLE (PASSENGER SIDE)	1
16				
17	12091-G2		SPINDLE CAP.....	2
18				
19	01040-G01		BOLT, 1/2 - 13 X 5" LG	2
20	00571-G5		WASHER, 1/2"	4
21	70328-G01		KING PIN TUBE	2
22	16982-G1		THRUST WASHER, 7/8"	2
23	14390-G6		LOCK NUT, 1/2 - 13	2
24				
25				
26	70630-G01		SHOCK ABSORBER.....	2
27	10435-G1		SHOCK ABSORBER WASHER.....	8
28	10194-G1		RUBBER BUSHING	8
29	00532-G6		NUT, 3/8 - 24.....	4
30	70509-G01		SHOCK ABSORBER BOOT	2

FRONT SUSPENSION

Where applicable, THE USE OF NON UL PARTS WILL VOID ANY UL LISTING.

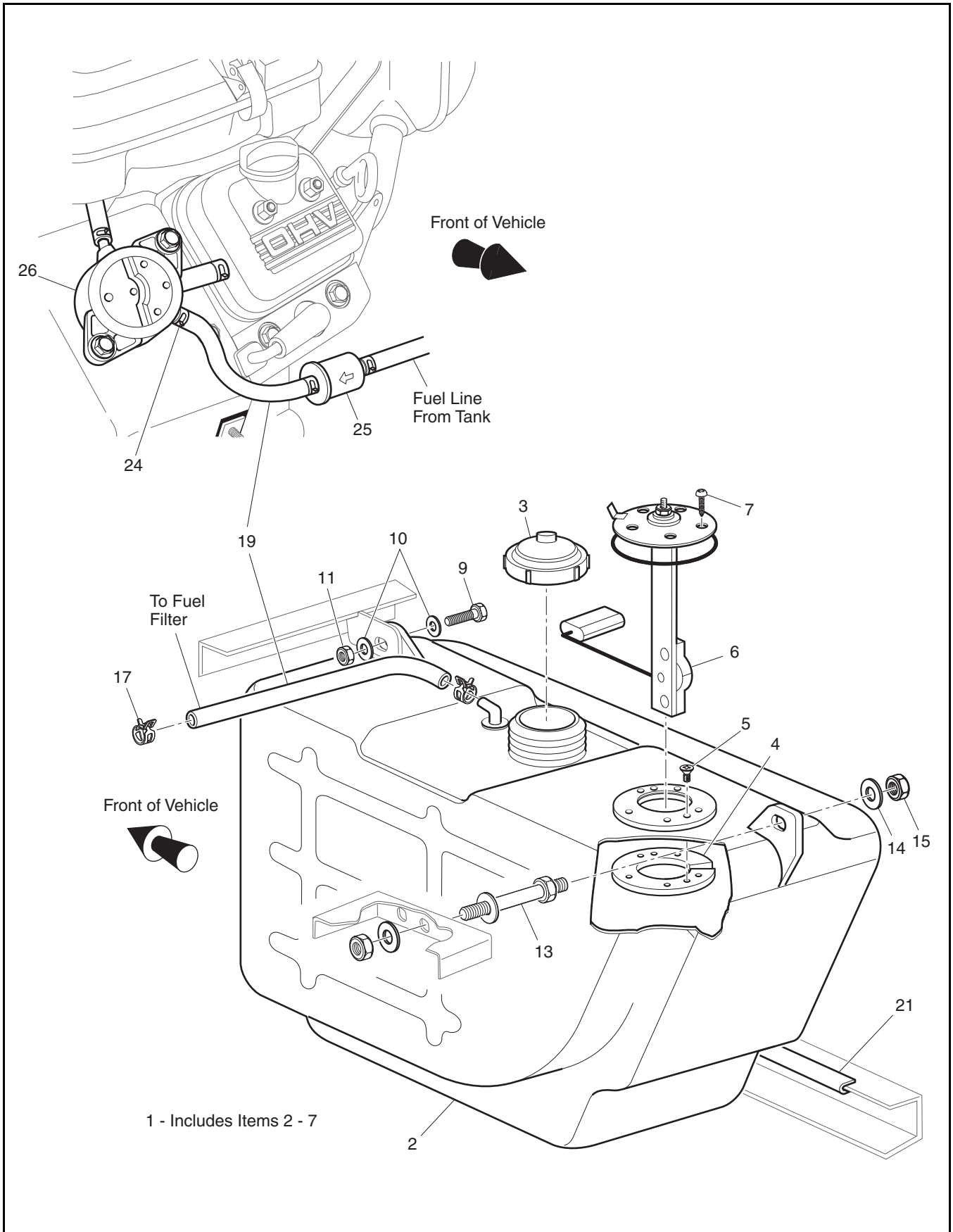
When ordering parts, please specify the model and serial number of the product.

* Indicates a component that is not available as an individual part.

G** Indicates consult Customer Service Department for additional information.

ITEM	PART NO.	1 2 3 4 5	DESCRIPTION	QTY.
31	31539-G1		WIRE TIE	4
32				
33	70422-G01		LEAF SPRING (HEAVY DUTY)	2
34	70163-G03		SPRING PLATE	4
35	00463-G6		BOLT, 7/16 - 14 X 1 3/4" LG	6
36	00734-G1		LOCK NUT, 7/16 - 14	12
37	00463-G6		BOLT, 7/16 - 14 X 1 3/4" LG	6
38				
39	74255-G01		WINCH RECEIVER.....	1

FUEL SYSTEM



FUEL SYSTEM

THE USE OF NON U.L. PARTS WILL VOID ANY U.L. LISTING.

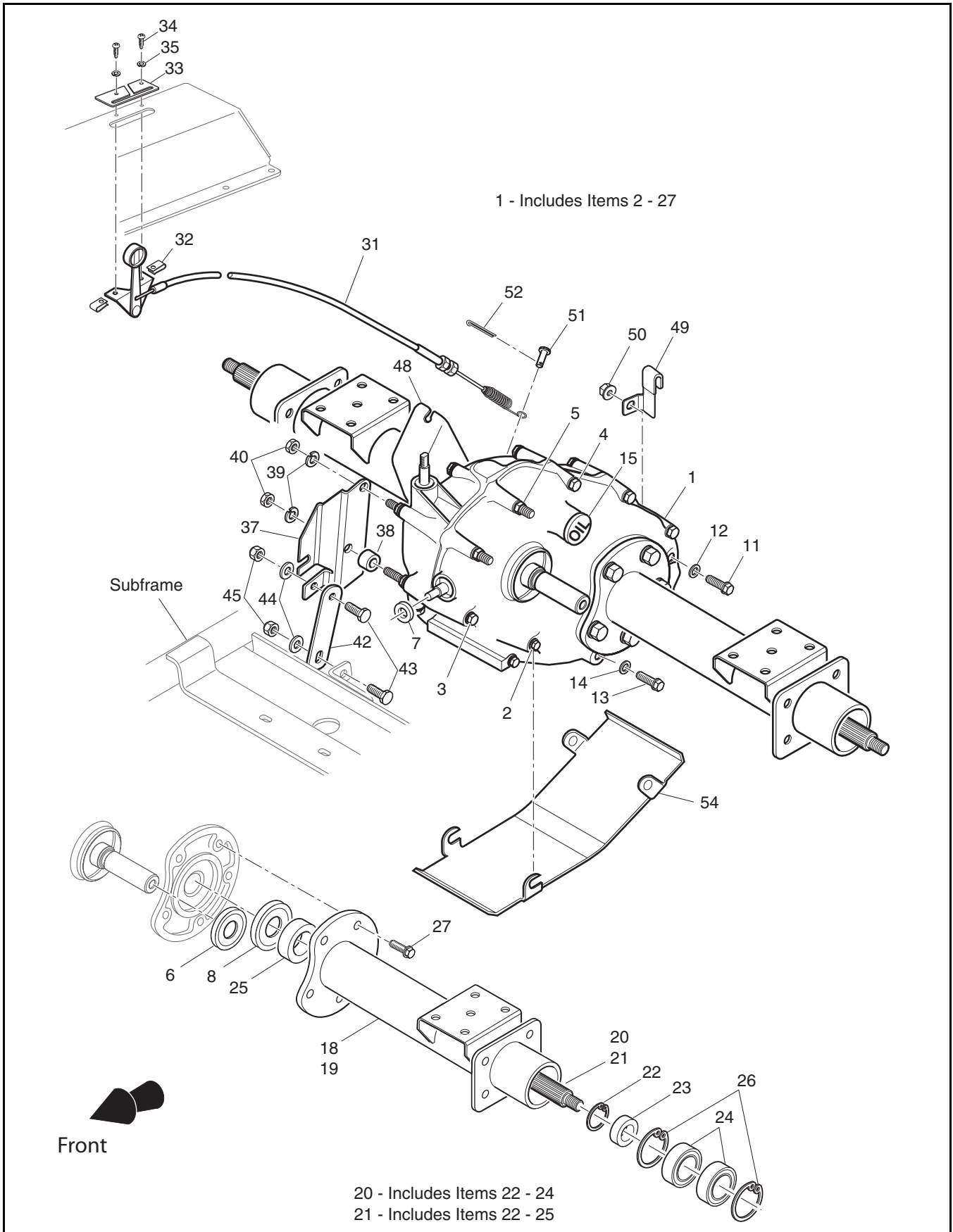
When ordering parts, please specify the model and serial number of the product.

* Indicates a component that is not available as an individual part.

G** Indicates consult Customer Service Department for additional information.

ITEM	PART NO.	1 2 3 4 5	DESCRIPTION	QTY.
1	72231-G01		FUEL TANK ASSEMBLY (INCLUDES ITEMS 2 - 7)	1
2	72092-G02		FUEL TANK	1
3	72282-G01		FUEL TANK CAP	1
4	72229-G01		FUEL LEVEL SENDER ADAPTER.....	1
5	72230-G01		SCREW, #6 - 32 X 1/2" LG	2
6	20048-G2		FUEL LEVEL SENDER.....	1
7	72232-G01		SCREW, #10 - 32 X 3/4"	5
8				
9	00438-G8		BOLT, 5/16 - 18 X 1" LG	1
10	00559-G8		WASHER, 5/16"	2
11	11098-G6		LOCK NUT, 5/16 - 18.....	1
12				
13	70483-G01		SPACER.....	1
14	00559-G8		WASHER, 5/16"	2
15	11098-G6		LOCK NUT, 5/16 - 18.....	2
16				
17	18292-G1		CLAMP	2
18				
19	27183-G01		TUBING, 1/4" I.D. X 1/2" O.D. (BULK, 1 FT. INCREMENTS).....	AR
20				
21	22280-G1		VINYL TRIM, (BULK)	AR
22				
23				
24	18292-G1		CLAMP	6
25	493629		FUEL FILTER.....	1
26	808656		FUEL PUMP	1

REAR AXLE



REAR AXLE

THE USE OF NON U.L. PARTS WILL VOID ANY U.L. LISTING.

When ordering parts, please specify the model and serial number of the product.

* Indicates a component that is not available as an individual part.

G** Indicates consult Customer Service Department for additional information.

ITEM	PART NO.	1 2 3 4 5	DESCRIPTION	QTY.
1	75945-G01		REAR AXLE (INCLUDES ITEMS 2 - 27)	1
2	26823-G01		FLANGED BOLT, M8 X 1.25 X 100 MM LG	5
3	26824-G01		FLANGED BOLT, M8 X 1.25 X 110 MM LG	3
4	72052-G01		FLANGED BOLT, M8 X 1.25 X 130 MM LG	1
5	28724-G01		FLANGED NUT, M8 X 1.25	9
6	26761-G01		INPUT SHAFT SEAL	1
7	26762-G01		SHIFTER SHAFT SEAL.....	1
8	28720-G01		AXLE SHAFT SEAL.....	2
9				
10				
11	26768-G01		OIL CHECK PLUG.....	1
12	26769-G01		GASKET, 8 MM	1
13	26770-G01		OIL DRAIN PLUG	1
14	26771-G01		GASKET, 14 MM	1
15	26772-G01		OIL FILLER PLUG	1
16				
17				
18	28704-G01		AXLE TUBE (DRIVER SIDE).....	1
19	28705-G01		AXLE TUBE (PASSENGER SIDE)	1
20	28701-G01		AXLE SHAFT (DRIVER SIDE) (INCLUDES ITEMS 22 - 24).....	1
21	28702-G01		AXLE SHAFT (PASSENGER SIDE) (INCLUDES ITEMS 22 - 25).....	1
22	28707-G01		SNAP RING, 30 MM.....	1
23	28708-G01		COLLAR, 30 X 20 MM.....	1
24	28703-G01		BALL BEARING	2
25	28719-G01		SEAL COLLAR.....	1
26	28706-G01		SNAP RING, 55 MM	4
27	72260-G01		FLANGED BOLT, M10 X 1.5 X 23 MM.....	10
28				
29				
30				

REAR AXLE

THE USE OF NON U.L. PARTS WILL VOID ANY U.L. LISTING.

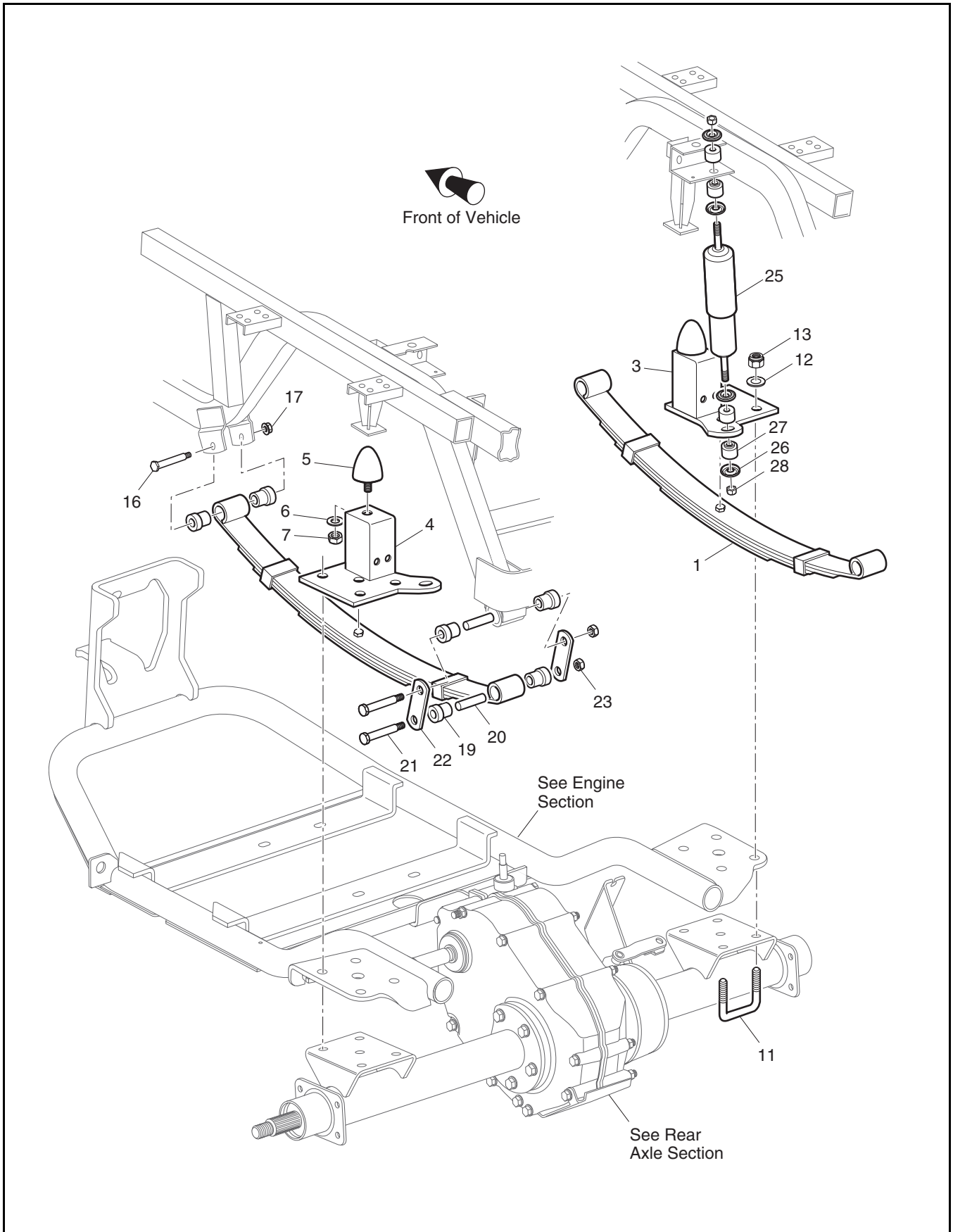
When ordering parts, please specify the model and serial number of the product.

* Indicates a component that is not available as an individual part.

G** Indicates consult Customer Service Department for additional information.

ITEM	PART NO.	1 2 3 4 5	DESCRIPTION	QTY.
31	75653-G01		DIFFERENTIAL LOCK CABLE (INCLUDES HARDWARE).....	1
32	71003-G03		'J' RETAINER NUT	2
33	75697-G01		PLATE	1
34	18464-G1		SCREW, #8 - 18 X 7/8" LG	2
35	00565-G4		LOCK WASHER, #8	2
36				
37	75941-G01		BRACKET	1
38	75048-G01		SPACER, 1/2"	1
39	26826-G01		LOCK WASHER, 8 MM.....	2
40	26827-G01		NUT, M8 X 1.25 MM.....	2
41				
42	75942-G01		DIFFERENTIAL LINK.....	1
43	00426-G8		BOLT, 3/8 - 16 X 1" LG	2
44	00560-G1		WASHER, 3/8"	2
45	11098-G5		LOCK NUT, 3/8 - 16	2
46				
47				
48	75620-G01		DIFFERENTIAL LOCK CABLE BRACKET	1
49	75813-G01		CLAMP	1
50	26830-G01		LOCK NUT, M8 X 1.25 MM.....	1
51	10386-G3		CLEVIS PIN, 5/16" X 13/16" LG.....	1
52	10387-G3		COTTER PIN, 3/32" X 3/4" LG.....	1
53				
54	72349-G02		DIFFERENTIAL SKID PLATE	1

REAR SUSPENSION



REAR SUSPENSION

THE USE OF NON U.L. PARTS WILL VOID ANY U.L. LISTING.

When ordering parts, please specify the model and serial number of the product.

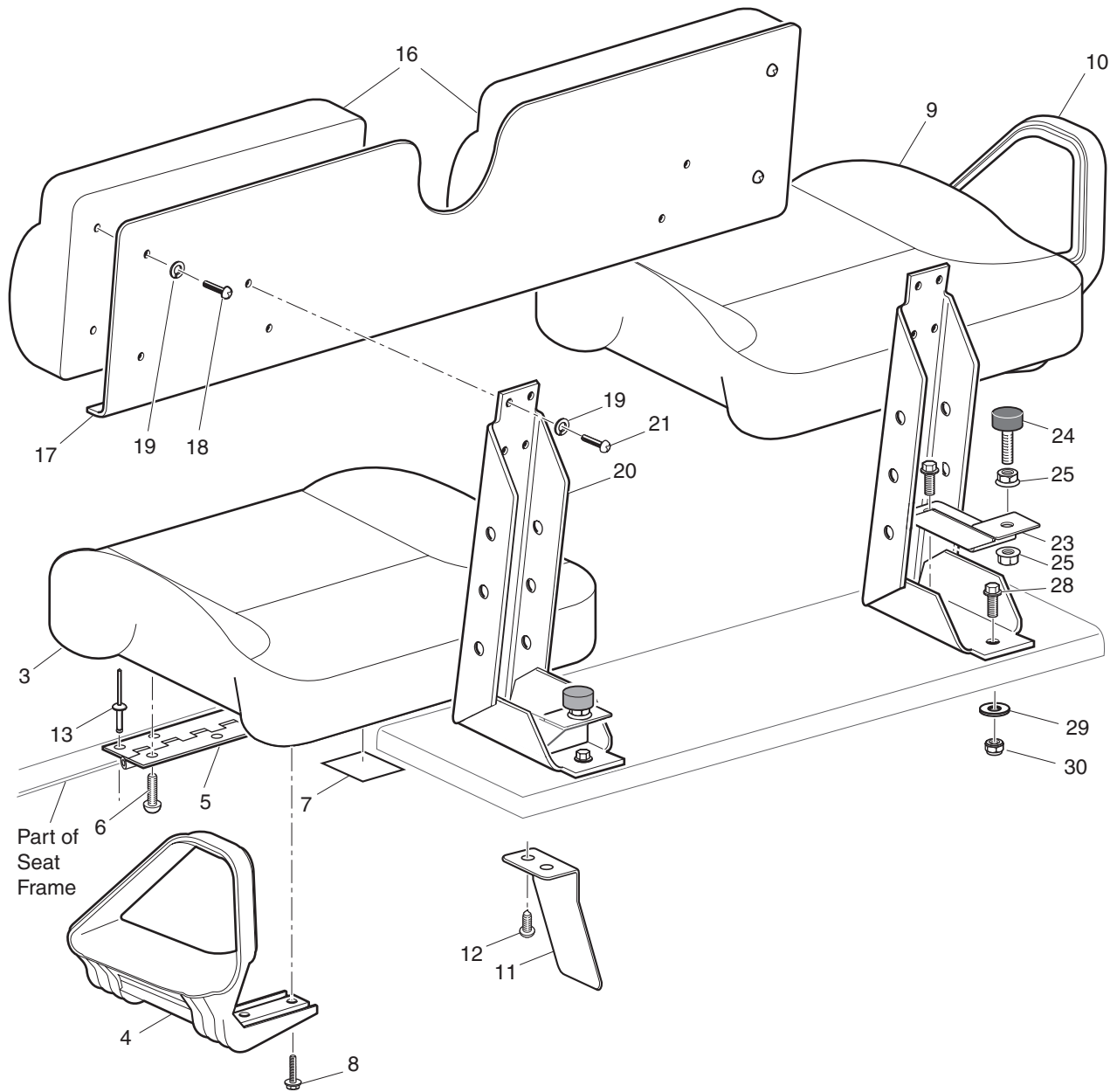
* Indicates a component that is not available as an individual part.

G** Indicates consult Customer Service Department for additional information.

ITEM	PART NO.	1 2 3 4 5	DESCRIPTION	QTY.
1	75721-G01		HEAVY DUTY LEAF SPRING.....	2
2				
3	75565-G02		SHOCK/STOP MOUNT (PASSENGER SIDE)	1
4	75565-G01		SHOCK/STOP MOUNT (DRIVER SIDE)	1
5	70492-G01		RUBBER BUMPER	2
6	00968-G01		LOCK WASHER, 10 MM.....	2
7	00974-G01		NUT, M10 X 1.5	2
8				
9				
10				
11	72618-G01		'U' BOLT, 3/8 - 16 X 2" X 2 1/2" LG	4
12	00560-G1		WASHER, 3/8"	8
13	11098-G5		LOCK NUT, 3/8 - 16	8
14				
15				
16	14158-G1		SHOULDER BOLT, 3/8 - 16 X 3 1/4" LG	2
17	12262-G1		LOCK NUT, 3/8 - 16	2
18				
19	70291-G01		FLANGED BUSHING	12
20	70289-G02		SPACER.....	4
21	00429-G4		BOLT, 3/8 - 16 X 3 1/2" LG	4
22	70290-G01		SHACKLE PLATE	4
23	11098-G5		LOCK NUT, 3/8 - 16	4
24				
25	76418-G01		SHOCK ABSORBER.....	2
26	10435-G1		SHOCK ABSORBER WASHER.....	8
27	10194-G1		RUBBER BUSHING	8
28	00532-G6		NUT, 3/8 - 24.....	4

SEATS

- 1 - Includes Items 3 - 8
- 2 - Includes Items 5 - 10
- 15 - Includes Items 16 - 21



SEATS

THE USE OF NON U.L. PARTS WILL VOID ANY U.L. LISTING.

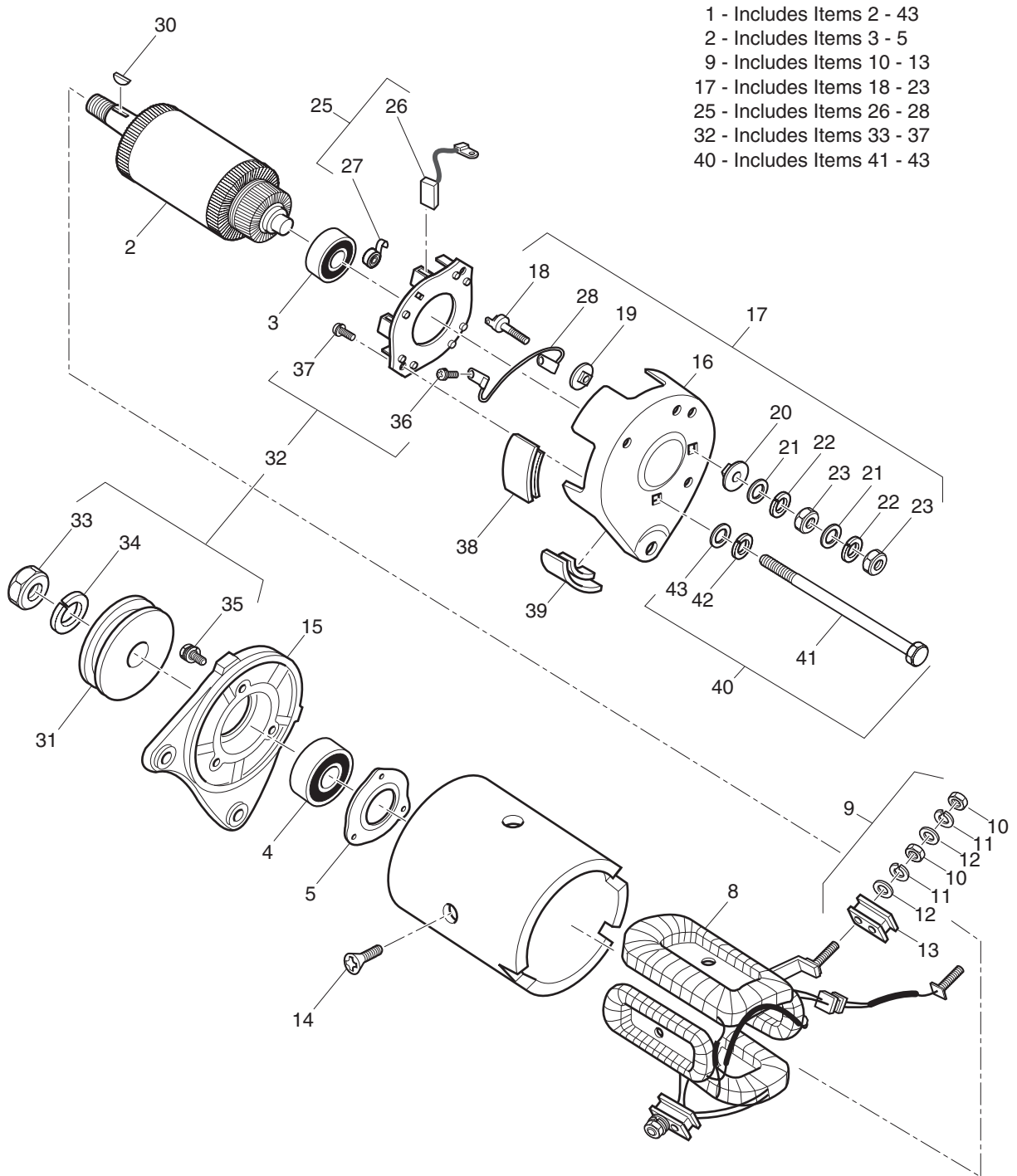
When ordering parts, please specify the model and serial number of the product.

* Indicates a component that is not available as an individual part.

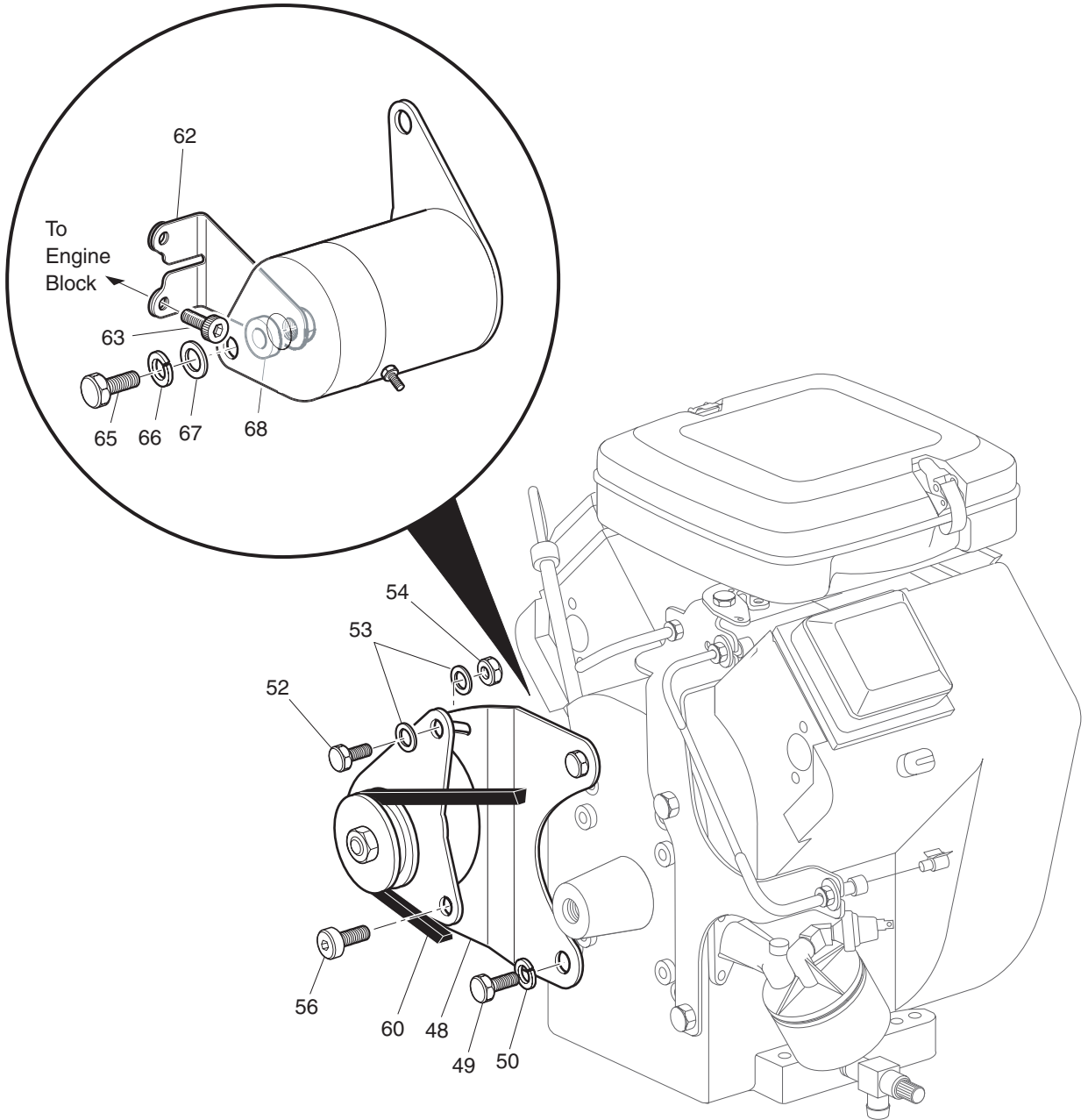
G** Indicates consult Customer Service Department for additional information.

ITEM	PART NO.	1 2 3 4 5	DESCRIPTION	QTY.
1	75880-G**		SEAT BOTTOM (DRIVER SIDE) (INCLUDES ITEMS 3 - 8)	1
2	75881-G**		SEAT BOTTOM (PASSENGER SIDE) (INCLUDES ITEMS 5 - 10).....	1
3	75833-G**		SEAT BOTTOM CUSHION (DRIVER SIDE)	1
4	71702-G01		HIP RESTRAINT (DRIVER SIDE)	1
5	75847-G01		HINGE.....	1
6	16705-G1		SCREW, 1/4 - 20 X 1" LG (STAINLESS STEEL)	8
7	17074-G1		RUBBER PAD.....	2
8	71204-G01		BOLT, 1/4 - 20 X 7/8" LG	4
9	75834-GXX		SEAT BOTTOM CUSHION (PASSENGER SIDE)	1
10	71701-G01		HIP RESTRAINT (PASSENGER SIDE)	1
11	75848-G01		SEAT PROP	1
12	00592-G6		SCREW, #12 - 14 X 3/4" LG	2
13	10570-G11		RIVET, 3/16" X 3/4" LG (STAINLESS STEEL)	8
14				
15	75849-G**		SEAT BACK (INCLUDES ITEMS 16 - 21)	1
16	75840-G**		SEAT BACK CUSHION	2
17	75841-G01		SEAT BACK PLATE	1
18	16705-G3		SCREW, 1/4 - 20 X 3/4" LG (STAINLESS STEEL)	4
19	00664-G7		LOCK WASHER, 1/4" (STAINLESS STEEL)	8
20	75900-G02		SEAT BACK SUPPORT	2
21	16705-G1		SCREW, 1/4 - 20 X 1" LG (STAINLESS STEEL)	4
22				
23	74947-G01		BRACKET	2
24	70113-G01		ADJUSTABLE BUMPER.....	2
25	11027-G1		LOCK NUT, 5/16 - 18	4
26				
27				
28	01006-G01		BOLT, 3/8 - 16 X 1 1/4" LG	4
29	00560-G1		WASHER, 3/8"	4
30	11098-G5		LOCK NUT, 3/8 - 16	4

STARTER / GENERATOR



REAR VIEW



Ref Sig 10-2

STARTER / GENERATOR

THE USE OF NON U.L. PARTS WILL VOID ANY U.L. LISTING.

When ordering parts, please specify the model and serial number of the product.

* Indicates a component that is not available as an individual part.

G** Indicates consult Customer Service Department for additional information.

ITEM	PART NO.	1 2 3 4 5	DESCRIPTION	QTY.
1	27065-G01		STARTER / GENERATOR (INCLUDES ITEMS 2 - 43)	1
2	26870-G01		ARMATURE (INCLUDES ITEMS 3 - 5)	1
3	26871-G01		REAR BALL BEARING	1
4	26872-G01		FRONT BALL BEARING.....	1
5	26873-G01		BEARING HOLDER.....	1
6				
7				
8	26875-G01		FIELD COIL	1
9	26876-G01		INSULATING BRUSH ASSEMBLY ('F') (INCLUDES ITEMS 10 - 13)	2
10	*		NUT	2
11	*		LOCK WASHER.....	2
12	*		WASHER.....	2
13	*		INSULATOR.....	1
14	26877-G01		POLE CORE SETSCREW.....	4
15	26878-G01		FRONT COVER.....	1
16	26879-G01		REAR COVER	1
17	26880-G01		TERMINAL ASSEMBLY ('A') (INCLUDES ITEMS 18 - 23)	2
18	*		TERMINAL	2
19	*		INSULATOR	2
20	*		INSULATOR	2
21	*		WASHER.....	4
22	*		LOCK WASHER.....	4
23	*		NUT	4
24				
25	26881-G01		BRUSH HOLDER ASSEMBLY (INCLUDES ITEMS 26 - 28).....	1
26	26658-G01		BRUSH	4
27	26882-G01		BRUSH SPRING.....	4
28	26883-G01		BRUSH CONNECTOR	2
29				
30	26884-G01		KEY.....	1

STARTER / GENERATOR

THE USE OF NON U.L. PARTS WILL VOID ANY U.L. LISTING.

When ordering parts, please specify the model and serial number of the product.

* Indicates a component that is not available as an individual part.

G** Indicates consult Customer Service Department for additional information.

ITEM	PART NO.	1	2	3	4	5	DESCRIPTION	QTY.
31	*						PULLEY	1
32	26886-G01						PULLEY HARDWARE KIT (INCLUDES ITEMS 33 - 37).....	1
33	*						NUT	1
34	*						LOCK WASHER.....	1
35	*						SCREW	3
36	*						SCREW	4
37	*						SCREW	2
38	26887-G01						BRUSH 1 COVER.....	3
39	26888-G01						BRUSH 2 COVER.....	2
40	26889-G01						BOLT AND WASHER ASSEMBLY (INCLUDES ITEMS 41 - 43)	2
41	*						BOLT	2
42	*						LOCK WASHER.....	2
43	*						WASHER.....	2
44								
45								
46								
47								
48	75705-G01						FRONT STARTER BRACKET	1
49	00462-G7						BOLT, 7/16 - 14 X 7/8" LG	2
50	00566-G2						LOCK WASHER, 7/16".....	2
51								
52	00439-G2						BOLT, 5/16 - 18 X 1 1/4" LG	1
53	00559-G8						WASHER, 5/16"	2
54	11098-G6						LOCK NUT, 5/16 - 18.....	1
55								
56	75792-G01						SCREW, 1/2 - 13 X 1 1/2" LG	1
57								
58								
59								
60	75690-G01						STARTER/GENERATOR BELT	1

STARTER / GENERATOR

THE USE OF NON U.L. PARTS WILL VOID ANY U.L. LISTING.

When ordering parts, please specify the model and serial number of the product.

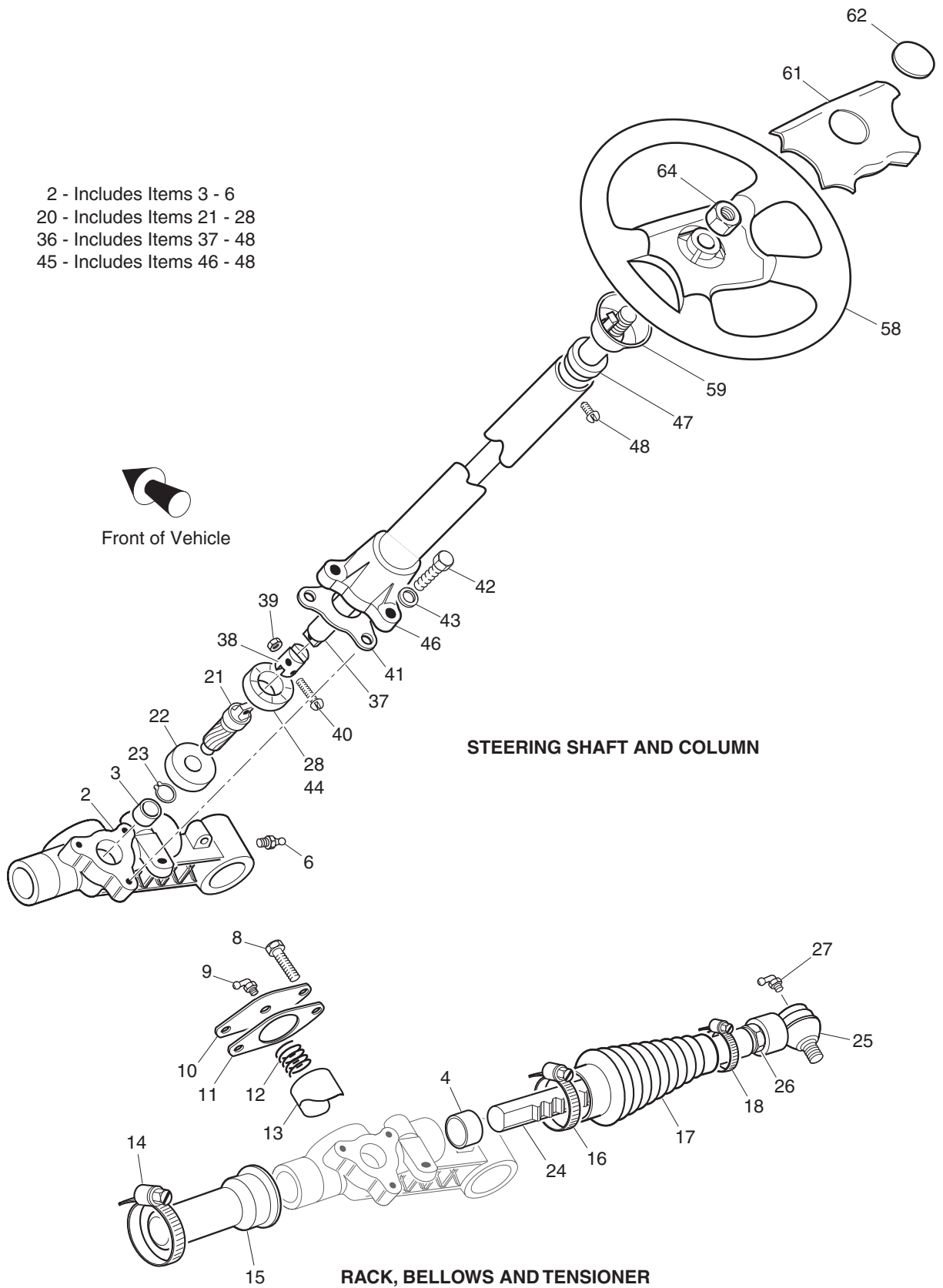
* Indicates a component that is not available as an individual part.

G** Indicates consult Customer Service Department for additional information.

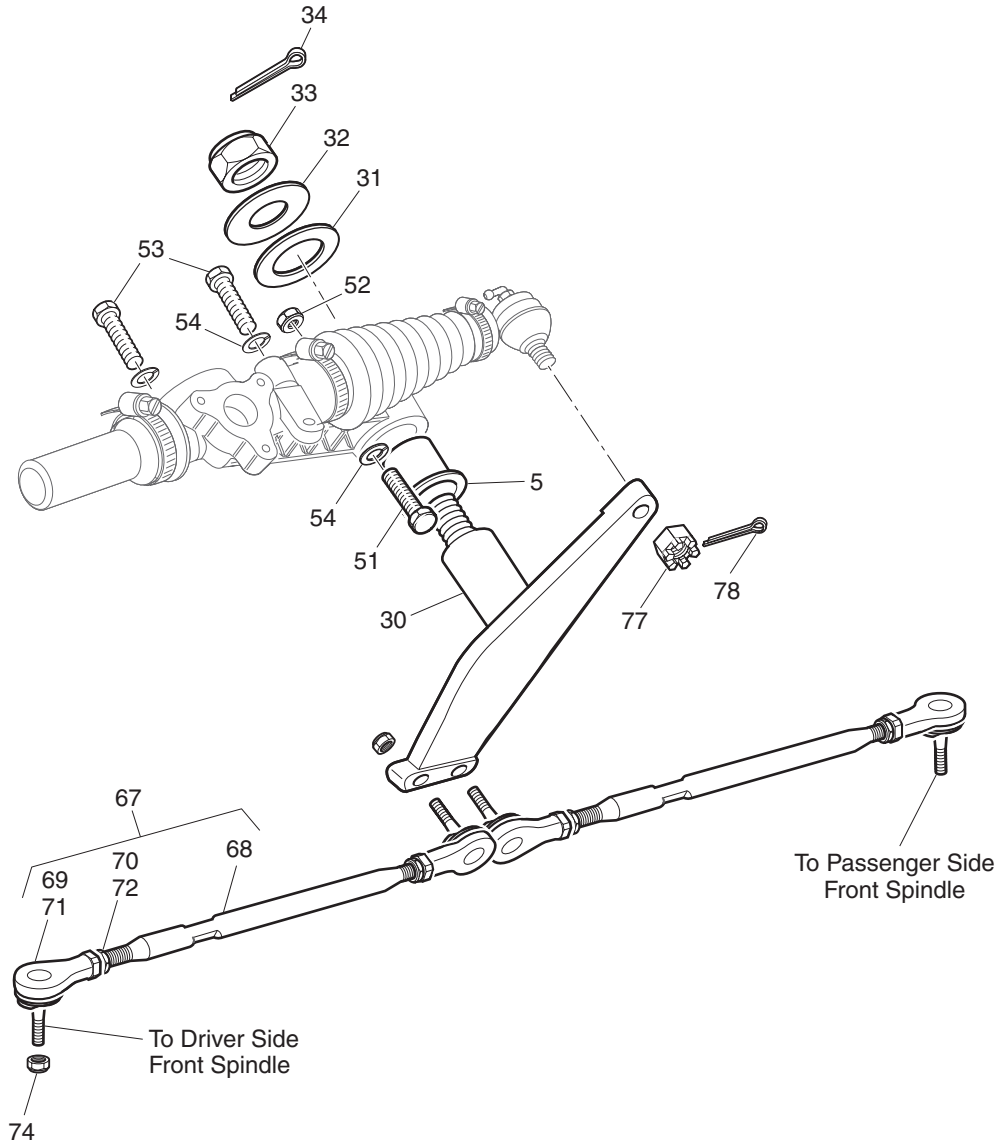
ITEM	PART NO.	1 2 3 4 5	DESCRIPTION	QTY.
61				
62	75706-G01		REAR STARTER BRACKET.....	1
63	75746-G01		SCREW, M8 - 1.25 X 20MM LG.....	2
64				
65	00631-G2		BOLT, 1/2 - 13 X 2 1/4" LG	1
66	00566-G3		LOCK WASHER, 1/2".....	1
67	00560-G3		WASHER, 1/2"	1
68	75562-G01		SPACER.....	1

STEERING

- 2 - Includes Items 3 - 6
- 20 - Includes Items 21 - 28
- 36 - Includes Items 37 - 48
- 45 - Includes Items 46 - 48



IDLER, TIE RODS AND MOUNTING



STEERING

Where applicable, THE USE OF NON UL PARTS WILL VOID ANY UL LISTING.

When ordering parts, please specify the model and serial number of the product.

* Indicates a component that is not available as an individual part.

G** Indicates consult Customer Service Department for additional information.

ITEM	PART NO.	1	2	3	4	5	DESCRIPTION	QTY.
1	70723-G02						STEERING BOX ASSEMBLY (COMPLETE).....	1
2	70175-G01						STEERING HOUSING (INCLUDES ITEMS 3 - 6).....	1
3	*						SLEEVE BEARING	1
4	*						SLEEVE BEARING	1
5	*						FLANGED BEARING	1
6	10389-G3						GREASE FITTING, STRAIGHT	1
7								
8	00426-G6						BOLT, 3/8 - 16 X 3/4" LG.....	2
9	18456-G1						GREASE FITTING, 90°	1
10	70177-G01						RACK GUIDE COVER.....	1
11	70225-G01						GASKET	1
12	70178-G01						COMPRESSION SPRING	1
13	70179-G01						RACK GUIDE.....	1
14	11391-G1						HOSE CLAMP, 1 5/16"	1
15	70041-G01						RACK COVER	1
16	11391-G1						HOSE CLAMP, 1 5/16"	1
17	70183-G01						BELLOWS.....	1
18	11391-G5						HOSE CLAMP, 13/16"	1
19								
20	70724-G01						STEERING GEAR KIT (INCLUDES ITEMS 21 - 28).....	1
21	70717-G01						GEAR PINION.....	1
22	15112-G1						BALL BEARING	1
23	70190-G01						EXTERNAL RETAINING RING.....	1
24	70718-G01						STEERING RACK	1
25	70192-G01						RACK BALL END	1
26	00544-G8						JAM NUT, 7/16 - 20	1
27	18456-G1						GREASE FITTING, 90°	1
28	70466-G01						RETAINER	1
29								
30	70184-G01						IDLER	1

STEERING

Where applicable, THE USE OF NON UL PARTS WILL VOID ANY UL LISTING.

When ordering parts, please specify the model and serial number of the product.

* Indicates a component that is not available as an individual part.

G** Indicates consult Customer Service Department for additional information.

ITEM	PART NO.	1	2	3	4	5	DESCRIPTION	QTY.
31	70216-G01						THRUST WASHER, 1 1/2"	1
32	70195-G01						THRUST WASHER, 7/8"	1
33	00734-G6						LOCK NUT, 7/8 - 9.....	1
34	00798-G8						COTTER PIN, 5/32" X 1 3/4" LG	1
35								
36	70721-G01						STEERING SHAFT/COLUMN KIT (INCLUDES ITEMS 37 - 48)	1
37	14322-G6						STEERING SHAFT.....	1
38	70558-G01						COUPLING	1
39	00550-G1						LOCK NUT, 1/4 - 20.....	2
40	70227-G01						SCREW, 1/4 - 20 X 7/8" LG.....	2
41	70223-G01						GASKET	1
42	01034-G01						BOLT, 3/8 - 16 X 1 1/4" LG WITH PATCHLOCK.....	3
43	00878-G1						LOCK WASHER, 3/8"	3
44	70466-G01						RETAINER.....	1
45	28633-G01						STEERING COLUMN KIT (INCLUDES ITEMS 46 - 48).....	1
46	*						STEERING COLUMN	1
47	28569-G01						STEERING COLUMN BUSHING	1
48	01022-G01						SCREW, #6 - 20 X 5/16" LG	1
49								
50								
51	00470-G4						BOLT, 7/16 - 20 X 2 1/2" LG	1
52	00734-G3						LOCK NUT, 7/16 - 20.....	1
53	01033-G01						BOLT, 7/16 - 14 X 1 1/4" LG WITH PATCHLOCK	2
54	00566-G2						LOCK WASHER, 7/16".....	3
55								
56								
57								
58	602980						STEERING WHEEL	1
59	71949-G01						HUB COVER	1
60								

STEERING

Where applicable, THE USE OF NON UL PARTS WILL VOID ANY UL LISTING.

When ordering parts, please specify the model and serial number of the product.

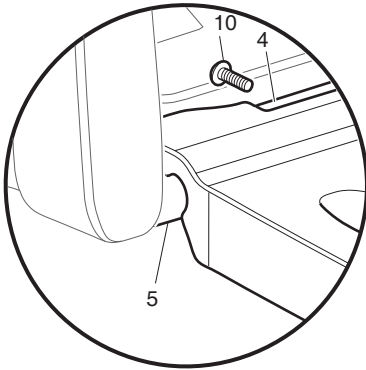
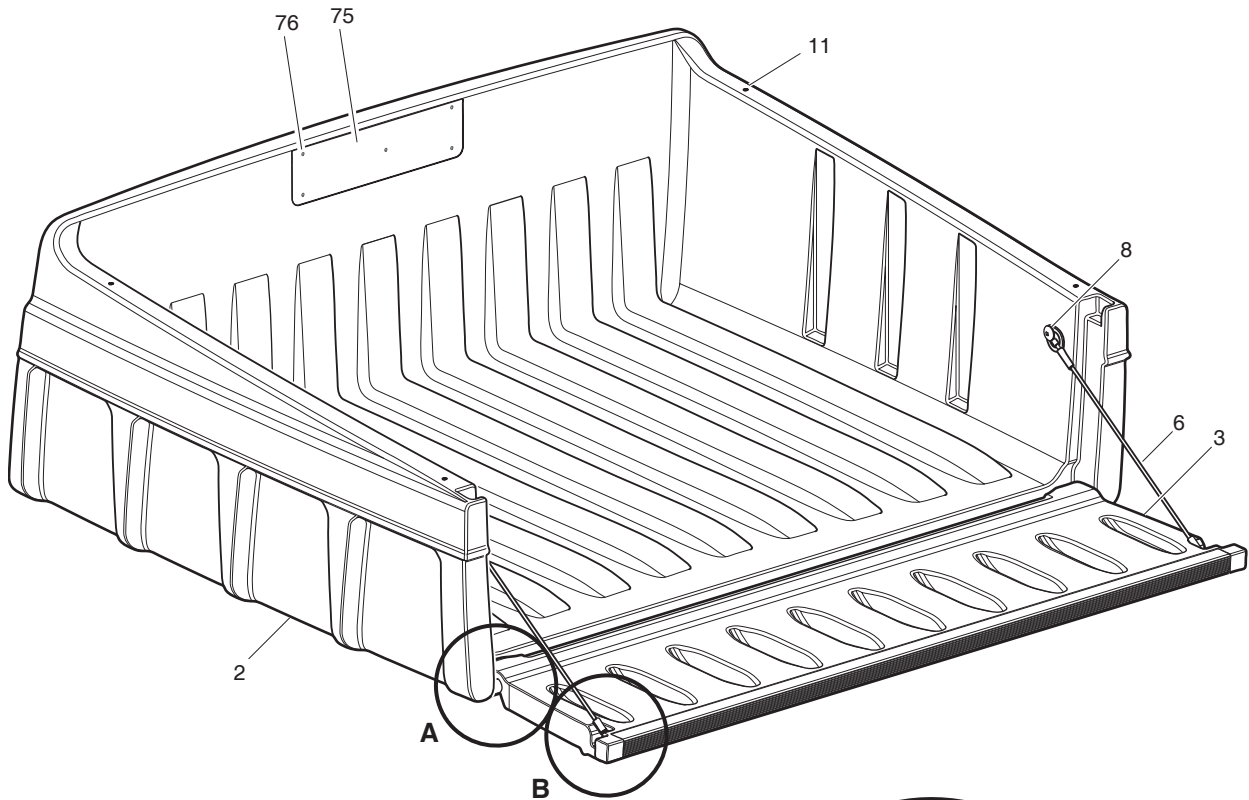
* Indicates a component that is not available as an individual part.

G** Indicates consult Customer Service Department for additional information.

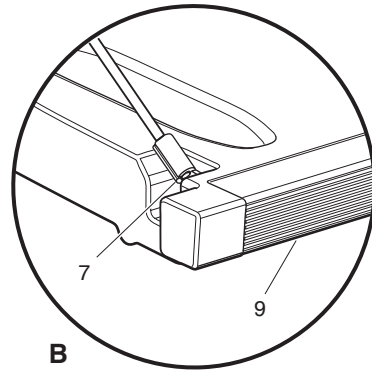
ITEM	PART NO.	1 2 3 4 5	DESCRIPTION	QTY.
61	71147-G01		COVER.....	1
62	71047-G01		LABEL (E-Z-GO)	1
63	74405-G01		LABEL (CUSHMAN).....	1
64	14390-G2		LOCK NUT, 5/8 - 18	1
65				
66				
67	70904-G04		TIE ROD ASSEMBLY (INCLUDES ITEMS 68 - 72).....	2
68	70855-G03		THREADED ROD (10 1/8" LG).....	1
69	70902-G01		TIE ROD END (LEFT HAND THREADS)	1
70	01069-G01		JAM NUT, M12 X 1.25-05 (LEFT HAND THREADS)	1
71	70902-G02		TIE ROD END (RIGHT HAND THREADS).....	1
72	01069-G02		JAM NUT, M12 X 1.25-05 (RIGHT HAND THREADS).....	1
73				
74	00734-G1		LOCK NUT, 7/16 - 14	4
75				
76				
77	50209-G2		CASTELLATED NUT, 7/16 - 20	1
78	10387-G2		COTTER PIN, 3/32" X 1" LG	1

TRUCK BED

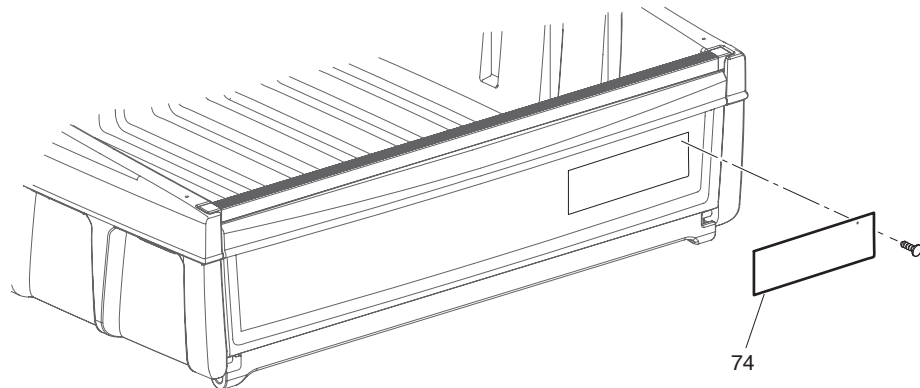
1 - INCLUDES ITEMS 2 - 11



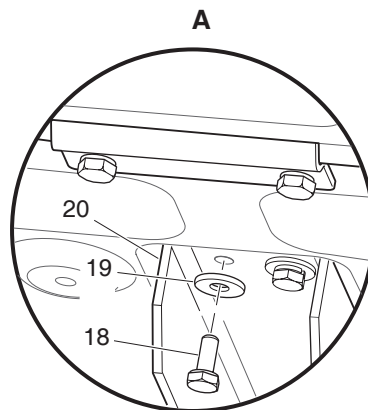
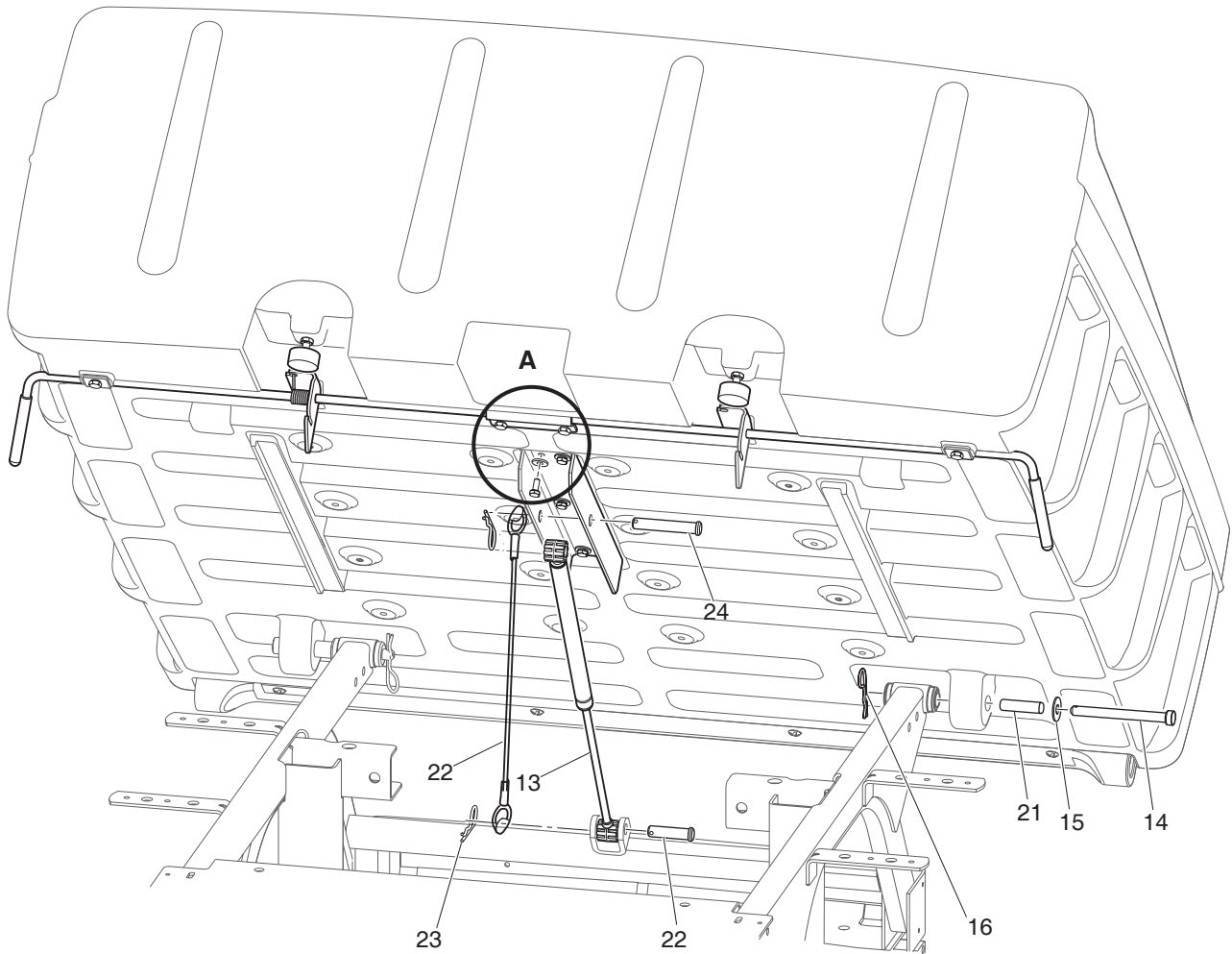
A



B

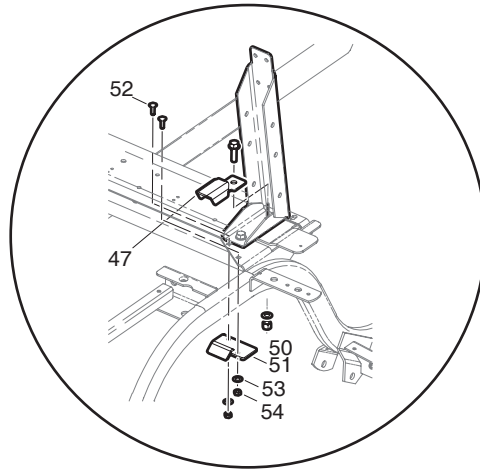


74

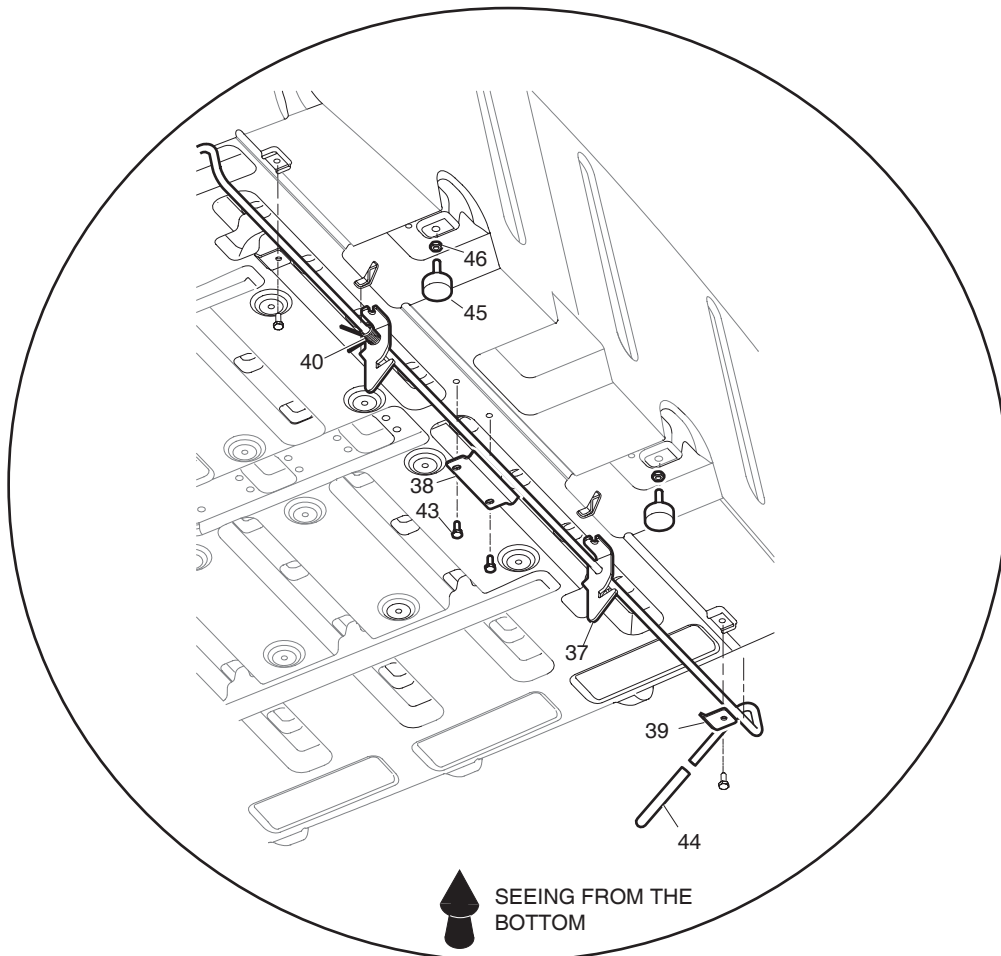


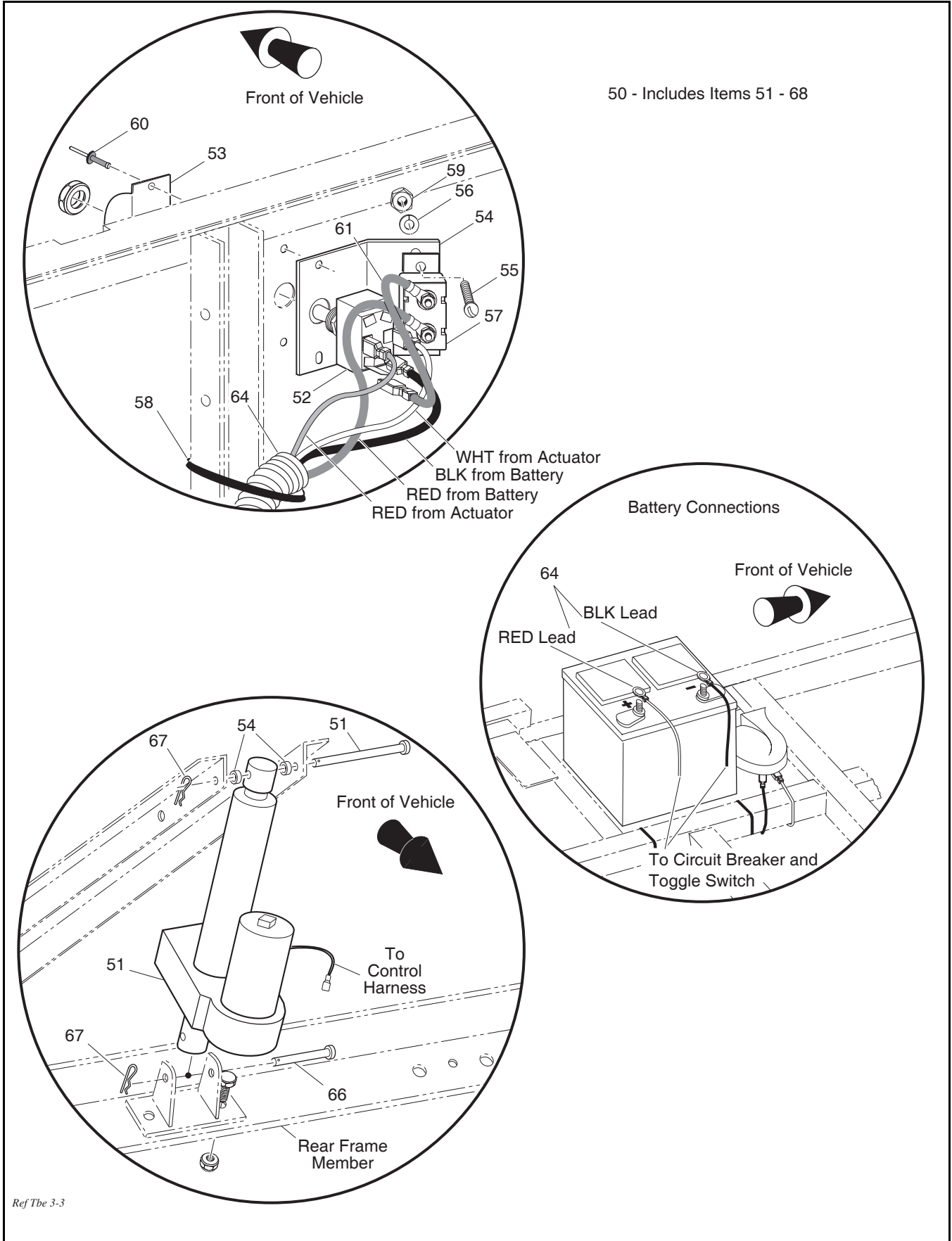
Ref Tbp 21-2

TRUCK BED



36 - INCLUDES ITEMS 37 - 47





TRUCK BED

Where applicable, THE USE OF NON UL PARTS WILL VOID ANY UL LISTING.

When ordering parts, please specify the model and serial number of the product.

* Indicates a component that is not available as an individual part.

G** Indicates consult Customer Service Department for additional information.

ITEM	PART NO.	1 2 3 4 5	DESCRIPTION	QTY.
1	73451-G01		ASSEMBLY PLASTIC BED (INCLUDES ITEMS 2 - 11)	1
2	73447-G01		PLASTIC BED 40"	1
3	73448-G01		TAILGATE 36", PLASTIC	1
4	73450-G01		ANGLE, BOWED	1
5	73454-G01		SHAFT, PIVOT	2
6	73455-G01		CABLE ASSEMBLY, TAILGATE	2
7	00415-G2		SCREW, 1/4 - 20 X 5/8" LG	4
8	73460-G01		BOLT, SHOULDER.....	2
9	73449-G01		CHANNEL, EXTRUSION.....	1
10	16705-G2		SCREW, 1/4 - 2 X 5/8" LG	4
11	16816-G5		RACHET FASTNER	4
12				
13	71537-G02		GAS SPRING	1
14	71571-G01		CLEVIS PIN.....	2
15	00571-G5		WASHER, 1/2"	2
16	21683-G1		COTTER PIN.....	2
17				
18	01118-G01		SCREW, 1/4 - 20 X 5/8" LG	8
19	00642-G7		WASHER, 1/4"	8
20	71569-G02		CHANNEL GAS SPRING.....	1
21	71570-G01		BUSHING	4
22	602904		CABLE ASSEMBLY	4
23	21683-G1		COTTER PIN.....	2
24	14443-G10		CLEVIS PIN, 1/2 X 3"	1
25	14443-G12		CLEVIS PIN, 1/2" X 2.00".....	1
26				
27				
28				
29				
30				

TRUCK BED

Where applicable, THE USE OF NON UL PARTS WILL VOID ANY UL LISTING.

When ordering parts, please specify the model and serial number of the product.

* Indicates a component that is not available as an individual part.

G** Indicates consult Customer Service Department for additional information.

ITEM	PART NO.	1	2	3	4	5	DESCRIPTION	QTY.
31								
32								
33								
34								
35								
36	71095-G02						INSTALLATION LATCH (INCLUDES ITEMS 37 - 54)	1
37	74962-G01						WELDMET LATCH BED	1
38	71477-G02						BRACKET	1
39	71099-G02						LATCH PLATE	2
40	71538-G01						TORSION SPRING	1
41								
42								
43	01118-G01						SCREW, 1/4 - 2 X 5/8" LG	4
44	71704-G01						HANDLE GRIP	2
45	70113-G01						BUMPER	2
46	11027-G1						LOCK NUT, 5/16 - 18	2
47	74947-G01						BRACKET BUMPER	2
48								
49								
50	74637-G04						ELECTRIC DUMP KIT (INCLUDES ITEMS 51 - 68)	1
51	27612-G02						ELECTRIC ACTUATOR 36 V	1
52	27680-G01						TOGGLE SWITCH	1
53	27447-G01						TOGGLE GUARD	1
54	74165-G02						CIRCUIT BREAKER MOUNTING BRACKET	1
55	00150-G4						SCREW, 10 - 24 X 1/2" LG	2
56	00565-G5						LOCK WASHER, #10	2
57	21320-G3						CIRCUIT BREAKER 15A 24V	1
58	17618-G1						WIRE TIE	8
59	00526-G3						NUT, #10 - 24	2
60	10570-G9						RIVET, 5/32 X .55	2

TRUCK BED

Where applicable, THE USE OF NON UL PARTS WILL VOID ANY UL LISTING.

When ordering parts, please specify the model and serial number of the product.

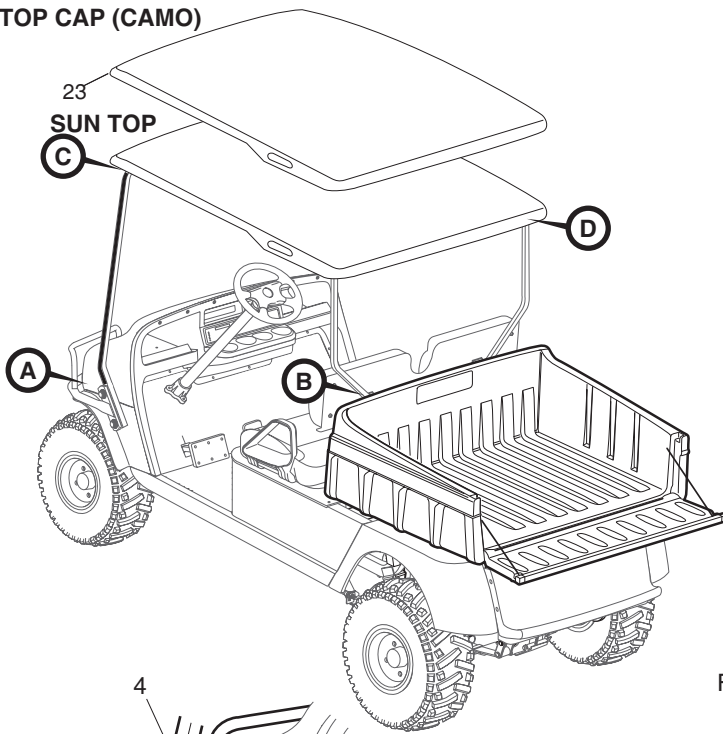
* Indicates a component that is not available as an individual part.

G** Indicates consult Customer Service Department for additional information.

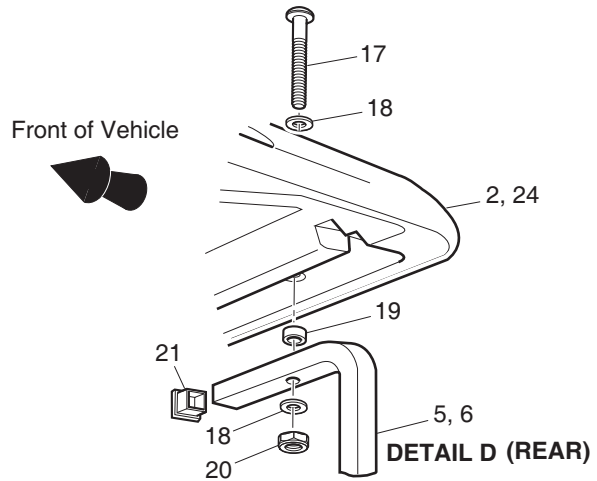
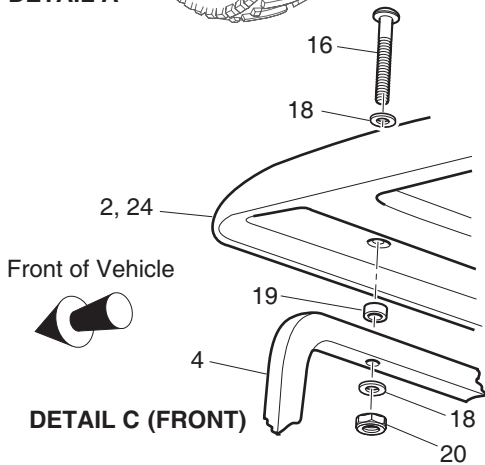
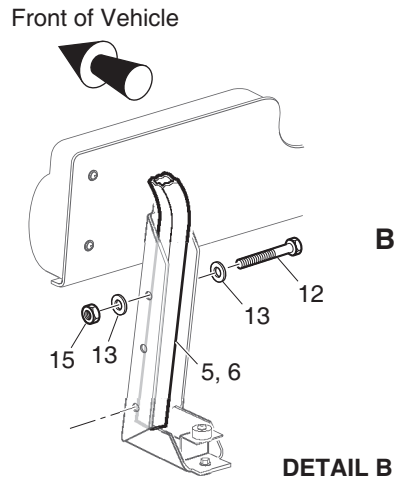
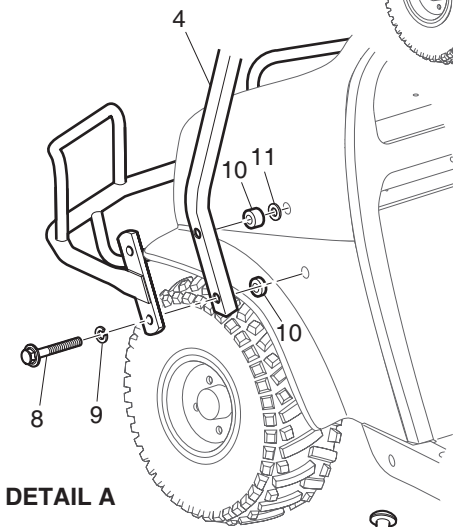
ITEM	PART NO.	1	2	3	4	5	DESCRIPTION	QTY.
61	25976-G14						14 GA WIRE (RED 5")	1
62								
63								
64	74054-G01						WIRE HARNESS (CONTROL)	1
65	14443-G10						CLEVIS PIN, 1/2" X 2 7/8" LG	1
66	14443-G11						CLEVIS PIN, 1/2" X 1 3/4" LG	1
67	21683-G1						COTTER PIN, 15/32" X 2 13/16" LG	2
68	27613-G01						SPACER	2
69								
70								
71								
72								
73								
74	600823						LABEL EZGO MPT	2
75	74821-G01						BED CAPACITY LABEL (500 LB)	1
76	71055-G01						RIVET, 3/16"	5

WEATHER PROTECTION

SUN TOP CAP (CAMO)

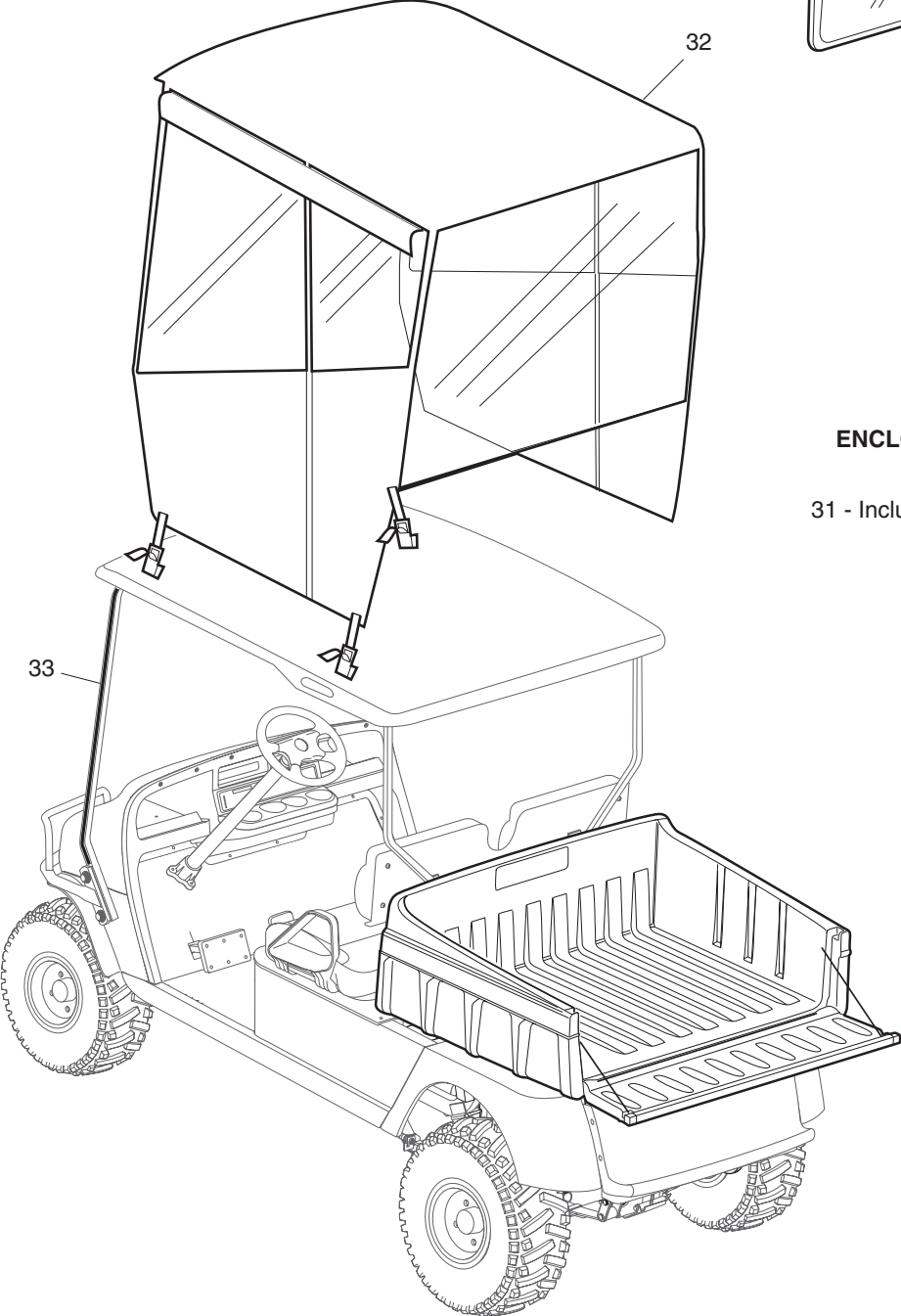
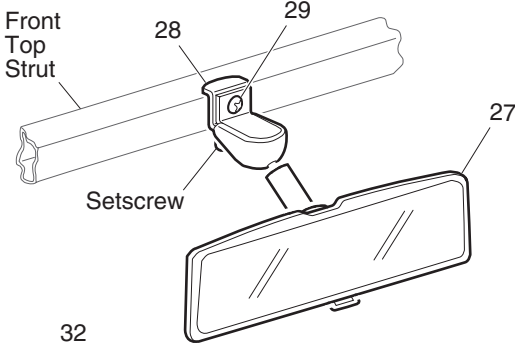


- 1 - Includes Items 2 - 21
- 3 - Includes Items 4 - 21
- 7 - Includes Items 8 - 21



REAR VIEW MIRROR

26 - Includes Items 27 - 29



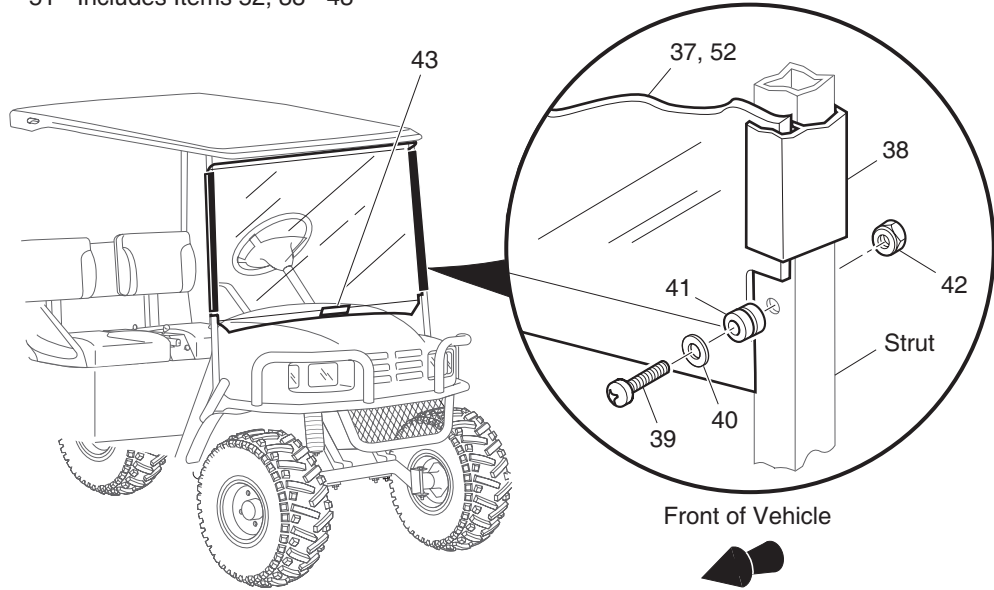
ENCLOSURE

31 - Includes Items 32, 33

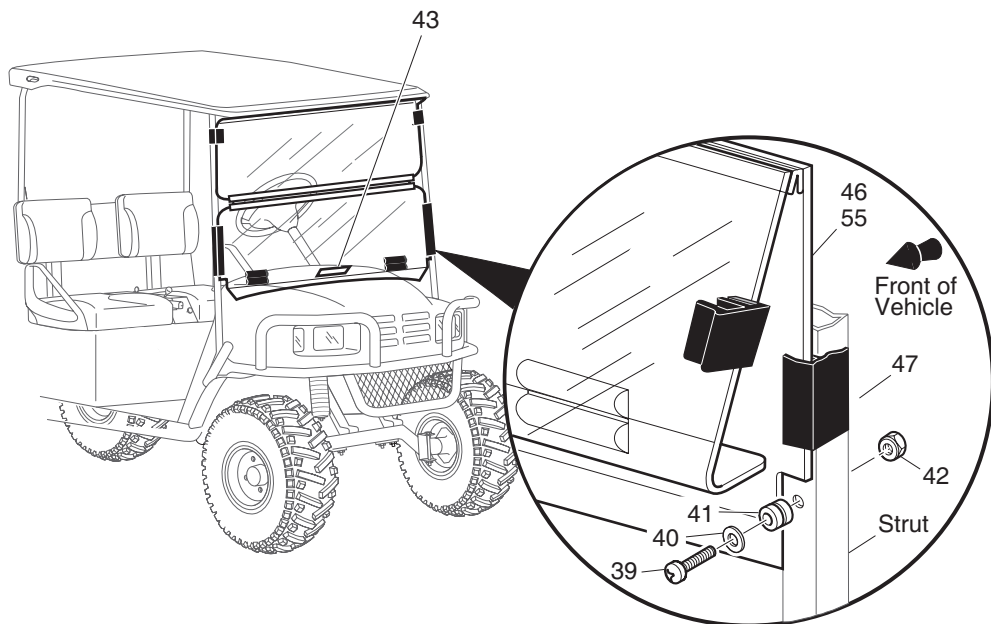
WEATHER PROTECTION

WINDSHIELDS

36 - Includes Items 37 - 43
51 - Includes Items 52, 38 - 43

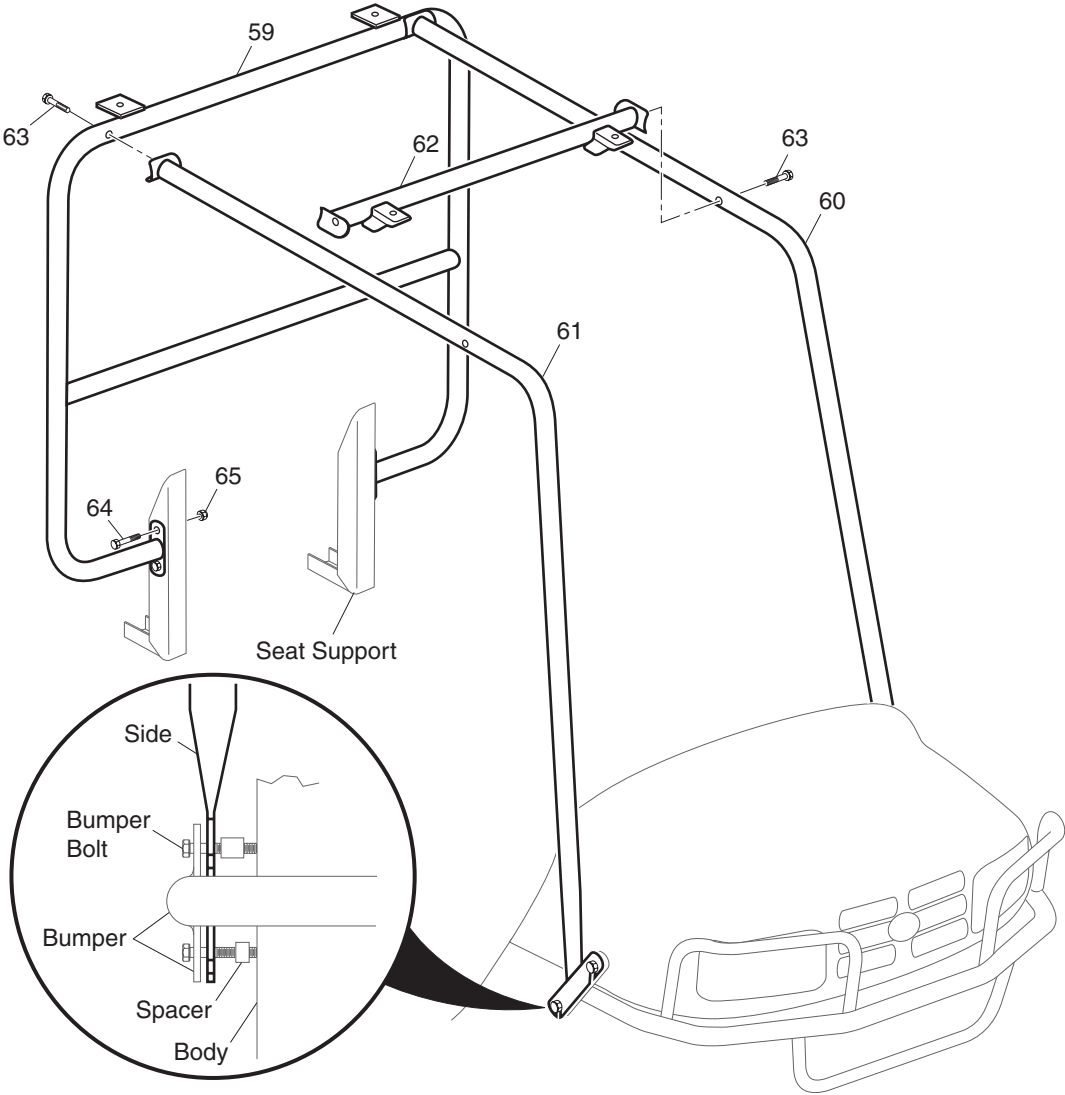


45 - Includes Items 46 - 47, 39 - 43
54 - Includes Items 55, 47, 39 - 43



Ref Wea 10-3

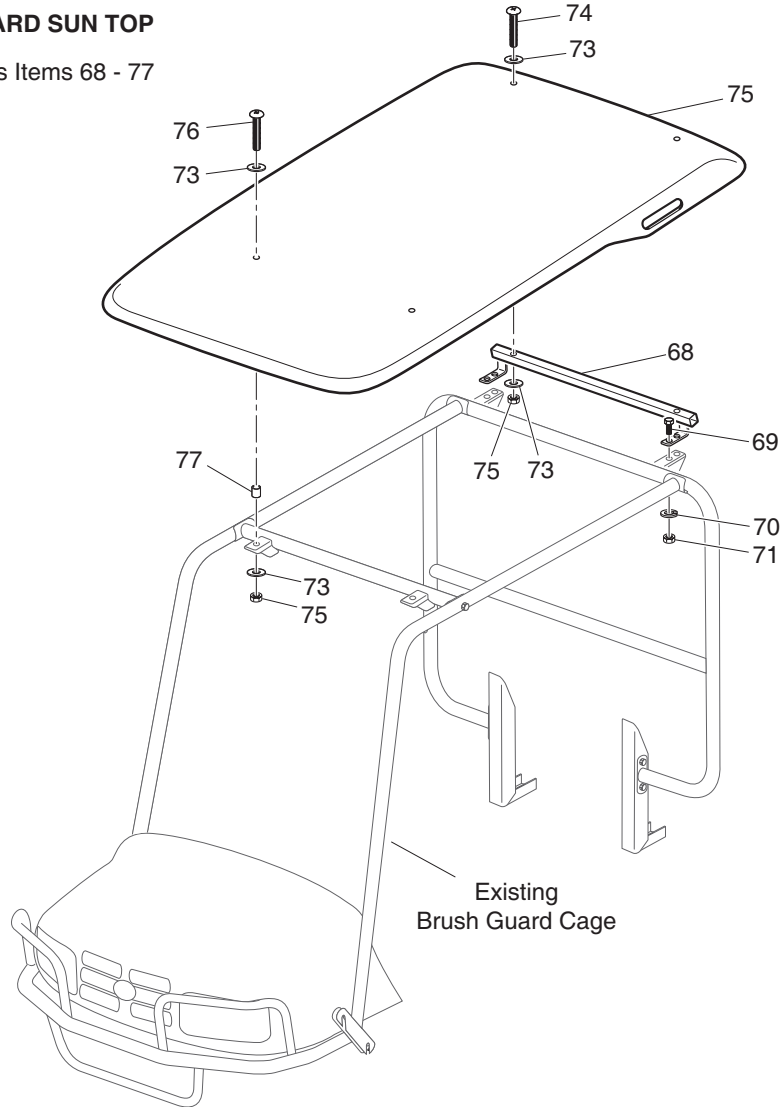
BRUSHGUARD
58 - Includes Items 59 - 65



WEATHER PROTECTION

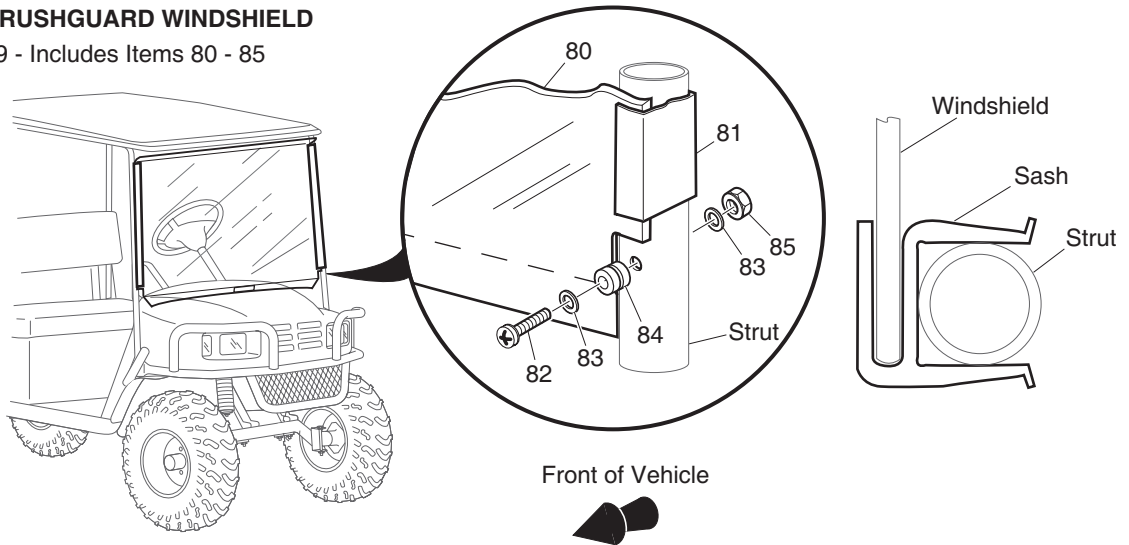
BRUSHGUARD SUN TOP

67 - Includes Items 68 - 77



BRUSHGUARD WINDSHIELD

79 - Includes Items 80 - 85



Front of Vehicle

Ref Wea 10-5

WEATHER PROTECTION

THE USE OF NON U.L. PARTS WILL VOID ANY U.L. LISTING.

When ordering parts, please specify the model and serial number of the product.

* Indicates a component that is not available as an individual part.

G** Indicates consult Customer Service Department for additional information.

ITEM	PART NO.	1 2 3 4 5	DESCRIPTION	QTY.
1	75040-G0*		SUN TOP KIT (INCLUDES ITEMS 2 -21)	1
2	27069-G0*		SUN TOP	1
3	75044-G06		HARDWARE KIT (INCLUDES ITEMS 4 - 21).....	1
4	75045-G05		FRONT STRUT	1
5	75838-G03		REAR STRUT (DRIVER SIDE)	1
6	75838-G04		REAR STRUT (PASSENGER SIDE)	1
7	75465-G01		FASTENING HARDWARE KIT (INCLUDES ITEMS 8 - 21).....	1
8	00440-G2		BOLT, 5/16 - 18 X 2 1/4" LG	4
9	00905-G8		LOCK WASHER, 5/16"	4
10	75048-G01		SPACER, 1/2"	2
11	00570-G2		WASHER, 5/16"	6
12	00685-G7		BOLT, 5/16 - 18 X 1 3/4" LG (STAINLESS STEEL)	4
13	01110-G03		WASHER, 5/16" (STAINLESS STEEL)	8
14				
15	11098-G6		LOCK NUT, 5/16 - 18 (STAINLESS STEEL)	4
16	00753-G5		SCREW, 1/4 - 20 X 2" LG (STAINLESS STEEL)	2
17	00753-G6		SCREW, 1/4 - 20 X 2 1/4" LG (STAINLESS STEEL)	2
18	01110-G01		WASHER, 1/4" (STAINLESS STEEL)	8
19	75051-G01		PLASTIC SPACER	4
20	00891-G2		LOCK NUT, 1/4 - 20 (STAINLESS STEEL)	4
21	19853-G1		END CAP, 1"	2
22				
23	75378-G0*		SUN TOP CAP (CAMO) (OVER ITEM 1).....	1
24				
25				
26	19528-G2		REAR VIEW MIRROR KIT (INCLUDES ITEMS 27 - 29)	1
27	19496-G1		REAR VIEW MIRROR	1
28	19502-G2		SUPPORT BRACKET.....	1
29	19527-G1		SCREW, #8 - 32 X 5/8" LG (STAINLESS STEEL)	1
30				

WEATHER PROTECTION

Replacement parts for the windshield may be obtained from Eagle Parts, Inc. 1811 Wilkinson Rd. Augusta, GA 30904. Telephone (706) 729-9911 or FAX (706) 729-9955

* Indicates a component that is not available as an individual part.

G** Indicates consult Customer Service Department for additional information.

ITEM	PART NO.	1	2	3	4	5	DESCRIPTION	QTY.
31	75367-G**						3 SIDED SOFT ENCLOSURE KIT (INCLUDES ITEMS 32 - 33).....	1
32	*						ENCLOSURE	1
33	*						VELCRO	AR
34								
35								
36	71966-G01						WINDSHIELD KIT (FULL POLYCARBONATE) (REQUIRES SUN TOP KIT) ...	1
37	71954-G01						WINDSHIELD (FULL) (LEXAN).....	1
38	EGWHC12						SASH, 26" LG	2
39	EGWHS12						SCREW, 1/4 - 20 X 1 3/4" LG (STAINLESS STEEL)	2
40	EGWHG12						WASHER, 1/4" (STAINLESS STEEL)	2
41	EGWHG13						RUBBER GROMET	2
42	EGWHN12						LOCK NUT, 1/4 - 20 (STAINLESS STEEL).....	2
43	EGWHL14						SAFETY LABEL.....	1
44								
45	71966-G02						WINDSHIELD KIT (FOLDING POLYCARBONATE (REQUIRES SUN TOP KIT)	1
46	71955-G01						WINDSHIELD (FOLD DOWN) (LEXAN).....	1
47	EGWHC10						SASH, 12" LG	2
48								
49								
50								
51	71966-G03						WINDSHIELD KIT (FULL ACRYLIC) (REQUIRES SUN TOP KIT)	1
52	71960-G01						WINDSHIELD (FULL) (ACRYLIC).....	1
53								
54	71966-G04						WINDSHIELD KIT (FOLDING ACRYLIC) (REQUIRES SUN TOP KIT)	1
55	71961-G01						WINDSHIELD (FOLD DOWN) (ACRYLIC).....	1
56								
57								
58	74479-G02						BRUSH GUARD KIT (INCLUDES ITEMS 59 - 65)	1
59	74465-G03						BACK.....	1
60	74459-G03						SIDE (DRIVER SIDE)	1

WEATHER PROTECTION

THE USE OF NON U.L. PARTS WILL VOID ANY U.L. LISTING.

When ordering parts, please specify the model and serial number of the product.

* Indicates a component that is not available as an individual part.

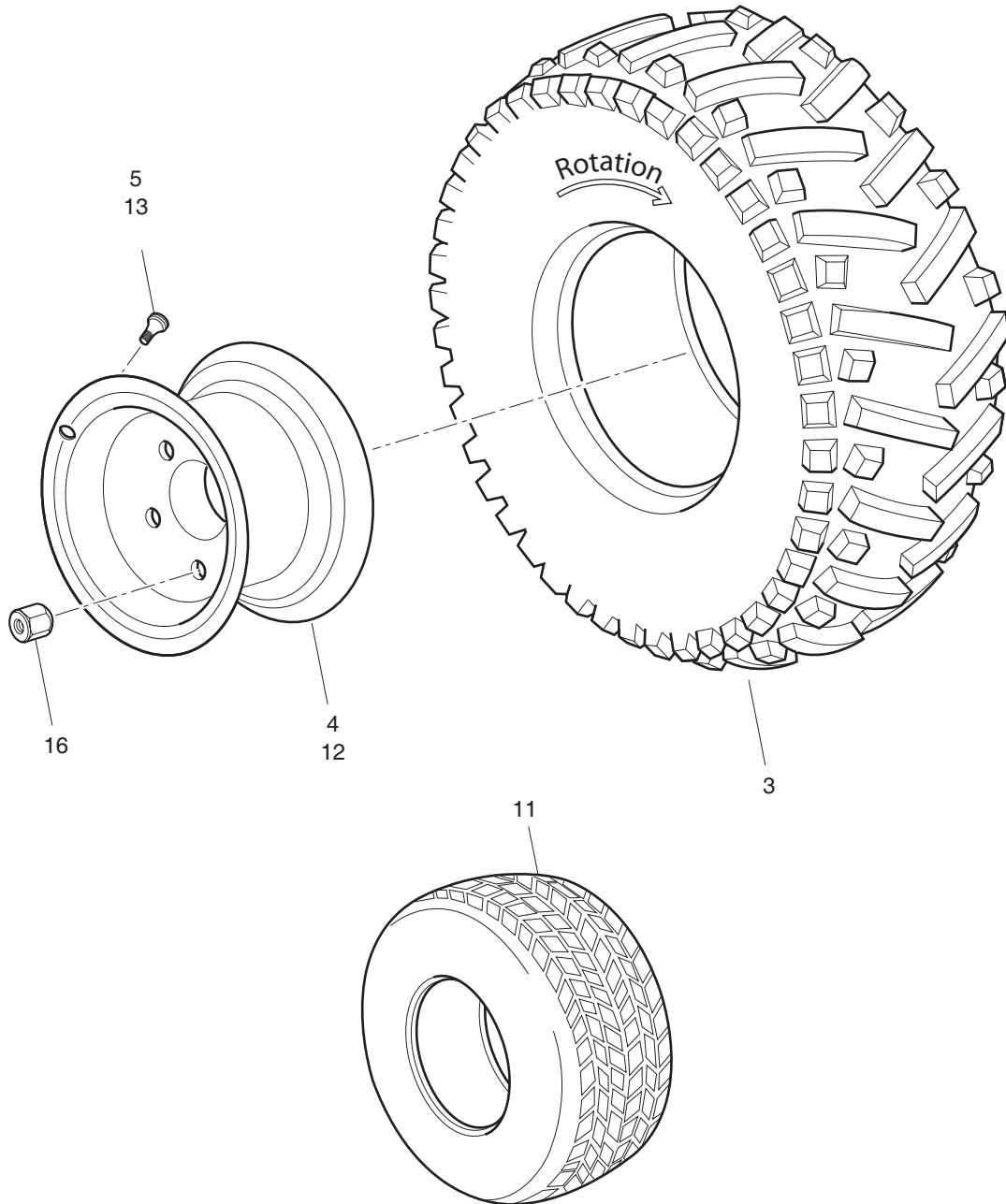
G** Indicates consult Customer Service Department for additional information.

ITEM	PART NO.	1	2	3	4	5	DESCRIPTION	QTY.
61	74460-G03						SIDE (PASSENGER SIDE)	1
62	74462-G03						TOP.....	1
63	00428-G2						BOLT, 3/8 - 16 X 2 1/4" LG.....	4
64	00438-G7						BOLT, 5/16 - 18 X 7/8" LG.....	4
65	11098-G6						LOCK NUT, 5/16 - 18	4
66								
67	74496-G0*						SUN TOP KIT (WITH BRUSH GUARD) (INCLUDES ITEMS 68 - 77).....	1
68	74466-G03						MOUNTING BRACKET	1
69	00438-G5						BOLT, 5/16 - 18 X 5/8" LG.....	4
70	00565-G8						LOCK WASHER, 5/16"	4
71	00532-G3						NUT, 5/16 - 18	4
72	74497-G0*						SUN TOP	1
73	00559-G7						WASHER, 1/4"	8
74	00753-G6						SCREW, 1/4 - 20 X 2 1/4" LG (STAINLESS STEEL)	2
75	00891-G2						LOCK NUT, 1/4 - 20.....	4
76	00753-G7						SCREW, 1/4 - 20 X 2 1/2" LG.....	2
77	74469-G01						SPACER	2
78								
79	74542-G01						WINDSHIELD KIT, POLYCARBONATE (WITH BRUSH GUARD) (Replacement Parts available from Eagle Parts, 706-790-6687)	1
80	110-735A						WINDSHIELD (POLYCARBONATE)	1
81	EGWHC12						SASH, 26" LG	2
82	110-072E						SCREW, 1/4 - 20 X 1/2" LG (STAINLESS STEEL)	2
83	EGWHG12						WASHER, 1/4" (STAINLESS STEEL)	4
84	EGWHG13						RUBBER GROMET	2
85	EGWHN12						LOCK NUT, 1/4 - 20 (STAINLESS STEEL)	2

WHEELS AND TIRES

- 1 - Includes Items 3, 4, 5
- 2 - Includes Items 3, 4, 5
- 10 - Includes Items 11, 12, 13

(Style of tire may differ from tire shown)

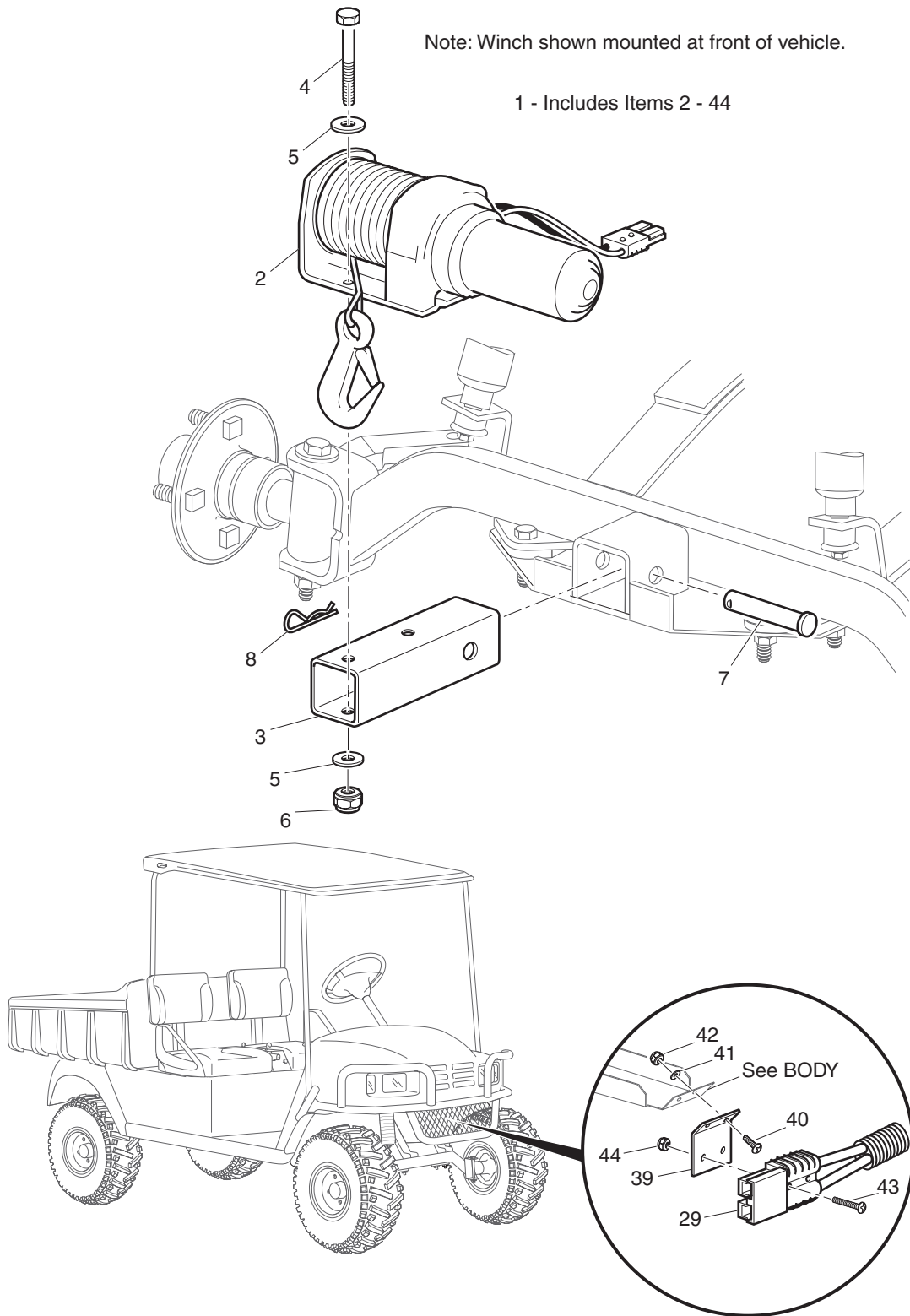


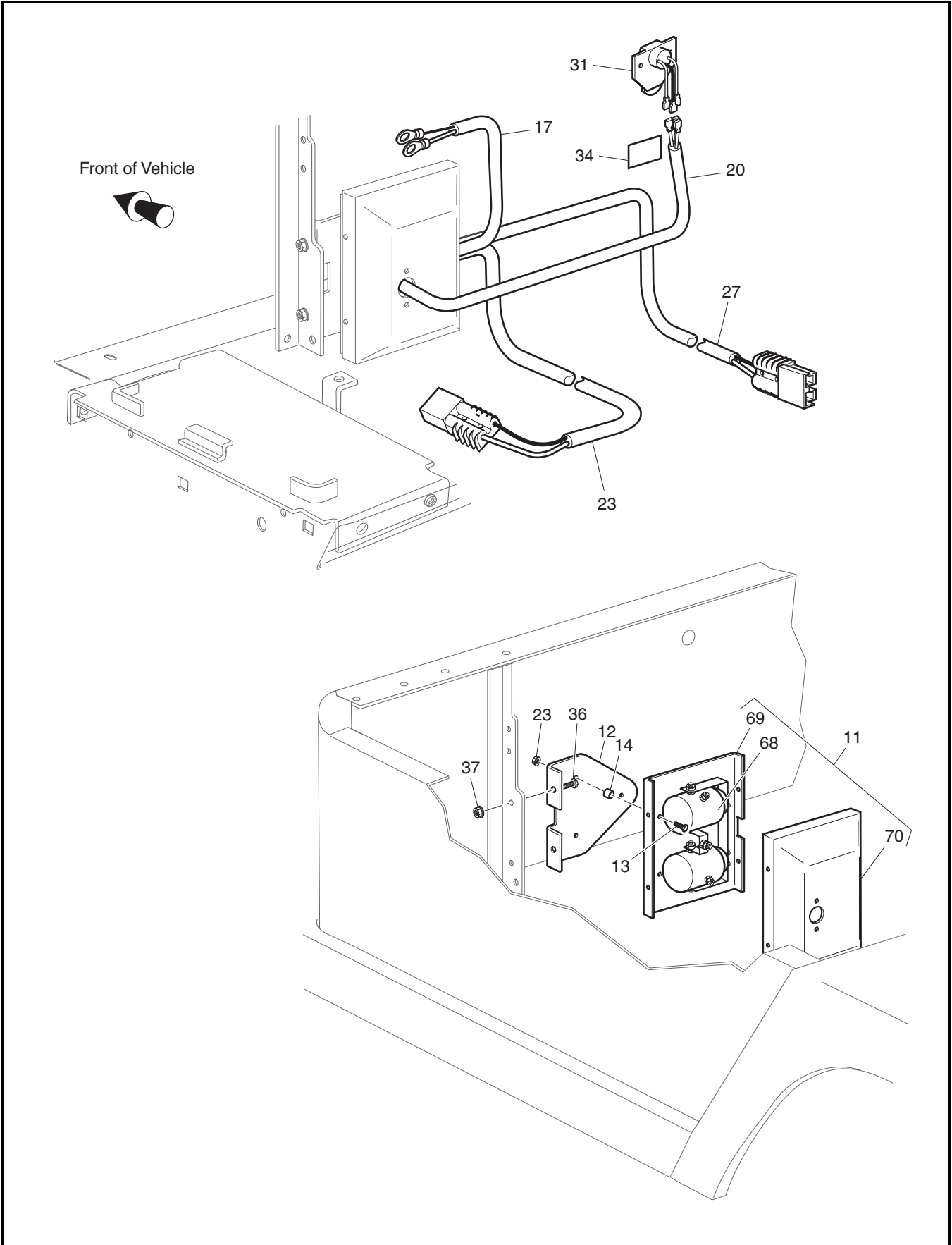
WHEELS AND TIRES

THE USE OF NON U.L. PARTS WILL VOID ANY U.L. LISTING.
 When ordering parts, please specify the model and serial number of the product.
 * Indicates a component that is not available as an individual part.
 G** Indicates consult Customer Service Department for additional information.

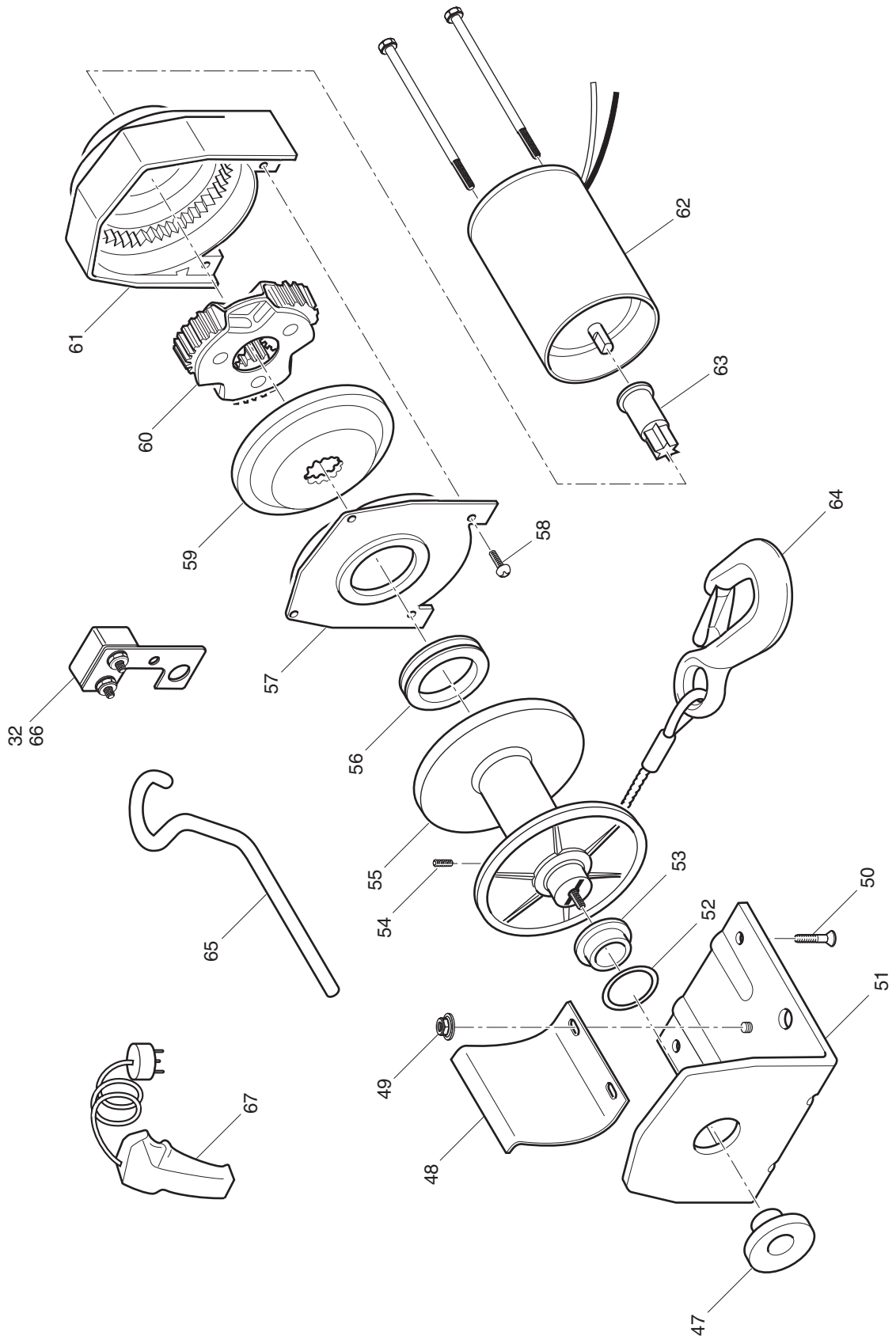
ITEM	PART NO.	1	2	3	4	5	DESCRIPTION	QTY.
1	28630-G04						BLACK WHEEL AND STRYKER® 1 TIRE ASSEMBLY (DRIVER SIDE) (INCLUDES ITEMS 3, 4, 5)	AR
2	28630-G05						BLACK WHEEL AND STRYKER® 1 TIRE ASSEMBLY (PASSENGER SIDE) (INCLUDES ITEMS 3, 4, 5).....	AR
3	28630-G01						TIRE, 22 X 9 - 10 STRYKER® 1	1
4	15172-G02						WHEEL RIM, BLACK (4 LUG)	1
5	11657-G1						VALVE STEM	1
6								
7								
8								
9								
10	28442-G03						BLACK WHEEL AND TURF SAVER® TIRE ASSEMBLY (ITEMS 11, 12, 13) ...	AR
11	28442-G02						TIRE, 20 X 10 - 10 TURF SAVER®	1
12	15172-G02						WHEEL RIM, BLACK (4 LUG)	1
13	11657-G1						VALVE STEM	1
14								
15								
16	14723-G1						LUG NUT, 1/2 - 20	AR

WINCH





WINCH



When ordering parts, please specify the model and serial number of the product.

* Indicates a component that is not available as an individual part.

G** Indicates consult Customer Service Department for additional information.

ITEM	PART NO.	1 2 3 4 5	DESCRIPTION	QTY.
1	74259-G04		WINCH KIT (INCLUDES ITEMS 2 - 44)	1
2	600792		WINCH ASSEMBLY, T1500	1
3	74271-G01		WINCH MOUNTING TUBE.....	1
4	00440-G6		BOLT, 5/16 - 18 X 2 3/4" LG	2
5	00571-G2		WASHER, 5/16"	4
6	00891-G3		LOCK NUT, 5/16 - 18.....	2
7	21317-G1		CLEVIS PIN, 5/8" x 3" LG	1
8	21683-G1		COTTER PIN, 15/32" X 2 13/16" LG	1
9				
10	74286-G03		REMOTE SOLENOID (INCLUDES ITEMS 11 - 32)	1
11	74256-G02		SOLENOID KIT	1
12	74326-G01		MOUNTING BRACKET	1
13	00414-G6		BOLT, 1/4 - 20 X 3/4" LG	3
14	23726-G1		SPACER, 1/4"	3
15	14390-G4		LOCK NUT, 1/4 - 20	3
16				
17	74327-G01		WIRE HARNESS (SOLENOID - BATTERY).....	1
18	18833-G1		FLEX LOOM, 13" (BULK)	1
19				
20	600801		WIRE HARNESS (SOLENOID - RECEPTACLE).....	1
21	20436-G1		FLEX LOOM, 4" (BULK)	1
22				
23	600799		WIRE HARNESS (SOLENOID - FRONT)	1
24	18833-G1		FLEX LOOM, 84" (BULK)	1
25	73235-G01		CONNECTOR.....	1
26				
27	600798		WIRE HARNESS (SOLENOID - REAR) (INCLUDES 28, 29).....	1
28	18833-G1		FLEX LOOM, 49" (BULK)	1
29	73235-G01		CONNECTOR.....	1
30				

WINCH

When ordering parts, please specify the model and serial number of the product.

* Indicates a component that is not available as an individual part.

G** Indicates consult Customer Service Department for additional information.

ITEM	PART NO.	1	2	3	4	5	DESCRIPTION	QTY.
31	600482						RECEPTACLE WITH LEADS (GREEN, WHITE, BLACK)	1
32	*						CIRCUIT BREAKER WITH BRACKET.....	1
33								
34	71489-G01						LABEL (READ INSTRUCTIONS)	1
35								
36	00414-G5						BOLT, 1/4 - 20 X 5/8" LG	2
37	14390-G4						LOCK NUT, 1/4 - 20.....	2
38								
39	74289-G01						CONNECTOR MOUNT PLATE	1
40	00740-G4						SCREW, #10 - 32 x 1/2" LG (STAINLESS STEEL).....	2
41	00559-G5						WASHER, #10	2
42	00921-G8						LOCK NUT, #10 - 32.....	2
43	00156-G8						SCREW, #10 - 32 X 1" LG.....	2
44	00526-G4						LOCK NUT, #10 - 32.....	2
45								
46							<p>The following items are replacement components for the winch. For service or replacement parts, contact Superwinch, Inc., Winch Drive, Putnam, CT 06260 Phone: (860) 928-7787, FAX: (860) 928-1143</p> <p>Always provide the following information when requesting information or ordering replacement parts:</p> <p>Winch Part Number: T1500 Serial Number: (found on housing) Part Number and Description</p>	
47	87-10490						KNOB ASSEMBLY, T-SERIES F/W	1
48	87-22381						TENSION PLATE.....	1
49	87-23149-05						NUT, HEX, FLANGED, M5 X 0.8.....	2
50	89-22291-01						SCREW, ST HEX SKY FH, M6 X 1 X 20.....	2
51	87-22394						BASEPLATE ASSEMBLY, T-SERIES	1
52	AS REQ'D						WASHER, .020" OR .030" THICK	A/R
53	87-10466						BUSHING, T-SERIES	1

When ordering parts, please specify the model and serial number of the product.
 * Indicates a component that is not available as an individual part.
 G** Indicates consult Customer Service Department for additional information.

ITEM	PART NO.	1	2	3	4	5	DESCRIPTION	QTY.
54	87-23309-01						SET SCREW, M5 X 0.8 X 6.....	1
55	87-22397						DRUM ASSEMBLY.....	1
56	87-10470						DRUM SUPPORT BUSHING	1
57	87-33257						DRUM SUPPORT PLATE	1
58	87-23030-10						SCREW, ST PAN HEAD, M4 X 0.7 X 10.....	4
59	87-33251						ROTATOR GEAR, T-SERIES.....	1
60	87-22380						CARRIER ASSEMBLY, T-SERIES.....	1
61	87-22396						STATIONARY GEAR HOUSING ASSEMBLY, T-SERIES	1
62	87-33249						MOTOR, 12 VOLT	1
63	87-22401						MOTOR PINION GEAR	1
64	1535A						WIRE ROPE AND HOOK ASSEMBLY, 5/32" X 25 FEET	1
65	89-32300						HANSAVER BAR	1
66	90-22873-03						CIRCUIT BREAKER ASSEMBLY, 12 VOLT, T-SERIES.....	1
67	90-22117						REMOTE CONTROL ASSEMBLY.....	1
68	92-20172						SOLENOID, 12 VOLT	2
69	90-32070						SOLENOID BACK PLATE	1
70	90-31079						SOLENOID COVER.....	1

OPTIONS/ACCESSORIES

OPTIONS/ACCESSORIES

OPTIONS/ACCESSORIES

ITEM	KIT NO.	COMMENTS
ACCESSORY LIST	KIT NO.	LOCATION IN MANUAL
ASHTRAY KIT	75109-G03	See BODY
BRUSHGUARD	74479-G02	See WEATHER PROTECTION
BRUSHGUARD SUN TOP	74496-G0*	See WEATHER PROTECTION
BRUSHGUARD WINDSHIELD.....	74542-G01	See WEATHER PROTECTION
REAR BASKET	71449-G01	
FRONT BASKET	71065-G02	
HITCH	74492-G0*	See BODY
GLOVE BOX DOOR	75459-G0*	See BODY
GUN HOLDER	74365-G01	
HOUR METER KIT	75114-G06	See ELECTRICAL SYSTEM
REAR VIEW MIRROR KIT (REQUIRES SUN TOP KIT).....	19528-G2	See WEATHER PROTECTION
SOFT ENCLOSURE (3 SIDED).....	75367-G0*	See WEATHER PROTECTION
SUN TOP KIT	75040-G0*	See WEATHER PROTECTION
SUN TOP CAP (CAMO)	75378-G02	See WEATHER PROTECTION
TURN SIGNAL.....	17867-G1	See ELECTRICAL SYSTEM
WINCH.....	74259-G04	See WINCH
WINDSHIELD KIT (REQUIRES SUN TOP KIT)	71966-G0*	See WEATHER PROTECTION
WINDSHIELD KIT (FOLD DOWN) (REQUIRES SUN TOP KIT).....	71966-G0*	See WEATHER PROTECTION



A Textron Company

E-Z-GO Division Of Textron, Inc.,
1451 Marvin Griffin Road, Augusta, Georgia USA 30906-3852

TO CONTACT US

North America:

Technical Assistance & Warranty Phone: 1-800-774-3946, FAX: 1-800-448-8124
Service Parts Phone: 1-888-GET-EZGO (1-888-438-3946), FAX: 1-800-752-6175

International:

Phone: 010-1-706-798-4311, FAX: 010-1-706-771-4609

Certified ISO 9001 / ISO 14001 by



Copyrighted Material
This manual may not be reproduced in whole or
in part without the express permission of
E-Z-GO Division of Textron, Inc.
Technical Communications Department